



US00D938861S

(12) **United States Design Patent**
Jia et al.

(10) **Patent No.:** **US D938,861 S**

(45) **Date of Patent:** **** Dec. 21, 2021**

(54) **INTELLIGENT DEVICE**

- (71) Applicant: **PowerVision Tech (SuZhou) Ltd.,**
Changshu (CN)
- (72) Inventors: **Junjie Jia,** Changshu (CN); **Liye Chen,**
Changshu (CN)
- (73) Assignee: **Powervision (Suzhou) Technology Co.,**
Ltd., Changshu (CN)
- (**) Term: **15 Years**
- (21) Appl. No.: **29/745,265**
- (22) Filed: **Aug. 5, 2020**

Related U.S. Application Data

- (62) Division of application No. 29/707,762, filed on Oct. 1, 2019, now Pat. No. Des. 900,675.

Foreign Application Priority Data

- (30) Apr. 1, 2019 (CN) 201910257812.7
- May 20, 2019 (CN) 201910426335.2
- (Continued)

- (51) **LOC (13) Cl.** **12-02**
- (52) **U.S. Cl.**
- USPC **D12/16.1**

- (58) **Field of Classification Search**
- USPC D12/1-4, 16.1, 319-345; D21/436, 441,
D21/443, 444, 446, 447, 448, 449, 450,
D21/451, 452, 453, 454
- (Continued)

(56) **References Cited**

U.S. PATENT DOCUMENTS

- D532,809 S * 11/2006 Shih D16/218
- D760,624 S * 7/2016 Balaesque D12/16.1
- (Continued)

OTHER PUBLICATIONS

PowerEgg X by PowerVision. copyright of webpage 2021. no visible publication date. found online [May 26, 2021] <https://www.powervision.me/en/product/powereggx>.*

Primary Examiner — Marissa J Cash

(74) *Attorney, Agent, or Firm* — Winston Hsu

(57) **CLAIM**

The ornamental design for an intelligent device, as shown and described.

DESCRIPTION

FIG. 1 is a top, front, and right side perspective view of an intelligent device showing our new design;

FIG. 2 is a bottom, rear, and left side perspective view thereof;

FIG. 3 is a front elevation view thereof;

FIG. 4 is a rear elevation view thereof;

FIG. 5 is a left side elevation view thereof;

FIG. 6 is a right side elevation view thereof;

FIG. 7 is a top plan view thereof;

FIG. 8 is a bottom plan view thereof;

FIG. 9 is a perspective view of the intelligent device, shown in condition of use with a wristband;

FIG. 10 is another perspective view of FIG. 9;

FIG. 11 is a front elevation view of FIG. 9;

FIG. 12 is a rear elevation view of FIG. 9;

FIG. 13 is a left side elevation view of FIG. 9;

FIG. 14 is a right side elevation view of FIG. 9;

FIG. 15 is a top plan view of FIG. 9;

FIG. 16 is a bottom plan view of FIG. 9;

FIG. 17 is a perspective view of the intelligent device, shown in condition of use with a wristband and a tripod adaptor;

FIG. 18 is another perspective view of FIG. 17;

FIG. 19 is a front elevation view of FIG. 17;

FIG. 20 is a rear elevation view of FIG. 17;

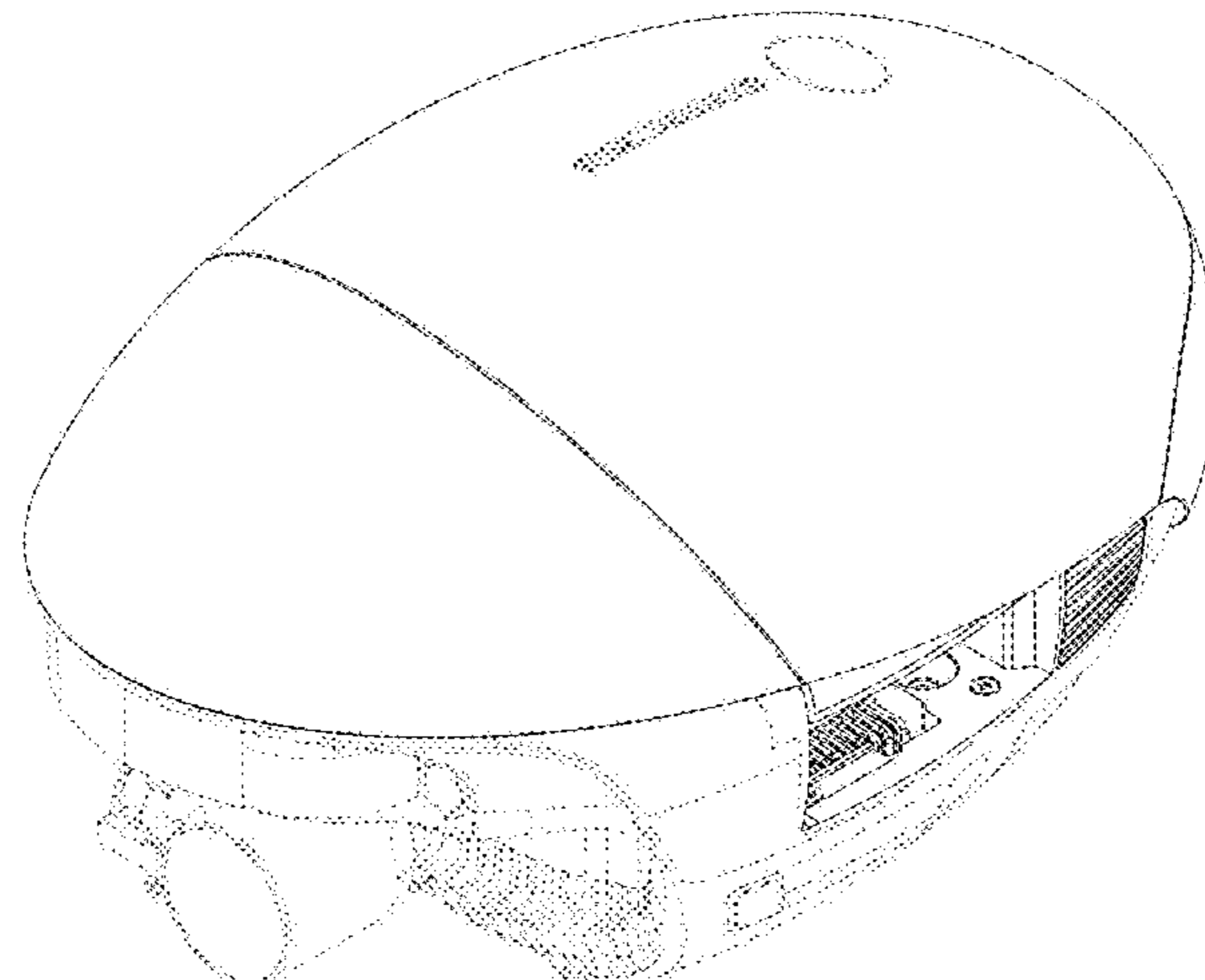
FIG. 21 is a left side elevation view of FIG. 17;

FIG. 22 is a right side elevation view of FIG. 17;

FIG. 23 is a top plan view of FIG. 17; and,

FIG. 24 is a bottom plan view of FIG. 17.

(Continued)



The broken lines shown in FIGS. 1-24 depict portions of the intelligent device that form no part of the claimed design. The additional broken lines shown in FIGS. 9-24 depict environmental structures that form no part of the claimed design.

1 Claim, 24 Drawing Sheets

(30) **Foreign Application Priority Data**

Jul. 8, 2019 (CN) 201930359741.2
 Sep. 9, 2019 (CN) 201910849426.7
 Sep. 10, 2019 (CN) 201930497520.1
 Sep. 10, 2019 (CN) 201930497524.X
 Sep. 10, 2019 (CN) 201930497642.0
 Sep. 10, 2019 (CN) 201930497935.9
 Sep. 10, 2019 (CN) 201930497937.8

(58) **Field of Classification Search**

CPC B64C 2201/141; B64C 2201/20; B64C
 2201/027; B64C 1/40; B64G 1/002;
 A63H 33/185

See application file for complete search history.

(56)

References Cited

U.S. PATENT DOCUMENTS

9,527,588 B1 * 12/2016 Rollefstad G05D 1/0005
 D797,602 S * 9/2017 Li D12/16.1
 D814,350 S * 4/2018 Joo D12/16.1
 D821,264 S * 6/2018 Choo D12/16.1
 D834,996 S * 12/2018 Zheng D12/16.1
 D856,259 S * 8/2019 Li D12/328
 D889,012 S * 6/2020 Lin D26/51
 10,787,257 B2 * 9/2020 Kim G05D 1/0033
 D900,675 S * 11/2020 Jia D12/1
 10,820,574 B2 * 11/2020 Gordon A01K 57/00
 D903,576 S * 12/2020 Feldman D12/319
 2016/0179096 A1 * 6/2016 Bradlow G05D 1/0669
 701/8
 2016/0257424 A1 * 9/2016 Stabler B64F 1/20
 2016/0272317 A1 * 9/2016 Cho G05D 1/0088
 2016/0280359 A1 * 9/2016 Semke B64C 27/10
 2018/0304984 A1 * 10/2018 Zheng B64C 25/10
 2019/0193844 A1 * 6/2019 Zheng B64C 1/30
 2020/0001994 A1 * 1/2020 Prokhorov G08G 5/0021
 2021/0107645 A1 * 4/2021 Izraelevitz B64C 25/32

* cited by examiner

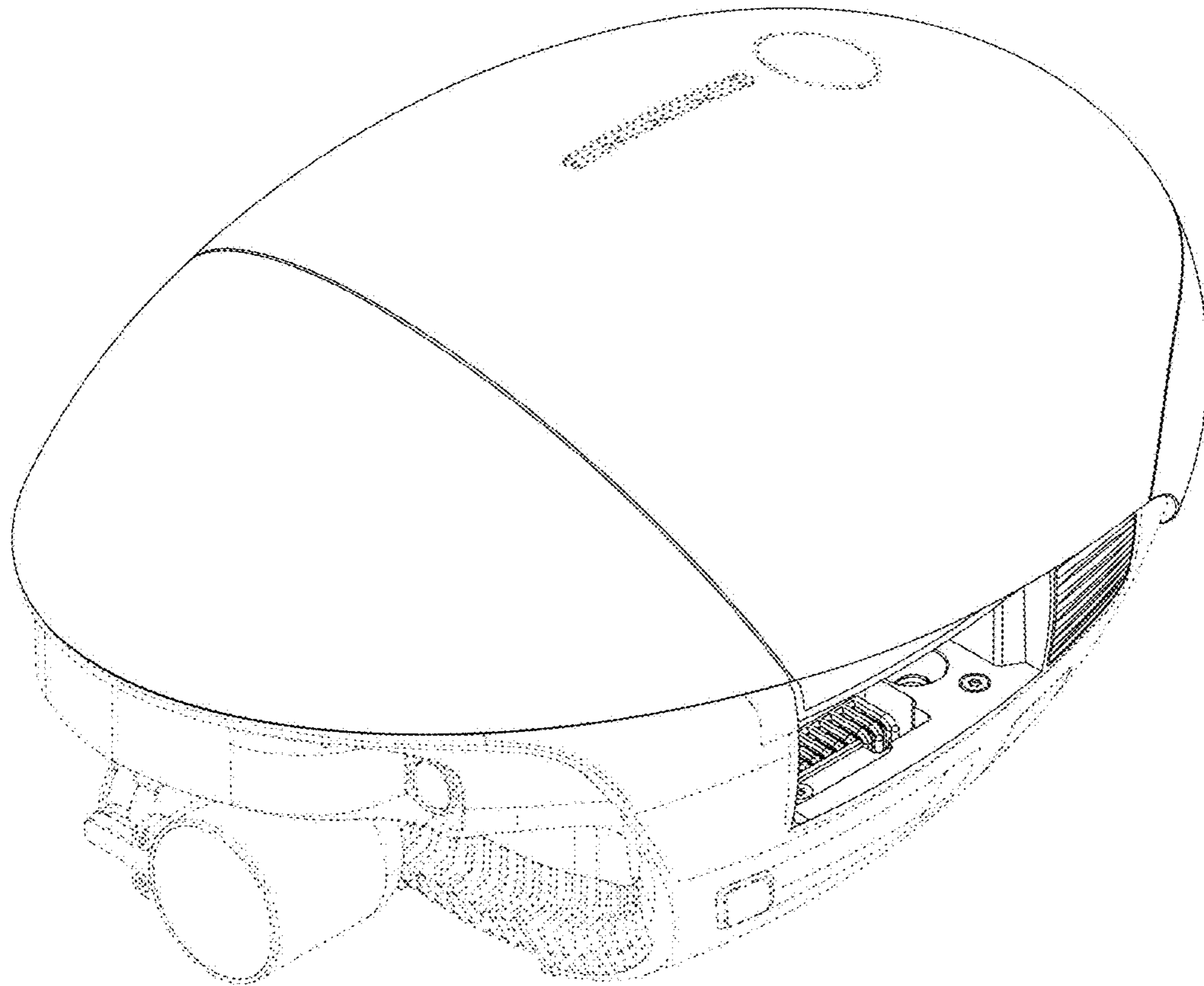


FIG. 1

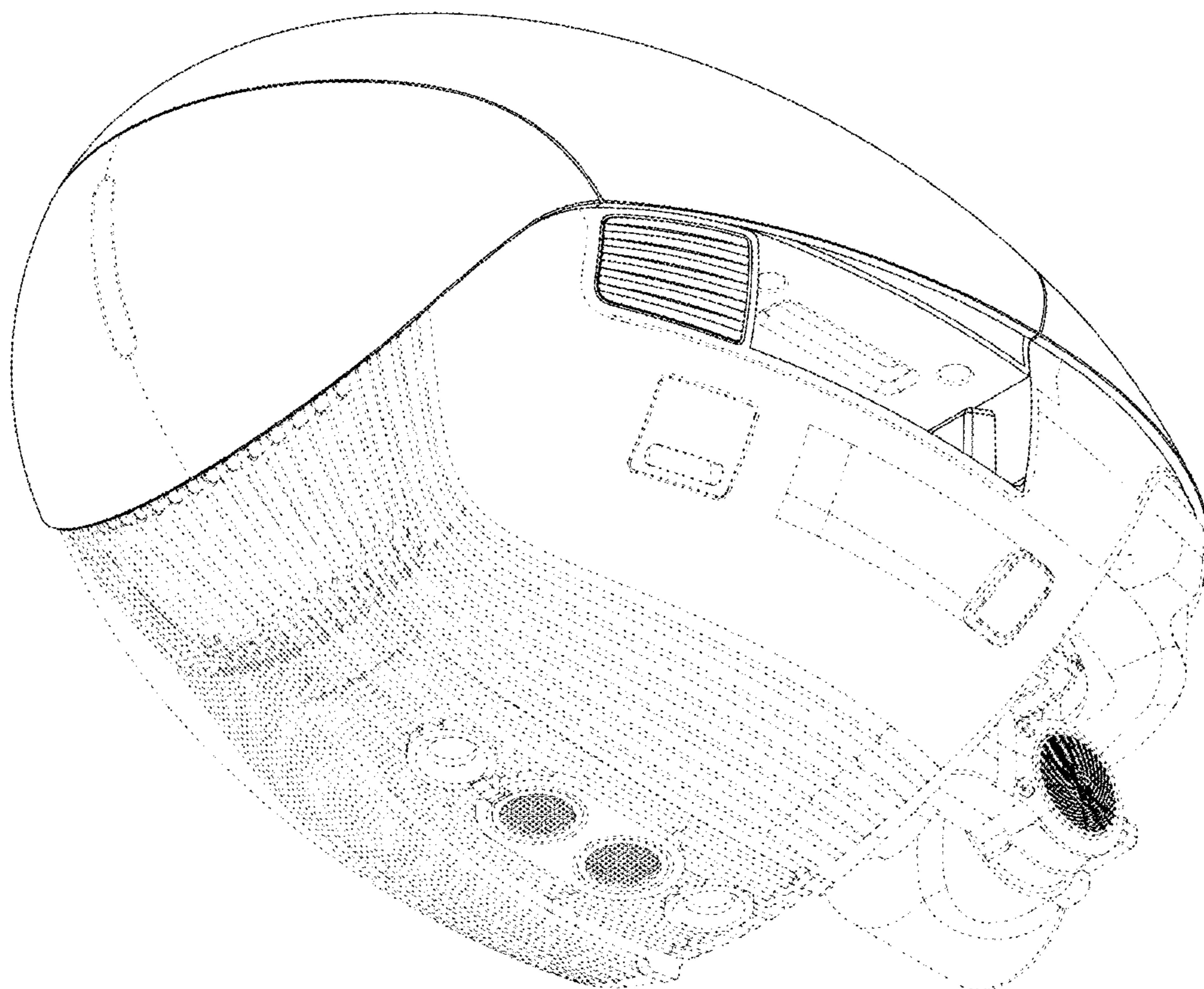


FIG. 2

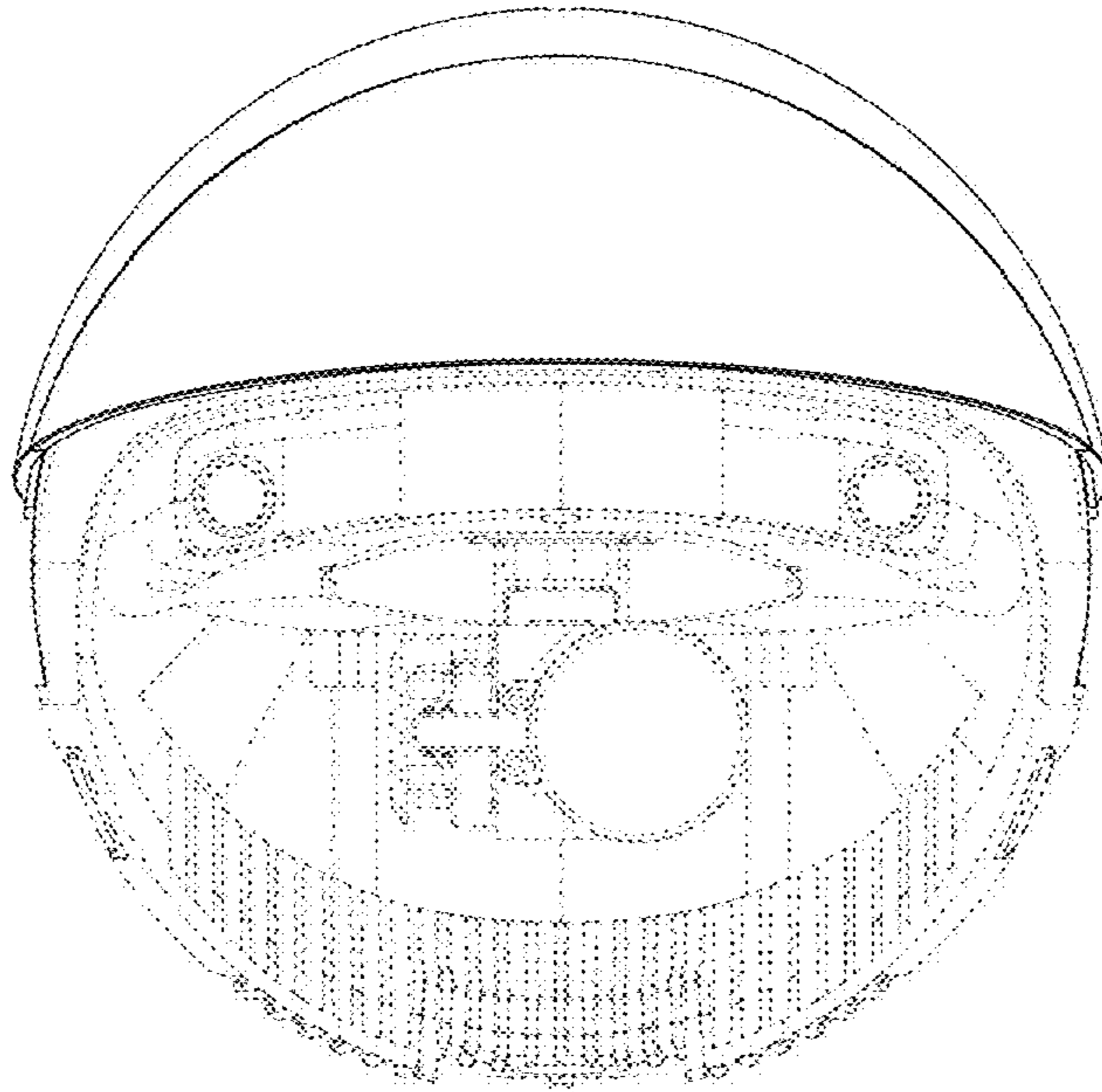


FIG. 3

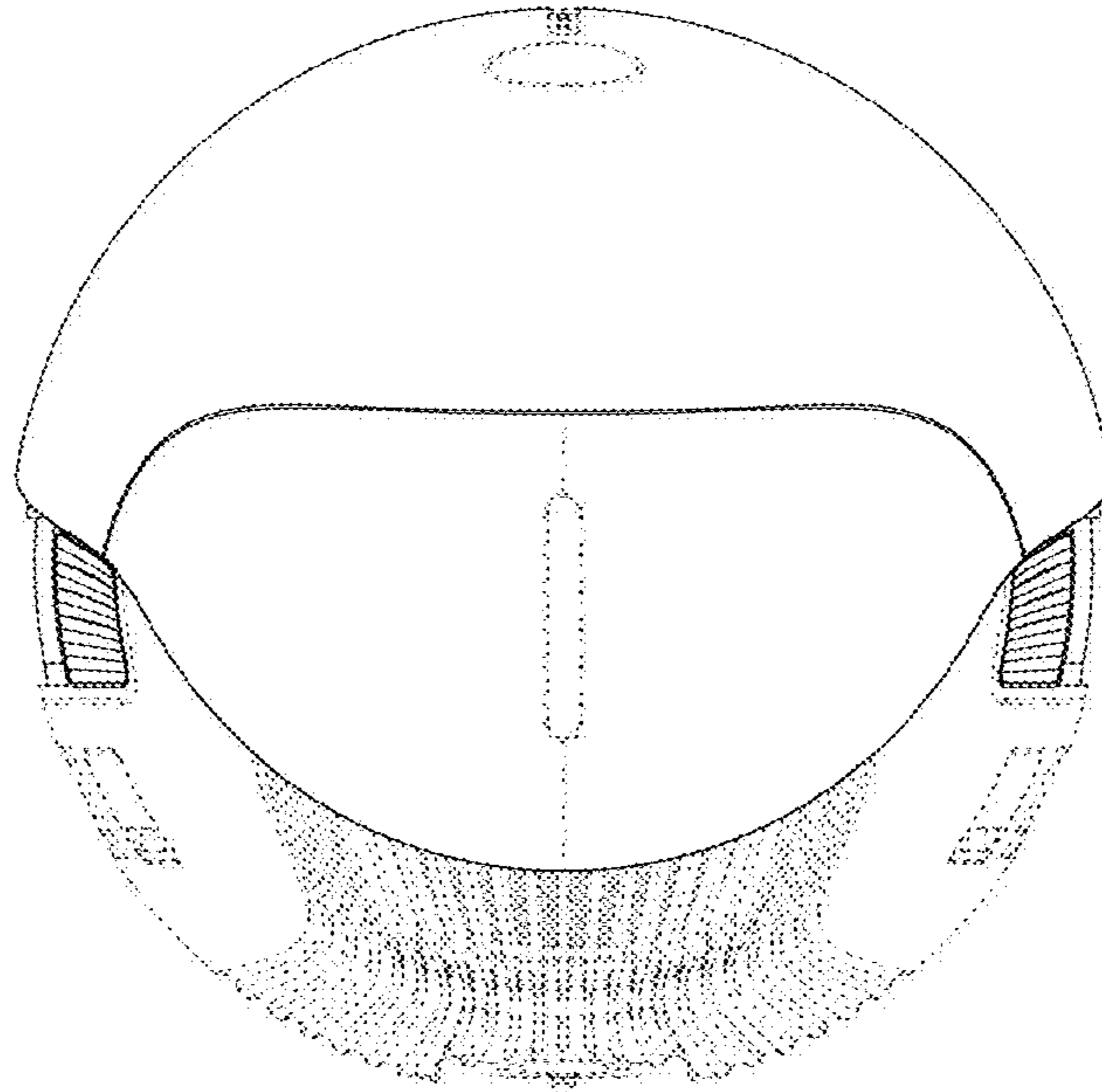


FIG. 4

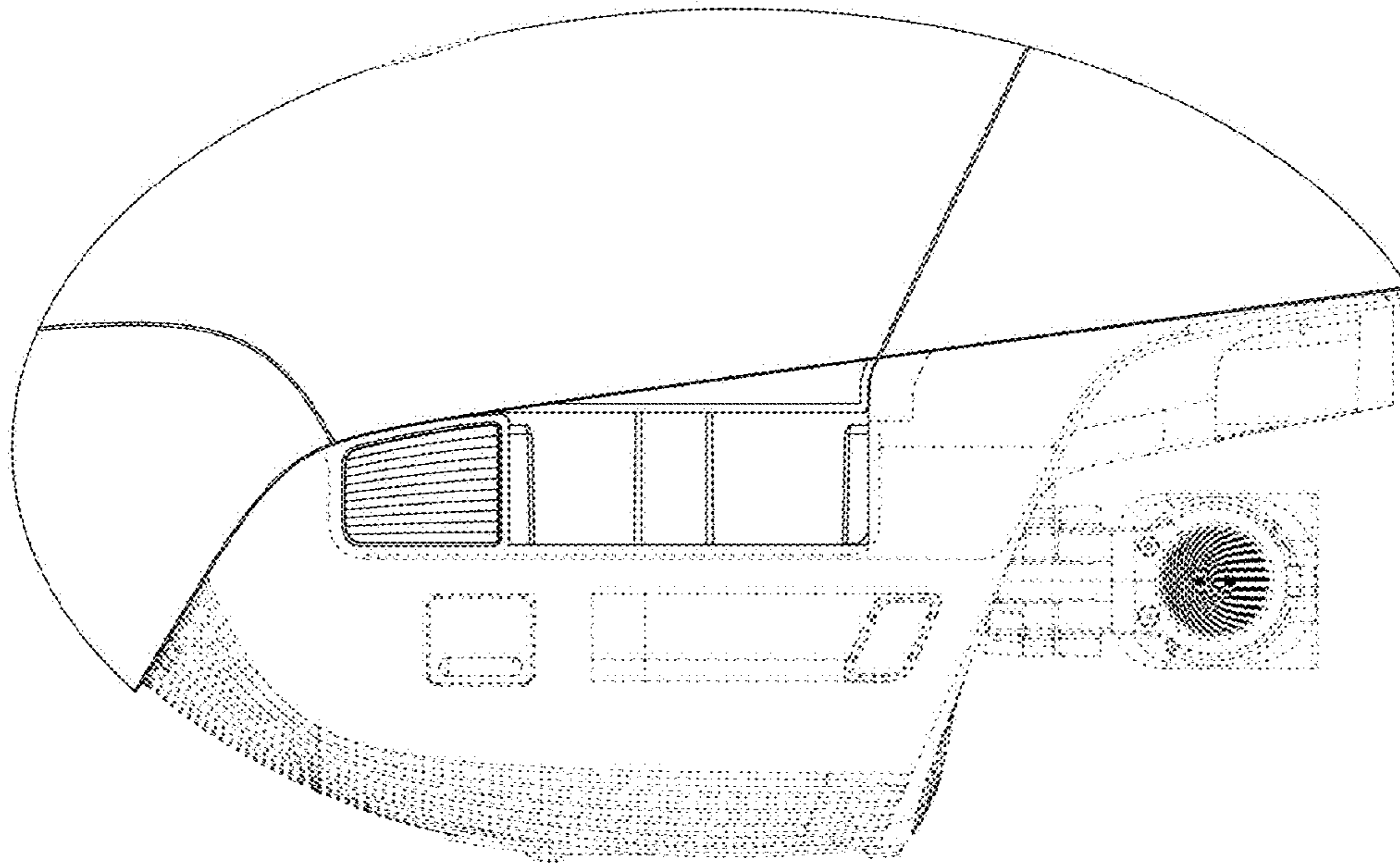


FIG. 5

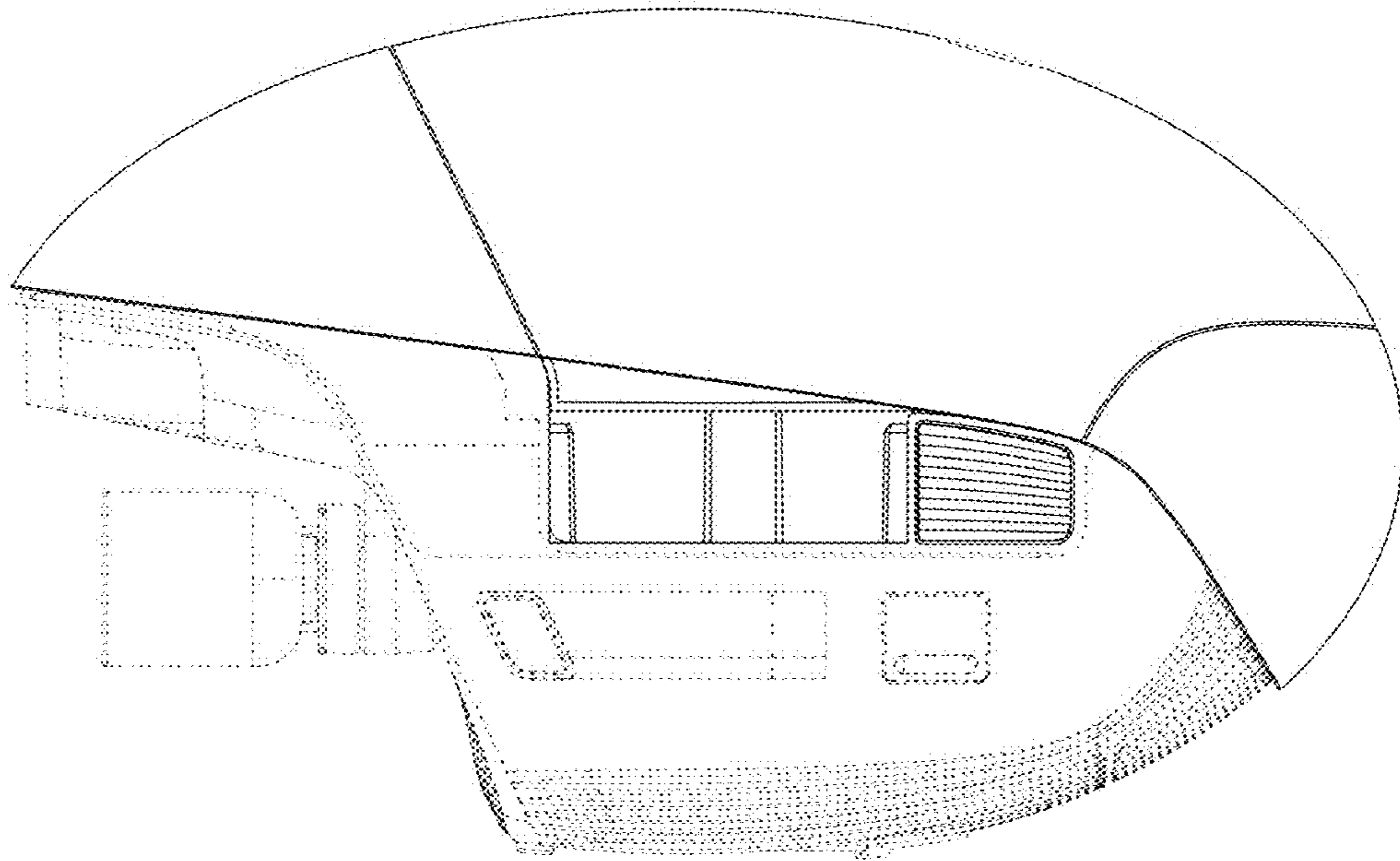


FIG. 6

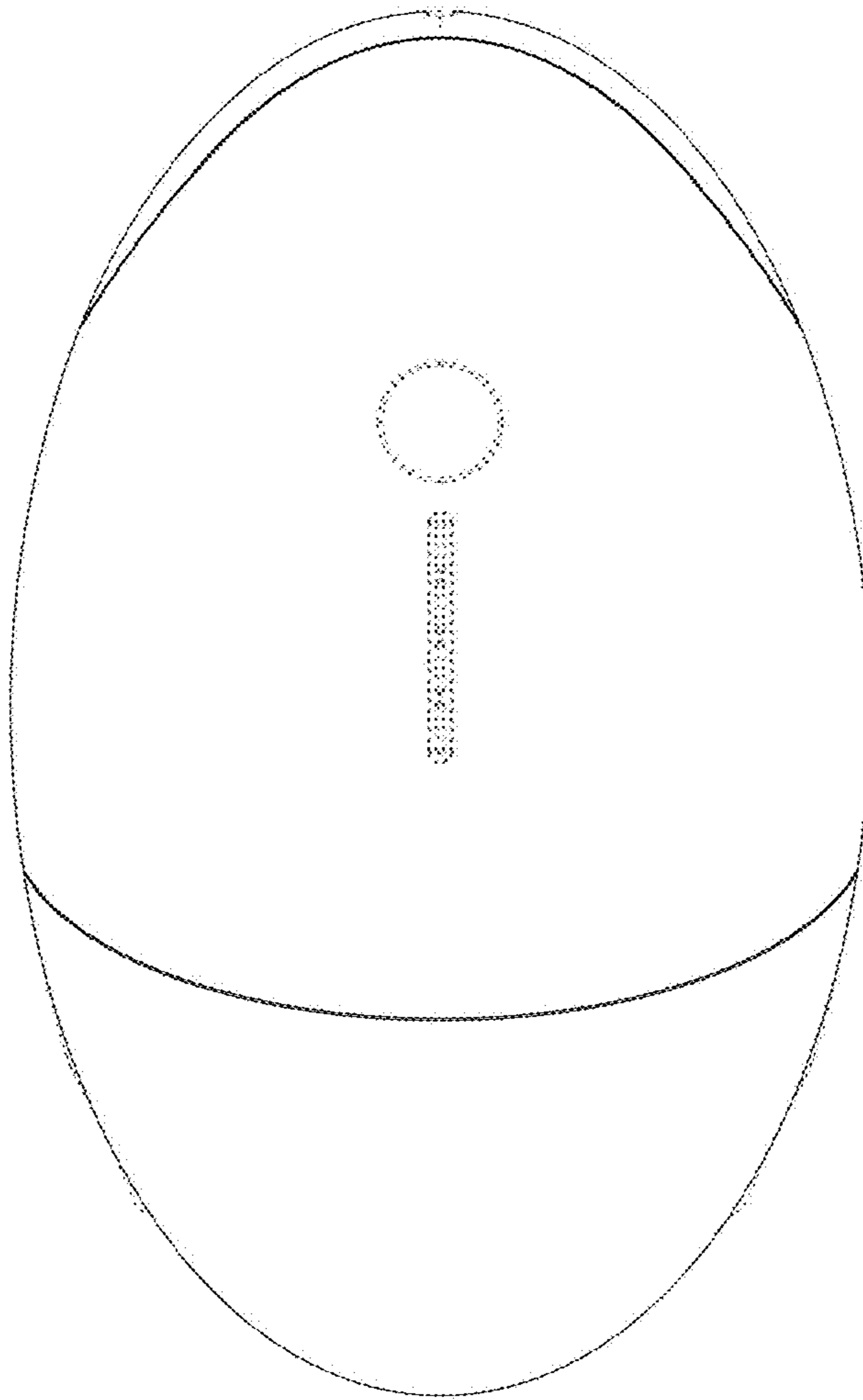


FIG. 7

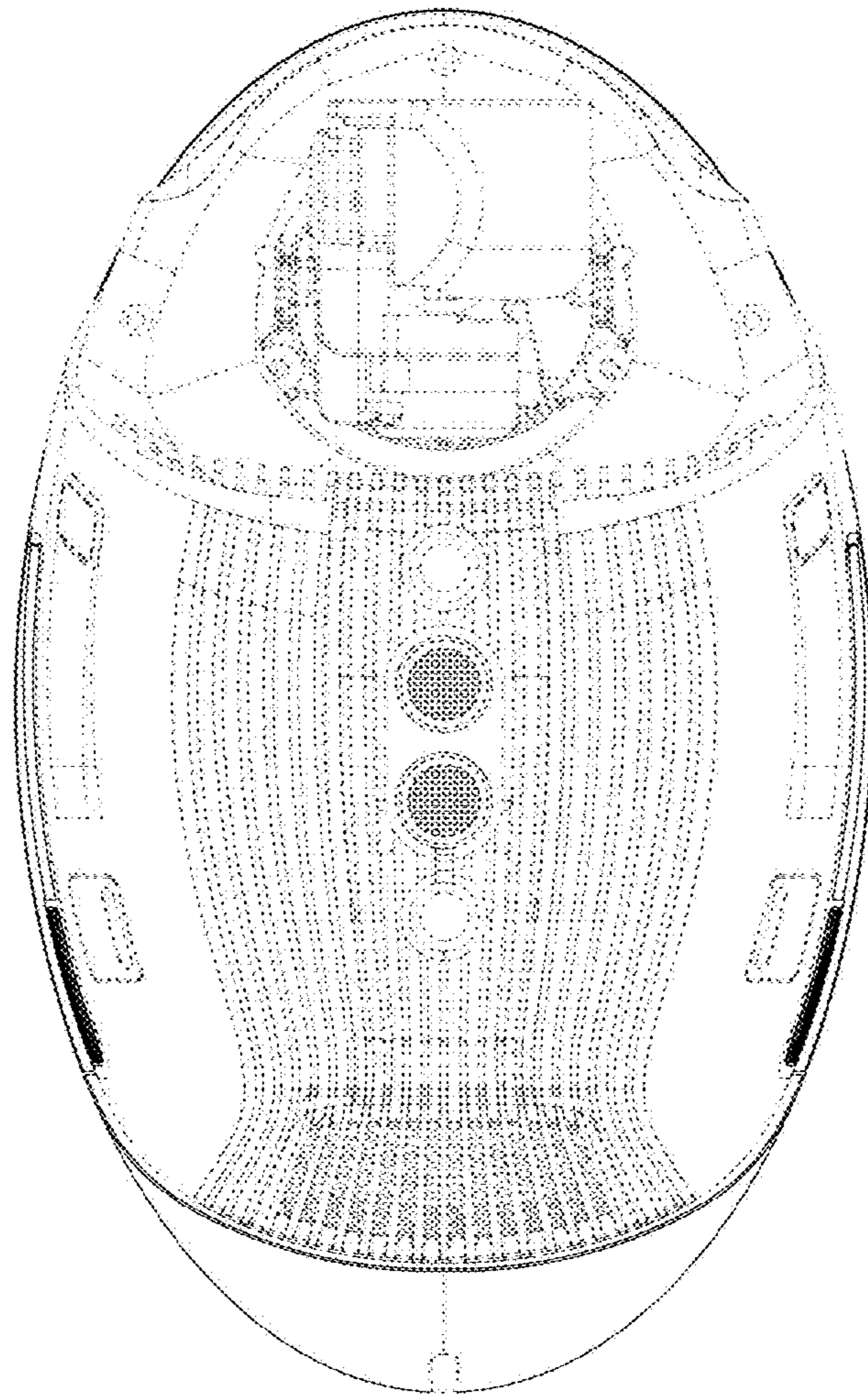


FIG. 8

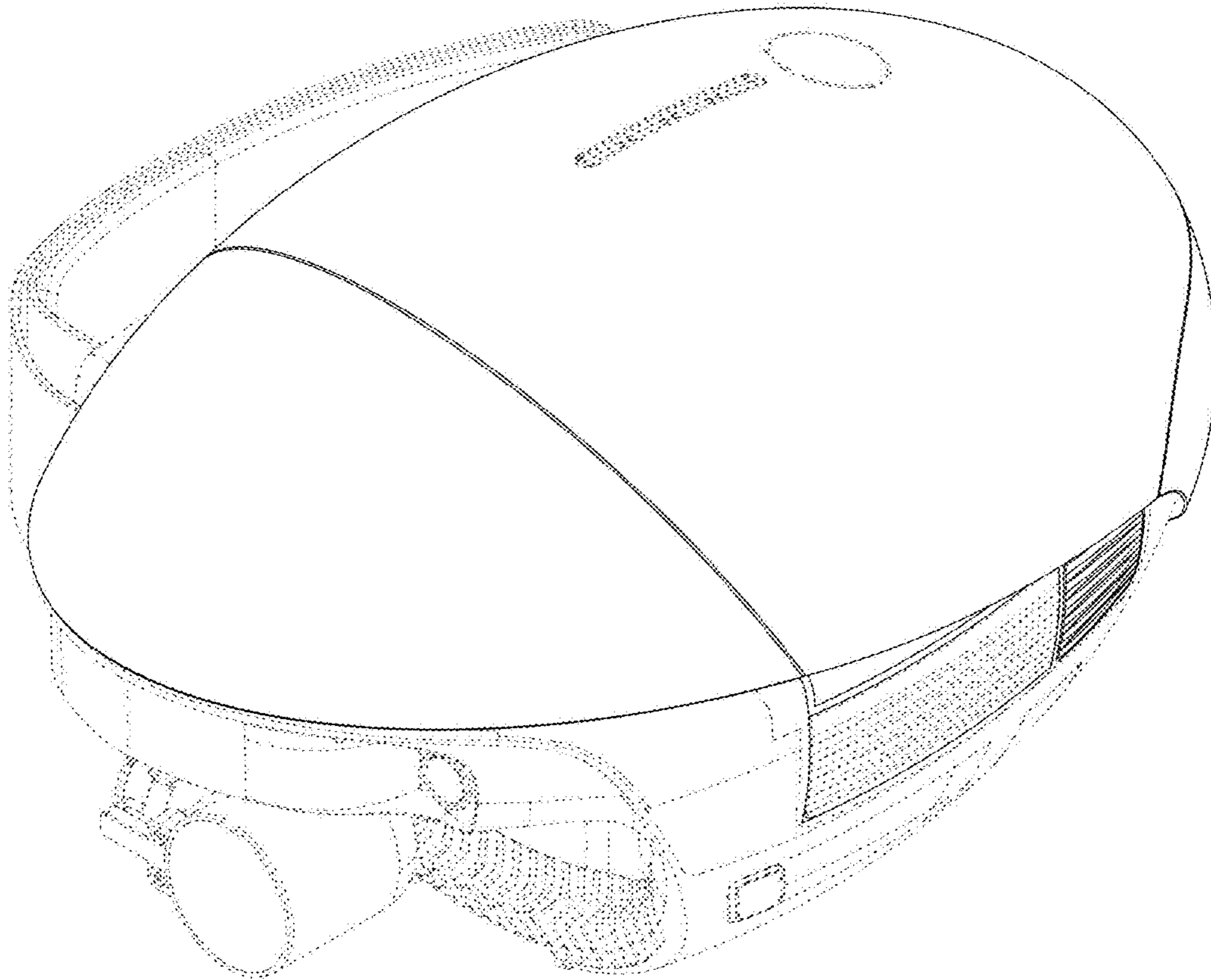


FIG. 9

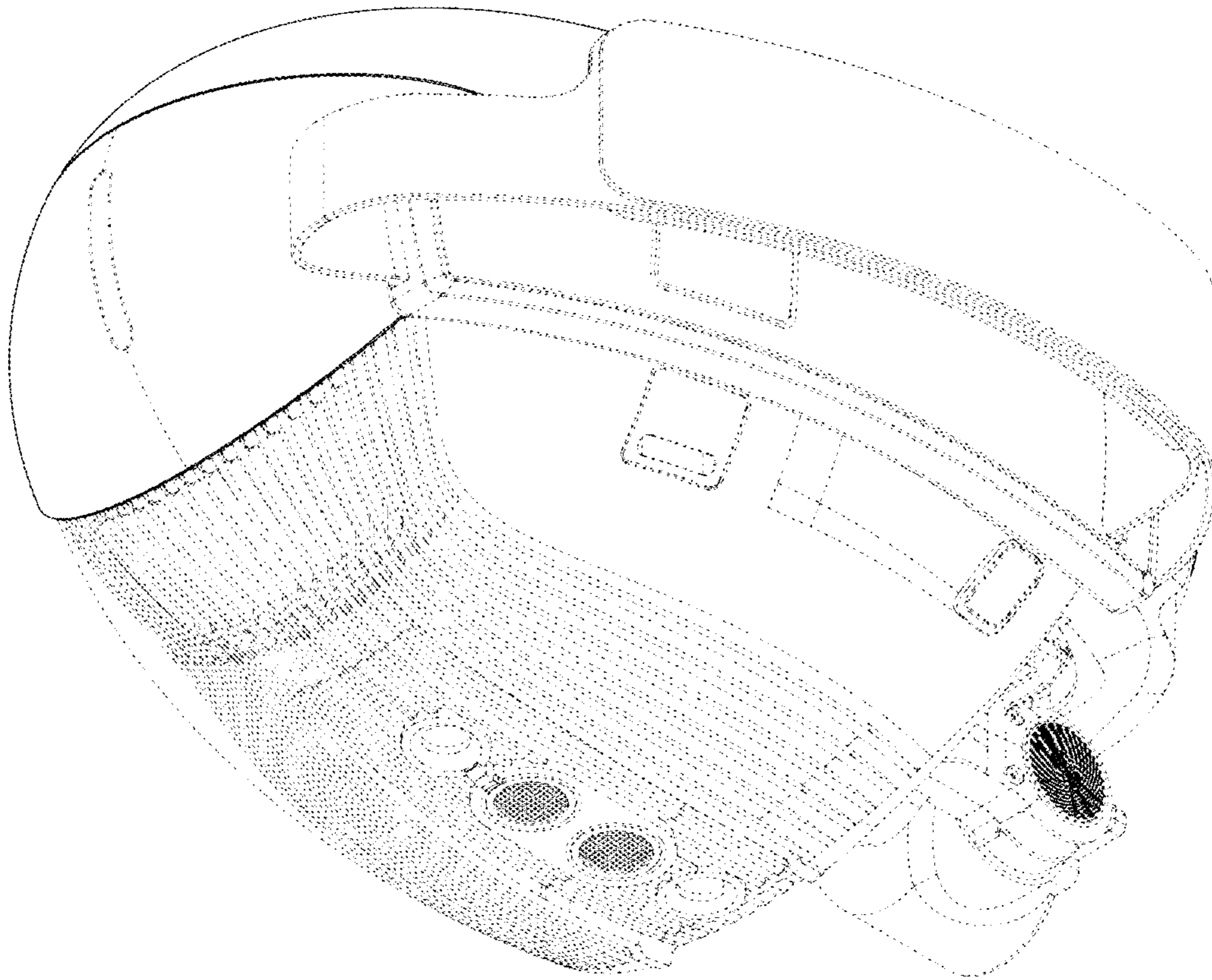


FIG. 10

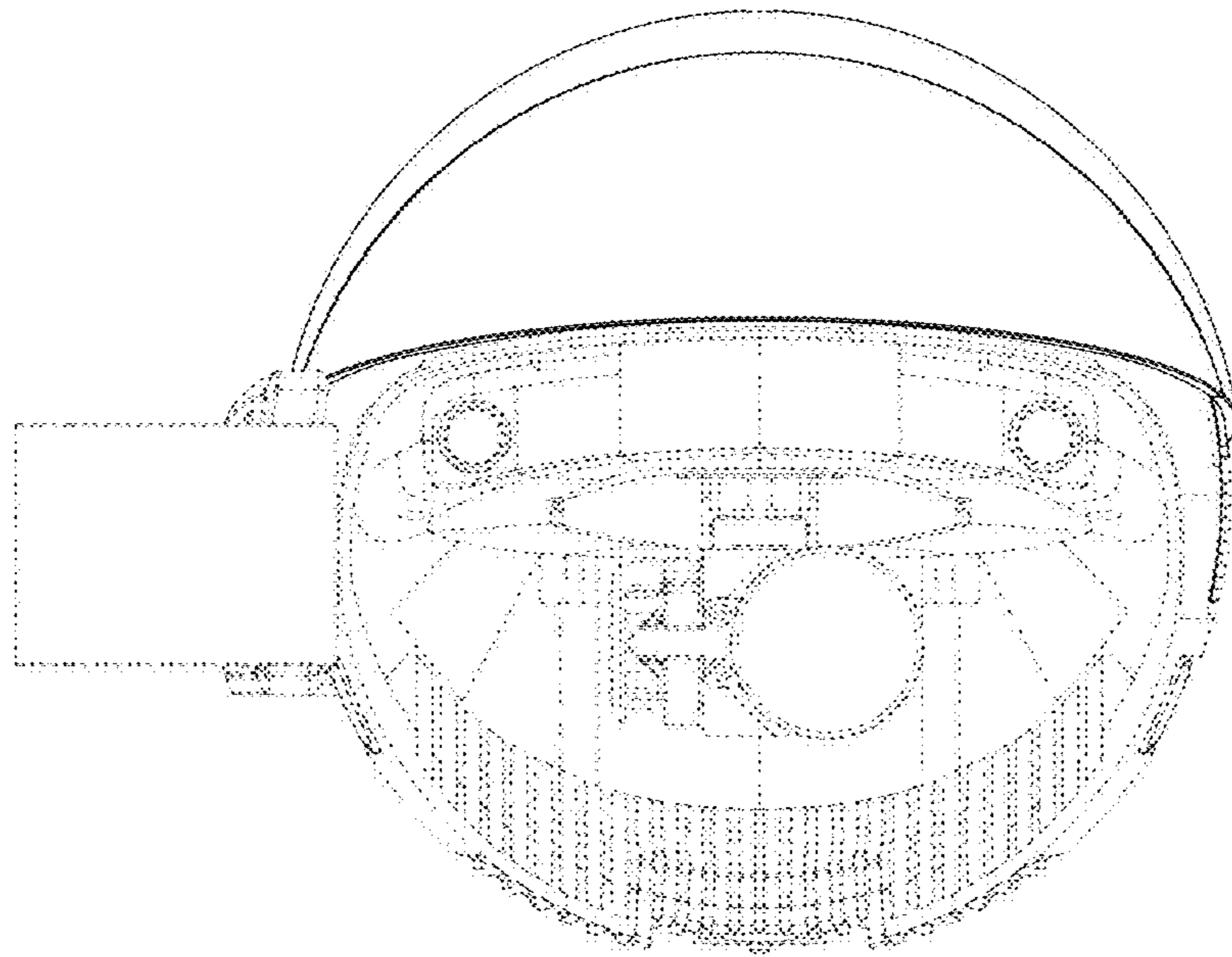


FIG. 11

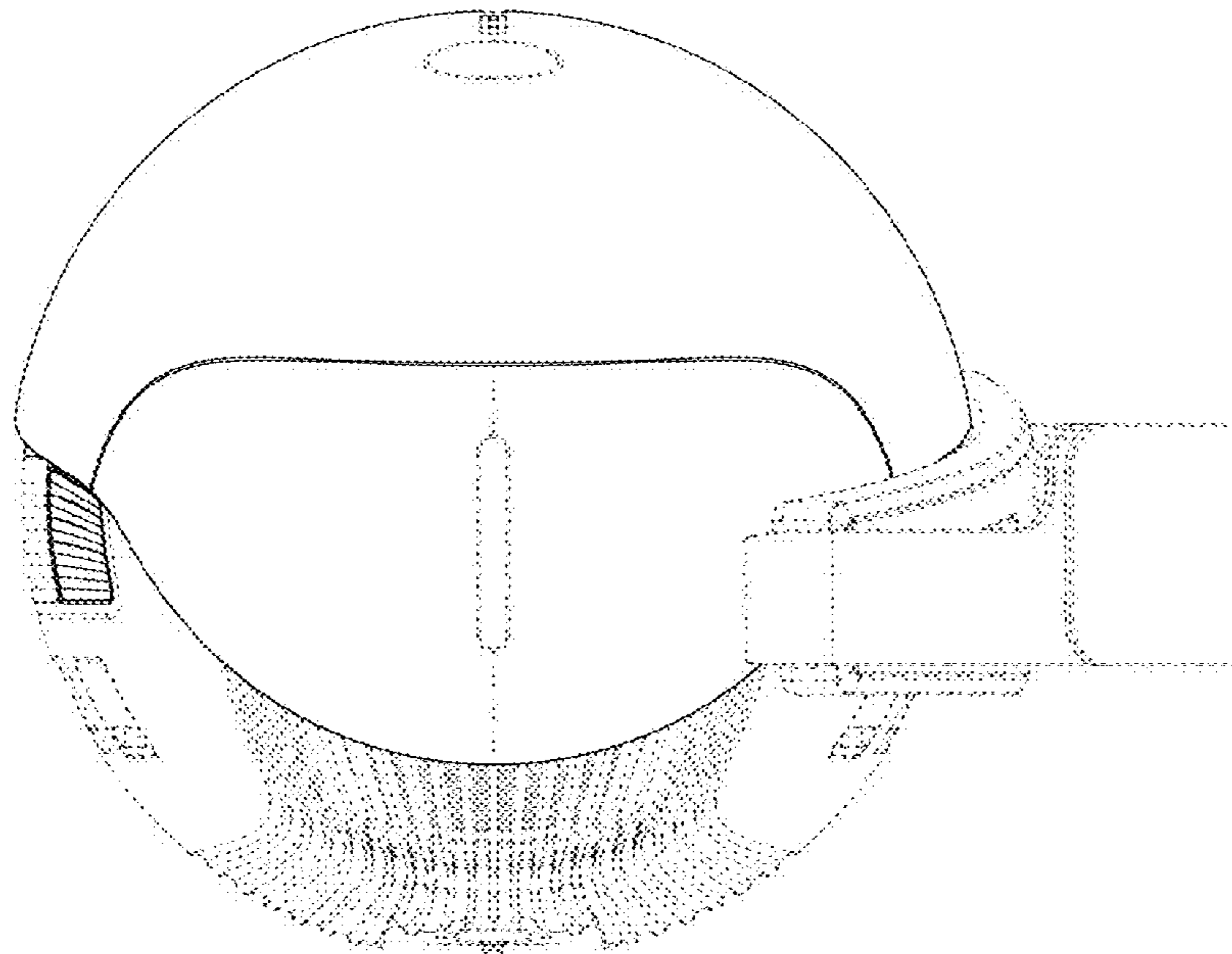


FIG. 12

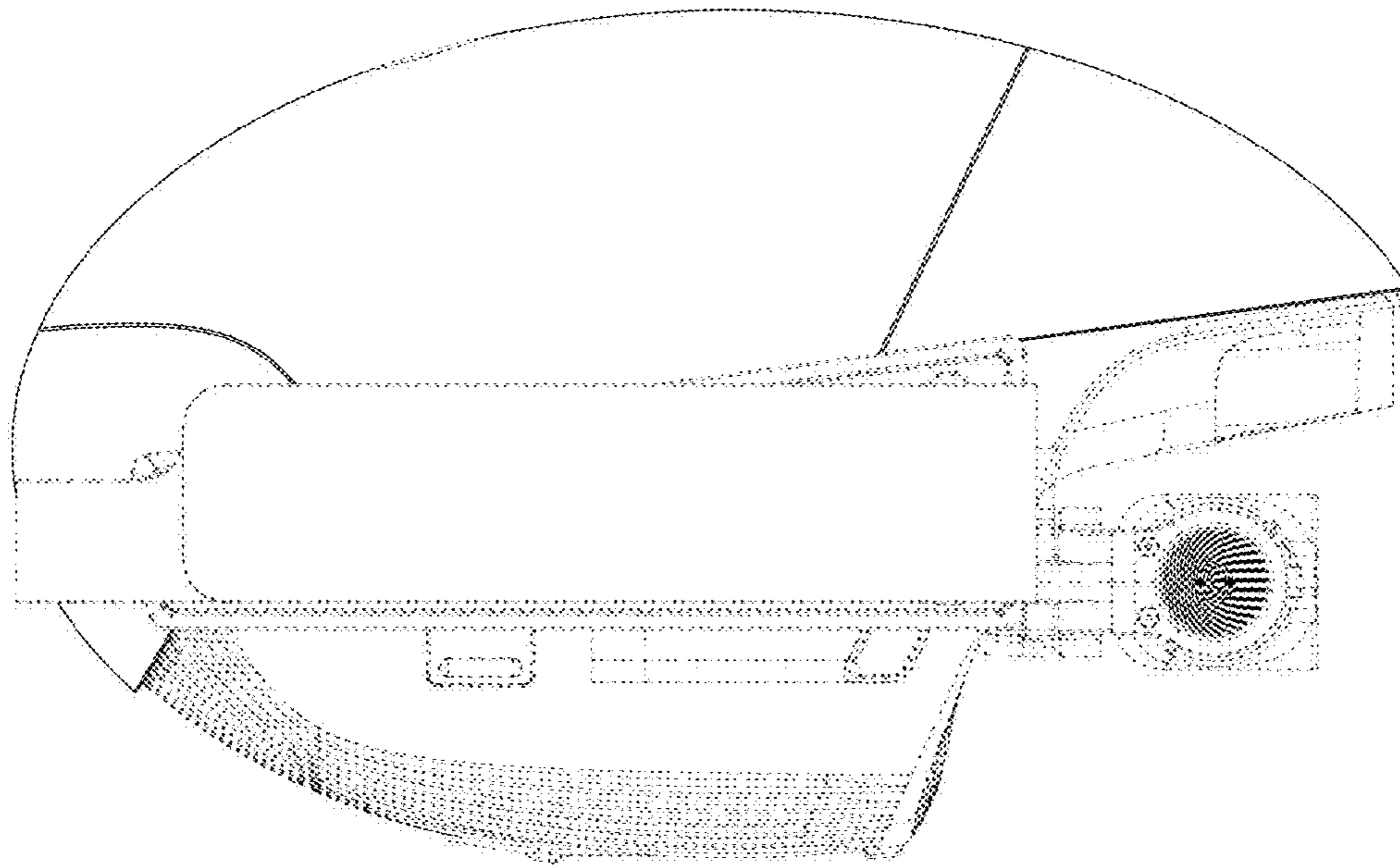


FIG. 13

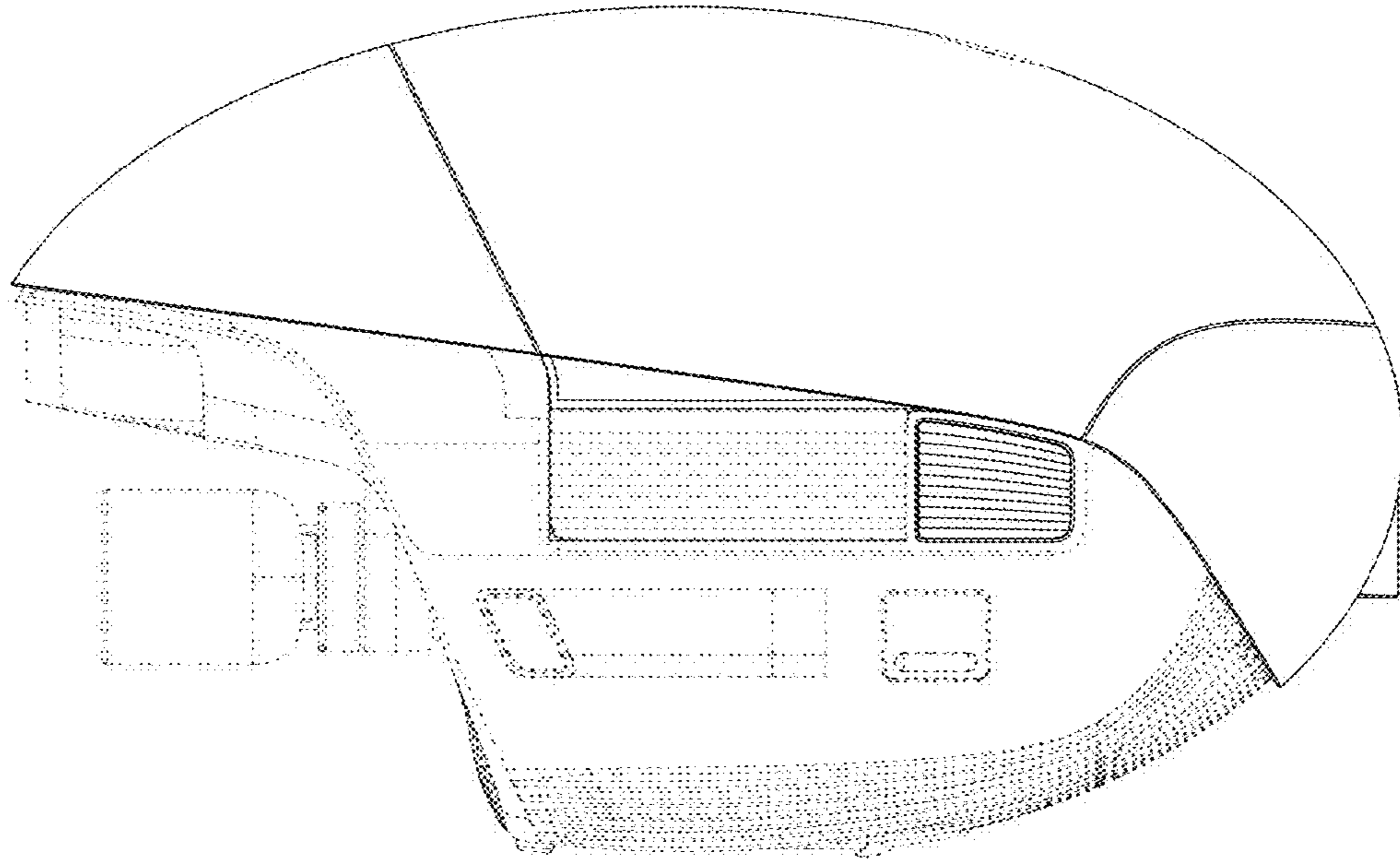


FIG. 14

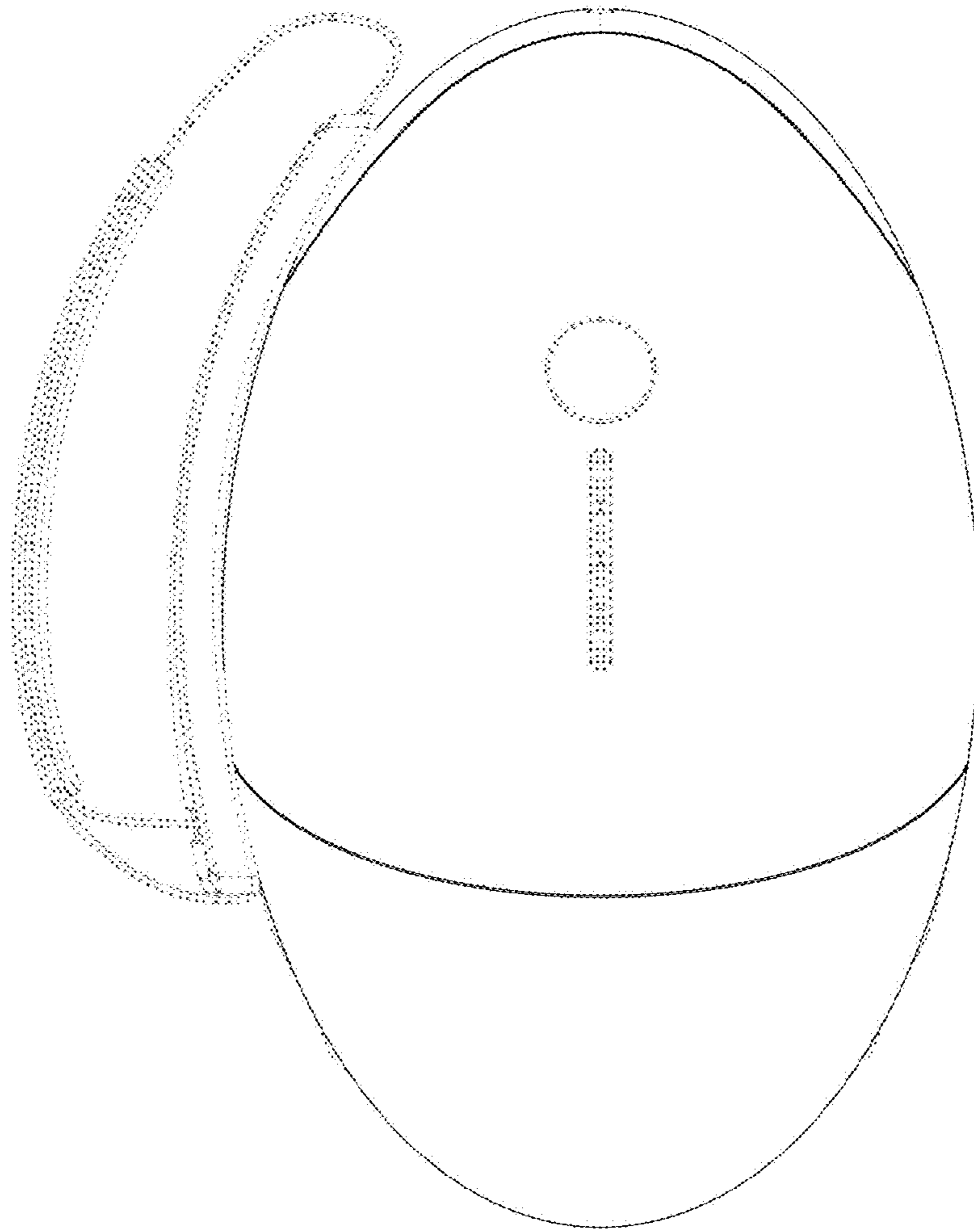


FIG. 15

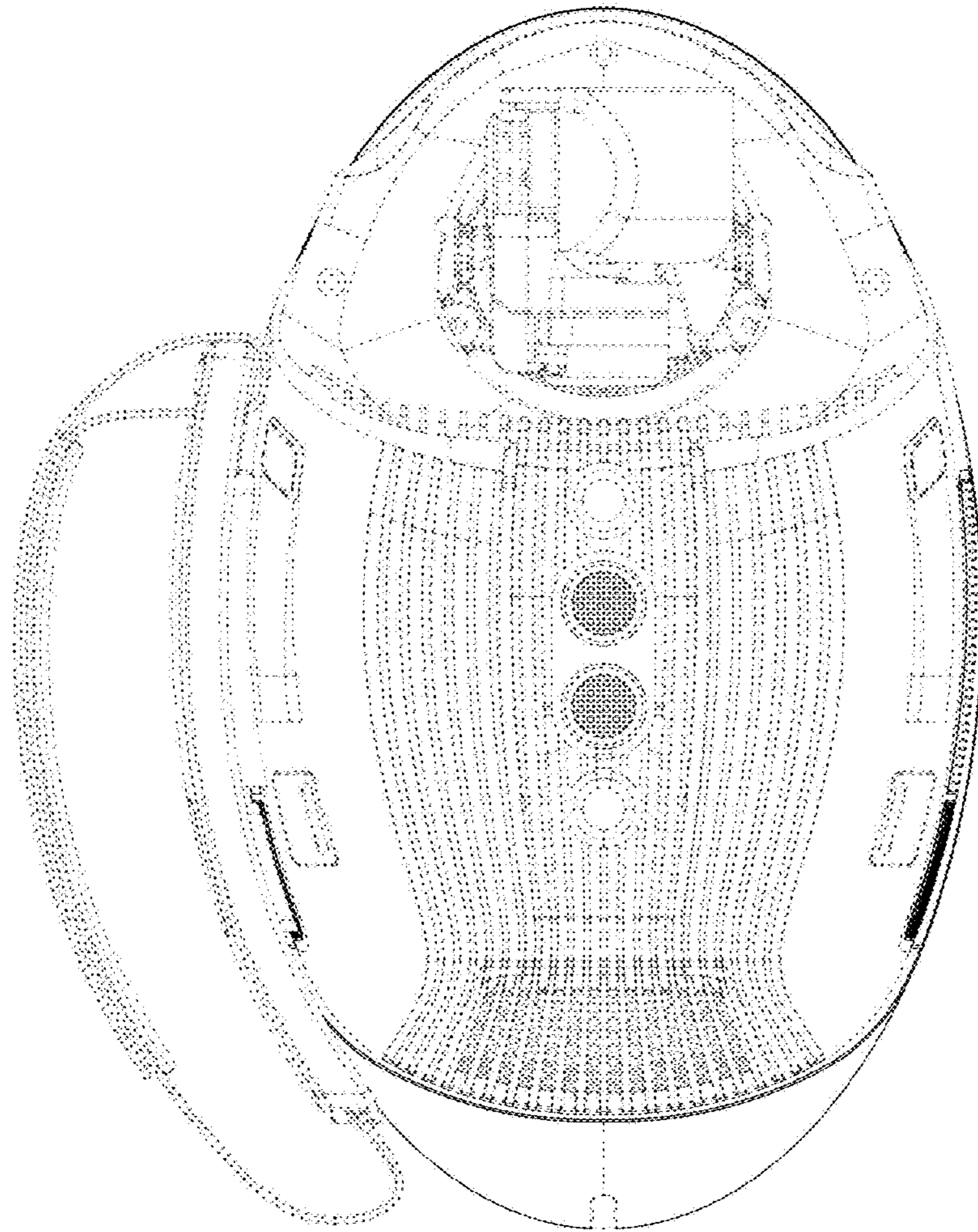


FIG. 16

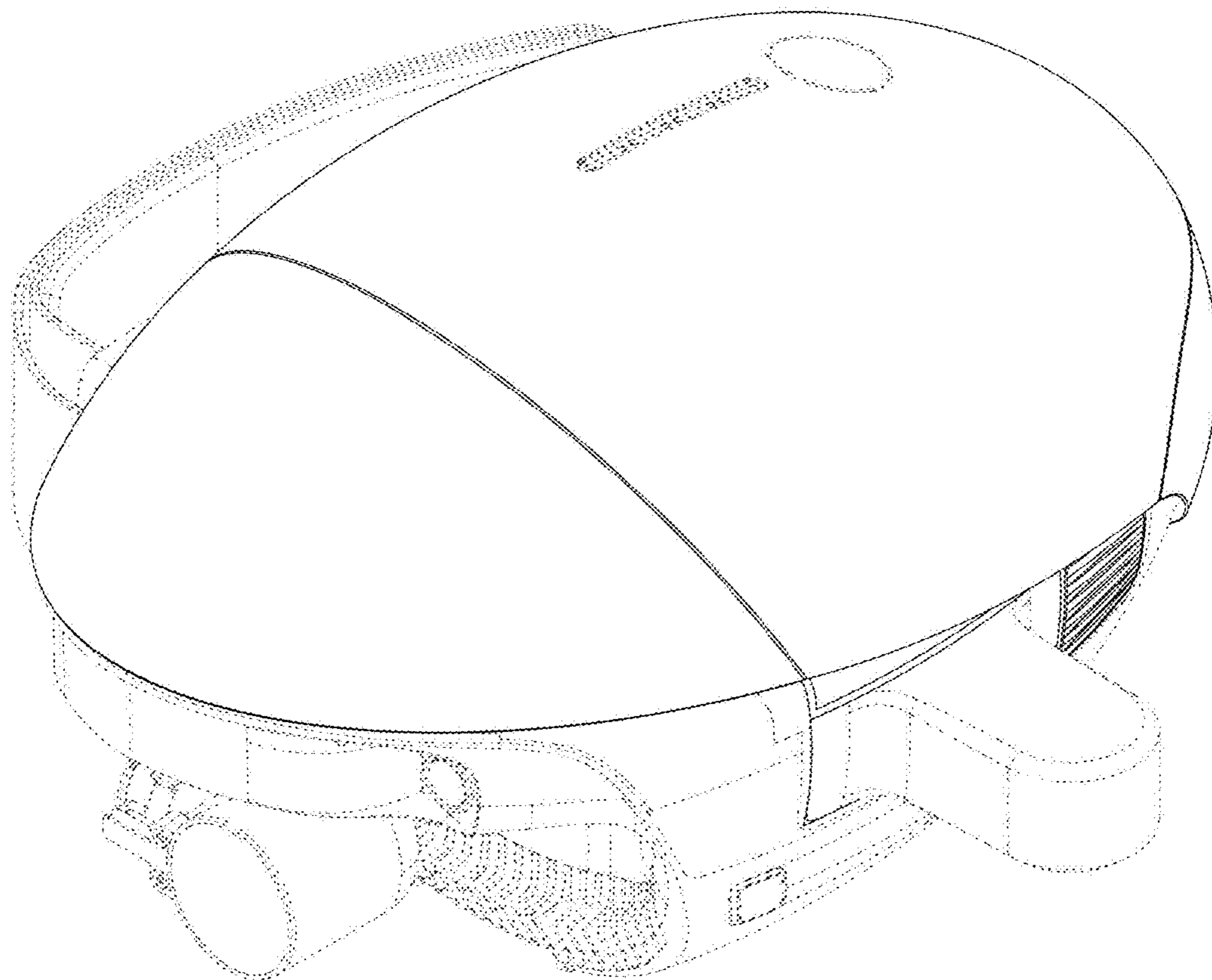


FIG. 17

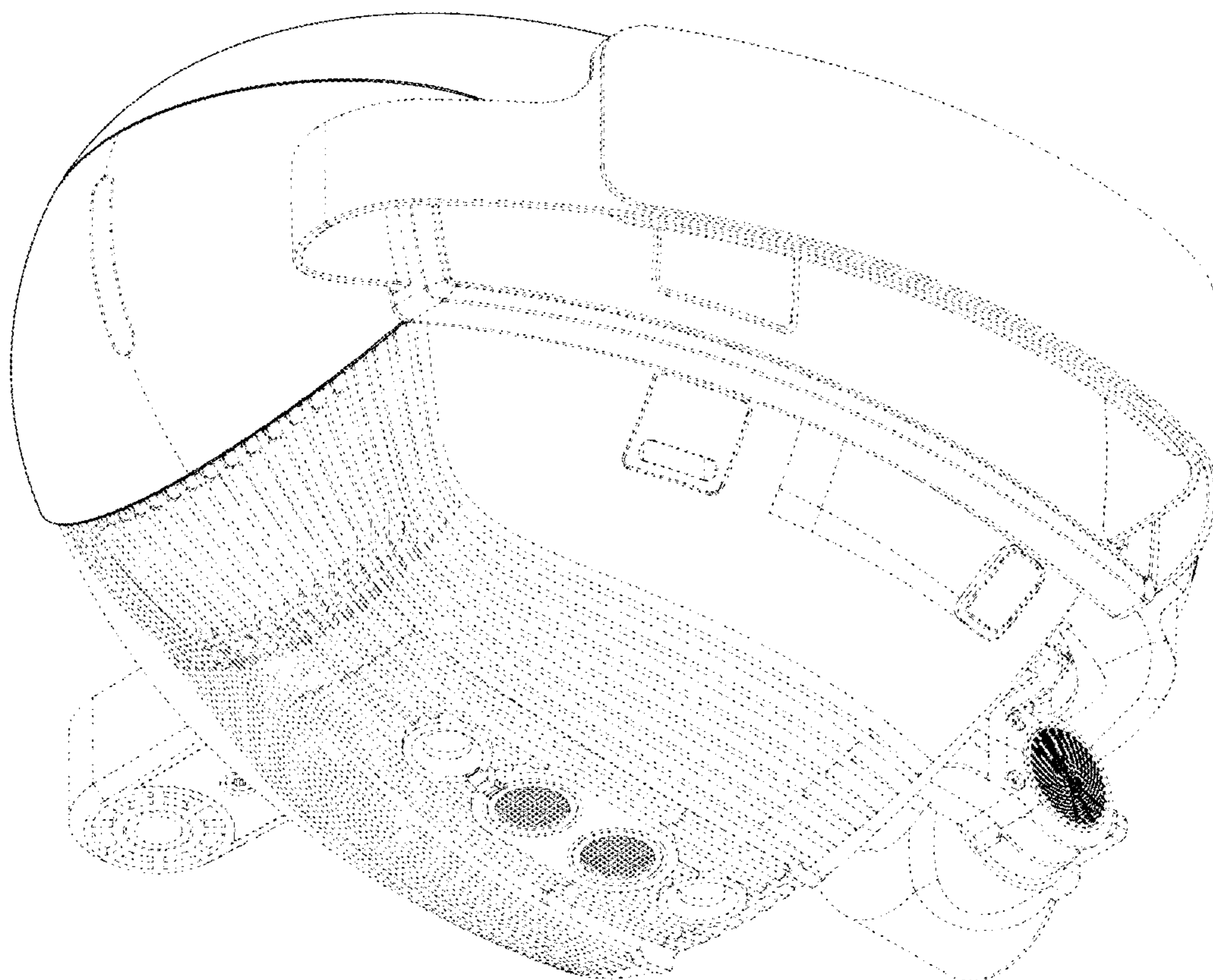


FIG. 18

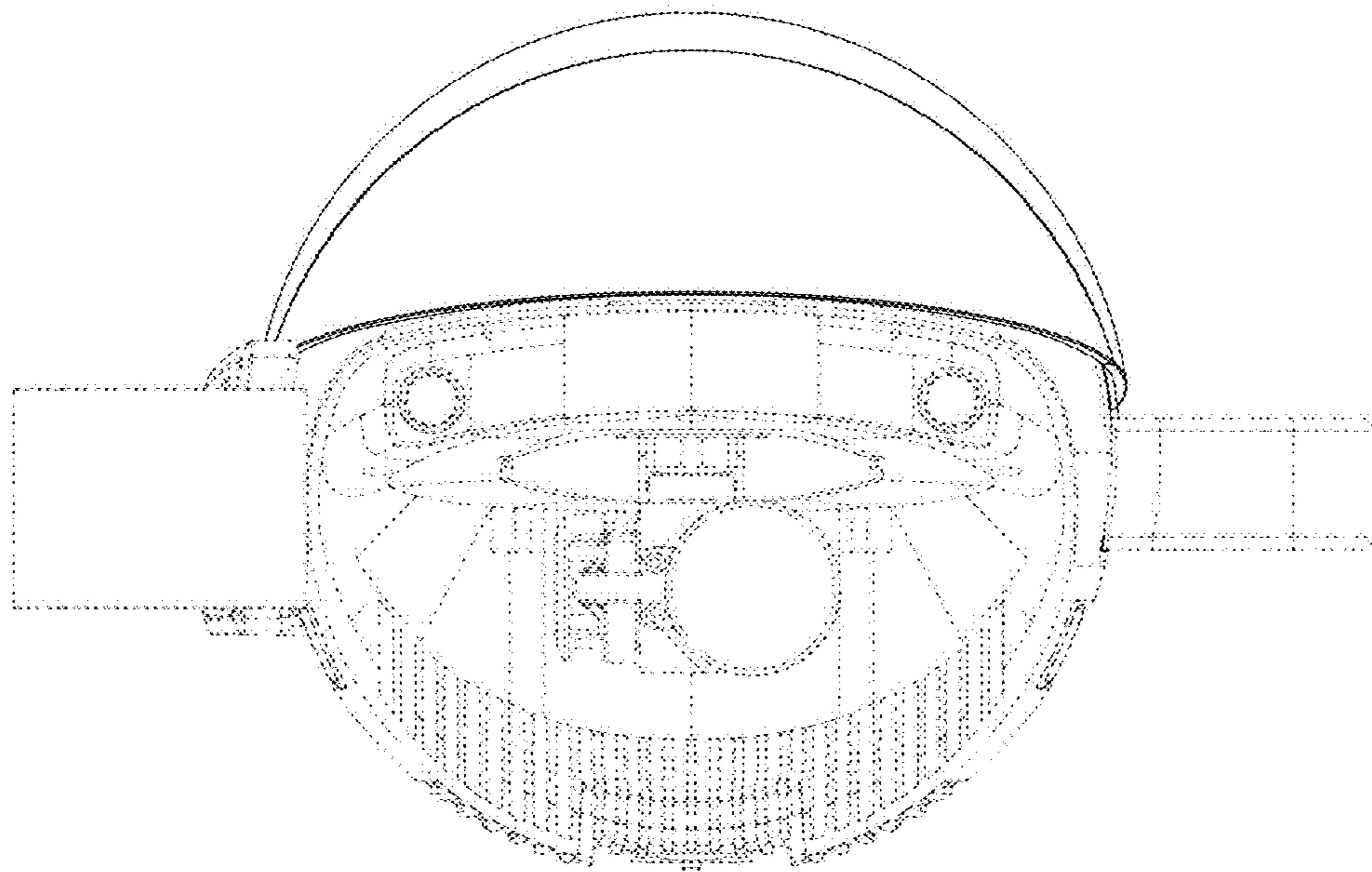


FIG. 19

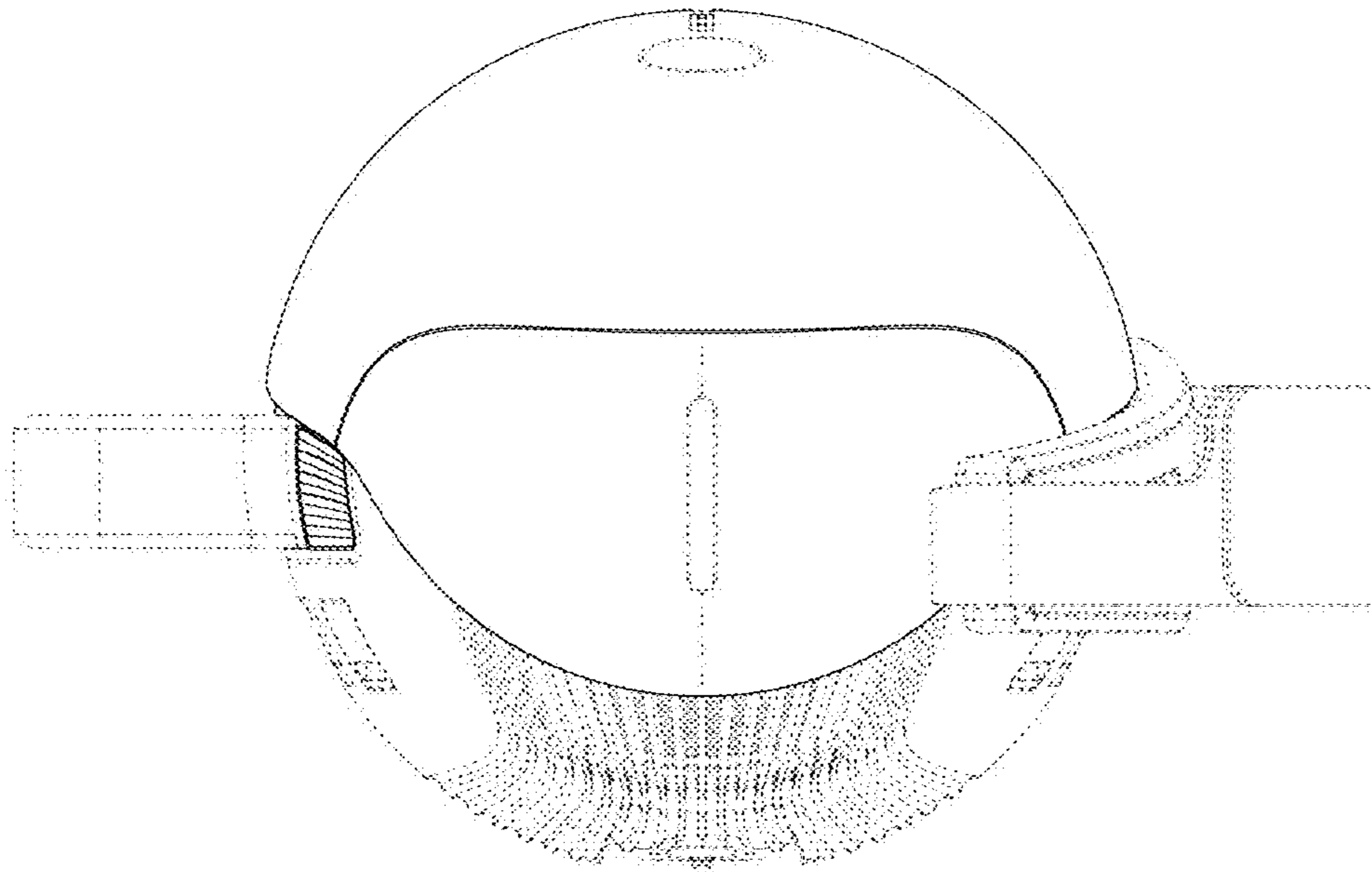


FIG. 20

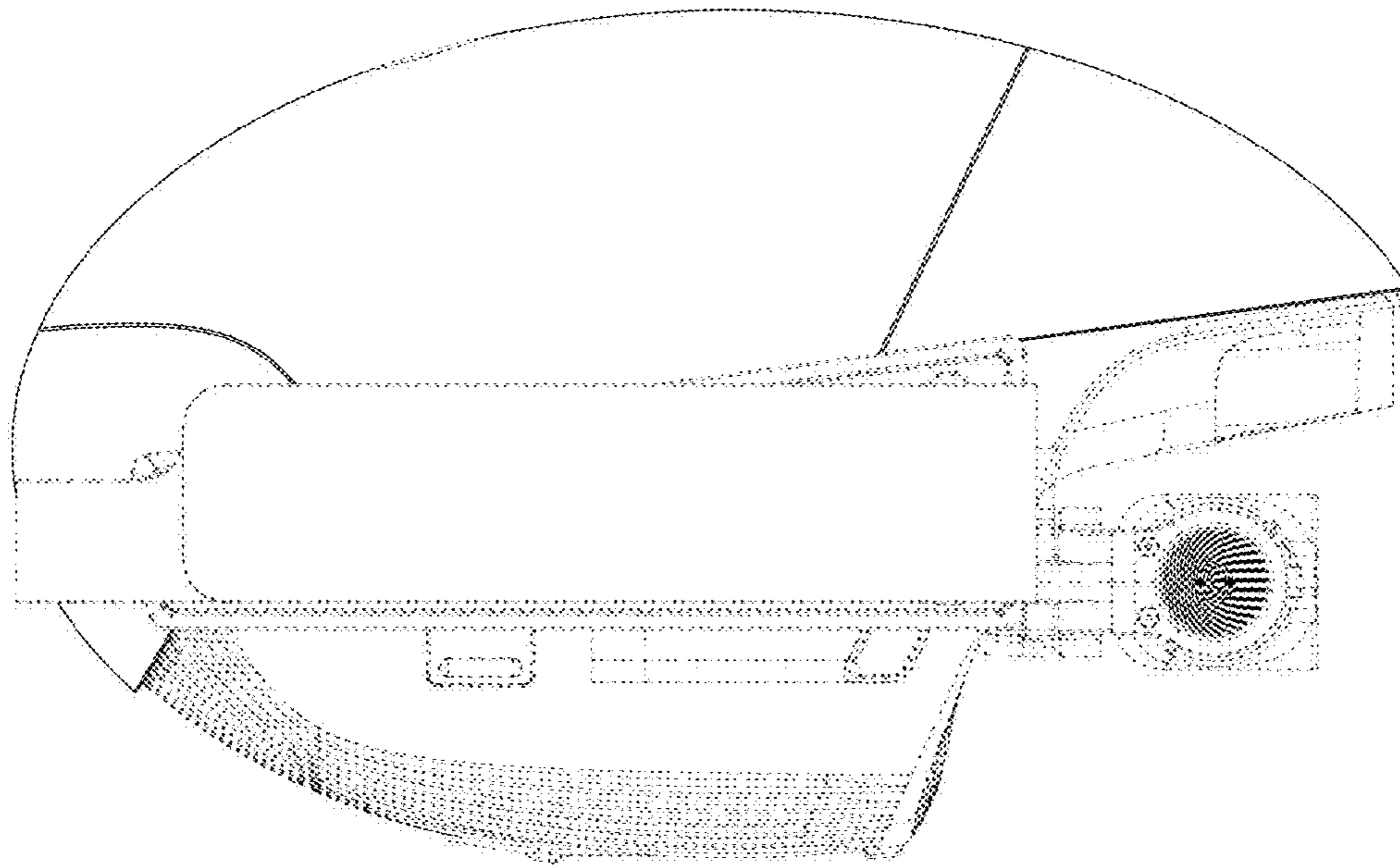


FIG. 21

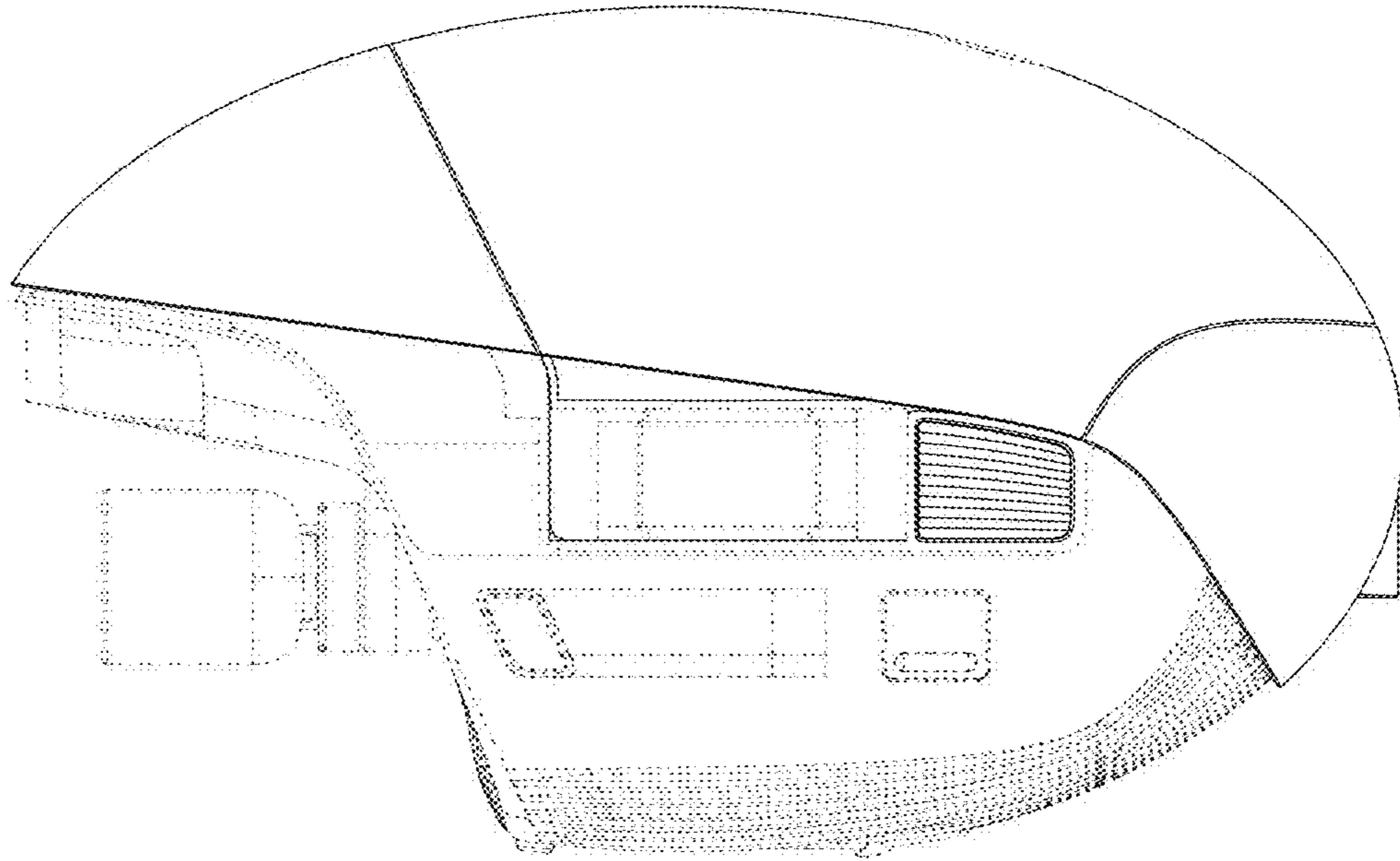


FIG. 22

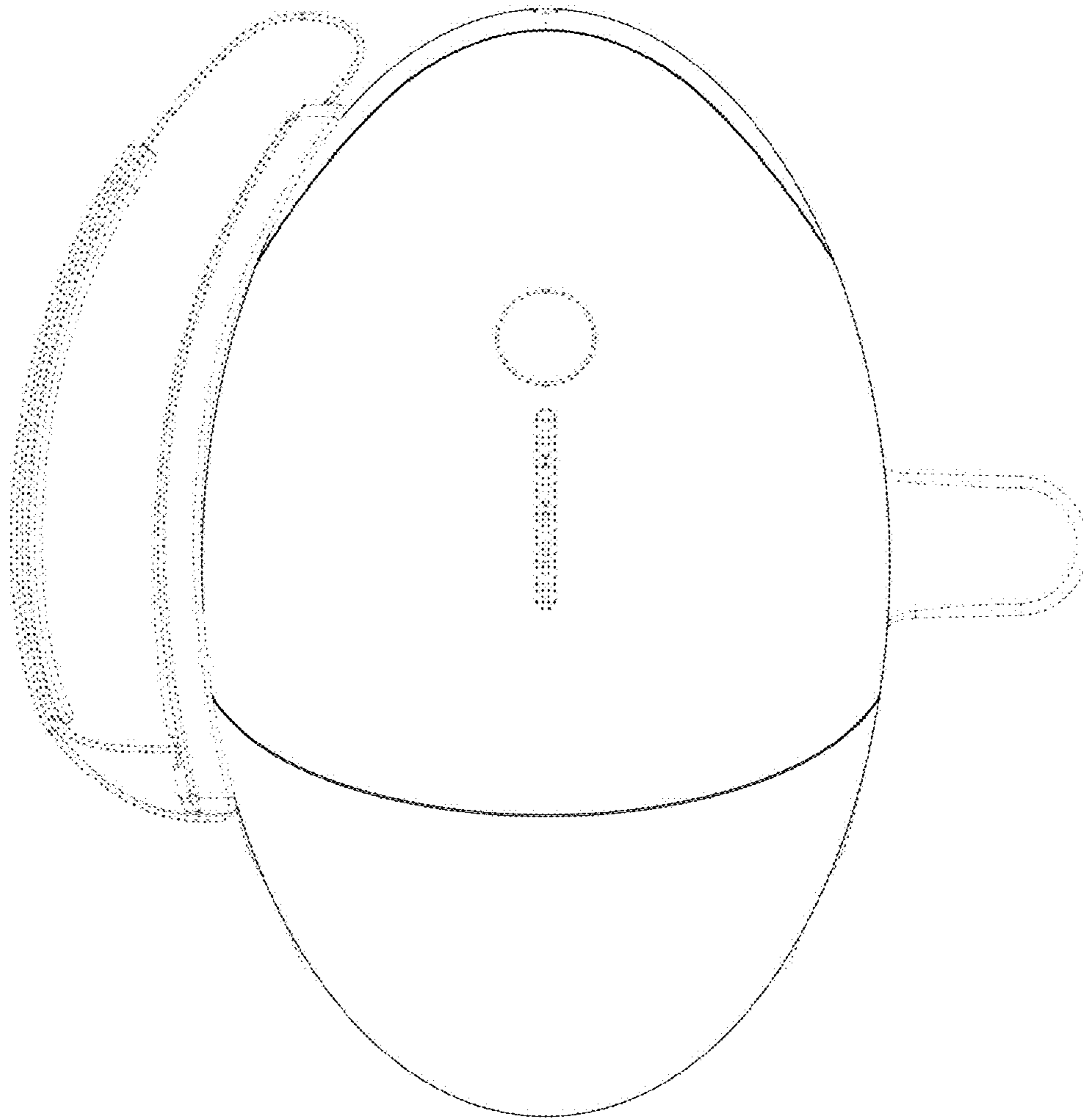


FIG. 23

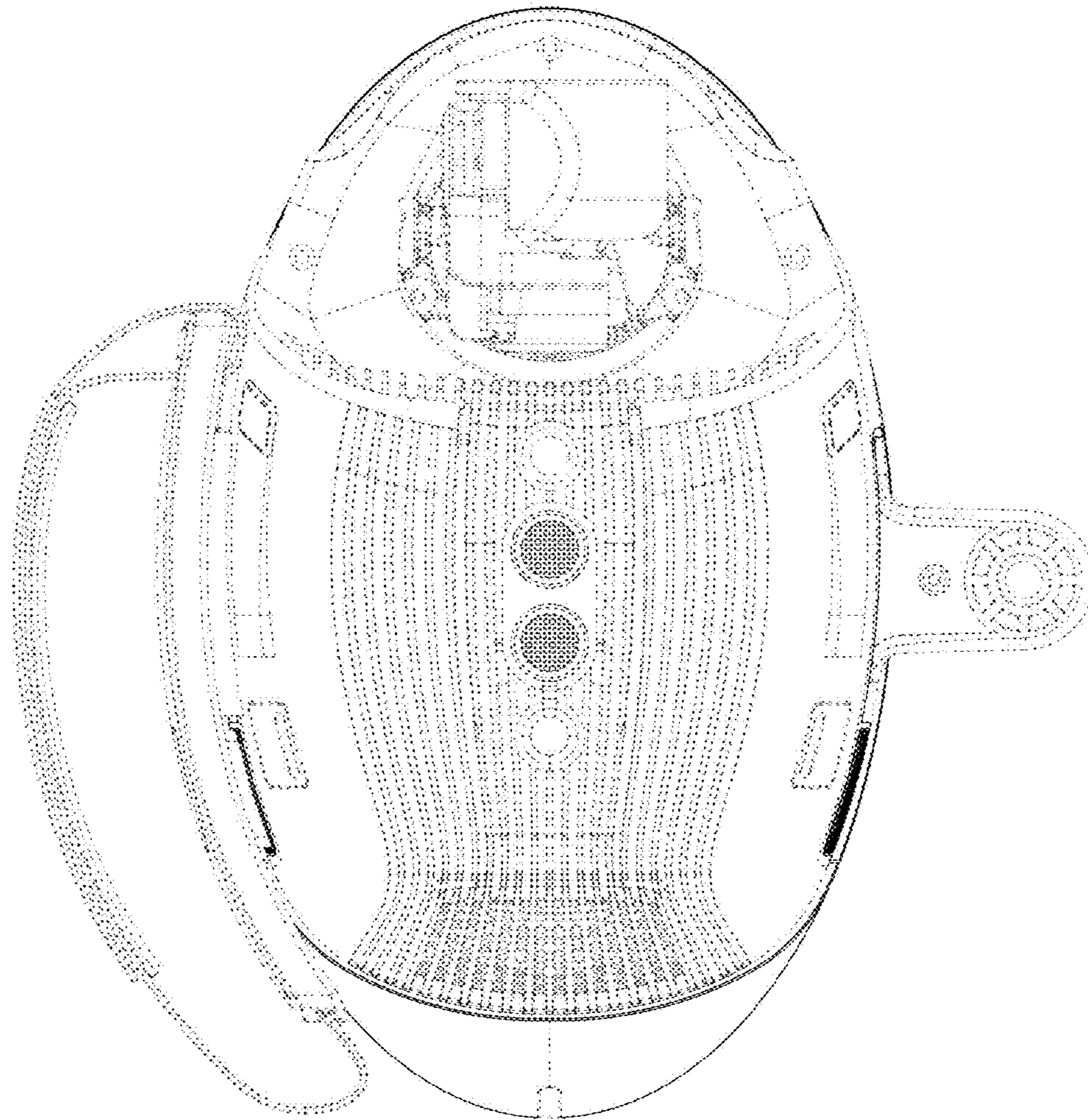


FIG. 24