



US00D938860S

(12) **United States Design Patent** (10) **Patent No.:** **US D938,860 S**
Bao (45) **Date of Patent:** **** Dec. 21, 2021**

(54) **UNMANNED AERIAL VEHICLE**
(71) Applicant: **Liying Bao**, Zhangzhou (CN)
(72) Inventor: **Liying Bao**, Zhangzhou (CN)
(**) Term: **15 Years**
(21) Appl. No.: **29/735,570**
(22) Filed: **May 22, 2020**
(51) **LOC (13) Cl.** **12-01**
(52) **U.S. Cl.**
USPC **D12/16.1**
(58) **Field of Classification Search**
USPC D12/1-4, 16.1, 319-345, 400, 159, 160,
D12/190, 196, 203; D21/436-453
CPC B64C 27/20; B64C 2201/024; B64C
2201/104; B64C 2201/021; B64C
2201/141
See application file for complete search history.

D865,637 S * 11/2019 Zhang D12/328
D867,470 S * 11/2019 Haley D21/436
D869,334 S * 12/2019 Stroppiana D12/16.1
D872,004 S * 1/2020 Nunes D12/328
D874,338 S * 2/2020 Zhao D12/16.1
D875,021 S * 2/2020 Nunes D12/326
D875,023 S * 2/2020 Lee D12/328
D884,554 S * 5/2020 Chen D12/16.1
10,737,766 B2 * 8/2020 Mores B64C 11/46
D894,790 S * 9/2020 Chen D12/16.1
D906,170 S * 12/2020 Thompson D12/16.1
D925,399 S * 7/2021 Zhang D12/16.1
D932,369 S * 10/2021 Passley D12/16.1
2016/0122015 A1 * 5/2016 Hutson B64C 39/024
244/17.23
2016/0221671 A1 * 8/2016 Fisher B64C 27/08
2016/0288901 A1 * 10/2016 Fisher B64D 27/24
2016/0340021 A1 * 11/2016 Zhang B64C 27/08
2017/0032587 A1 * 2/2017 Cheatham, III G07C 5/008
2017/0053674 A1 * 2/2017 Fisher B64C 39/024
2017/0073070 A1 * 3/2017 Xing B60F 3/0061
2017/0152060 A1 * 6/2017 Morisawa B64C 39/02
2017/0190423 A1 * 7/2017 Salgueiro B64F 1/12

(Continued)

Primary Examiner — Marissa J Cash

(56) **References Cited**
U.S. PATENT DOCUMENTS

D659,771 S * 5/2012 Seydoux D21/441
D708,272 S * 7/2014 Schmelter D21/441
D741,751 S * 10/2015 Klaptocz D12/16.1
D756,842 S * 5/2016 Ashjaee D12/16.1
D761,690 S * 7/2016 Friesmuth D12/16.1
D776,569 S * 1/2017 Baruchin D12/16.1
D779,595 S * 2/2017 Xiao D21/441
D789,248 S * 6/2017 Ketcher D12/16.1
D798,192 S * 9/2017 Zhang D12/16.1
D808,301 S * 1/2018 Goldy D12/16.1
D811,264 S * 2/2018 Zhang D12/16.1
D814,385 S * 4/2018 Zhao D12/328
D816,581 S * 5/2018 Zhao D12/328
D825,669 S * 8/2018 Tompkin D21/441
D843,890 S * 3/2019 Yang D12/16.1
10,351,234 B1 * 7/2019 Dennis B64C 27/08
D860,047 S * 9/2019 Gan D12/16.1

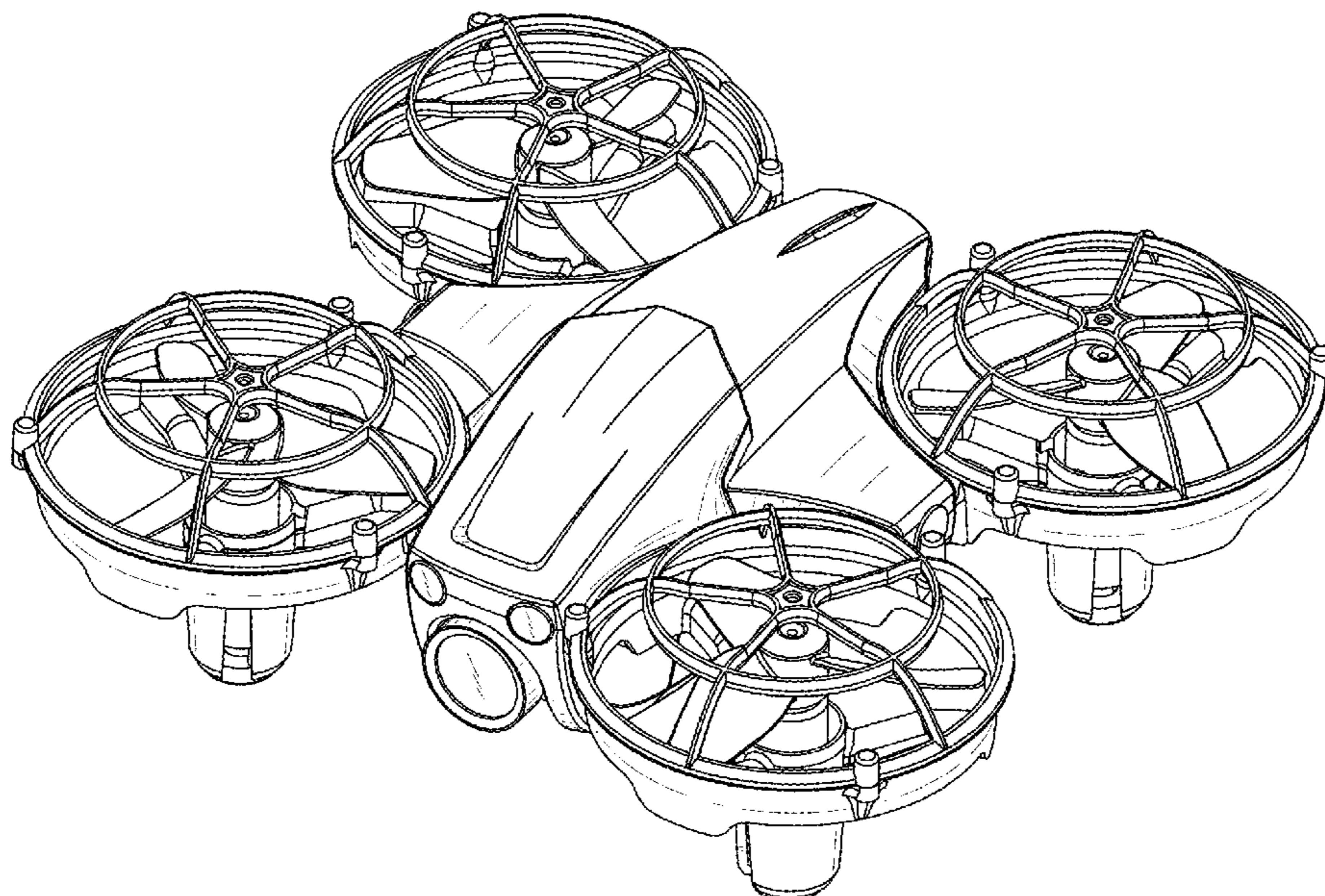
(57) **CLAIM**

The ornamental design for an unmanned aerial vehicle, as shown and described.

DESCRIPTION

FIG. 1 is a front, top perspective view of an unmanned aerial vehicle showing my new design;
FIG. 2 is a rear, bottom perspective view thereof;
FIG. 3 is a front elevational view thereof;
FIG. 4 is a rear elevational view thereof;
FIG. 5 is a left side elevational view thereof;
FIG. 6 is a right side elevational view thereof;
FIG. 7 is a top plan view thereof; and,
FIG. 8 is a bottom plan view thereof.

1 Claim, 8 Drawing Sheets



(56)

References Cited

U.S. PATENT DOCUMENTS

2017/0193707	A1 *	7/2017	Seiler	B64D 31/06
2017/0225783	A1 *	8/2017	Fisher	B64C 27/20
2017/0323257	A1 *	11/2017	Cheatham, III ...	G06Q 10/0631
2017/0341776	A1 *	11/2017	McClure	G05D 1/102
2018/0155016	A1 *	6/2018	Tian	B64C 25/32
2018/0257775	A1 *	9/2018	Baek	B64C 27/006
2018/0288303	A1 *	10/2018	Wang	G01S 17/86
2018/0319496	A1 *	11/2018	Zhang	B64C 1/30
2019/0144116	A1 *	5/2019	Yuan	B64C 27/20
				701/3
2019/0152597	A1 *	5/2019	Van Niekerk	B64C 39/024
2019/0248480	A1 *	8/2019	Whitten, Jr.	B64C 27/28
2019/0382110	A1 *	12/2019	Cottrell	B64C 27/26
2020/0027326	A1 *	1/2020	Ravat	G08B 13/196

* cited by examiner

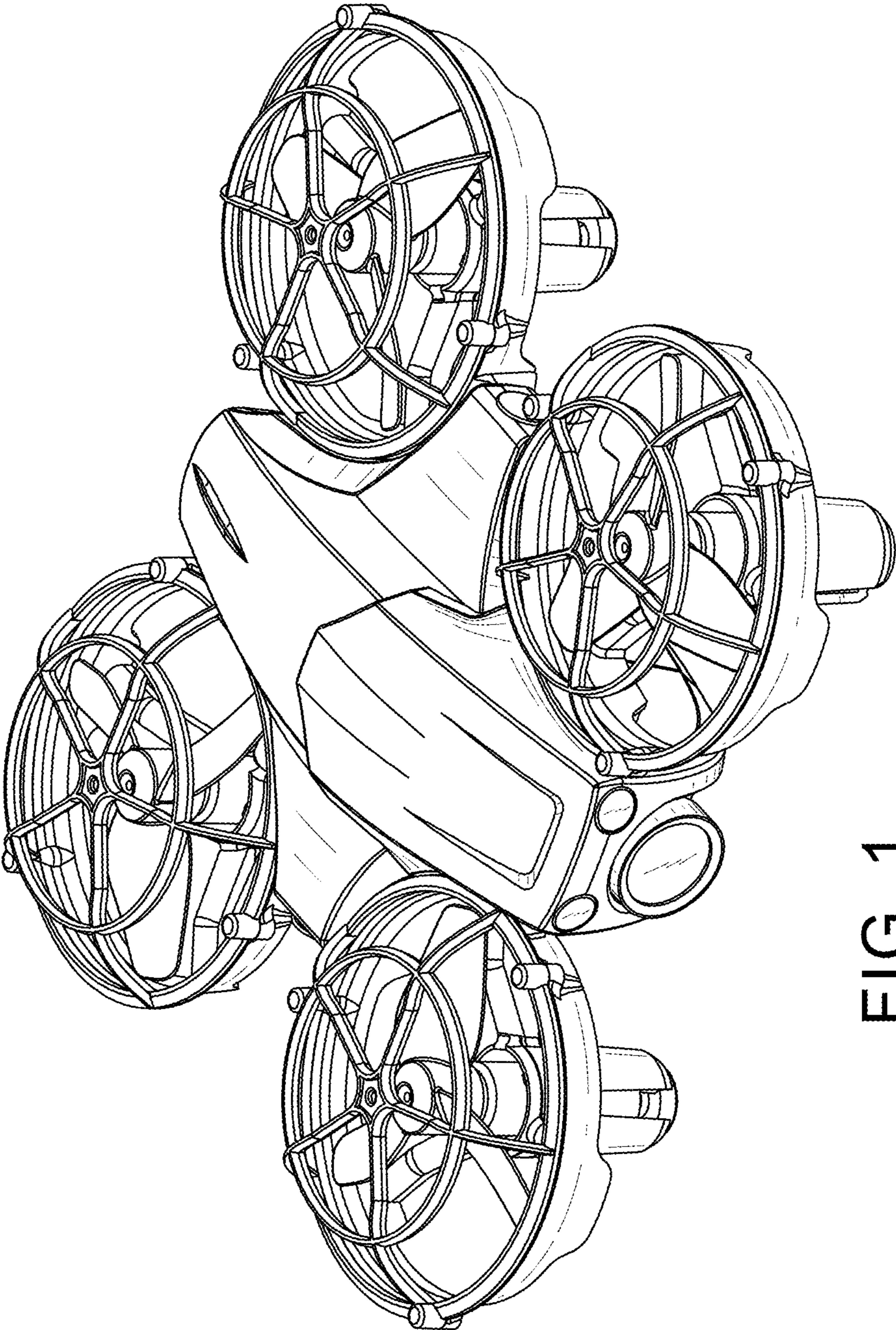


FIG. 1

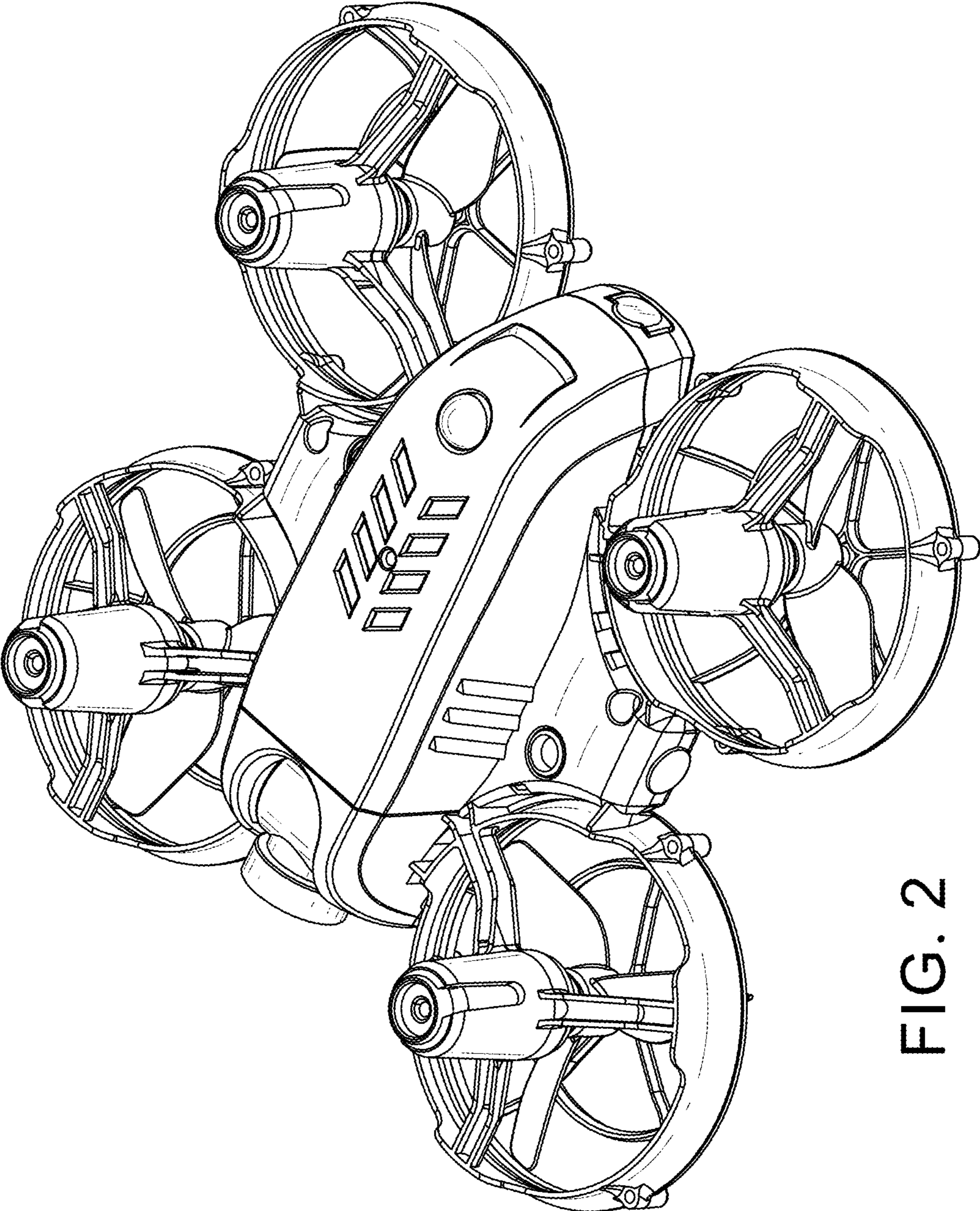


FIG. 2

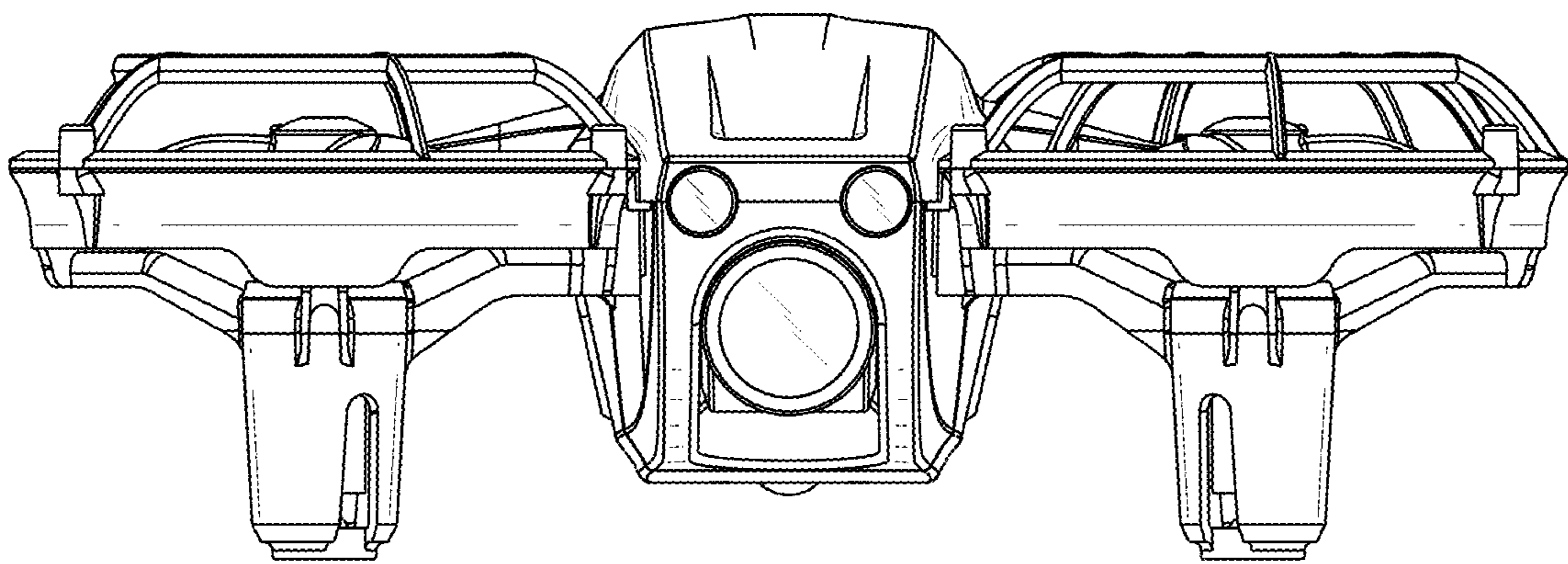


FIG. 3

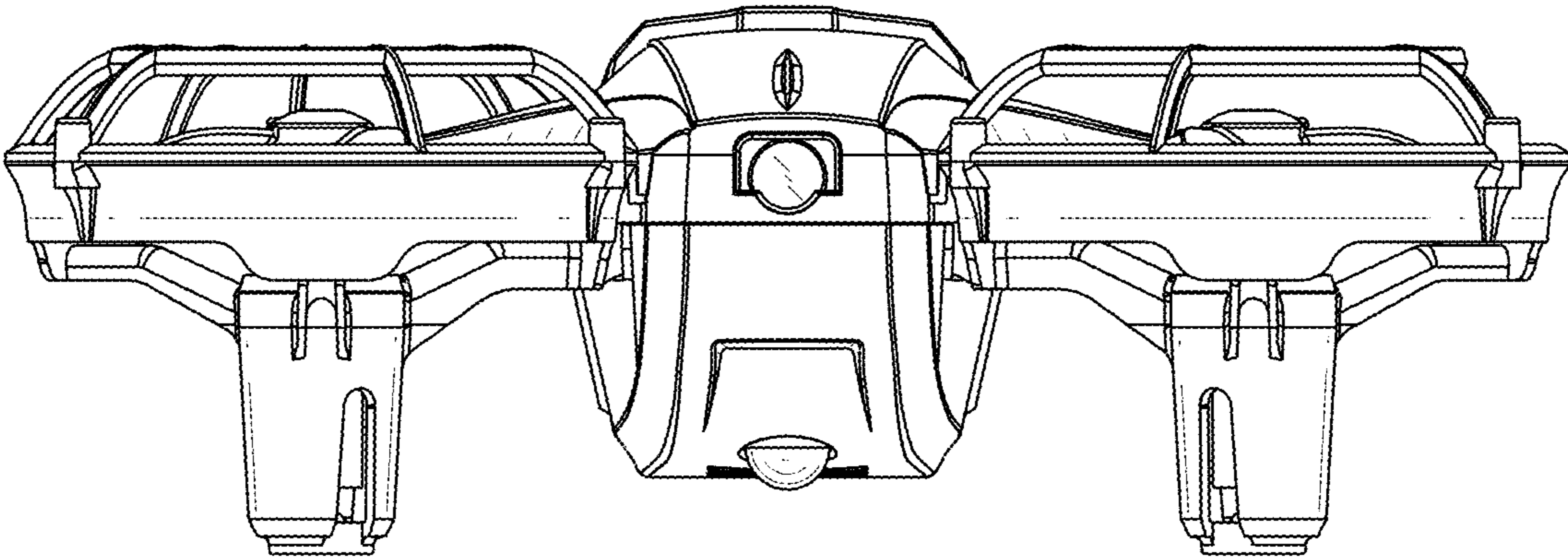


FIG. 4

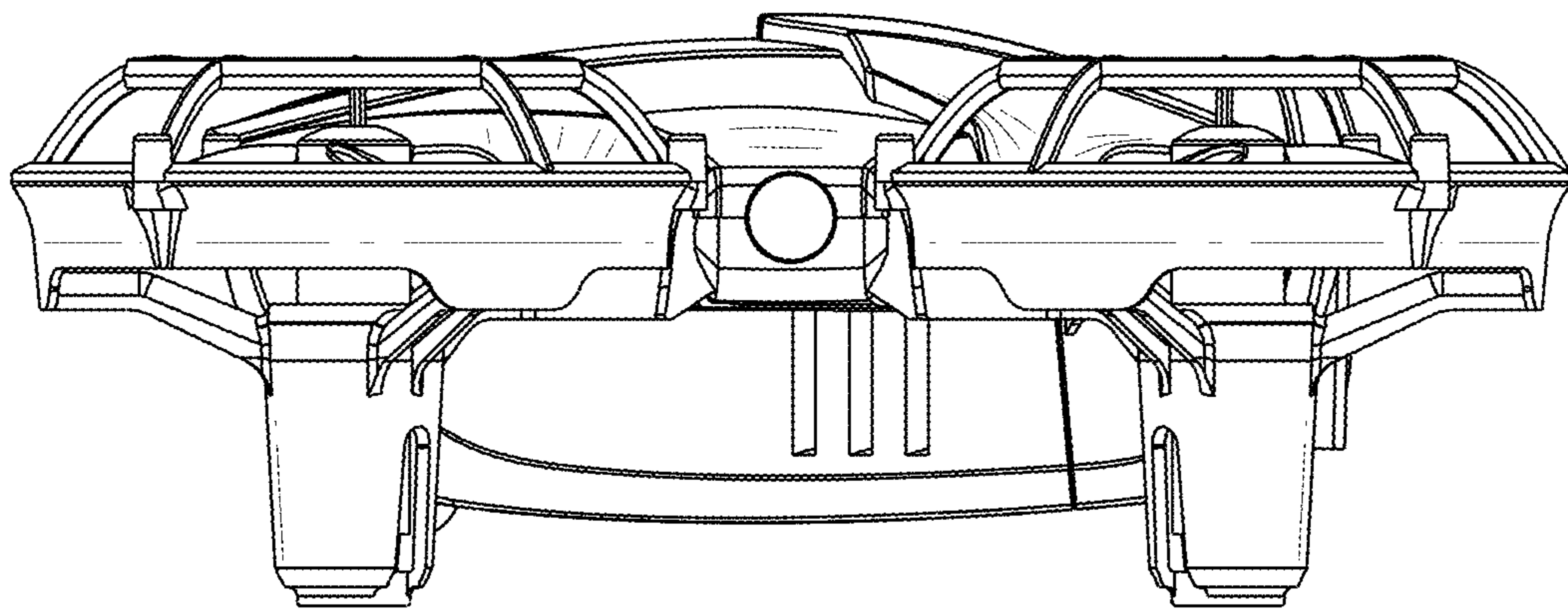


FIG. 5

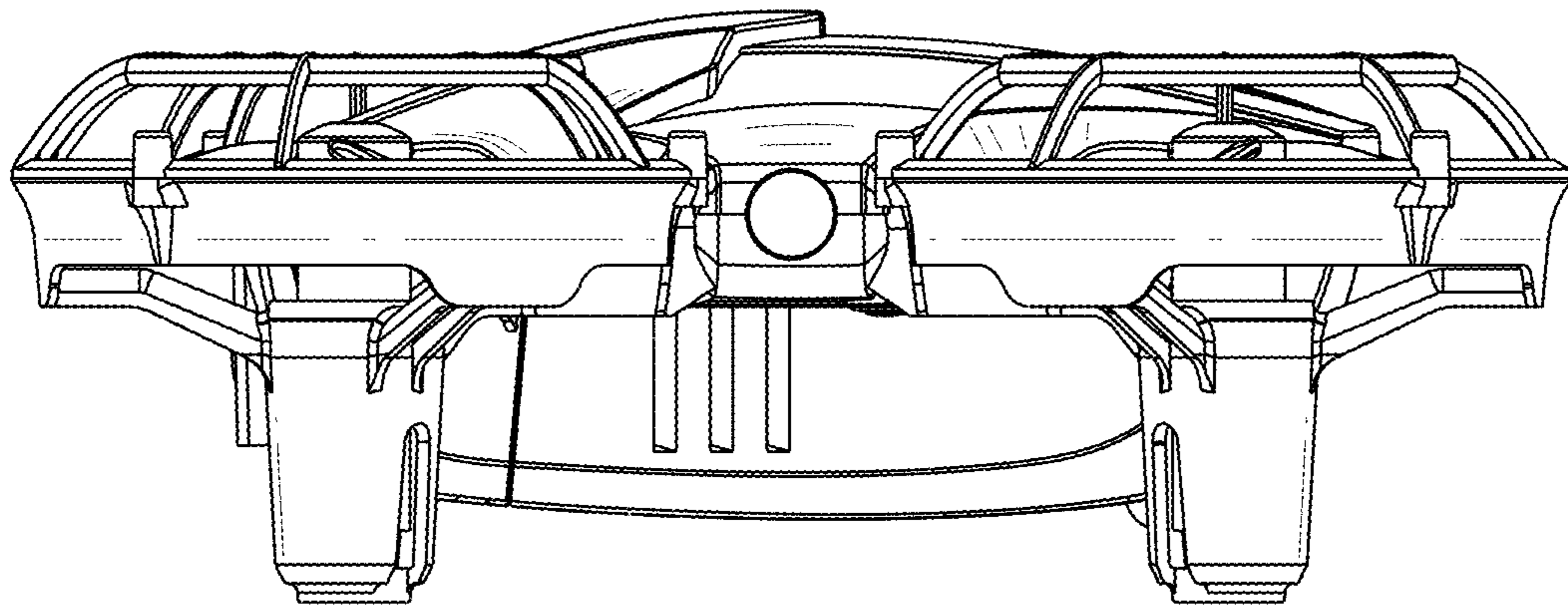


FIG. 6

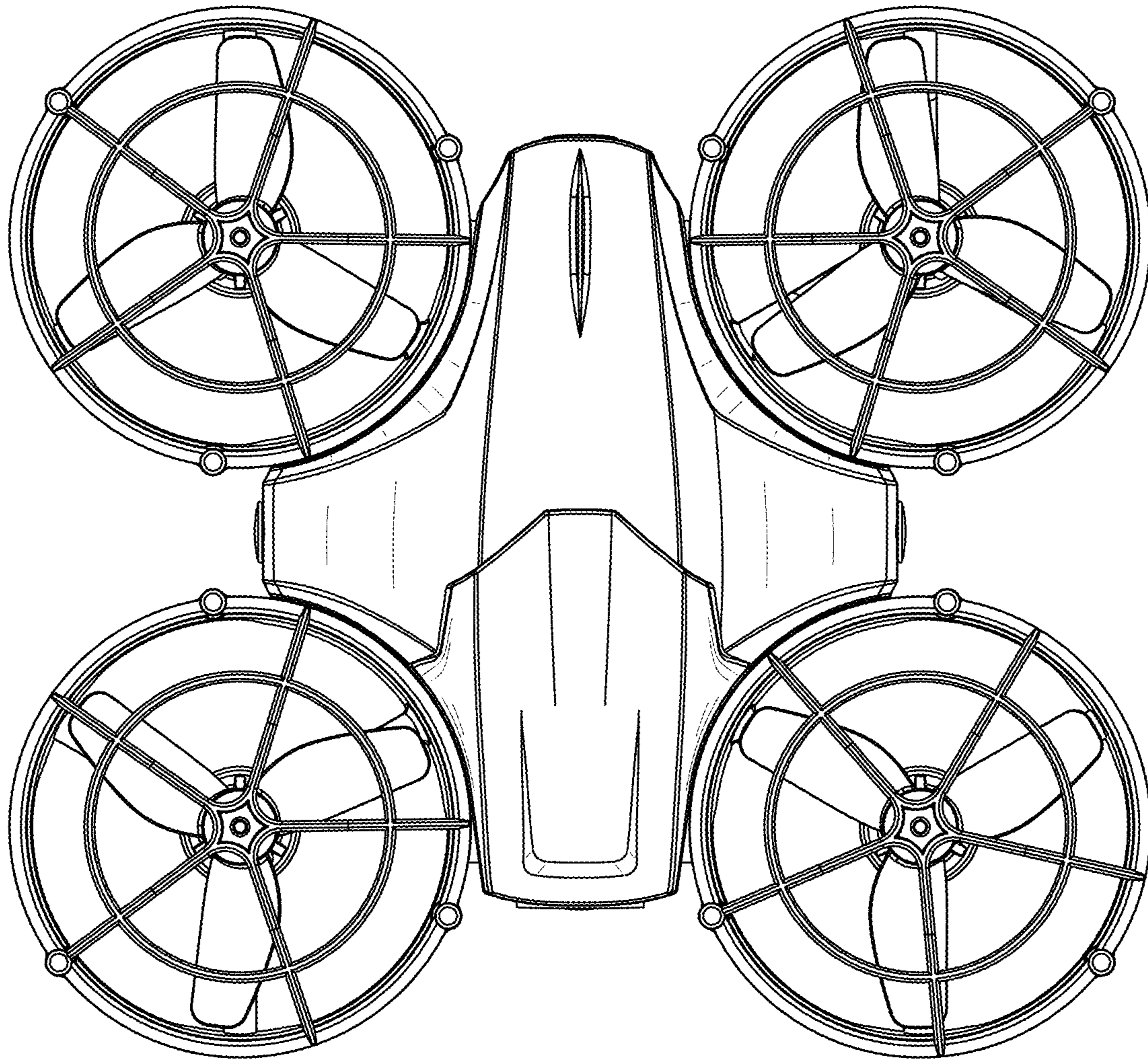


FIG. 7

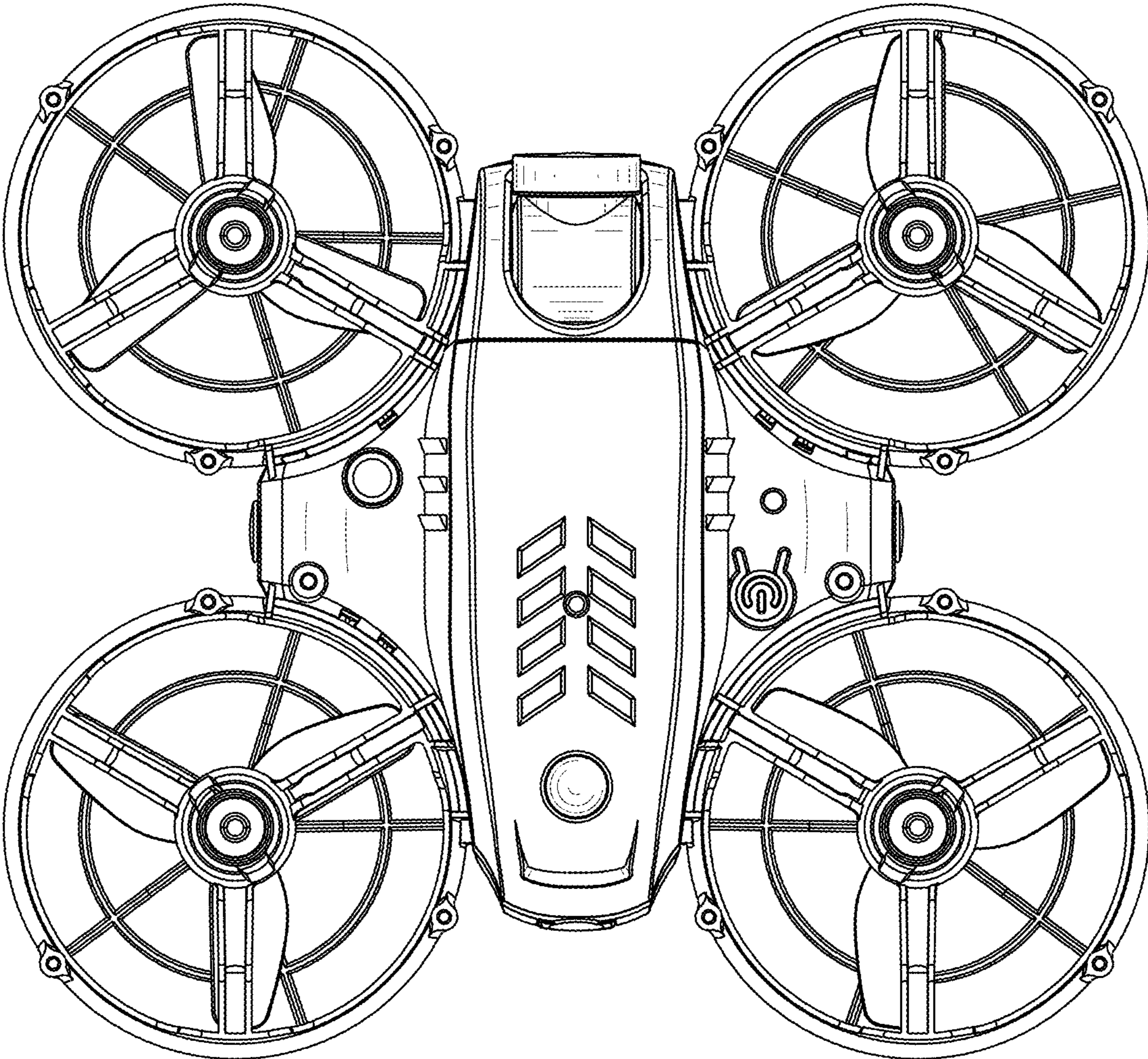


FIG. 8