



US00D938854S

(12) **United States Design Patent**
Kwon

(10) **Patent No.:** **US D938,854 S**

(45) **Date of Patent:** **** Dec. 21, 2021**

(54) **PAIR OF EARRINGS**

(71) Applicant: **Harry Winston SA**, Plan-les-Ouates (CH)

(72) Inventor: **Chaeree Kwon**, New York, NY (US)

(73) Assignee: **Harry Winston SA**, Plan-les-Ouates (CH)

(**) Term: **15 Years**

(21) Appl. No.: **29/730,893**

(22) Filed: **Apr. 9, 2020**

(30) **Foreign Application Priority Data**

Oct. 14, 2019 (WO) WIPO88433

(51) **LOC (13) Cl.** **11-01**

(52) **U.S. Cl.**
USPC **D11/42**

(58) **Field of Classification Search**
USPC D11/1-18, 26-39, 40-45, 47, 75-79, D11/85-86
CPC A44C 7/00-009

See application file for complete search history.

(56) **References Cited**

U.S. PATENT DOCUMENTS

| | | | | | |
|------------|---|---------|--------------|-------|--------|
| D146,143 S | * | 12/1946 | Kaufman | | D11/40 |
| D165,542 S | * | 12/1951 | Philippe | | D11/78 |
| D166,224 S | * | 3/1952 | Philippe | | D11/77 |
| D729,107 S | * | 5/2015 | Riviere | | D11/42 |
| D753,012 S | * | 4/2016 | Yatsugi-Kang | | D11/40 |
| D780,619 S | * | 3/2017 | Riviere | | D11/79 |

FOREIGN PATENT DOCUMENTS

| | | | |
|----|-------------|---|---------|
| WO | D083269-001 | * | 10/2014 |
| WO | D203137-002 | * | 1/2020 |
| WO | D205045-001 | * | 5/2020 |
| WO | D209111-005 | * | 1/2021 |

OTHER PUBLICATIONS

GRS Red 3.52 Carat Burmese No Heat Ruby and Diamond Earring 18k Gold, available 2021, online, site visited Oct. 7, 2021. Available from internet, URL: https://www.1stdibs.com/jewelry/earrings/stud-earrings/grs-red-352-carat-burmese-no-heat-ruby-diamond-earring-18k-gold/id-j_12504462/ (Year: 2021).*

8.45 Carat Yellow Diamond Cluster Earrings, available 2019, online, site visited Oct. 7, 2021. Available from internet, URL: https://www.1stdibs.com/jewelry/earrings/lever-back-earrings/845-carat-yellow-diamond-cluster-earrings/id-j_10421262/ (Year: 2019).*

AGL Certified 6 Carat AAA+ Natural Emerald Diamond Earrings, available 2021, online, site visited Oct. 7, 2021. Available from internet, URL: https://www.1stdibs.com/jewelry/earrings/stud-earrings/agl-certified-6-carat-aaa-natural-emerald-diamond-earrings/id-j_12037892/ (Year: 2021).*

Coloured Diamond and Diamond Earrings, available 2021, online, site visited Oct. 7, 2021. Available from internet, URL: https://onlineonly.christies.com/s/jewels-online/coloured-diamond-diamond-earrings-51/129075?ldp_breadcrumb=back (Year: 2021).*

* cited by examiner

Primary Examiner — W. A. Teddy Falloway

Assistant Examiner — Sarah J Ault

(74) *Attorney, Agent, or Firm* — Blank Rome LLP

(57) **CLAIM**

The ornamental design for a pair of earrings, as shown and described.

DESCRIPTION

FIG. 1 is a front view of a pair of earrings of the present design;

FIG. 2 is a rear view thereof;

FIG. 3 is a right side view thereof;

FIG. 4 is a left side view thereof;

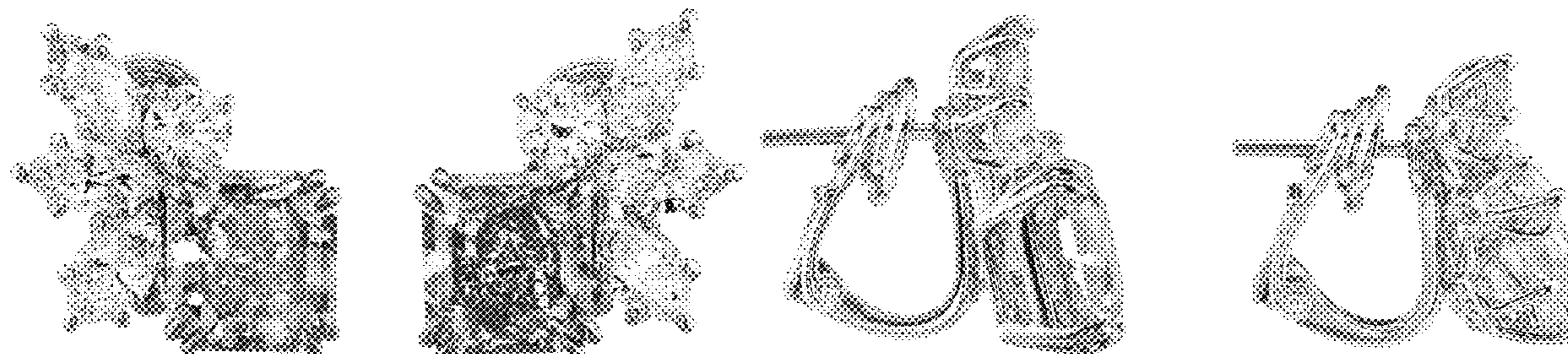
FIG. 5 is a top rear perspective view thereof;

FIG. 6 is a bottom view thereof;

FIG. 7 is a front right perspective view thereof; and,

FIG. 8 is a rear left perspective view thereof.

1 Claim, 8 Drawing Sheets



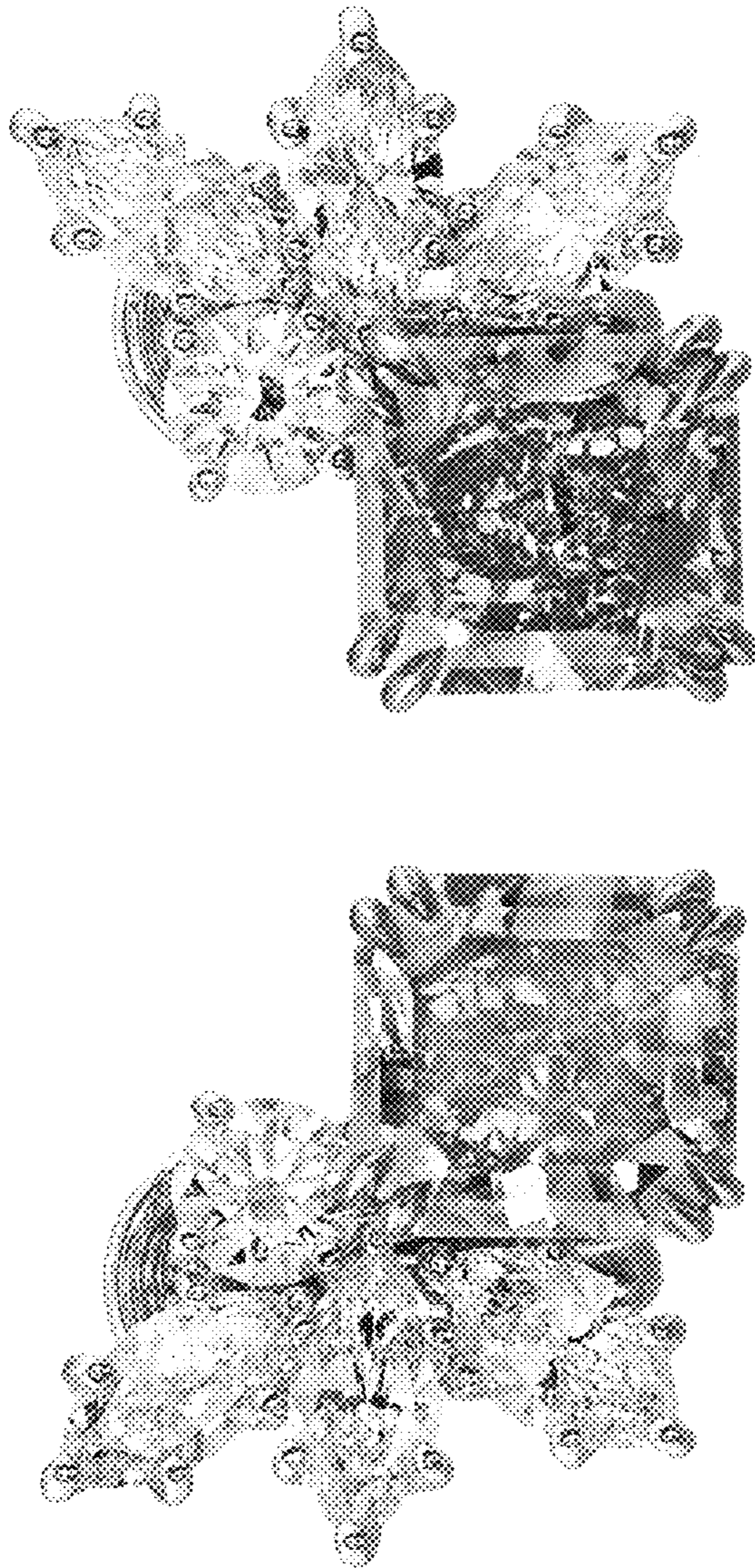


FIG. 1

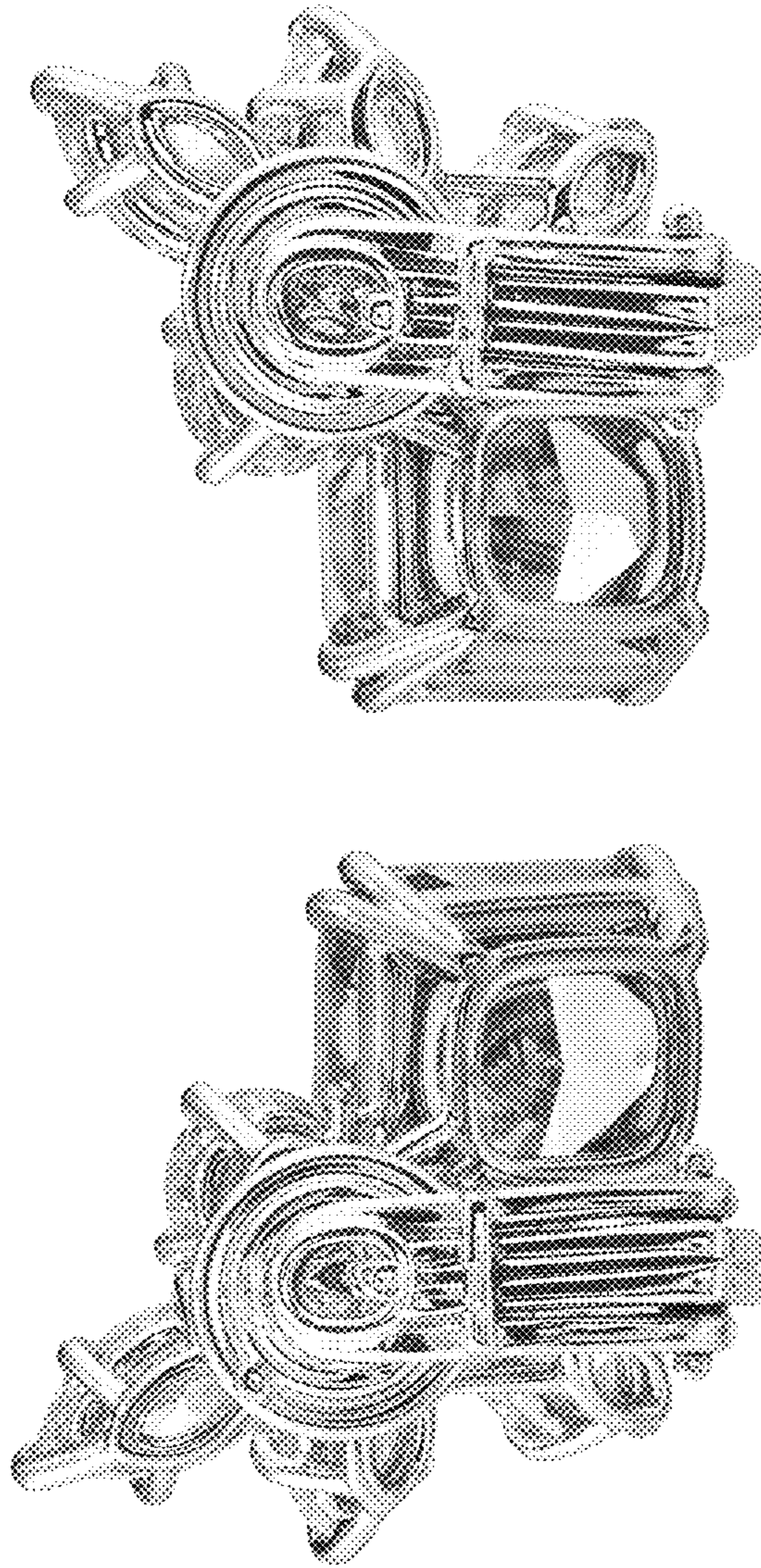


FIG. 2

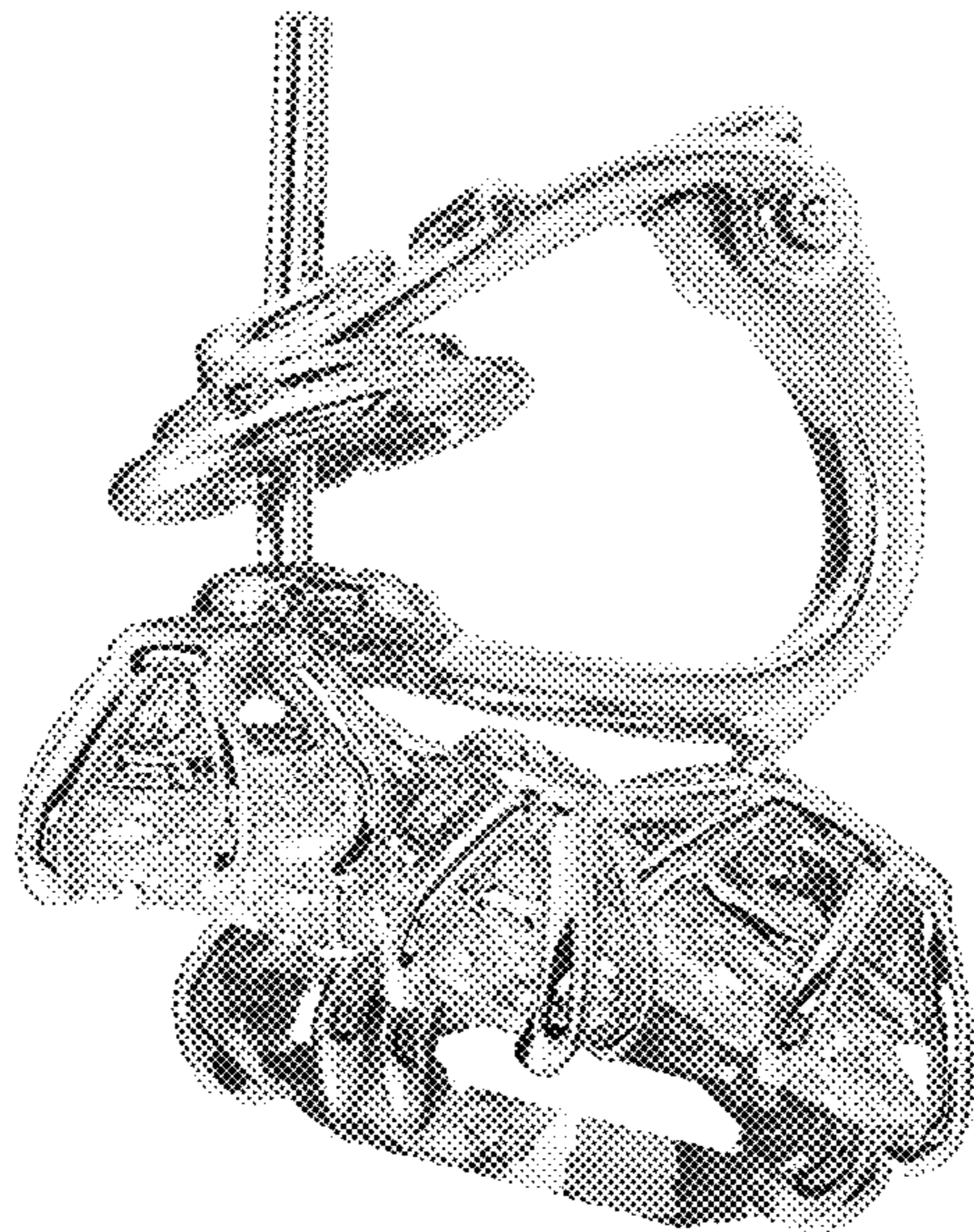
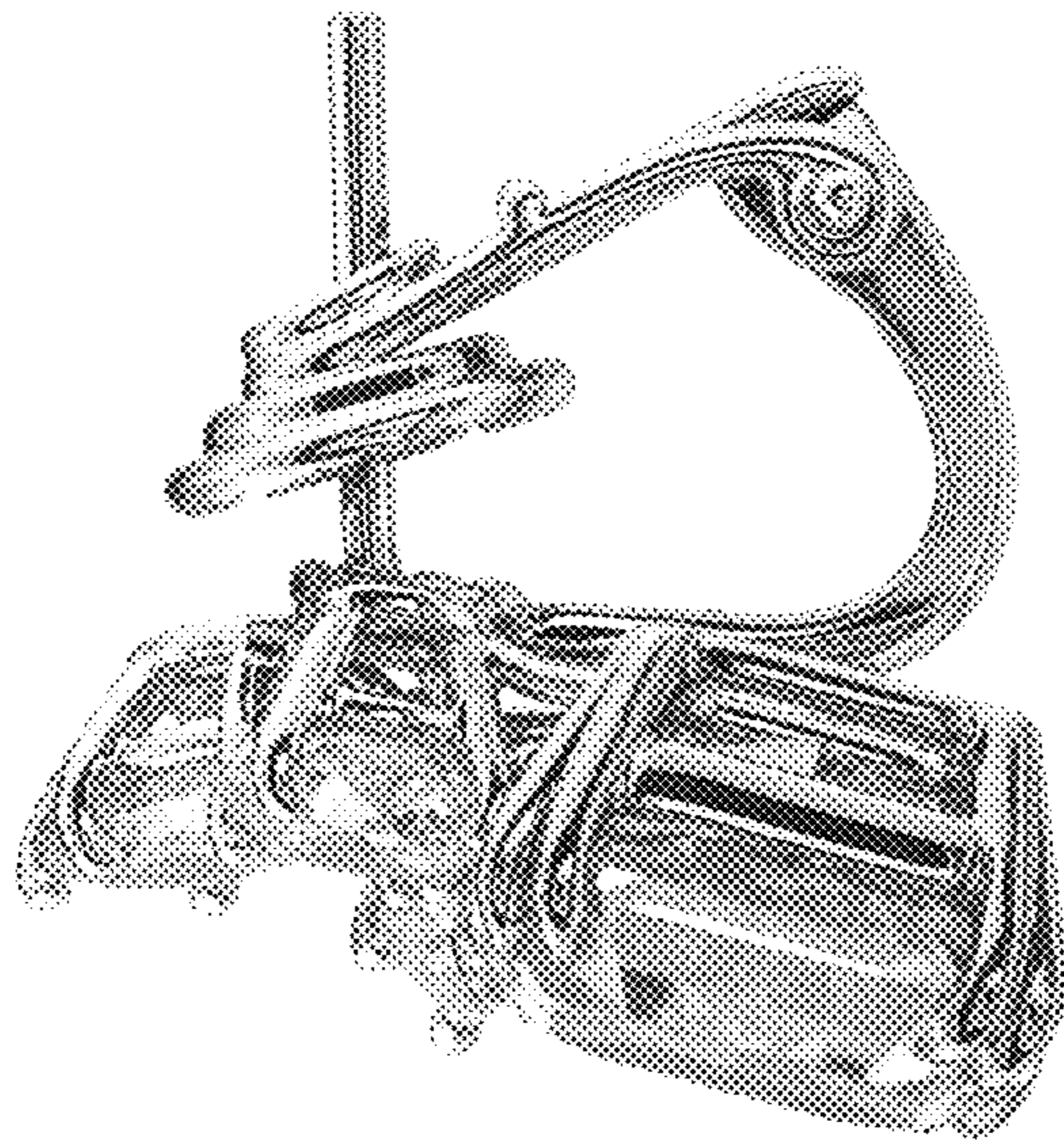


FIG. 3

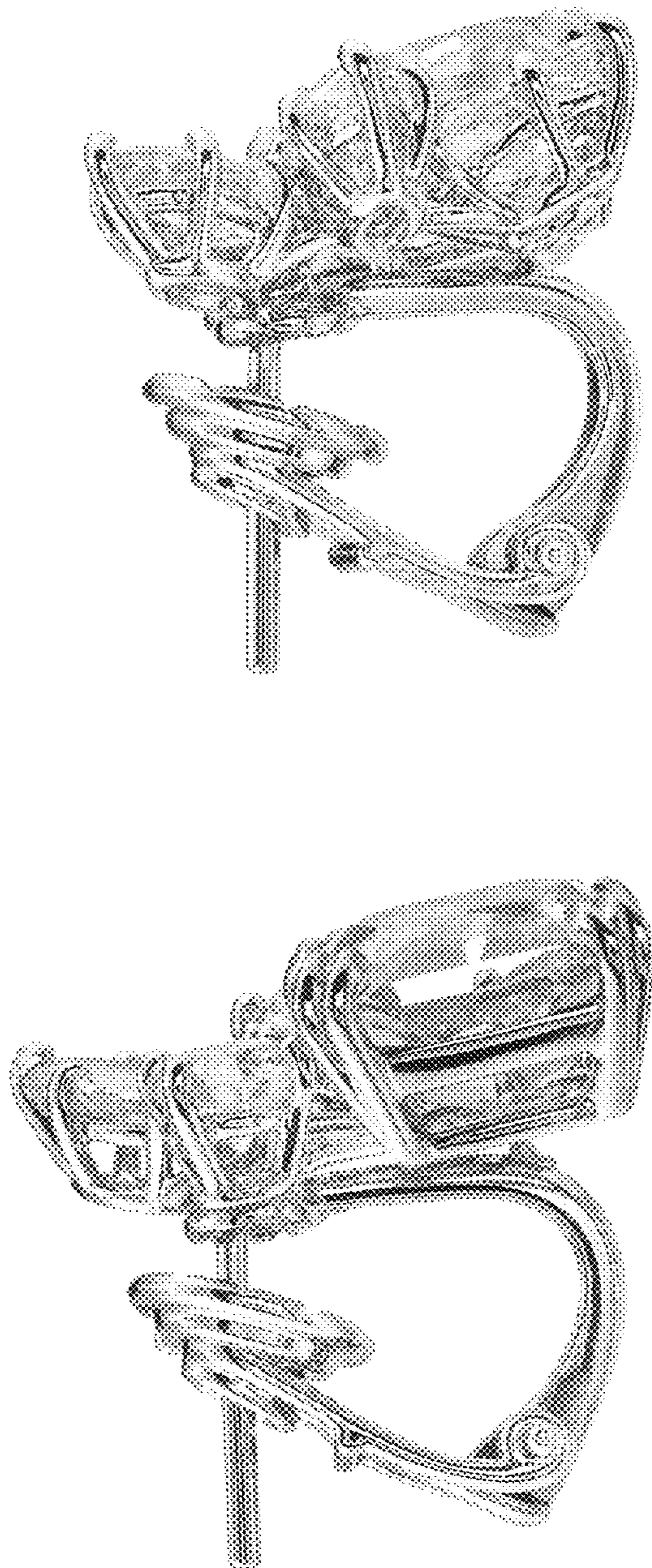


FIG. 4

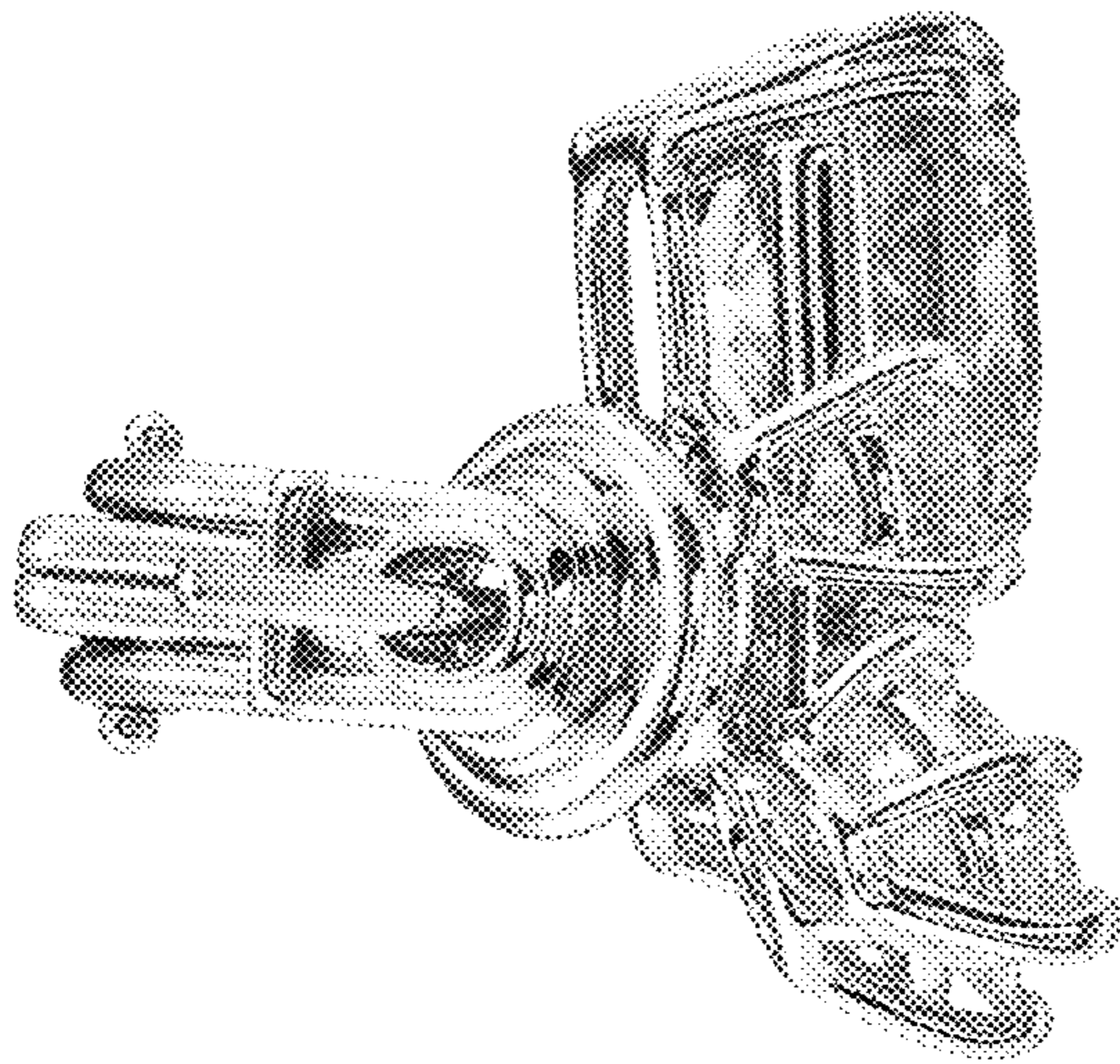
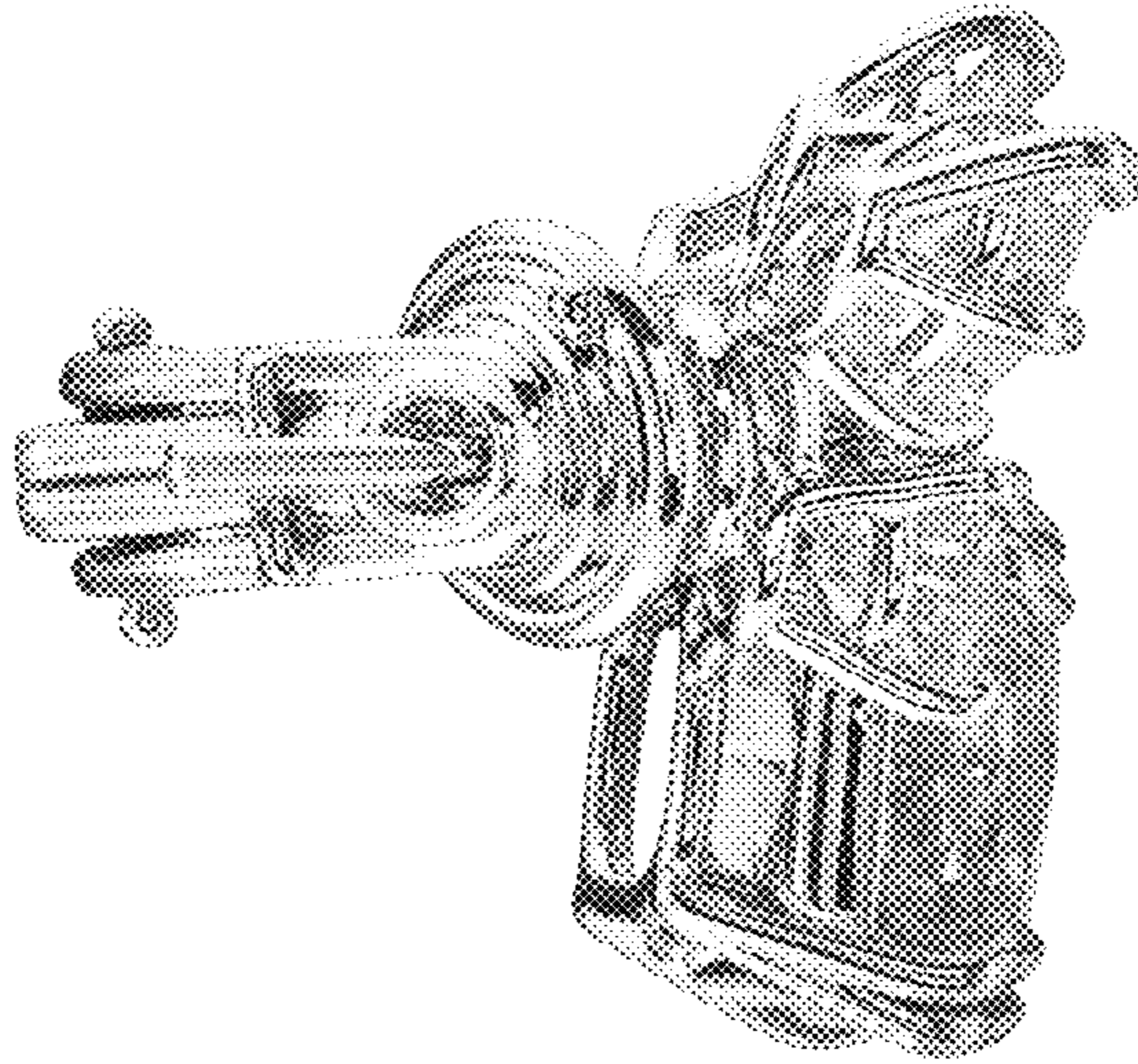


FIG. 5

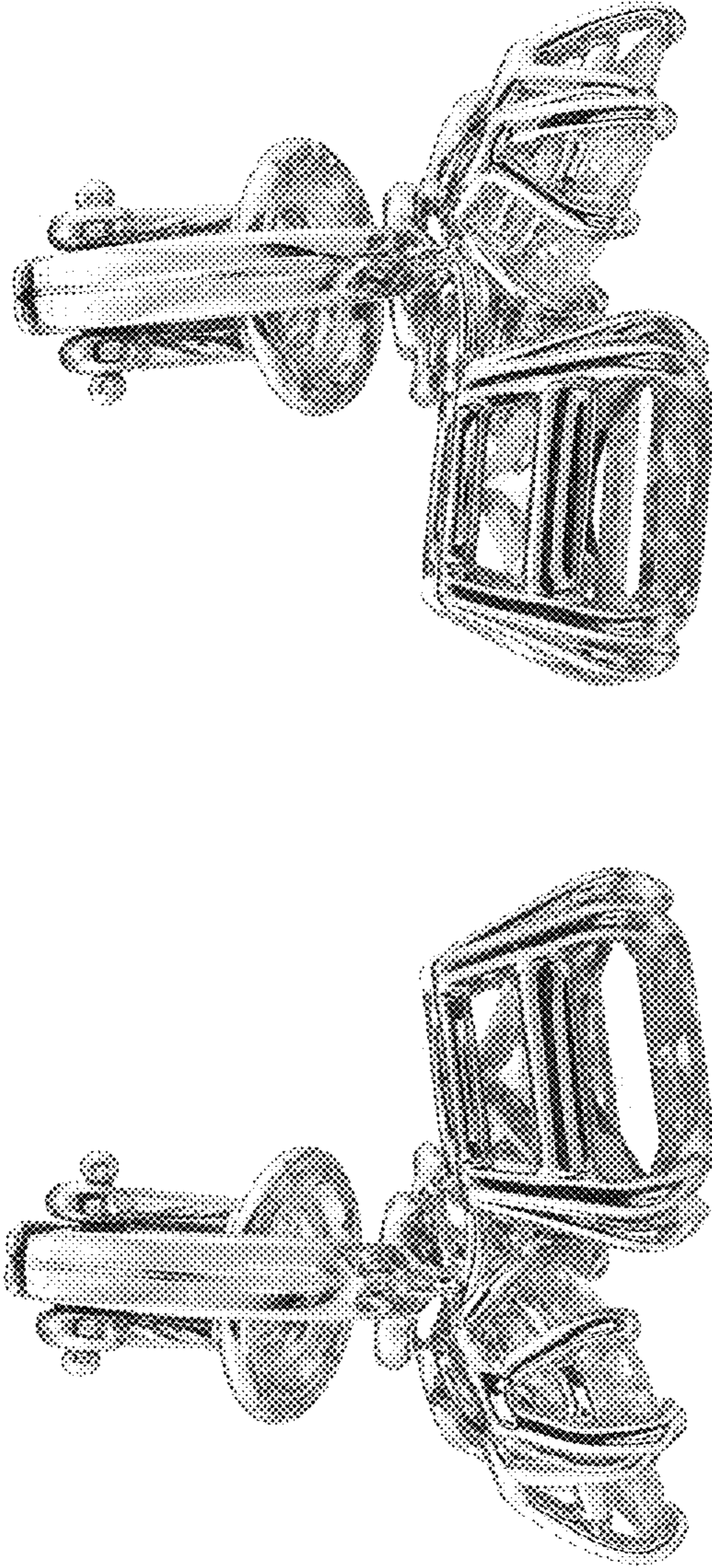


FIG. 6

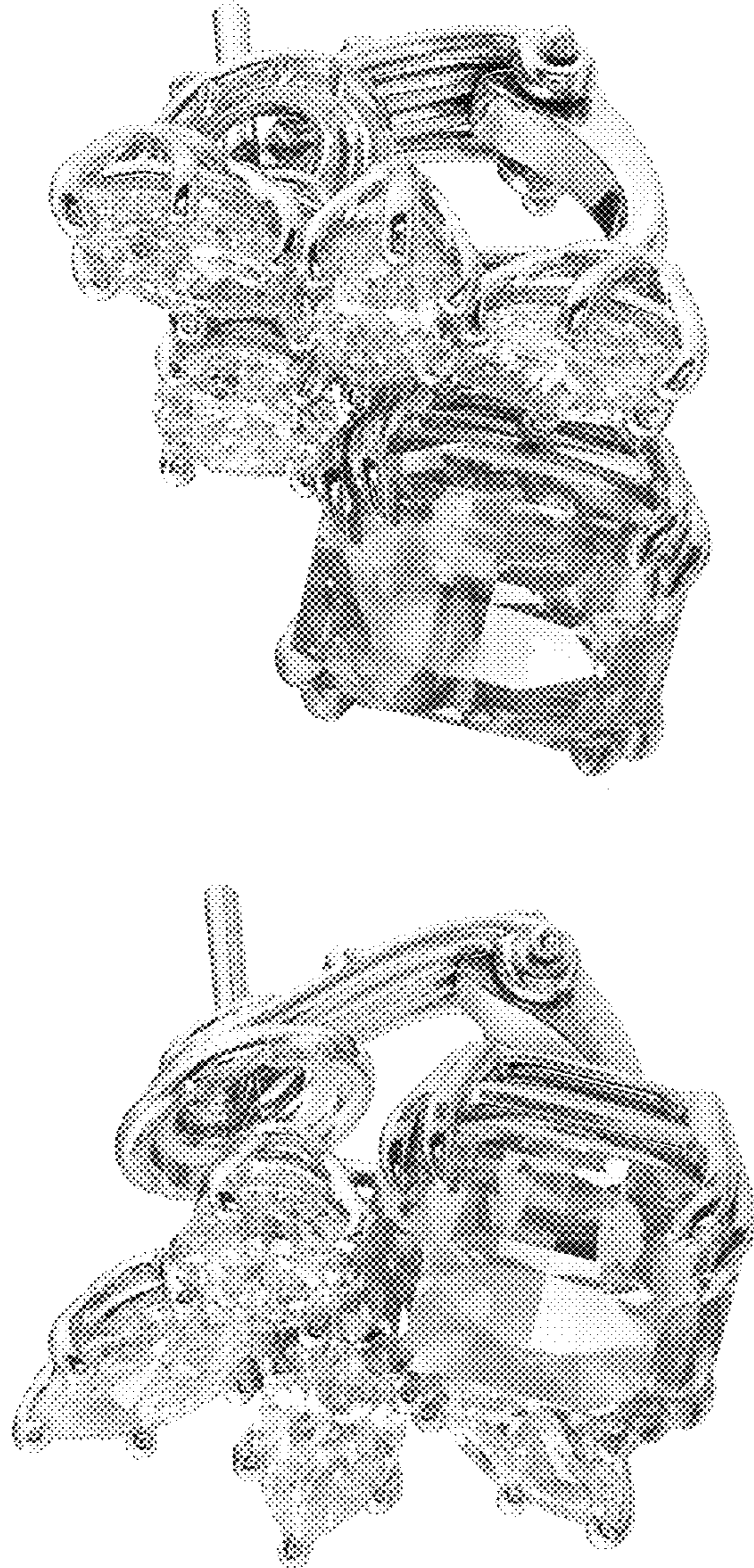


FIG. 7

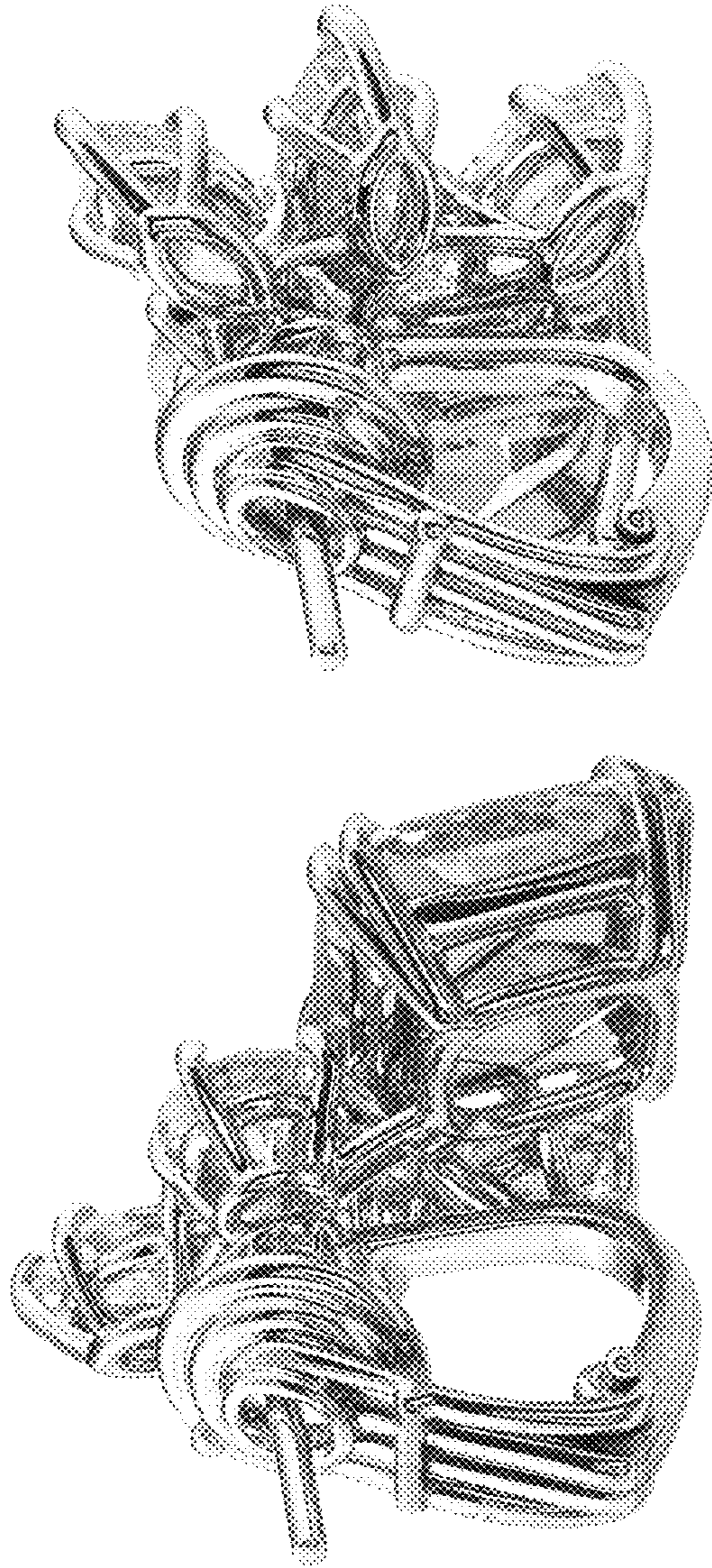


FIG. 8