



US00D938847S

(12) **United States Design Patent** (10) **Patent No.:** **US D938,847 S**  
**Behling** (45) **Date of Patent:** **\*\* Dec. 21, 2021**

(54) **DIAL AND VISIBLE PARTS OF THE WATCH MOVEMENT**

(56) **References Cited**

U.S. PATENT DOCUMENTS

(71) Applicant: **LVMH SWISS MANUFACTURES SA, La Chaux-de-Fonds (CH)**

D481,324 S *	10/2003	Filiberti .....	D10/128
D636,692 S *	4/2011	Pospieszny .....	D10/129
D642,084 S *	7/2011	Garcia .....	D10/124
D742,271 S *	11/2015	Boulangéot .....	D10/129
D864,781 S *	10/2019	Behling .....	D10/129
D879,641 S *	3/2020	Behling .....	D10/126
D887,288 S *	6/2020	Behling .....	D10/38
D894,777 S *	9/2020	Ugarte .....	D10/129
D894,778 S *	9/2020	Ugarte .....	D10/129
D894,779 S *	9/2020	Calvani .....	D10/129
D920,828 S *	6/2021	Behling .....	D10/126

(72) Inventor: **Christoph Behling, Londres (GB)**

(\*\*) Term: **15 Years**

(21) Appl. No.: **35/510,122**

(22) Filed: **Jul. 9, 2019**

\* cited by examiner

(80) **Hague Agreement Data**

Int. Filing Date: **Jul. 9, 2019**  
 Int. Reg. No.: **DM/209759**  
 Int. Reg. Date: **Jul. 9, 2019**  
 Int. Reg. Pub. Date: **Aug. 21, 2020**

*Primary Examiner* — George D. Kirschbaum

(57) **CLAIM**

The ornamental design for dial and visible parts of the watch movement, as shown and described.

**DESCRIPTION**

(30) **Foreign Application Priority Data**

Jan. 11, 2019 (WO) ..... IBDM/201368

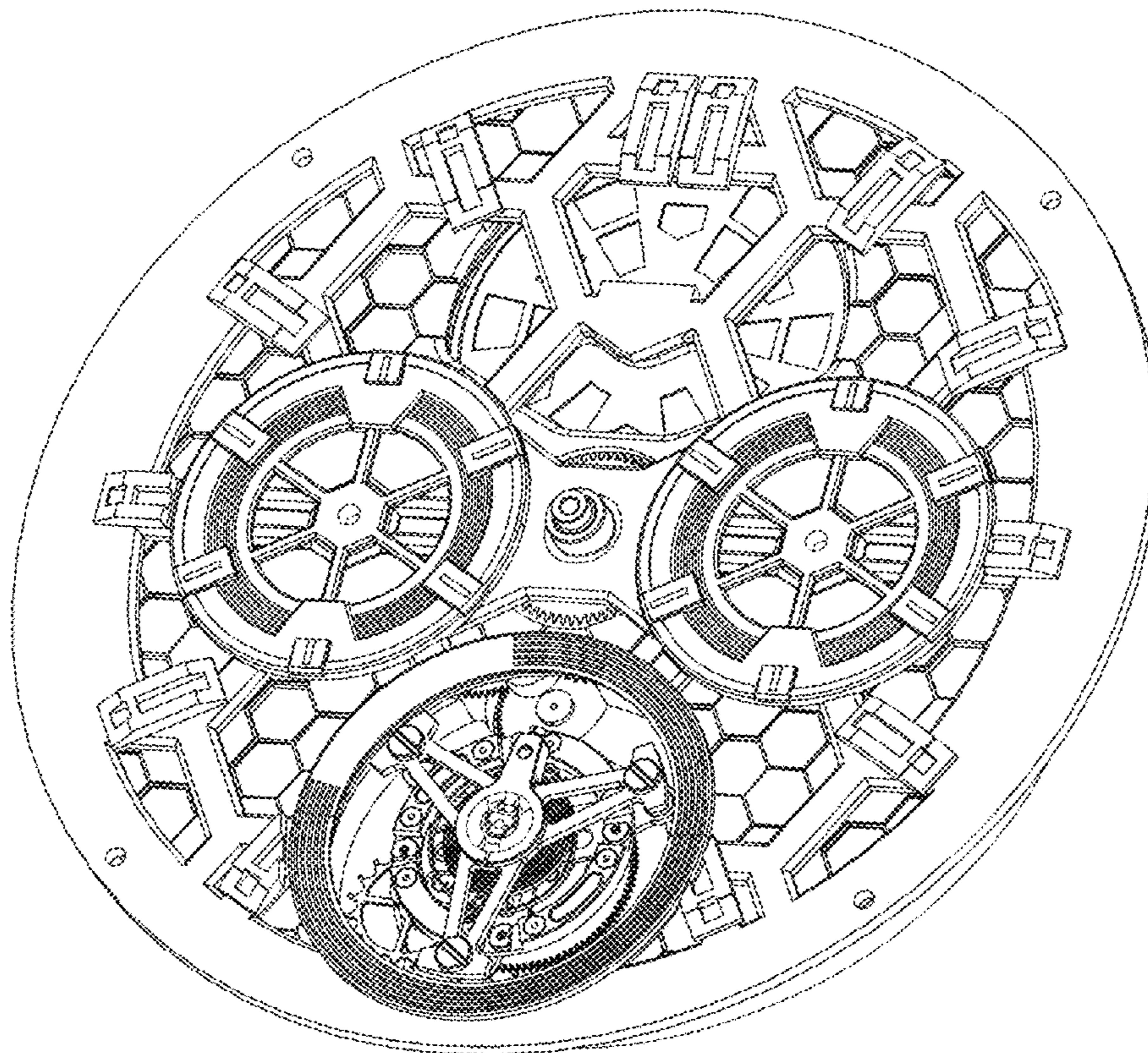
(51) **LOC (13) Cl.** ..... **10-07**

(52) **U.S. Cl.**  
USPC ..... **D10/129**

(58) **Field of Classification Search**  
 USPC ..... D10/128–130, 124, 126, 38  
 CPC ..... G04B 11/008; B29C 45/1657  
 See application file for complete search history.

1. Dial and visible parts of the watch movement
- 1.1 : Perspective
- 1.2 : Front
- 1.3 : Back
- 1.4 : Right
- 1.5 : Left
- 1.6 : Bottom
- 1.7 : Top

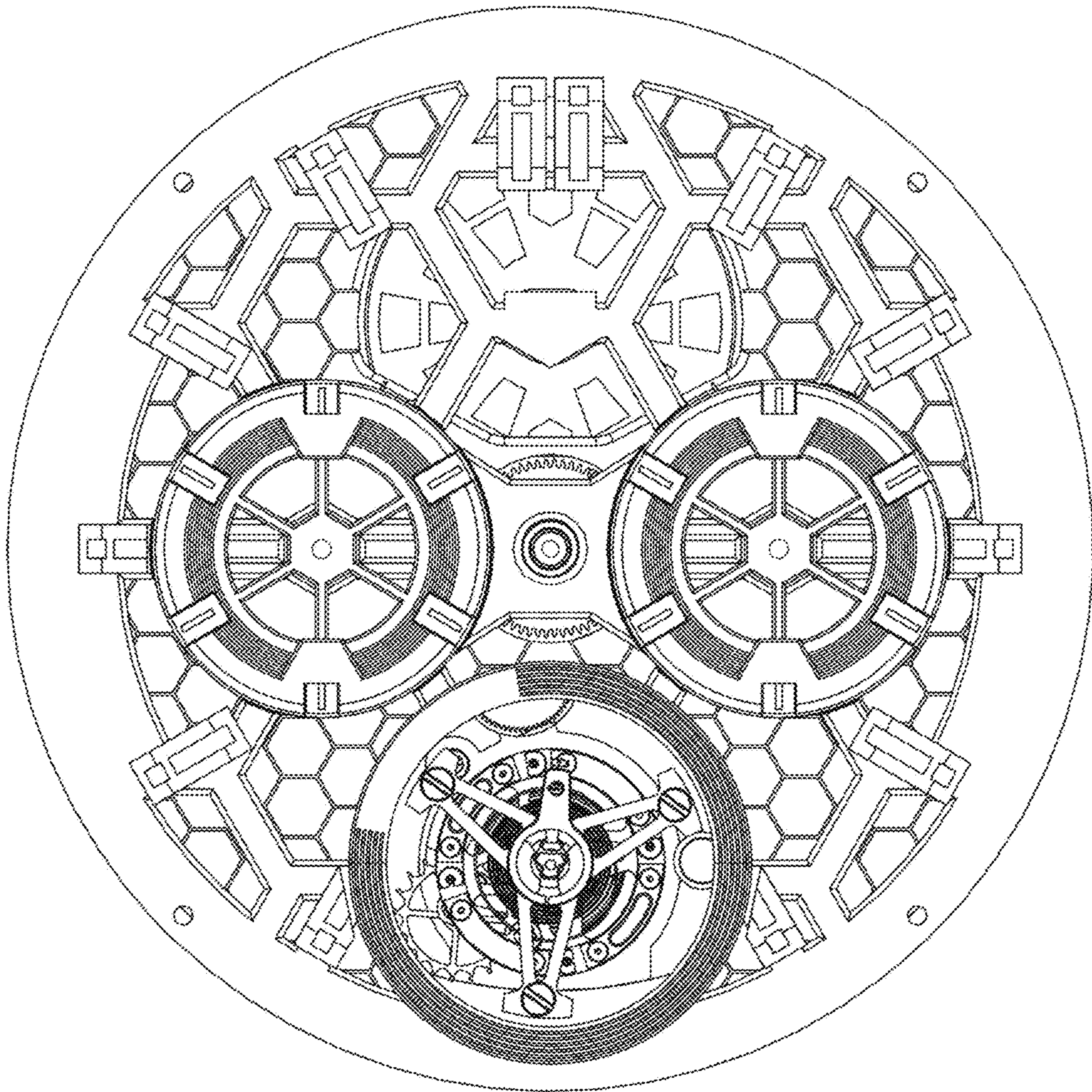
**1 Claim, 7 Drawing Sheets**



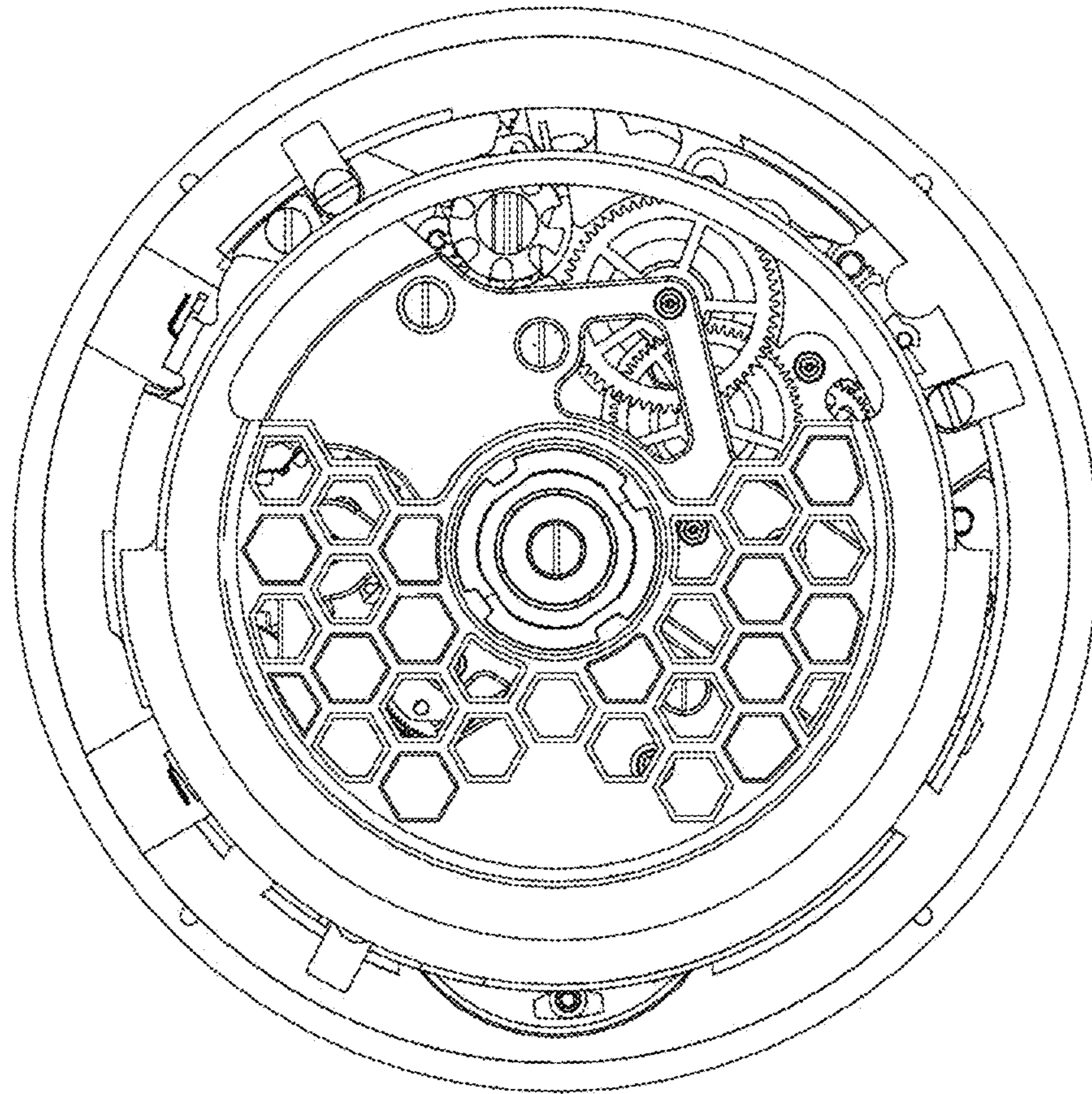
1.1



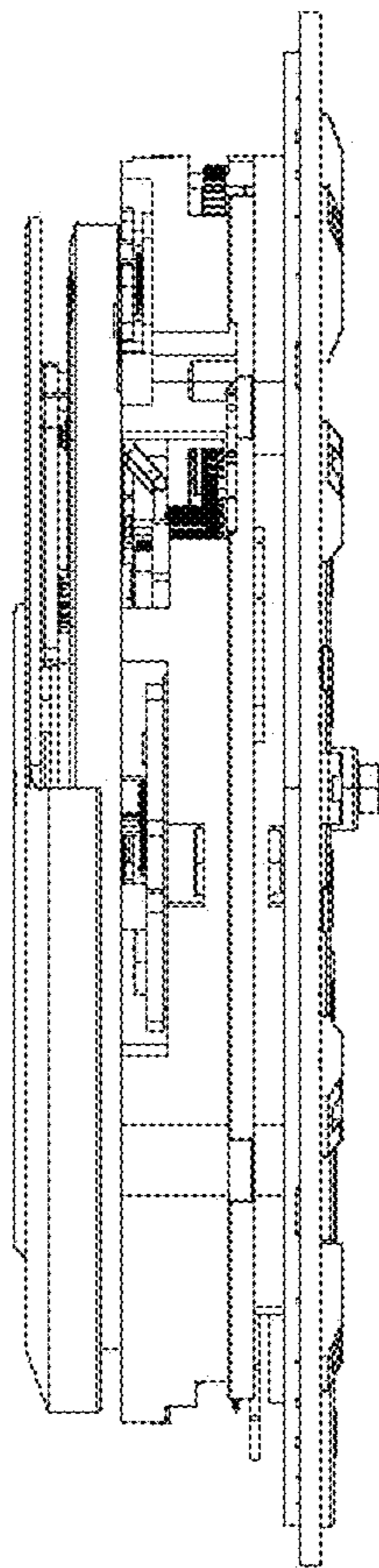
1.2



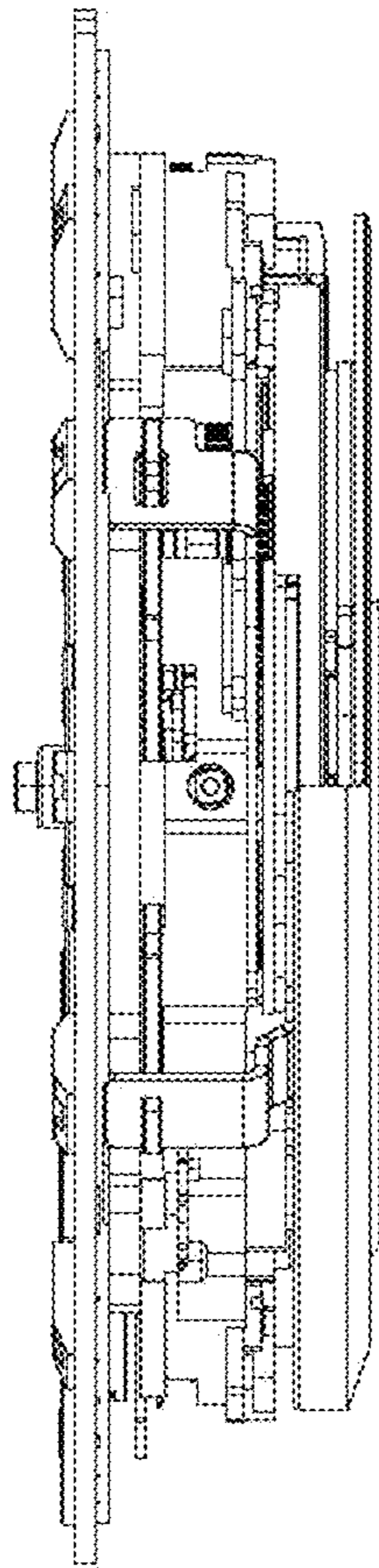
1.3



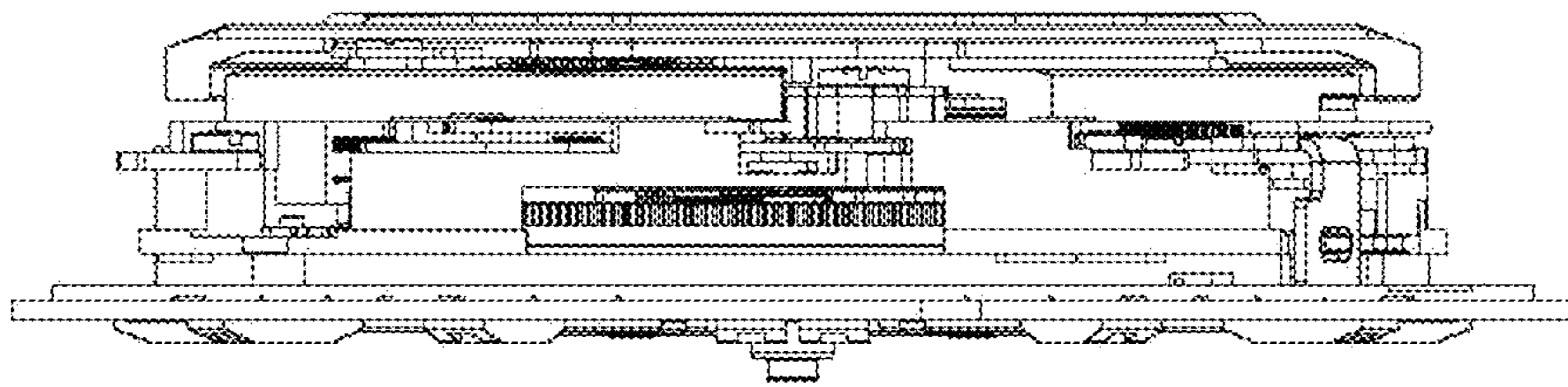
1.4



1.5



1.6



1.7

