



US00D938845S

(12) **United States Design Patent**
Kim et al.

(10) **Patent No.:** **US D938,845 S**
(45) **Date of Patent:** **** Dec. 21, 2021**

(54) **ROAD WEIGHER FOR VEHICLE**
(71) Applicant: **CAS Corporation**, Yangju-si (KR)
(72) Inventors: **Dong Jin Kim**, Seoul (KR); **Tae In Kim**, Seoul (KR)

(73) Assignee: **CAS Corporation**, Yangju-si (KR)

(**) Term: **15 Years**

(21) Appl. No.: **29/729,587**

(22) Filed: **Mar. 27, 2020**

(30) **Foreign Application Priority Data**

Oct. 7, 2019 (KR) 30-2019-0047799

(51) **LOC (13) Cl.** **10-04**

(52) **U.S. Cl.**
USPC **D10/92**; D10/91

(58) **Field of Classification Search**
USPC D10/83-96
CPC G01G 21/28; G01G 21/00; G01G 21/286;
G01G 21/30; G01G 23/3728; G01G
23/3735; G01G 19/44; G01G 3/14; G01G
19/46; G01G 19/48; G01G 19/50; G01G
21/44; G01G 19/414; G01G 19/4144;
G01G 19/42; G01G 23/166; G01G
19/027; G01G 23/361; G01G 21/23;
G01G 19/02; G01G 23/00; G01G 23/36;
F16F 1/123; A61B 5/053; A61B 5/4872;
A61B 5/0537; A61B 5/4869; A61B 5/68;
A61B 5/6829; A61B 5/7445; A61B
5/1072; A61B 5/25; G06Q 20/3678;
G06Q 20/387; G06Q 20/065; G06Q
20/36; G06Q 20/06; G06Q 20/208; G09B
19/00; G16H 20/00; G16H 40/63

See application file for complete search history.

(56) **References Cited**

U.S. PATENT DOCUMENTS

2,962,276 A * 11/1960 Thurston G01G 19/00
177/126
3,689,161 A * 9/1972 Lill G01B 11/275
356/155
3,949,822 A * 4/1976 English G01G 19/027
177/126

(Continued)

FOREIGN PATENT DOCUMENTS

CN 301451188 * 6/2010
JP D1314222 * 2/2007

(Continued)

OTHER PUBLICATIONS

Selleton.COM, Four Portable Weigh Pads, Date first available Jul. 28, 2017, [online]retrieved Jul. 21, 2021, available from https://www.amazon.com/dp/B074CNK122/ref=sspa_dk_detail_6?psc=1&pd_rd_i=B074CNK122p13NParams&spLa=ZW5jcnlwdGVkUXVhbGhmaWVpPUEySlhYTUdHTkZaSUG5JmVuY3J5cHRIZElkPUEwMTkxNDY1...1/3 (Year: 2017).*

(Continued)

Primary Examiner — Keli L Hill

Assistant Examiner — Sara S Sahneh

(74) *Attorney, Agent, or Firm* — Novick, Kim & Lee, PLLC; Jae Youn Kim; Jihun Kim

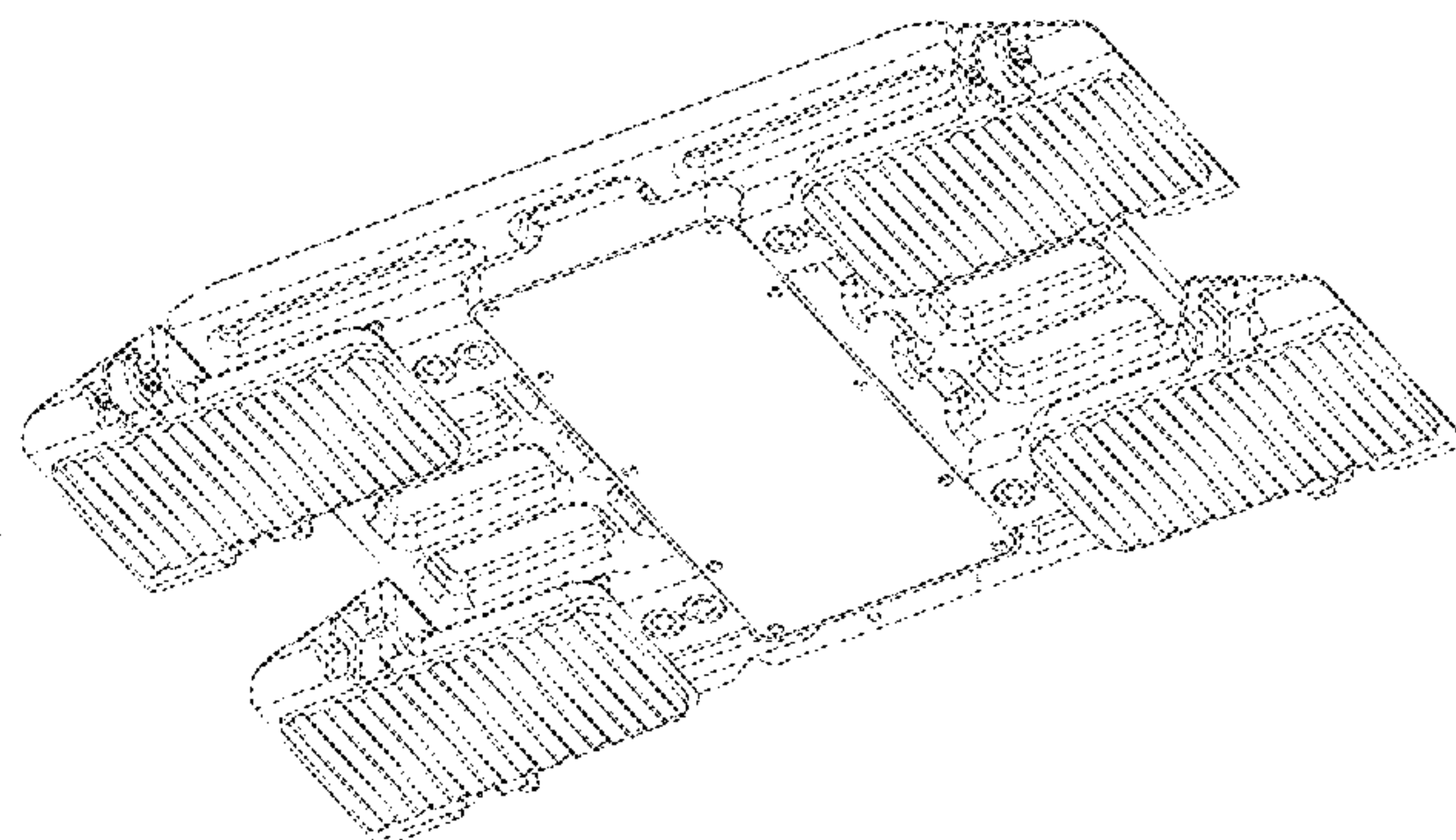
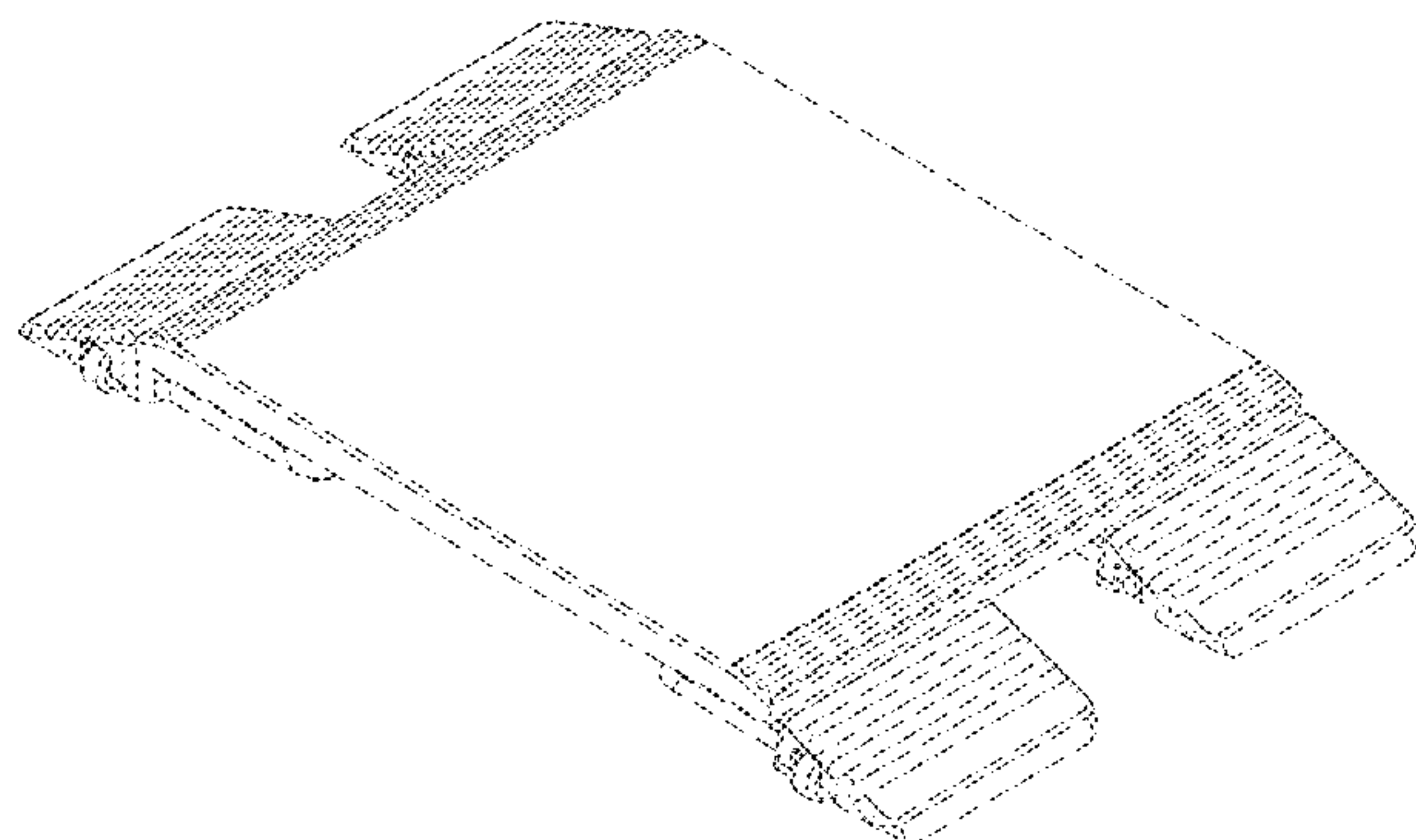
(57) **CLAIM**

We claim the ornamental design for a road weigher for vehicle, as shown and described.

DESCRIPTION

FIG. 1 is a top perspective view of a road weigher for vehicle, showing our new design.
FIG. 2 is a front elevational view thereof;
FIG. 3 is a rear elevational view thereof;
FIG. 4 is a left side elevational view thereof;
FIG. 5 is a right side elevational view thereof;
FIG. 6 is a top plan view thereof;
FIG. 7 is a bottom plan view thereof; and,
FIG. 8 is a bottom perspective view thereof.

1 Claim, 5 Drawing Sheets



(56)

References Cited

U.S. PATENT DOCUMENTS

4,714,121 A * 12/1987 Kroll G01G 19/027
177/134
7,022,920 B2 * 4/2006 Hulburt G01G 19/44
177/126
8,389,878 B2 * 3/2013 Abercrombie G01G 19/027
177/126
8,698,014 B1 * 4/2014 Walstad G01G 19/44
177/126
2002/0148653 A1 * 10/2002 Nakagawa G01G 21/23
177/211
2005/0115745 A1 * 6/2005 Kroll G01G 19/027
177/126
2006/0219445 A1 * 10/2006 Yamashita G01G 19/02
177/245
2013/0008728 A1 * 1/2013 Nelson G01G 19/02
177/180
2017/0023397 A1 * 1/2017 Belloni G01G 19/027
2021/0102834 A1 * 4/2021 Kim G01G 21/23

FOREIGN PATENT DOCUMENTS

JP D1529894 * 3/2015
JP D1662477 * 9/2019

JP D1678917 * 8/2020
KR 300651361.0000 * 12/2010
RU 00122531 * 4/2020

OTHER PUBLICATIONS

Optima Store, SellEton Axle Scale, Date first available Dec. 20, 2018, [online]retrieved Jul. 15, 2021, available from https://www.amazon.com/dp/B07M93LRDD/ref=sspa_dk_detail_6?psc=1&pd_rd_i=B07M93LRDDp13NParams&spLa=ZW5jcnlwdGVkUXVhbGlmaWVyPUEyVkpFMjhKVUg3NkdDmVuY3J5cHRIZElkPUE (Year: 2018).*

SellEton.Com, Heavy Duty Industrial Semi Truck Car Axle Scale, Date first available Jul. 31, 2017, [online]retrieved Aug. 9, 2021, available from https://www.amazon.com/Selleton-Heavy-Industrial-Truck-Weighing/dp/B074DYXPBN/ref=pd_sbs_5/133-9953152-3452307?pd_rd_w=obCBO&pf_rd_p=f8e24c42-8be0-4374-84aa-bb08 (Year: 2017).*

selleton.com, Scale with Printer to Weigh Drum, Date first available Jul. 28, 2017, [online]retrieved Aug. 9, 2021, available from https://www.amazon.com/Selleton-Portable-Printer-Livestock-Capacity/dp/B074F15B7P/ref=pd_sbs_10/133-9953152-3452307?pd_rd_w=KRdil&pf_rd_p=f8e24c42-8be0-4374-84aa-bb08fd897453&pf_ (Year: 2017).*

* cited by examiner

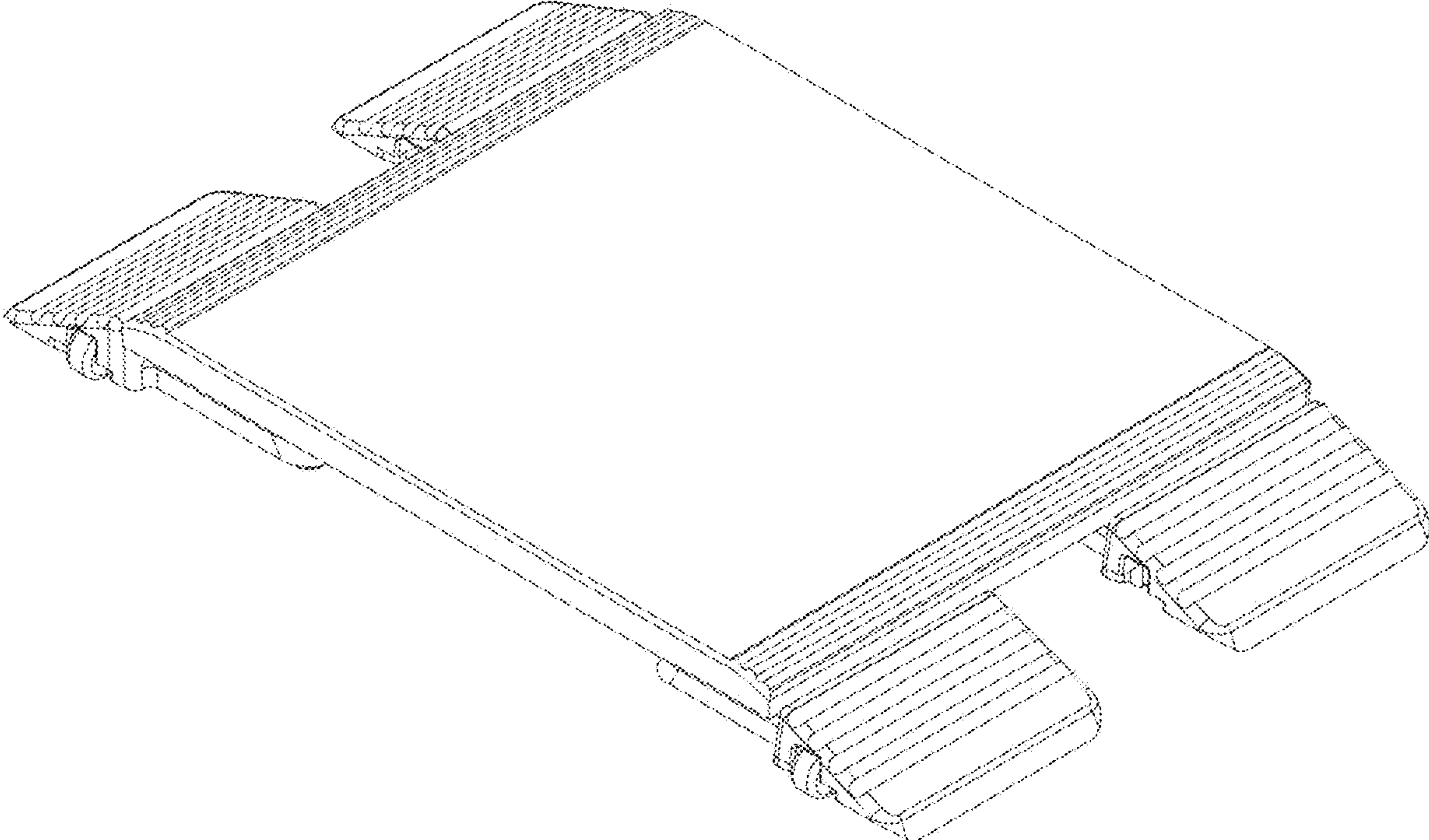


FIG. 1

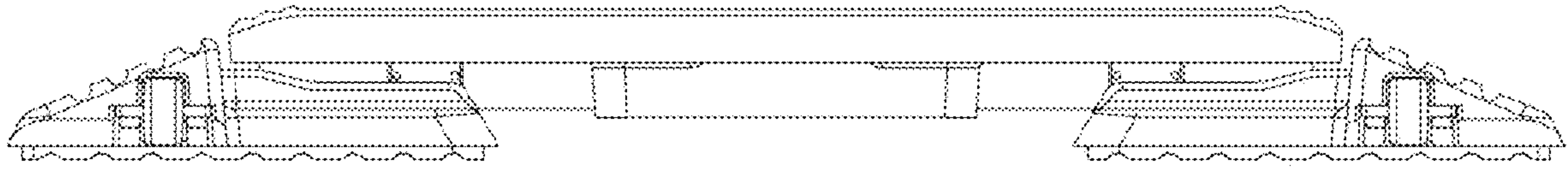


FIG. 2

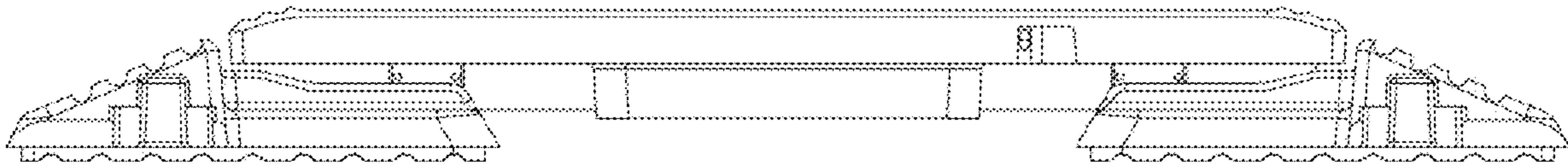


FIG. 3

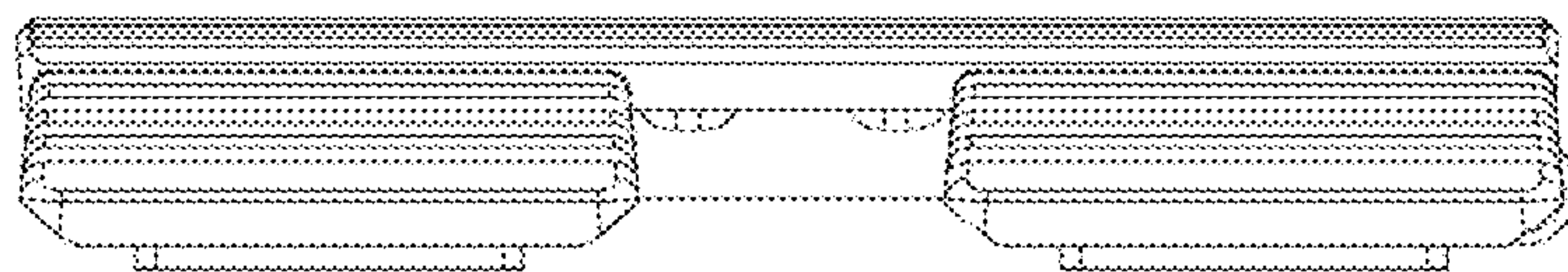


FIG. 4

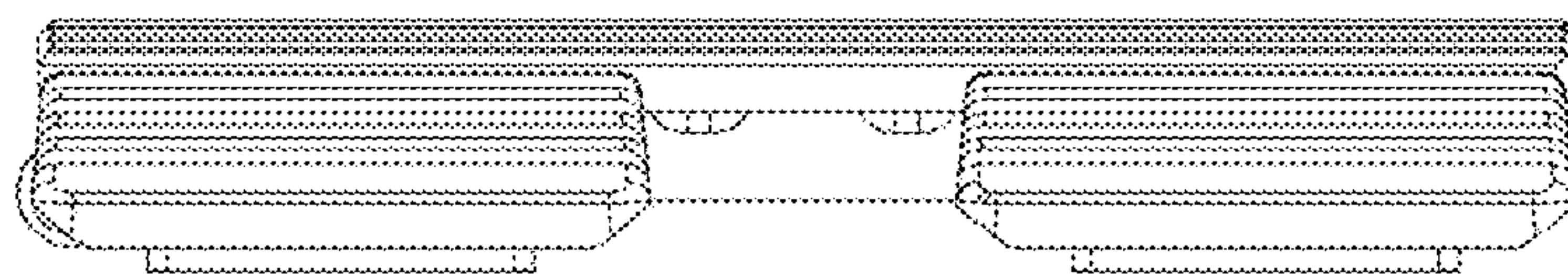


FIG. 5

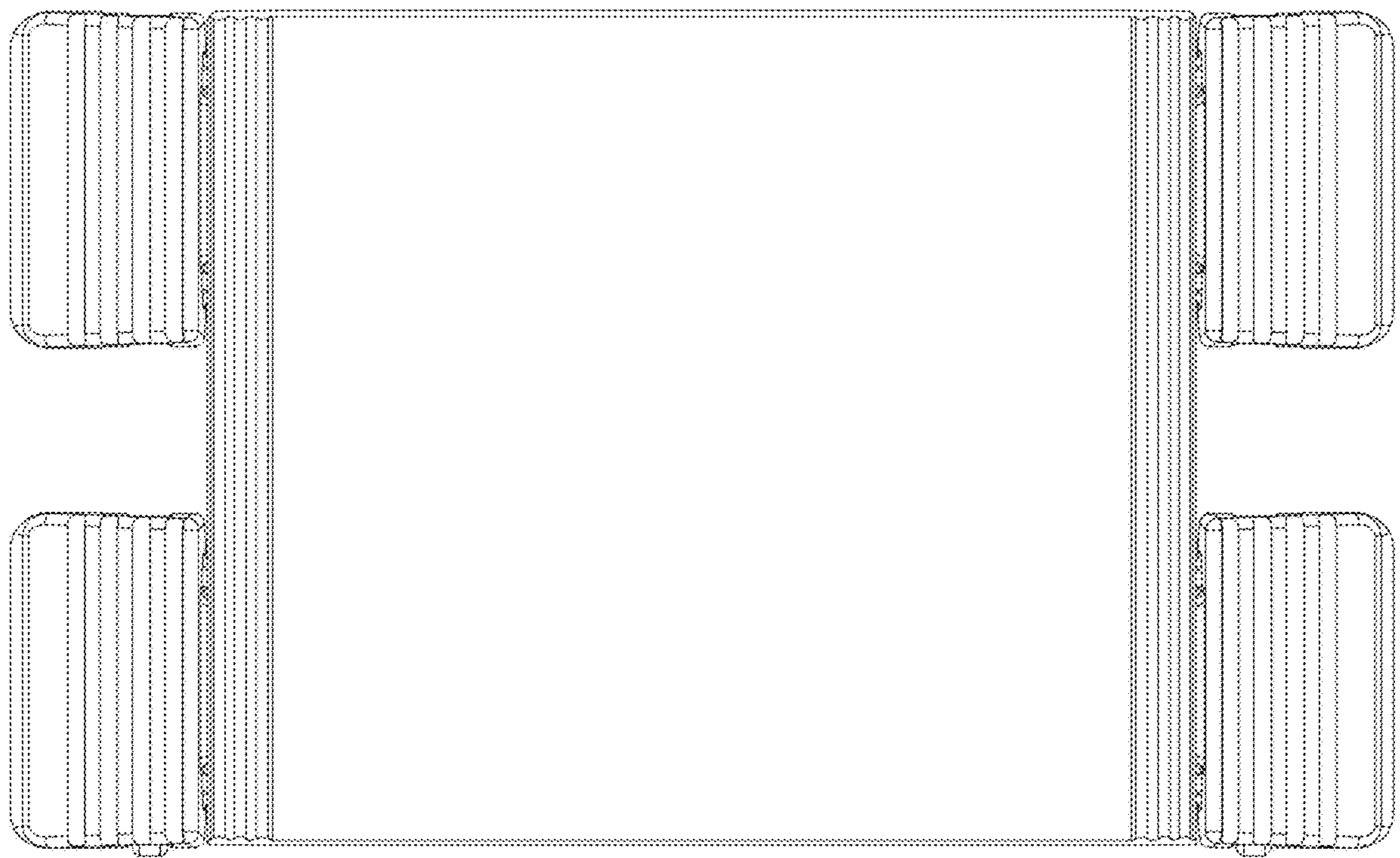


FIG. 6

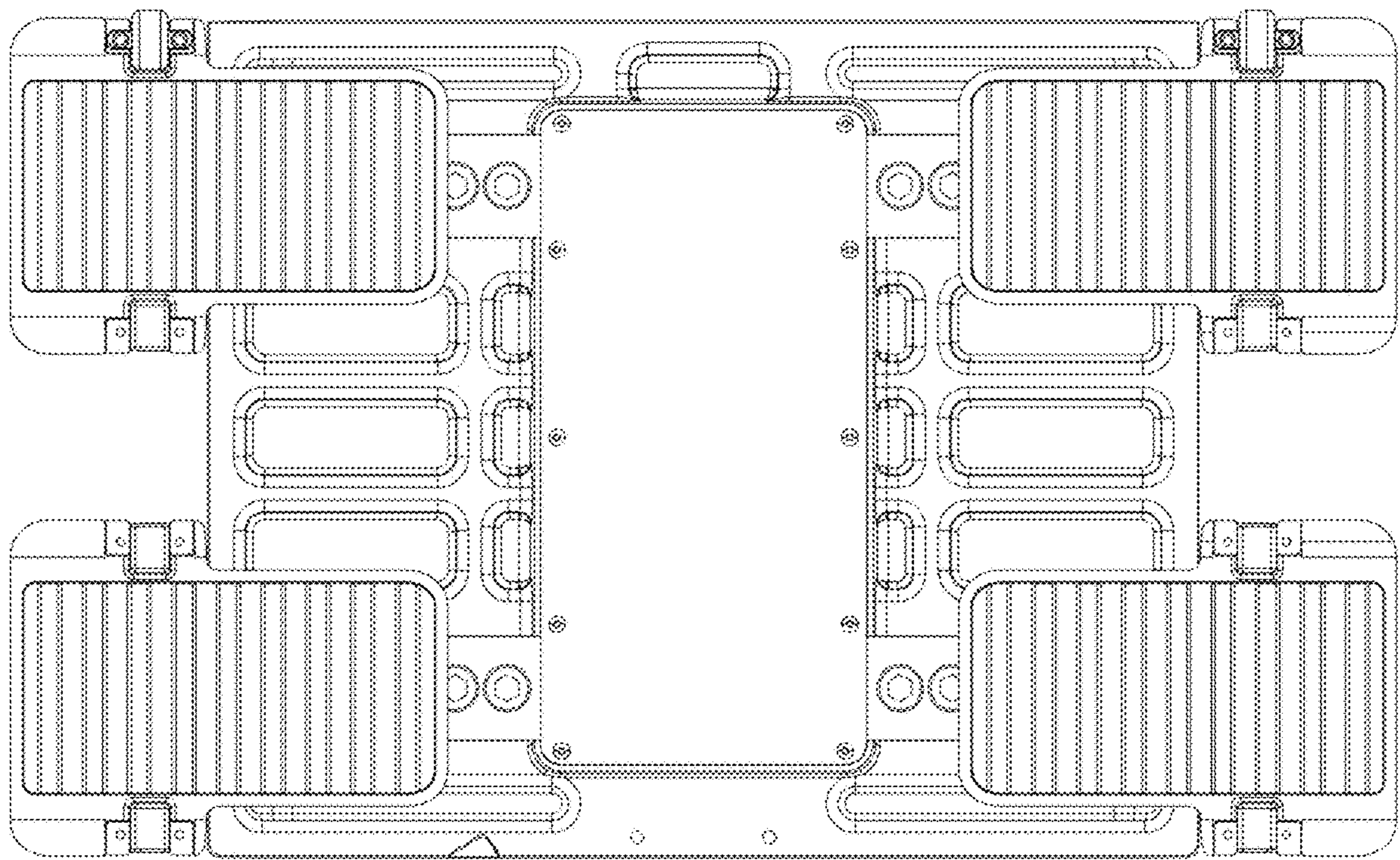


FIG. 7

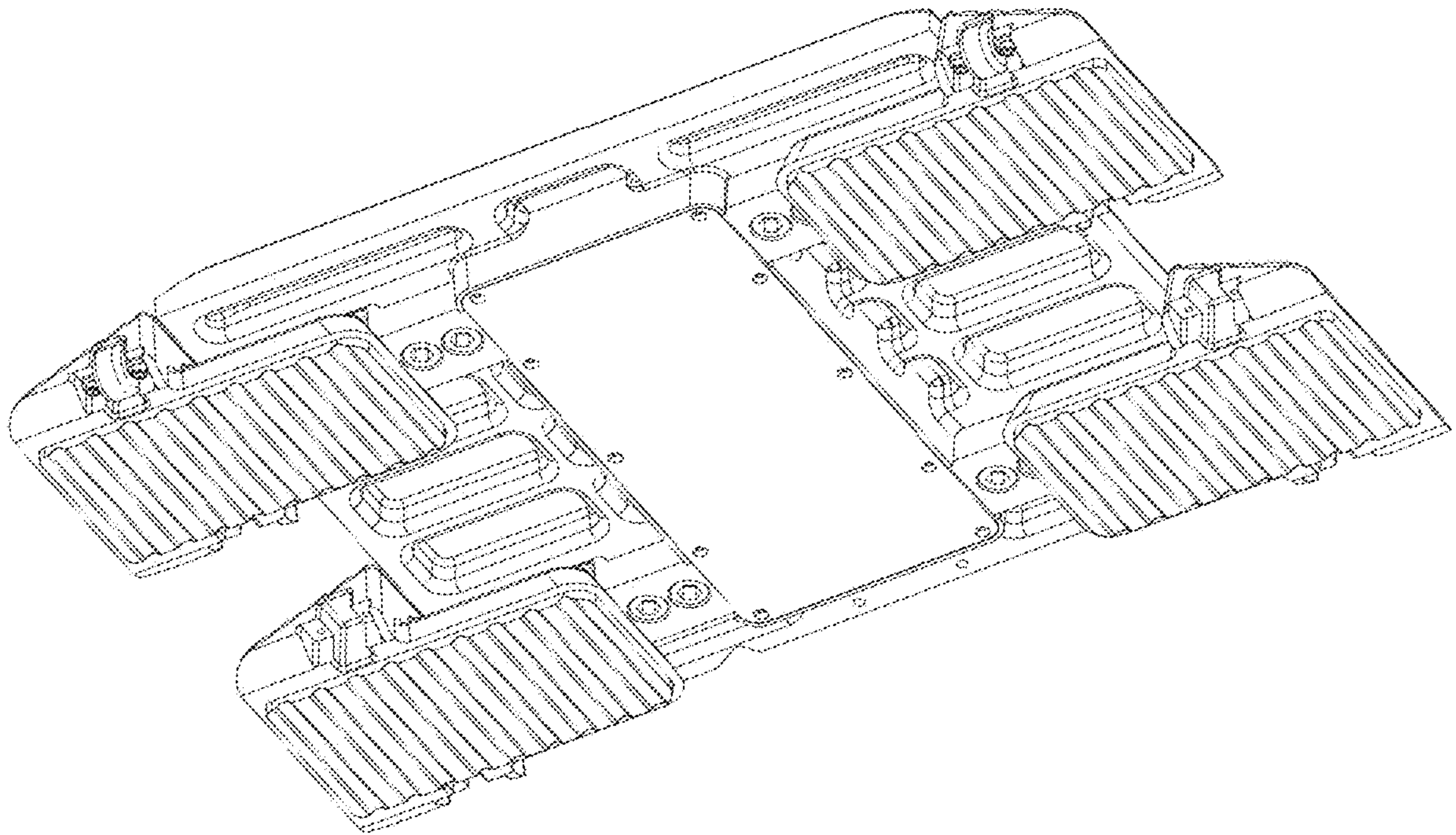


FIG. 8