



US00D938844S

(12) **United States Design Patent** (10) **Patent No.:** **US D938,844 S**
Augustine (45) **Date of Patent:** **** Dec. 21, 2021**

(54) **COMBINATION SCALE DEVICE** 4,969,112 A * 11/1990 Castle G01G 19/025
177/136

(71) Applicant: **Siju Augustine**, Mineola, NY (US) (Continued)

(72) Inventor: **Siju Augustine**, Mineola, NY (US) FOREIGN PATENT DOCUMENTS

(**) Term: **15 Years** CN 304227347 * 9/2016
CN 304269854 * 3/2017

(21) Appl. No.: **29/747,340** (Continued)

(22) Filed: **Aug. 21, 2020** OTHER PUBLICATIONS

(51) **LOC (13) Cl.** **10-04** Salter Brecknell PS 150 Digital Parcel, Date first available Nov. 1,
(52) **U.S. Cl.** 2012, [online]retrieved Aug. 19, 2021,available from https://www.amazon.com/Salter-Brecknell-PS-150-Capacity/dp/B009RT48O4/ref=sr_1_2?dchild=1&keywords=Brecknell+Digital+Scale&qid=1629387118&sr=8-2 (Year: 2012).*

(58) **Field of Classification Search**
USPC D10/87; D10/88; D10/92
USPC D10/83-96
CPC G01G 21/28; G01G 21/00; G01G 21/286;
G01G 21/30; G01G 23/3728; G01G
23/3735; G01G 19/44; G01G 3/14; G01G
19/46; G01G 19/48; G01G 19/50; G01G
21/44; G01G 19/414; G01G 19/4144;
G01G 19/42; G01G 23/166; F16F 1/123;
A61B 5/053; A61B 5/4872; A61B
5/0537; A61B 5/4869; A61B 5/6825;
A61B 5/6829; A61B 5/7445; A61B
5/1072; G06Q 20/3678; G06Q 20/387;
G06Q 20/065; G06Q 20/208; G06Q
20/36; G06Q 20/06; G09B 19/00; G16H
20/00; G16H 40/63

See application file for complete search history.

(Continued)

Primary Examiner — Keli L Hill
Assistant Examiner — Sara S Sahneh
(74) *Attorney, Agent, or Firm* — Brennan, Manna &
Diamond, LLC

(57) **CLAIM**

I claim the ornamental design for a combination scale device, as shown and described.

DESCRIPTION

(56) **References Cited**

U.S. PATENT DOCUMENTS

2,835,484 A * 5/1958 Bradley G01G 5/045
177/209
3,741,328 A * 6/1973 Andersson G01G 3/1408
177/210 R
3,831,687 A * 8/1974 Maffia G01G 5/00
177/210 R
4,278,139 A * 7/1981 Caris G01G 23/005
177/154
4,778,017 A * 10/1988 Liang G01G 21/10
177/187

FIG. 1 is a perspective view of the combination scale device of the present invention.
FIG. 2 is a top perspective view of the combination scale device of the present invention.
FIG. 3 is a right side elevational view of the combination scale device of the present invention.
FIG. 4 is a left side elevational view of the combination scale device of the present invention.
FIG. 5. is a front elevational view of the combination scale device of the present invention; and,

(Continued)

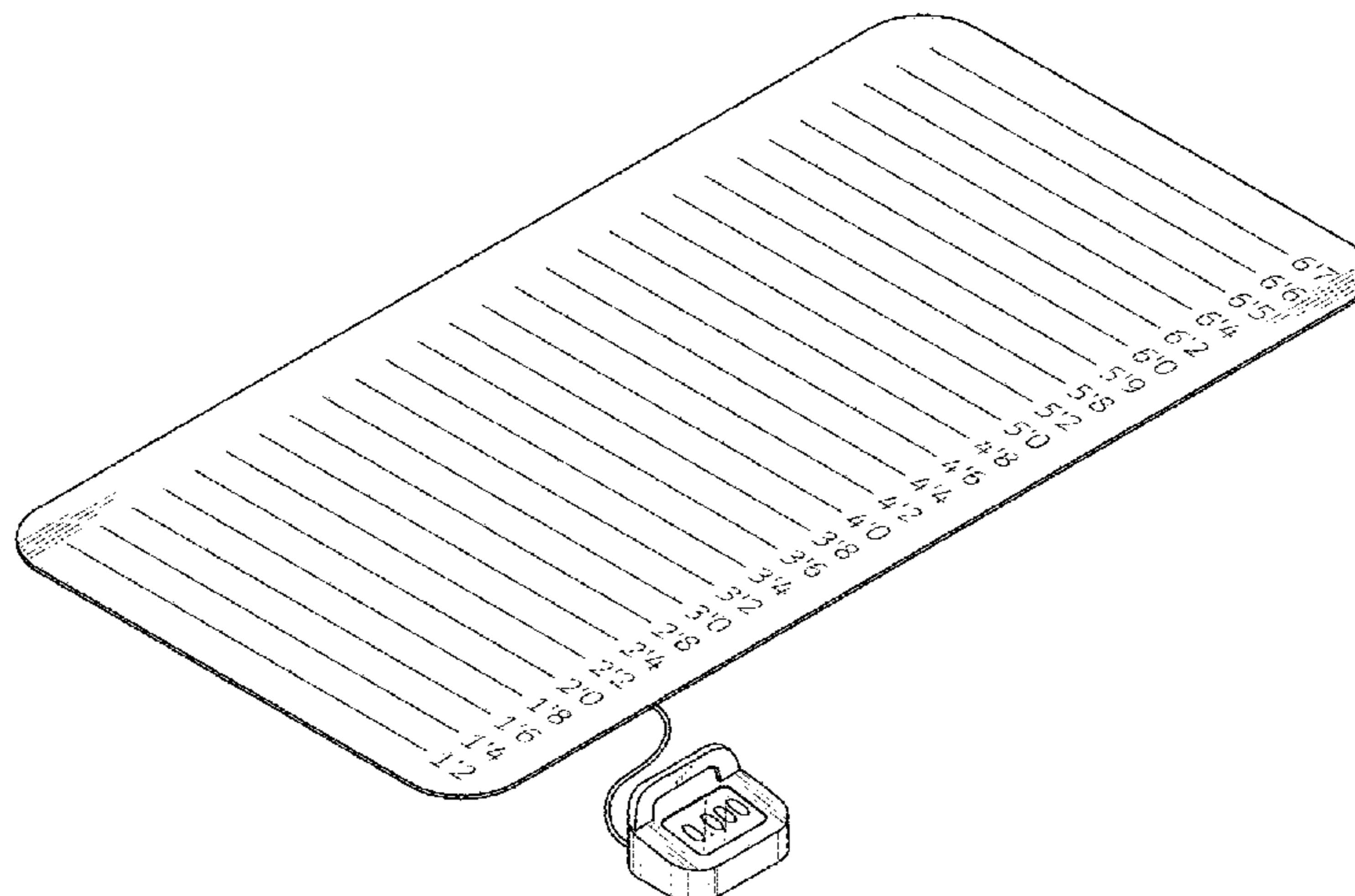


FIG. 6 is a rear elevational view of the combination scale device of the present invention.

1 Claim, 4 Drawing Sheets

(56)

References Cited

U.S. PATENT DOCUMENTS

D523,366 S * 6/2006 Ulrich D10/92
D587,152 S * 2/2009 Scholpp D10/92
8,544,347 B1 * 10/2013 Berme A61B 5/1036
73/862.041
8,698,014 B1 * 4/2014 Walstad G01G 19/44
177/126
D742,264 S * 11/2015 Pan D10/91
D774,929 S * 12/2016 Pan D10/92
D830,211 S * 10/2018 Pan D10/91

FOREIGN PATENT DOCUMENTS

CN 304313217 * 5/2017
CN 304629109 * 10/2017
CN 306520193 * 12/2020

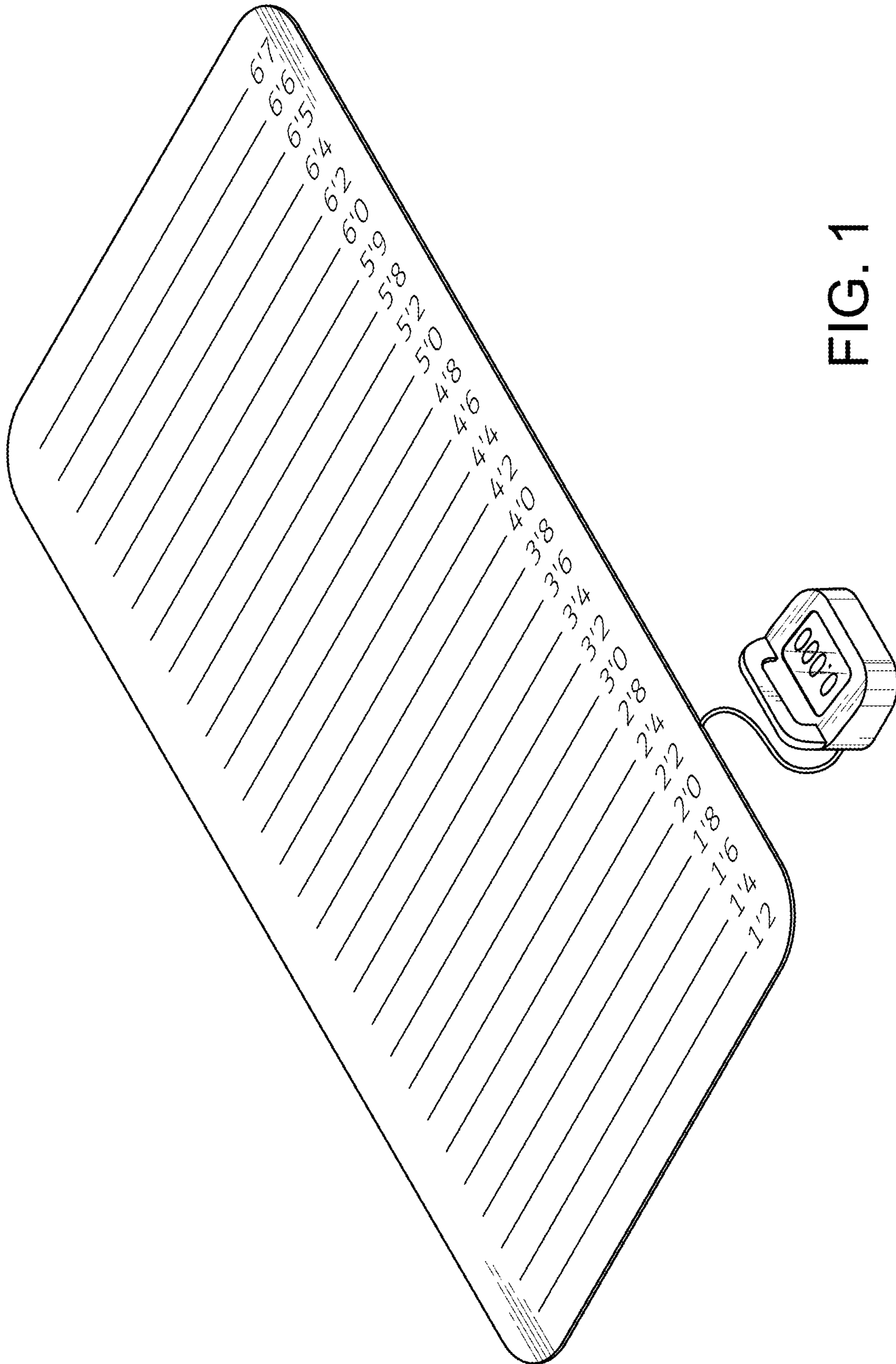
OTHER PUBLICATIONS

Angel, USA Extra Large Platform scale, Date first available Sep. 19, 2017, [online]retrieved Aug. 19, 2021,available from [https://www.amazon.com/Angel-Platform-Stainless-Shipping-Batteries/dp/B075RFL2ZR/ref=pd_di_sccai_6/133-9953152-3452307?pd_rd_w=vokhA&pf_rd_p=c9443270-b914-4430-a90b-72e3e7e784e0&pf_r=2017](https://www.amazon.com/Angel-Platform-Stainless-Shipping-Batteries/dp/B075RFL2ZR/ref=pd_di_sccai_6/133-9953152-3452307?pd_rd_w=vokhA&pf_rd_p=c9443270-b914-4430-a90b-72e3e7e784e0&pf_rd_r=2017).*

Smart Weigh Store,Digital Heavy Duty Scale,Date first available Sep. 8, 2015, [online]retrieved Aug. 20, 2021,available from https://www.amazon.com/Smart-Weigh-Shipping-Stainless-Readability/dp/B015310418/ref=pd_sbs_6/133-9953152-3452307?pd_rd_w=4SAbY&pf_rd_p=0a3 (Year: 2015).*

Tree Scale, Platform Vet Scale, Date first available Jun. 5, 2013, [online]retrieved Jul. 21, 2021,available from https://www.amazon.com/Platform-Veterinary-Animal-Livestock-Digital/dp/B0084OY1PE/ref=sr_1_76?dchild=1&keywords=Small+Livestock+Scale&qid=1626894954&s=industrial&sr=1 (Year: 2013).*

* cited by examiner



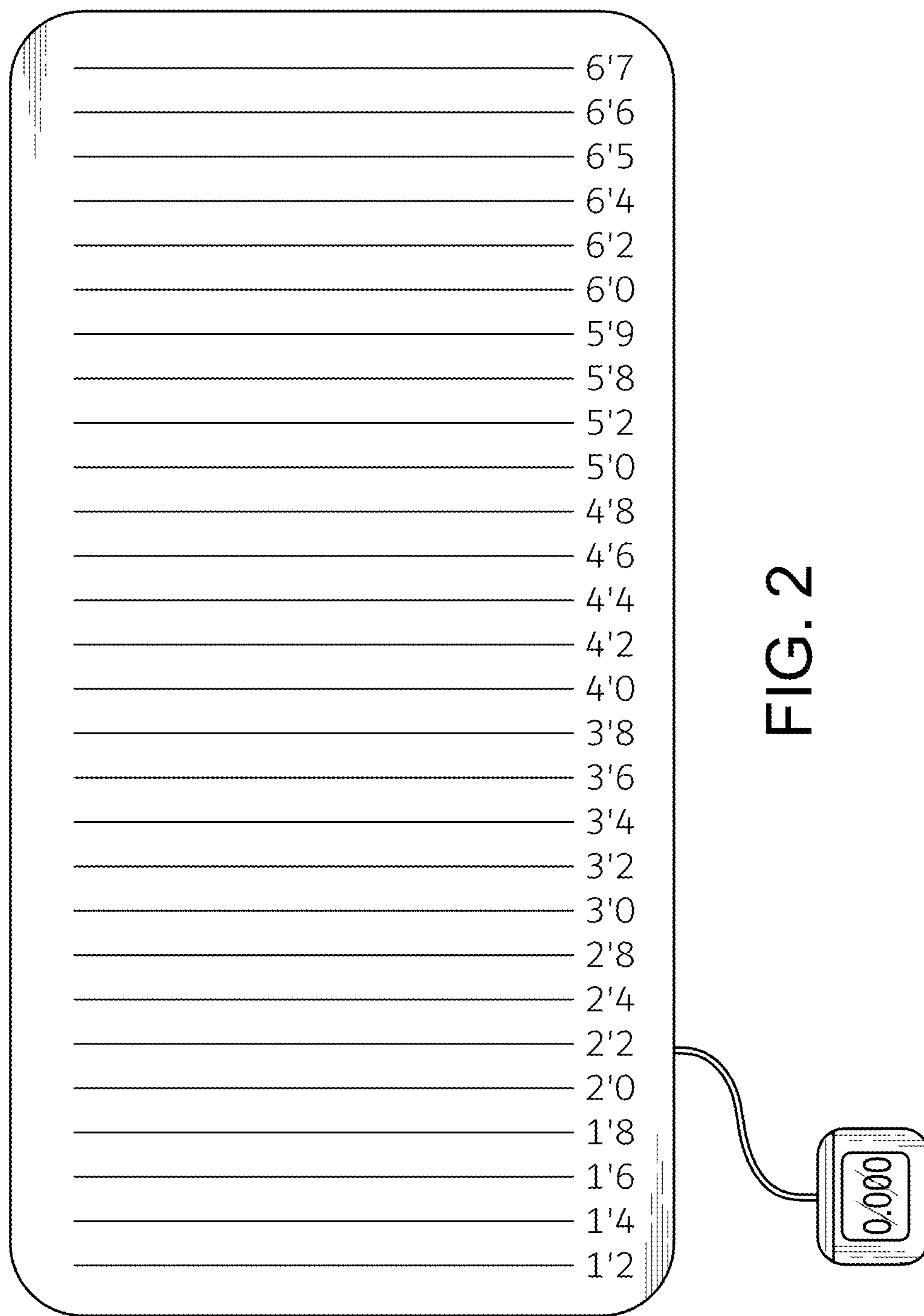


FIG. 2



FIG. 3



FIG. 4



FIG. 5



FIG. 6