



US00D938843S

(12) **United States Design Patent** (10) **Patent No.:** **US D938,843 S**
Woo et al. (45) **Date of Patent:** **** Dec. 21, 2021**

(54) **CLAMP METER**

(71) Applicant: **Fluke Corporation**, Everett, WA (US)

(72) Inventors: **Ginger M. Woo**, Shoreline, WA (US);
Christopher D. Corrigan, Blacksburg, VA (US); **Brian S. Aikins**, Everett, WA (US); **Jeffrey E. Worones**, Seattle, WA (US)

(73) Assignee: **Fluke Corporation**, Everett, WA (US)

(**) Term: **15 Years**

(21) Appl. No.: **29/703,619**

(22) Filed: **Aug. 28, 2019**

(51) **LOC (13) Cl.** **10-04**

(52) **U.S. Cl.**
USPC **D10/79**

(58) **Field of Classification Search**
USPC **D10/79**

CPC G01R 1/04; G01R 1/0408; G01R 1/0416;
G01R 1/0425; G01R 1/06; G01R 1/067;
G01R 15/125; G01R 1/22; G01R 15/12;
G01R 15/18; G01R 15/186; G01R 1/07;
G01R 1/16772; G01R 1/16788; G01R
1/20; G01R 1/203; G01R 1/206; G01R
1/24; G01R 1/26; G01R 1/28; G01R
1/30; G01R 1/36; G01R 1/38; G01R
1/40; G01R 1/42; G01R 1/44; G01R
15/00; G01R 15/002; G01R 15/005;
G01R 15/007; G01R 15/04; G01R 15/06;
G01R 15/08; G01R 15/09; G01R 15/14;
G01R 15/142; G01R 15/144; G01R
15/146; G01R 15/148; G01R 15/16;
G01R 15/165; G01R 15/181; G01R
15/183; G01R 15/185; G01R 15/188;
G01R 15/20; G01R 15/202; G01R
15/205; G01R 15/207; G01R 15/22;
G01R 15/24; G01R 15/241; G01R
15/242; G01R 15/243; G01R 15/245;
G01R 15/246; G01R 15/247; G01R
15/248; G01R 15/26

See application file for complete search history.

(56) **References Cited**

U.S. PATENT DOCUMENTS

D359,006	S	*	6/1995	McCain	D10/79
D413,538	S	*	9/1999	Chen	G01R 1/02 D10/79
D457,451	S	*	5/2002	Chen	G01R 1/22 D10/79
D467,190	S	*	12/2002	Ikeda	D10/79
D515,953	S	*	2/2006	Chang	D10/79
D517,434	S	*	3/2006	Chang	D10/79
D567,687	S	*	4/2008	Elrod	D10/79
D640,152	S	*	6/2011	Laurino	D10/79
D683,250	S	*	5/2013	Marzynski	D10/79
2011/0015796	A1	*	1/2011	Heydron	G01R 1/02 700/286
2021/0041483	A1	*	2/2021	Worones	G01R 1/22

* cited by examiner

Primary Examiner — Antoine Duval Davis

(74) *Attorney, Agent, or Firm* — Seed Intellectual Property Law Group LLP

(57) **CLAIM**

The ornamental design for a clamp meter, as shown and described.

DESCRIPTION

FIG. 1 is a top, front, right perspective view of a clamp meter showing our new design.

FIG. 2 is a bottom, rear, left perspective view thereof.

FIG. 3 is a front elevation view thereof.

FIG. 4 is a rear elevation view thereof.

FIG. 5 is a right side elevation view thereof.

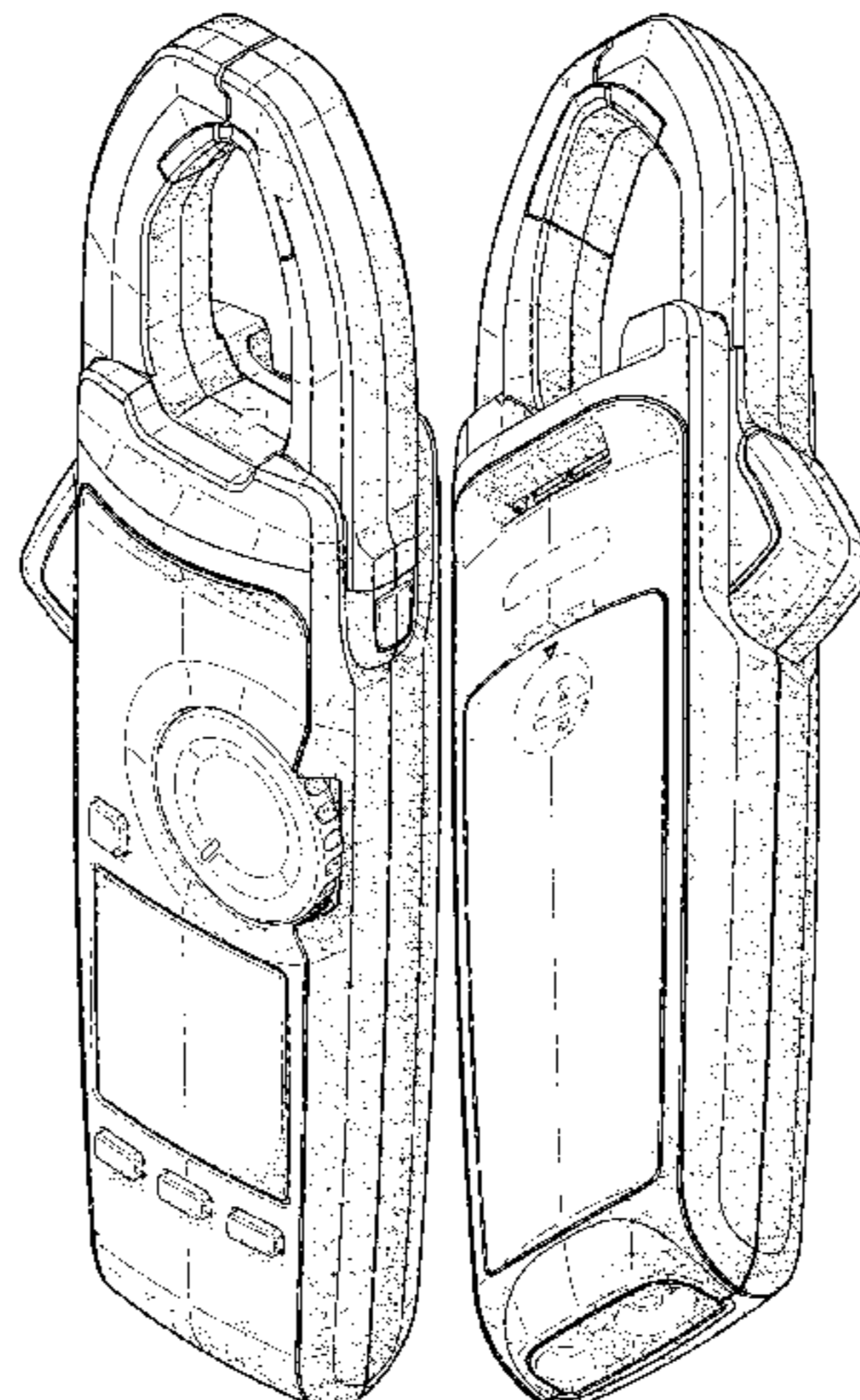
FIG. 6 is a left side elevation view thereof.

FIG. 7 is a top plan view thereof; and,

FIG. 8 is a bottom plan view thereof.

The broken lines in the figures illustrate portions of the clamp meter that form no part of the claimed design.

1 Claim, 6 Drawing Sheets



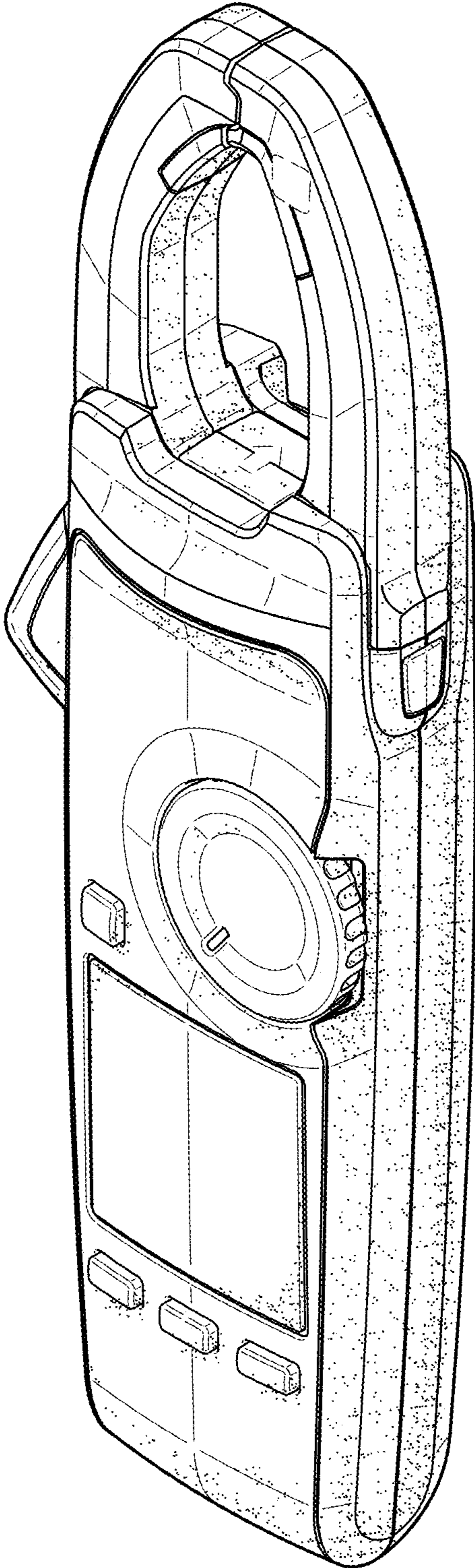


FIG. 1

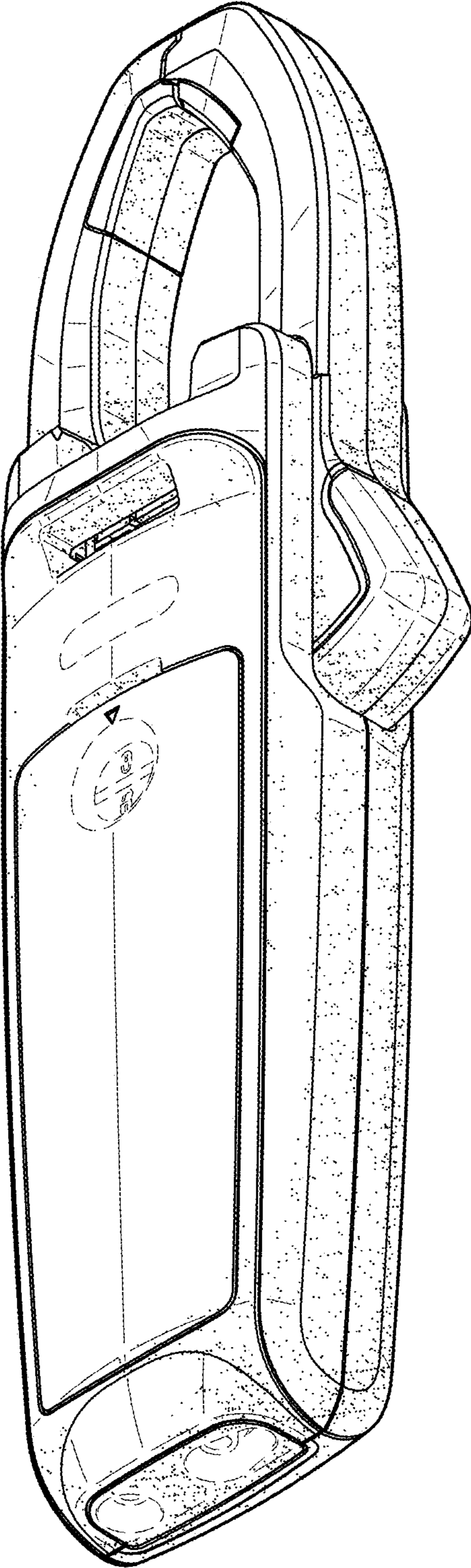


FIG. 2

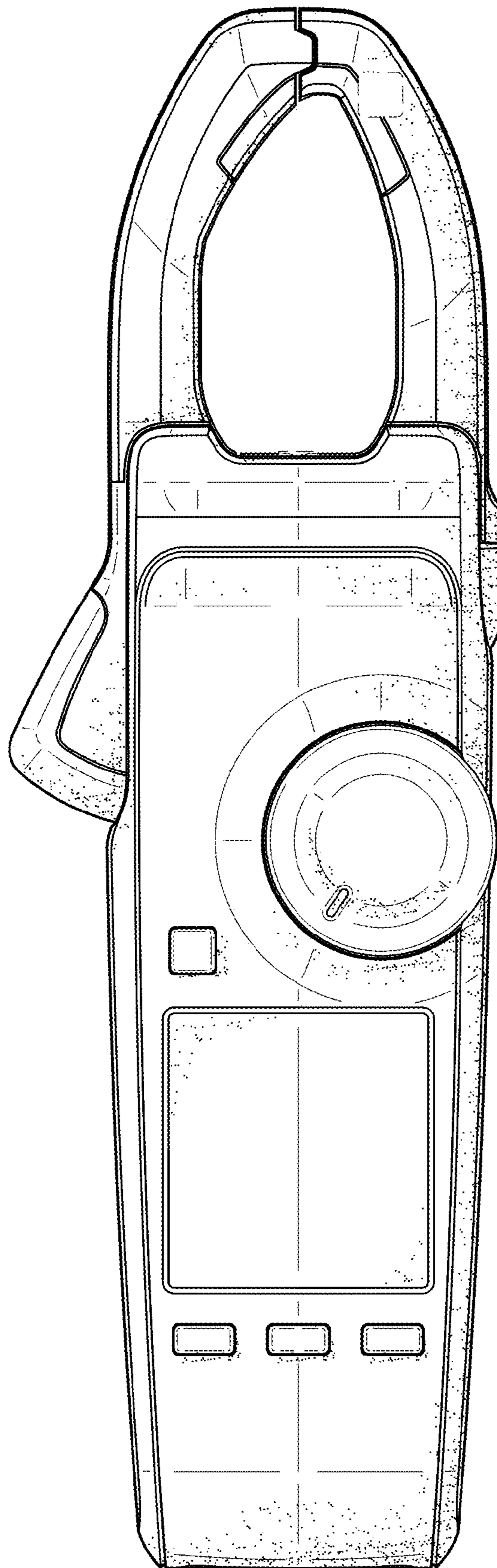


FIG. 3

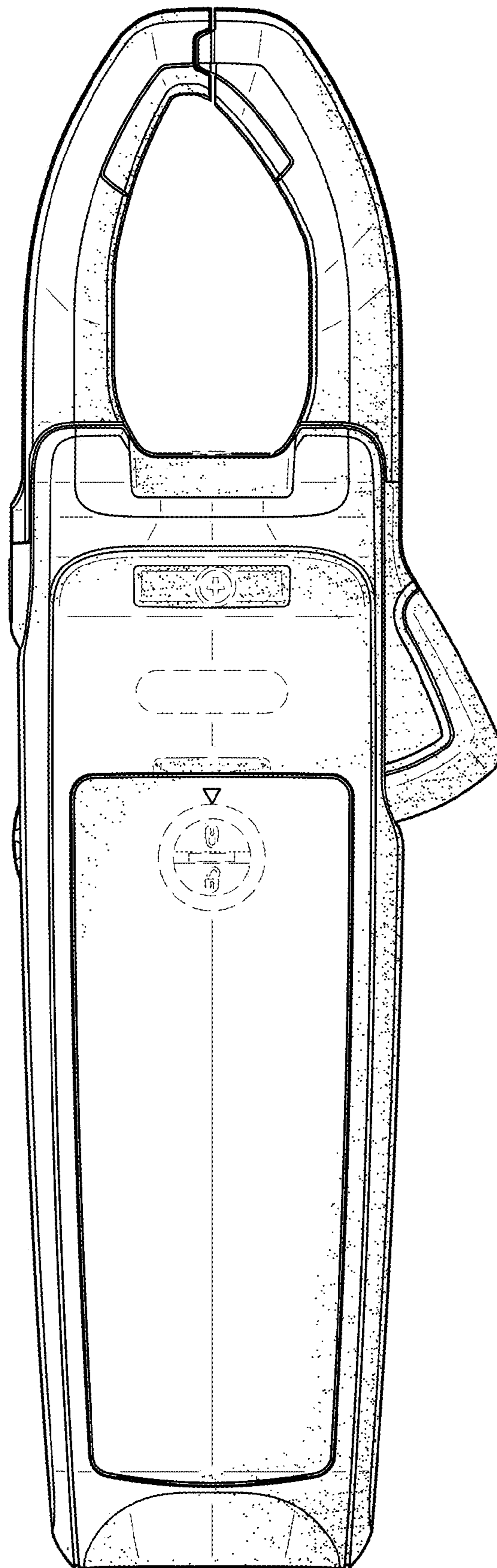


FIG. 4

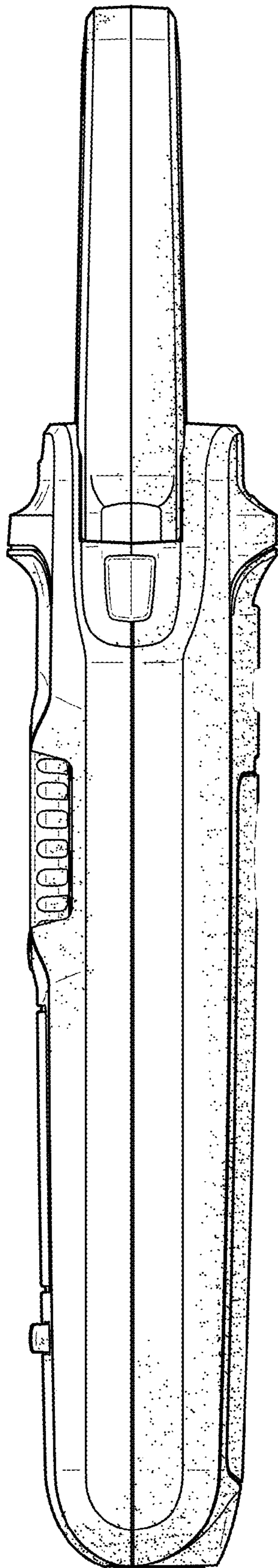


FIG. 5

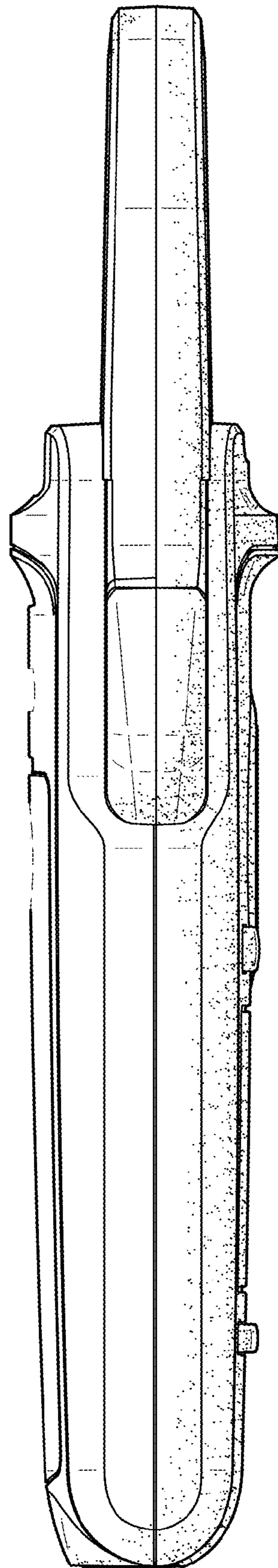


FIG. 6

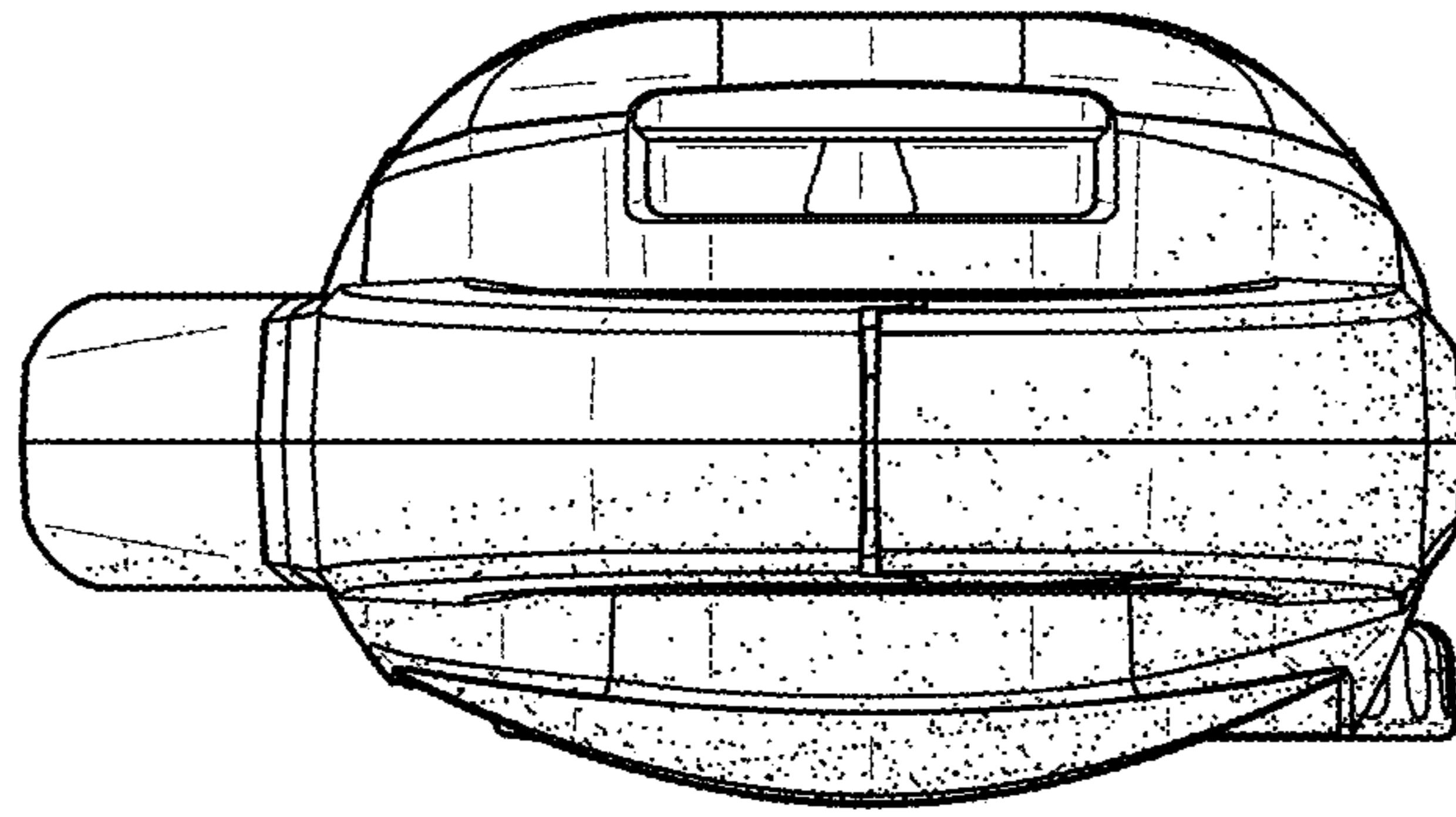


FIG. 7

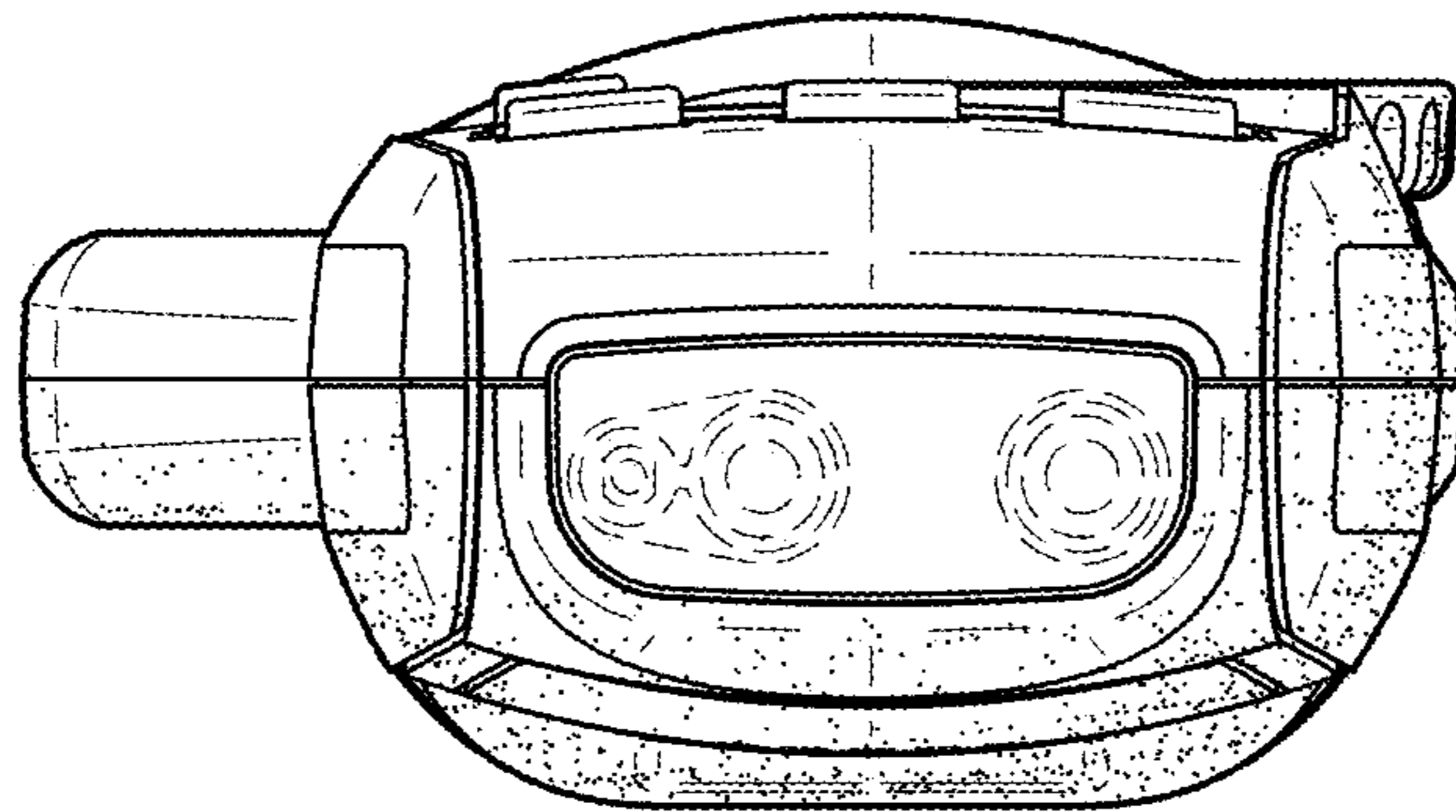


FIG. 8