

US00D938842S

(12) **United States Design Patent**  
**Lan**

(10) **Patent No.:** **US D938,842 S**

(45) **Date of Patent:** **\*\* Dec. 21, 2021**

(54) **SIGNAL DETECTOR**

60/52; H04H 60/53; H04H 60/54; H04H  
60/56; H04H 60/58; H04H 60/59; H04H  
60/60

(71) Applicant: **Jinhe Lan**, Guangdong (CN)

See application file for complete search history.

(72) Inventor: **Jinhe Lan**, Guangdong (CN)

(\*\*) Term: **15 Years**

(56) **References Cited**

(21) Appl. No.: **29/709,078**

U.S. PATENT DOCUMENTS

(22) Filed: **Oct. 11, 2019**

(51) **LOC (13) Cl.** ..... **10-04**

(52) **U.S. Cl.**  
USPC ..... **D10/78**

D621,731 S *	8/2010	Goody	.....	D10/65
D745,798 S *	12/2015	Legare	.....	D6/707.22
D777,050 S *	1/2017	Will	.....	D10/104.1
D807,212 S *	1/2018	Chen	.....	D10/78
D915,233 S *	4/2021	Giessel	.....	D10/104.1
D922,230 S *	6/2021	Lan	.....	D10/104.1

(58) **Field of Classification Search**

USPC ..... D10/78  
CPC ..... G08B 29/00; G08B 29/02; G08B 29/04;  
G08B 29/043; G08B 29/046; G08B  
29/06; G08B 29/08; G08B 29/10; G08B  
29/12; G08B 29/123; G08B 29/126;  
G08B 29/14; G08B 29/145; G08B 29/16;  
G08B 29/18; G08B 29/181; G08B  
29/183; G08B 29/185; G08B 29/186;  
G08B 29/188; G08B 29/20; G08B 29/22;  
G08B 29/24; G08B 29/26; G08B 29/28;  
H04H 60/29; H04H 60/31; H04H 60/32;  
H04H 60/33; H04H 60/35; H04H 60/37;  
H04H 60/372; H04H 60/375; H04H  
60/377; H04H 60/38; H04H 60/39; H04H  
60/40; H04H 60/41; H04H 60/42; H04H  
60/43; H04H 60/44; H04H 60/45; H04H  
60/46; H04H 60/47; H04H 60/48; H04H  
60/49; H04H 60/50; H04H 60/51; H04H

\* cited by examiner

*Primary Examiner* — Antoine Duval Davis

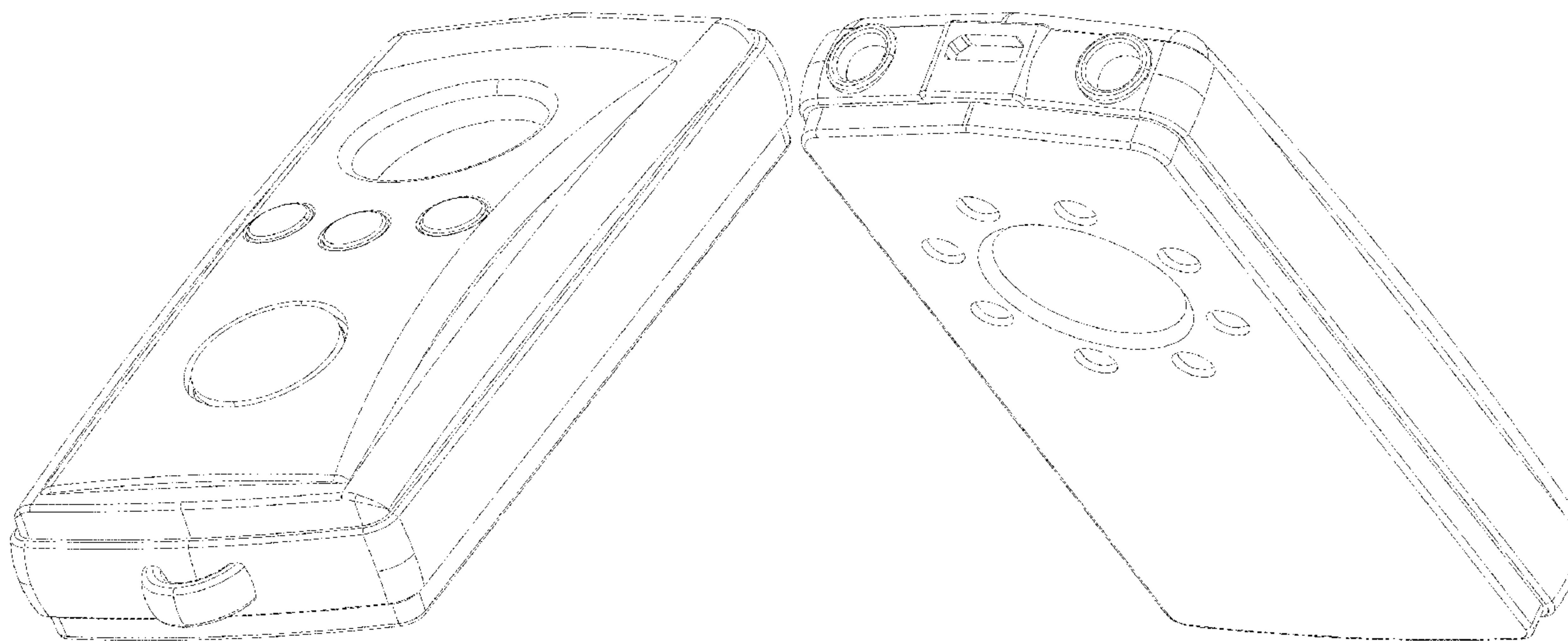
(57) **CLAIM**

The ornamental design for a signal detector, as shown.

**DESCRIPTION**

FIG. 1 is a front elevational view of a signal detector showing my new design;  
FIG. 2 is a rear elevational view thereof;  
FIG. 3 is a left side view thereof;  
FIG. 4 is a right side view thereof;  
FIG. 5 is a top plan view thereof;  
FIG. 6 is a bottom plan view thereof;  
FIG. 7 is a perspective view thereof; and,  
FIG. 8 is another perspective view thereof.

**1 Claim, 7 Drawing Sheets**



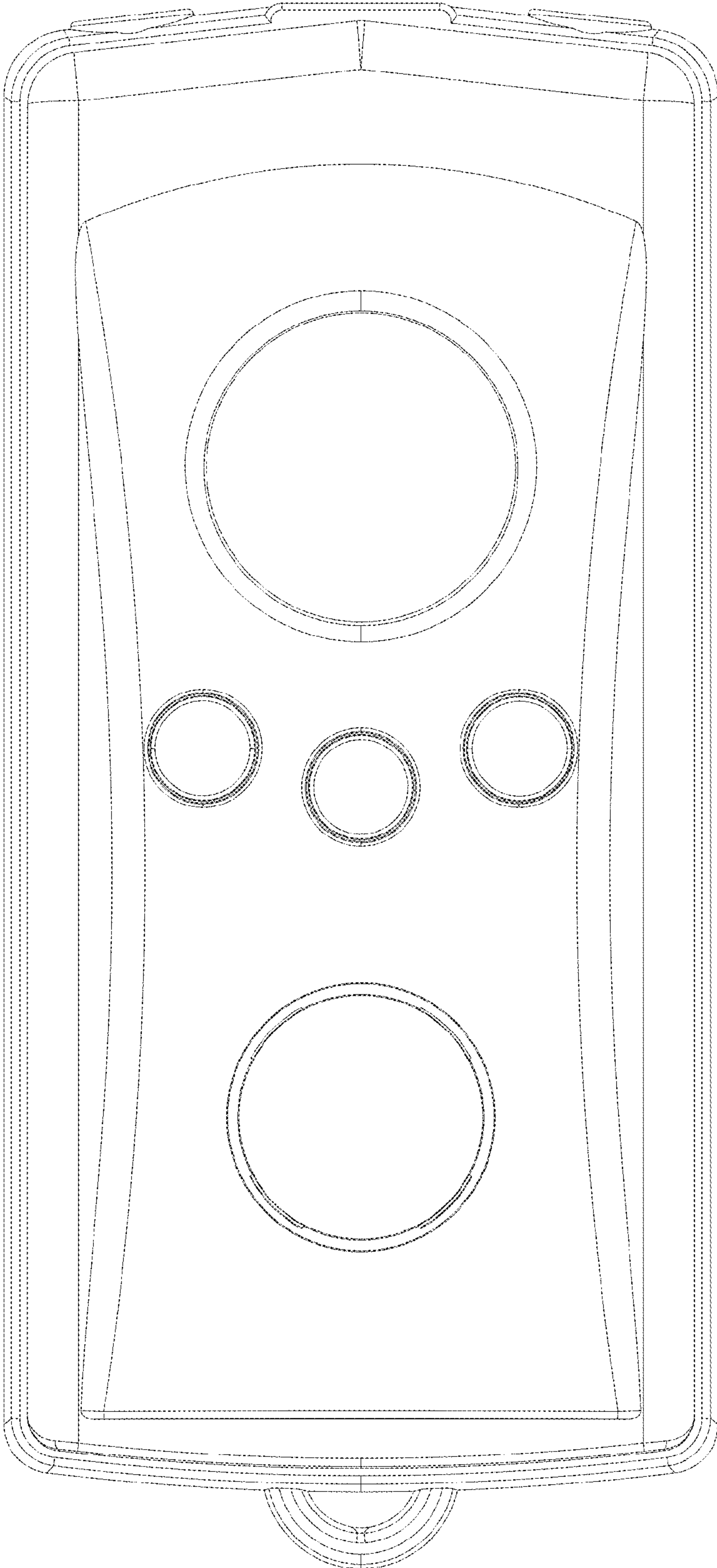


Fig. 1

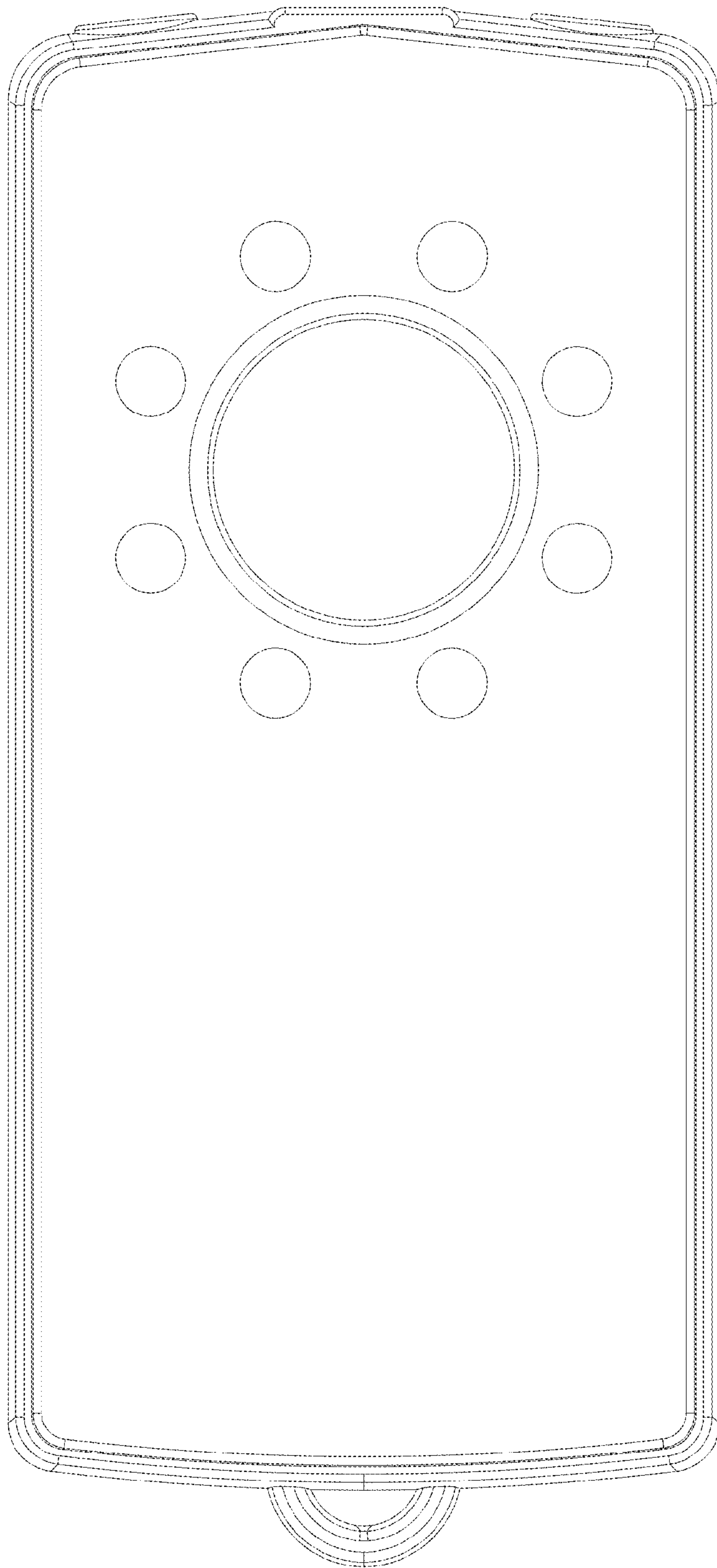


Fig. 2

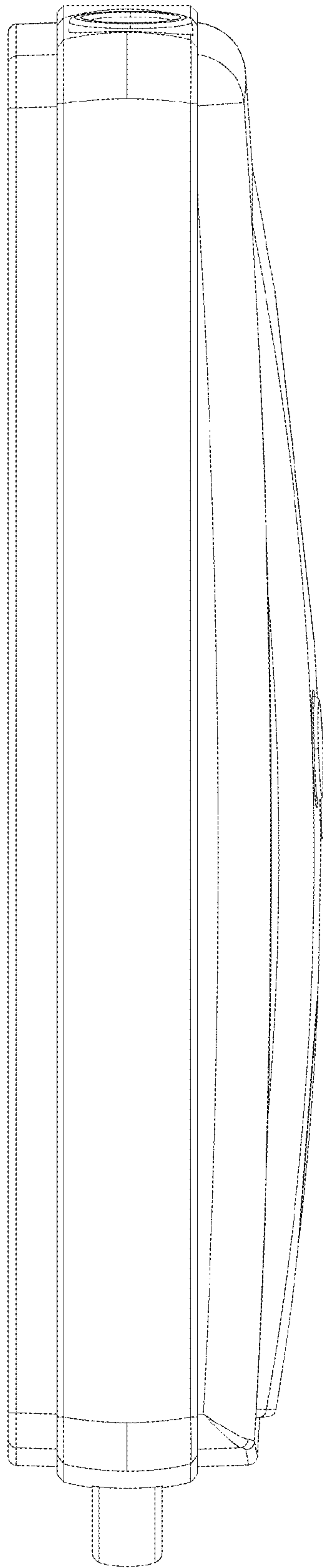


Fig. 3

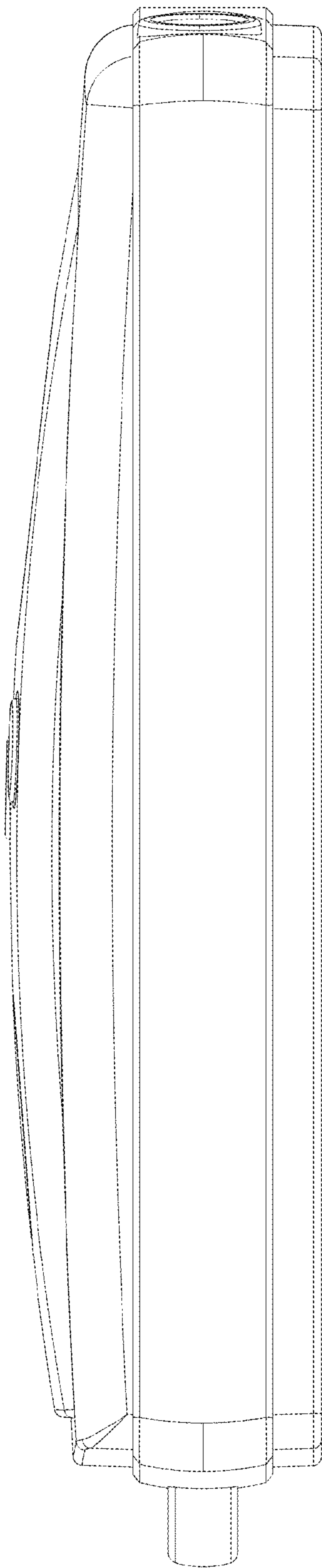


Fig. 4



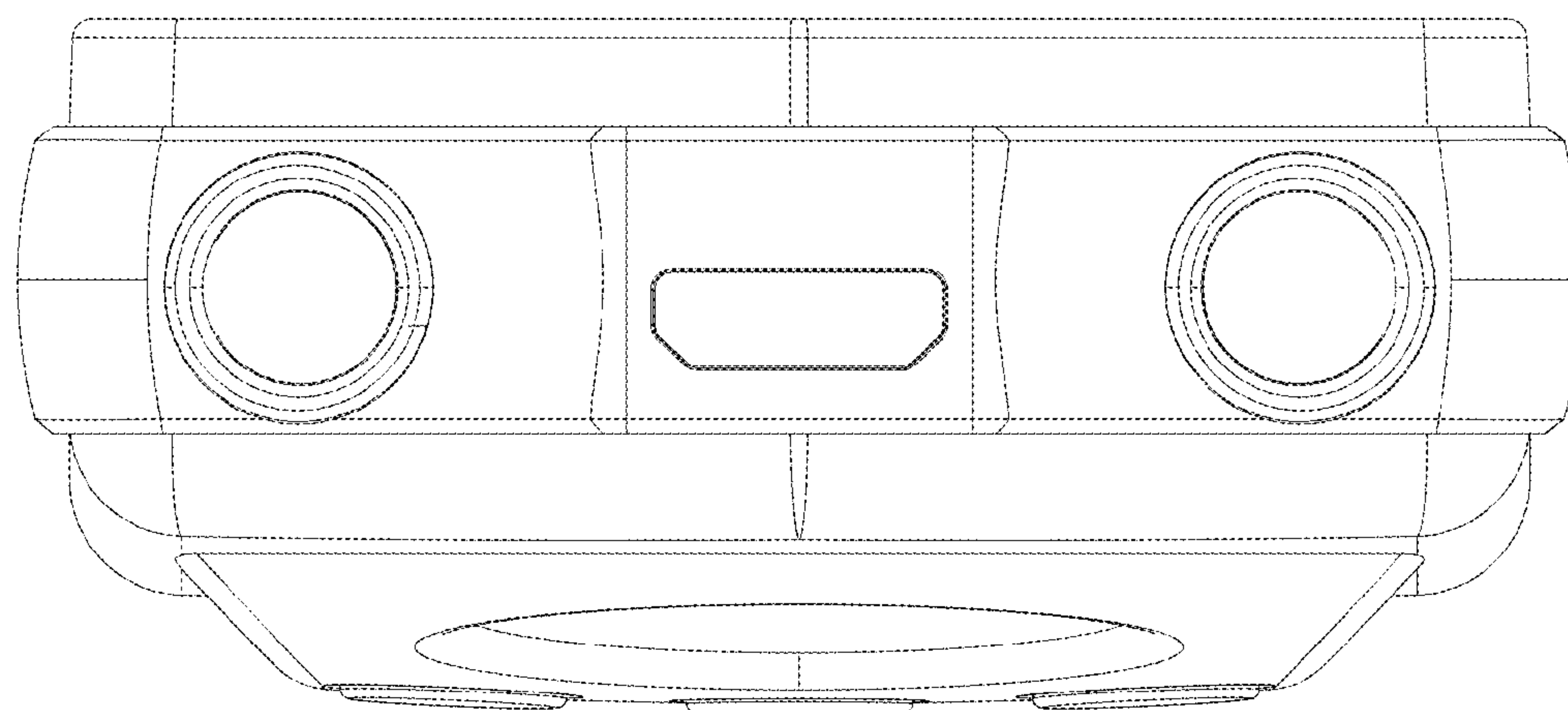


Fig. 5

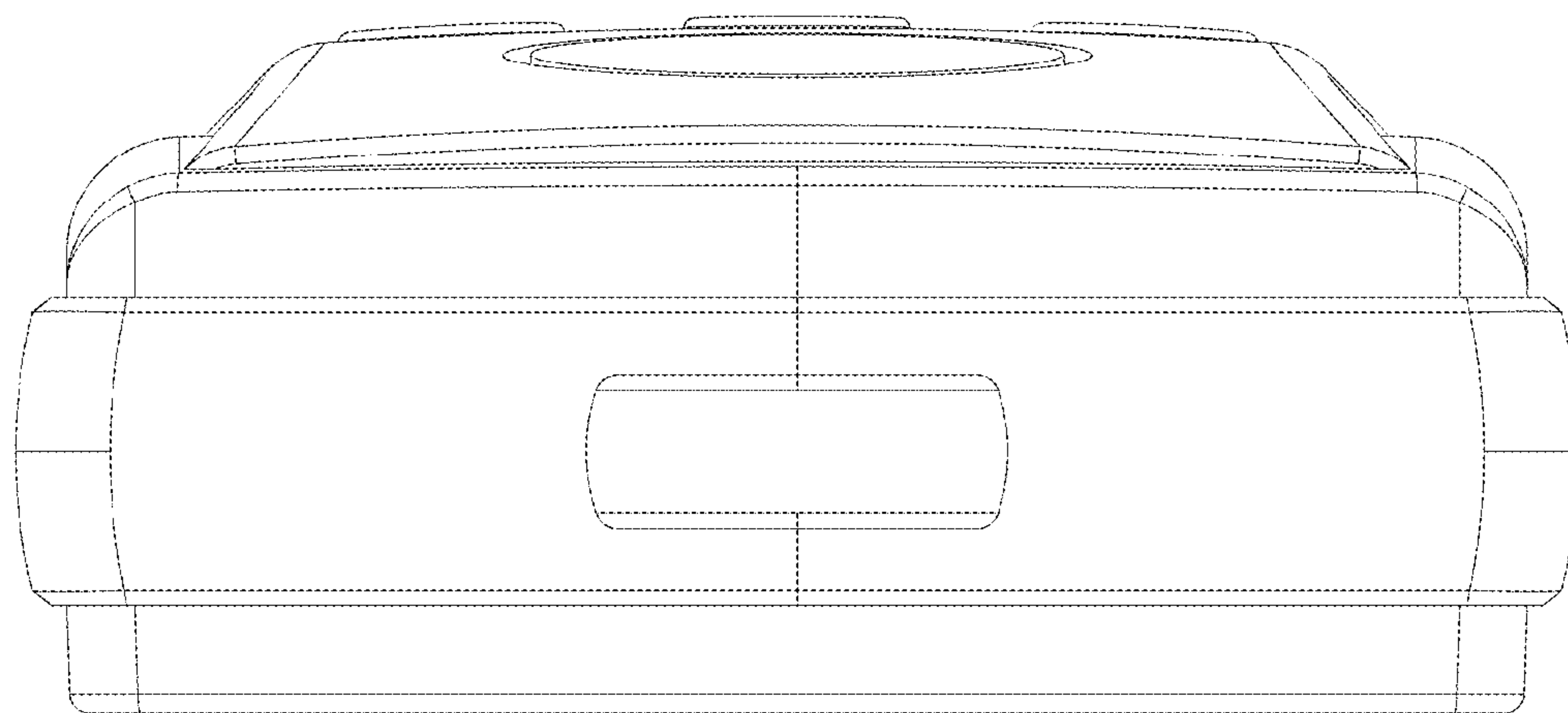


Fig. 6

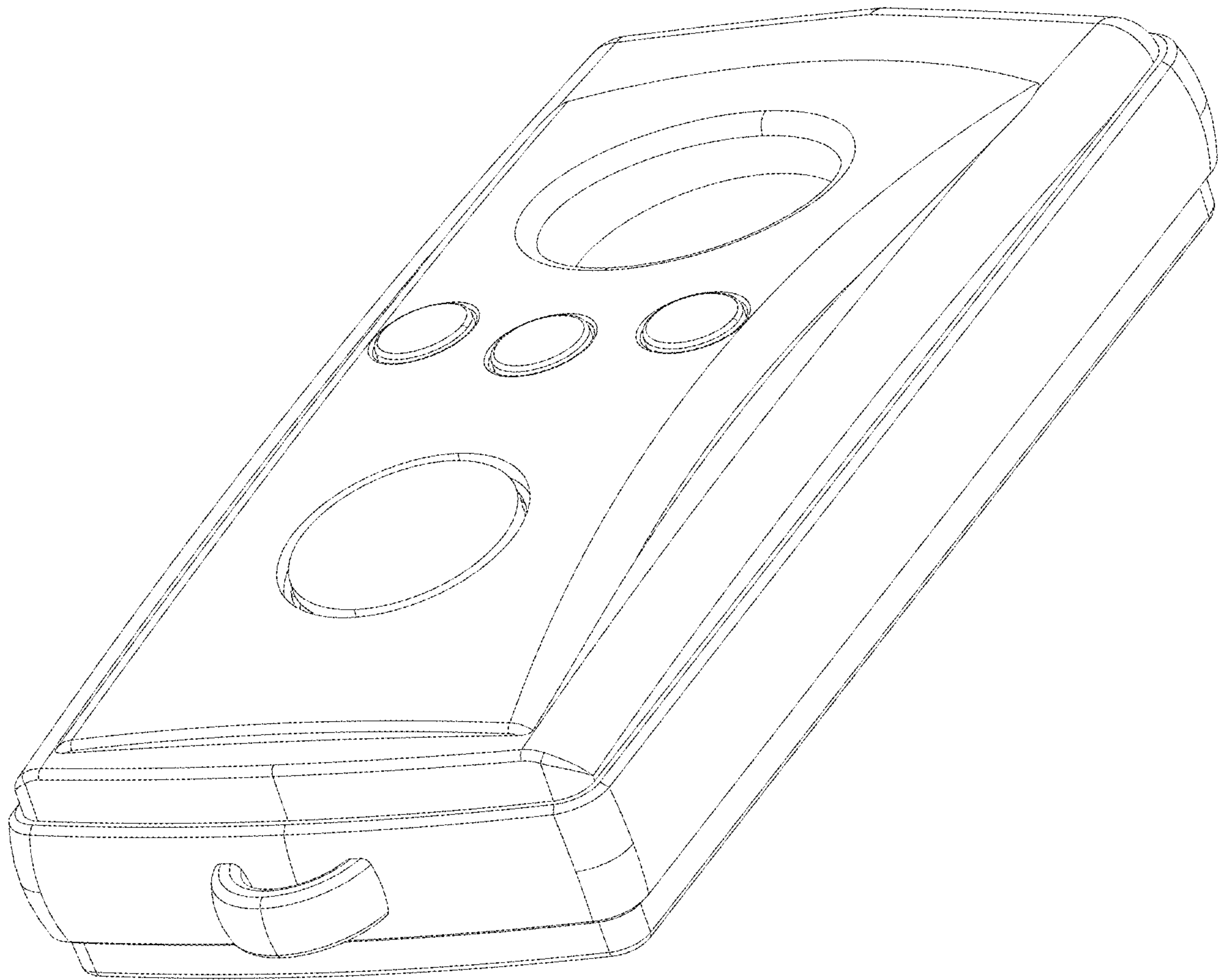


Fig. 7

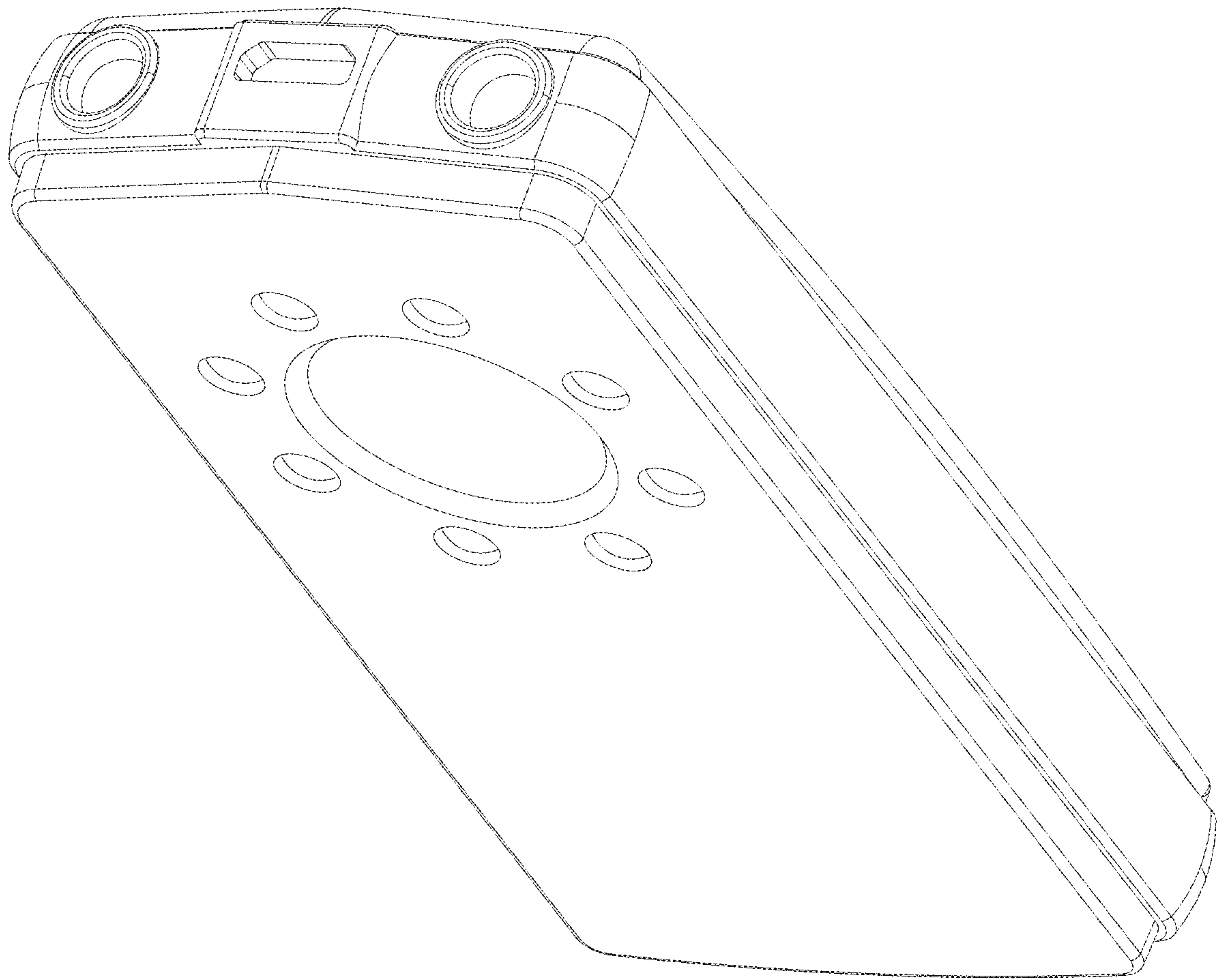


Fig. 8