



US00D938836S

(12) **United States Design Patent** (10) **Patent No.:** **US D938,836 S**
Matsubayashi et al. (45) **Date of Patent:** **** Dec. 21, 2021**

(54) **TEMPERATURE CONTROL DEVICE**
 (71) Applicant: **SHINWA CONTROLS CO., LTD.**,
 Kawasaki (JP)
 (72) Inventors: **Shuya Matsubayashi**, Kawasaki (JP);
Kazushige Takahira, Kawasaki (JP)
 (73) Assignee: **SHINWA CONTROLS CO., LTD.**

D646,239 S * 10/2011 Chandler, Jr. D13/184
 D680,009 S * 4/2013 Marmier D10/56
 D762,496 S * 8/2016 Tanaka D10/50
 D833,982 S * 11/2018 Vierjarvi D13/163
 D854,499 S * 7/2019 Lilja D13/123
 10,656,110 B2 * 5/2020 Higashida F25B 41/20
 D894,133 S * 8/2020 Brenk D13/158
 2013/0147328 A1 * 6/2013 Laye H02B 13/02
 312/223.6
 2020/0174066 A1 * 6/2020 Kobayashi H01L 21/67109

(**) Term: **15 Years**

(21) Appl. No.: **29/706,470**

(22) Filed: **Sep. 20, 2019**

(30) **Foreign Application Priority Data**

Jul. 24, 2019 (JP) 2019-016533

(51) **LOC (13) Cl.** **23-03**

(52) **U.S. Cl.**
 USPC **D10/50**

(58) **Field of Classification Search**
 USPC D10/46, 49, 50, 51, 52, 53; D13/123,
 D13/133, 158, 162, 162.1, 163, 184;
 D23/207

CPC F25B 49/022; F25B 2600/00; G05D
 23/1919; H02K 5/00; H01H 2223/00;
 H05K 5/00

See application file for complete search history.

(56) **References Cited**

U.S. PATENT DOCUMENTS

D357,056 S * 4/1995 Linton D23/200
 D359,055 S * 6/1995 Drago D15/79
 D489,276 S * 5/2004 Kido D10/125

FOREIGN PATENT DOCUMENTS

CN 305052669 * 3/2019
 JP D1553618 * 7/2016
 JP D1573590 * 4/2017
 KR 300721215.0000 * 12/2013
 KR 300561659.0001 * 12/2014

* cited by examiner

Primary Examiner — Leanne Was-Englehart

(74) *Attorney, Agent, or Firm* — Saidman DesignLaw
 Group, LLC

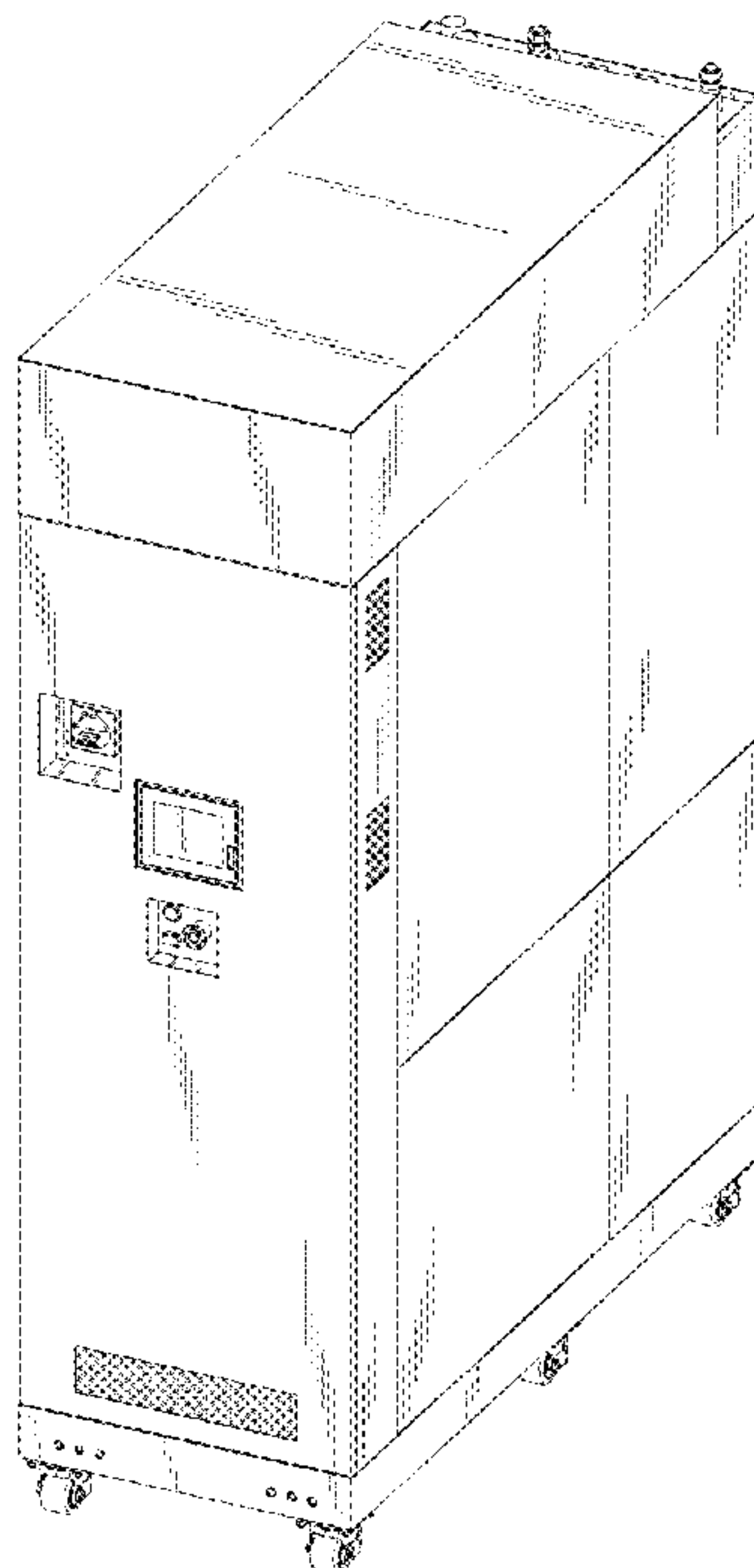
(57) **CLAIM**

The ornamental design for a temperature control device, as shown and described.

DESCRIPTION

FIG. 1 is a front perspective view of a temperature control device showing our new design;
 FIG. 2 is a rear perspective view thereof;
 FIG. 3 is a front view thereof;
 FIG. 4 is a rear view thereof;
 FIG. 5 is a left side view thereof;
 FIG. 6 is a right side view thereof;
 FIG. 7 is a top view thereof; and,
 FIG. 8 is a bottom view thereof.

1 Claim, 8 Drawing Sheets



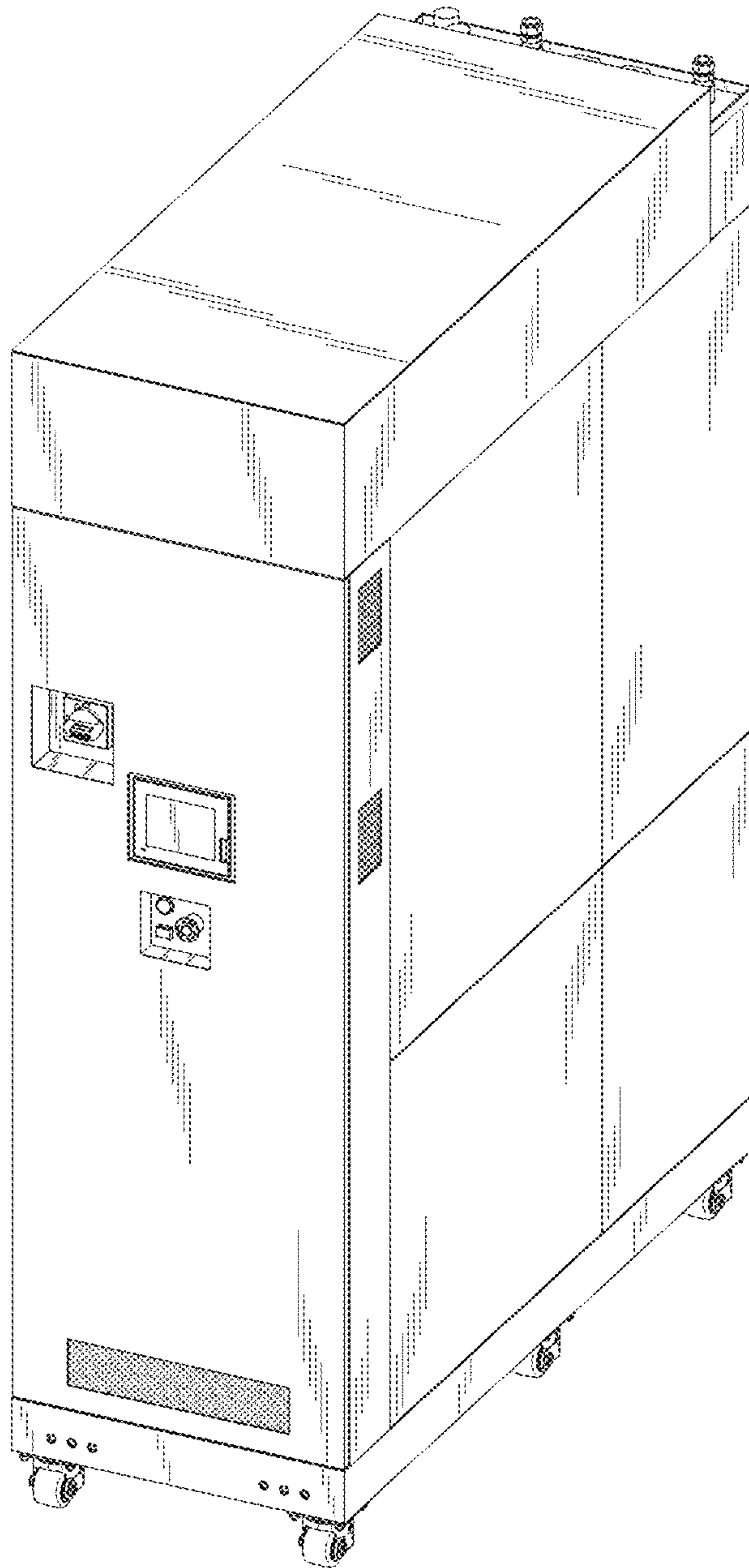


FIG. 1

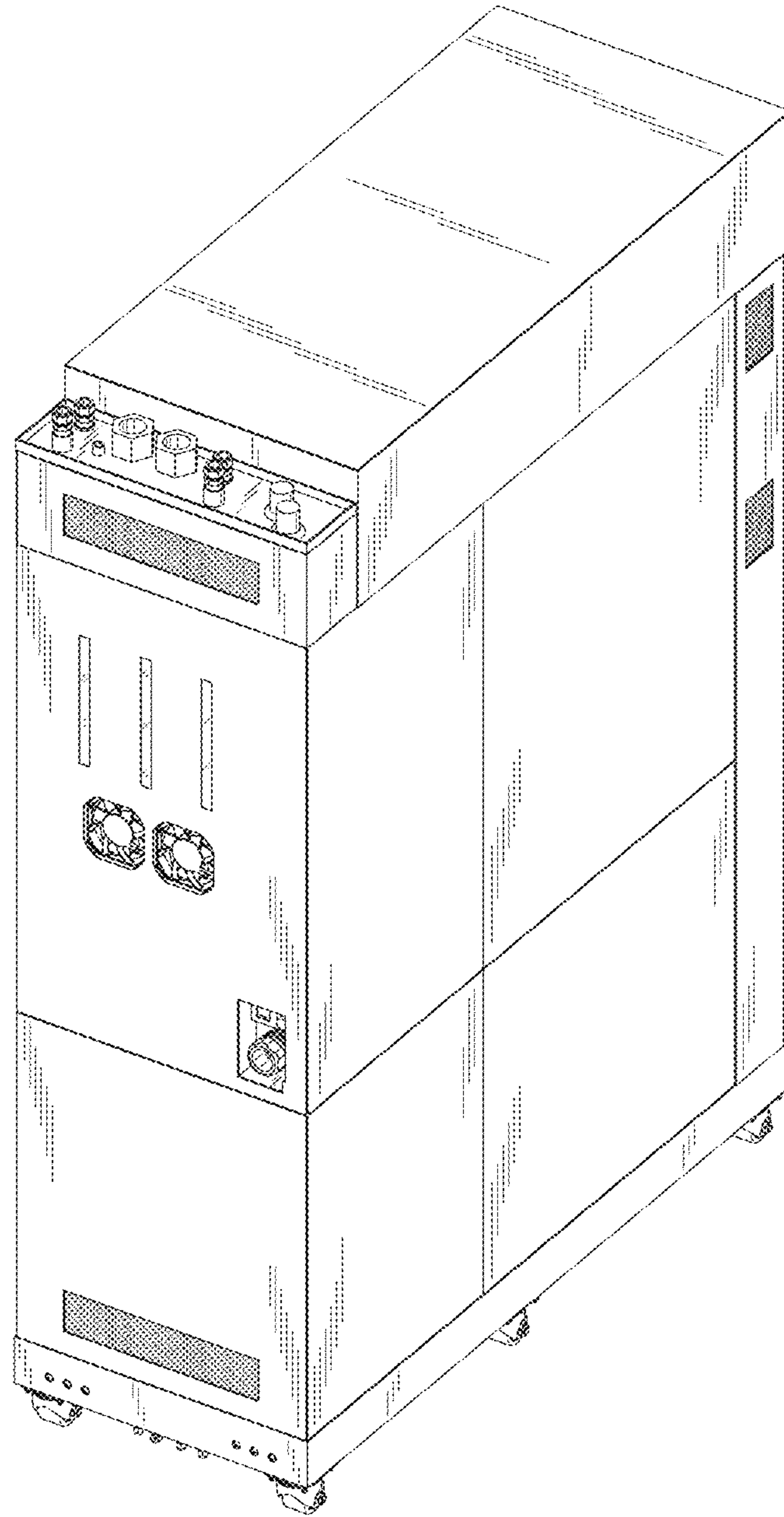


FIG. 2

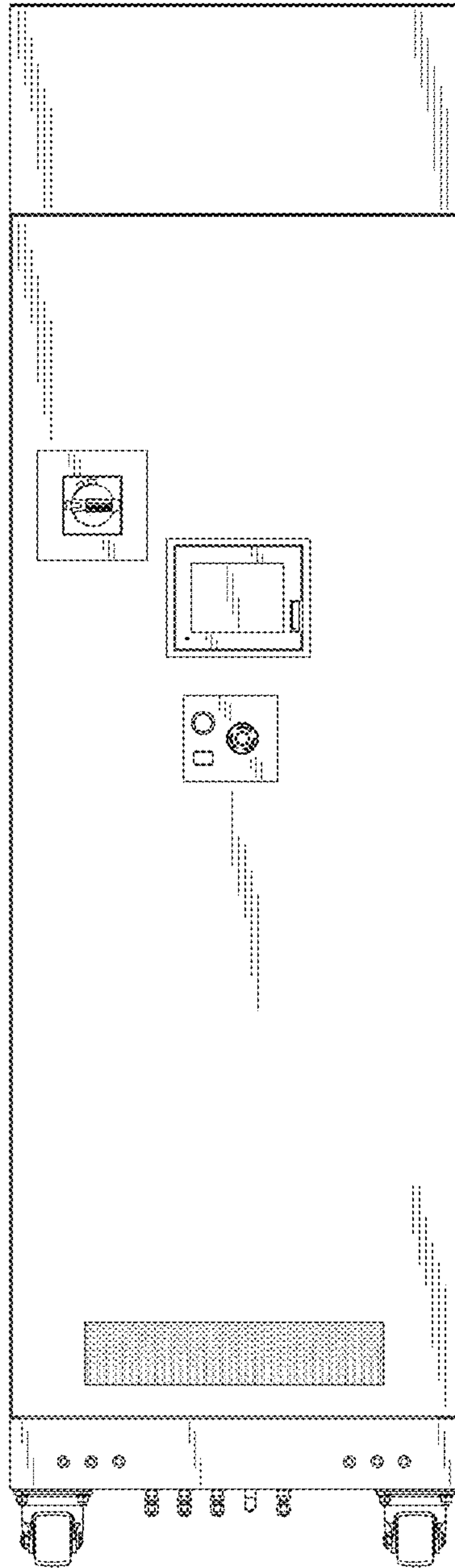


FIG. 3

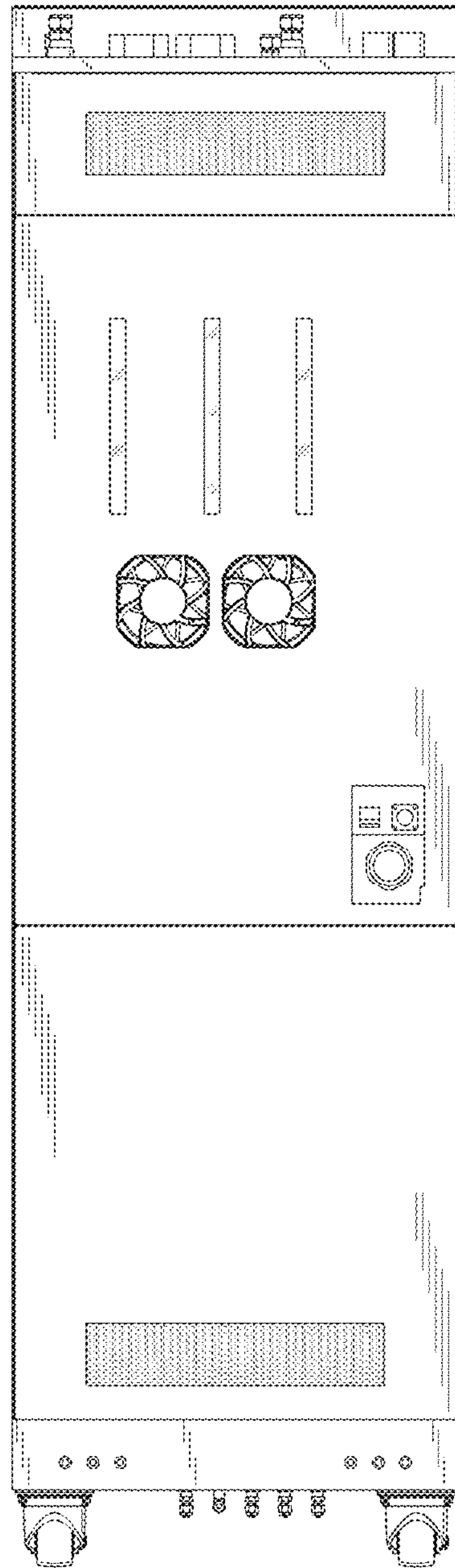


FIG. 4

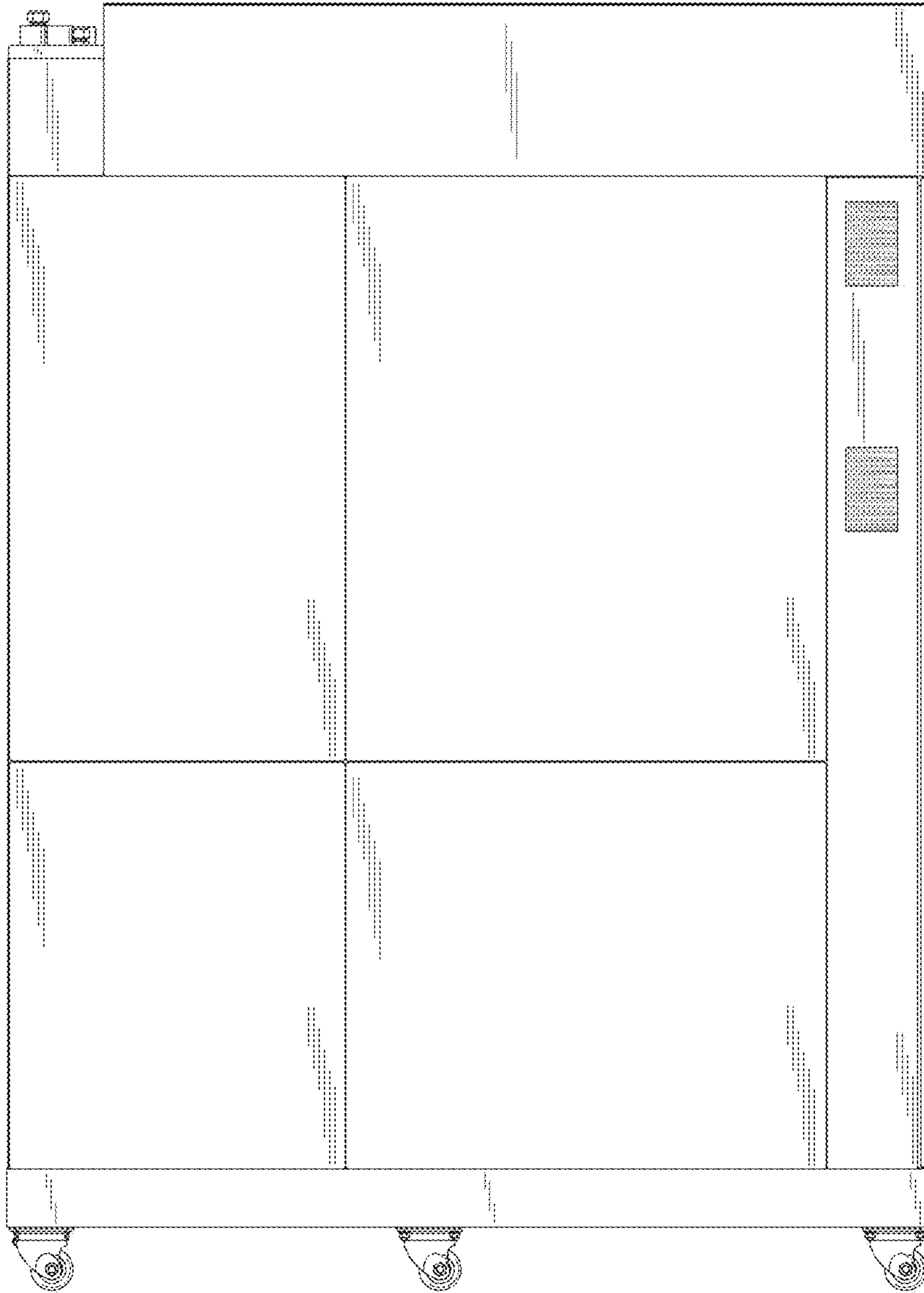


FIG. 5

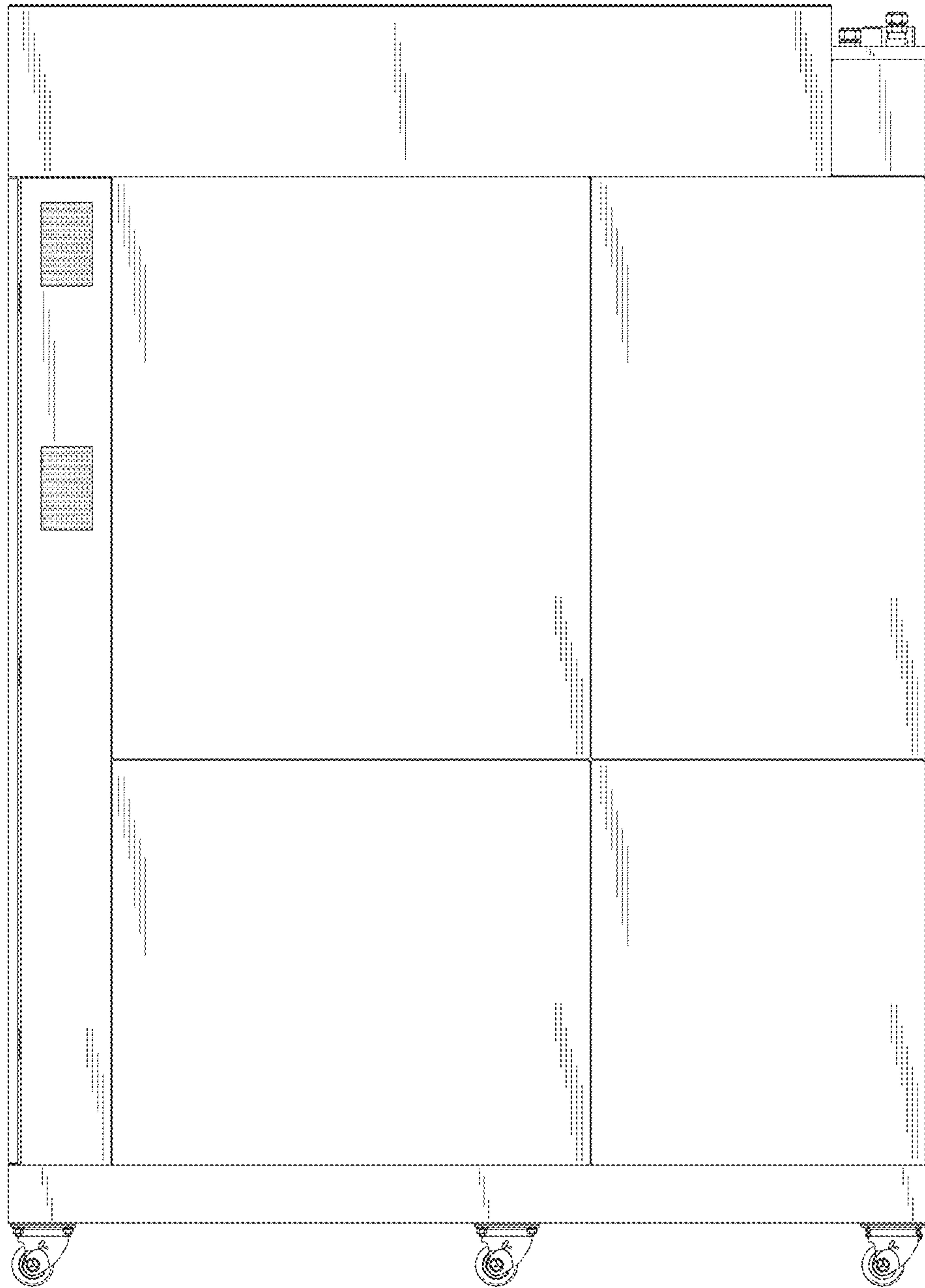


FIG. 6

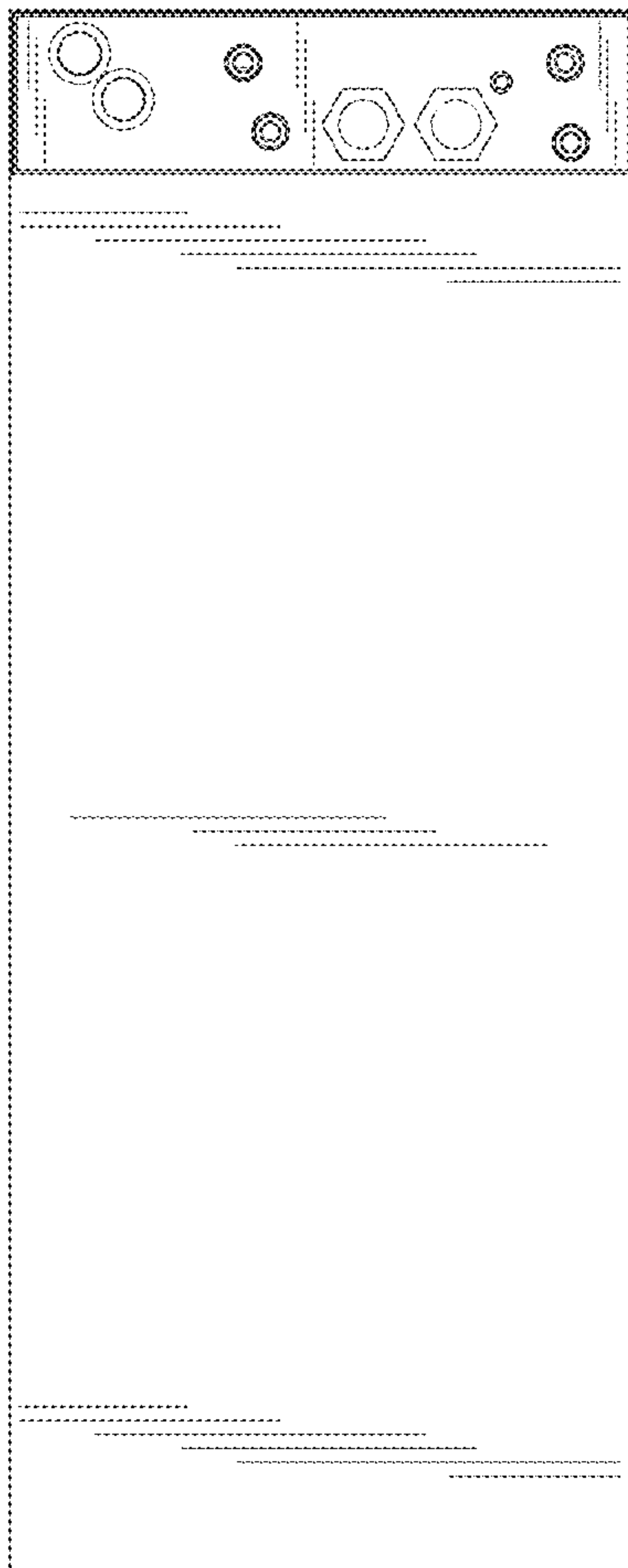


FIG. 7

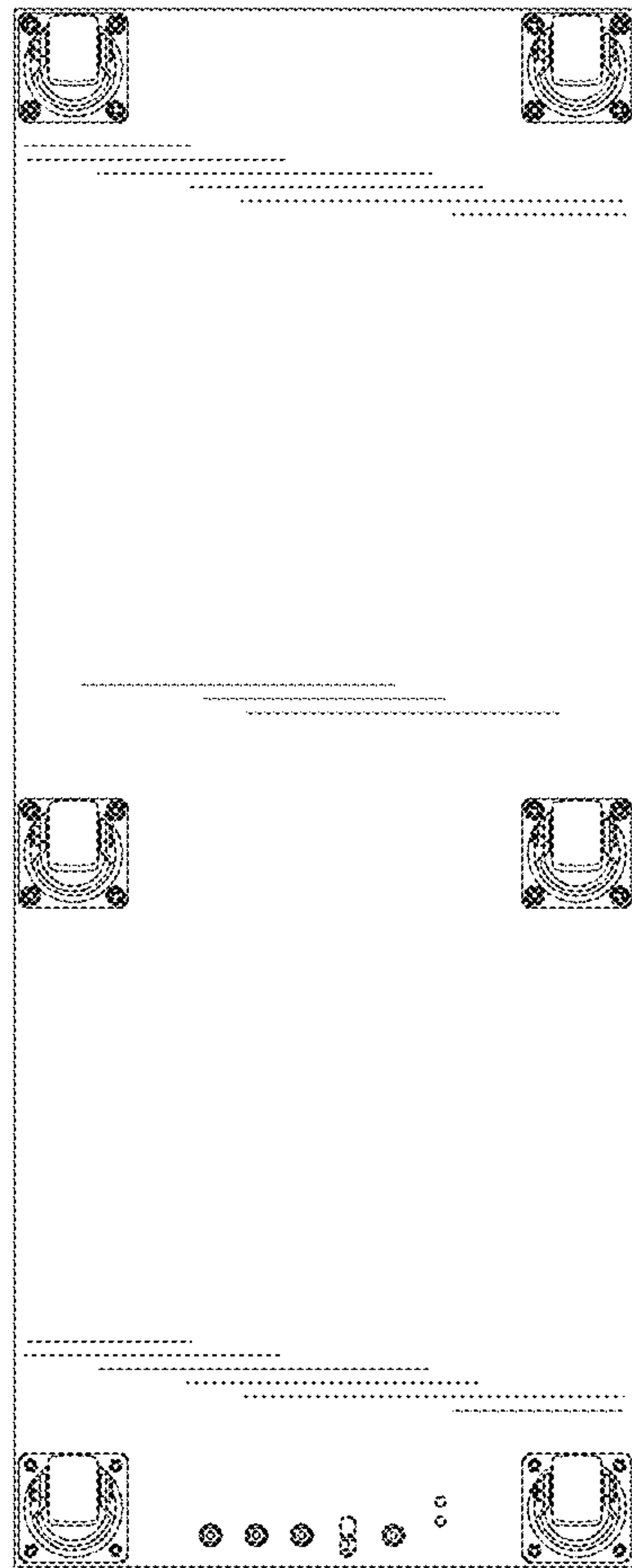


FIG. 8