



US00D938835S

(12) **United States Design Patent**
Yang et al.

(10) **Patent No.:** **US D938,835 S**

(45) **Date of Patent:** **** Dec. 21, 2021**

(54) **COMBINED CONTROL AND DISPLAY UNIT FOR FOOD THERMOMETER**

(71) Applicant: **ETEK CITY CORPORATION**,
Anaheim, CA (US)

(72) Inventors: **Lin Yang**, Shenzhen (CN); **Hai Yang**,
Shenzhen (CN)

(**) Term: **15 Years**

(21) Appl. No.: **29/721,315**

(22) Filed: **Jan. 20, 2020**

(30) **Foreign Application Priority Data**

Jul. 19, 2019 (CN) 201930386105.9

(51) **LOC (13) Cl.** **10-04**

(52) **U.S. Cl.**
USPC **D10/49**

(58) **Field of Classification Search**
USPC D10/49, 50, 52, 57, 78
CPC G01K 1/024; G01K 2207/02; G01K
2207/04; G01K 2207/06; G01K 2207/08
See application file for complete search history.

(56) **References Cited**

U.S. PATENT DOCUMENTS

- 6,712,505 B2 * 3/2004 Chapman G01K 1/024
340/870.17
- D660,732 S * 5/2012 Bould D10/50
- D766,747 S * 9/2016 Repp D10/50
- D766,748 S * 9/2016 Repp D10/50

- D779,977 S * 2/2017 Jacob D10/50
- D875,570 S * 2/2020 Hernandez D10/52
- D895,445 S * 9/2020 Lund Henriksen D10/49
- D895,446 S * 9/2020 Lund Henriksen D10/49
- D895,447 S * 9/2020 Lund Henriksen D10/49
- D895,448 S * 9/2020 Lund Henriksen D10/49
- D895,449 S * 9/2020 Lund Henriksen D10/49
- D895,450 S * 9/2020 Lund Henriksen D10/49
- D895,451 S * 9/2020 Lund Henriksen D10/49
- D895,452 S * 9/2020 Lund Henriksen D10/49
- D895,453 S * 9/2020 Lund Henriksen D10/49
- D896,661 S * 9/2020 Lund Henriksen D10/49
- 10,942,066 B2 * 3/2021 Allen, Sr. G01K 1/024

* cited by examiner

Primary Examiner — Leanne Was-Englehart

(74) *Attorney, Agent, or Firm* — Tsz Lung Yeung

(57) **CLAIM**

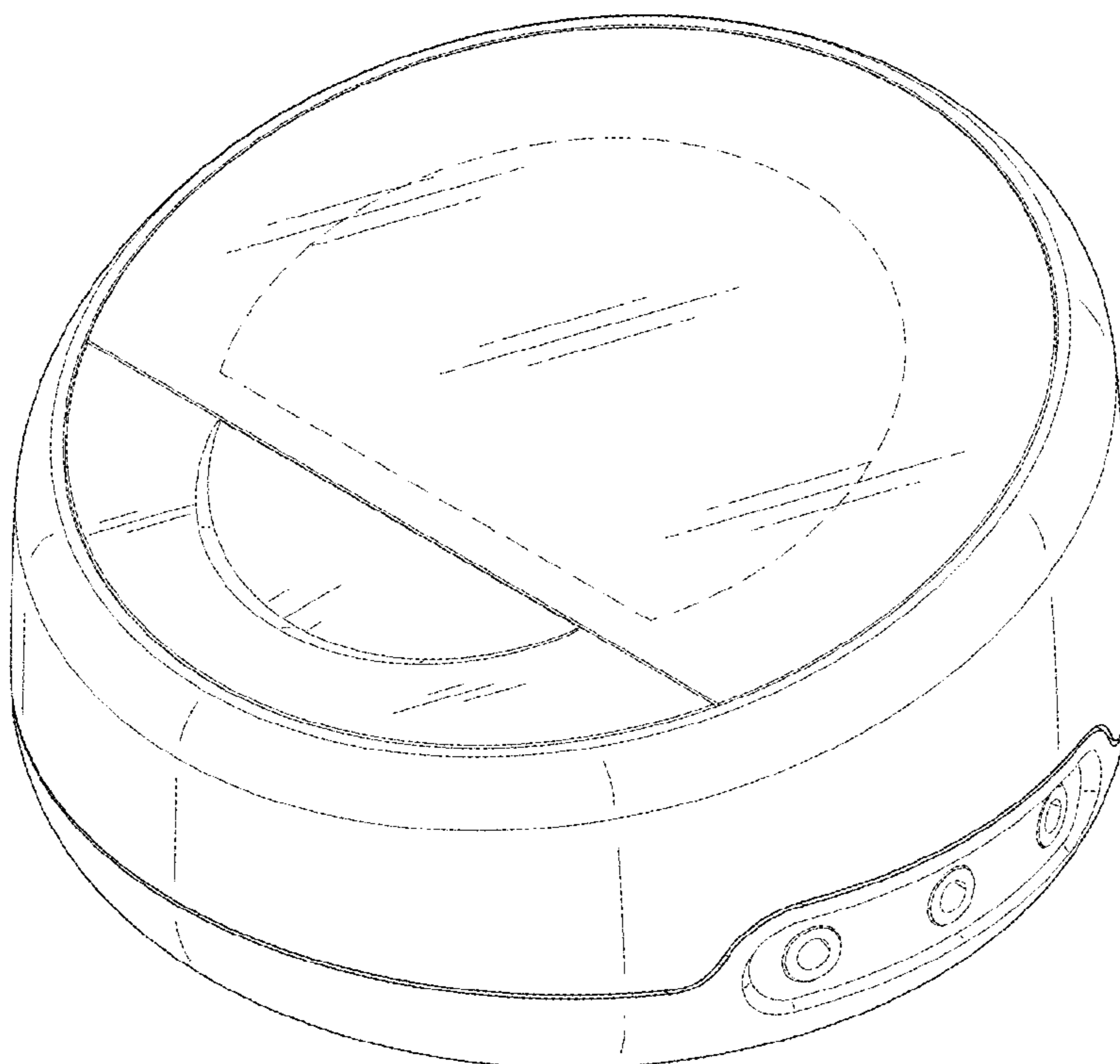
The ornamental design for a combined control and display unit for food thermometer, as shown and described.

DESCRIPTION

FIG. 1 is a perspective view of a combined control and display unit for food thermometer showing my new design; FIG. 2 is a front view thereof; FIG. 3 is a rear view thereof; FIG. 4 is a right side view thereof; FIG. 5 is a left side view thereof; FIG. 6 is a top view thereof; and, FIG. 7 is a bottom view thereof.

The broken lines depict portions of the combined control and display unit for food thermometer that form no part of the claimed design.

1 Claim, 7 Drawing Sheets



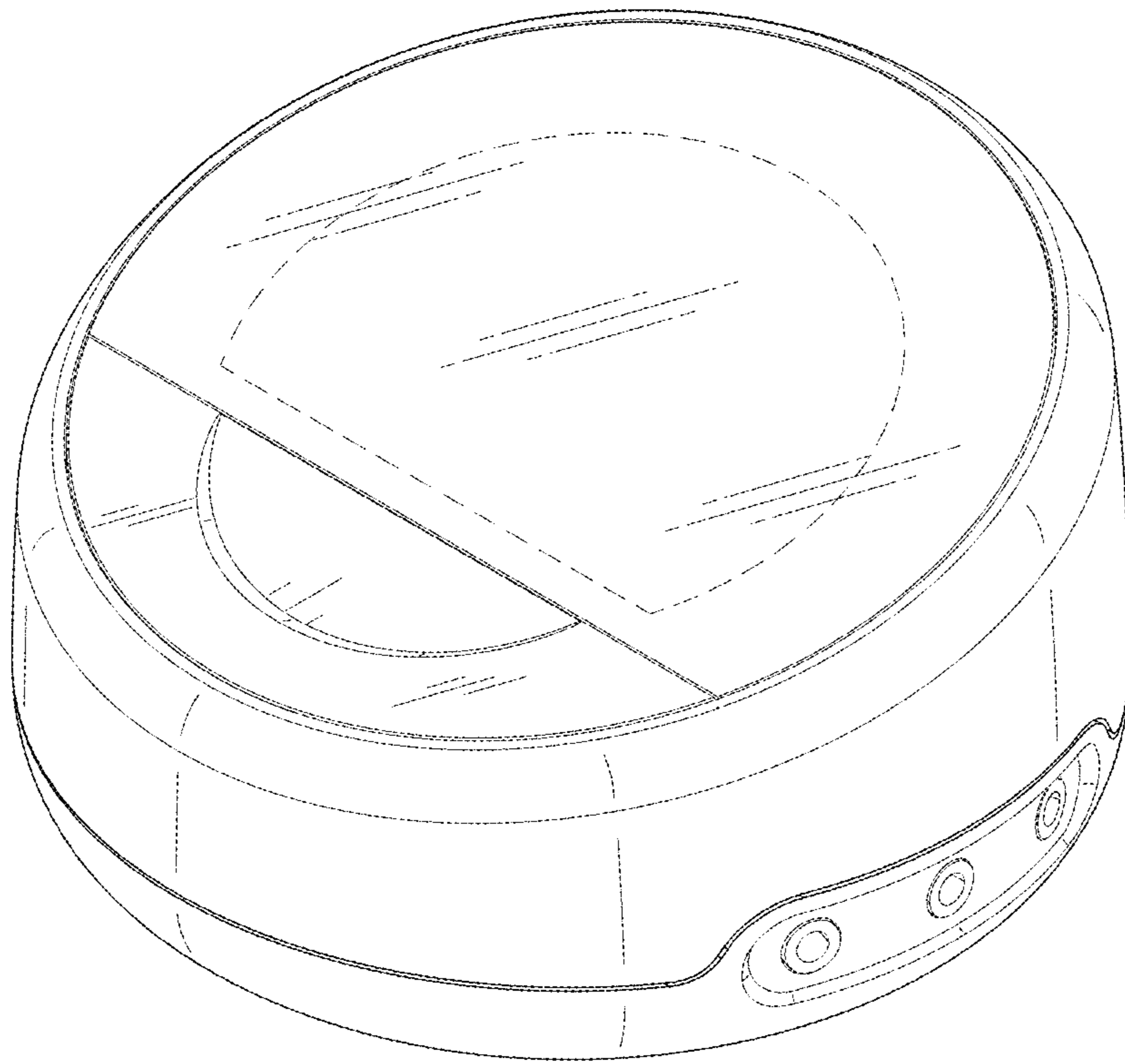


FIG. 1

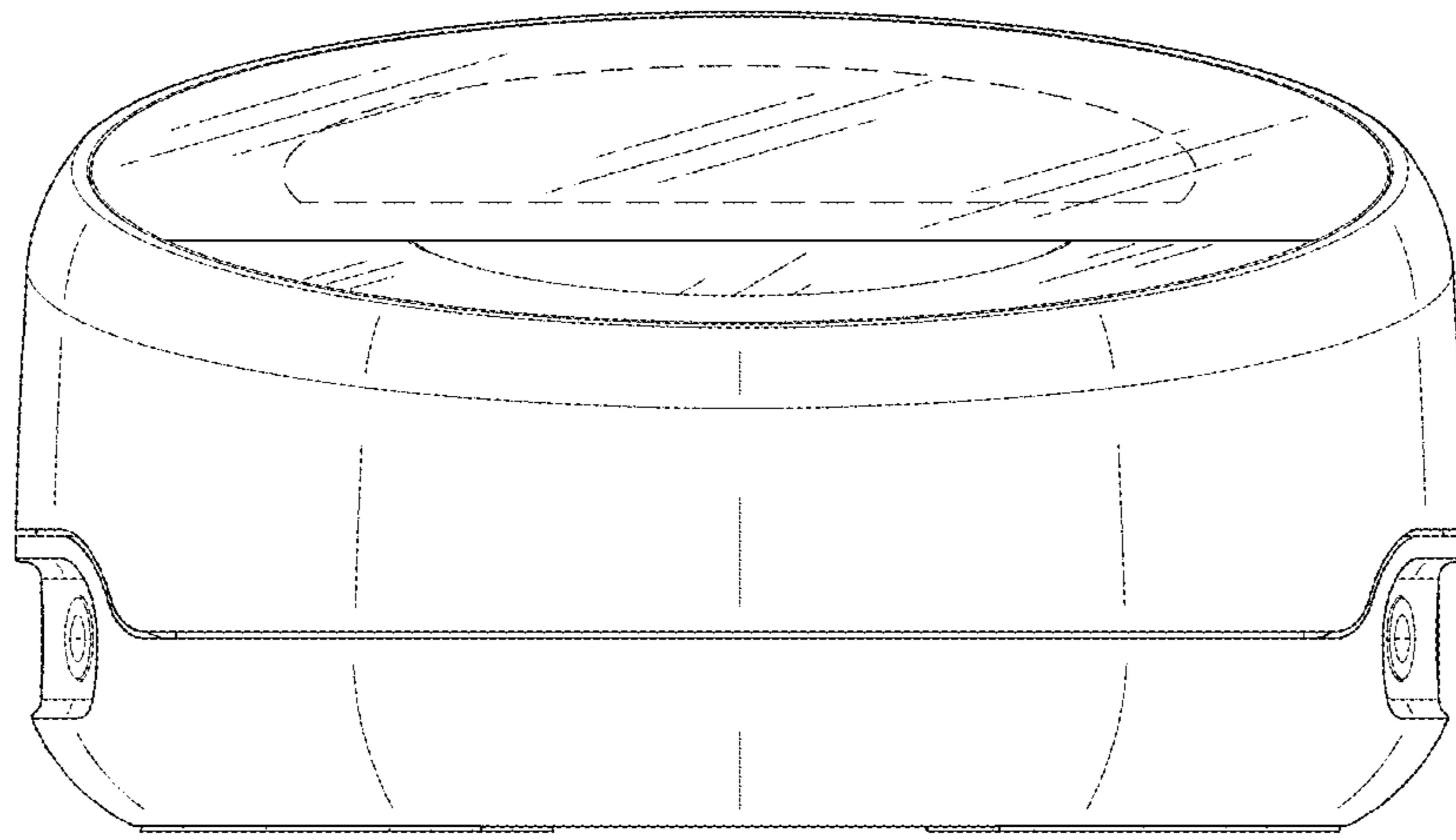


FIG.2

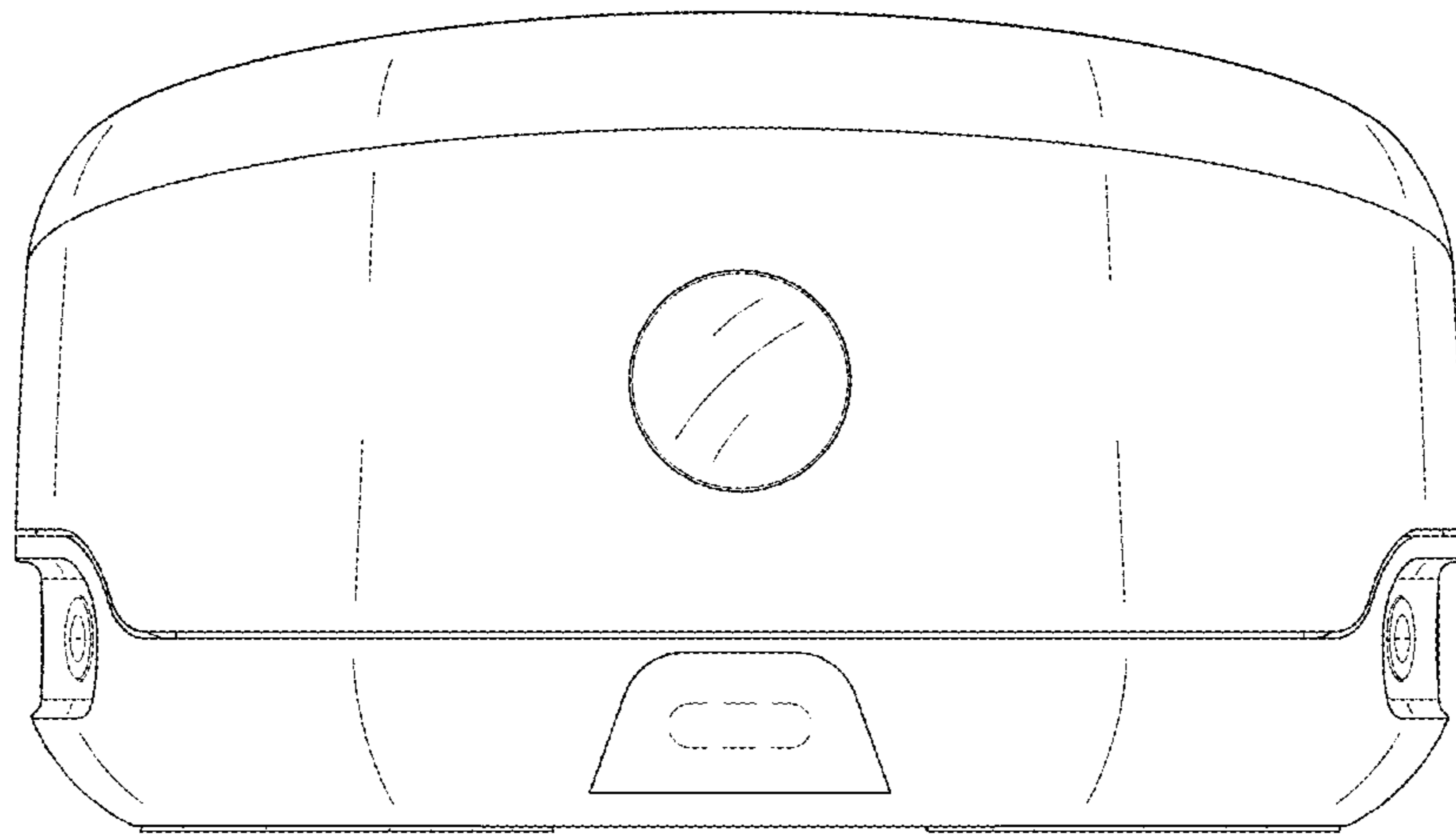


FIG. 3

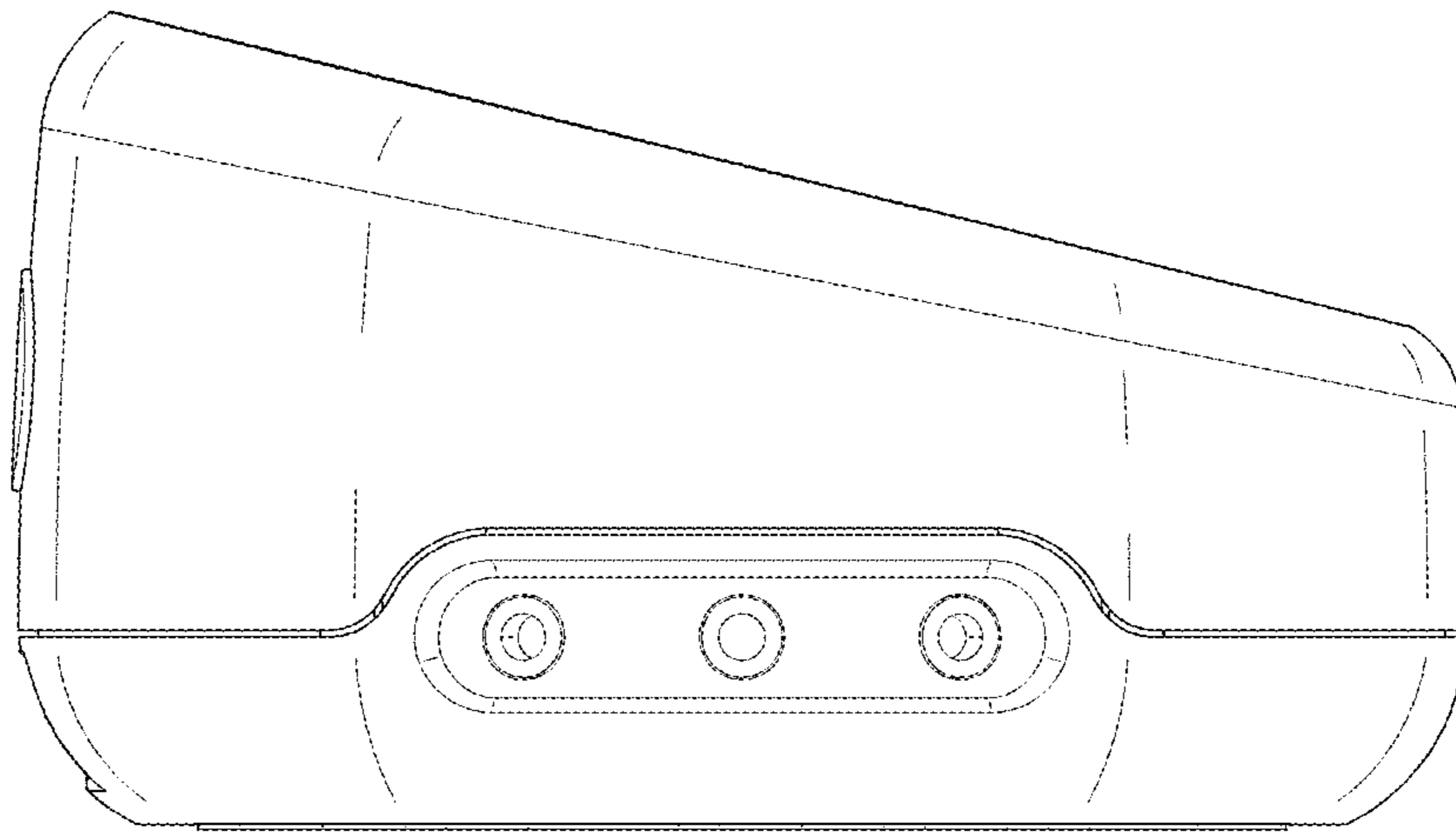


FIG.4

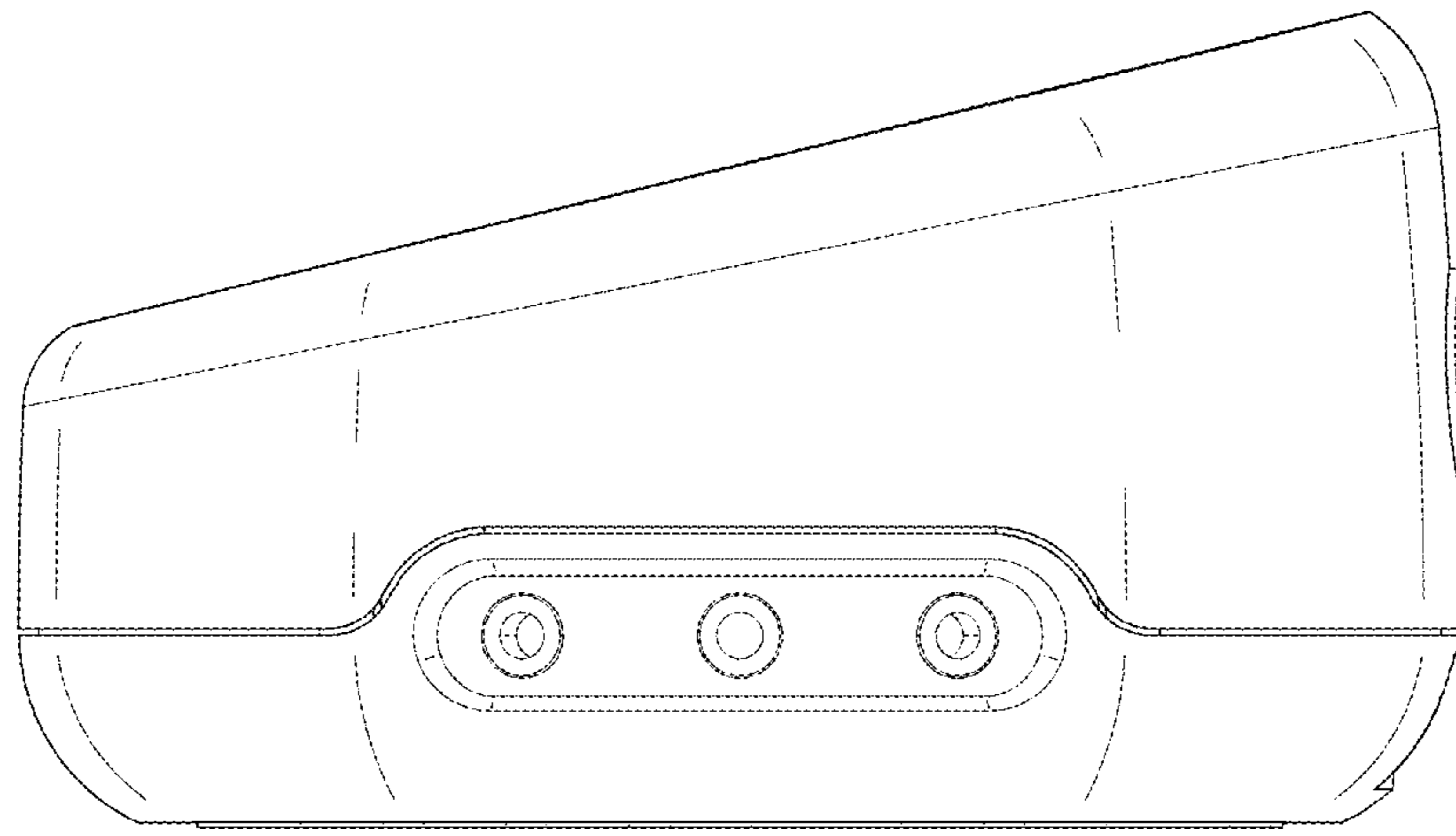


FIG. 5

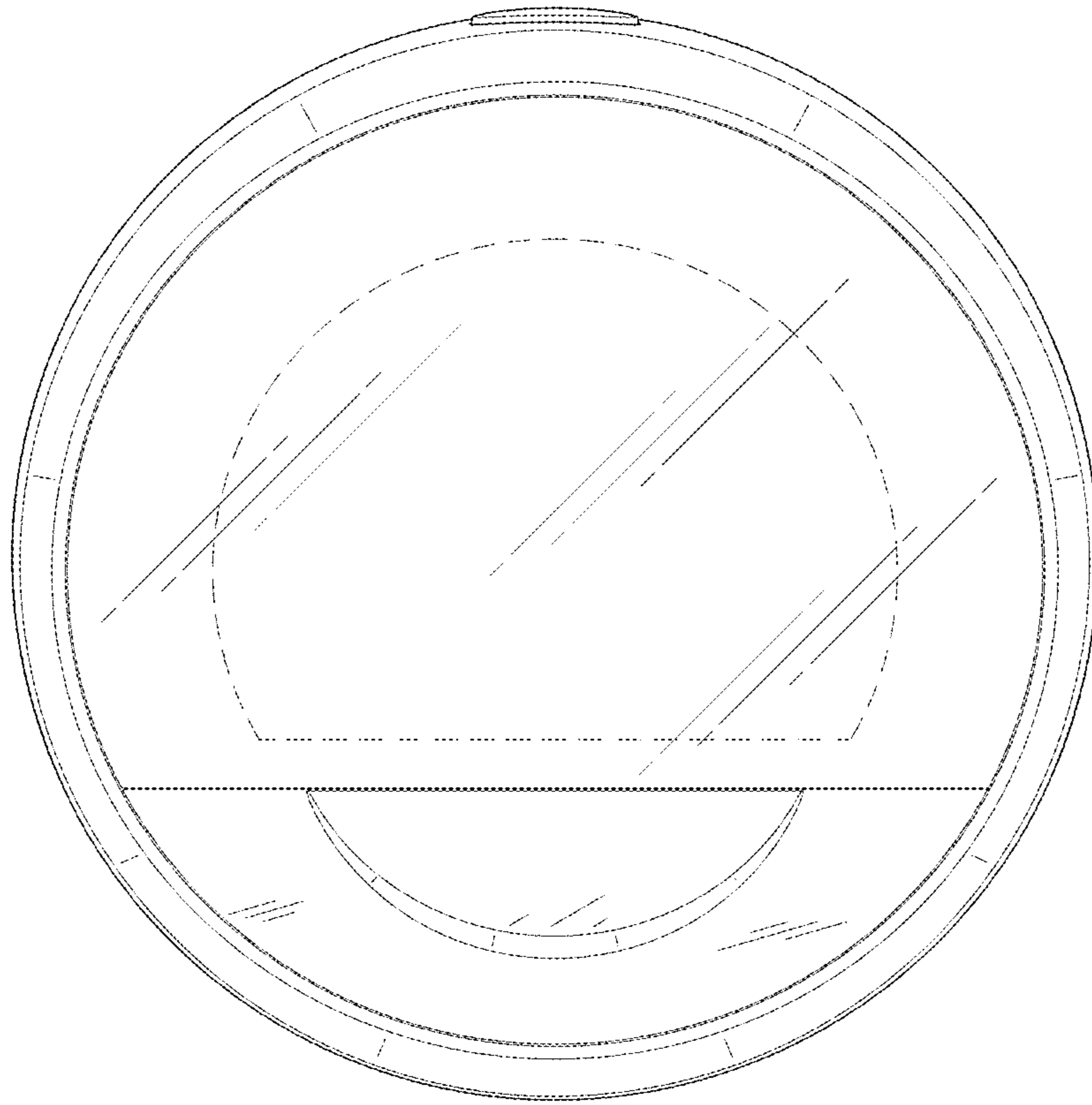


FIG.6

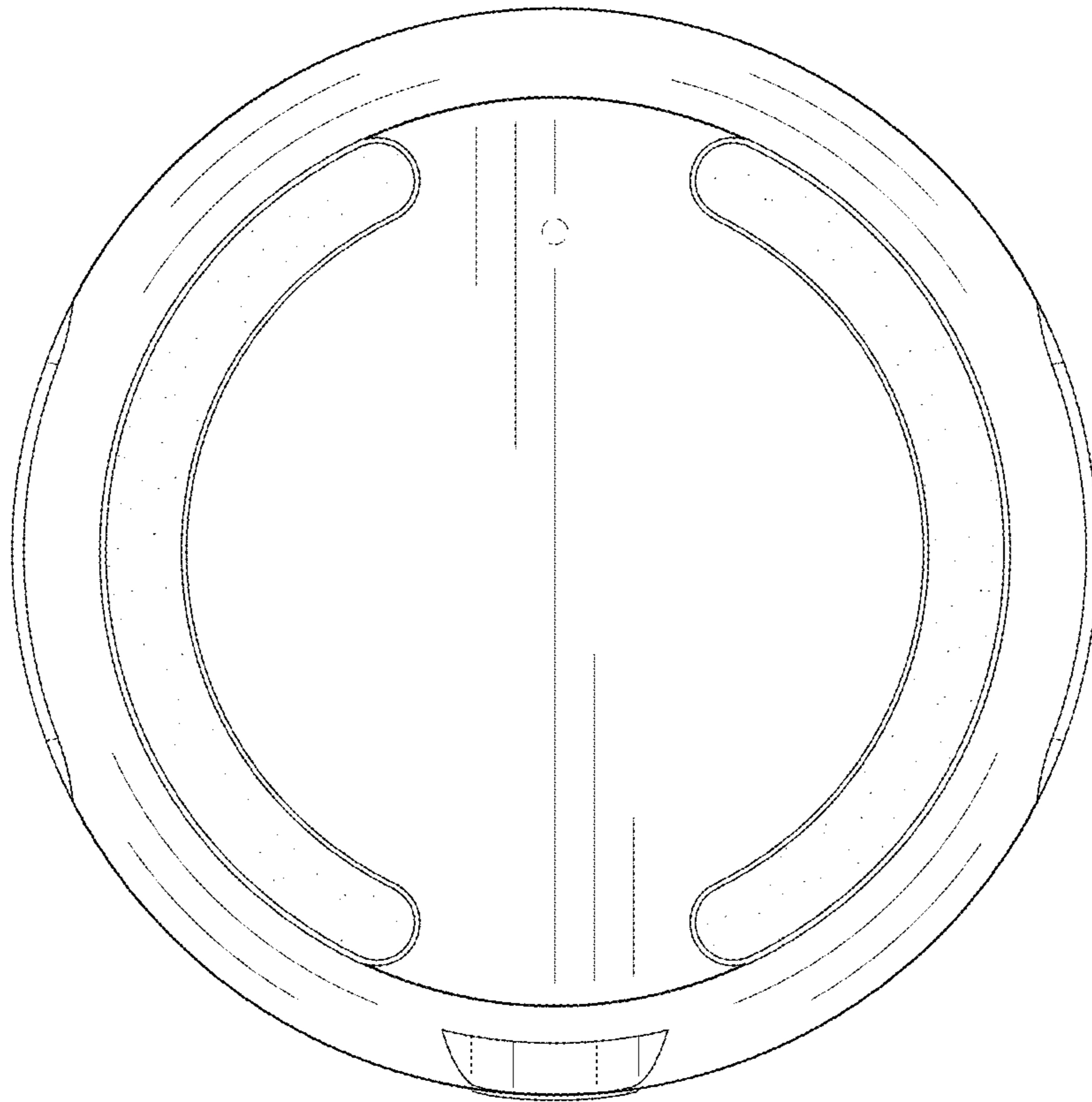


FIG. 7