



US00D938834S

(12) **United States Design Patent**
Rogers et al.

(10) **Patent No.:** **US D938,834 S**

(45) **Date of Patent:** **** Dec. 21, 2021**

(54) **TIMER**

(71) Applicant: **Time Timer LLC**, Cincinnati, OH (US)

(72) Inventors: **David M. Rogers**, Cincinnati, OH (US); **Heather Rogers**, Cincinnati, OH (US); **Tricia L. Wright**, San Francisco, CA (US)

(73) Assignee: **Time Timer, LLC**, Cincinnati, OH (US)

(**) Term: **15 Years**

(21) Appl. No.: **29/743,535**

(22) Filed: **Jul. 22, 2020**

(51) **LOC (13) Cl.** **10-03**

(52) **U.S. Cl.**
USPC **D10/41**

(58) **Field of Classification Search**

USPC D10/2, 15, 22, 40-41, 46, 46.1, 104.1, D10/106.1, 106.5, 106.6; D21/324, 328, D21/329; D14/488, 490, 494-495

CPC G06Q 50/34; G04F 1/00; G06F 1/005; G04G 17/00; G04G 17/005; G04G 17/08; G04G 13/00; G04G 13/02; G04G 13/021; G04G 13/025

See application file for complete search history.

(56) **References Cited**

U.S. PATENT DOCUMENTS

- 3,357,703 A * 12/1967 Hurley A63F 9/24 463/22
- D249,025 S * 8/1978 Nakamura D10/125
- D298,414 S * 11/1988 Dawson, Jr. D10/15
- D299,011 S * 12/1988 Br/u/ ssing D10/15
- D299,316 S * 1/1989 Vickery D10/126
- D386,690 S * 11/1997 Lewis D10/15

(Continued)

Primary Examiner — Katherine Glennon

(74) *Attorney, Agent, or Firm* — Wood Herron & Evans LLP

(57) **CLAIM**

The ornamental design for a timer, as shown and described.

DESCRIPTION

FIG. 1 is a front left isometric view of one embodiment of a timer illustrating our new design.

FIG. 2 is a rear right isometric view thereof.

FIG. 3 is a front view thereof.

FIG. 4 is a rear view thereof.

FIG. 5 is a left side view thereof.

FIG. 6 is a right side view thereof.

FIG. 7 is a top plan view thereof.

FIG. 8 is a bottom plan view thereof.

FIG. 9 is an enlarged front perspective view of the present invention, showing the screen illuminated.

FIG. 10 is a front view thereof.

FIG. 11 is a front left isometric view of a second embodiment of the present invention.

FIG. 12 is a rear right side isometric view thereof.

FIG. 13 is a front view thereof.

FIG. 14 is a rear view thereof.

FIG. 15 is a left side view thereof.

FIG. 16 is a right side view thereof.

FIG. 17 is a top view thereof.

FIG. 18 is a bottom view thereof.

FIG. 19 is a front left side isometric view of a third embodiment of the present invention.

FIG. 20 is a rear right perspective view thereof.

FIG. 21 is a front view thereof.

FIG. 22 is a rear view thereof.

FIG. 23 is a left side view thereof.

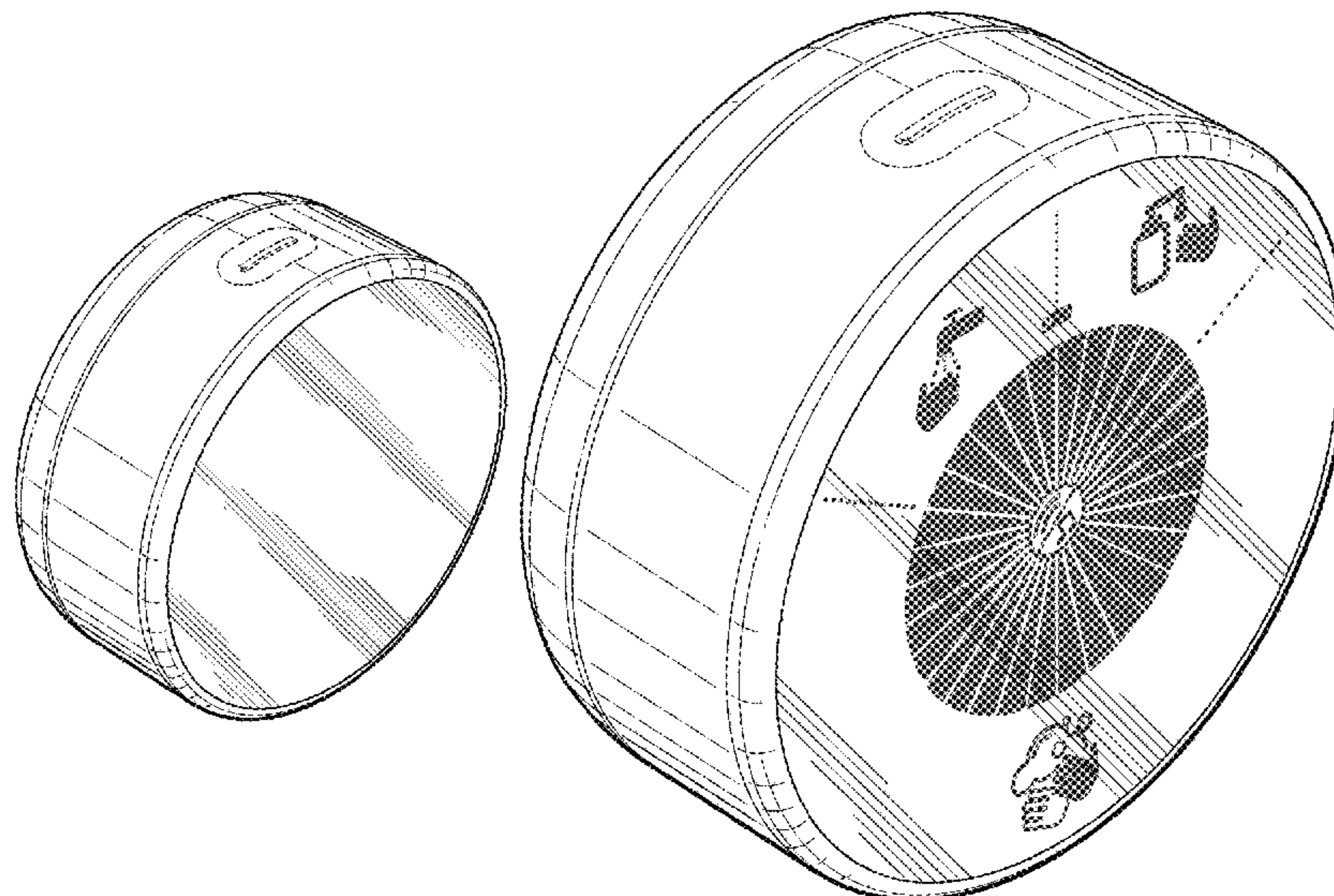
FIG. 24 is a right side view thereof.

FIG. 25 is a top view thereof; and,

FIG. 26 is a bottom view thereof.

The portions of the timer shown in broken lines form no part of the claimed design.

1 Claim, 14 Drawing Sheets



(56)

References Cited

U.S. PATENT DOCUMENTS

D414,428	S *	9/1999	Frantz	D10/22
D500,453	S *	1/2005	Cullen	D10/40
D515,440	S *	2/2006	Maddocks, III	D10/40
D599,222	S *	9/2009	Bialek-Wester	D10/15
D625,205	S *	10/2010	Schermuly	D10/44
D686,093	S *	7/2013	Wright	D10/40
D720,638	S *	1/2015	Rogers	D10/126
D744,365	S *	12/2015	Rogers	D10/125
D760,221	S *	6/2016	Maruyama	D14/357
D764,953	S *	8/2016	Virhia	D10/46
D766,844	S *	9/2016	Turksu	D13/168
D820,238	S *	6/2018	Boshernitzan	D14/218
D830,412	S *	10/2018	Linzie	D14/492
D830,858	S *	10/2018	Rogers	D10/41
D839,755	S *	2/2019	Du	D10/52
10,303,123	B1 *	5/2019	Rogers	G09B 19/12
2008/0253234	A1 *	10/2008	Rogers	G04F 1/005
				368/107
2016/0086577	A1 *	3/2016	Broadbent	G09G 5/10
				345/690
2019/0072910	A1 *	3/2019	Ghassabian	G04G 21/08
2020/0019126	A1 *	1/2020	Scorgie	G04G 17/08
2021/0294273	A1 *	9/2021	Rogers	G04F 1/005

* cited by examiner

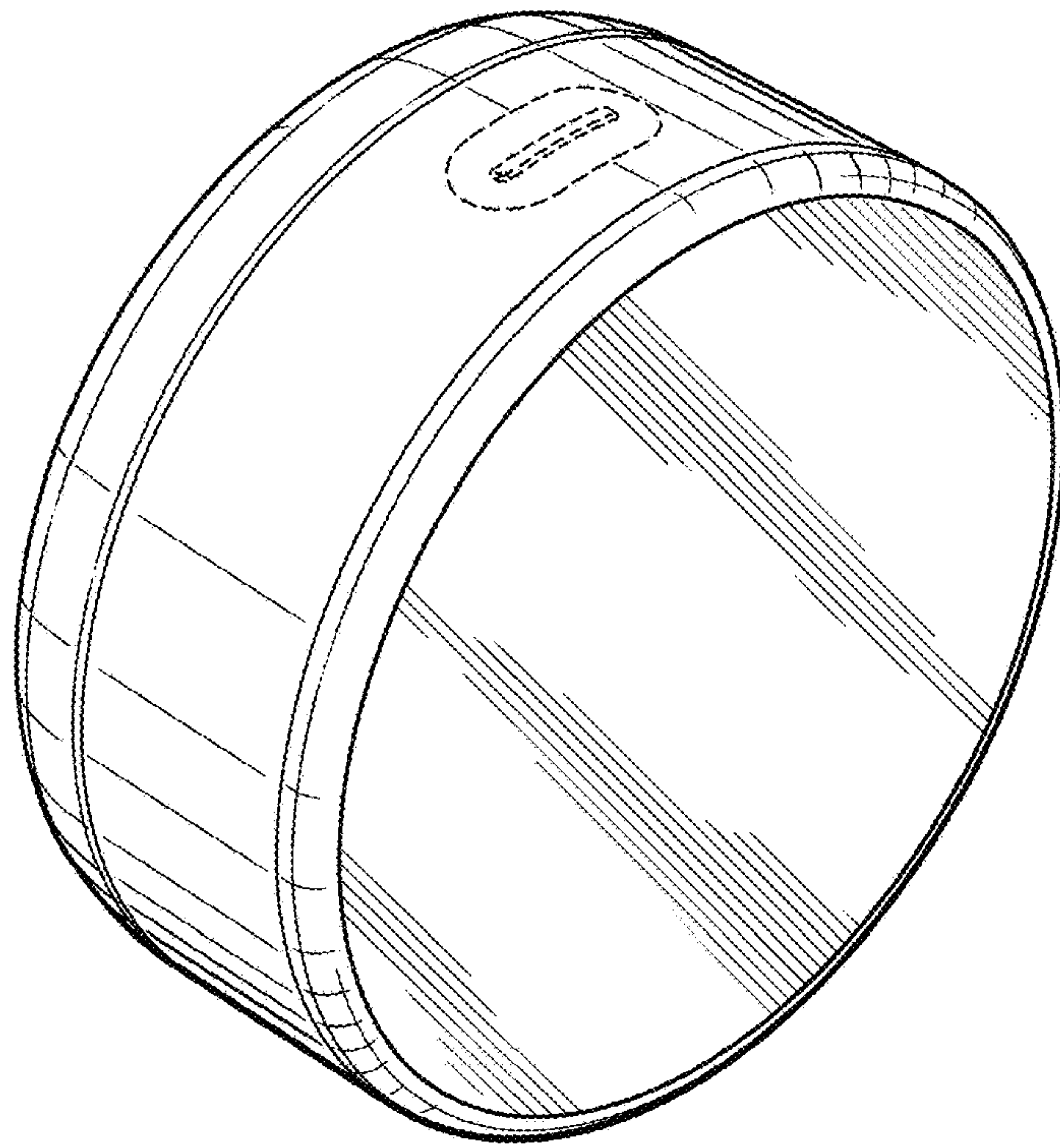


FIG. 1

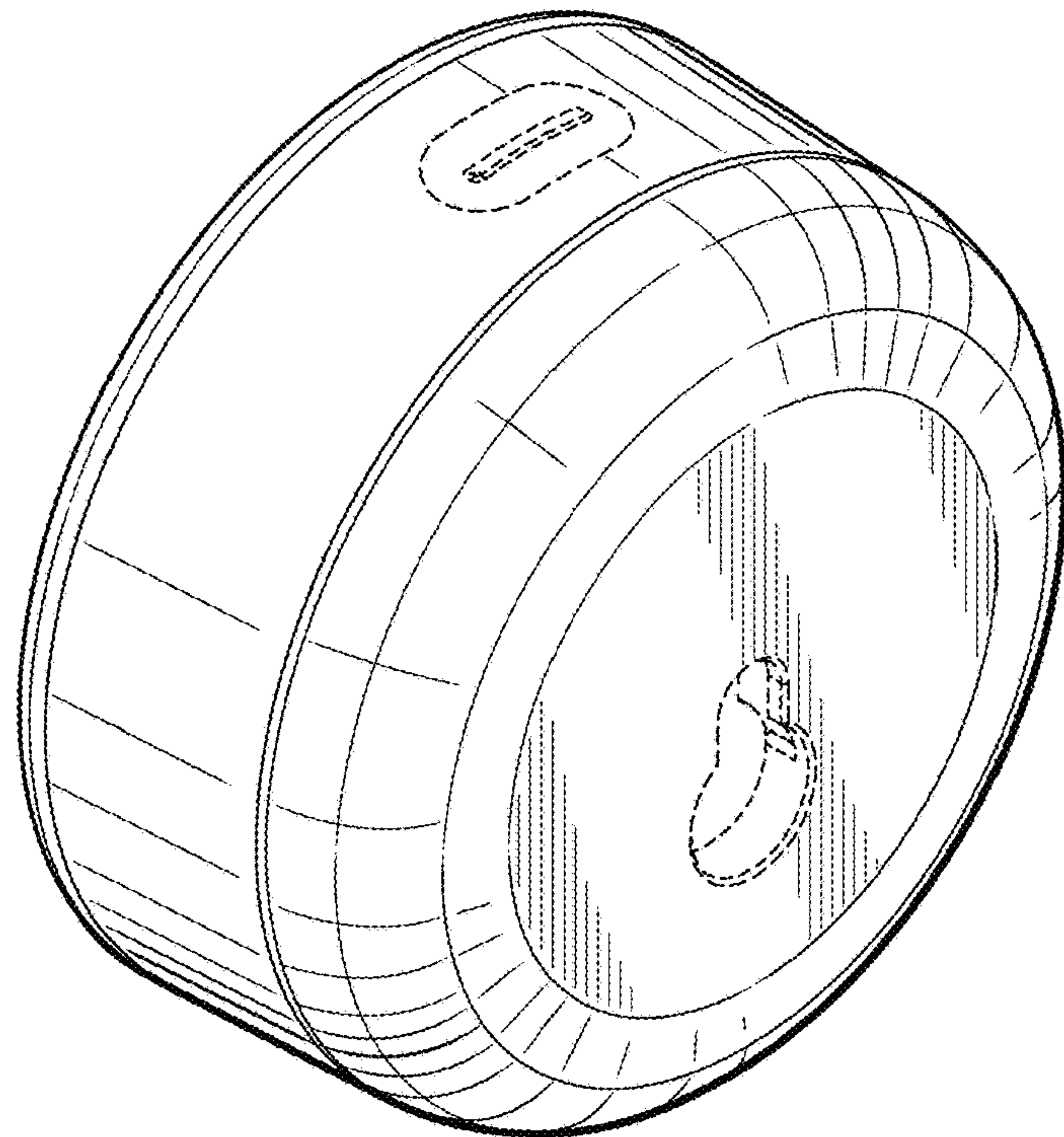


FIG. 2

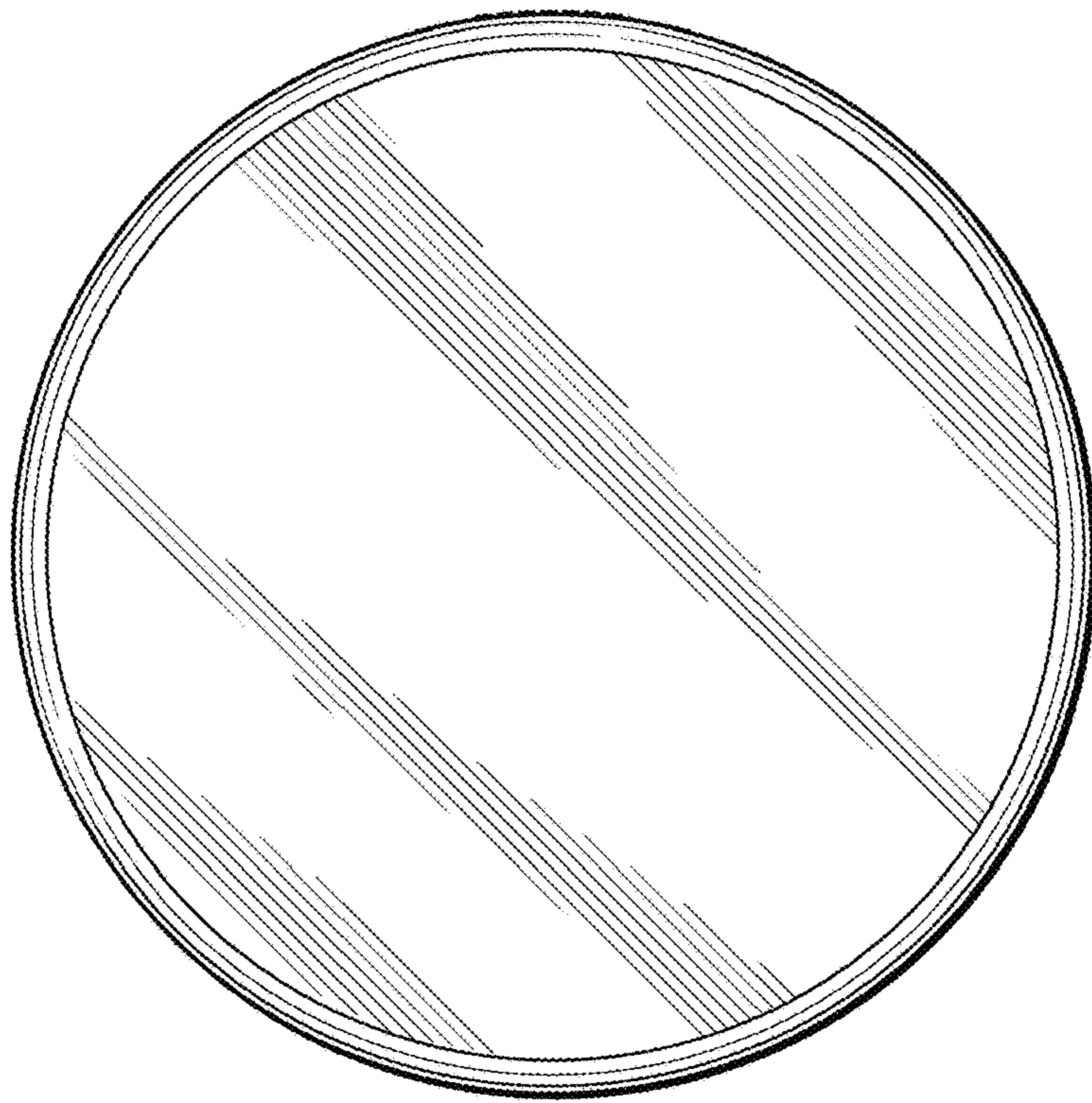


FIG. 3

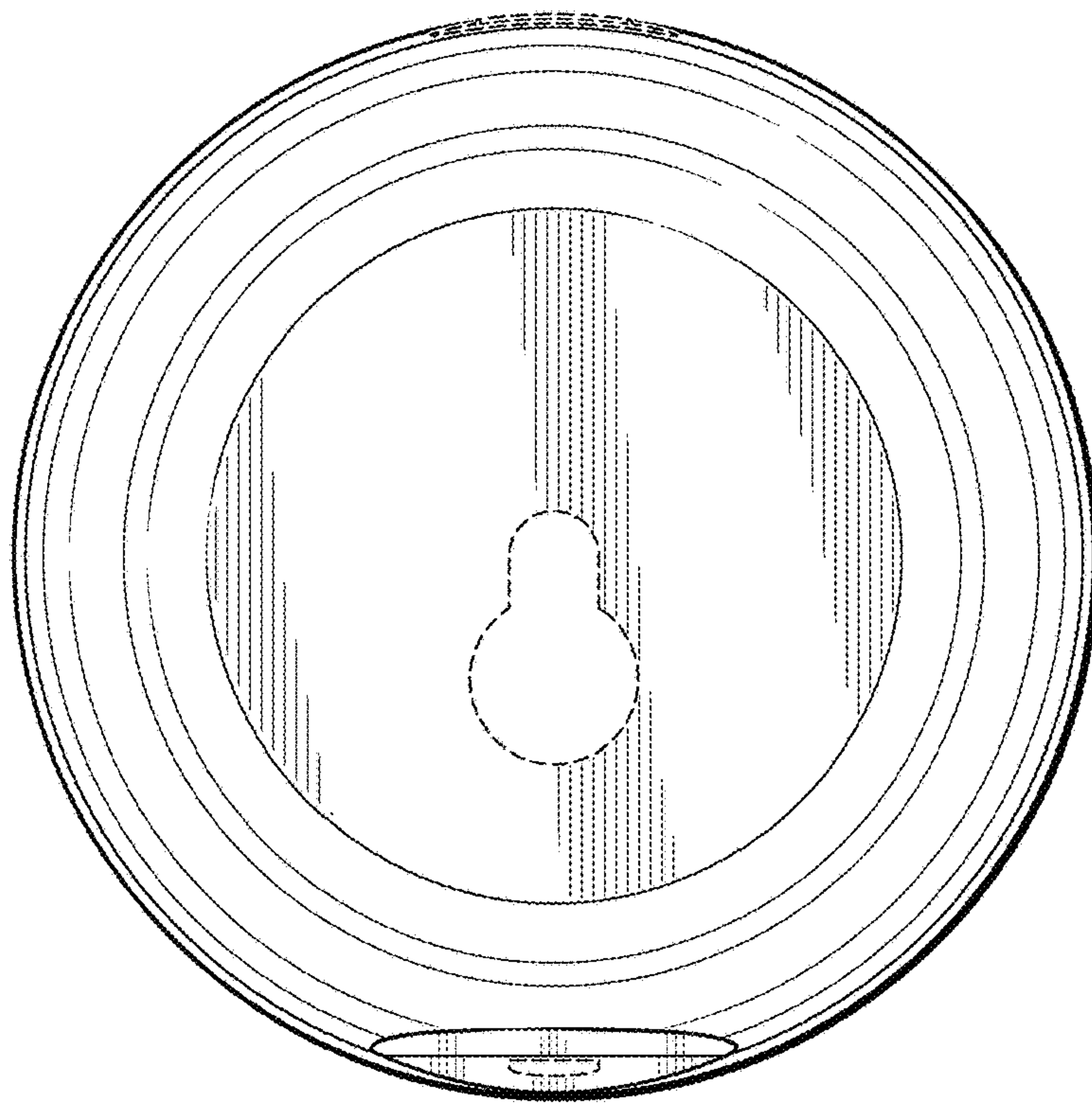


FIG. 4

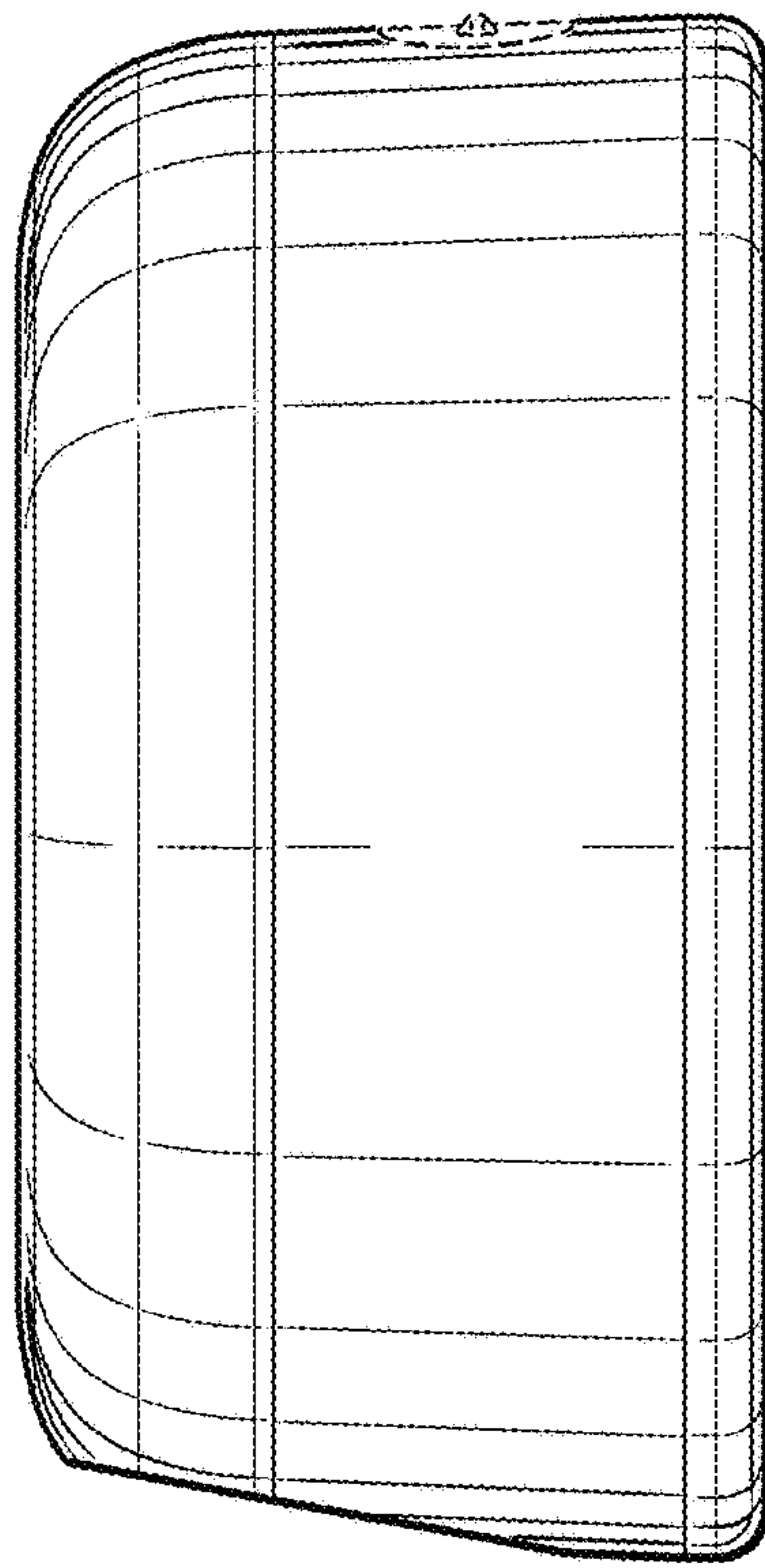


FIG. 5

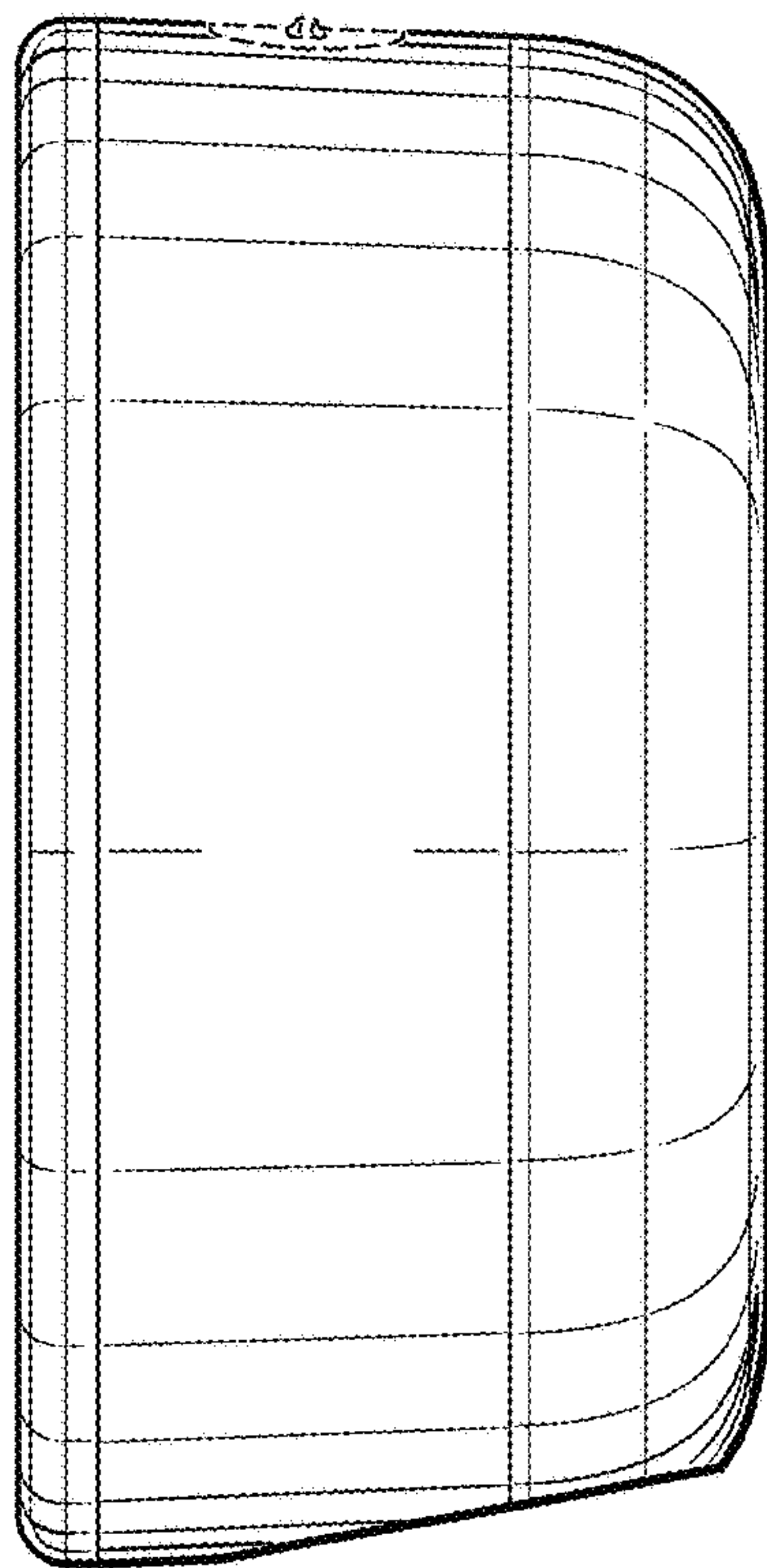


FIG. 6

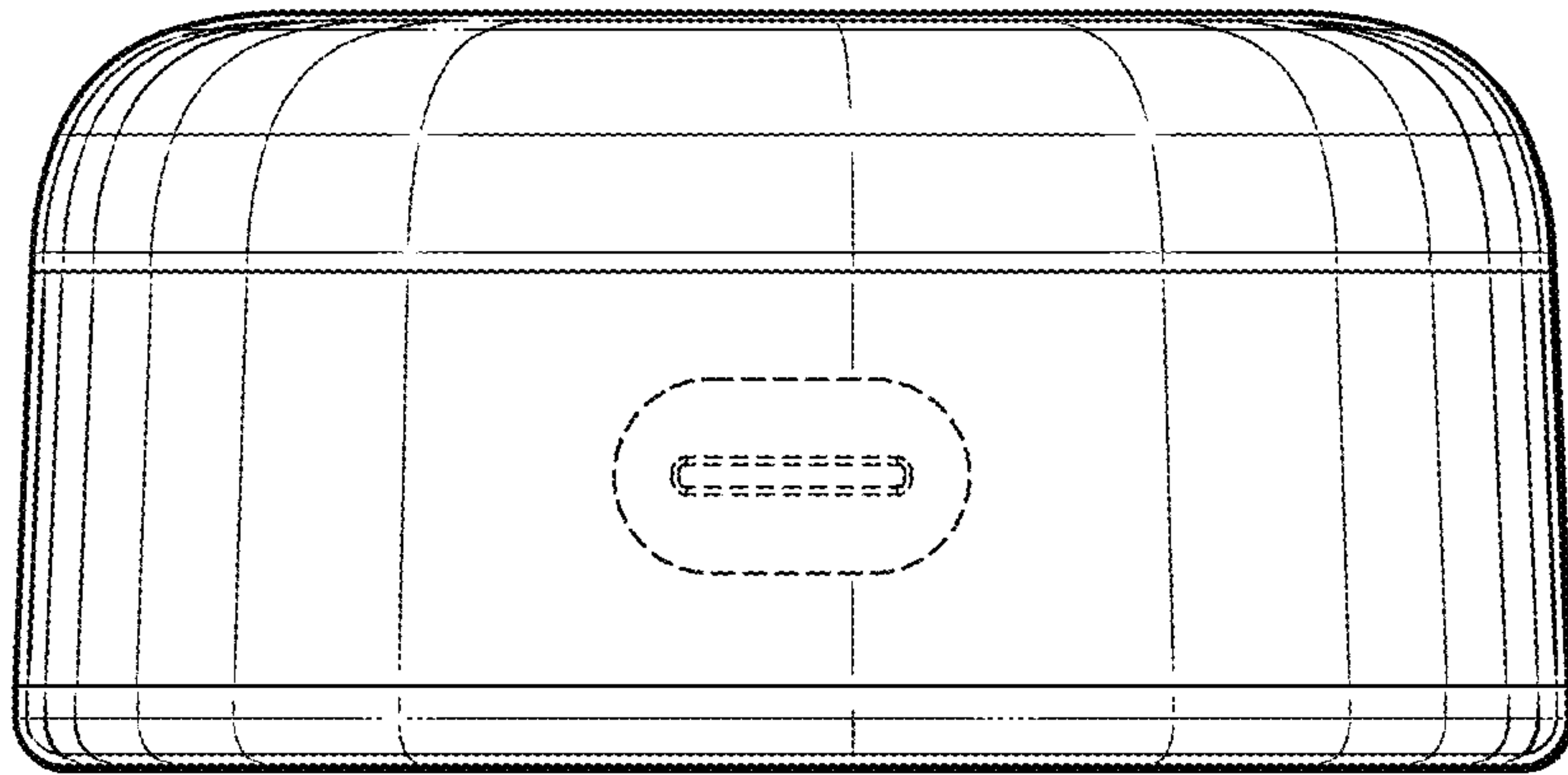


FIG. 7

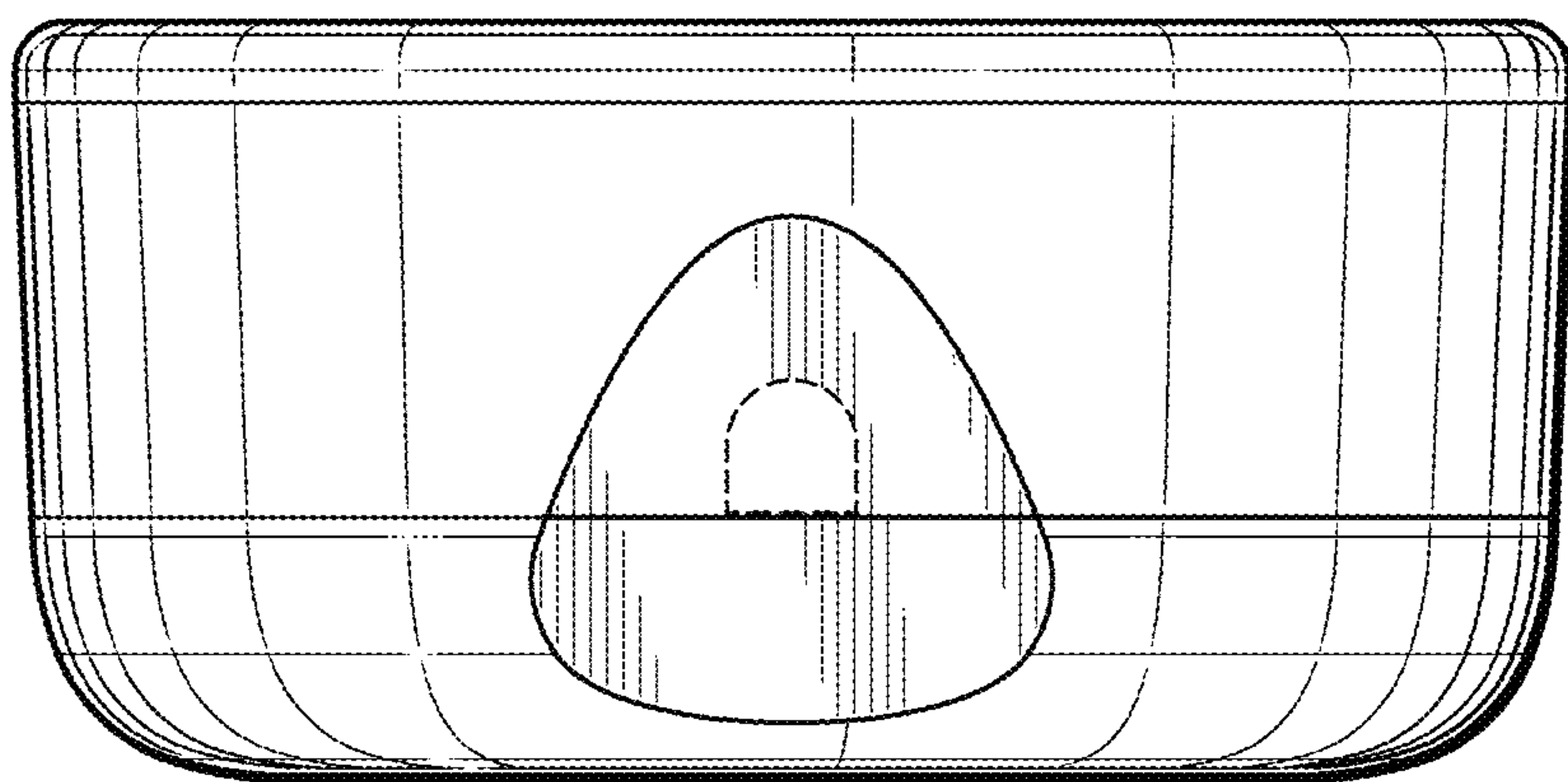


FIG. 8

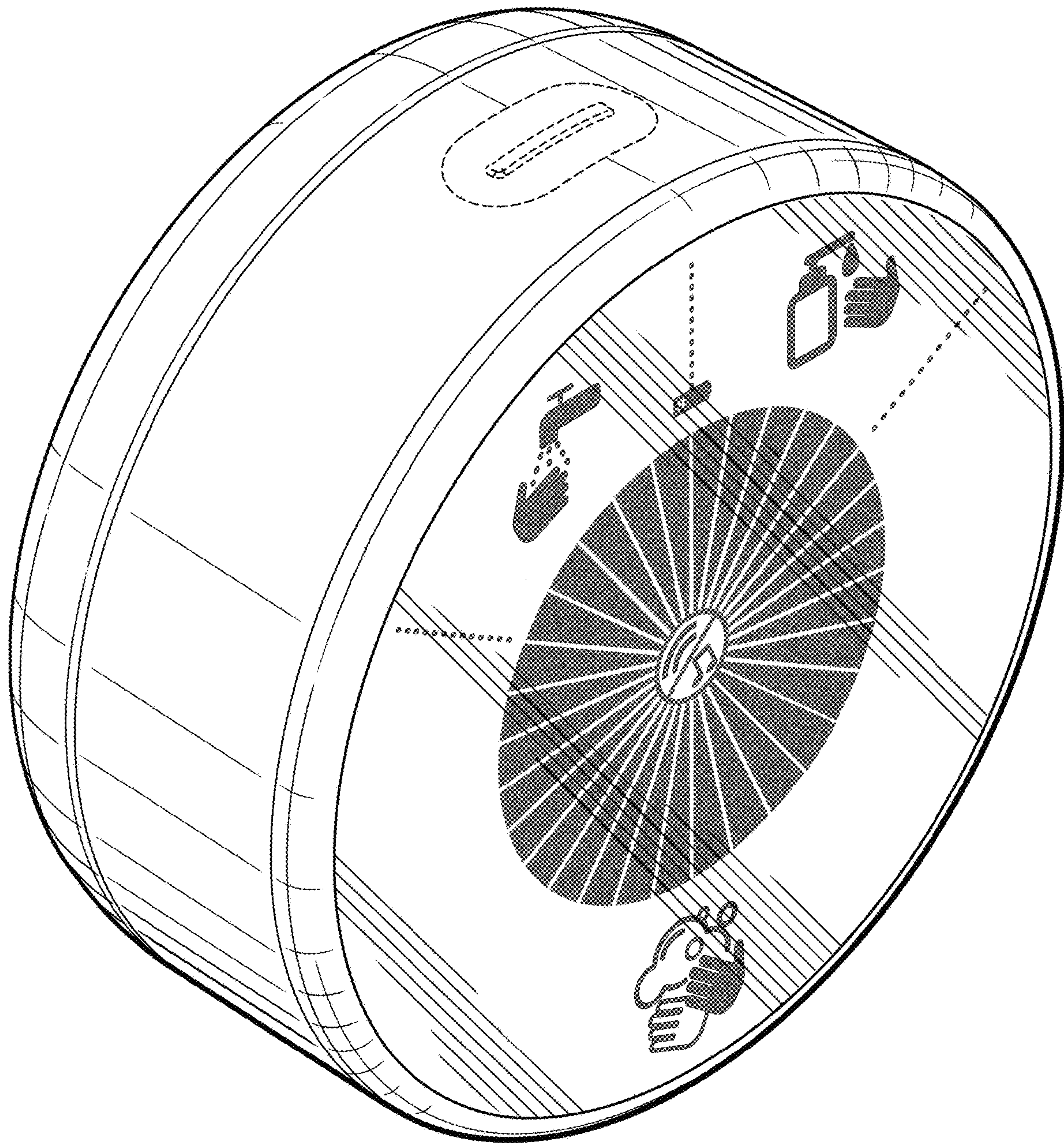


FIG. 9

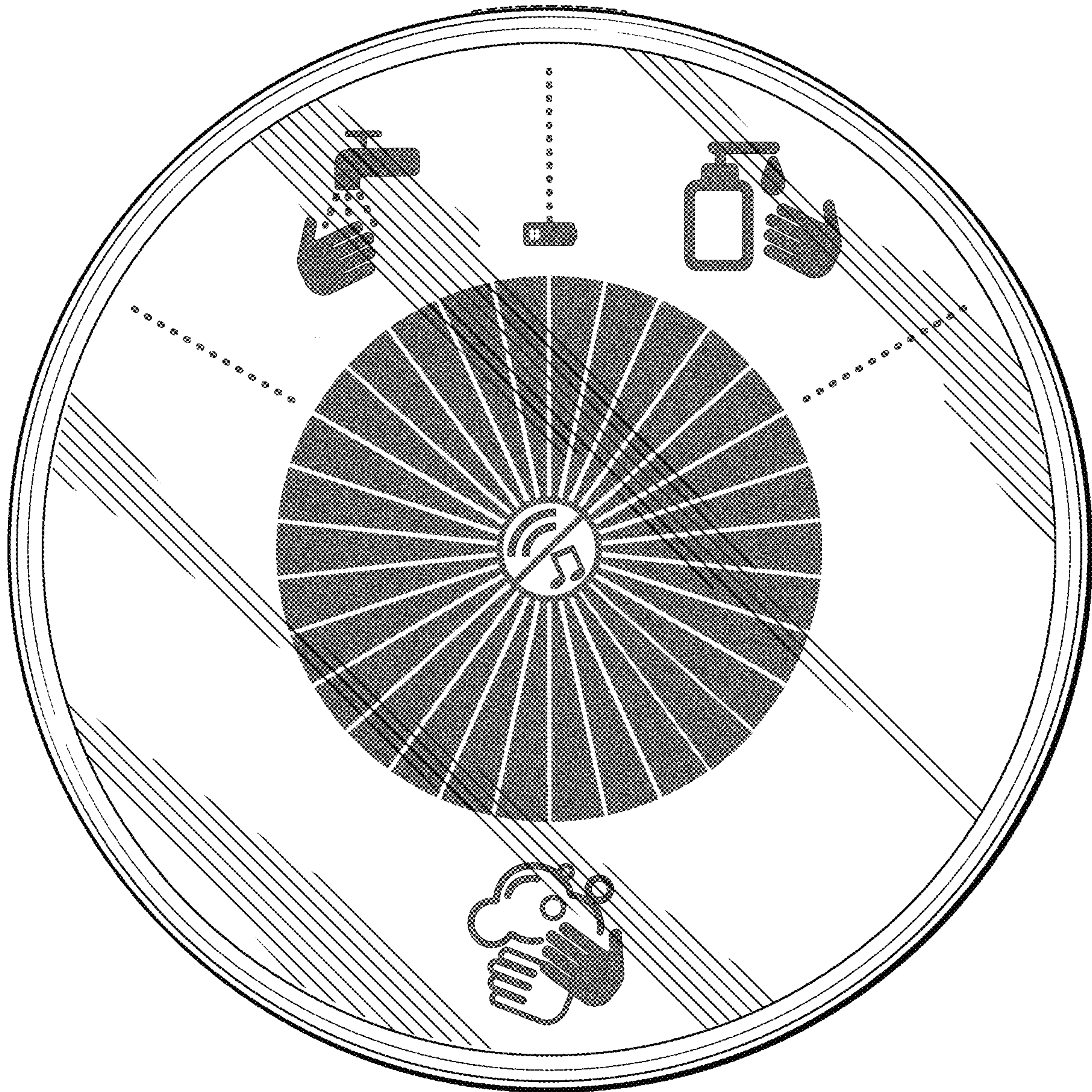


FIG. 10

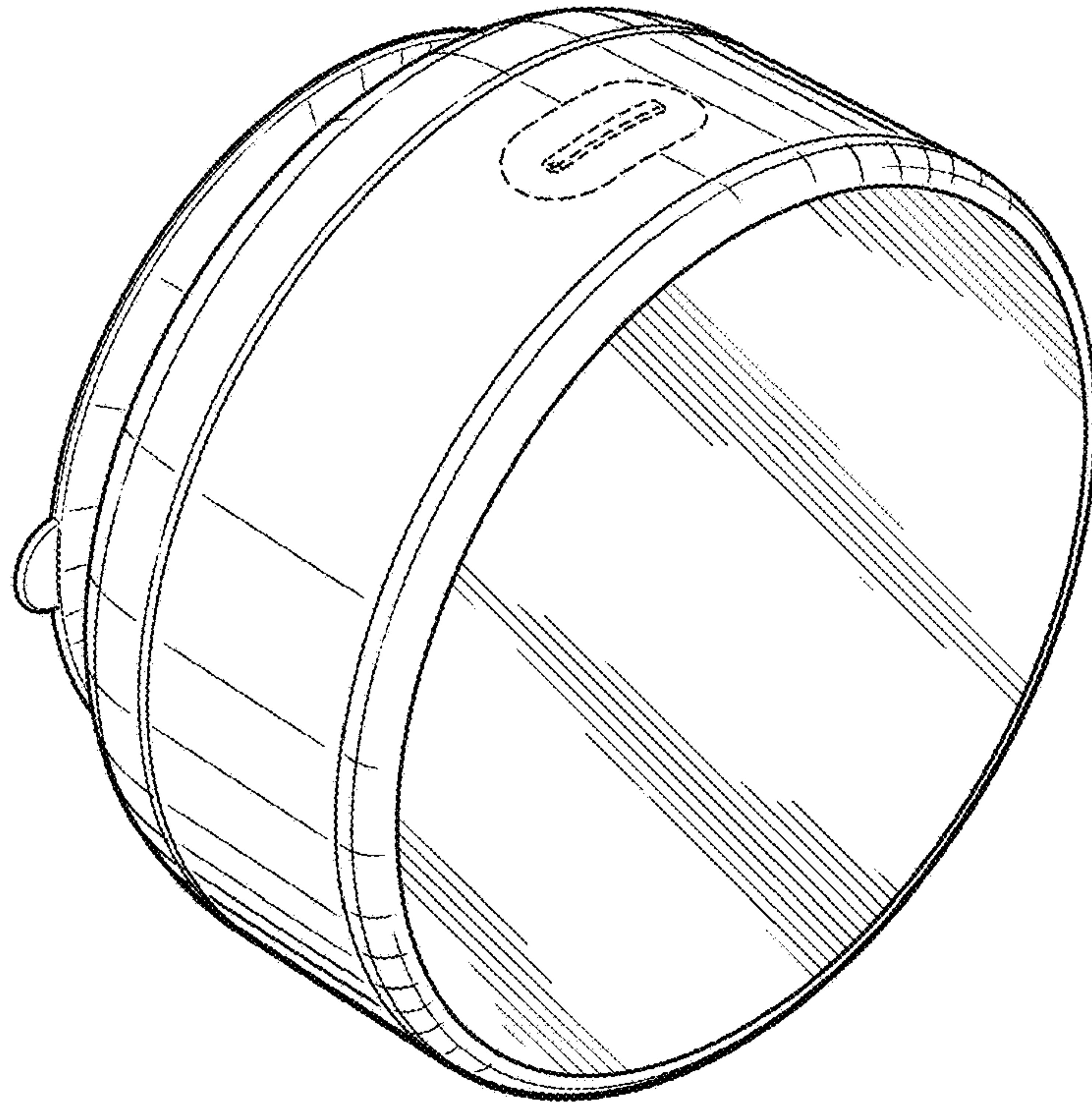


FIG. 11

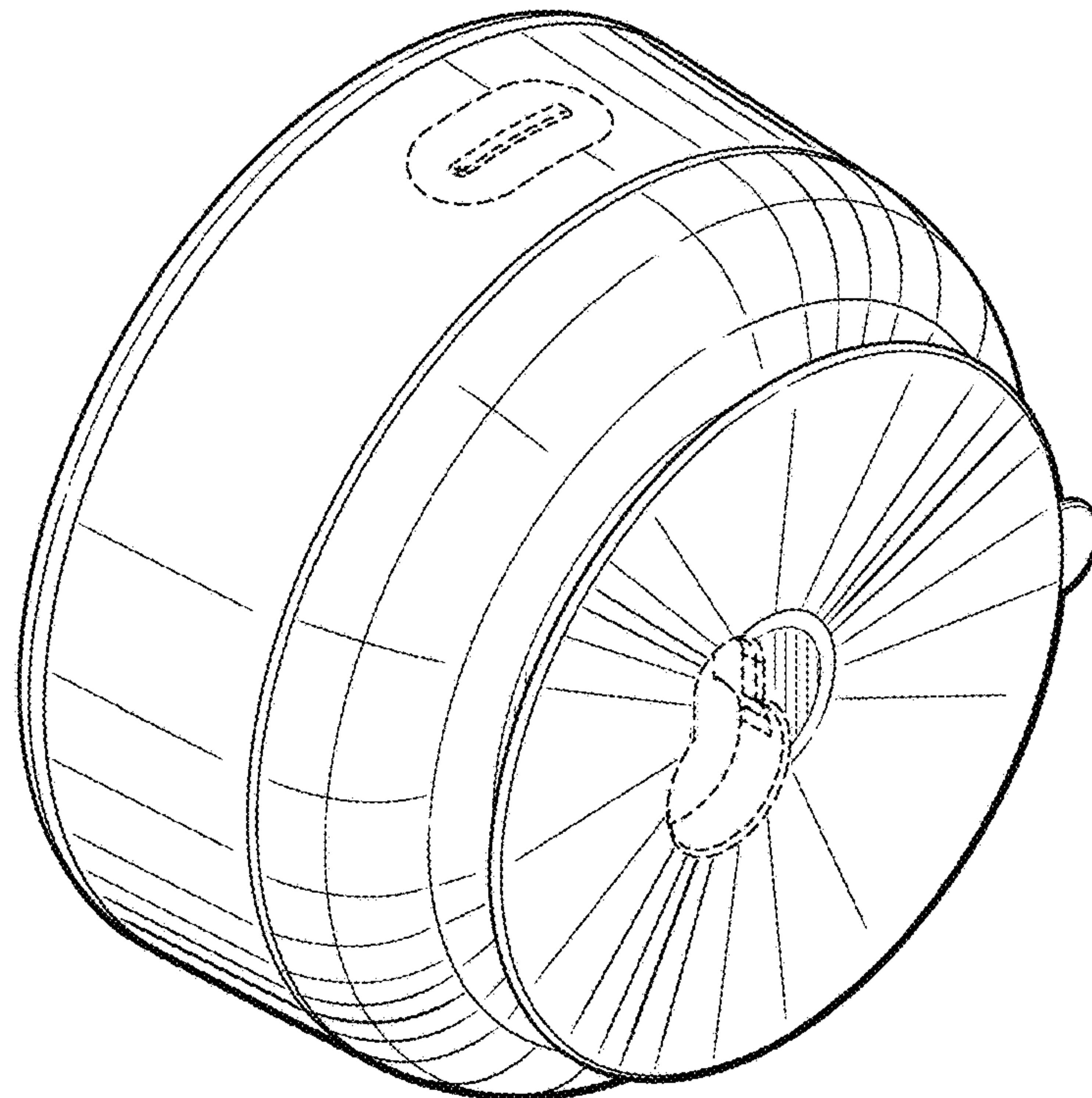


FIG. 12

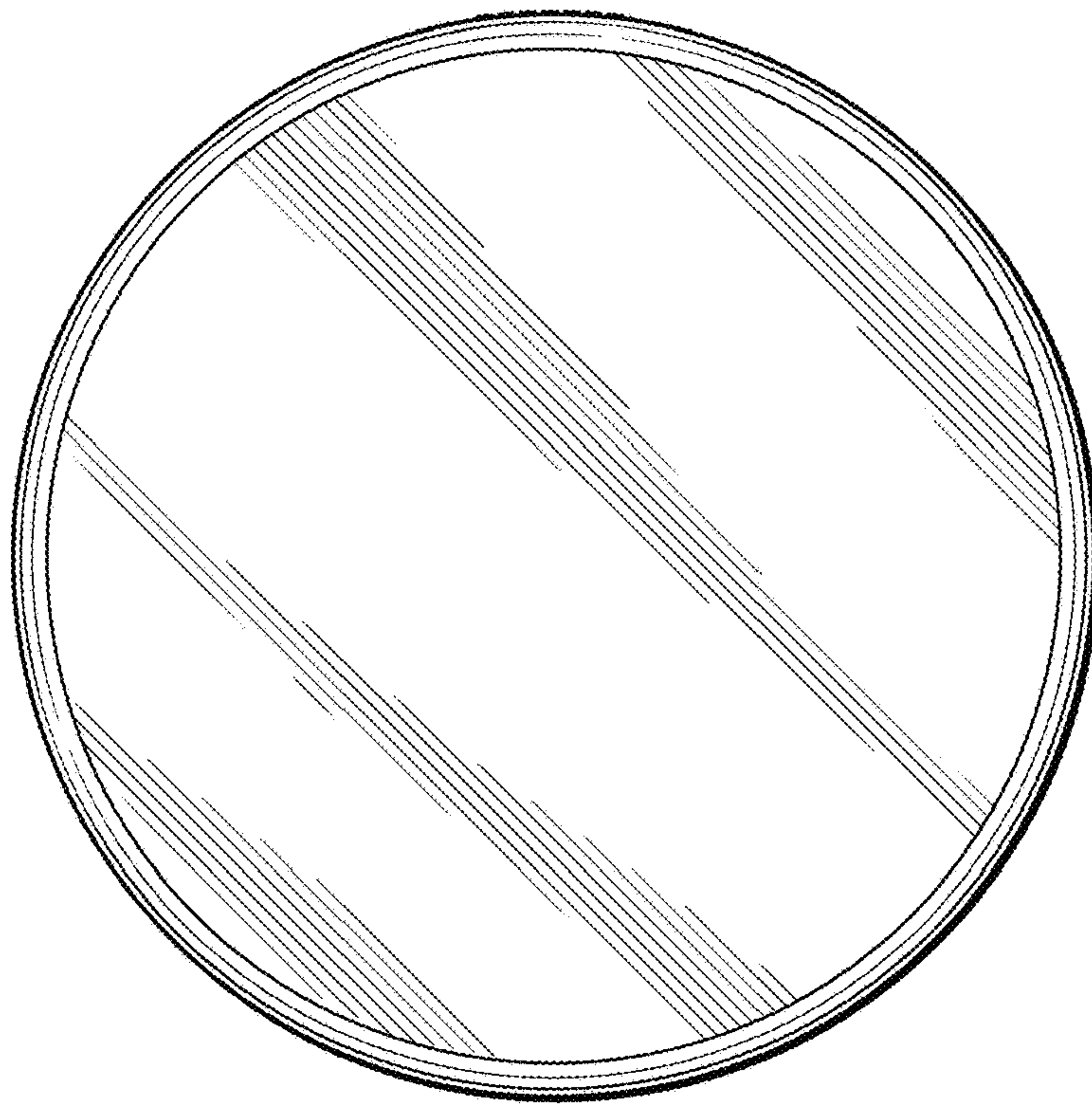


FIG. 13

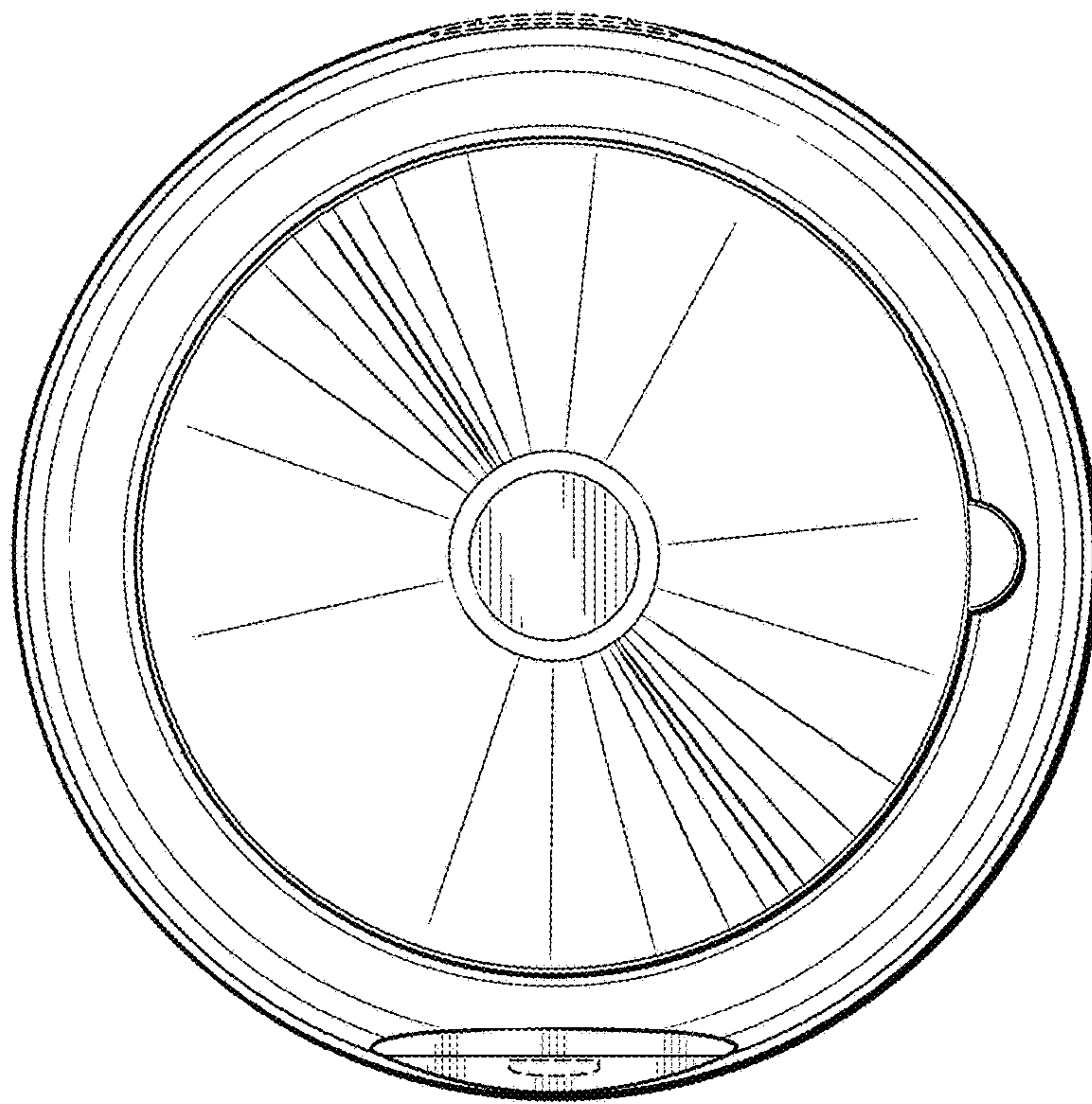


FIG. 14

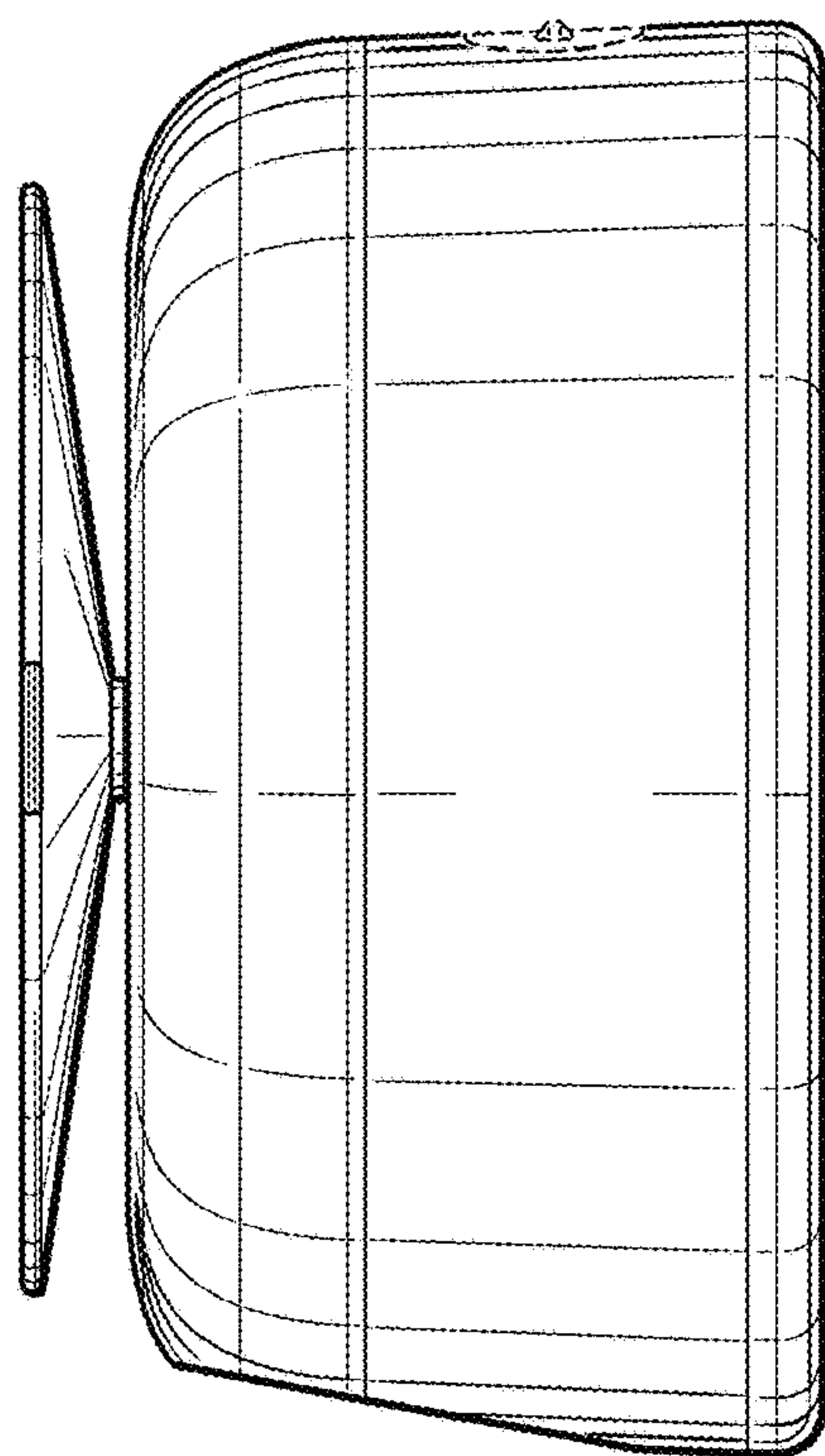


FIG. 15

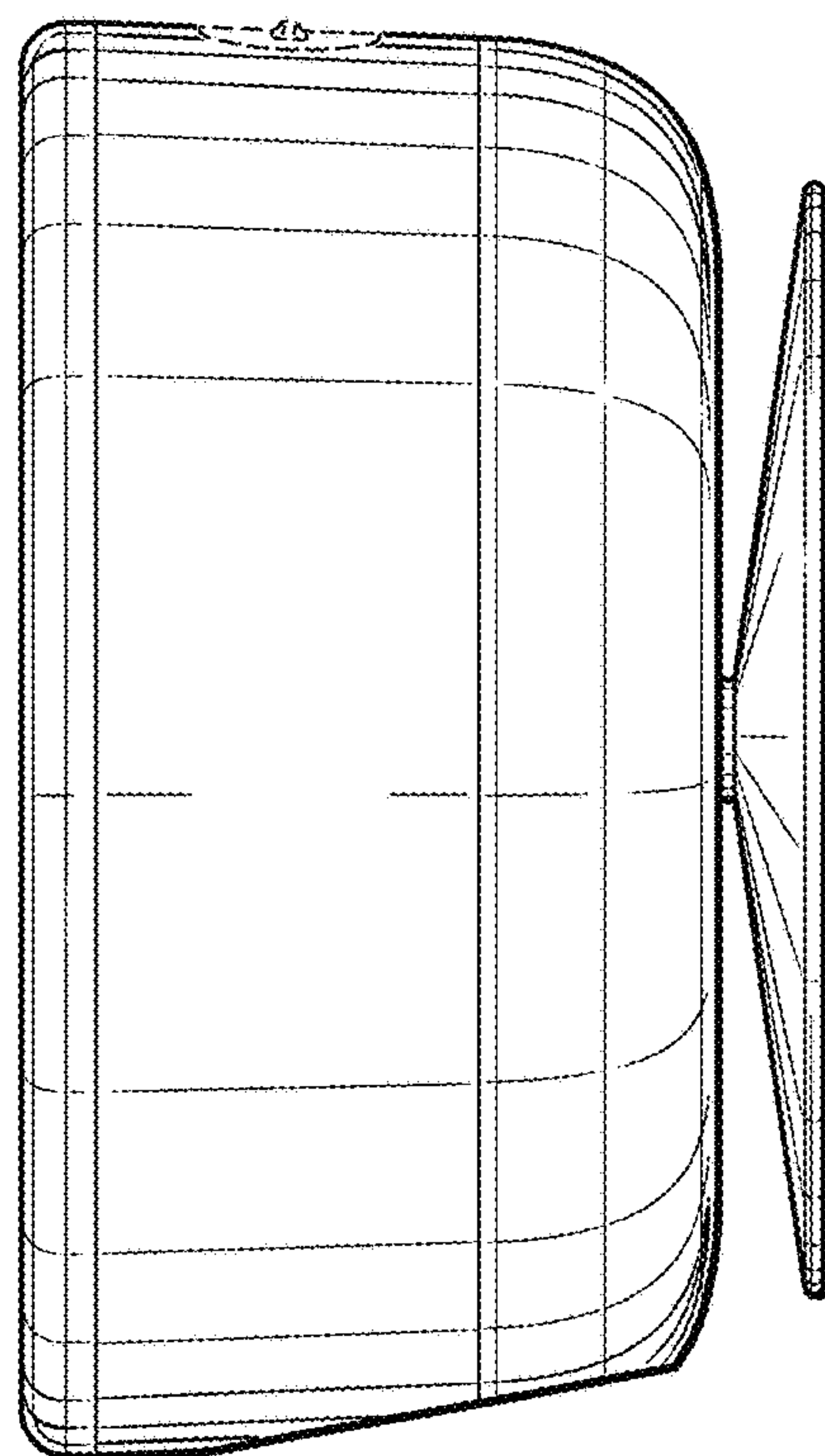


FIG. 16

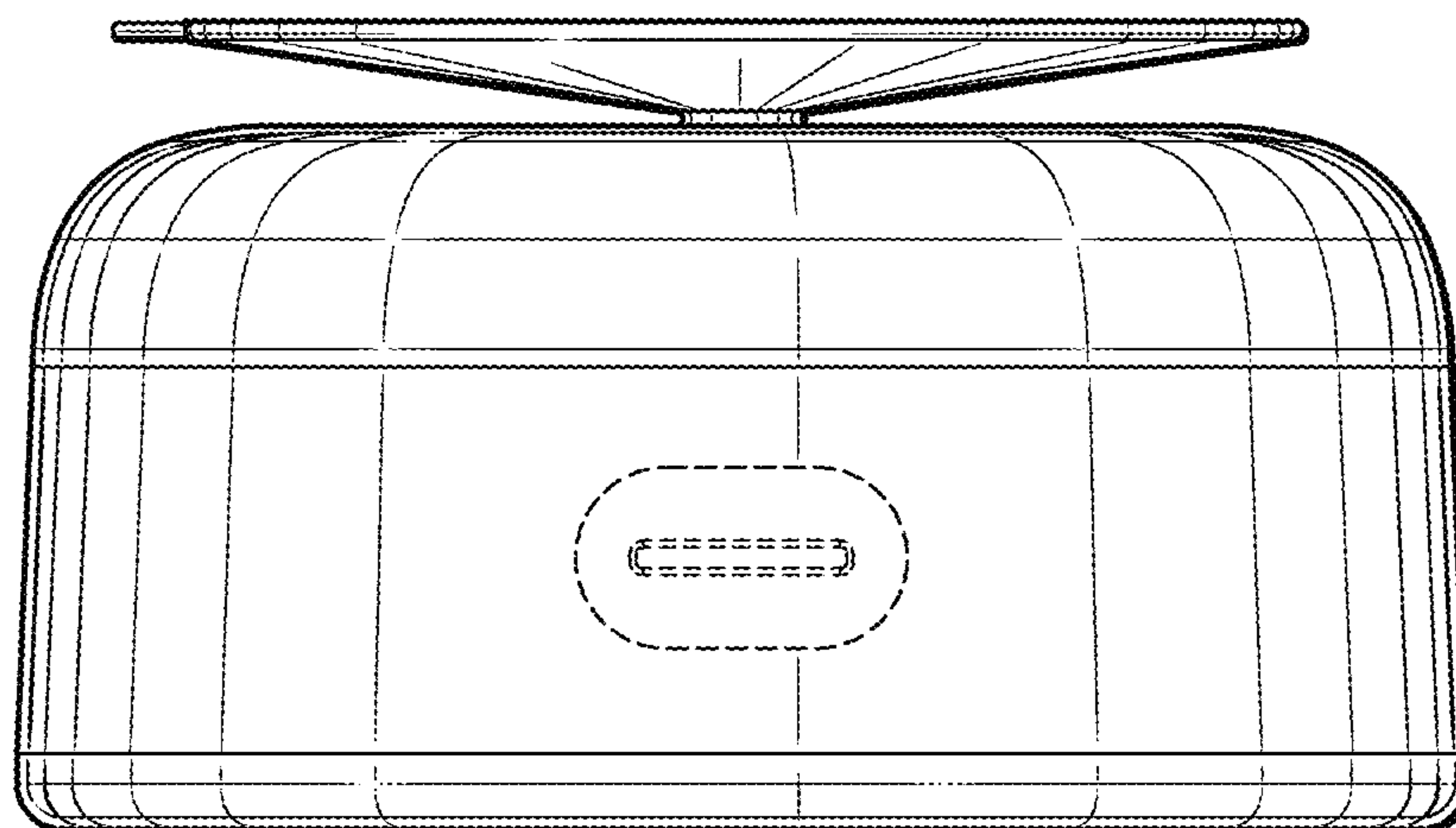


FIG. 17

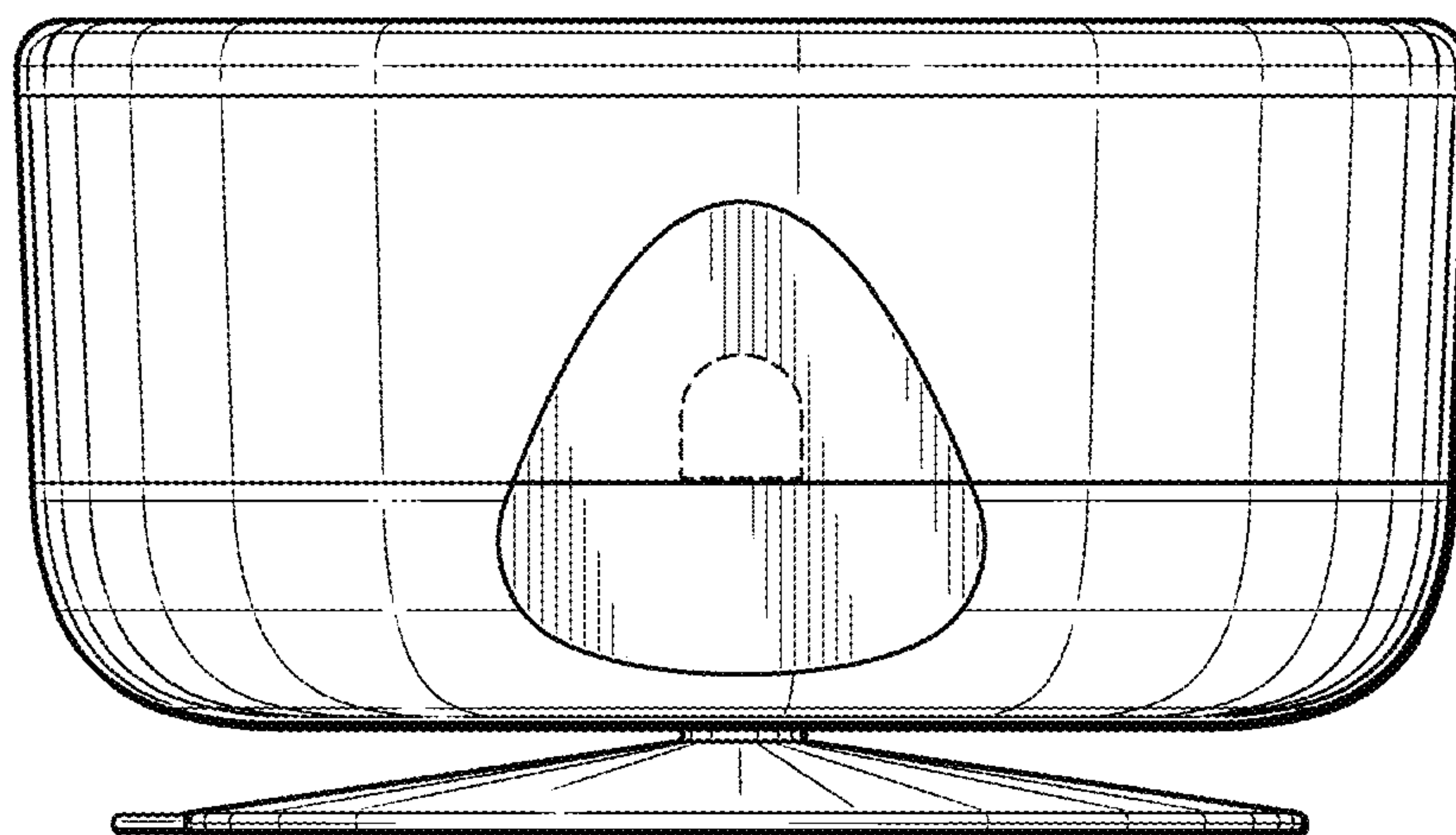


FIG. 18

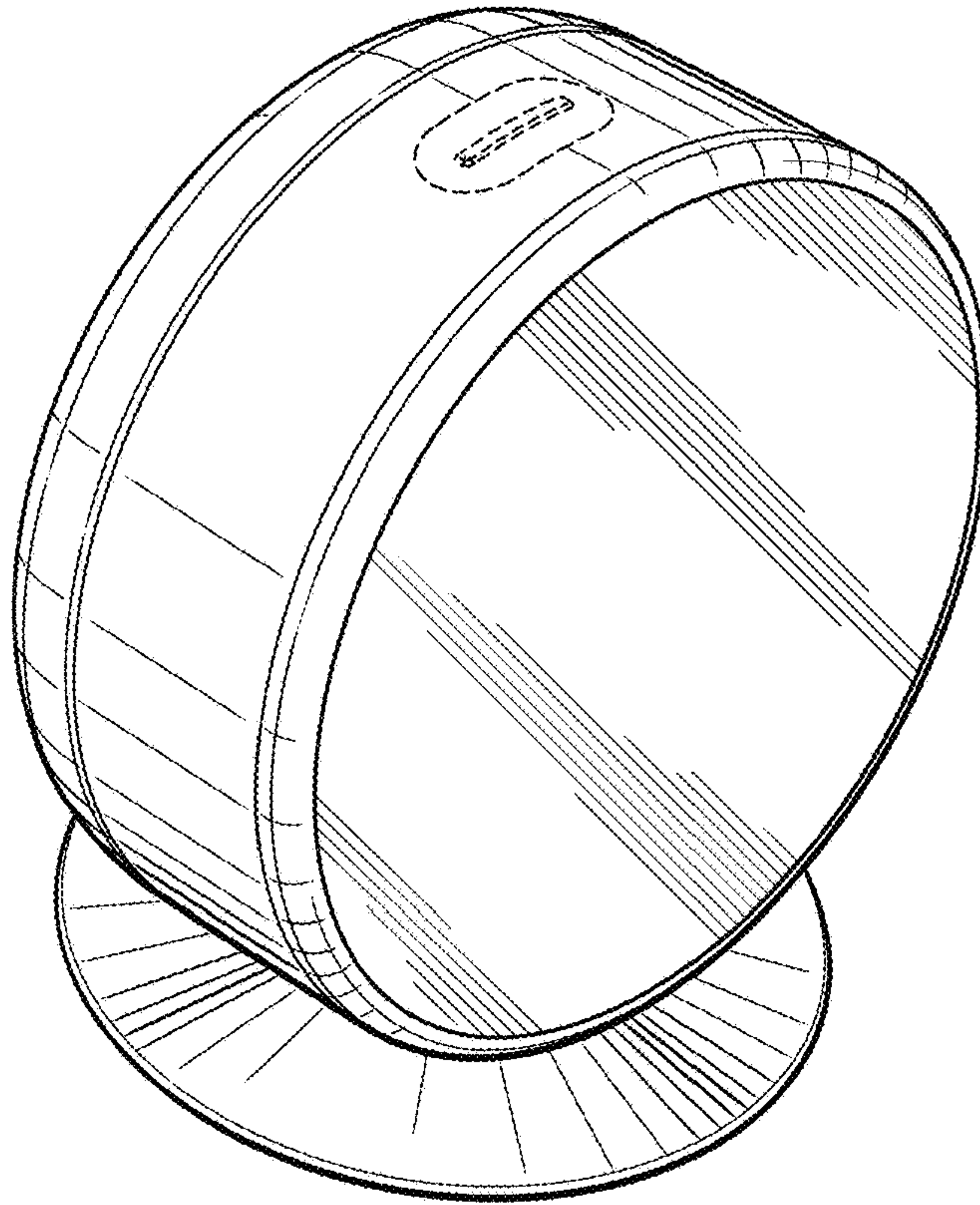


FIG. 19

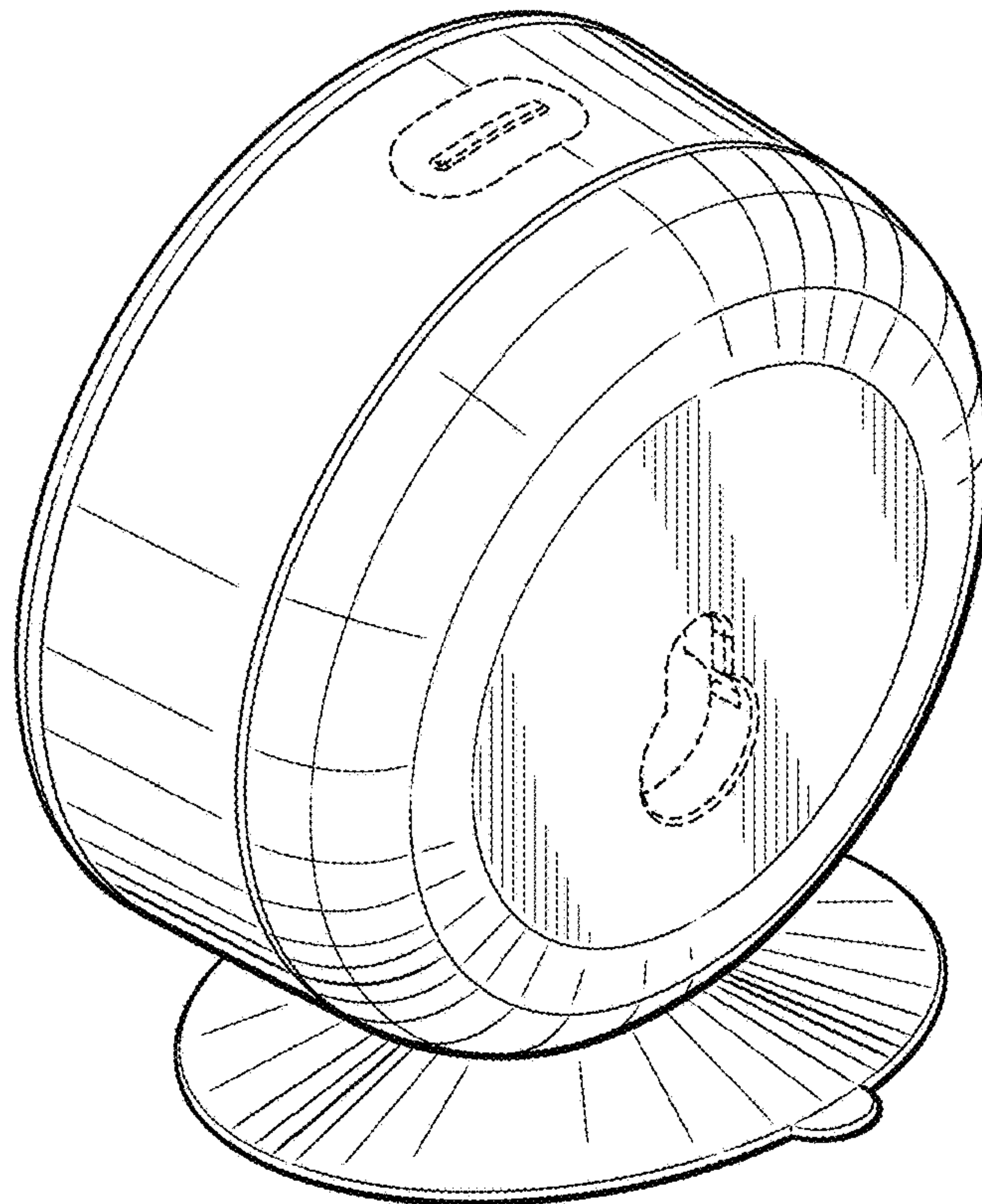


FIG. 20

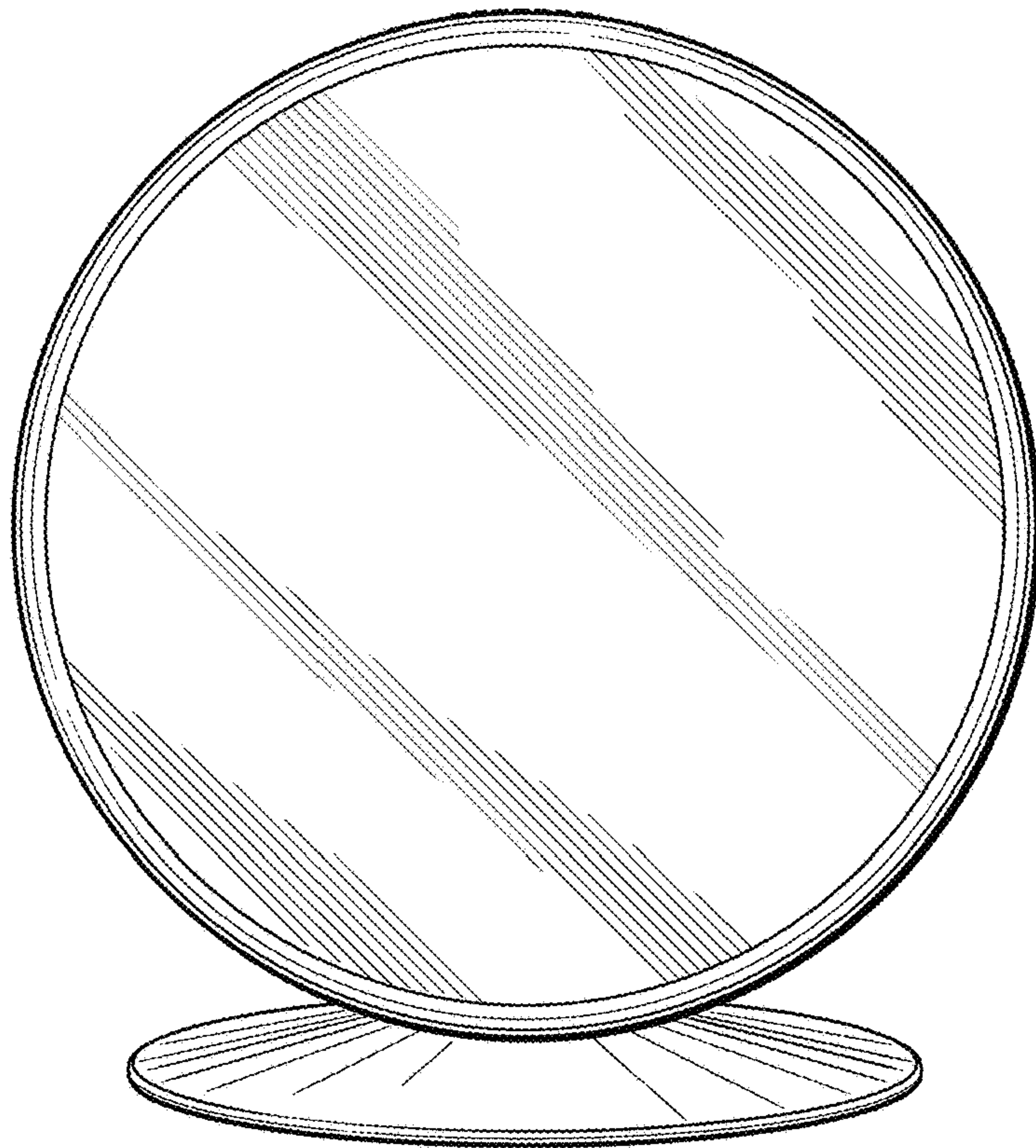


FIG. 21

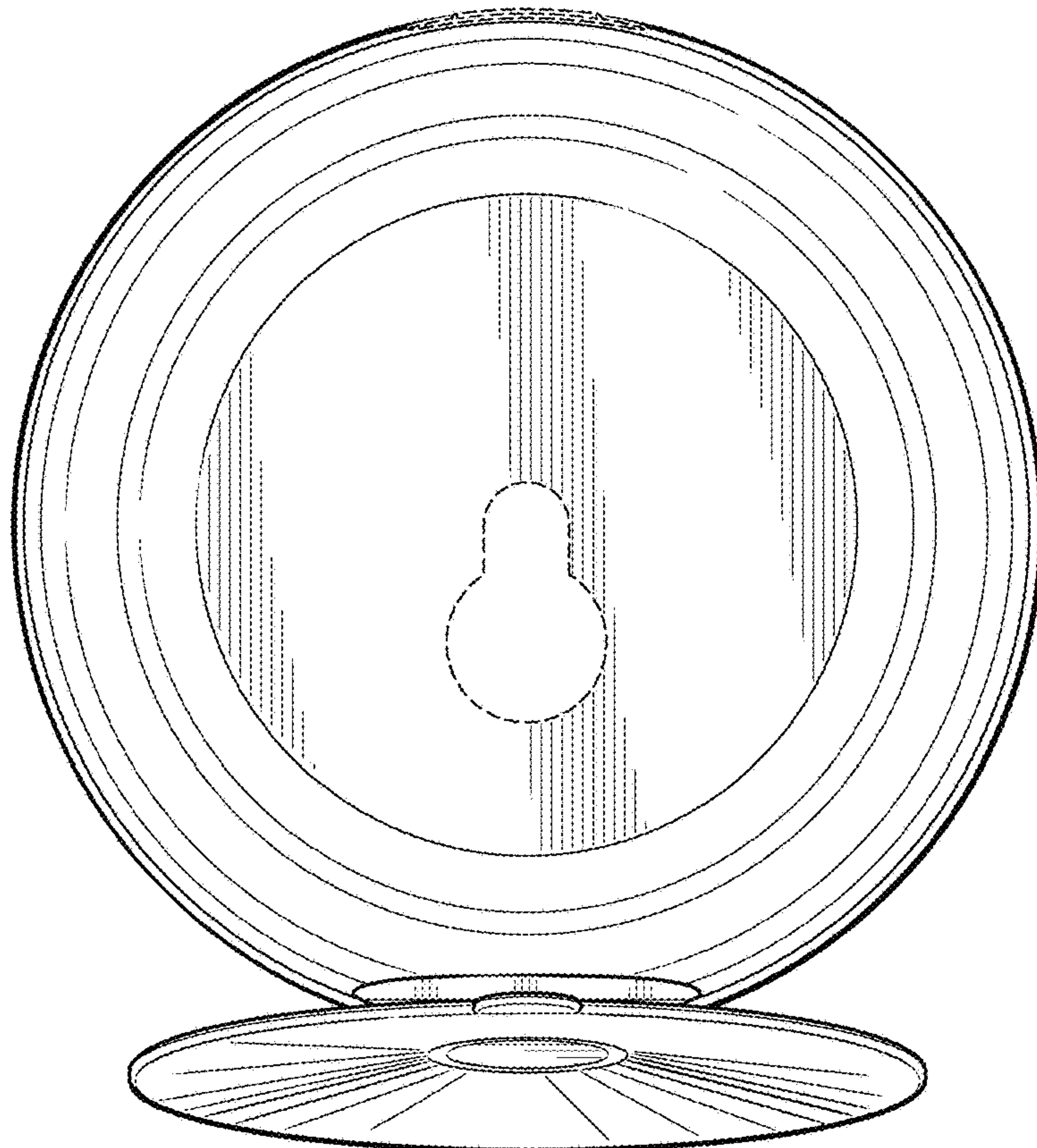


FIG. 22

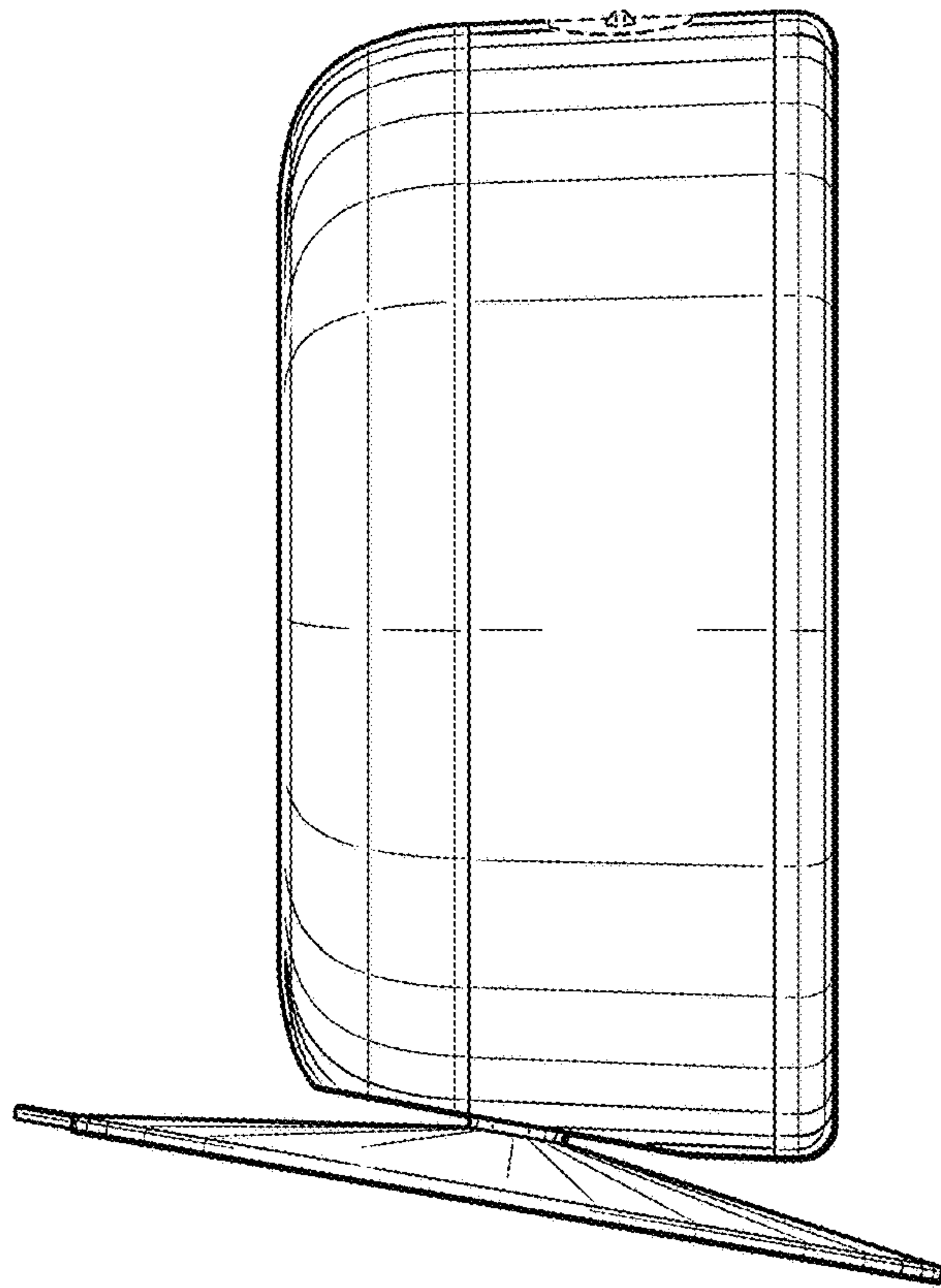


FIG. 23

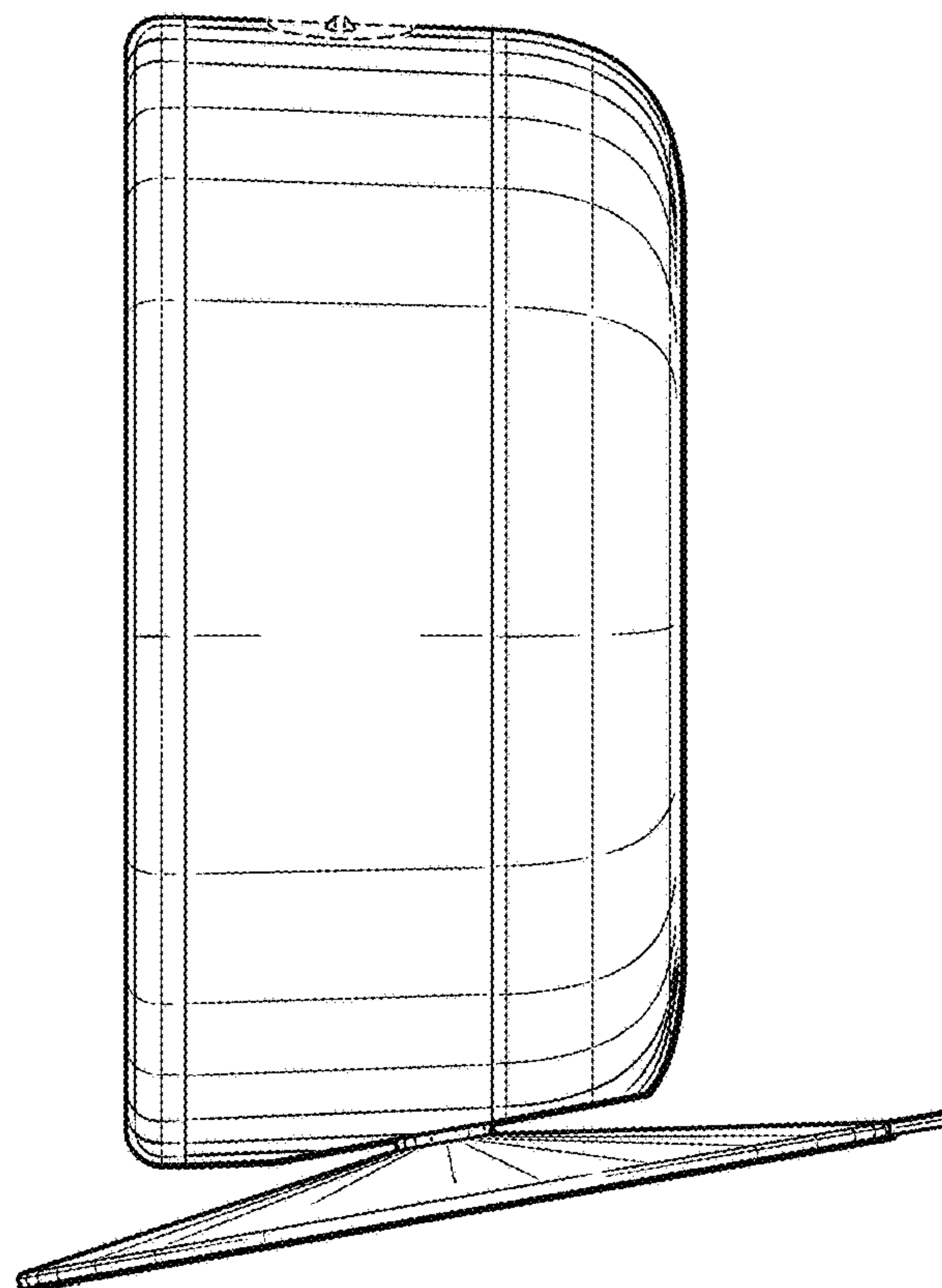


FIG. 24

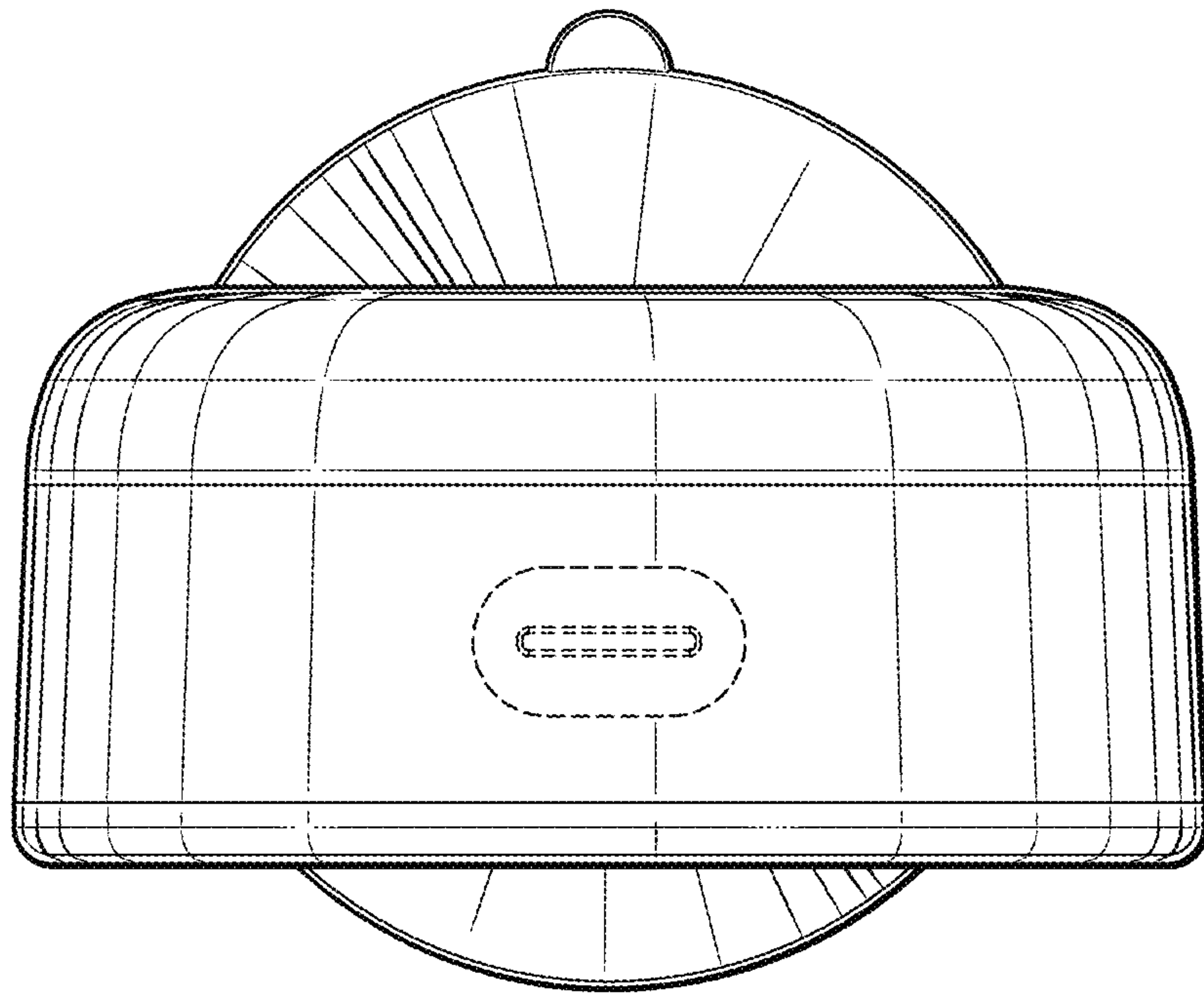


FIG. 25

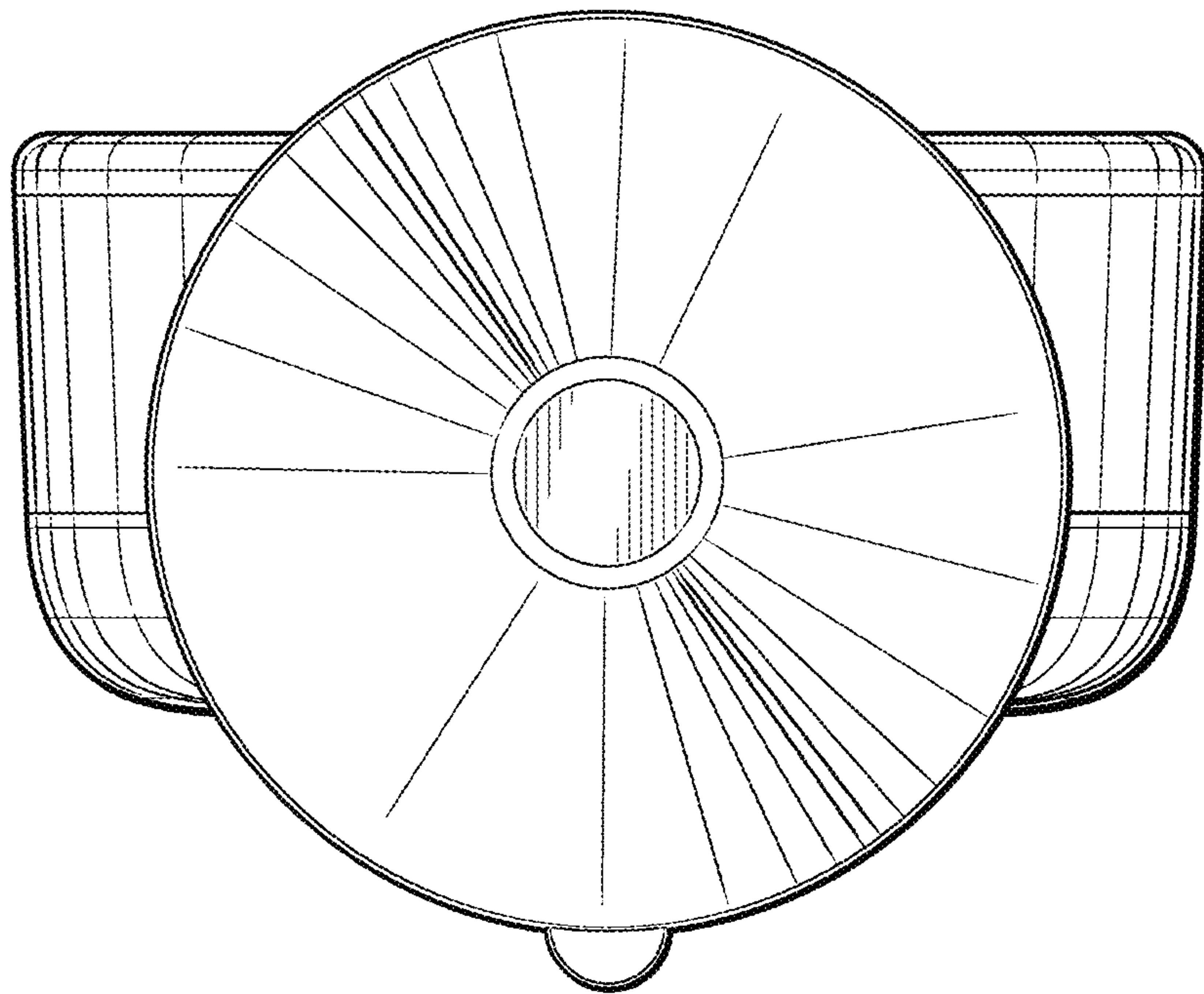


FIG. 26