



US00D938833S

(12) **United States Design Patent**  
**Behling**

(10) **Patent No.: US D938,833 S**

(45) **Date of Patent: \*\* Dec. 21, 2021**

(54) **WATCH CASE**

(56) **References Cited**

(71) Applicant: **LVMH SWISS MANUFACTURES SA, La Chaux-de-Fonds (CH)**

**U.S. PATENT DOCUMENTS**

(72) Inventor: **Christoph Behling, Londres (GB)**

D668,162 S *	10/2012	Inoue .....	D10/39
D701,465 S *	3/2014	Ganz .....	D10/38
D711,750 S *	8/2014	Monachon .....	D10/39
D732,982 S *	6/2015	Monachon .....	D10/38
D781,722 S *	3/2017	Behling .....	D10/38
D799,990 S *	10/2017	Behling .....	D10/38
D800,578 S *	10/2017	Behling .....	D10/30
D848,286 S *	5/2019	Behling .....	D10/32
D849,561 S *	5/2019	Behling .....	D10/30
D850,936 S *	6/2019	Behling .....	D10/32

(\*\*) Term: **15 Years**

(21) Appl. No.: **35/510,131**

(22) Filed: **Mar. 24, 2020**

\* cited by examiner

(80) **Hague Agreement Data**

Int. Filing Date: **Mar. 24, 2020**

Int. Reg. No.: **DM/209754**

Int. Reg. Date: **Mar. 24, 2020**

Int. Reg. Pub. Date: **Aug. 21, 2020**

*Primary Examiner* — George D. Kirschbaum

(57) **CLAIM**

The ornamental design for watch case, as shown and described.

(30) **Foreign Application Priority Data**

Dec. 20, 2019 (WO) ..... WIPO90574

(51) **LOC (13) Cl.** ..... **10-02**

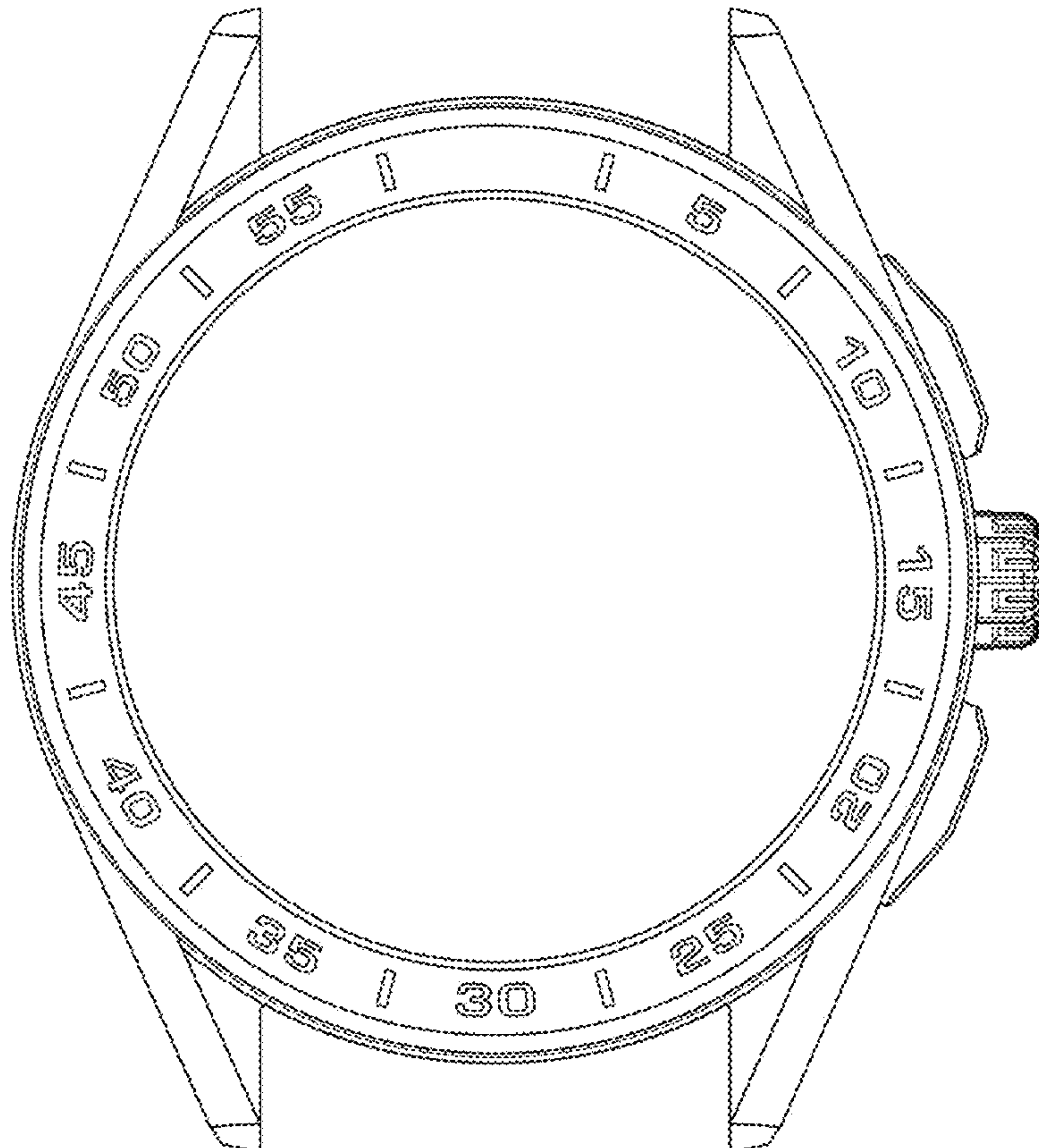
(52) **U.S. Cl.**  
USPC ..... **D10/38**

(58) **Field of Classification Search**  
USPC ..... D10/128-130, 124, 126, 38, 32, 39  
CPC ..... G04B 11/008; B29C 45/1657  
See application file for complete search history.

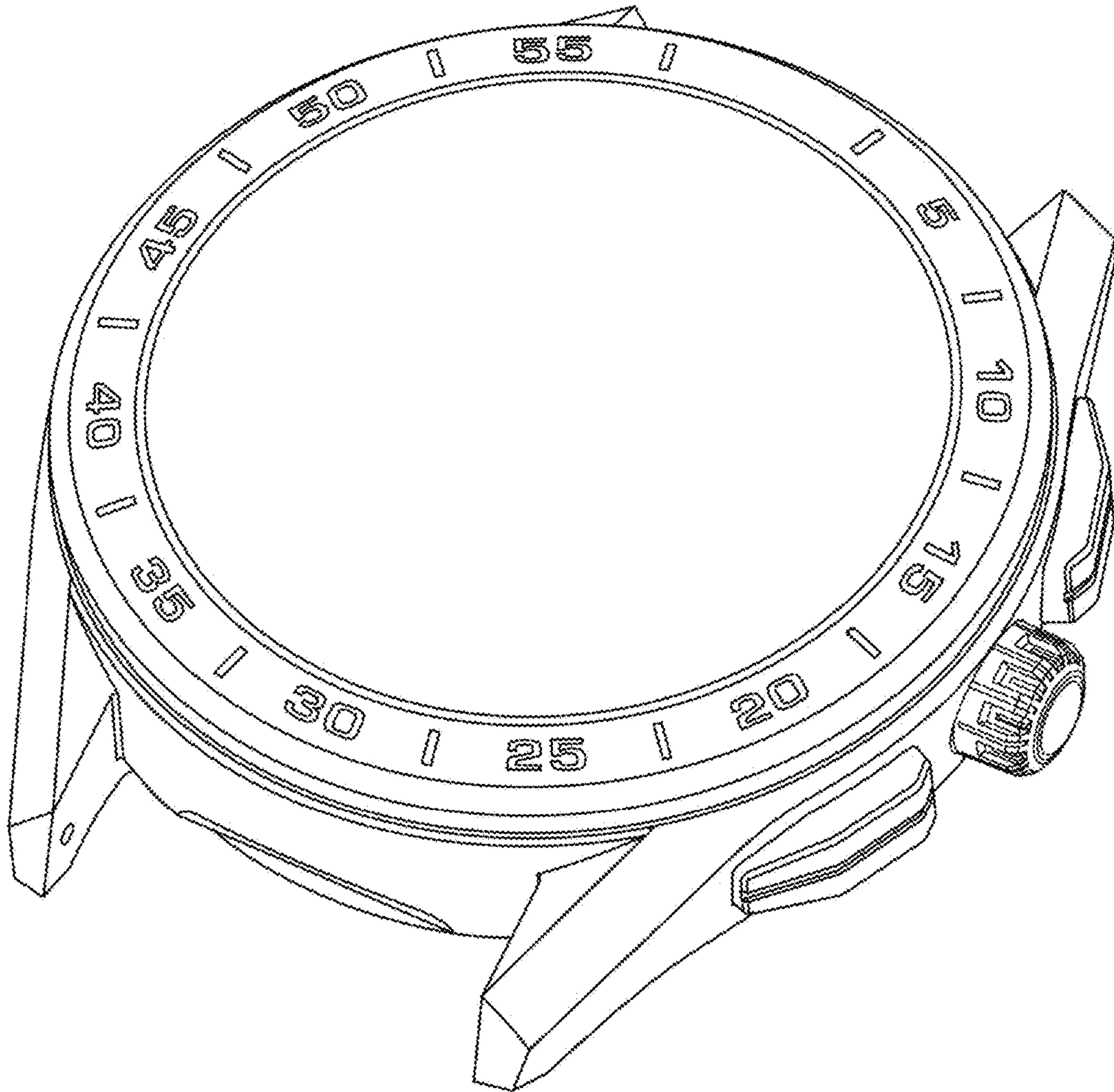
**DESCRIPTION**

- 1. Watch case
- 1.1 : Perspective
- 1.2 : Top
- 1.3 : Bottom
- 1.4 : Back
- 1.5 : Front
- 1.6 : Left
- 1.7 : Right

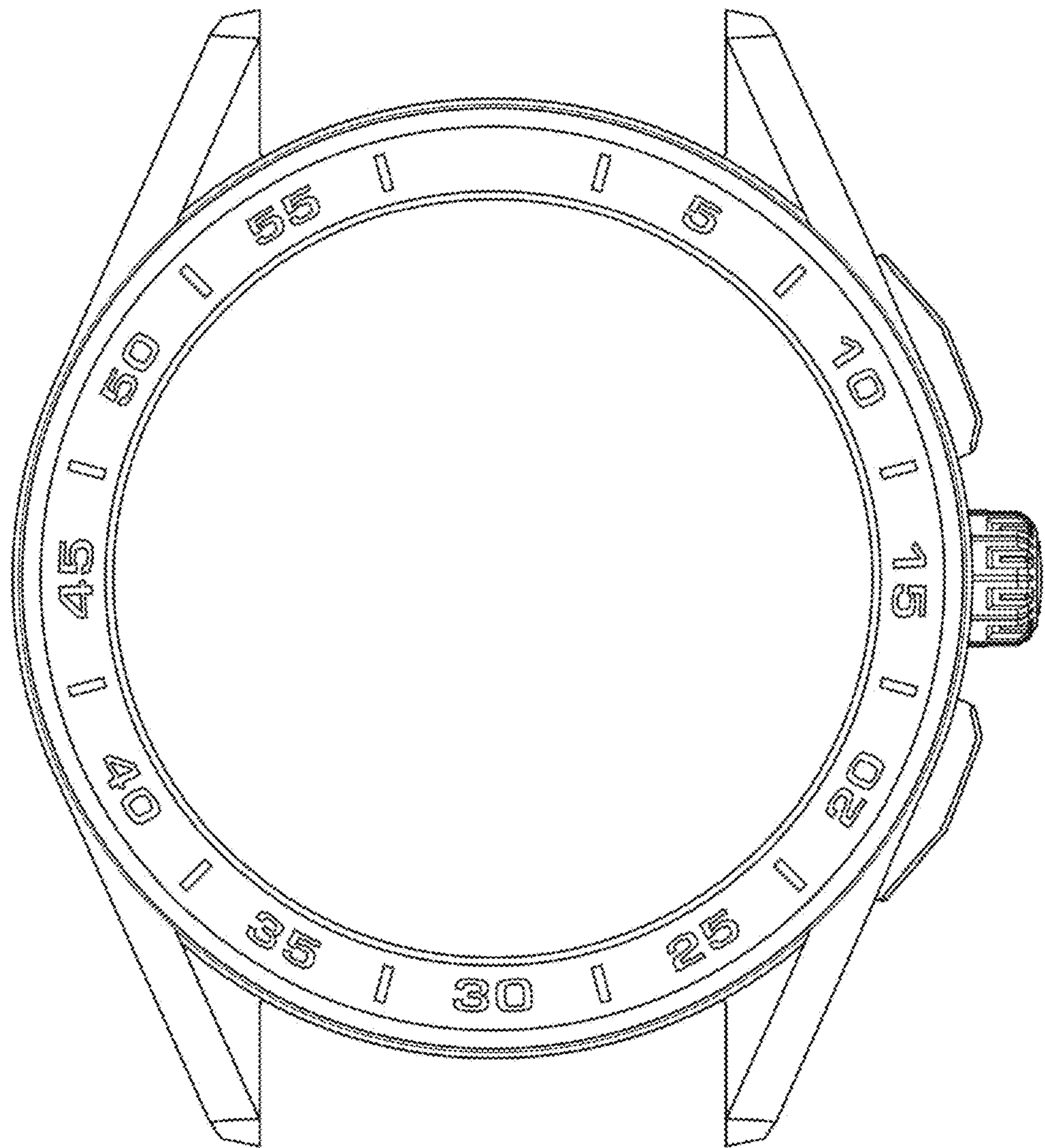
**1 Claim, 7 Drawing Sheets**



1.1

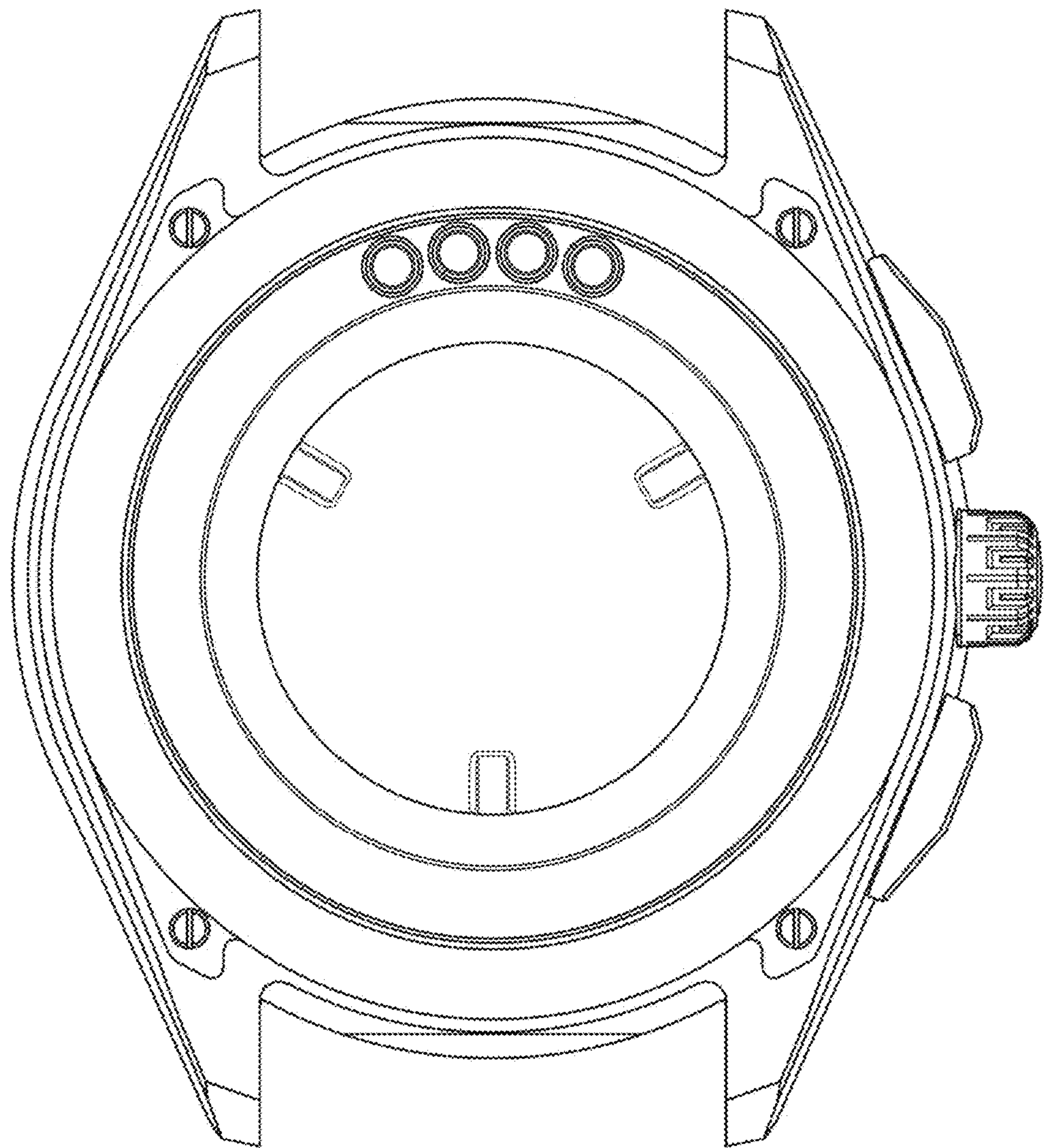


1.2

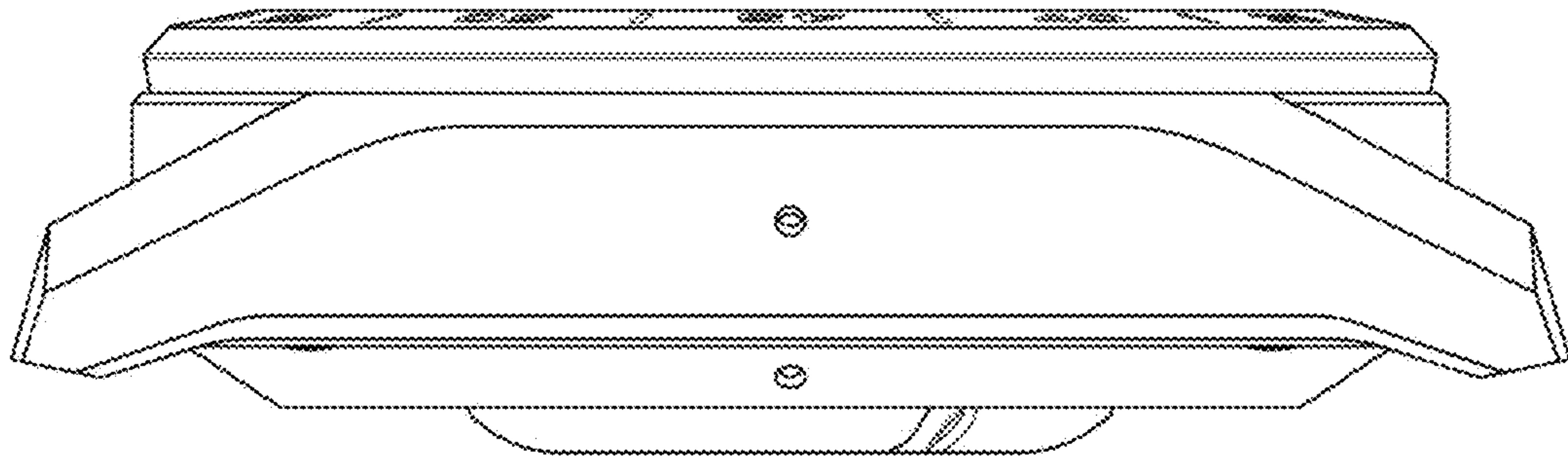




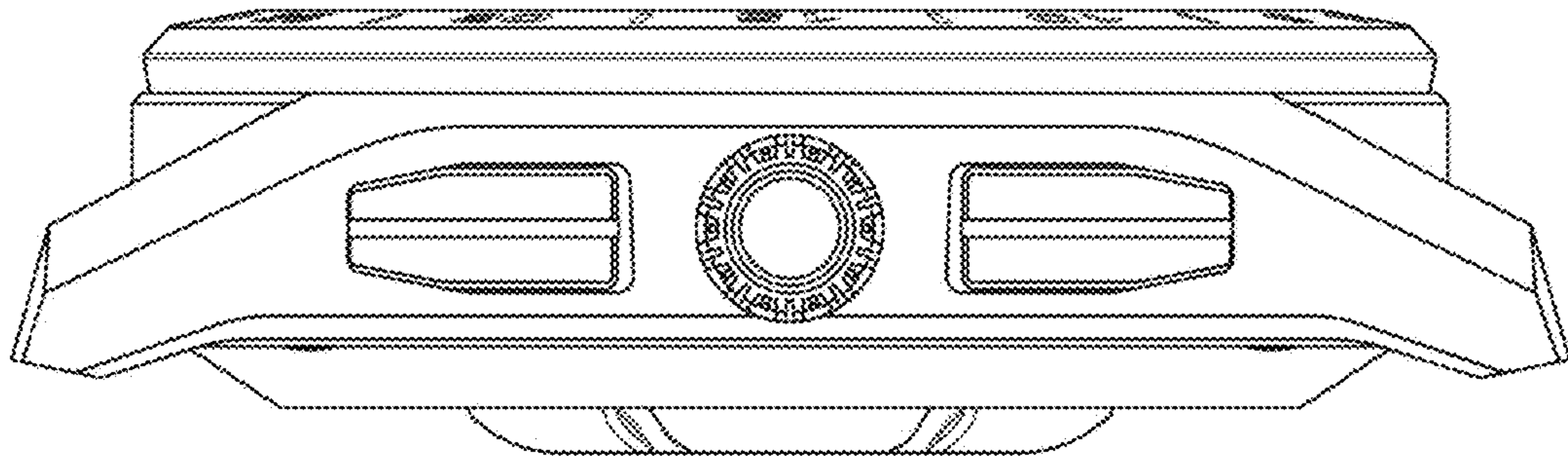
1.3



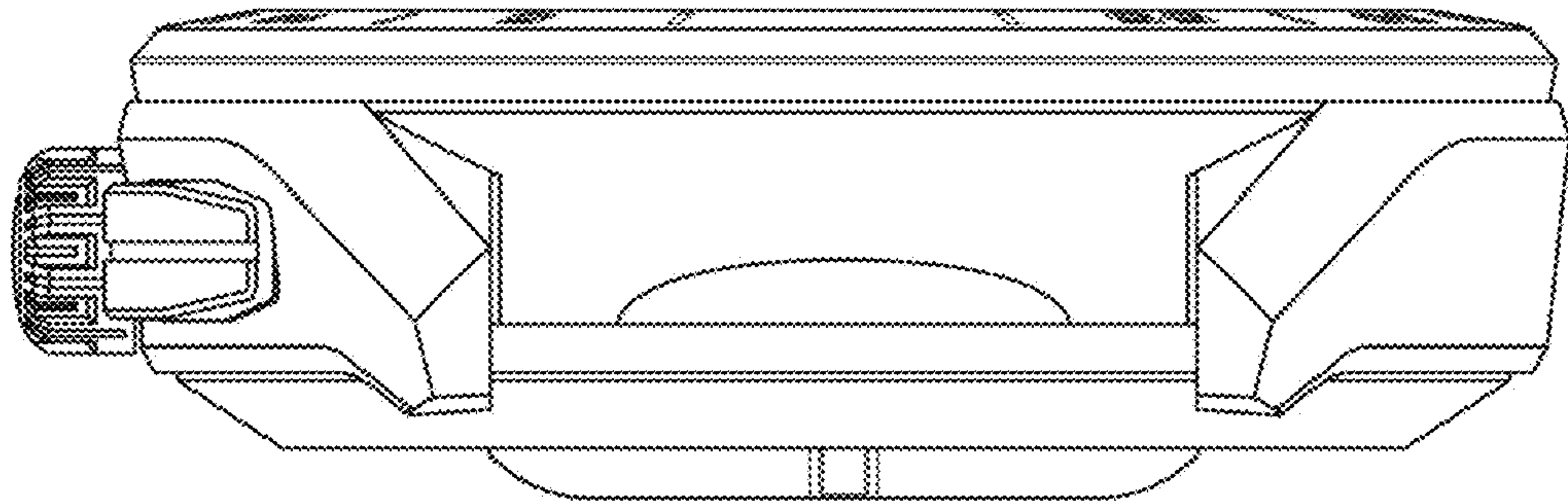
1.4



1.5



1.6



1.7

