



US00D938832S

(12) **United States Design Patent** (10) **Patent No.:** **US D938,832 S**
Berneron (45) **Date of Patent:** **** Dec. 21, 2021**

(54) **WATCH CASE**
 (71) Applicant: **BREITLING SA**, Grenchen (CH)
 (72) Inventor: **Sylvain Berneron**, Hauterive (CH)
 (**) Term: **15 Years**

D379,773 S * 6/1997 Paredes D10/128
 D445,343 S * 7/2001 Schneider D10/30
 D868,597 S * 12/2019 Behling D10/30
 D902,766 S * 11/2020 Torres D10/128
 D902,767 S * 11/2020 Torres D10/38
 D920,810 S * 6/2021 Engelbrecht D10/30

* cited by examiner

(21) Appl. No.: **35/510,673**
 (22) Filed: **Oct. 16, 2020**

Primary Examiner — George D. Kirschbaum

(80) **Hague Agreement Data**

Int. Filing Date: **Oct. 16, 2020**
 Int. Reg. No.: **DM/210825**
 Int. Reg. Date: **Oct. 16, 2020**
 Int. Reg. Pub. Date: **Oct. 30, 2020**

(57) **CLAIM**

The ornamental design for a watch case, as shown and described.

(51) **LOC (13) Cl.** **10-02**
 (52) **U.S. Cl.**
 USPC **D10/30**
 (58) **Field of Classification Search**
 USPC D10/32, 39, 30
 See application file for complete search history.

DESCRIPTION

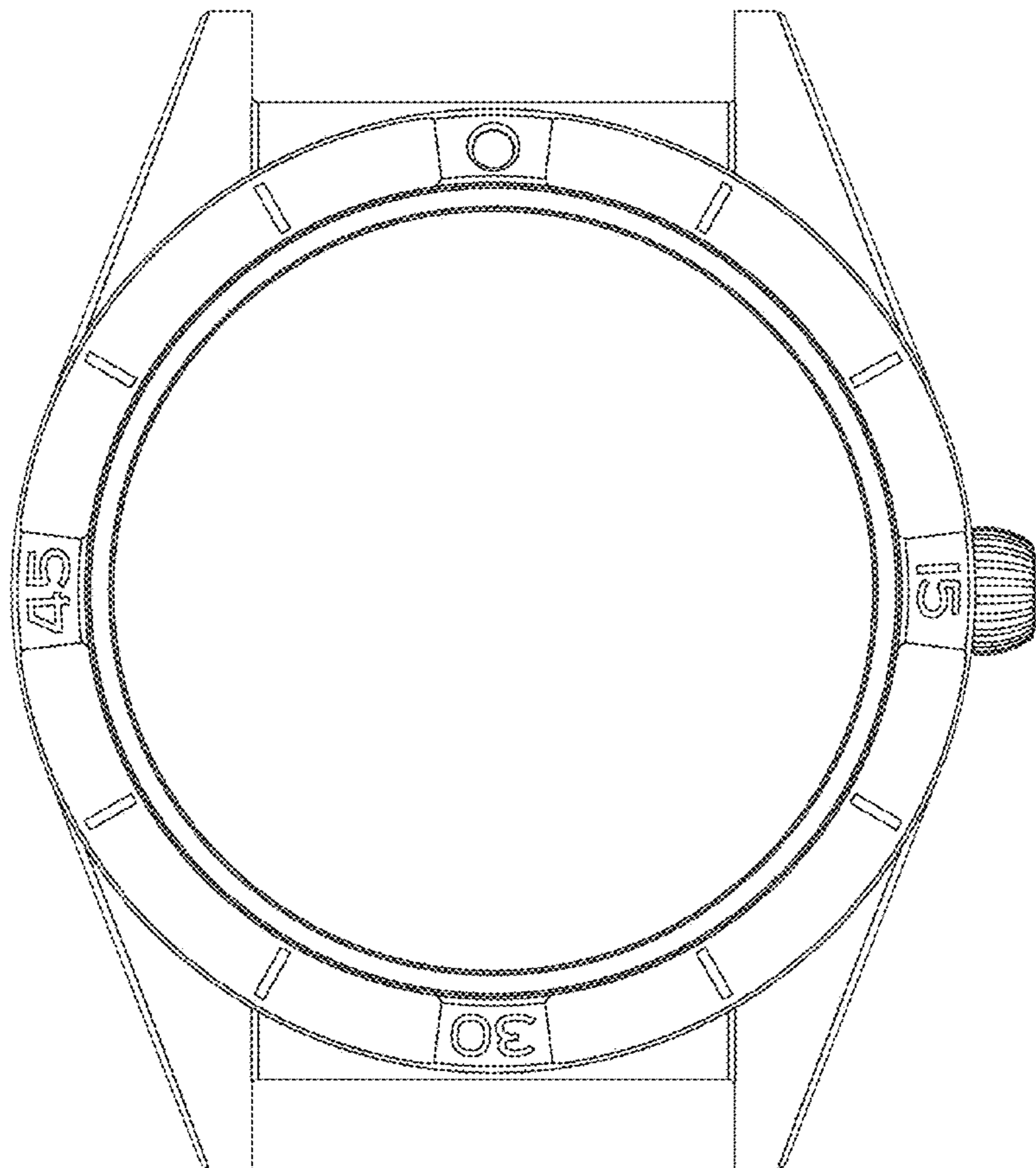
1.-2. Watch case
 1.1 is a bottom view.
 1.2 is a front view.
 1.3 is a top view.
 1.4 is a left side view.
 1.5 is a right side view.
 1.6 is a back view.
 1.7 is a perspective view.
 2.1 is a front view.
 2.2 is a bottom view.
 2.3 is a left side view.
 2.4 is a top view.
 2.5 is a right side view.
 2.6 is a back view.
 2.7 is a perspective view

(56) **References Cited**

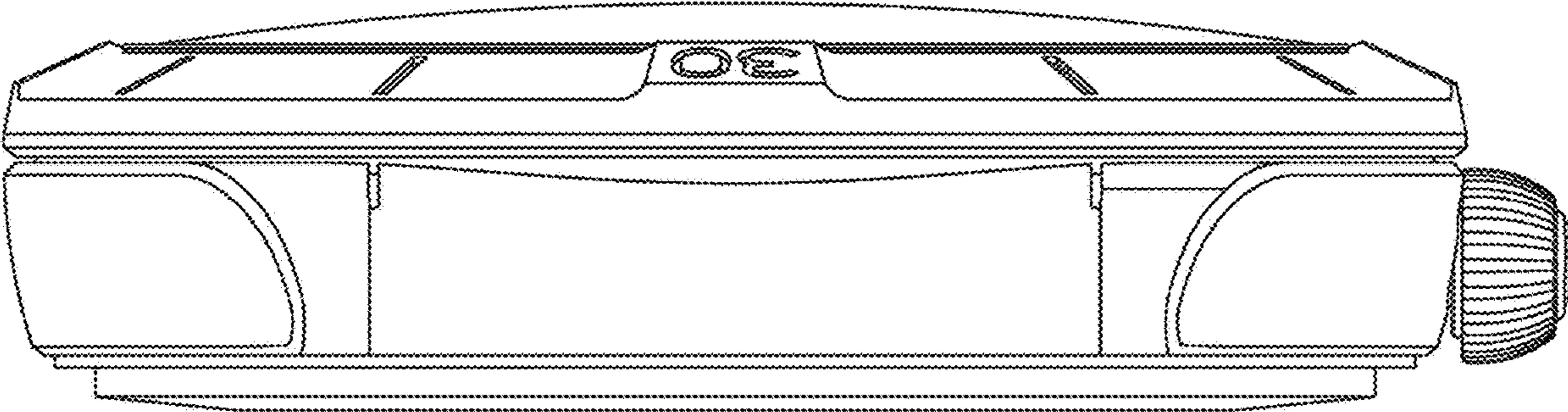
U.S. PATENT DOCUMENTS

D327,020 S * 6/1992 Gradel D10/30
 D353,780 S * 12/1994 Schneider D10/32

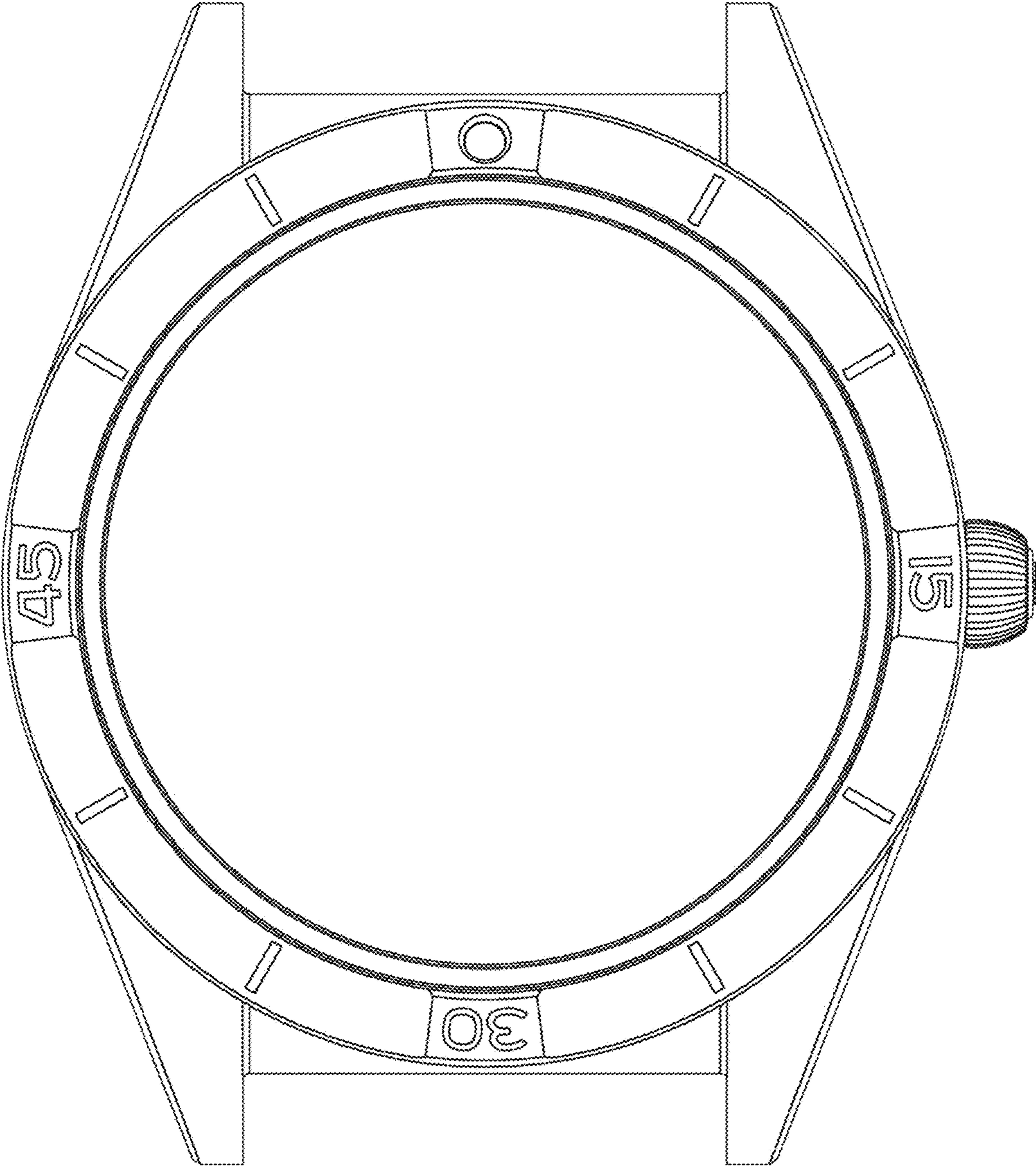
1 Claim, 14 Drawing Sheets



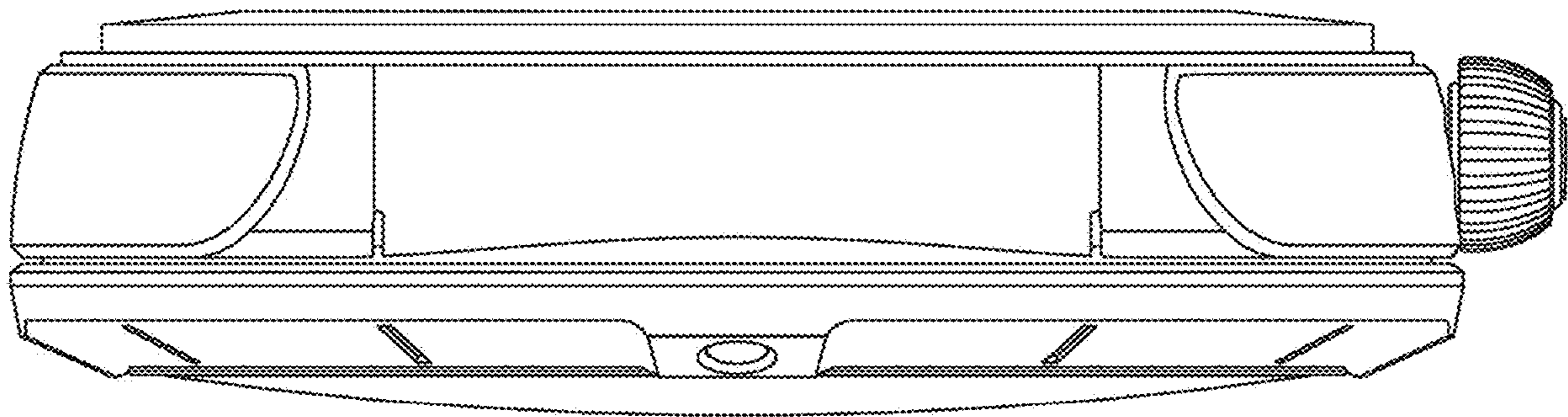
1.1



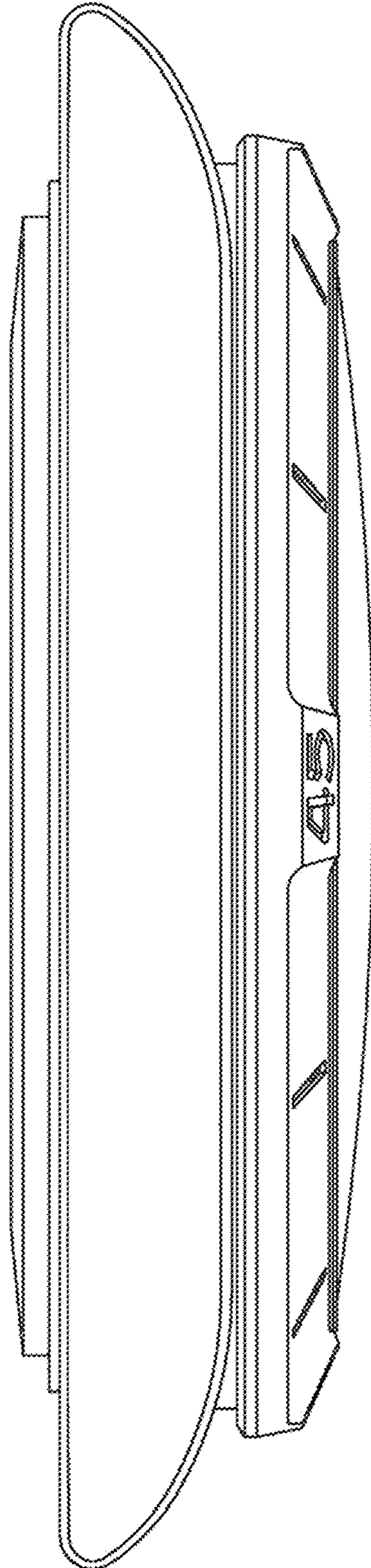
1.2



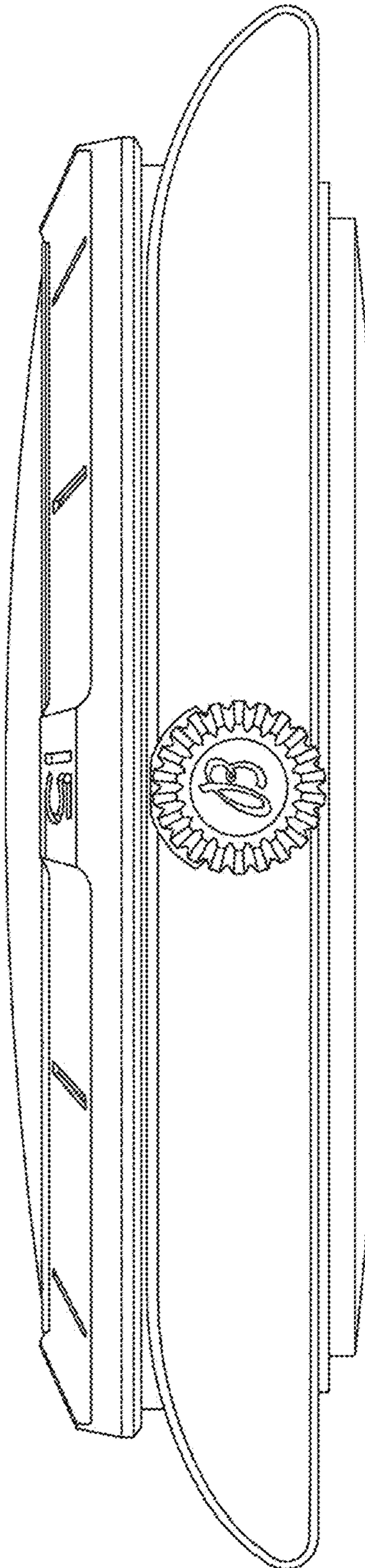
1.3



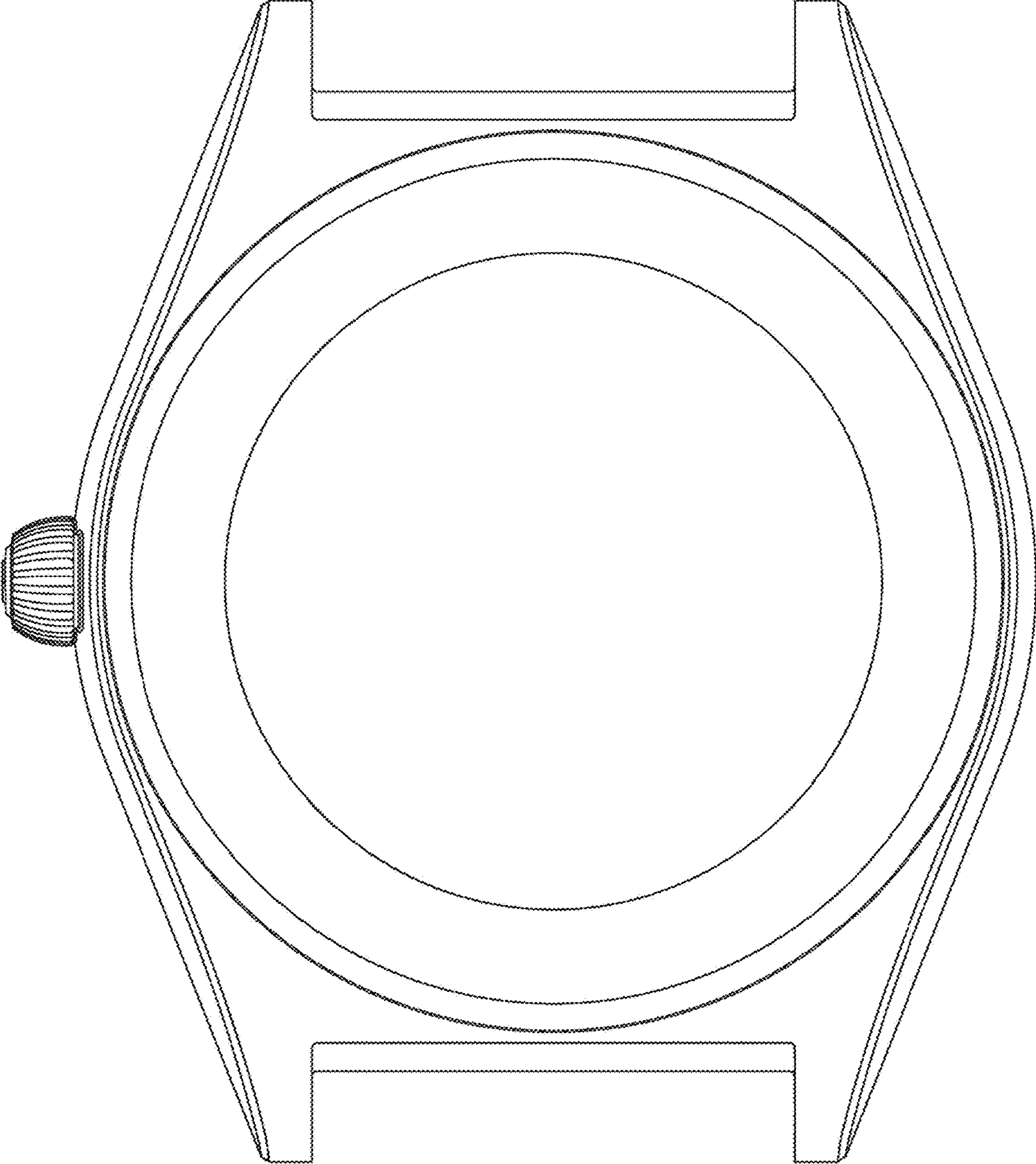
1.4



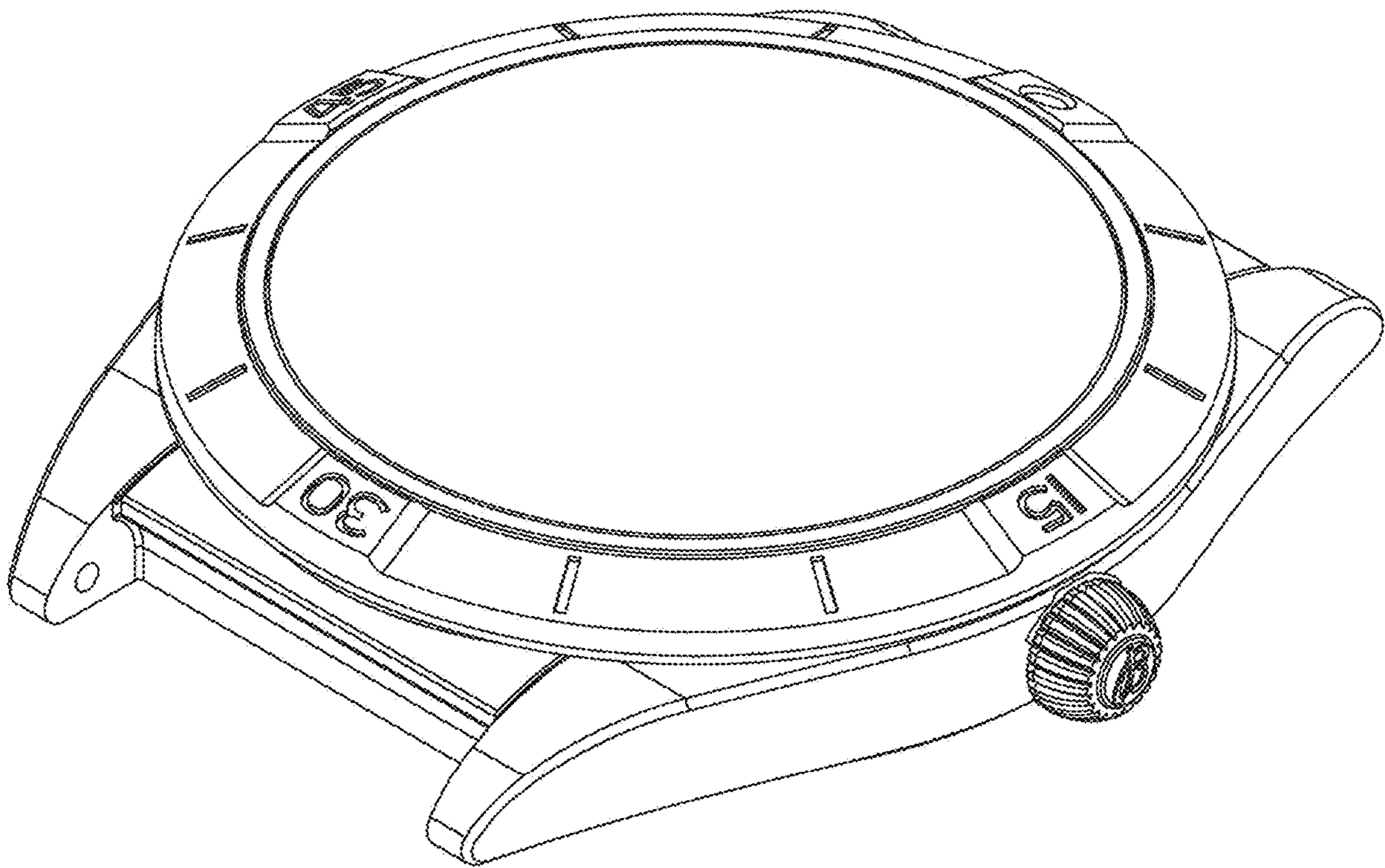
1.5



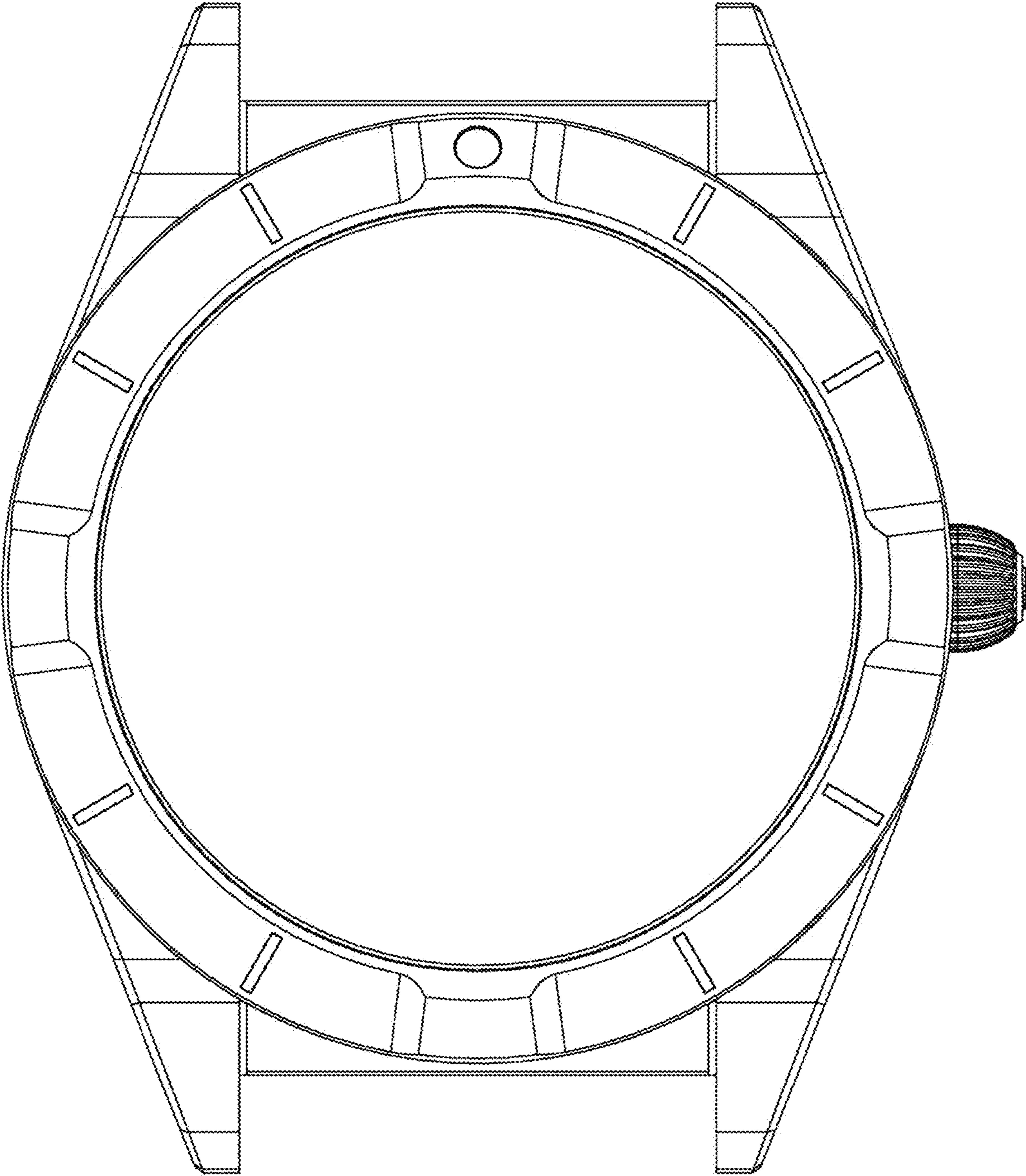
1.6



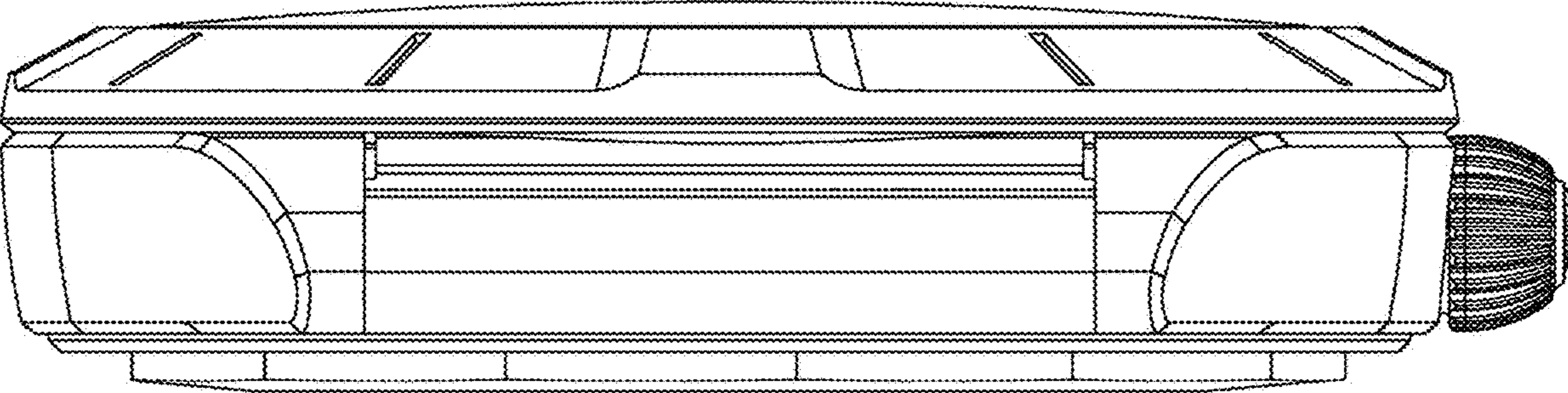
1.7



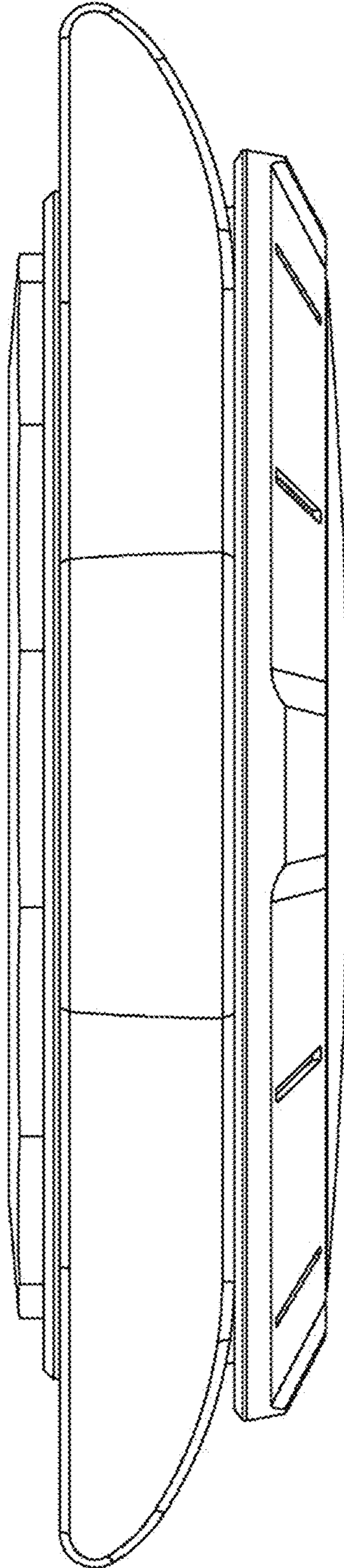
2.1



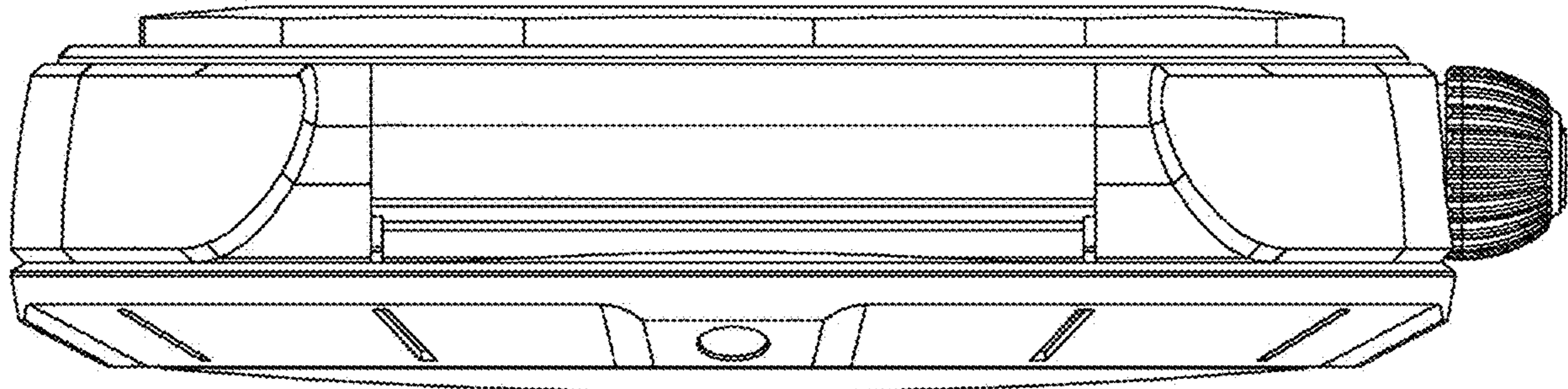
2.2



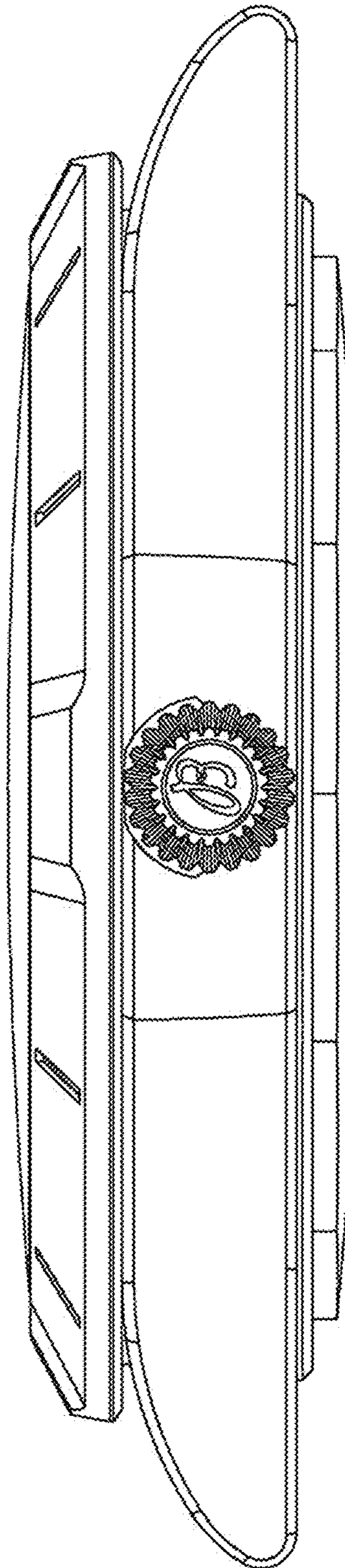
2.3



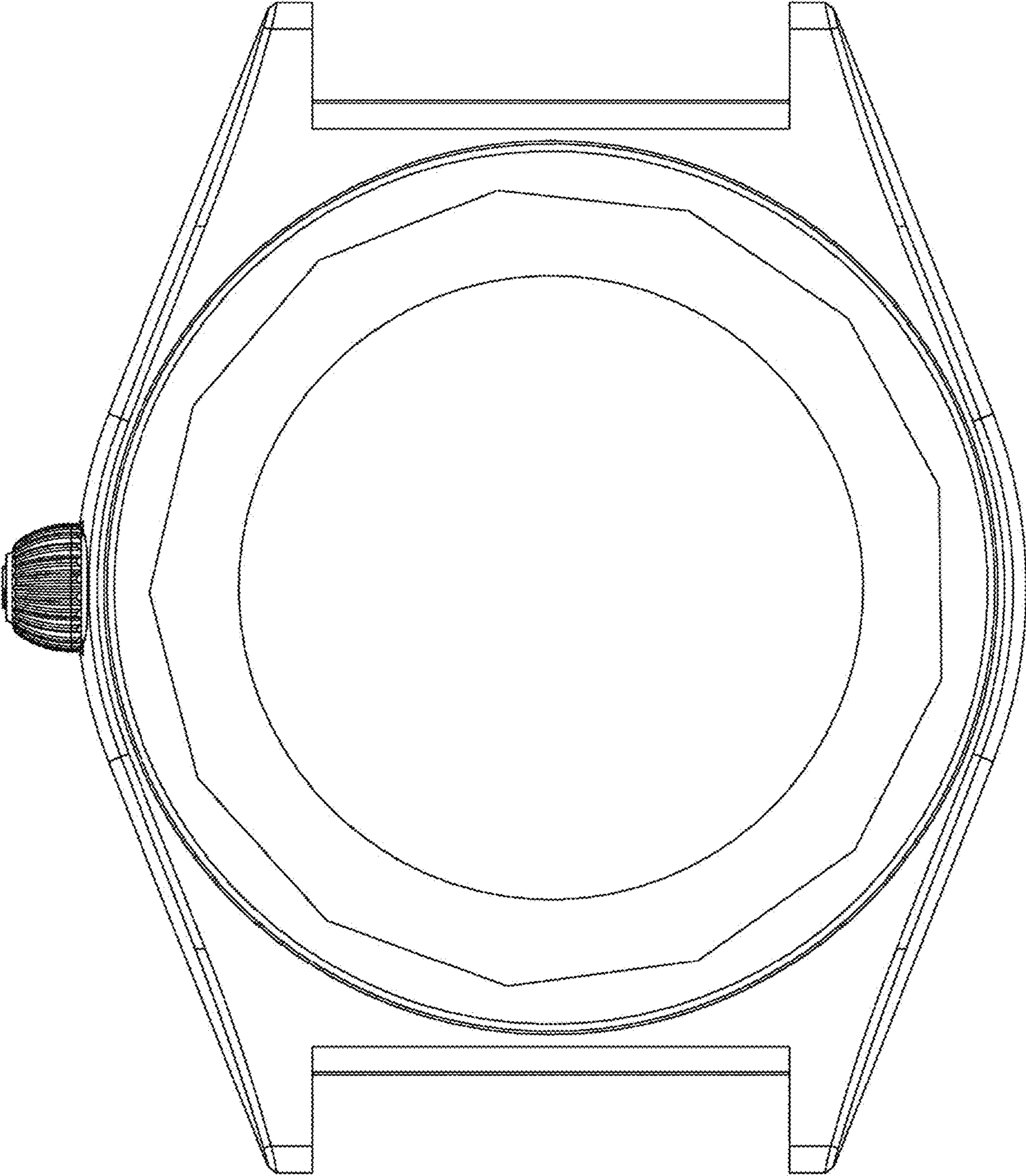
2.4



2.5



2.6



2.7

