



US00D938823S

(12) **United States Design Patent**  
**Johnson**

(10) **Patent No.:** **US D938,823 S**

(45) **Date of Patent:** **\*\* Dec. 21, 2021**

(54) **HOLDER FOR BOX LID OR THE LIKE**

(71) Applicant: **Bruce Johnson**, Carson City, NV (US)

(72) Inventor: **Bruce Johnson**, Carson City, NV (US)

(\*\*) Term: **15 Years**

(21) Appl. No.: **29/762,887**

(22) Filed: **Dec. 18, 2020**

(51) **LOC (13) Cl.** ..... **09-07**

(52) **U.S. Cl.**  
USPC ..... **D9/455**; D6/682.3

(58) **Field of Classification Search**  
USPC ..... D9/434, 455, 456, 457, 499, 501, 517,  
D9/739; D6/310, 312, 512, 513;  
D19/32, 75, 91, 102, 113, 114; D20/19  
CPC ..... A47F 1/00; A47F 3/00; A47F 3/14; A47F  
3/142; A47F 5/10; A47F 5/11; A47F  
5/112; A47F 5/114; A47F 7/14; A63F  
1/10; A63F 9/10; A63F 9/1044; B42D  
5/00; B42D 5/04; B42D 5/043; B65D  
5/00; B65D 5/52; B65D 5/5206; G10G  
5/00

See application file for complete search history.

(56) **References Cited**

**U.S. PATENT DOCUMENTS**

433,635	A *	8/1890	Turck	.....	B42D 5/043 D19/20
1,056,183	A *	3/1913	Kislovitz	.....	A47B 23/042 248/459
2,079,370	A *	5/1937	Durkin	.....	B65D 5/5206 D19/20
2,335,020	A	11/1943	Nehrich		
3,282,437	A *	11/1966	Hansen	.....	A47F 7/0064 D6/682.4
3,593,955	A	7/1971	Hind		
D239,678	S *	4/1976	Blake	.....	D6/682
D321,799	S *	11/1991	Marvy	.....	D6/682.3
D334,479	S *	4/1993	Glick	.....	D6/310

5,335,753	A	8/1994	Campbell		
5,868,373	A *	2/1999	Duff	.....	A47B 23/044 248/459
5,973,244	A *	10/1999	McCulloch	.....	G10G 5/00 D19/91

(Continued)

**OTHER PUBLICATIONS**

<https://www.whitemountainpuzzles.com/products/iconic-america-1552pz-1000-piece-jigsaw-puzzle> Note: White Mountain Puzzles include a box display stand, Image attached to email, (8 pages total), printed on Sep. 17, 2021.

(Continued)

*Primary Examiner* — Wendy L Arminio  
(74) *Attorney, Agent, or Firm* — Cowan, Liebowitz & Latman, P.C.; Anastasia Zhadina

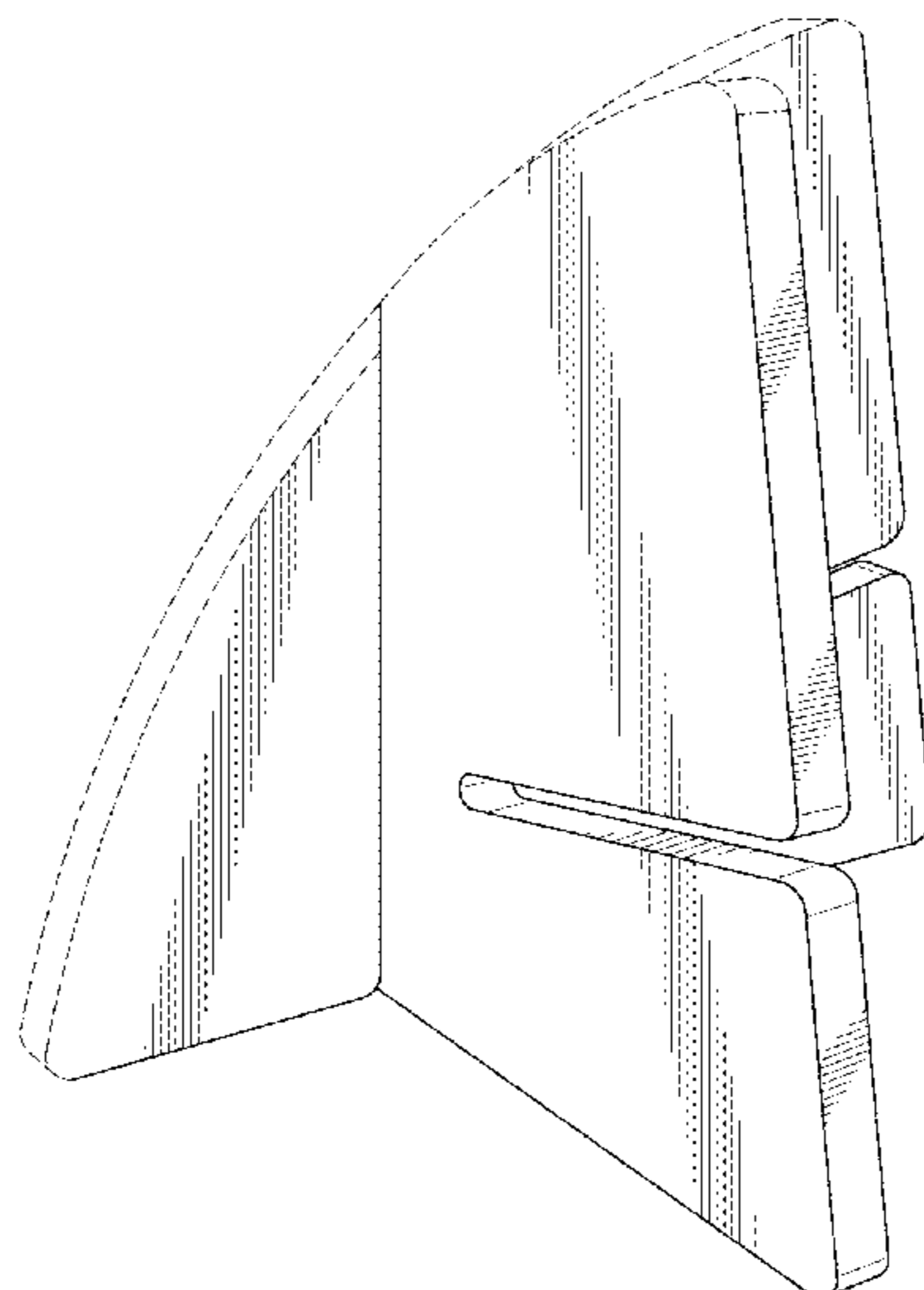
(57) **CLAIM**

The ornamental design for a holder for box lid or the like, as shown and described.

**DESCRIPTION**

FIG. 1 is a perspective view of the holder for box lid or the like in an assembled state, showing my design;  
FIG. 2 is a front view thereof;  
FIG. 3 is a rear view thereof;  
FIG. 4 is a left-side view thereof;  
FIG. 5 is right-side view thereof;  
FIG. 6 is a top view thereof;  
FIG. 7 is a bottom view thereof; and,  
FIG. 8 is a front view thereof in a disassembled state.  
The dot-dash-dot broken lines depict the boundaries of the claim and form no part thereof. The dash-dash broken lines depict portions of the holder for box lid or the like that form no part of the claimed design.  
The jagged break lines surrounding the vertical slots in the two support elements of the holder for box lid or the like in FIG. 8 indicate that no portion of the article beyond what is shown forms part of the claimed design.

**1 Claim, 5 Drawing Sheets**



(56)

**References Cited**

U.S. PATENT DOCUMENTS

6,109,329 A \* 8/2000 Russo ..... A47B 47/0075  
 160/135  
 6,352,233 B1 3/2002 Barberich  
 6,382,581 B1 \* 5/2002 Duff ..... A47B 97/08  
 248/165  
 6,453,973 B1 \* 9/2002 Russo ..... A47B 47/0075  
 160/135  
 D643,635 S \* 8/2011 Harding ..... D6/310  
 8,056,871 B2 11/2011 Matias  
 D652,457 S \* 1/2012 Robins ..... D21/491  
 D696,031 S \* 12/2013 Pitts Brown ..... D6/310  
 D771,615 S \* 11/2016 Pignotti ..... D6/310  
 D811,753 S \* 3/2018 Conrad ..... D6/310  
 D812,475 S \* 3/2018 Kauffman ..... D9/455  
 D867,370 S 11/2019 Taylor  
 D888,472 S 6/2020 Zhou  
 D902,719 S \* 11/2020 Dwork ..... D9/456  
 D910,756 S \* 2/2021 Carberry ..... D6/310  
 2005/0121588 A1 \* 6/2005 Snuffer ..... A47F 5/112  
 248/459  
 2017/0217357 A1 8/2017 McKenzie et al.  
 2018/0049549 A1 \* 2/2018 Conrad ..... A47B 97/08  
 2019/0281976 A1 9/2019 Taylor

OTHER PUBLICATIONS

[https://www.etsy.com/listing/775955613/wooden-stand-puzzle-stand-shelfie-stand?show\\_sold\\_out\\_detail=1&ref=nla\\_listing\\_details](https://www.etsy.com/listing/775955613/wooden-stand-puzzle-stand-shelfie-stand?show_sold_out_detail=1&ref=nla_listing_details), (16 pages total), published at least from Aug. 15, 2021, printed on Sep. 17, 2021.

<https://www.stlfinder.com/model/puzzle-box-stand-holder-tXkB63a9/1789530/>, (2 pages total), printed on Sep. 17, 2021.

\* cited by examiner

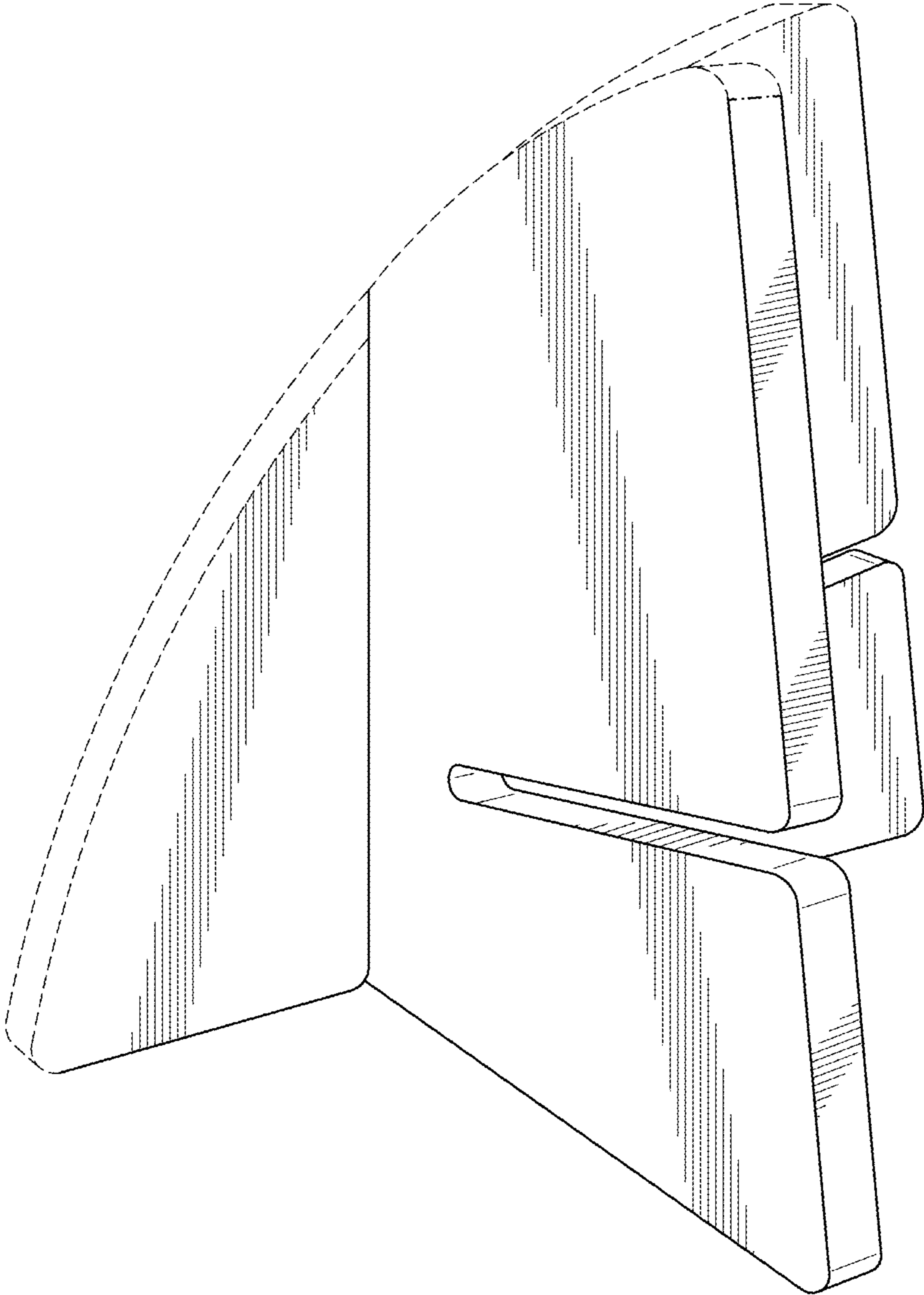


FIG. 1

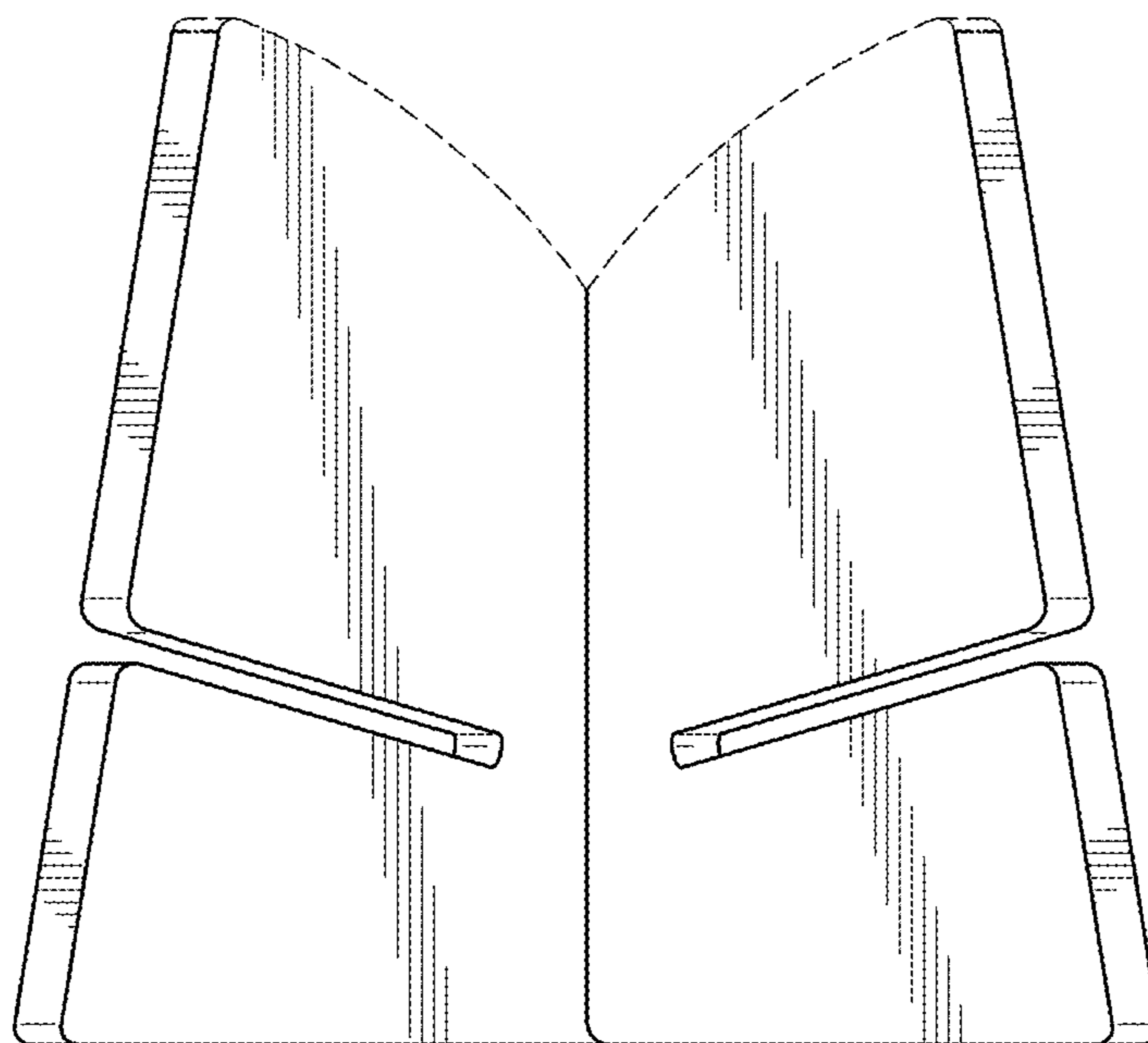


FIG. 2

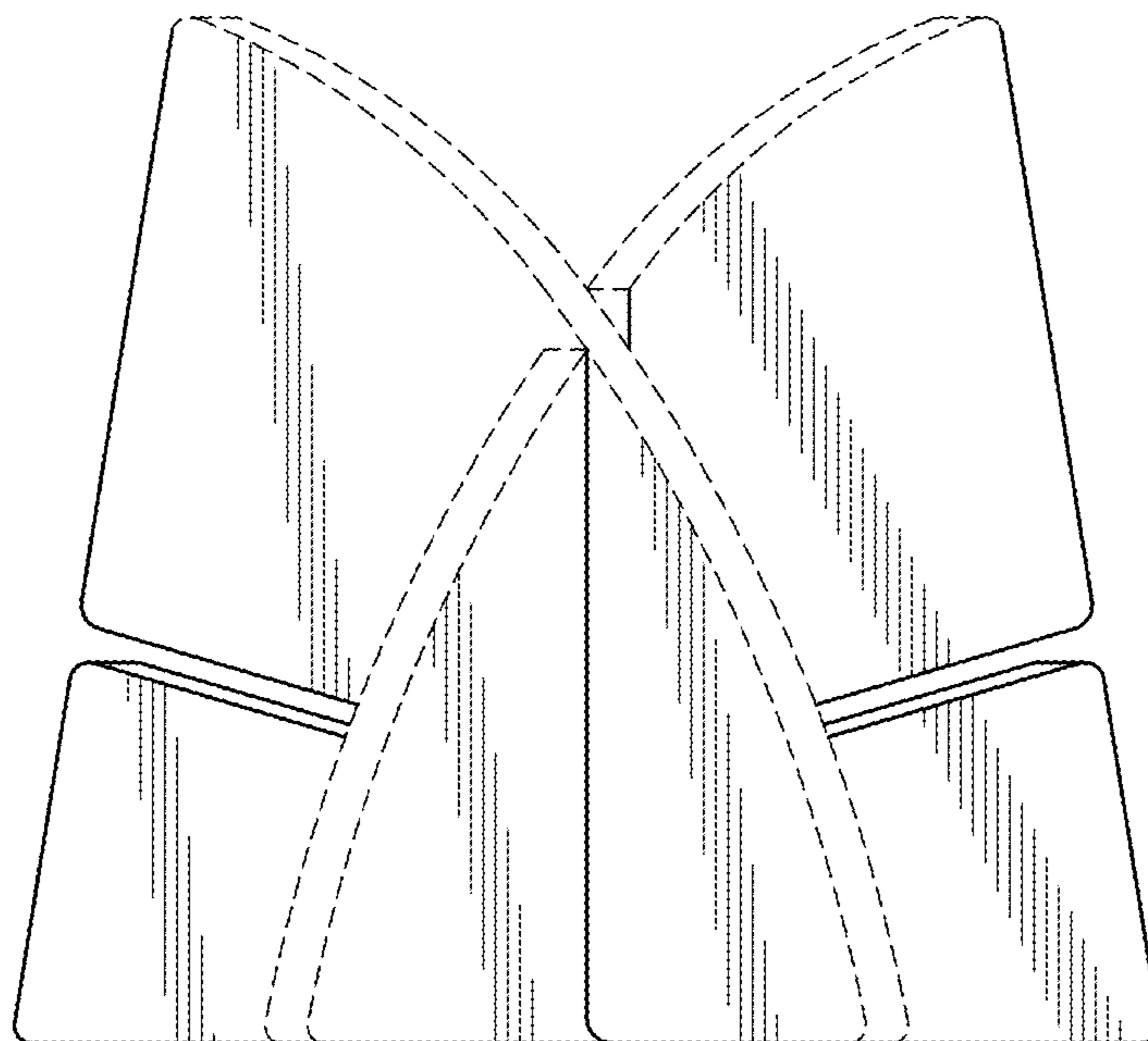


FIG. 3

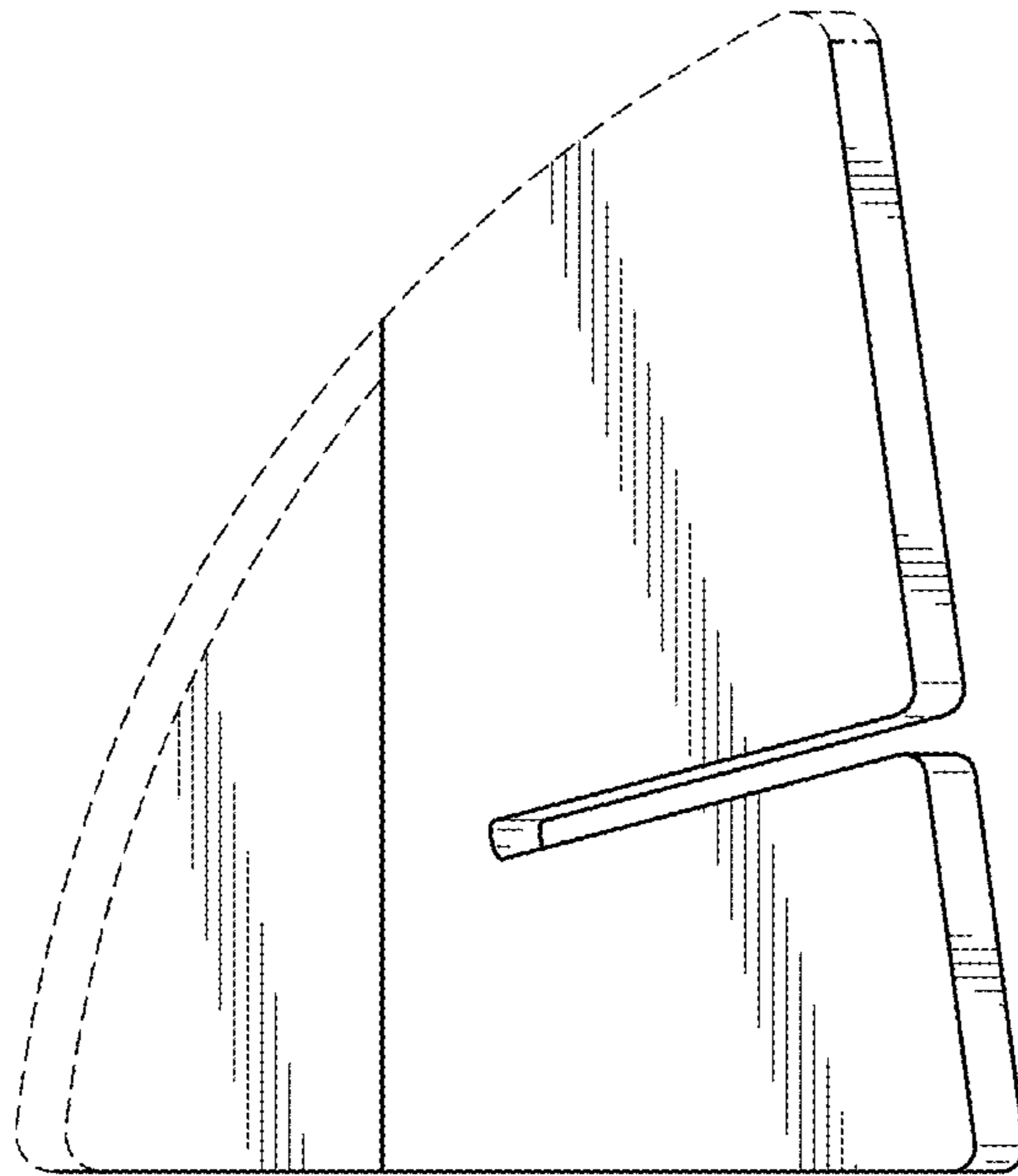


FIG. 4

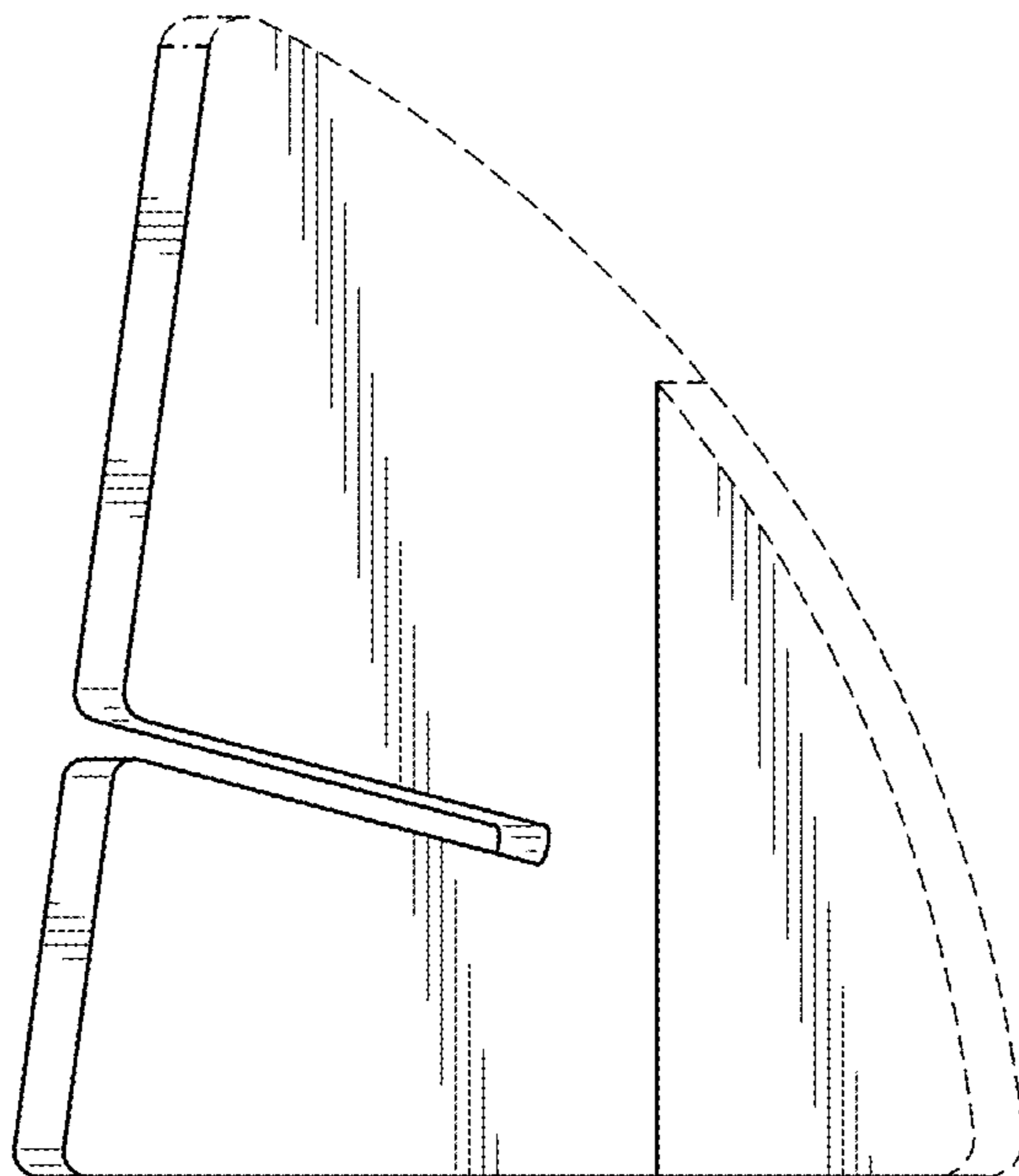


FIG. 5



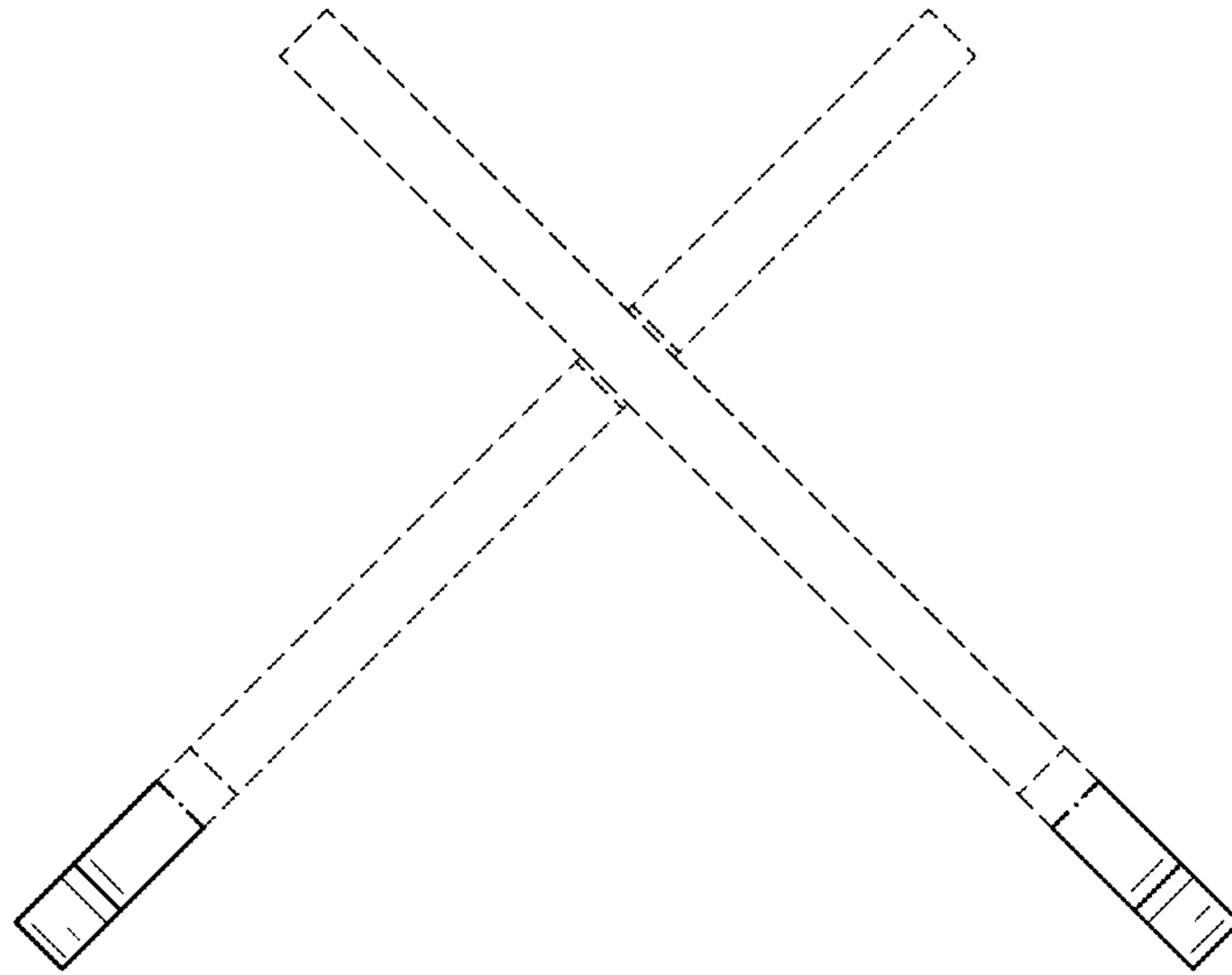


FIG. 6

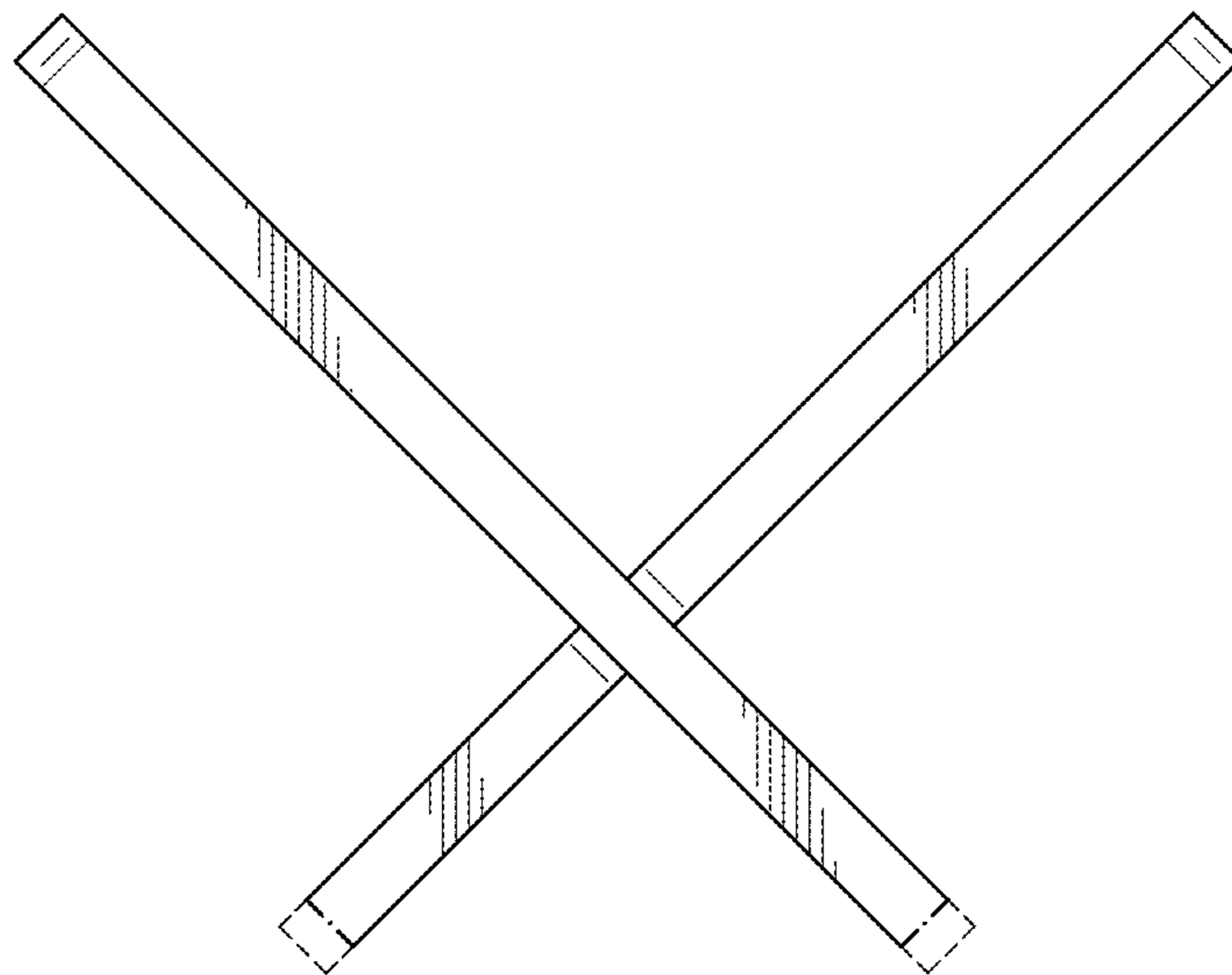


FIG. 7

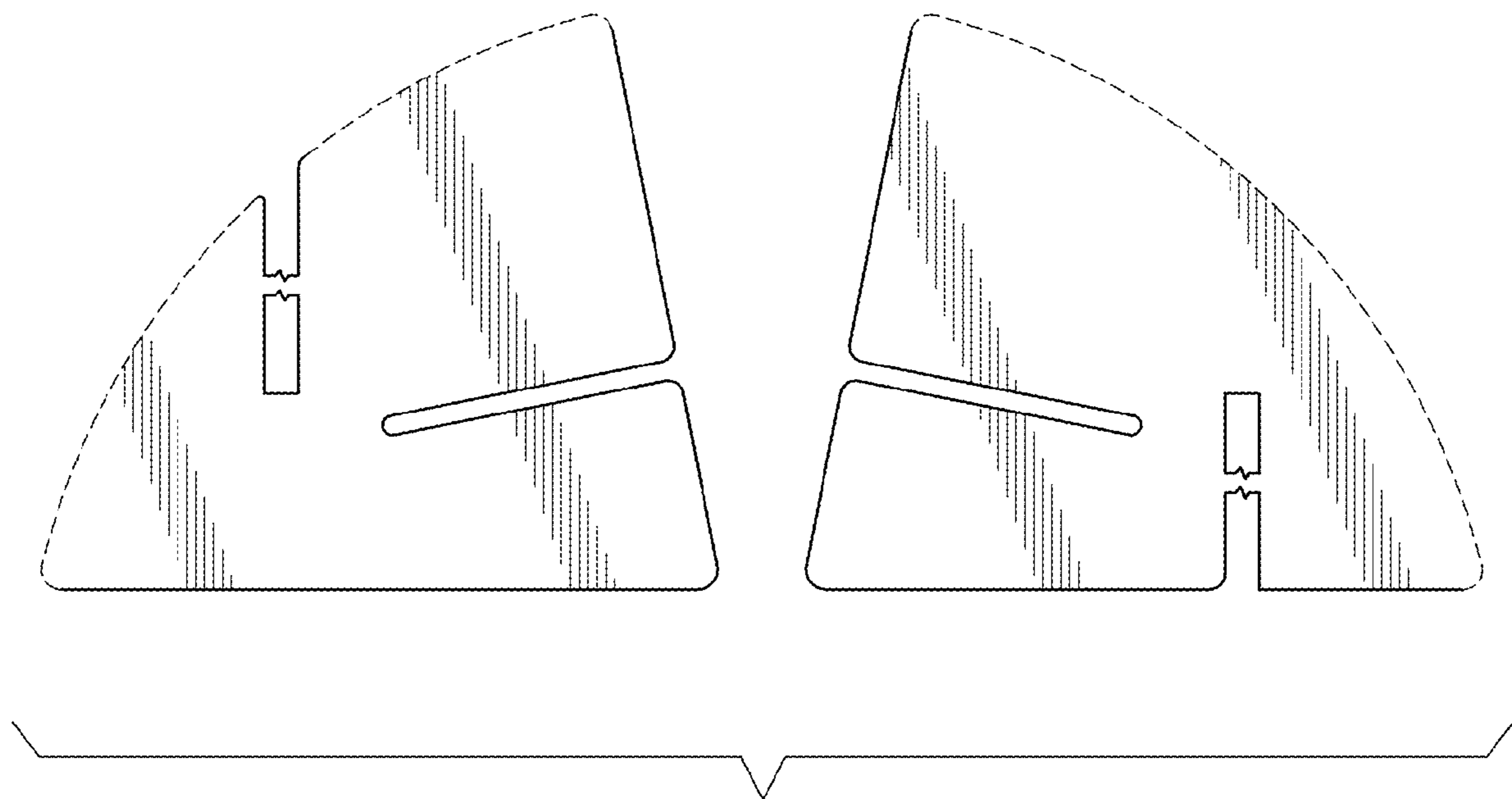


FIG. 8