



US00D938822S

(12) **United States Design Patent** (10) **Patent No.:** **US D938,822 S**  
**Metaxatos et al.** (45) **Date of Patent:** **\*\* Dec. 21, 2021**

(54) **BOTTLE STOPPER WITH HOSE**

FOREIGN PATENT DOCUMENTS

(71) Applicant: **Coravin, Inc.**, Bedford, MA (US)  
(72) Inventors: **Paul K. Metaxatos**, Swampscott, MA (US); **Steffen F. Koury**, Nahant, MA (US); **Benjamin Hines**, Cranston, RI (US); **Brendan B. Crawford**, Boston, MA (US); **Sarah Deslandes**, Boston, MA (US); **Michael Rider**, Lowell, MA (US)

CN 303584167 \* 2/2016  
CN 303986047 \* 12/2016

(Continued)

(73) Assignee: **Coravin, Inc.**, Bedford, MA (US)

(\*\*) Term: **15 Years**

(21) Appl. No.: **29/741,245**

(22) Filed: **Jul. 10, 2020**

(51) **LOC (13) Cl.** ..... **09-07**

(52) **U.S. Cl.**  
USPC ..... **D9/454**; D9/439; D9/440

(58) **Field of Classification Search**  
USPC ..... D9/439, 440, 442-449, 682, 685, 686, D9/435, 450, 454; D6/515; D7/507, D7/509-511, 523, 391, 392, 392.1, 396.2, D7/605, 608, 900; D28/17  
CPC .... B65D 83/205; B65D 83/206; B65D 83/40; B65D 2543/00046; A47G 19/2272  
See application file for complete search history.

OTHER PUBLICATIONS

Roman, Dec. 13, 2018, Circle Joy Wine Bottle Stopper—Silver Review, URL: [https://www.gearbest.com/barware/pp\\_009368268621.html#anchorGoodsReviews](https://www.gearbest.com/barware/pp_009368268621.html#anchorGoodsReviews) (Year: 2018).\*

(Continued)

*Primary Examiner* — Brett Miller

*Assistant Examiner* — Rani J Abdallah

(74) *Attorney, Agent, or Firm* — Wolf, Greenfield & Sacks, P.C.

(57) **CLAIM**

The ornamental design for a bottle stopper with hose, as shown and described.

**DESCRIPTION**

FIG. 1 is a top, front, right side perspective view of a bottle stopper with hose showing our new design; FIG. 2 is a left side elevation view thereof; FIG. 3 is a front elevation view thereof; FIG. 4 is a right side view thereof; FIG. 5 is a rear elevation view thereof; FIG. 6 is a top plan view thereof; and, FIG. 7 is a bottom plan view thereof. The dash-dash broken lines represent portions of the bottle stopper with hose that form no part of the claimed design. The short dash-long dash broken lines define boundaries of the claimed design and form no part of the claimed design.

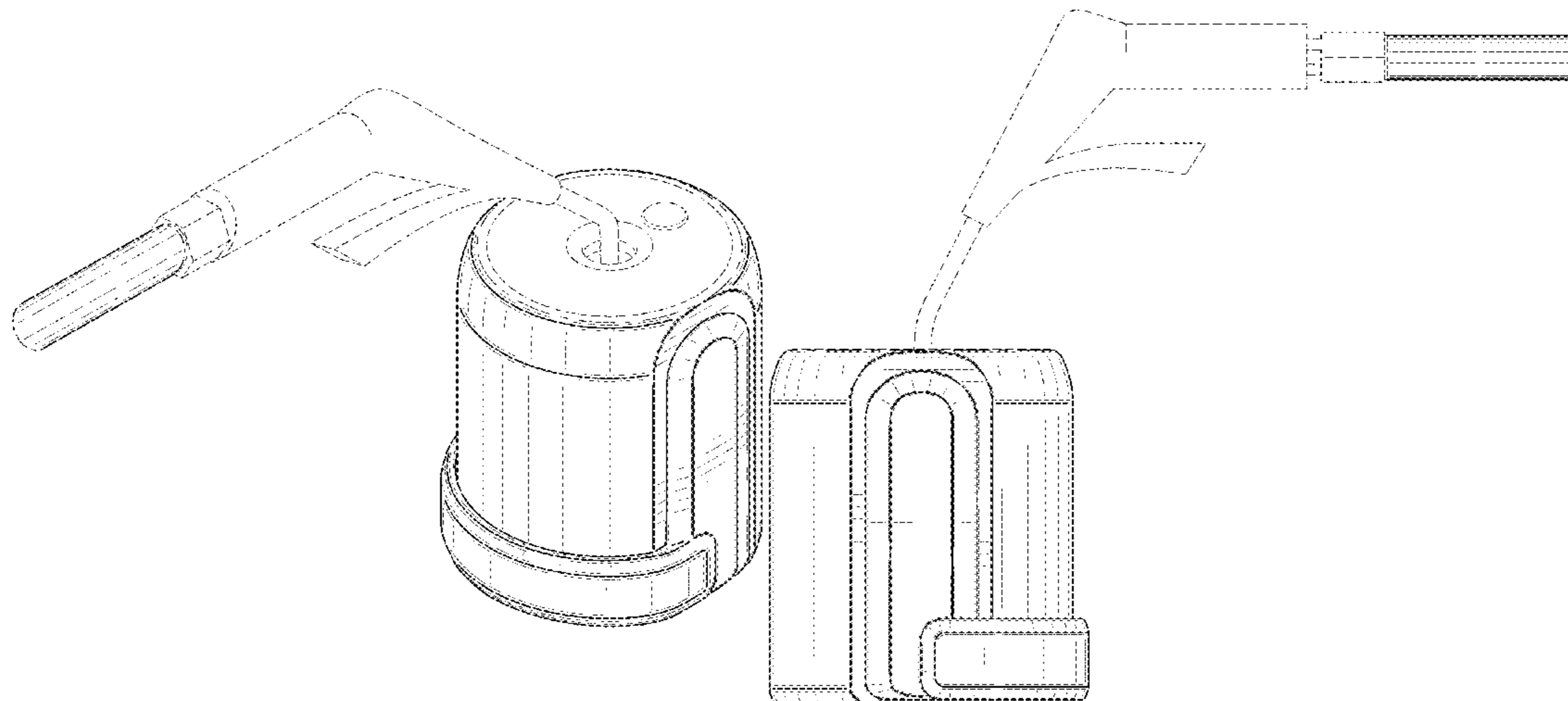
(56) **References Cited**

U.S. PATENT DOCUMENTS

D407,017 S \* 3/1999 Lau ..... D9/447  
D477,182 S \* 7/2003 Brown ..... D7/510  
D536,974 S \* 2/2007 Smith ..... D9/435  
D537,714 S \* 3/2007 Yerby ..... D9/445  
D591,603 S \* 5/2009 Robin-Prevallee ..... D9/454  
D619,472 S \* 7/2010 Papiernik ..... A47J 41/022  
D9/454  
D655,167 S \* 3/2012 Weber-Trinkfass .....  
B65D 81/3869  
D9/454

(Continued)

**1 Claim, 7 Drawing Sheets**



(56)

References Cited

U.S. PATENT DOCUMENTS

D730,191 S \* 5/2015 Hardy ..... A47J 41/0027  
D9/454  
D735,939 S \* 8/2015 Petruccelli ..... D28/17  
D819,402 S \* 6/2018 Silsby ..... D7/510  
D820,039 S \* 6/2018 Fitzsimons ..... D7/392.1  
D836,389 S \* 12/2018 Abante ..... D7/392.1  
D841,469 S \* 2/2019 Christianson ..... D9/454  
D860,716 S \* 9/2019 Abante ..... D7/392.1  
D870,510 S \* 12/2019 Meadows ..... D9/440  
D871,133 S \* 12/2019 Bullock ..... D7/392.1  
D894,738 S \* 9/2020 Hexemer ..... D9/456  
D897,849 S \* 10/2020 Hawry ..... D9/454  
D910,084 S \* 2/2021 Huang ..... D15/7  
10,959,553 B2 \* 3/2021 Nichols ..... A47J 41/0027  
11,021,314 B2 \* 6/2021 Tolman ..... B65D 81/3869  
11,034,505 B2 \* 6/2021 Bullock ..... A47J 41/022  
D927,304 S \* 8/2021 Lingle ..... D9/454

FOREIGN PATENT DOCUMENTS

CN 304907654 \* 11/2018  
CN 305425956 \* 11/2019  
CN 305484107 \* 12/2019  
CN 305484108 \* 12/2019

OTHER PUBLICATIONS

Emily Belly, Aug. 5, 2016, vinepair.com—Are These 5 Champagne Bottle Stoppers Worth All The Fizz?, URL:<https://vinepair.com/articles/are-these-5-champagne-bottle-stoppers-worth-all-the-fizz/> (Year: 2016).\*  
C. Phelps , Oct. 10, 2017, Pulltex AntiOx Winestopper Amazon.com Review Post, URL:<https://www.amazon.com/Antiox-Carbon-Filter-Wine-Stopper/dp/B00B6CSAZS?th=1> (Year: 2017).\*  
U.S. Appl. No. 29/741,243, filed Jul. 10, 2020, Metaxatos et al.

\* cited by examiner

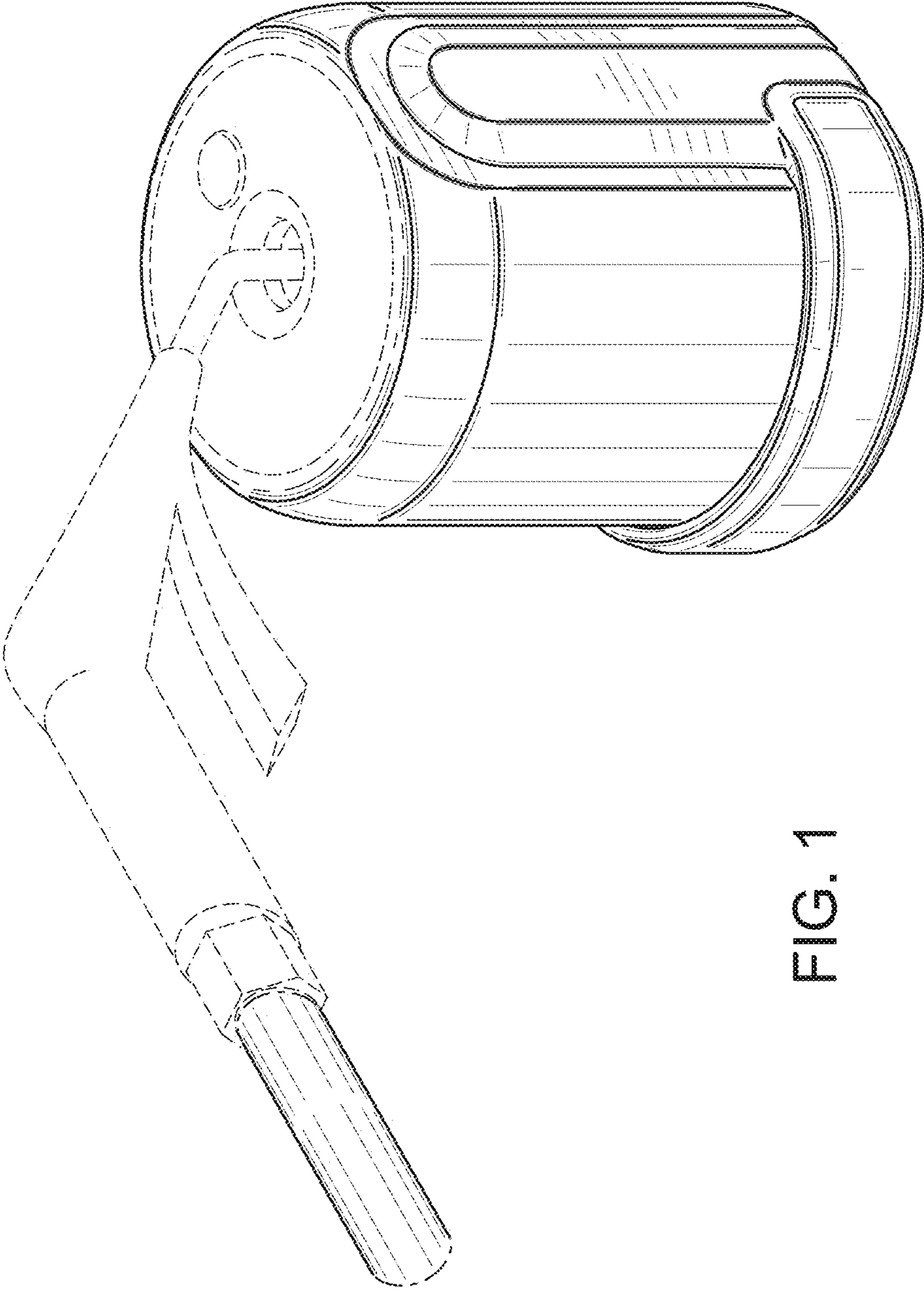


FIG. 1

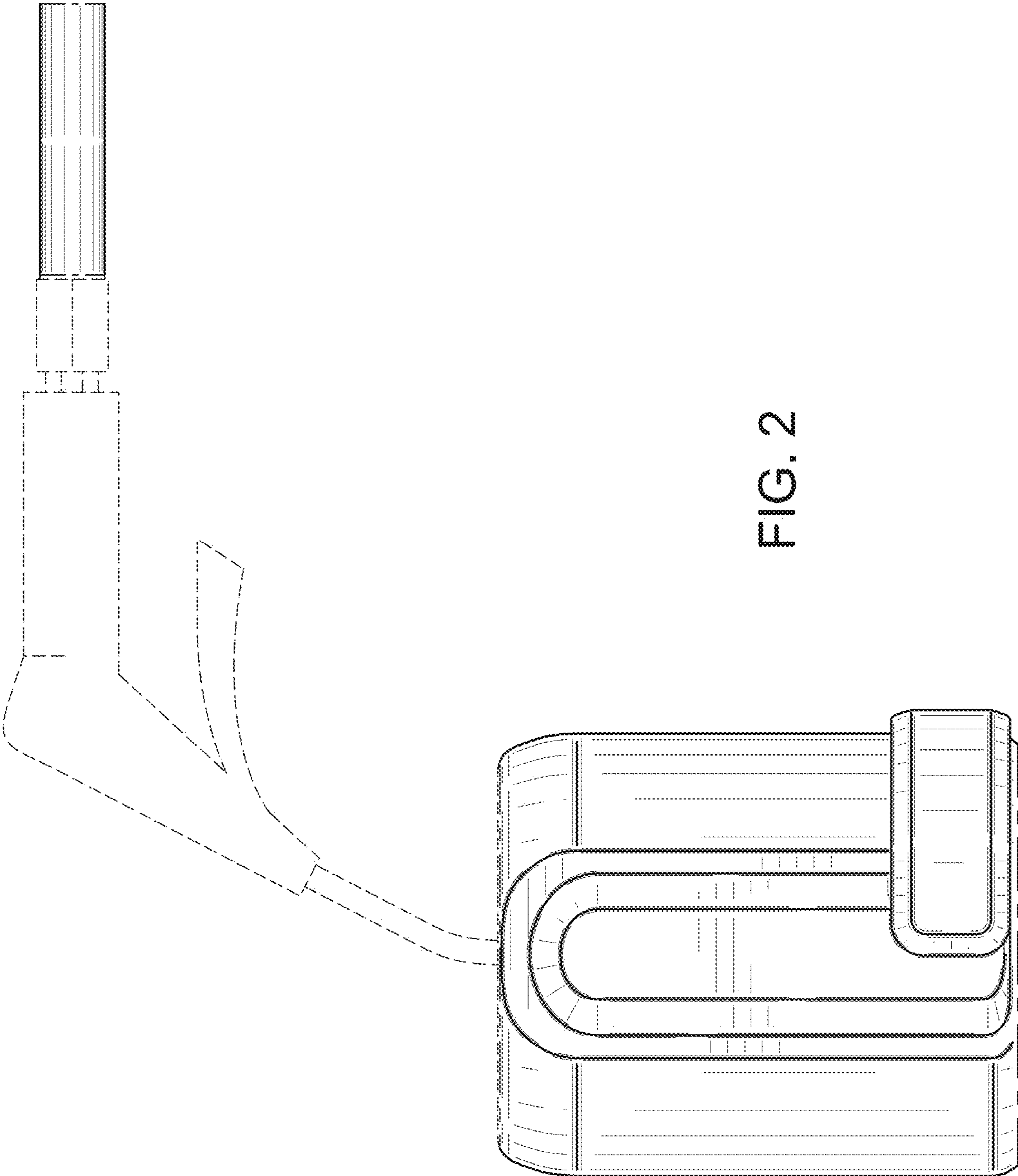


FIG. 2



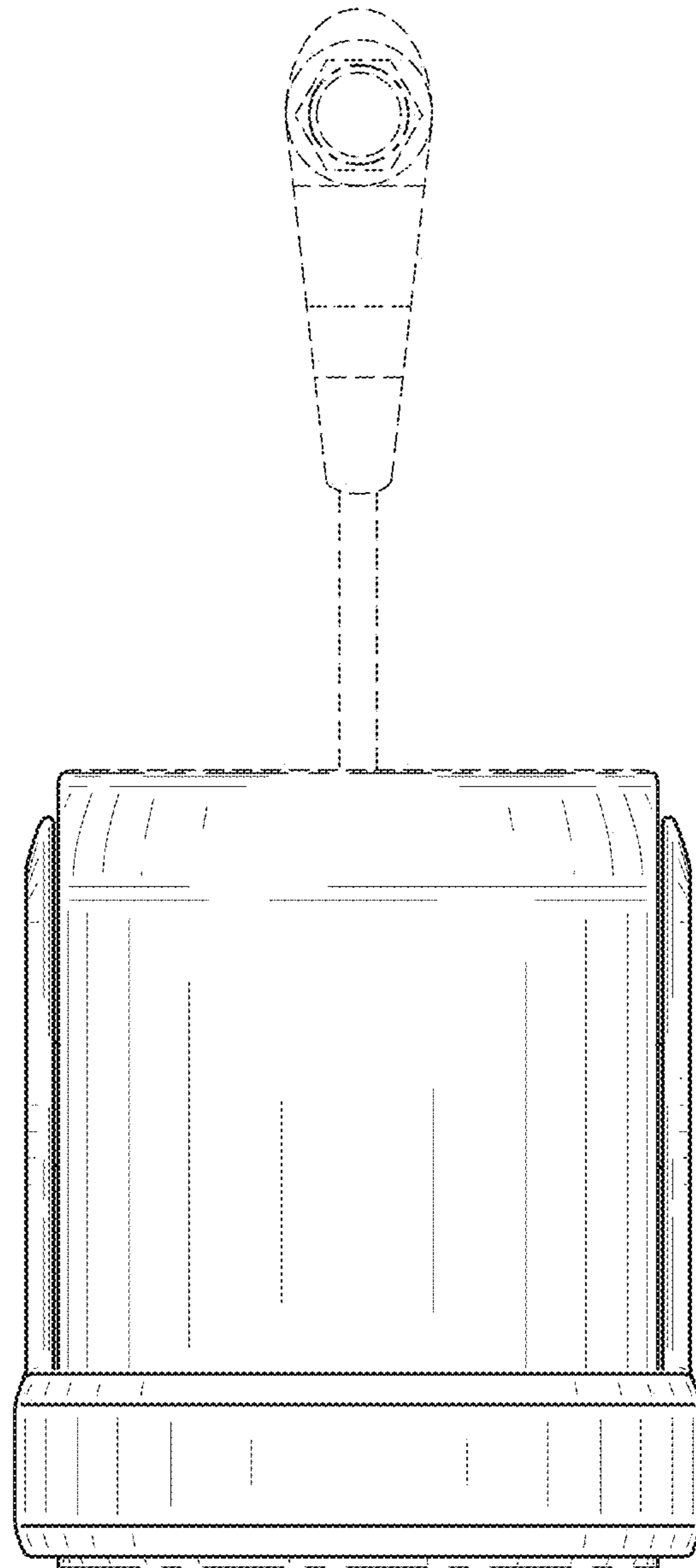


FIG. 3

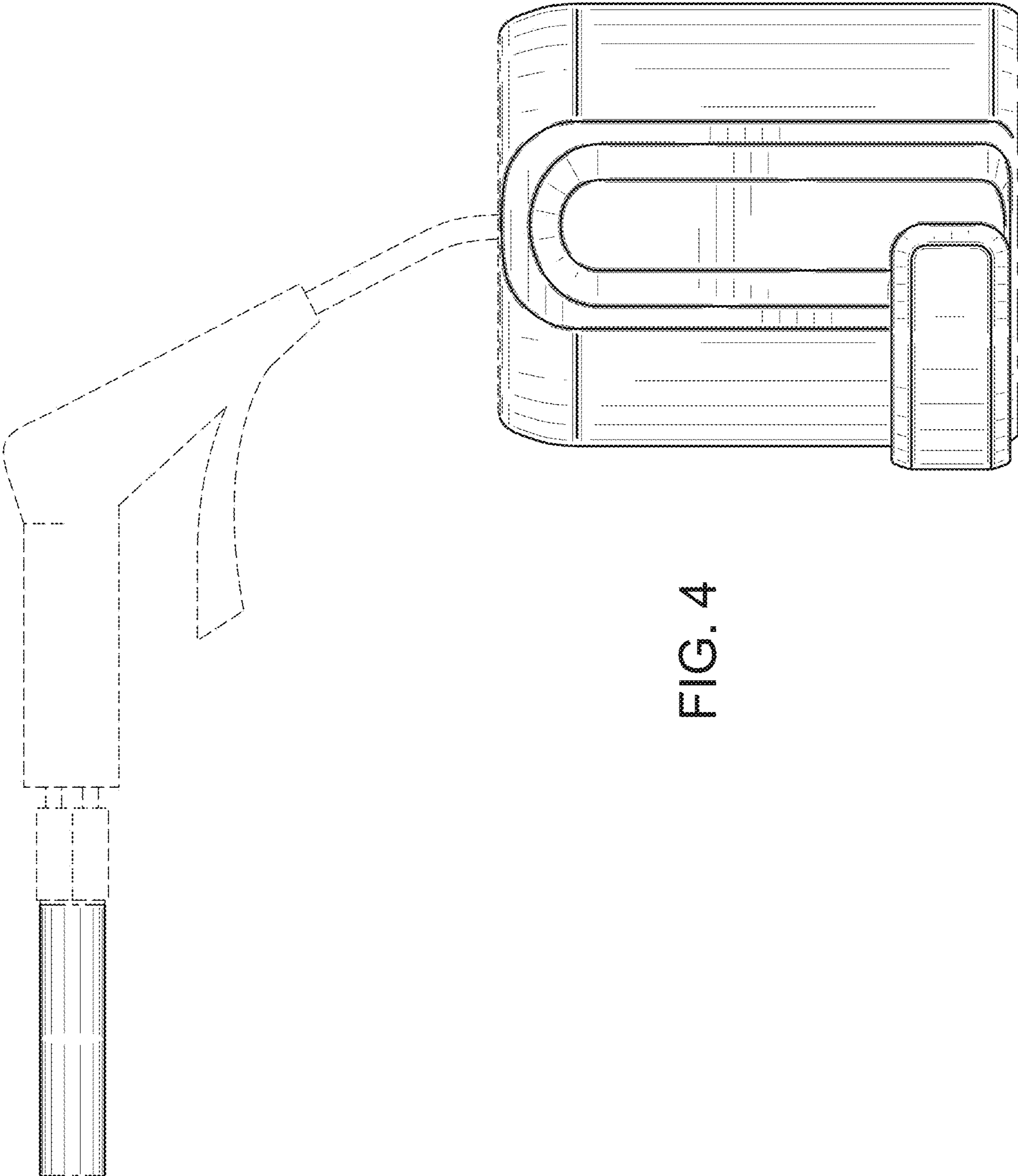


FIG. 4

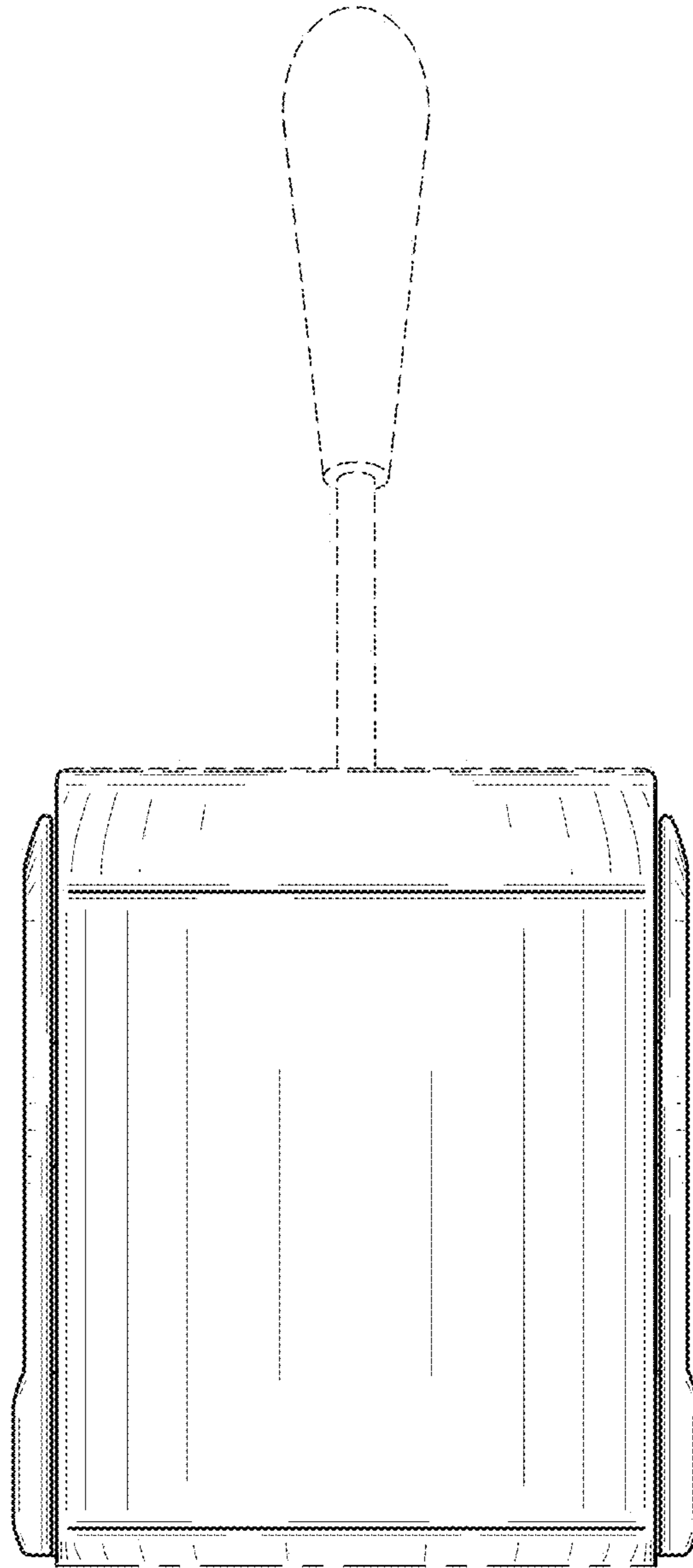


FIG. 5

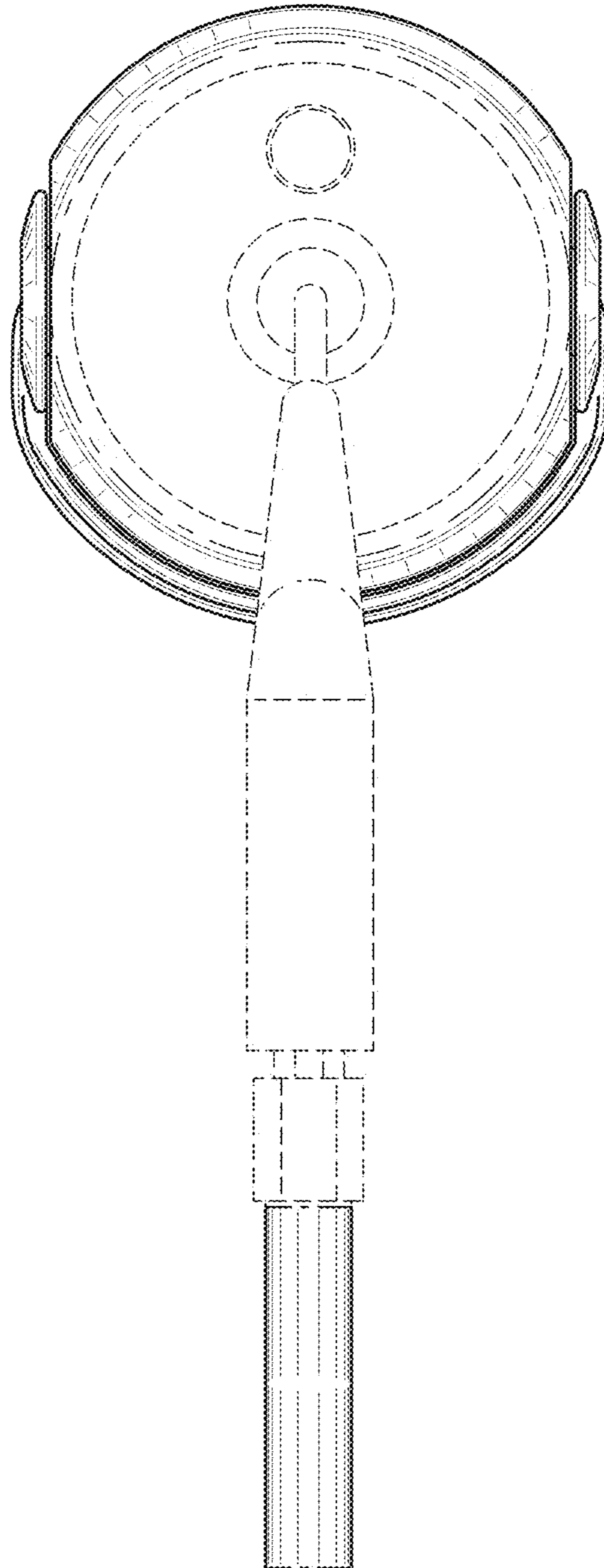


FIG. 6



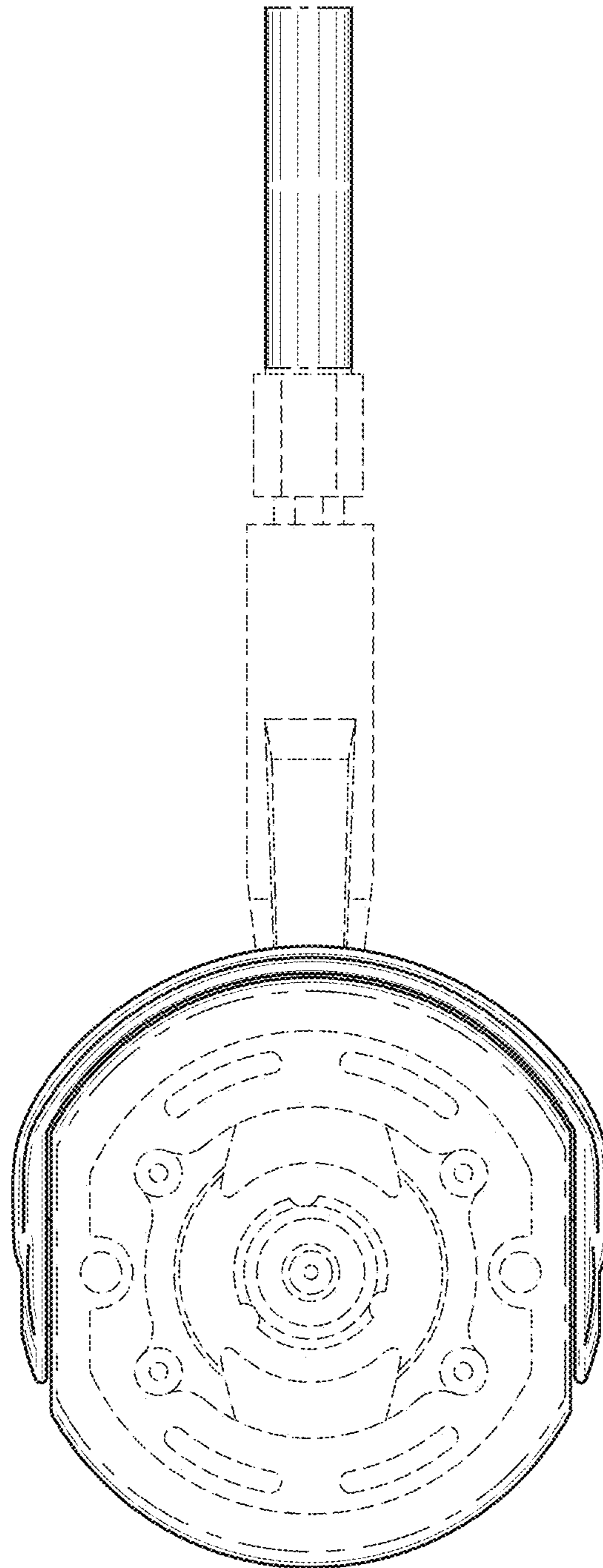


FIG. 7