



US00D938820S

(12) **United States Design Patent** (10) **Patent No.:** **US D938,820 S**  
**Sanders et al.** (45) **Date of Patent:** **\*\* Dec. 21, 2021**

(54) **LID**

(71) Applicant: **KELLOGG COMPANY**, Battle Creek, MI (US)

(72) Inventors: **Sean Sanders**, Chicago, IL (US);  
**Matthew J. Costello**, Chicago, IL (US);  
**Derek A. Smith**, Chicago, IL (US); **Jeff Nuss**, Hickory Corners, MI (US);  
**Donald Joswick**, Portage, MI (US);  
**Mark Allen Fager**, Madison, WI (US)

(73) Assignee: **KELLOGG COMPANY**, Battle Creek, MI (US)

(\*\*) Term: **15 Years**

(21) Appl. No.: **29/740,824**

(22) Filed: **Jul. 7, 2020**

**Related U.S. Application Data**

(62) Division of application No. 29/604,912, filed on May 22, 2017, now Pat. No. Des. 892,622.

(51) **LOC (13) Cl.** ..... **09-07**

(52) **U.S. Cl.**  
USPC ..... **D9/436; D9/454**

(58) **Field of Classification Search**  
USPC ..... D9/414, 424, 428, 434-436, 454,  
D9/500-501, 503-504, 516, 519, 529,  
D9/549, 558, 715-718; D7/505, 653;  
D32/29.1, 75  
CPC . B65D 1/00; B65D 1/10; B65D 23/00; B65D  
2501/00; B65D 2501/0009; B65D 51/246;  
B65D 51/247

See application file for complete search history.

(56) **References Cited**

**U.S. PATENT DOCUMENTS**

D224,516 S	8/1972	Amber	
D286,508 S *	11/1986	Tilden .....	222/570
D318,613 S	7/1991	Halm et al.	
D513,979 S	1/2006	Snedden et al.	
D525,127 S *	7/2006	Cogley .....	D9/456
D536,221 S	2/2007	Kamins	
D547,124 S	7/2007	Peretz	
D552,473 S	10/2007	Simkin	
D561,030 S	2/2008	Simkin	
D563,167 S	3/2008	Snedden et al.	
D612,245 S	3/2010	Puigbo	
D664,853 S	8/2012	Kipry et al.	
D699,578 S	2/2014	Marina et al.	
D701,767 S	4/2014	Marina et al.	
D703,487 S	4/2014	Marina et al.	
D713,722 S *	9/2014	Miller .....	D9/436
D715,646 S	10/2014	Fraser et al.	
D717,651 S	11/2014	Marina et al.	
D729,370 S	5/2015	Chou	
D760,527 S	7/2016	Jones	

(Continued)

*Primary Examiner* — Dana Meyrow

(74) *Attorney, Agent, or Firm* — Honigman LLP; Kathryn D. Doyle, Esq.; Jonathan P. O'Brien

(57) **CLAIM**

We claim the ornamental design for a lid, as shown and described.

**DESCRIPTION**

FIG. 1 is a perspective view of a lid in accordance with our new design, a food container bowl portion thereof shown in broken lines;

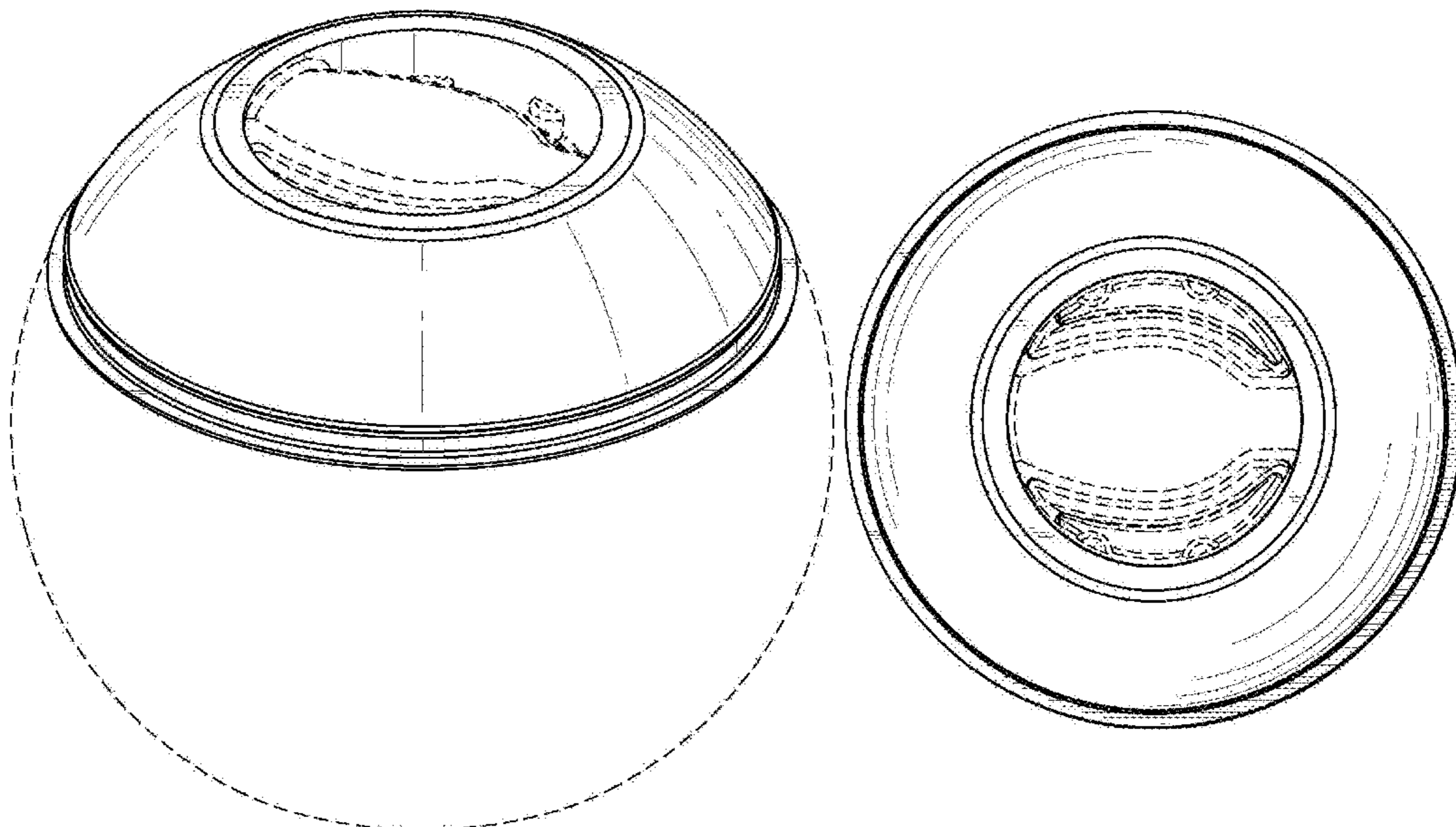
FIG. 2 is another perspective view of the lid of FIG. 1;

FIG. 3 is a top plan view of the lid of FIG. 1; and,

FIG. 4 is a front elevation view of the lid of FIG. 1, the rear and side elevation views being identical thereof.

The broken lines shown throughout the drawing figures are for illustrative purposes only and form no part of the claim.

**1 Claim, 3 Drawing Sheets**



(56)

**References Cited**

U.S. PATENT DOCUMENTS

D801,810	S	*	11/2017	Engel	.....	D9/436
D836,436	S	*	12/2018	Engel	.....	D9/452
D836,438	S	*	12/2018	Engel	.....	D9/452
D843,206	S	*	3/2019	Sanders	.....	D9/428
D849,526	S	*	5/2019	Sanders	.....	D9/425
D863,981	S	*	10/2019	Vranich	.....	D9/717
D892,622	S	*	8/2020	Sanders	.....	D9/503
D898,564	S	*	10/2020	Sanders	.....	D9/428
D902,029	S	*	11/2020	Sanders	.....	D9/432
2002/0060220	A1	*	5/2002	Torniainen	.....	B65D 51/246 220/212
2013/0313255	A1	*	11/2013	Robert	.....	B29D 99/0096 220/212

\* cited by examiner

FIG. 1

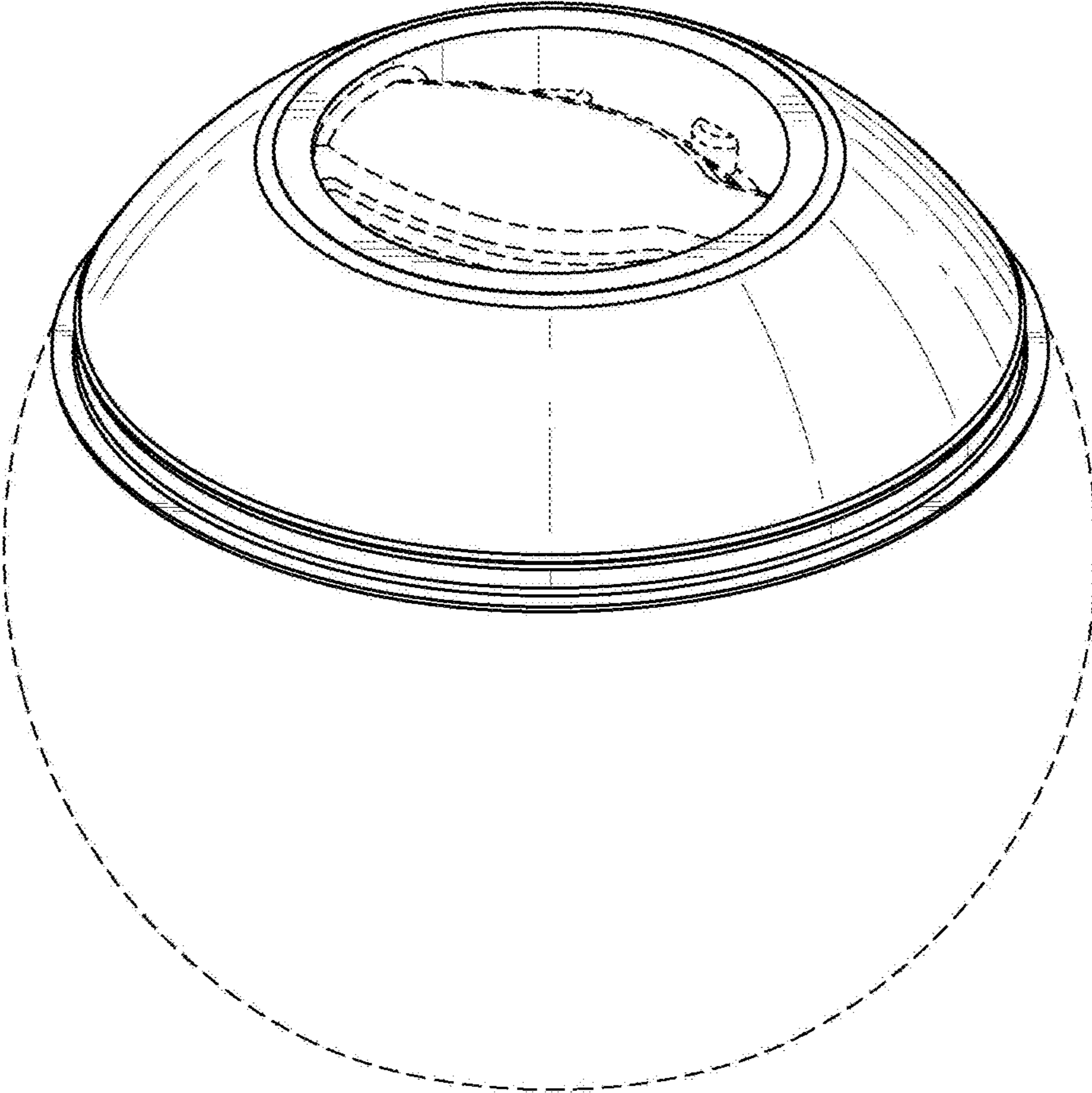
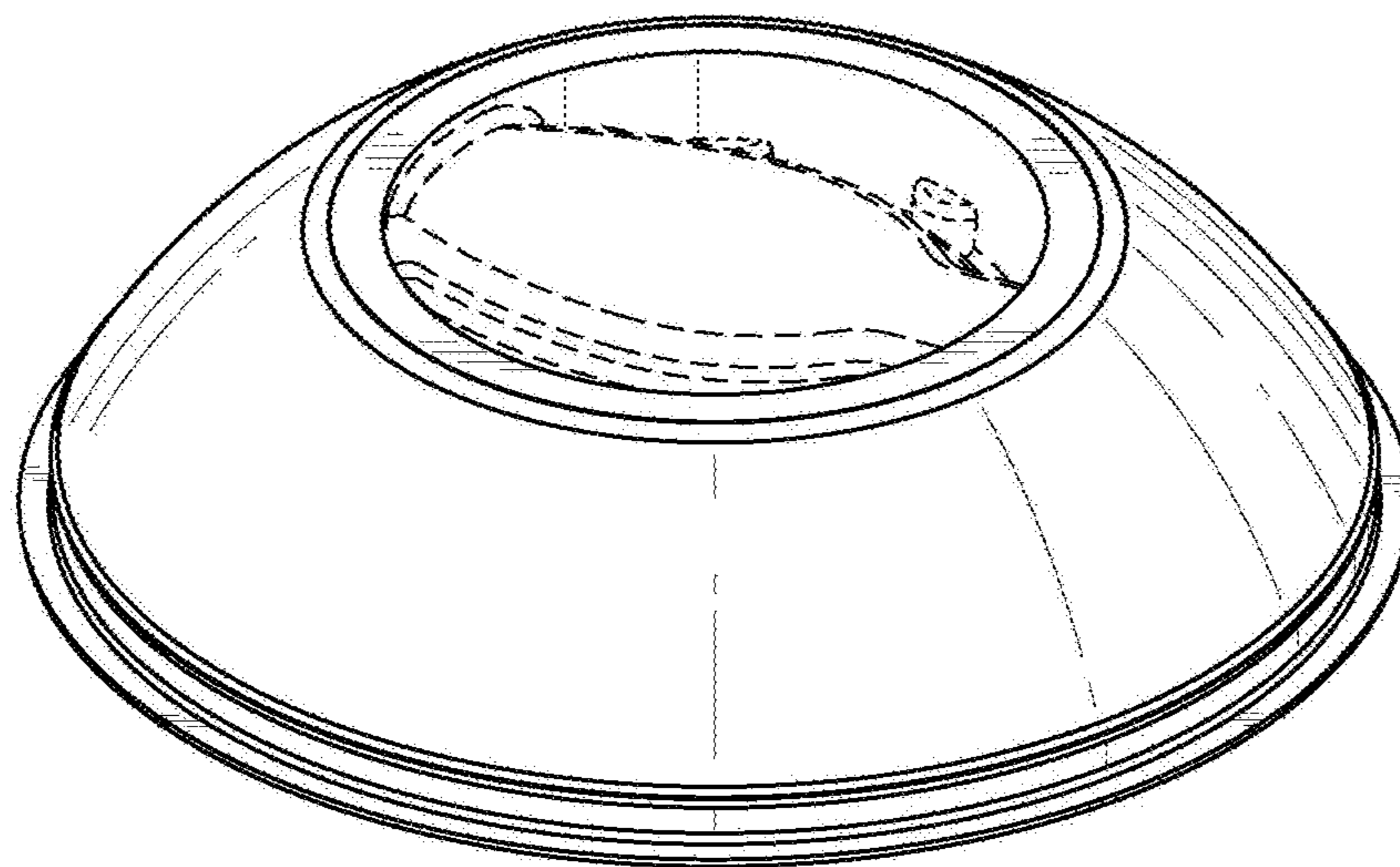
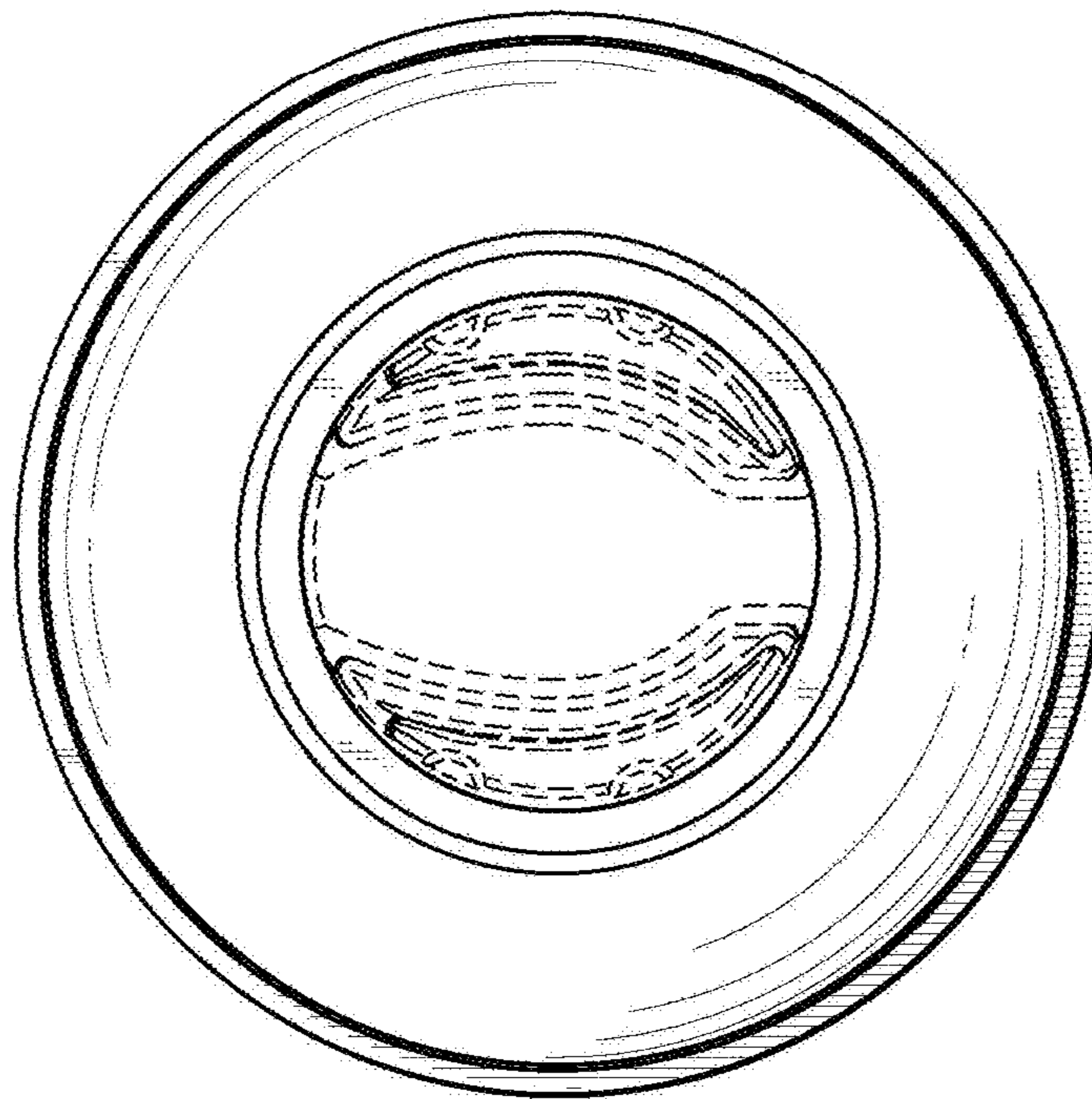


FIG. 2





**FIG. 3**



**FIG. 4**

