



US00D938819S

(12) **United States Design Patent** (10) **Patent No.:** **US D938,819 S**  
**De Geyter et al.** (45) **Date of Patent:** **\*\* Dec. 21, 2021**

(54) **PACKAGE FOR DETERGENT ARTICLE**

FOREIGN PATENT DOCUMENTS

(71) Applicant: **The Procter & Gamble Company**,  
Cincinnati, OH (US)

DE DM87274 8/2015

(72) Inventors: **Raf Gustaaf Alfons De Geyter**,  
Herk-de-Stad (BE); **Vincent Hubert  
Monique De Wilde**, Kessel-Lo (BE);  
**Simone Pallotto**, Etterbeek (BE);  
**Thierry Dagnelie**, Waterloo (BE)

OTHER PUBLICATIONS

[https://www.ariel.co.uk/en-gb/shop/type/pods/ariel-3in1-pods-  
original](https://www.ariel.co.uk/en-gb/shop/type/pods/ariel-3in1-pods-original), dated Sep. 6, 2018, 5 pages.

(Continued)

(73) Assignee: **The Procter & Gamble Company**,  
Cincinnati, OH (US)

*Primary Examiner* — Wan Laymon

*Assistant Examiner* — Clint A Samuel

(74) *Attorney, Agent, or Firm* — Gregory S.  
Darley-Emerson

(\*\*) Term: **15 Years**

(57) **CLAIM**

(21) Appl. No.: **29/739,115**

The ornamental design for a package for detergent article, as  
shown and described.

(22) Filed: **Jun. 23, 2020**

**DESCRIPTION**

**Related U.S. Application Data**

(62) Division of application No. 29/650,374, filed on Jun.  
6, 2018, now Pat. No. Des. 891,243.

FIG. 1 is a perspective view of a package for a detergent  
article;

FIG. 2 is a front view thereof;

FIG. 3 is a rear view thereof;

FIG. 4 is a right side view thereof;

FIG. 5 is a left side view thereof;

FIG. 6 is a top plan view thereof;

FIG. 7 is a bottom view thereof.

(30) **Foreign Application Priority Data**

Feb. 28, 2018 (WO) ..... 6560401

(51) **LOC (13) Cl.** ..... **09-03**

(52) **U.S. Cl.**  
USPC ..... **D9/423**

(58) **Field of Classification Search**

USPC ..... D9/414, 420, 423, 428, 432, 763, 767,  
D9/770, 780; D3/201, 203.5, 900, 901,  
D3/903, 905; D7/601, 602, 900

(Continued)

FIG. 8 is a perspective view of a package for a detergent  
article in opened position;

FIG. 9 is a front view thereof;

FIG. 10 is a rear view thereof;

FIG. 11 is a right side view thereof;

FIG. 12 is a left side view thereof;

FIG. 13 is a top plan view thereof;

FIG. 14 is a bottom view thereof.

FIG. 15 is a perspective view of a package for a detergent  
article;

FIG. 16 is a front view thereof;

FIG. 17 is a rear view thereof;

FIG. 18 is a right side view thereof;

FIG. 19 is a left side view thereof;

(Continued)

(56) **References Cited**

U.S. PATENT DOCUMENTS

D285,906 S 9/1986 Tyler  
D330,161 S 10/1992 Schuh

(Continued)

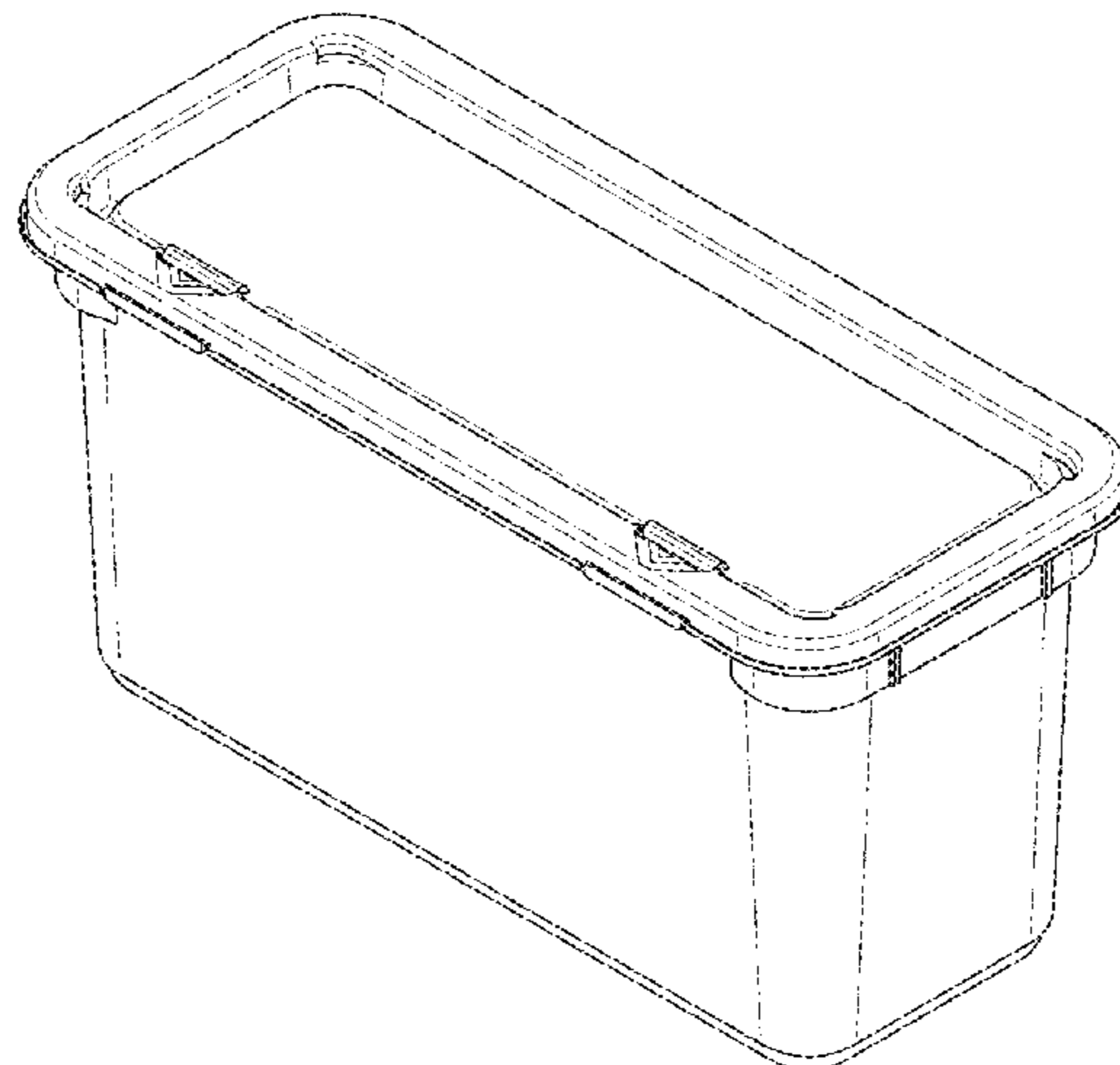


FIG. 20 is a top plan view thereof;  
 FIG. 21 is a bottom view thereof.  
 FIG. 22 is a perspective view of a package for a detergent article in opened position;  
 FIG. 23 is a front view thereof;  
 FIG. 24 is a rear view thereof;  
 FIG. 25 is a right side view thereof;  
 FIG. 26 is a left side view thereof;  
 FIG. 27 is a top plan view thereof;  
 FIG. 28 is a bottom view thereof.  
 FIG. 29 is a perspective view of a package for a detergent article;  
 FIG. 30 is a front view thereof;  
 FIG. 31 is a rear view thereof;  
 FIG. 32 is a right side view thereof;  
 FIG. 33 is a left side view thereof;  
 FIG. 34 is a top plan view thereof;  
 FIG. 35 is a bottom view thereof.  
 FIG. 36 is a perspective view of a package for a detergent article in opened position;  
 FIG. 37 is a front view thereof;  
 FIG. 38 is a rear view thereof;  
 FIG. 39 is a right side view thereof;  
 FIG. 40 is a left side view thereof;  
 FIG. 41 is a top plan view thereof;  
 FIG. 42 is a bottom view thereof.  
 FIG. 43 is a perspective view of a package for a detergent article;  
 FIG. 44 is a front view thereof;  
 FIG. 45 is a rear view thereof;  
 FIG. 46 is a right side view thereof;  
 FIG. 47 is a left side view thereof;  
 FIG. 48 is a top plan view thereof;  
 FIG. 49 is a bottom view thereof.  
 FIG. 50 is a perspective view of a package for a detergent article in opened position;  
 FIG. 51 is a front view thereof;  
 FIG. 52 is a rear view thereof;  
 FIG. 53 is a right side view thereof;  
 FIG. 54 is a left side view thereof;  
 FIG. 55 is a top plan view thereof; and,  
 FIG. 56 is a bottom view thereof.  
 The broken lines shown in the drawings are included for the purpose of illustrating unclaimed portions of the package for detergent article and form no part of the claimed design.

**1 Claim, 56 Drawing Sheets**

(58) **Field of Classification Search**

CPC ... B65D 1/10; B65D 1/12; B65D 1/14; B65D 1/15; B65D 1/16; B65D 1/18; B65D 1/22; B65D 1/165; B65D 25/00; B65D 43/02; B65D 43/14; B65D 43/162; B65D

43/163; B65D 43/164; B65D 81/02; B65D 81/3813; B65D 21/0234

See application file for complete search history.

(56)

**References Cited**

U.S. PATENT DOCUMENTS

D416,794 S	11/1999	Cormack	
D421,901 S	3/2000	Hill	
6,609,633 B1	8/2003	Dyble et al.	
D489,530 S *	5/2004	Lindsay .....	D3/273
D510,802 S	10/2005	Sagol	
D601,386 S	10/2009	Carlson	
D612,722 S	3/2010	Bougoulas et al.	
7,735,674 B2 *	6/2010	Cai .....	B65D 43/0254 220/324
D632,559 S	2/2011	Georgiadis	
D634,970 S	3/2011	Pallotto	
D654,693 S	2/2012	Freeman	
D655,578 S	3/2012	Samartgis	
D664,425 S	7/2012	Krupa	
D692,297 S	10/2013	Wintmolders et al.	
D694,062 S	11/2013	Andres et al.	
D694,575 S	12/2013	Andres et al.	
D694,616 S	12/2013	Prevost	
D696,110 S	12/2013	Bergbohm	
D696,559 S	12/2013	Song	
D712,703 S	9/2014	Lipinski et al.	
D715,645 S	10/2014	Bergbohm	
D732,385 S *	6/2015	Bouveret .....	D9/425
D745,826 S	12/2015	De Tavares Duarte Nogueira	
D766,715 S	9/2016	Buck	
D785,940 S	5/2017	Reed	
D787,275 S	5/2017	Carlson	
D812,896 S	3/2018	Hutzler	
D826,039 S	8/2018	Vialle et al.	
D835,984 S	12/2018	Perry et al.	
D849,405 S *	5/2019	Chen .....	D3/302
D881,568 S *	4/2020	Luburic .....	D3/273
D886,577 S	6/2020	De Geyter	
D886,601 S *	6/2020	Lucas .....	D9/428
D891,243 S *	7/2020	De Geyter .....	D9/423
10,730,670 B2 *	8/2020	Lee .....	B65D 43/0208
D900,602 S *	11/2020	Hartley .....	D9/432
D908,440 S *	1/2021	Samartgis .....	D7/602
D909,142 S *	2/2021	Hartley .....	D7/602
D913,044 S *	3/2021	Samartgis .....	D7/602
D915,150 S *	4/2021	Zeiser .....	D7/602
10,974,879 B2 *	4/2021	Luburic .....	B65D 43/22
D919,429 S *	5/2021	Timar .....	D9/428
D922,154 S *	6/2021	Zou .....	D7/629
11,077,991 B2 *	8/2021	Smith .....	B65D 43/0206
2020/0002061 A1 *	1/2020	Samartgis .....	B65D 45/20
2020/0140158 A1 *	5/2020	Austin .....	B65D 43/0249
2021/0163206 A1 *	6/2021	Huang .....	B65D 81/2038
2021/0198015 A1 *	7/2021	Kui .....	B65D 43/0239

OTHER PUBLICATIONS

All Office Actions, U.S. Appl. No. 29/650,371.  
 All Office Actions, U.S. Appl. No. 29/650,374.

\* cited by examiner

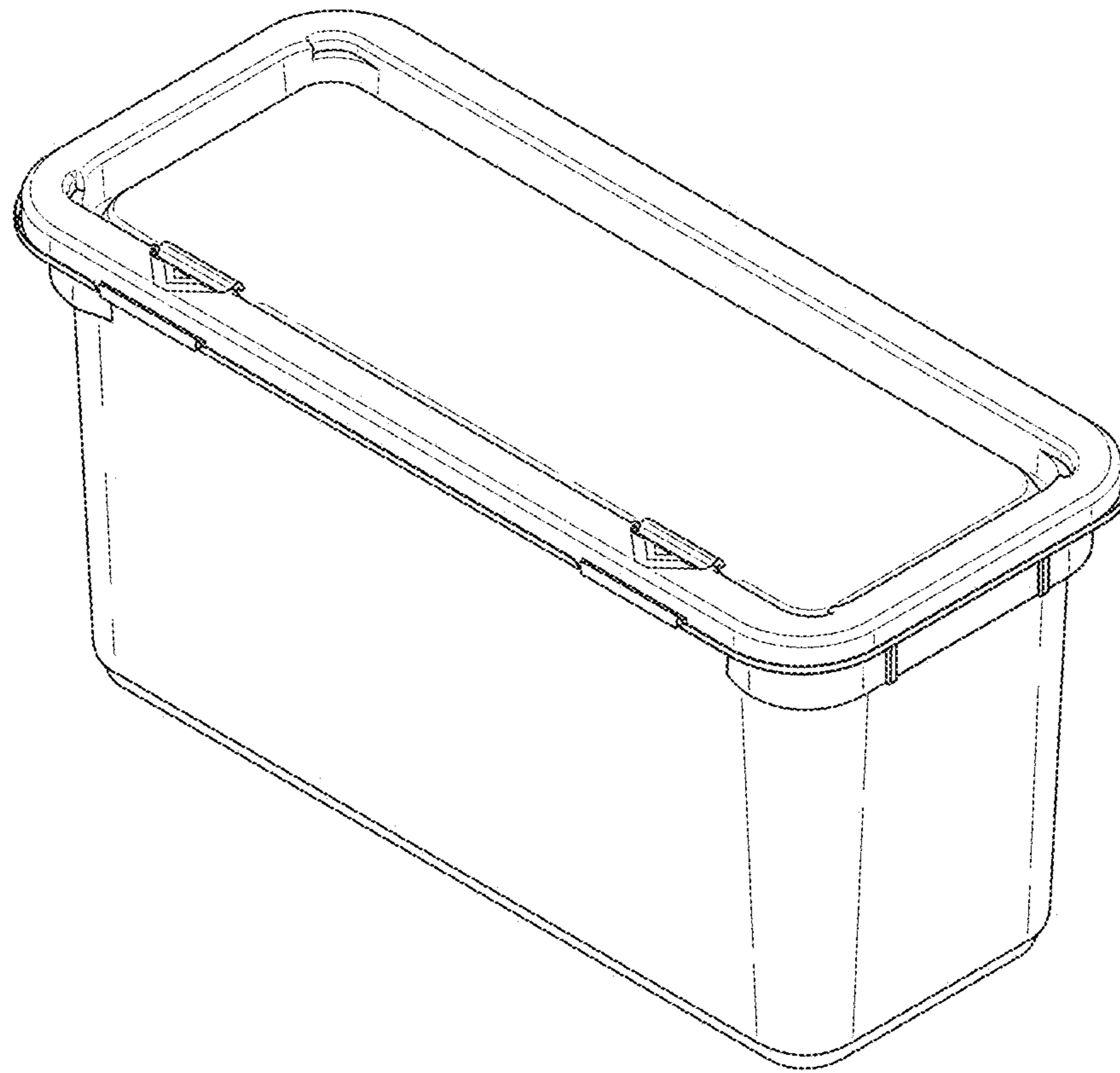


Fig. 1

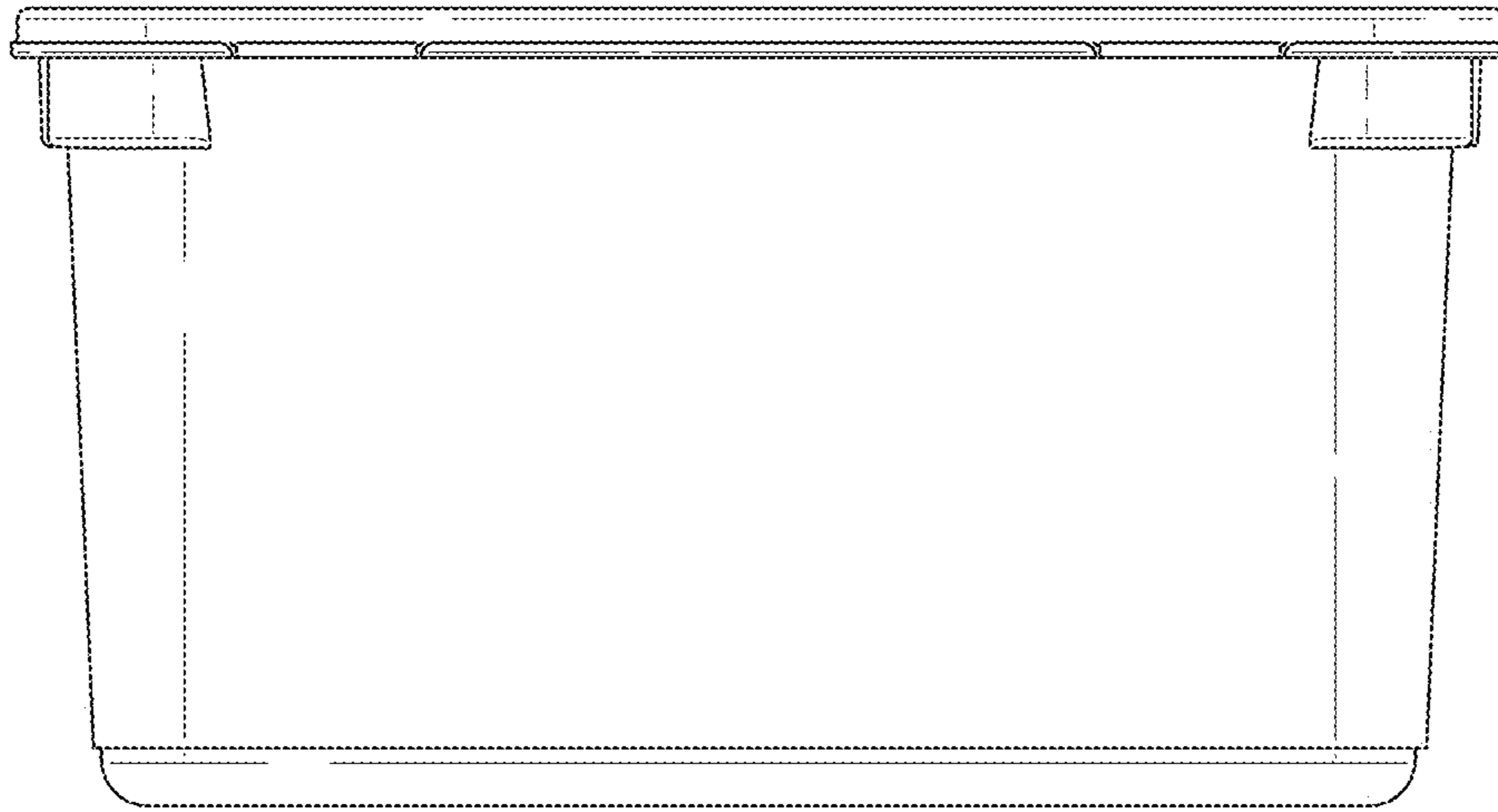


Fig. 2

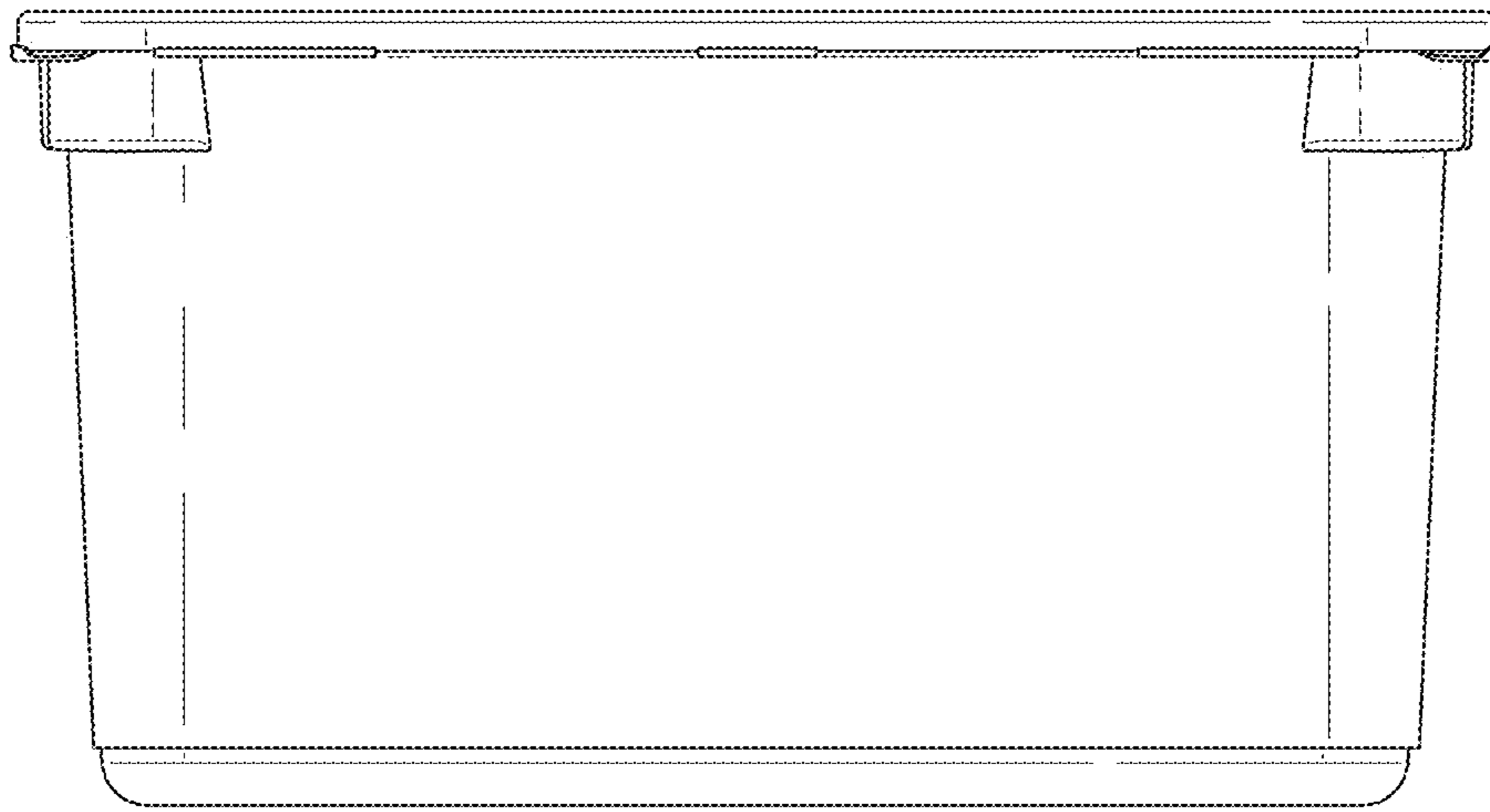


Fig. 3

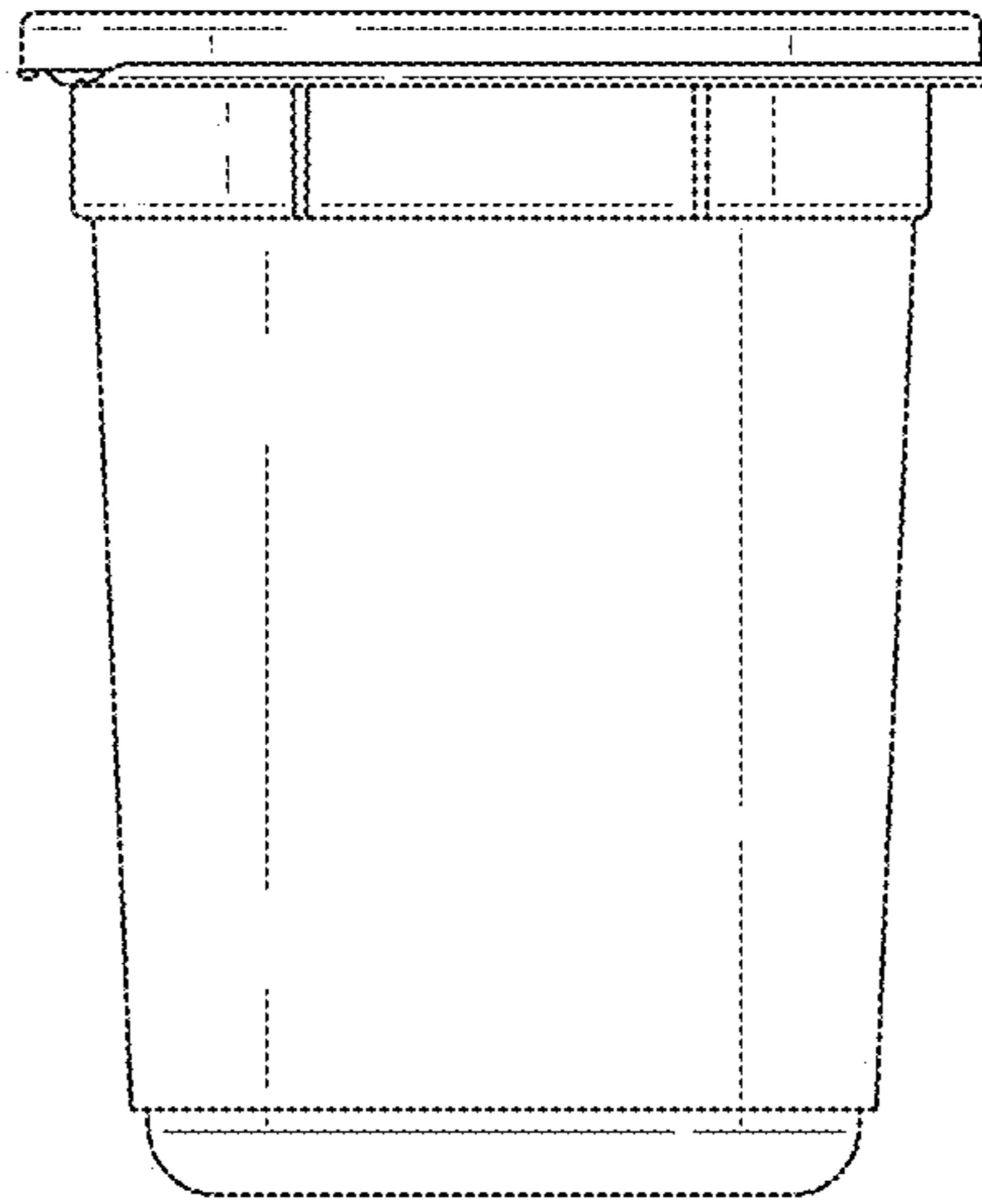


Fig. 4

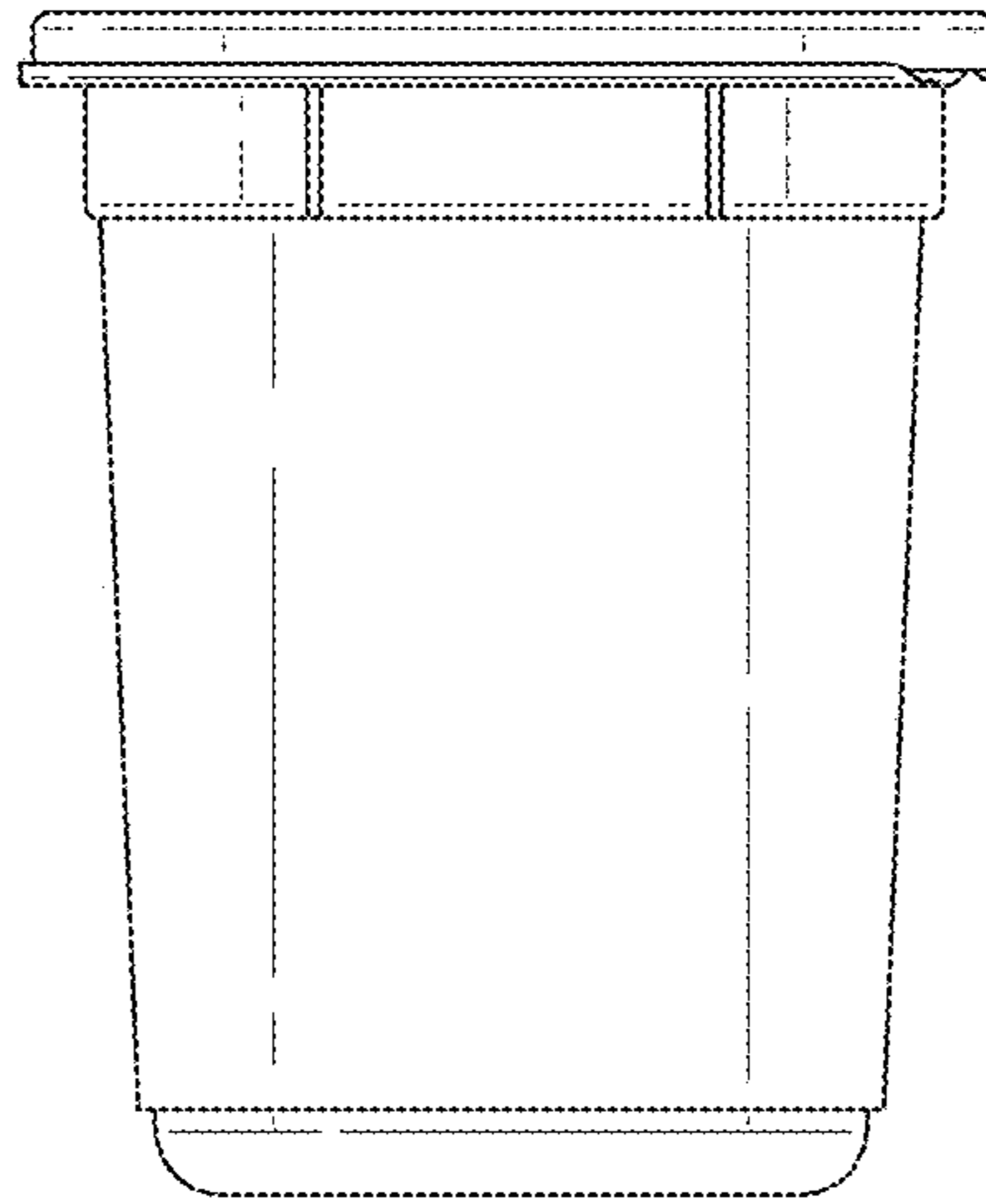


Fig. 5

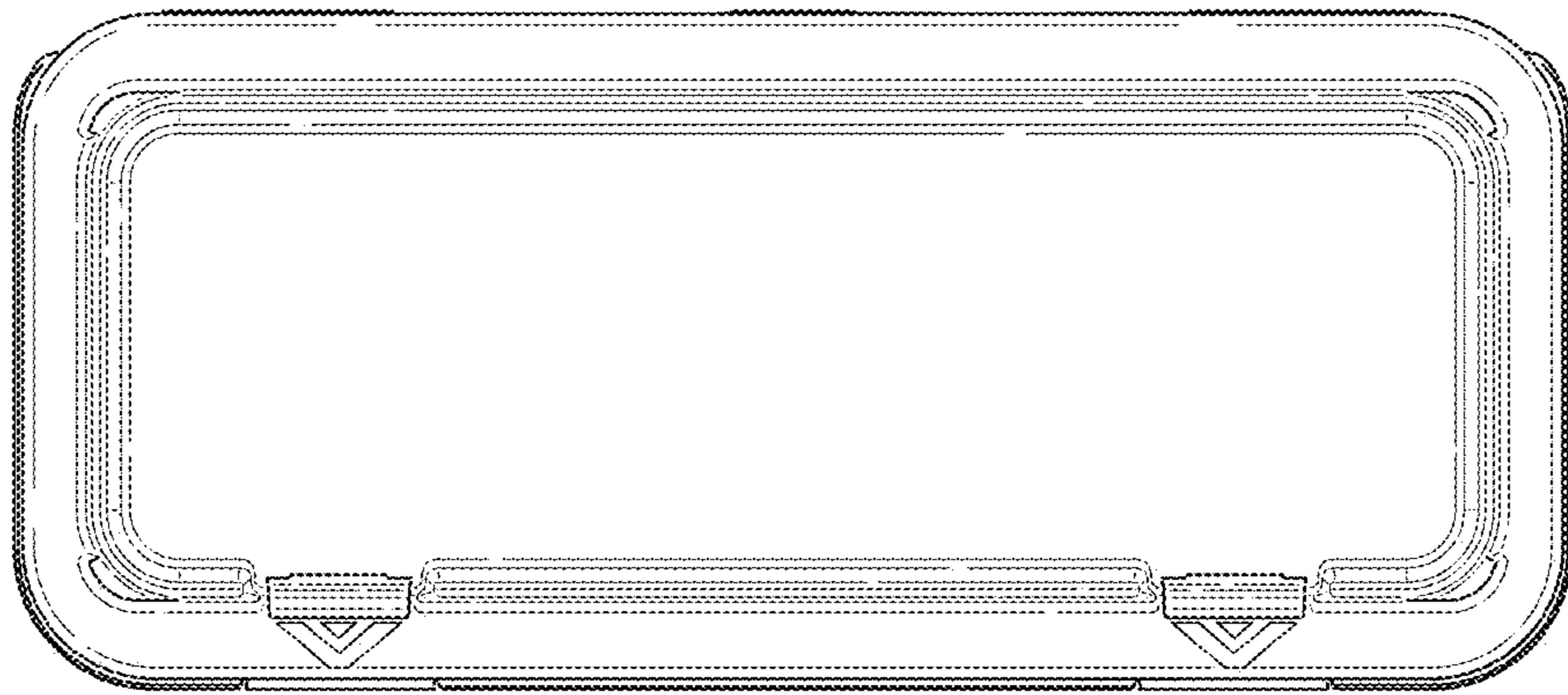


Fig. 6



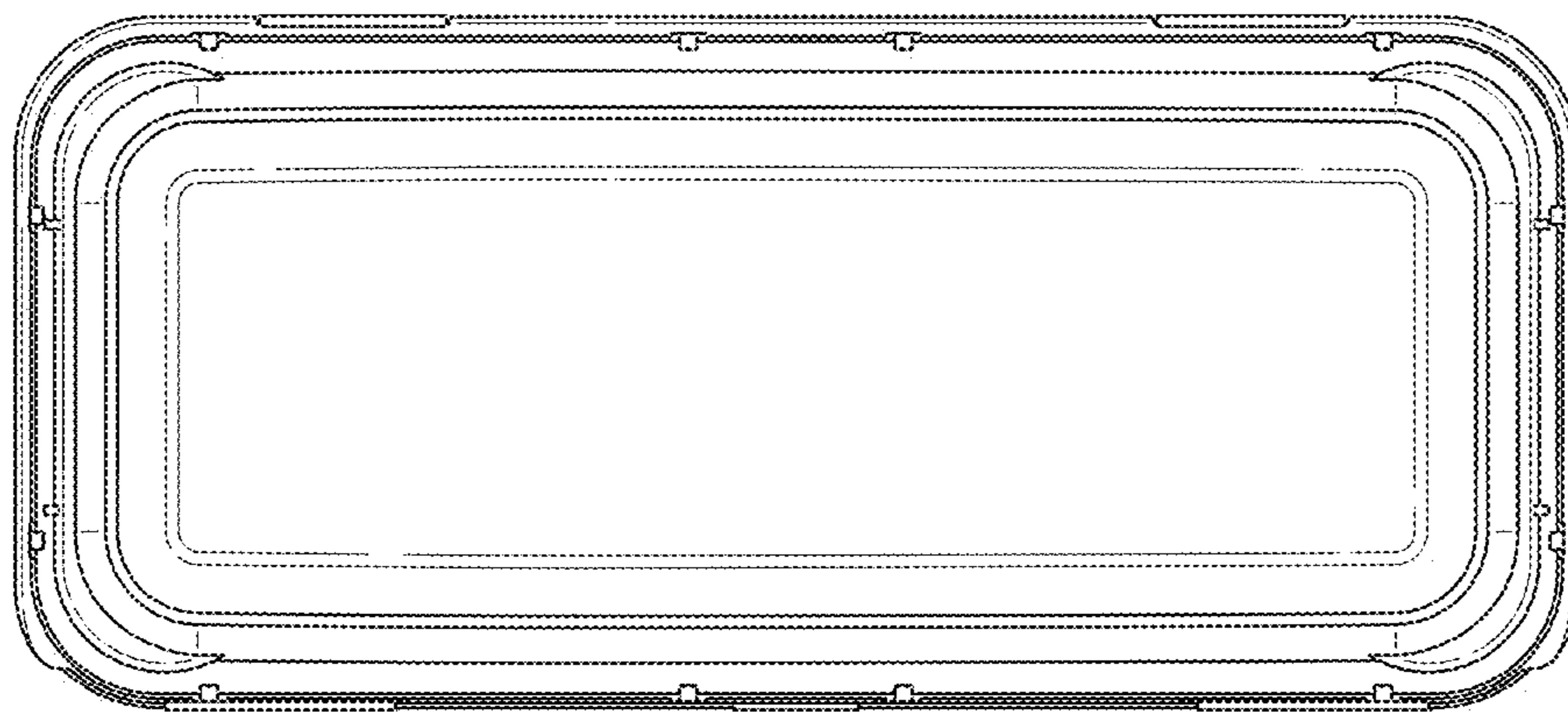


Fig. 7

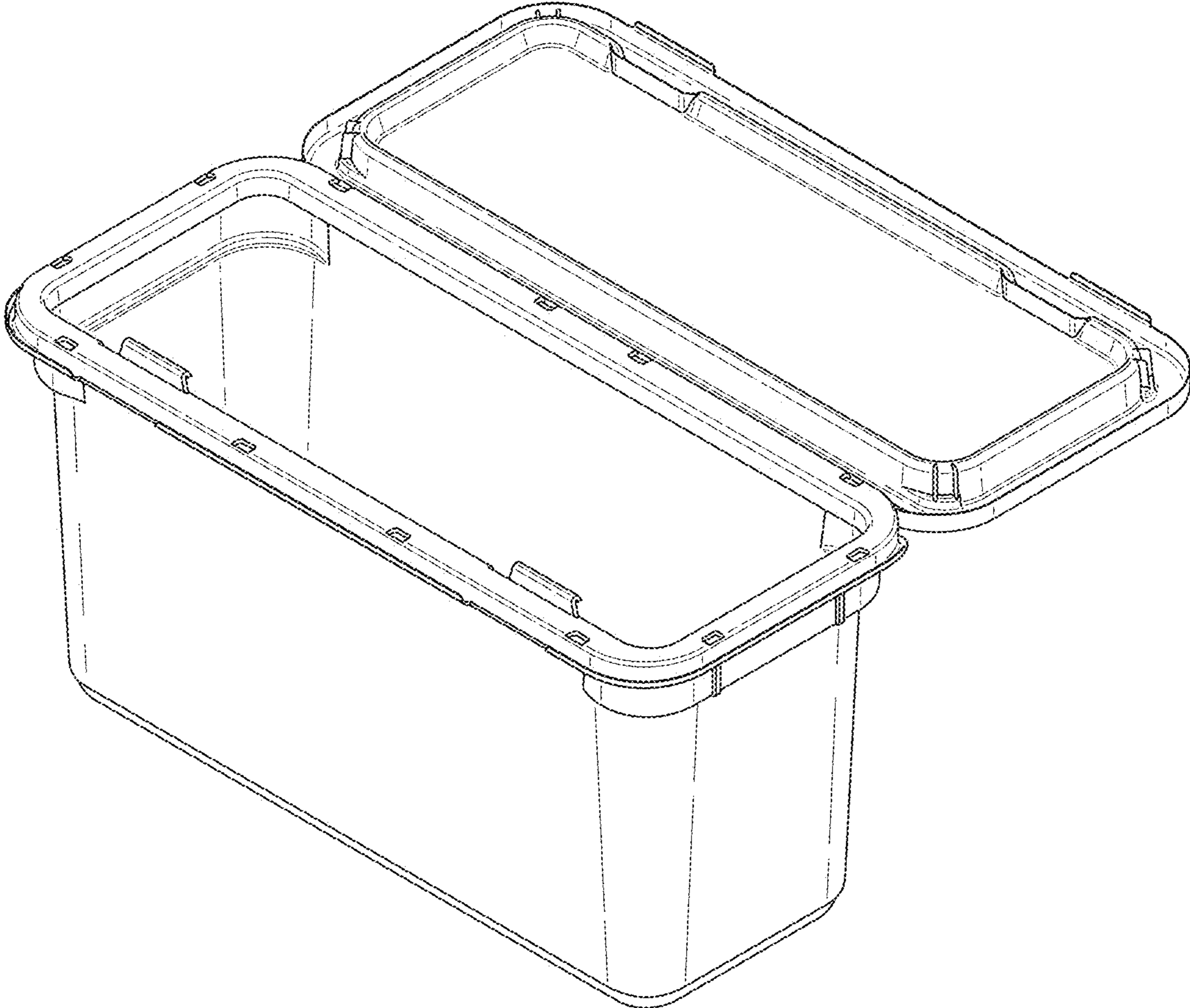


Fig. 8

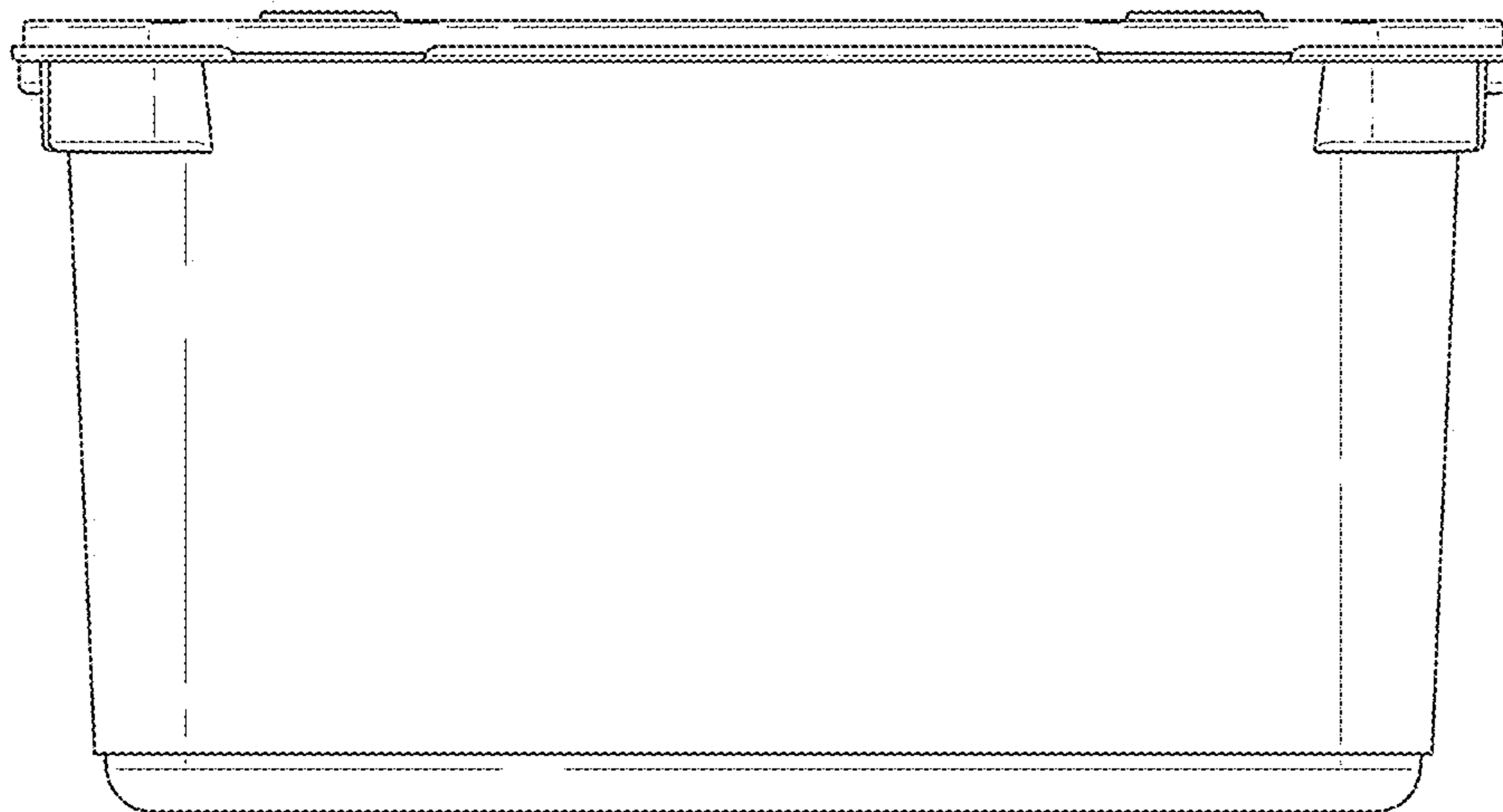


Fig. 9

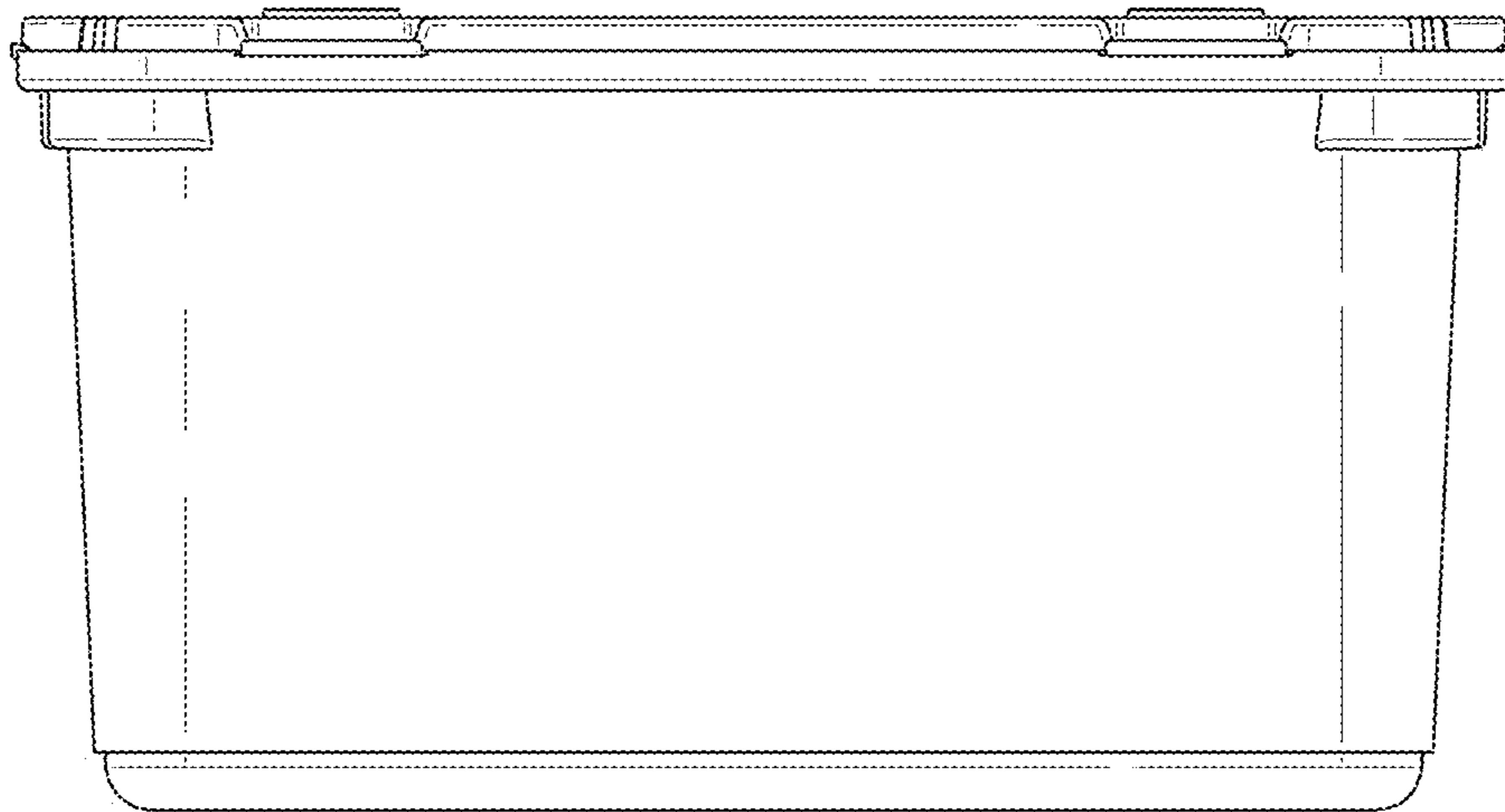


Fig. 10

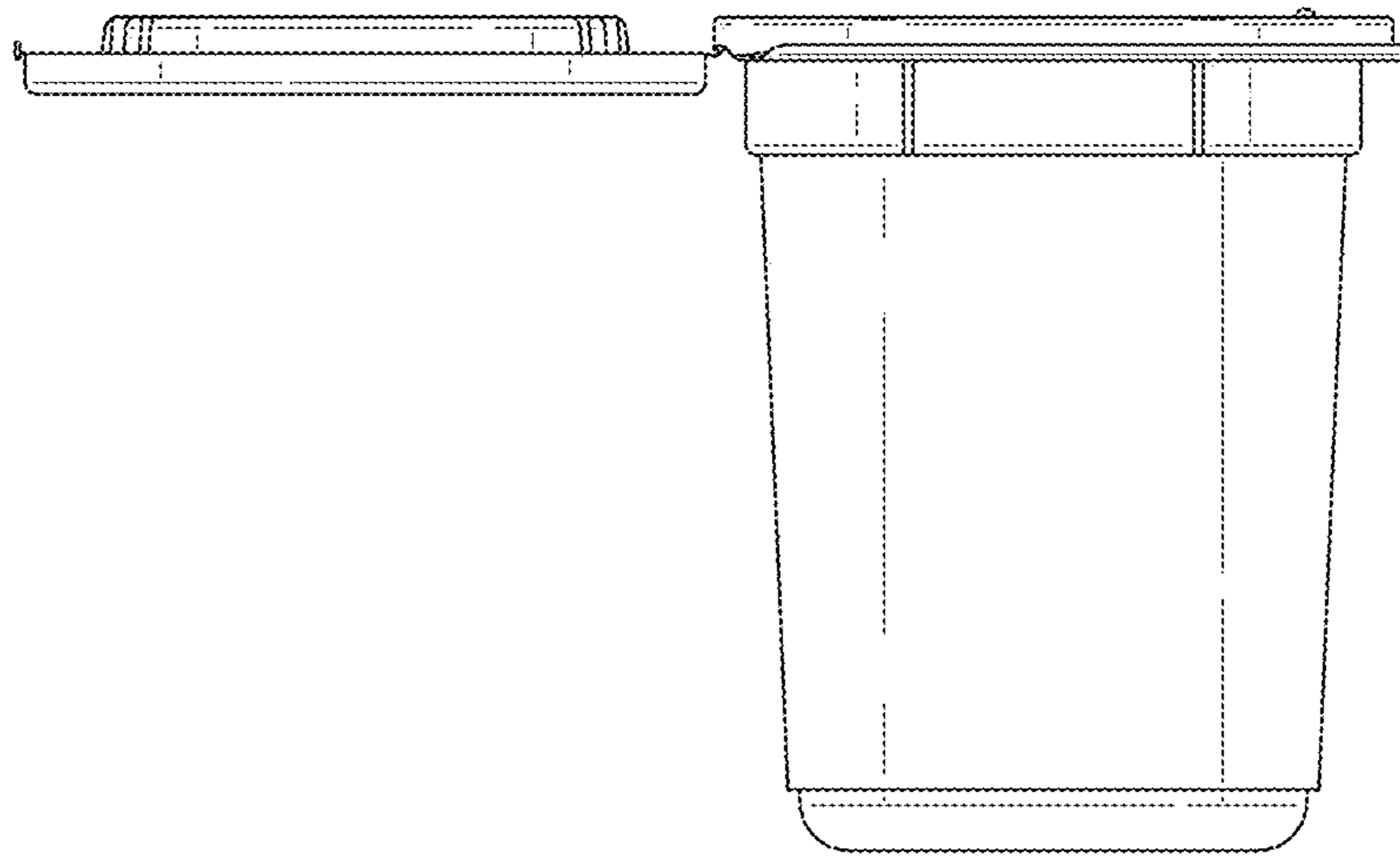


Fig. 11

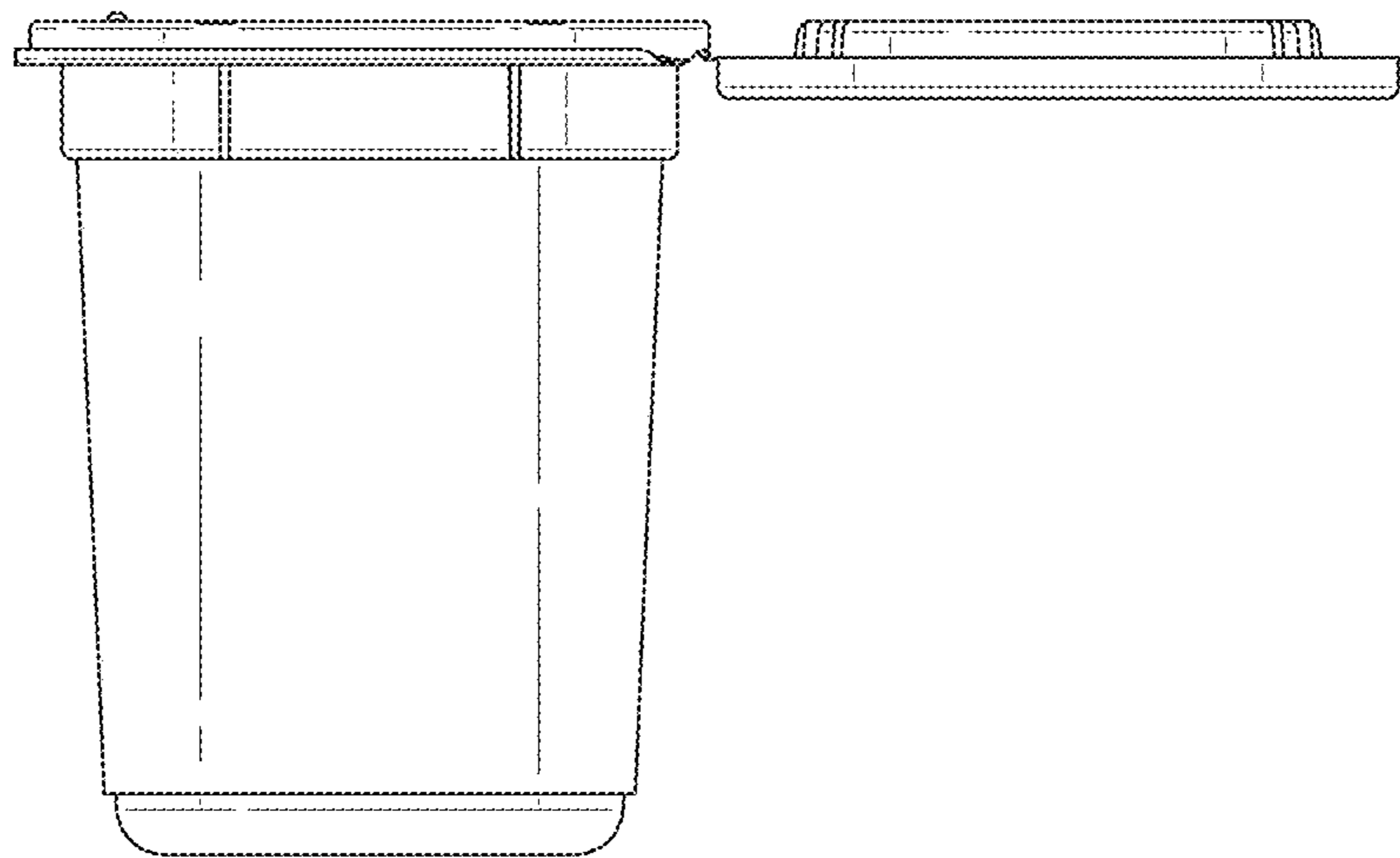


Fig. 12

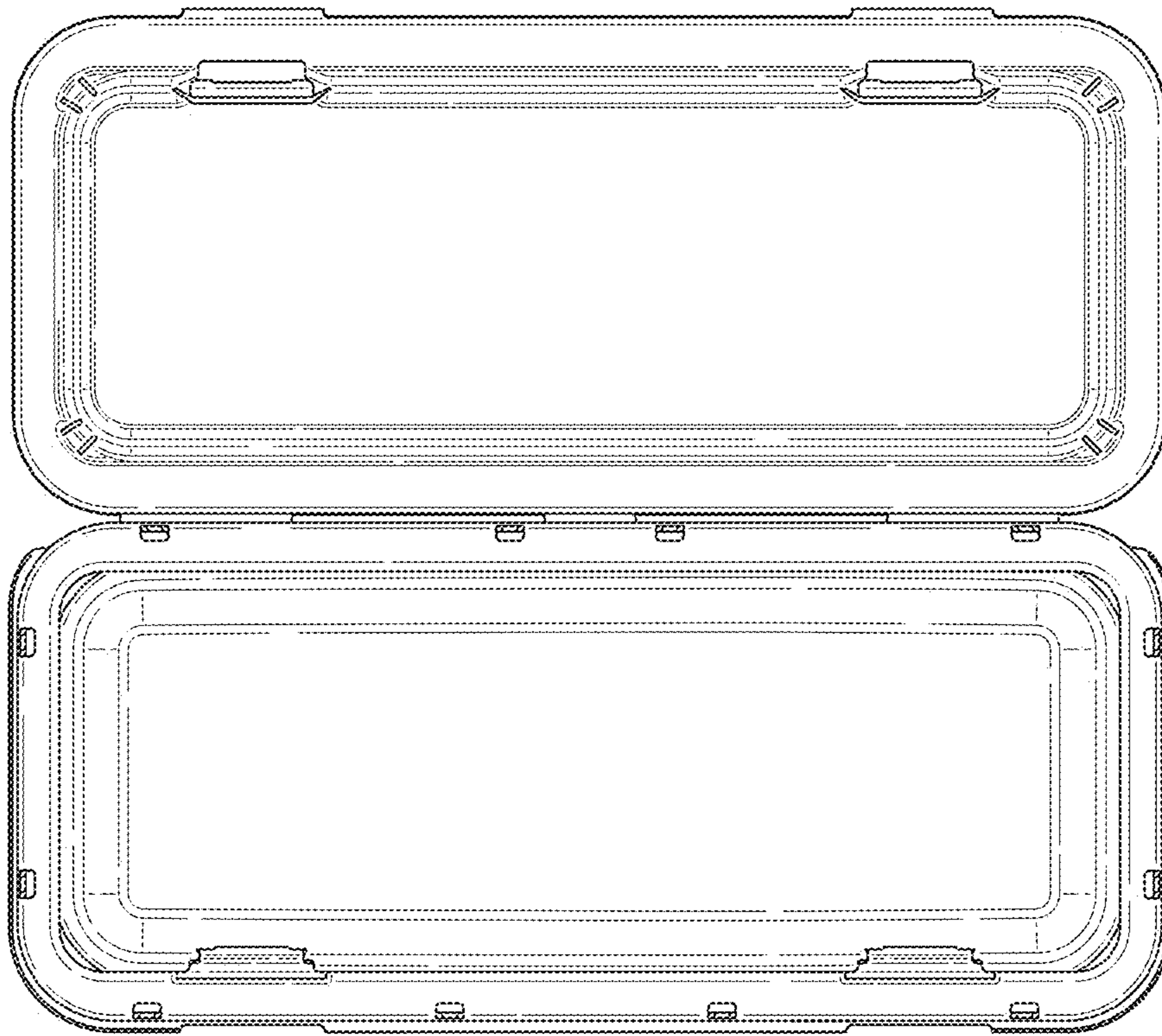


Fig. 13

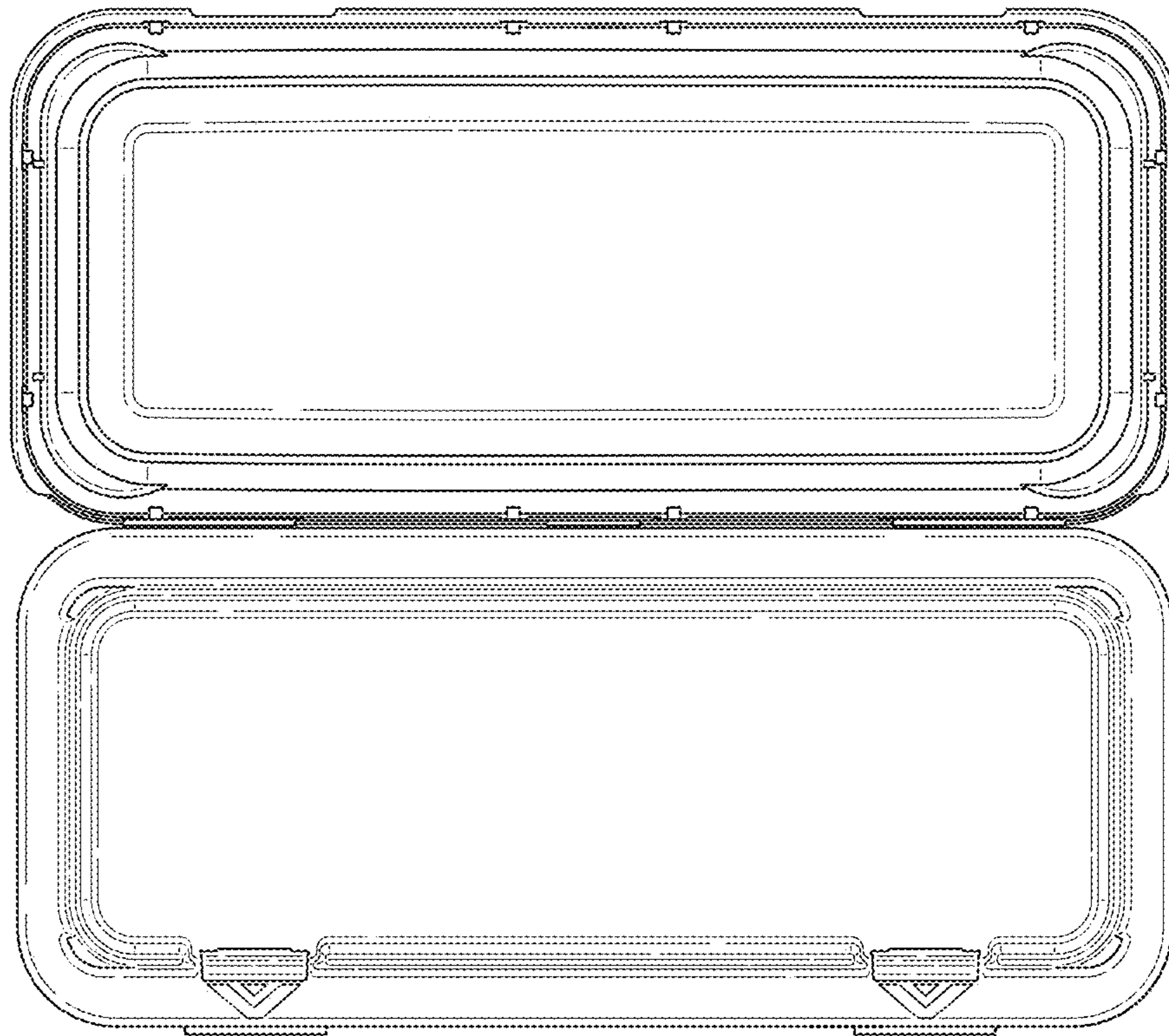


Fig. 14



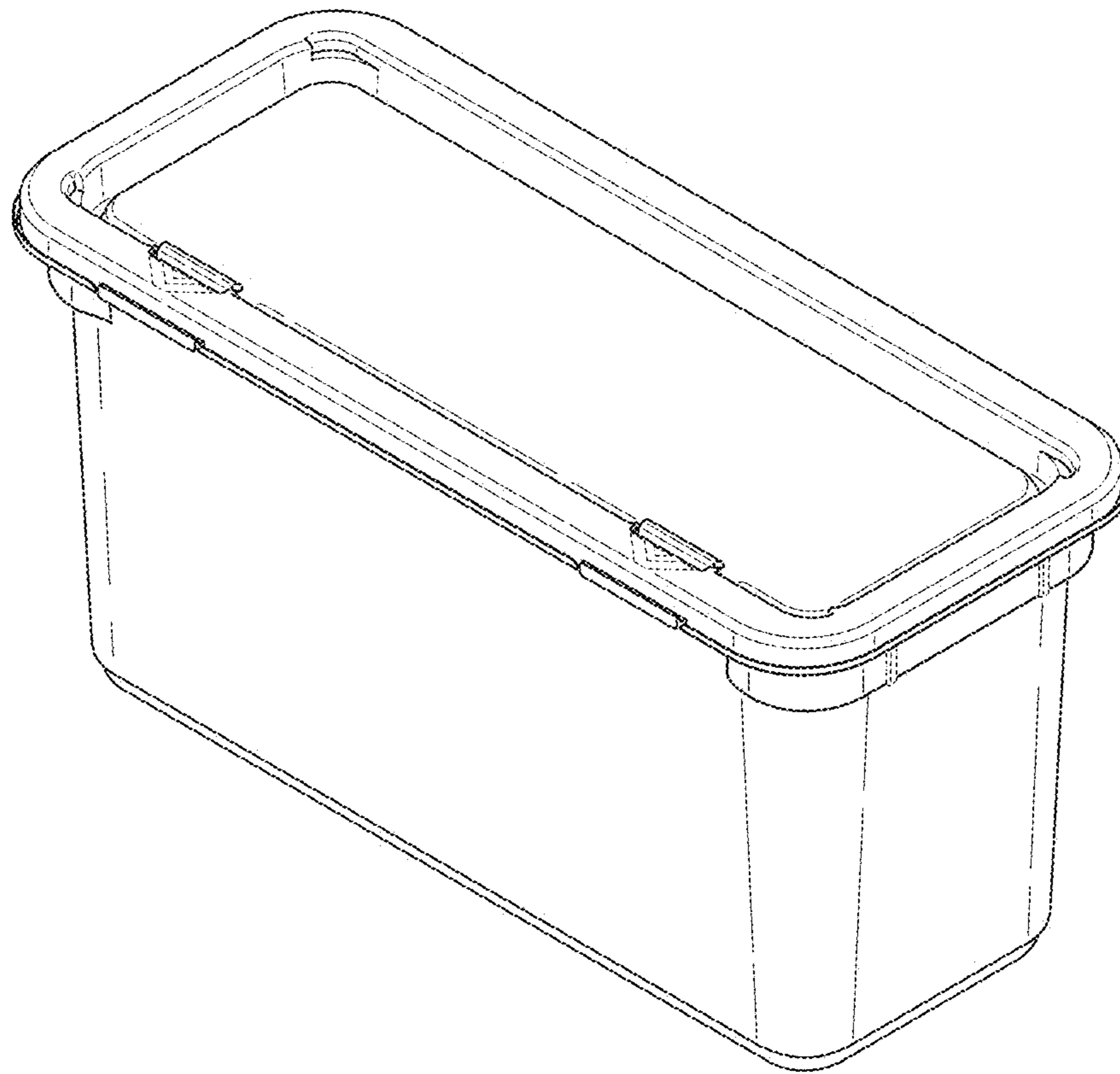


Fig. 15

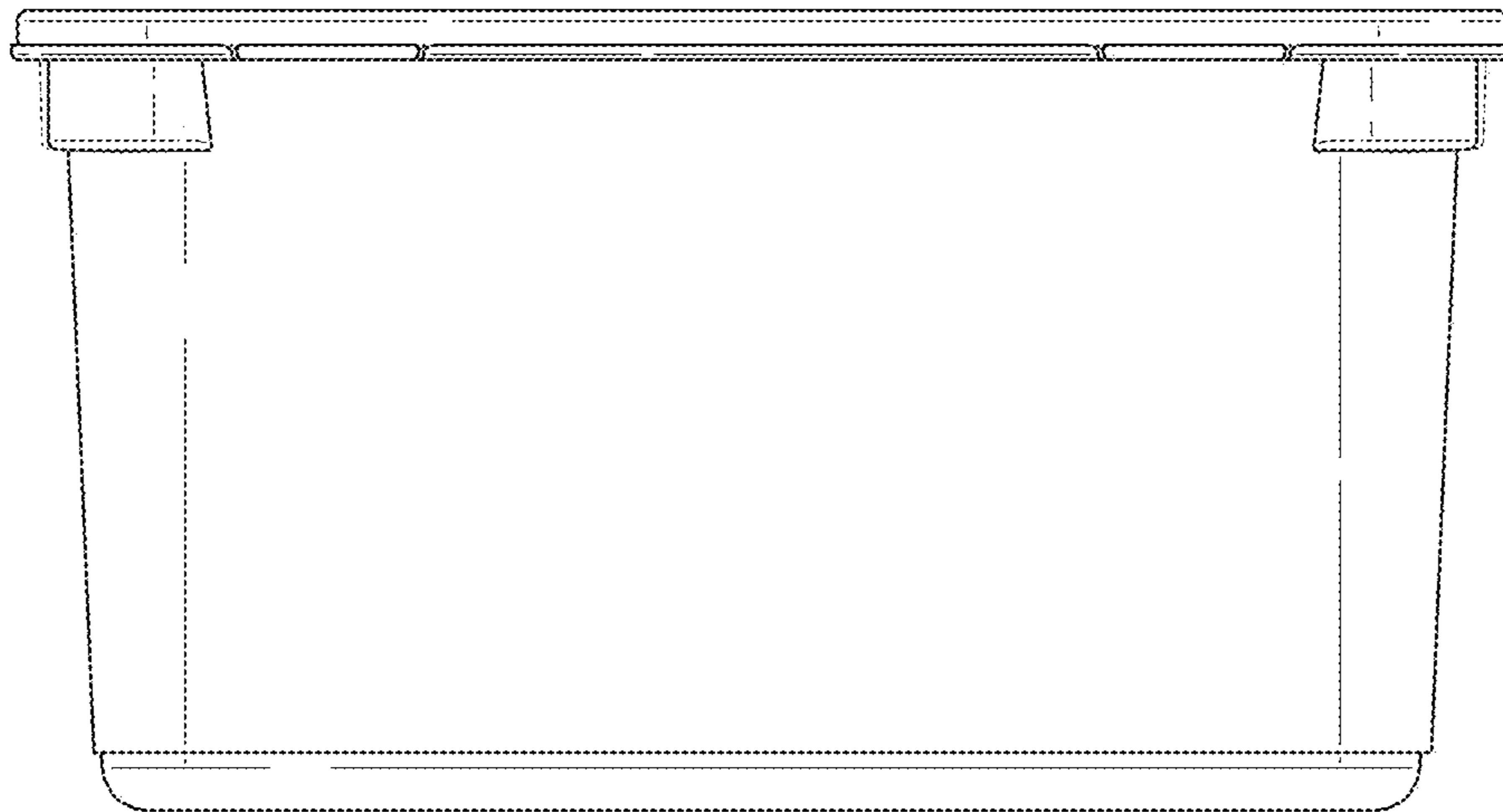


Fig. 16

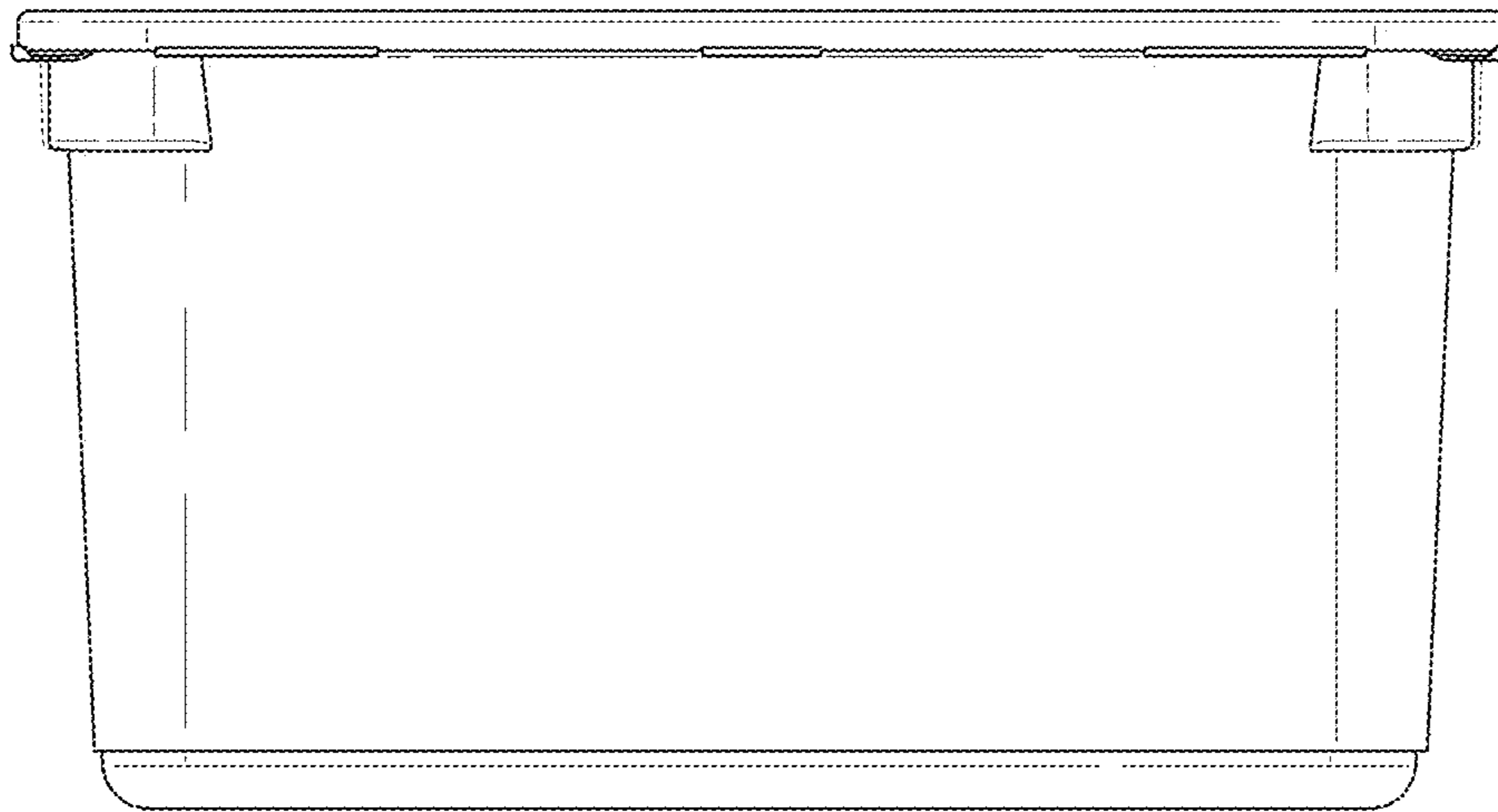


Fig. 17

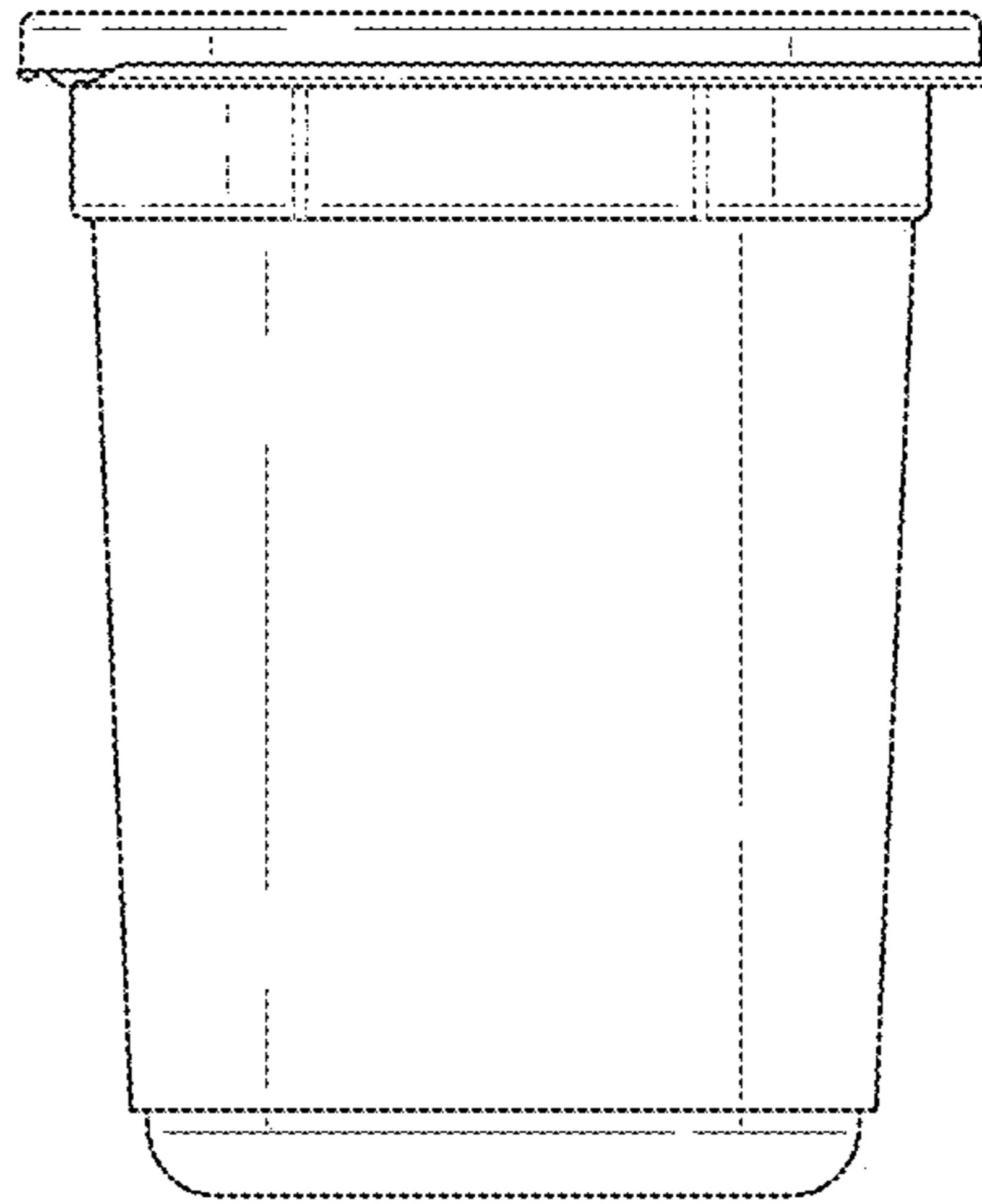


Fig. 18

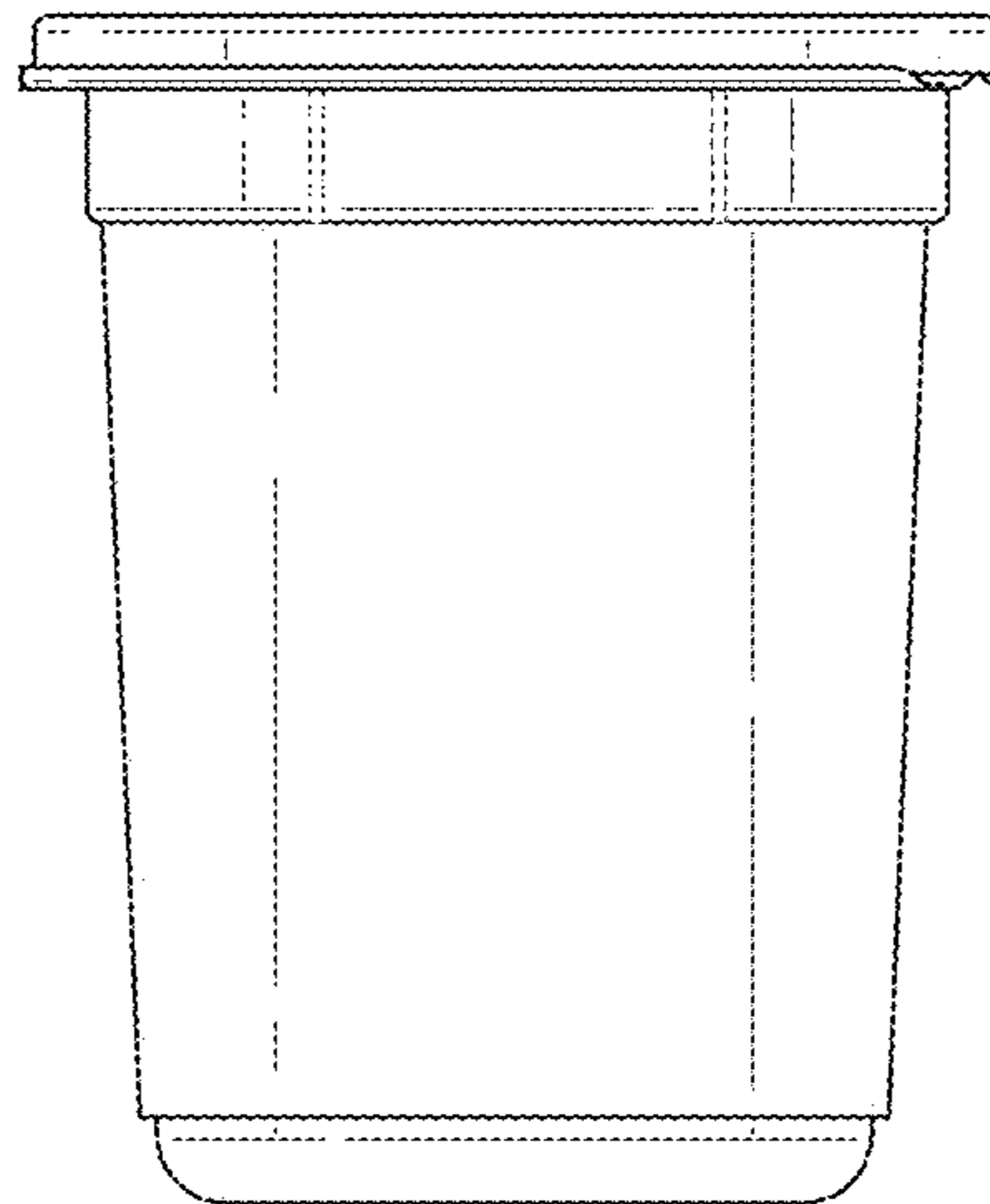


Fig. 19

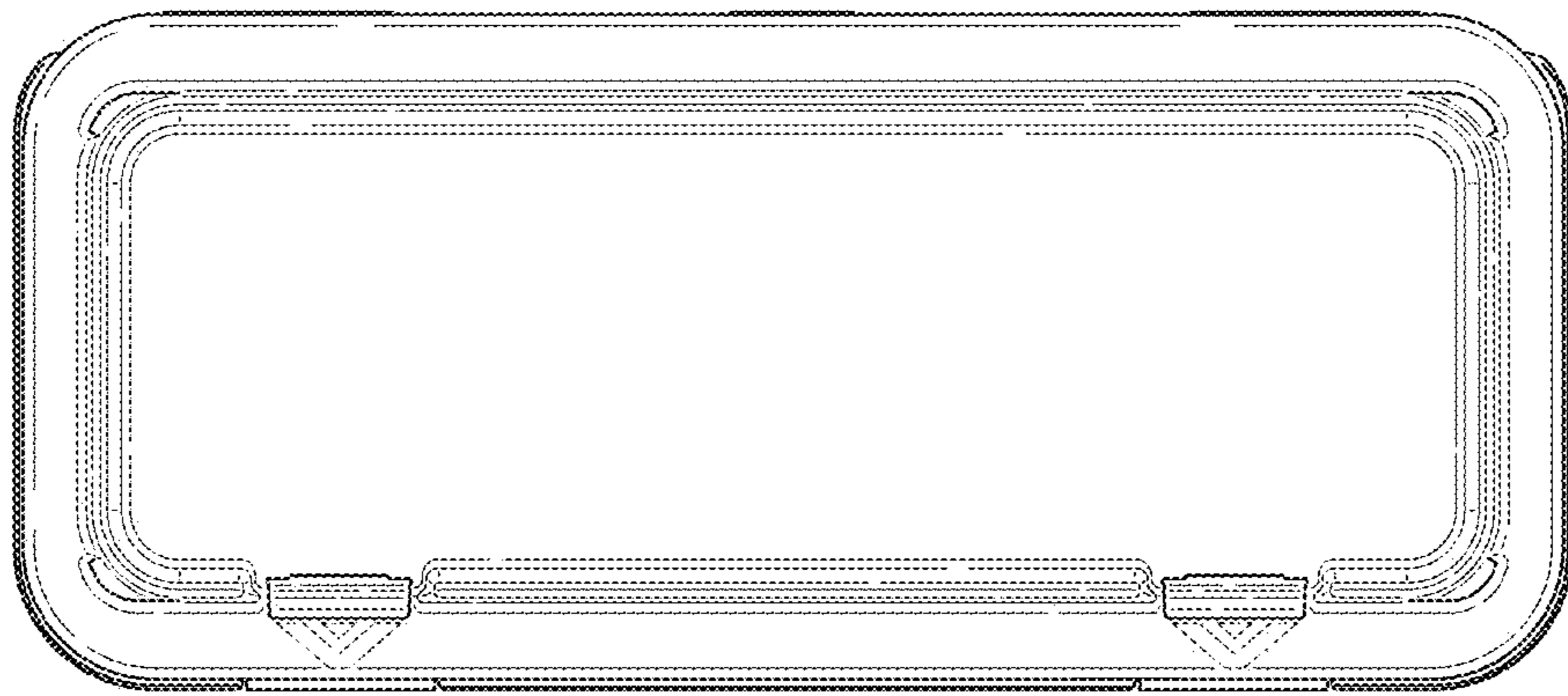


Fig. 20

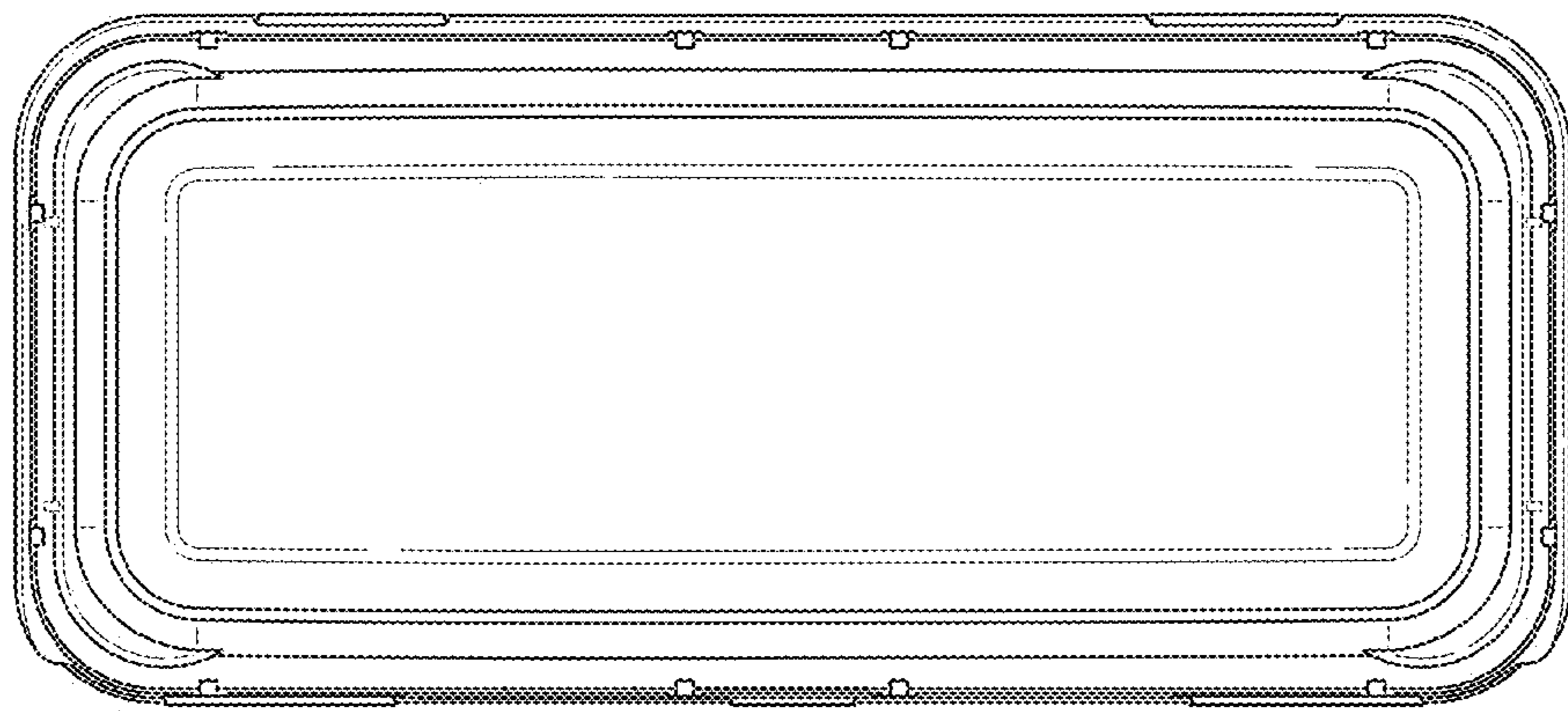


Fig. 21

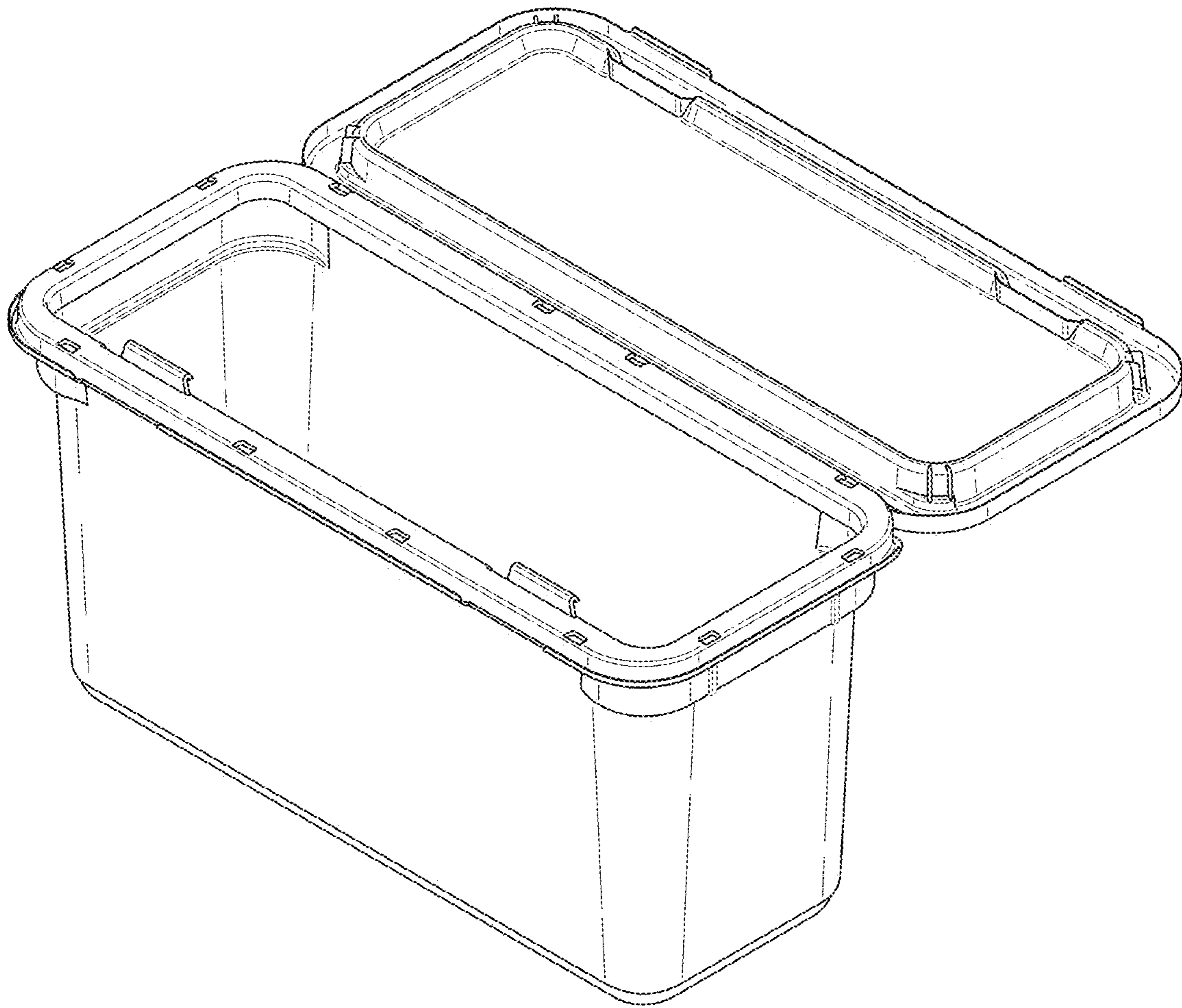


Fig. 22



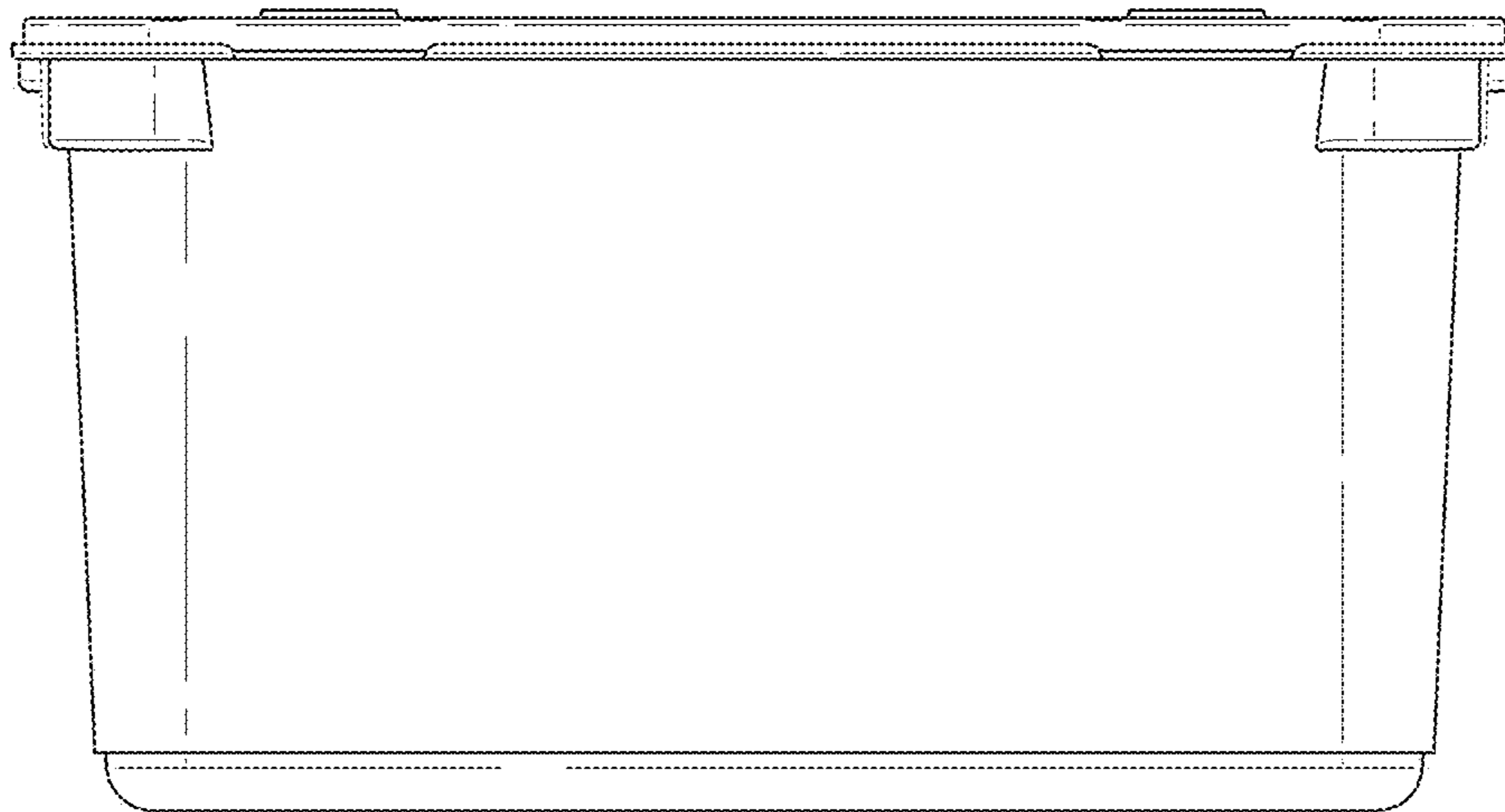


Fig. 23

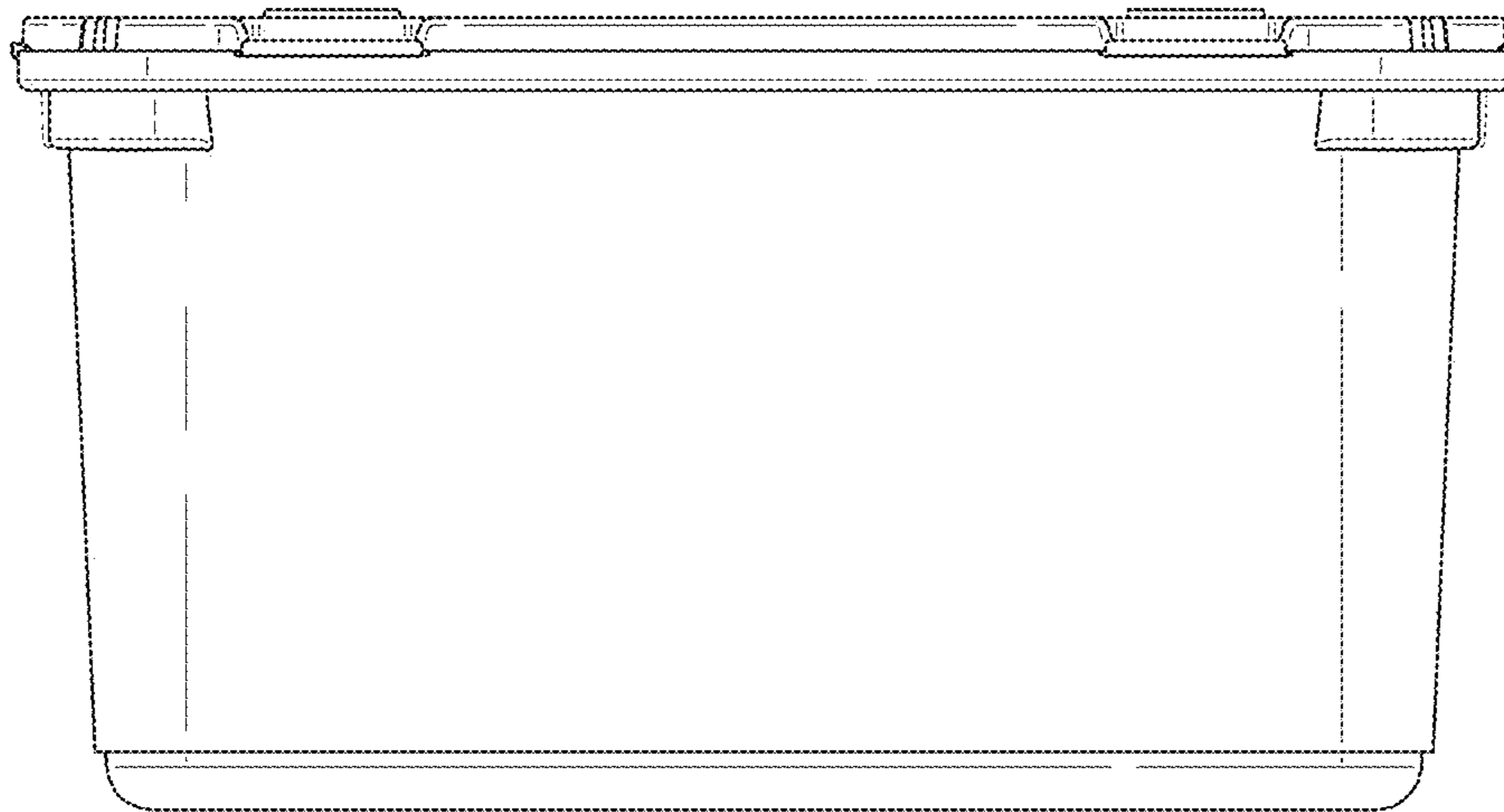


Fig. 24

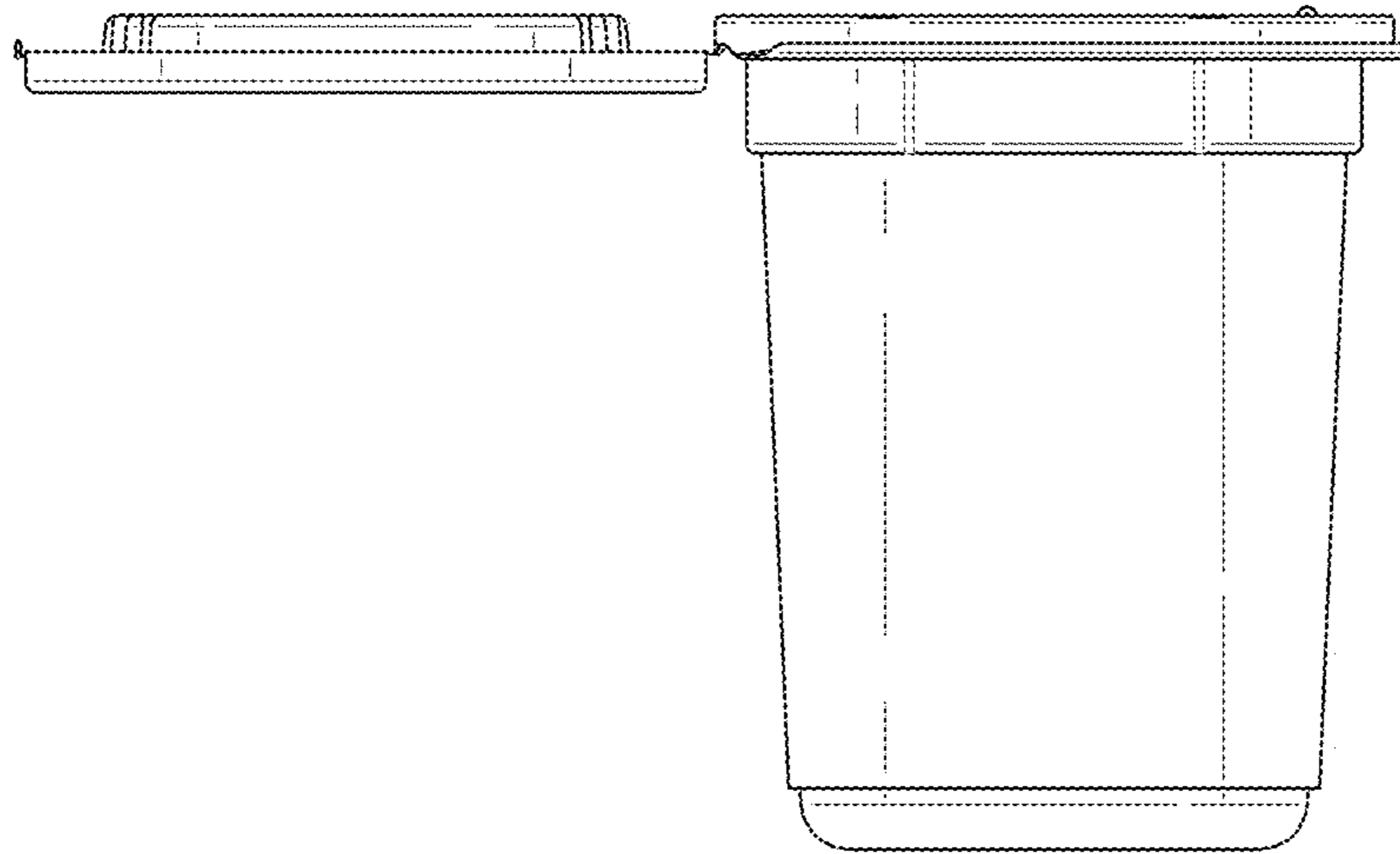


Fig. 25

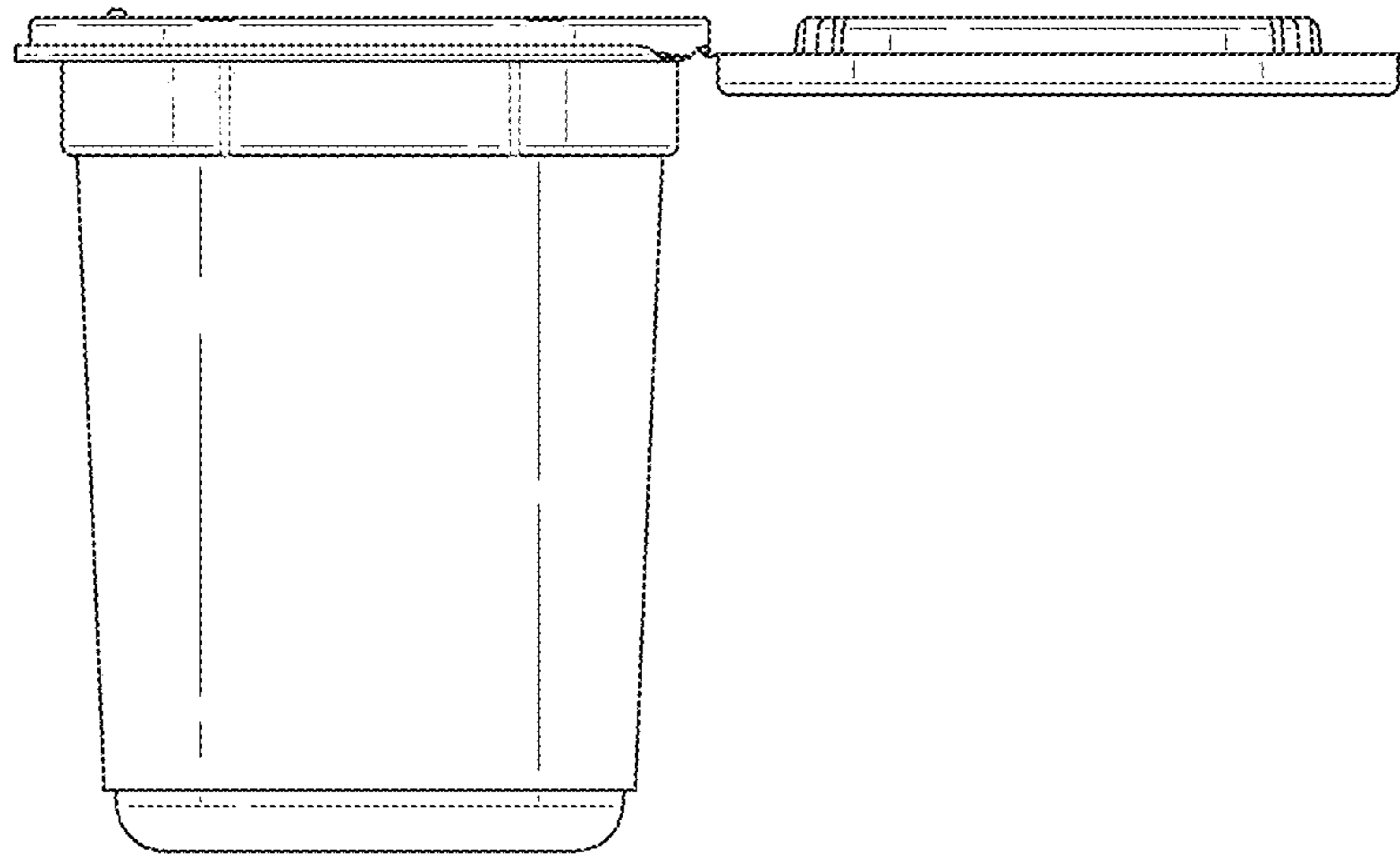


Fig. 26

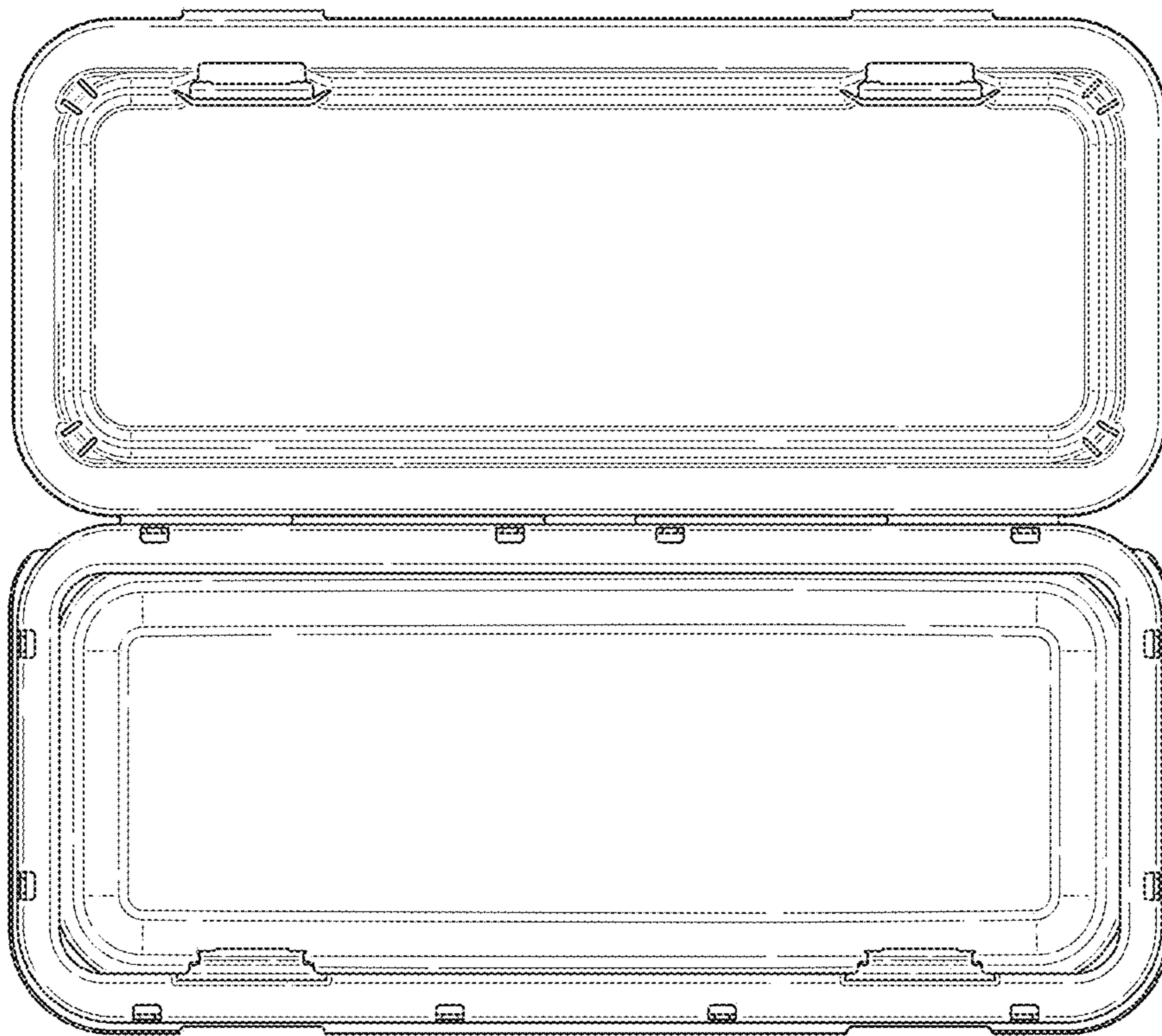


Fig. 27

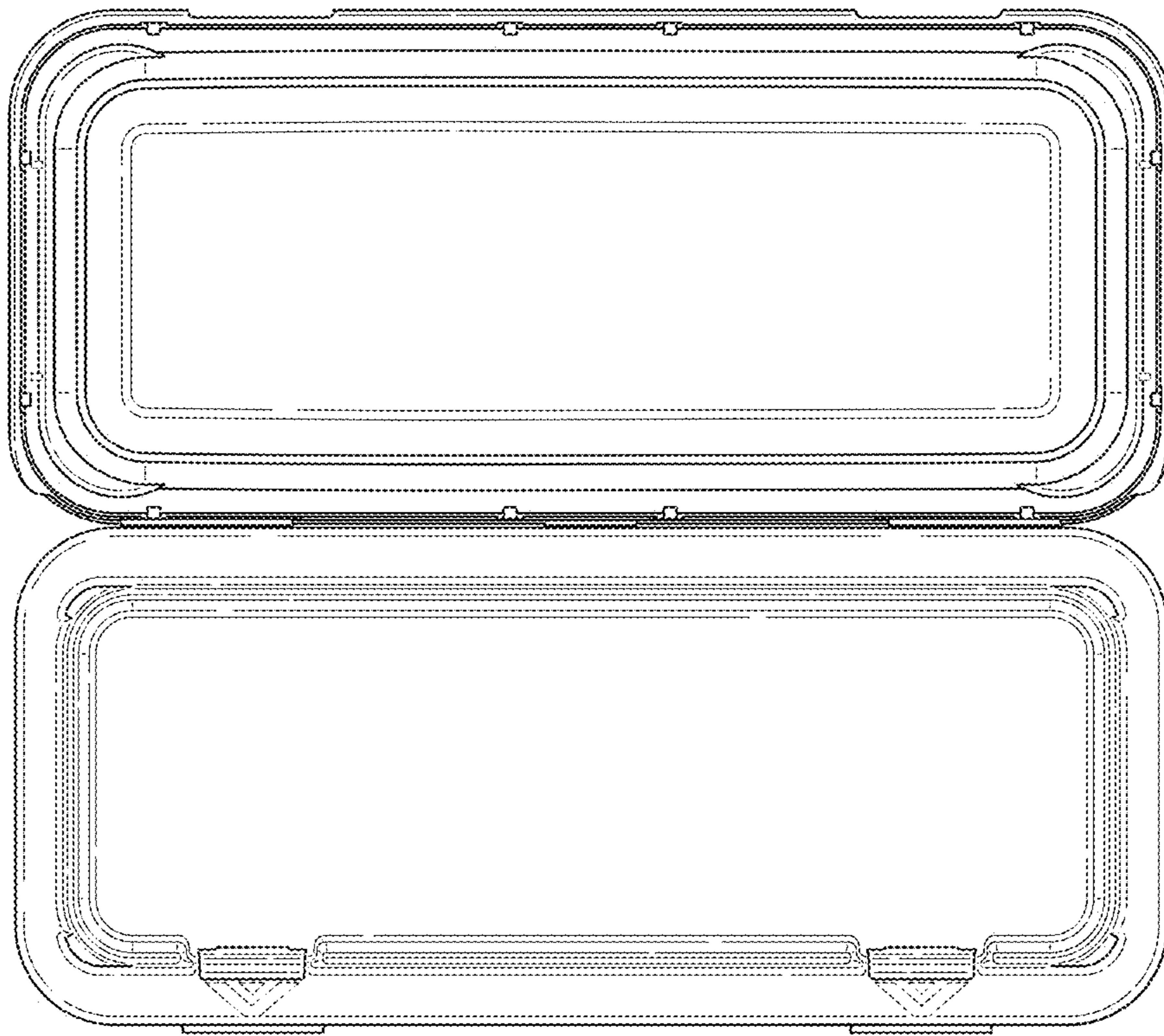


Fig. 28

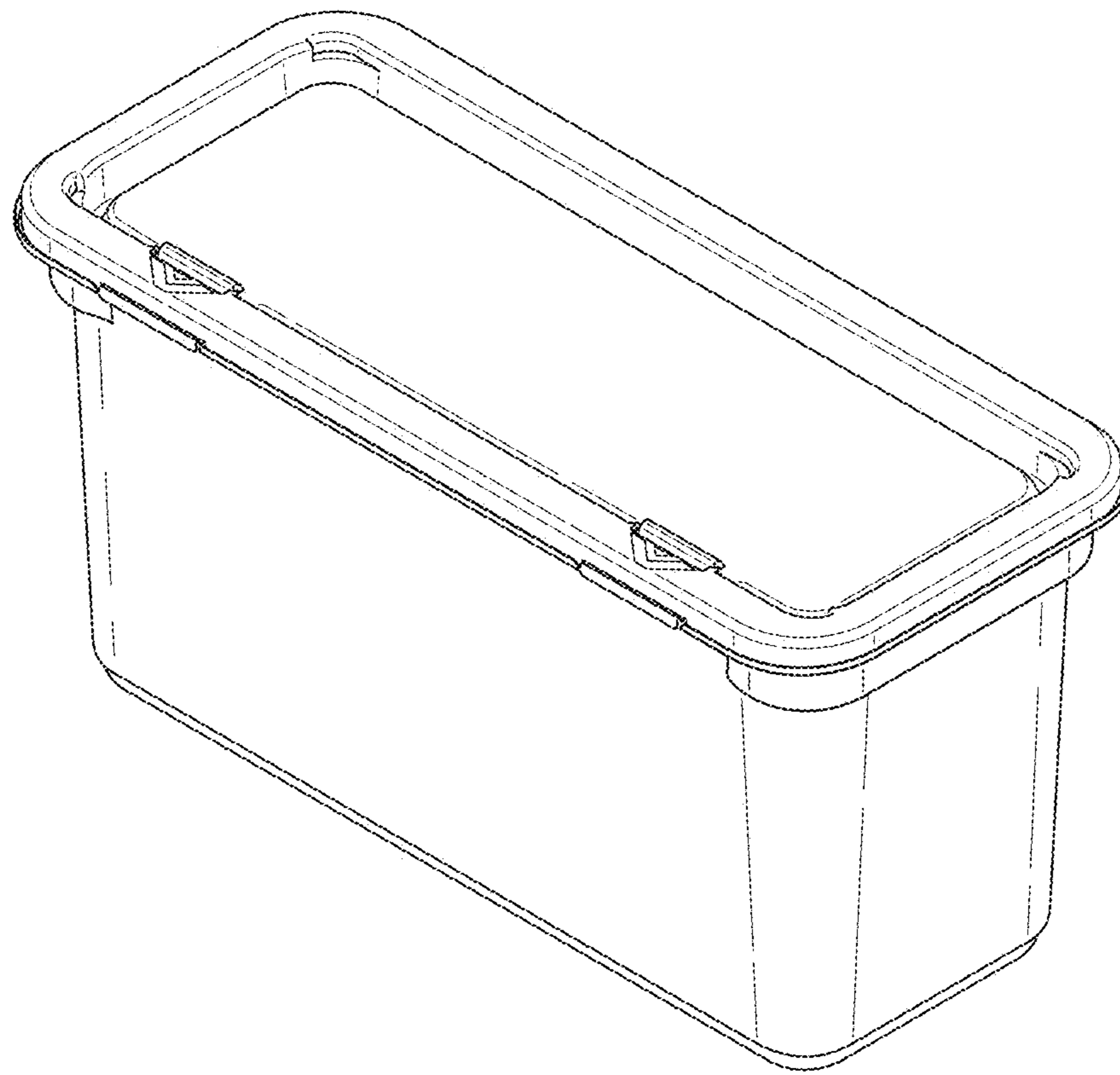


Fig. 29

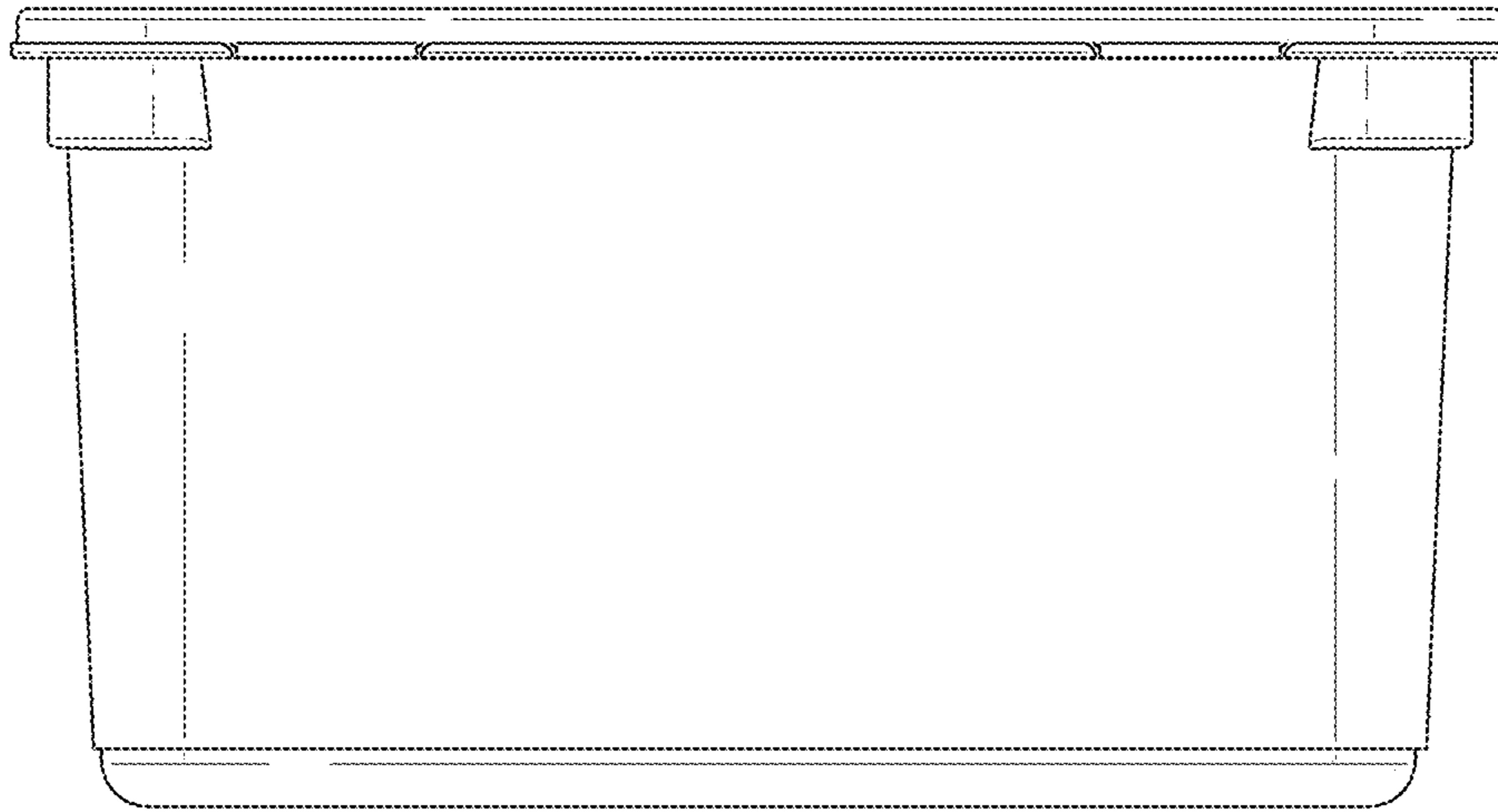


Fig. 30



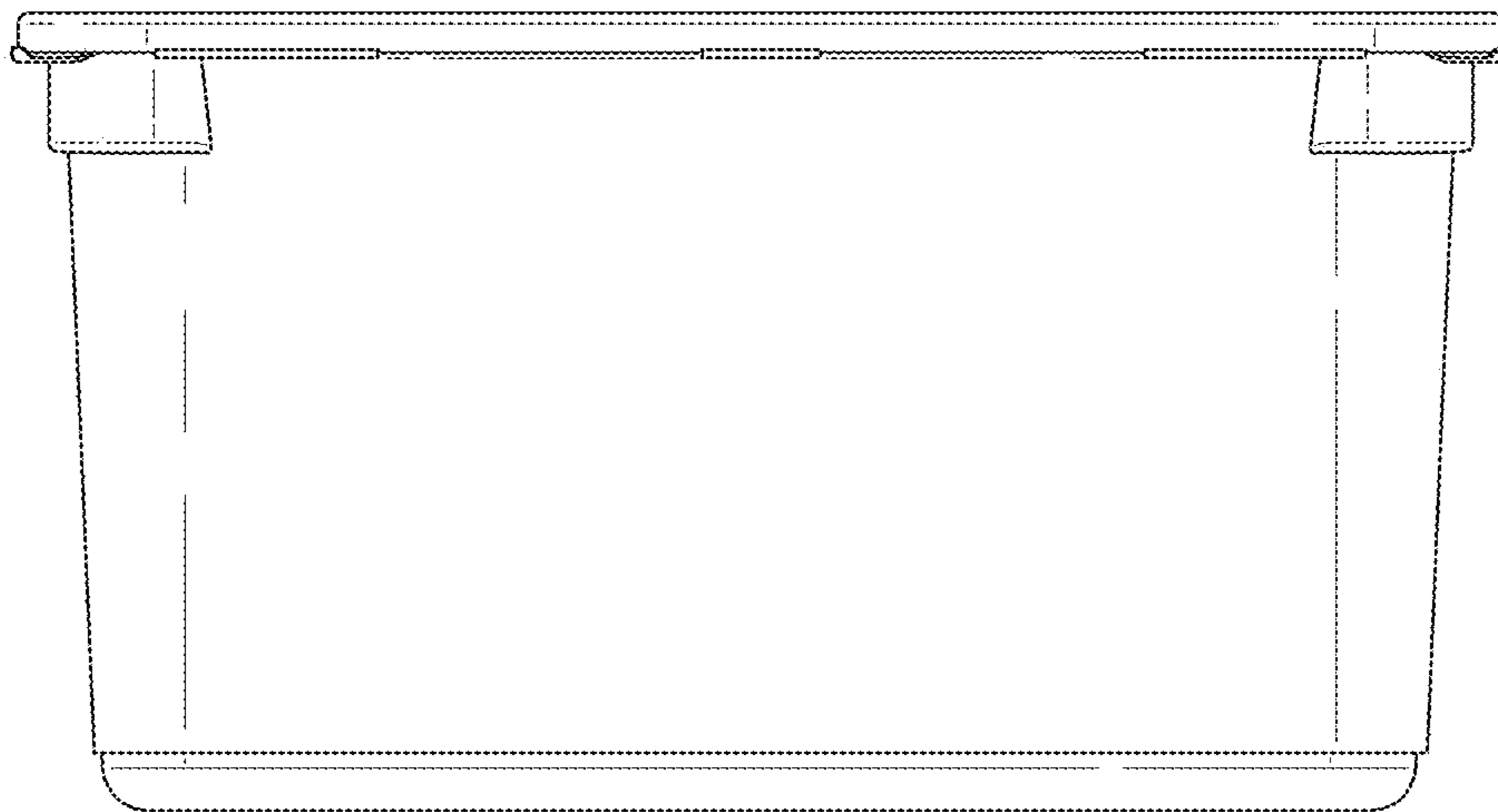


Fig. 31

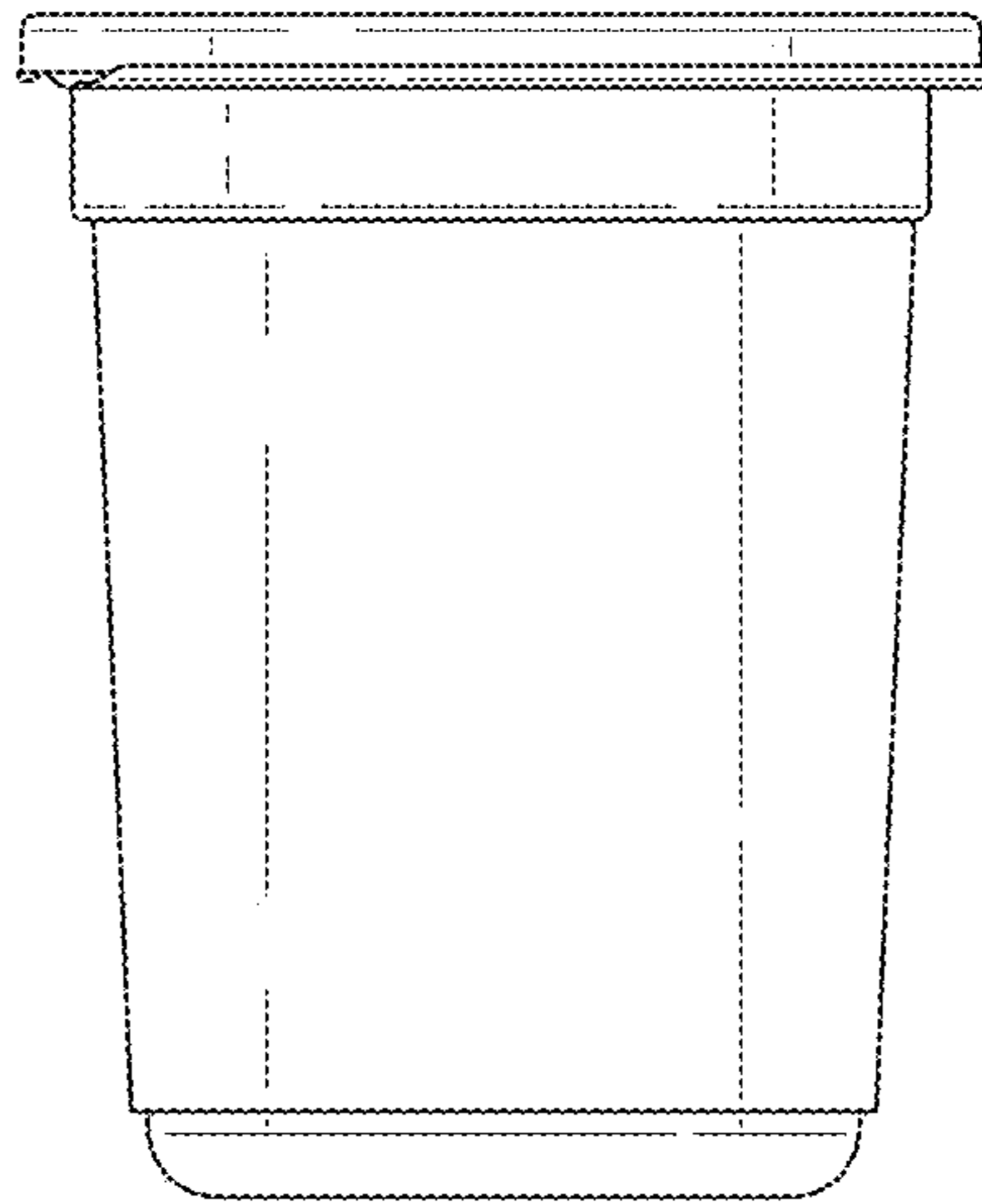


Fig. 32

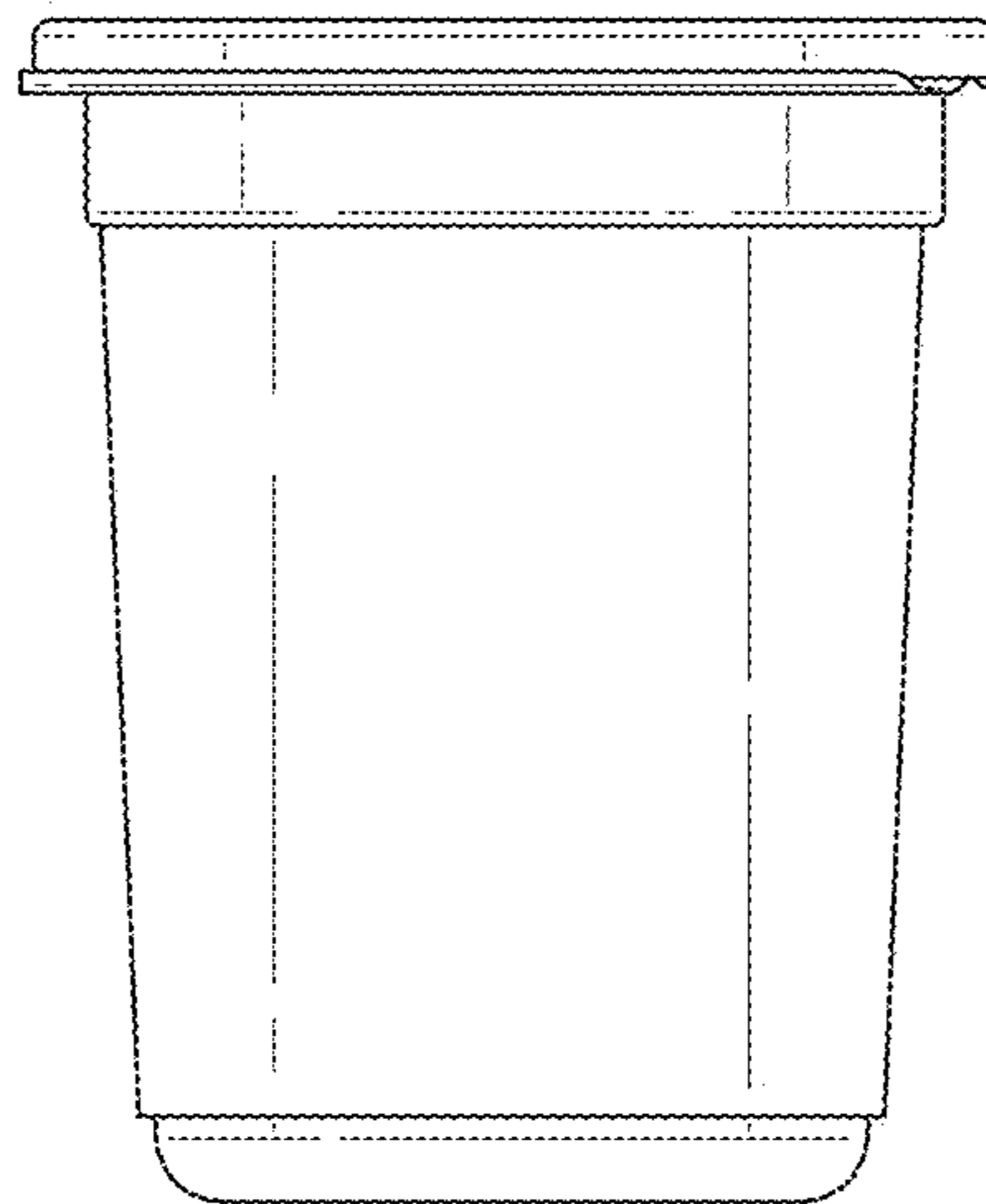


Fig. 33

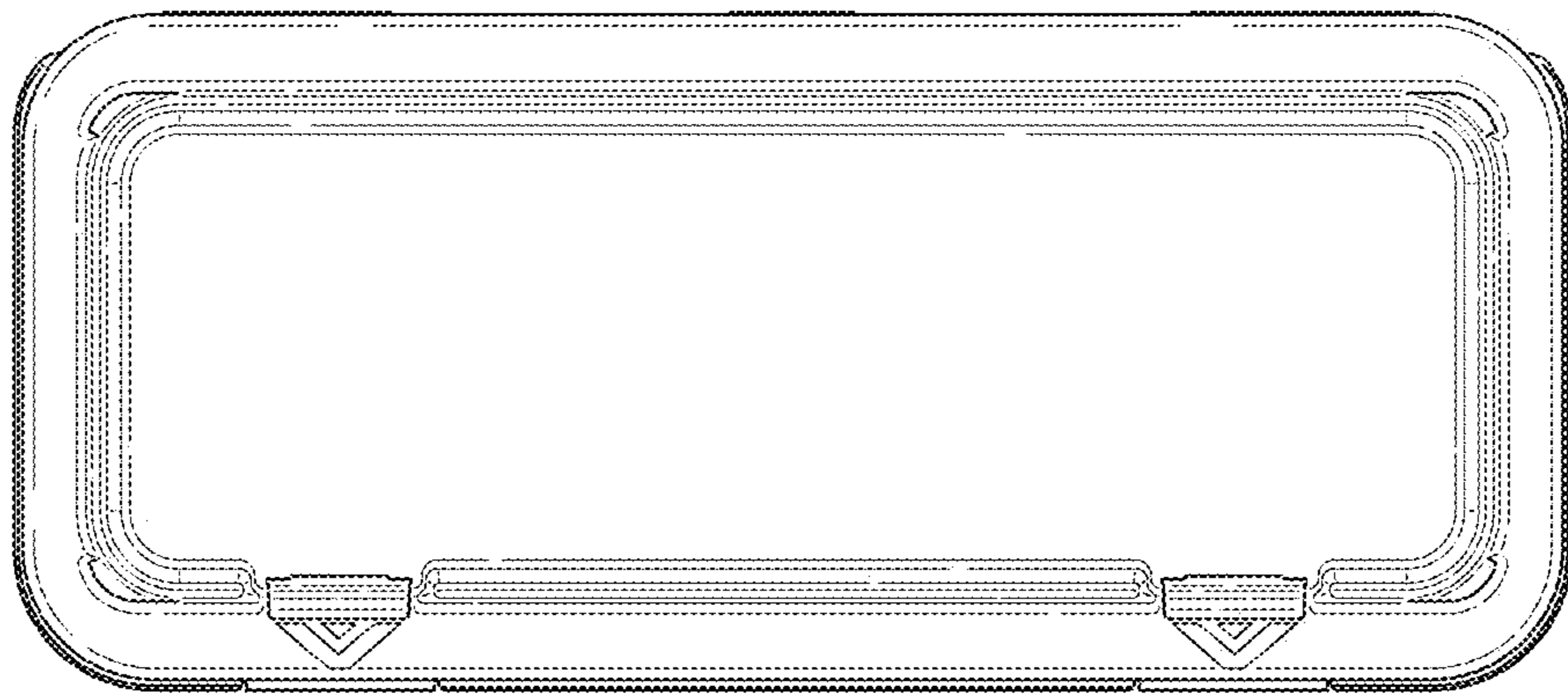


Fig. 34

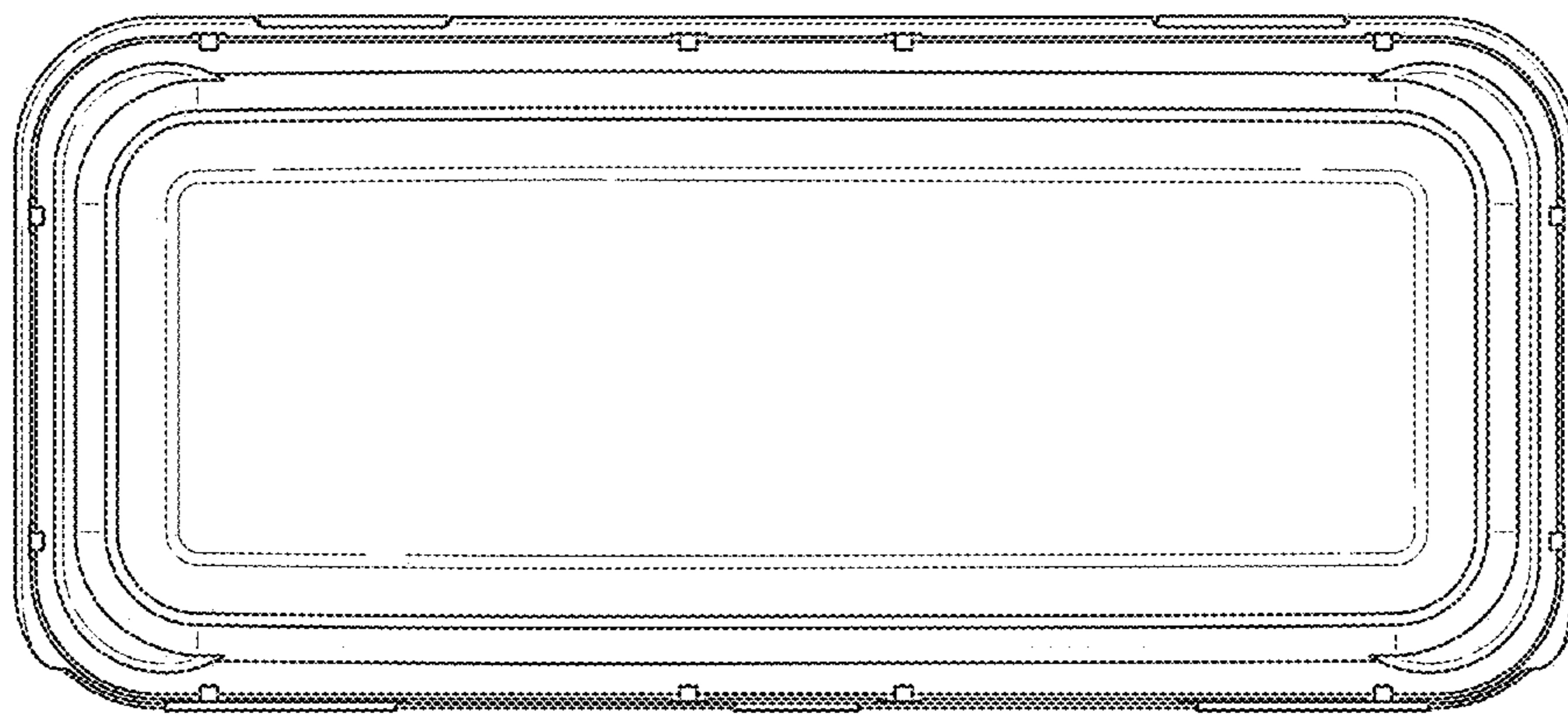


Fig. 35

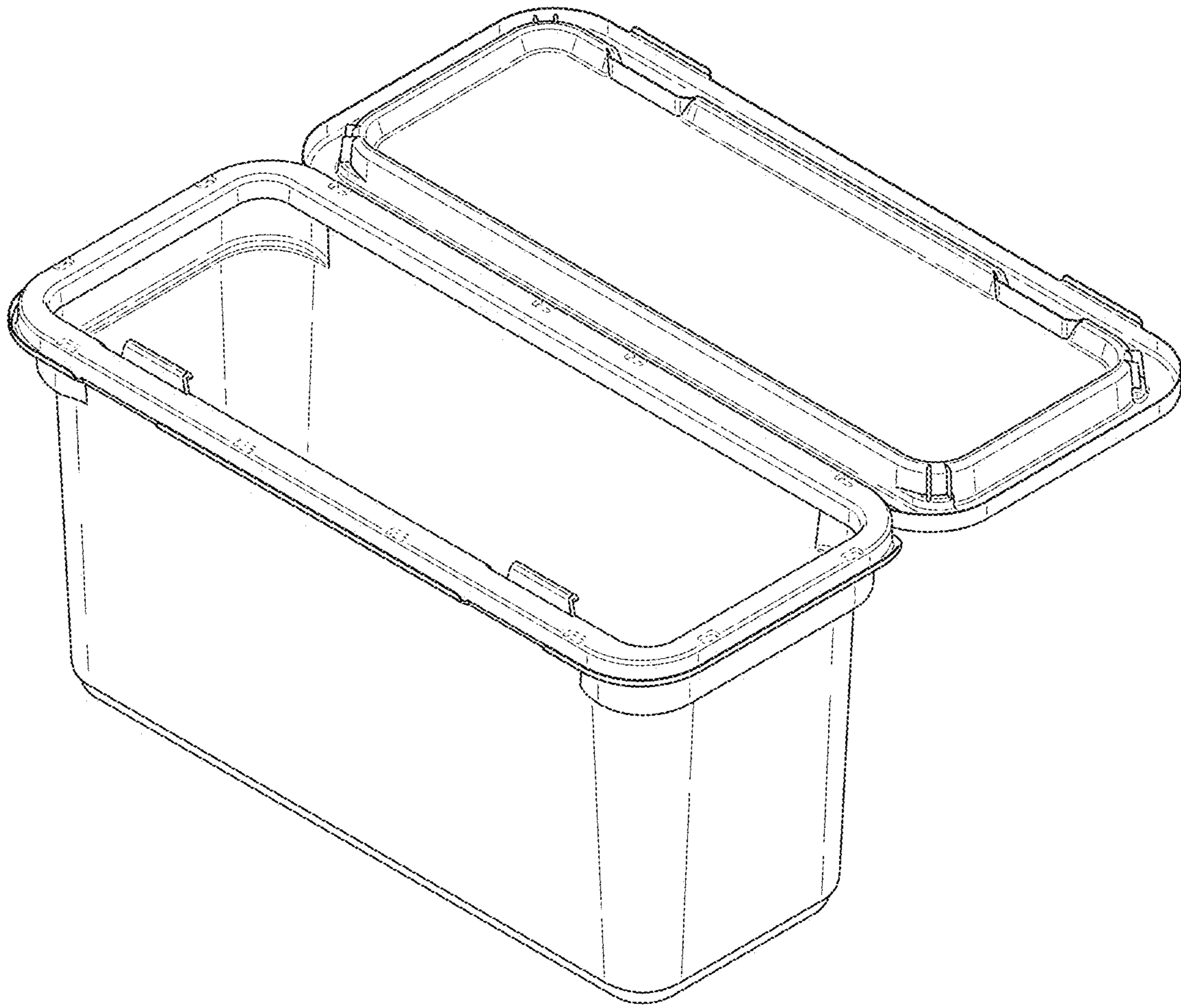


Fig. 36

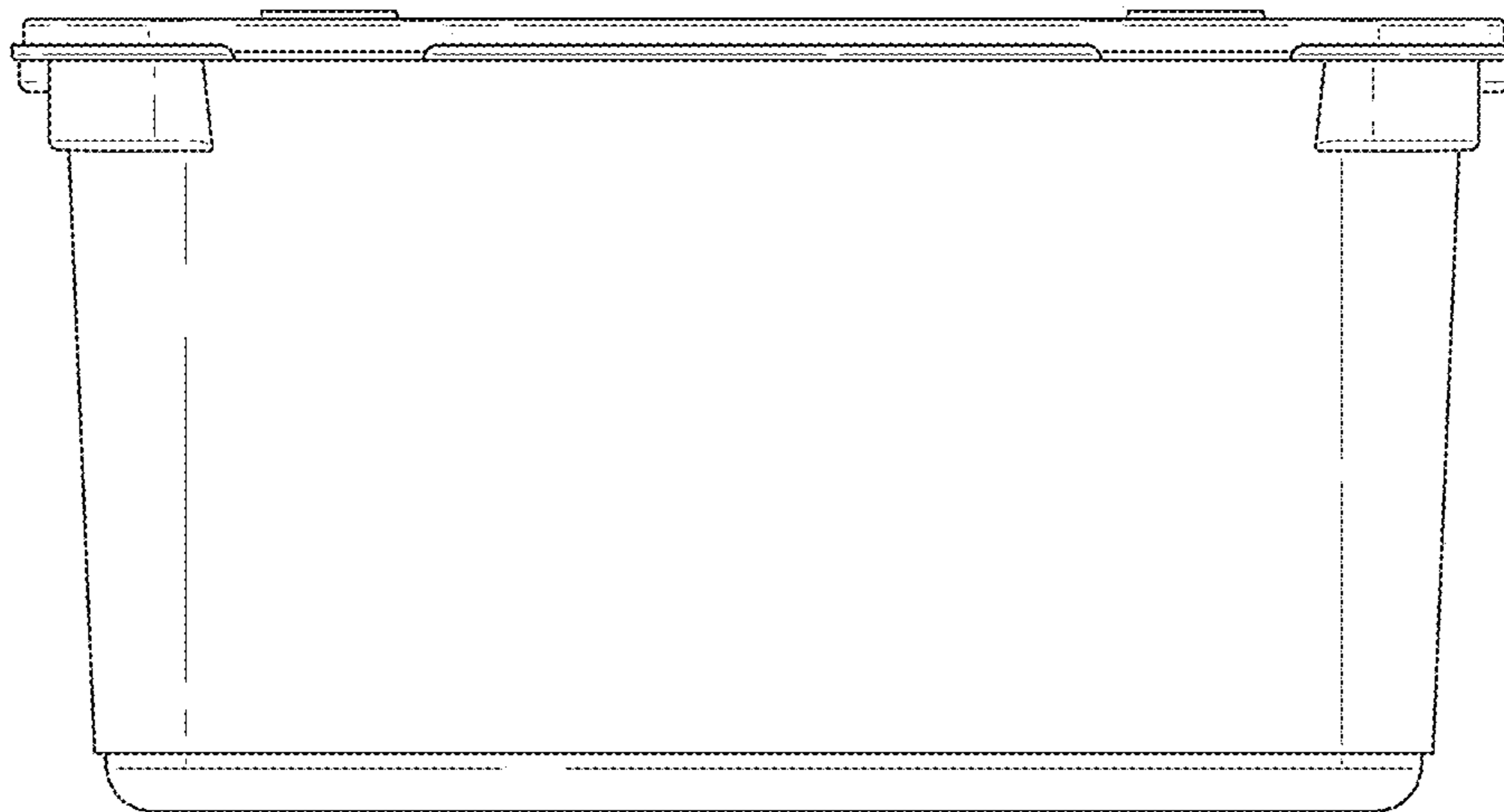


Fig. 37

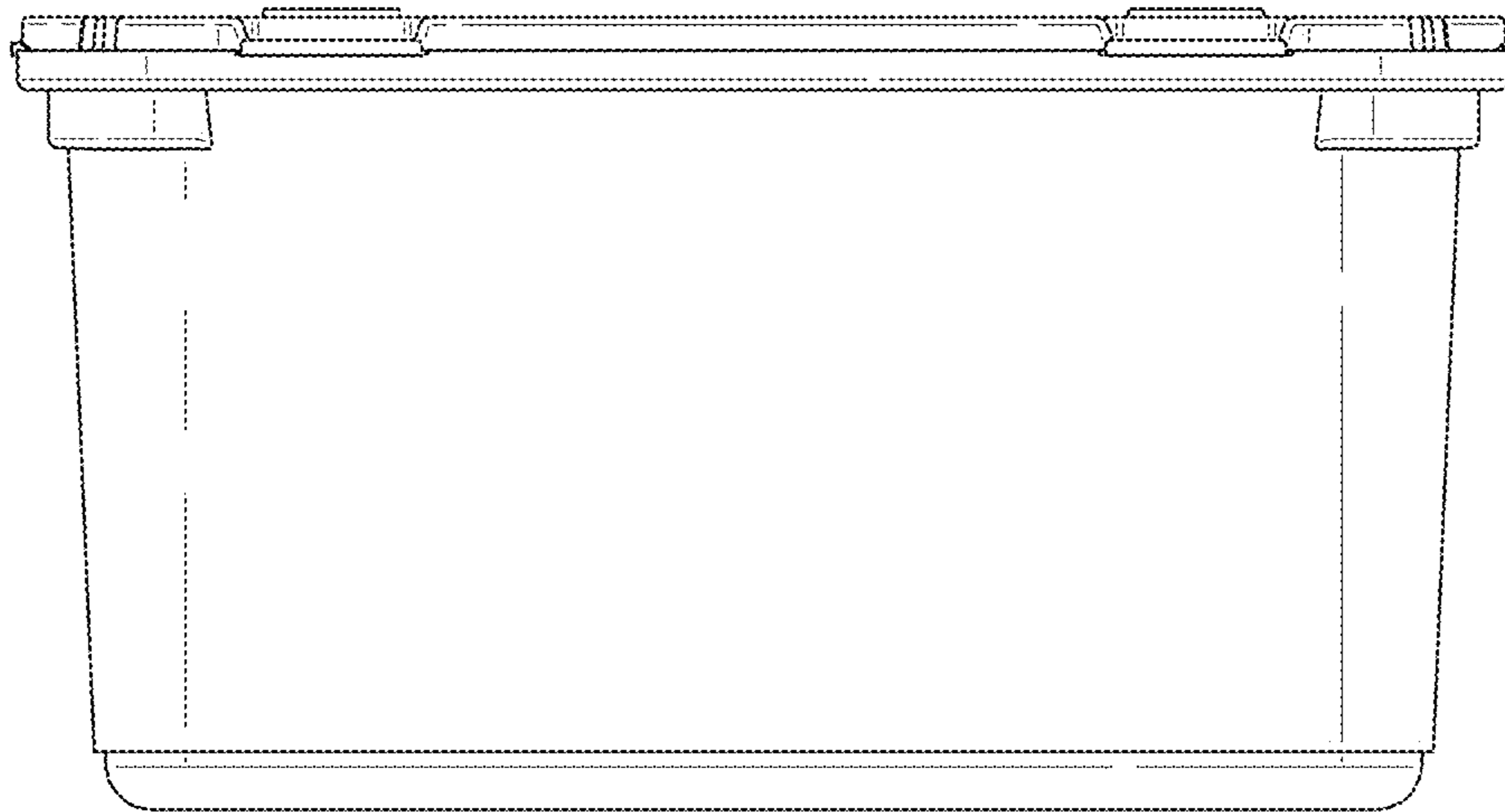


Fig. 38



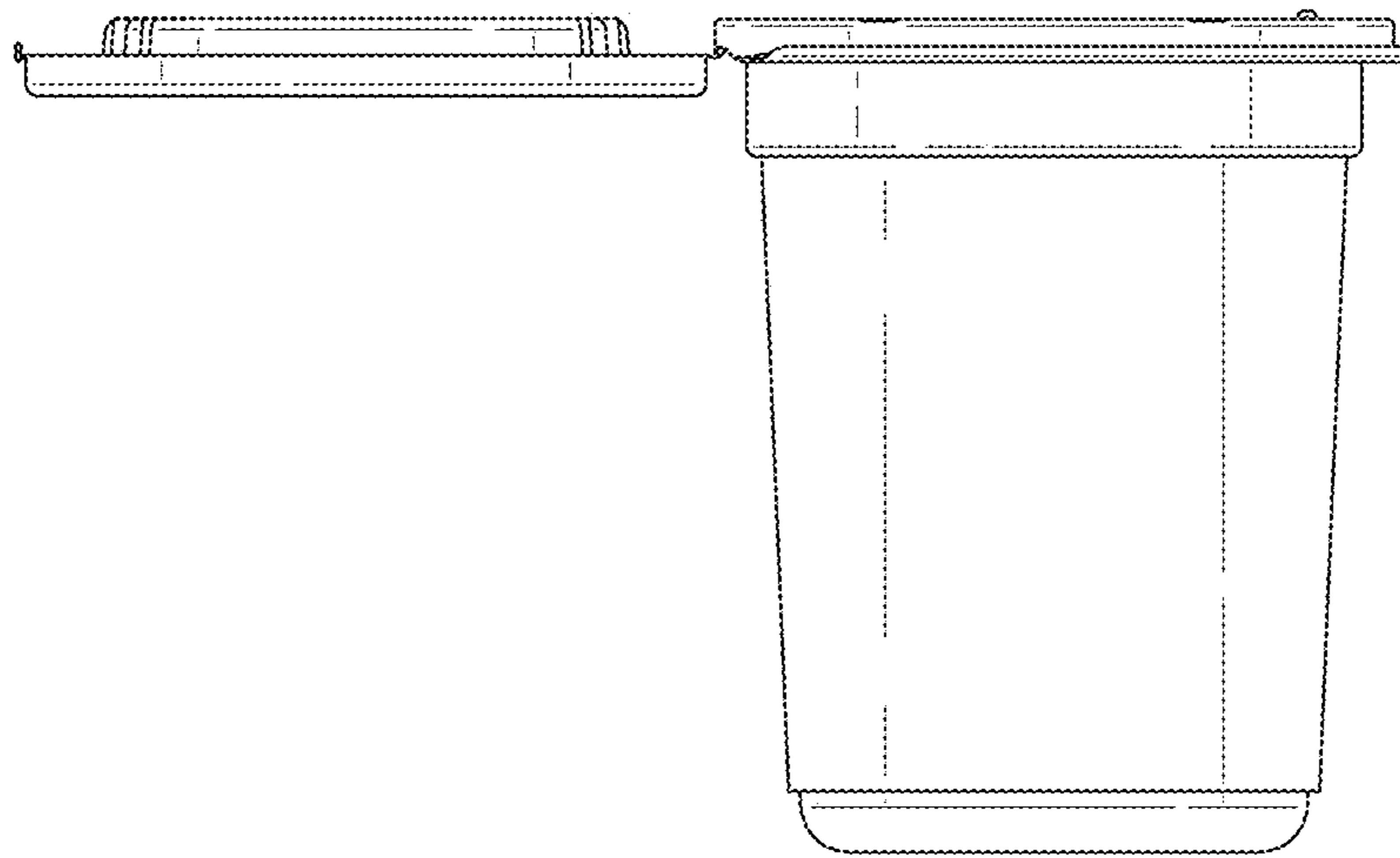


Fig. 39

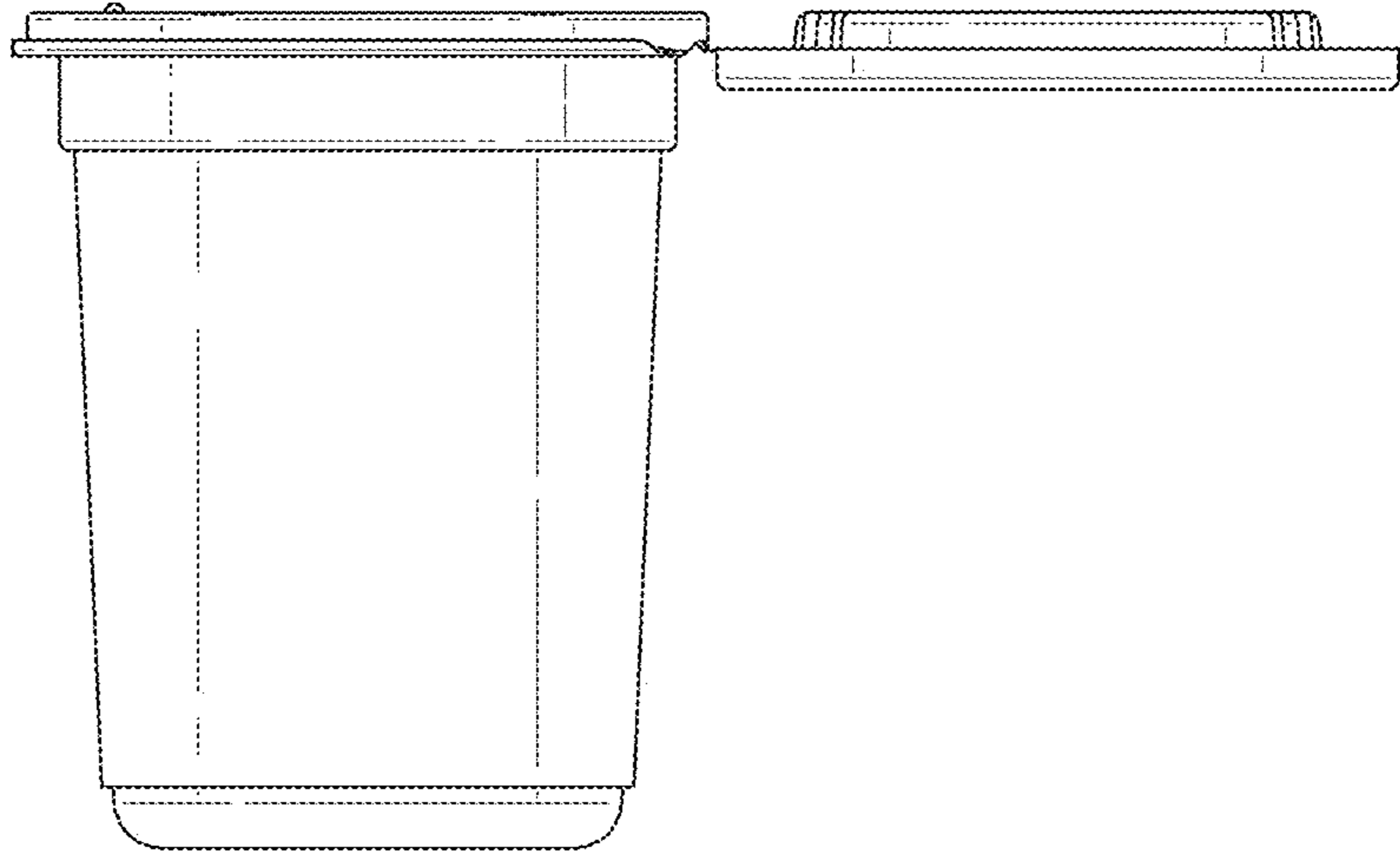


Fig. 40

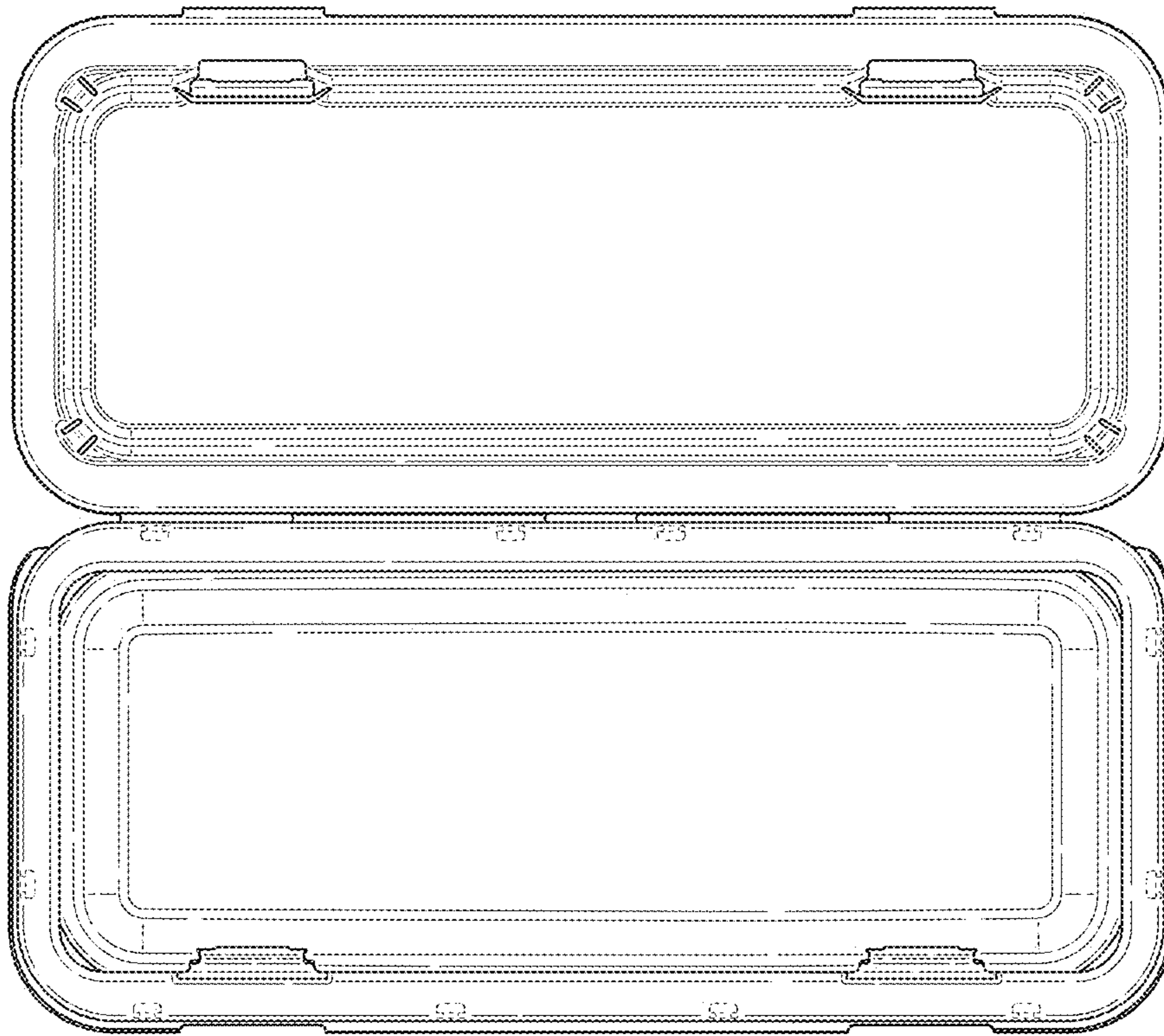


Fig. 41

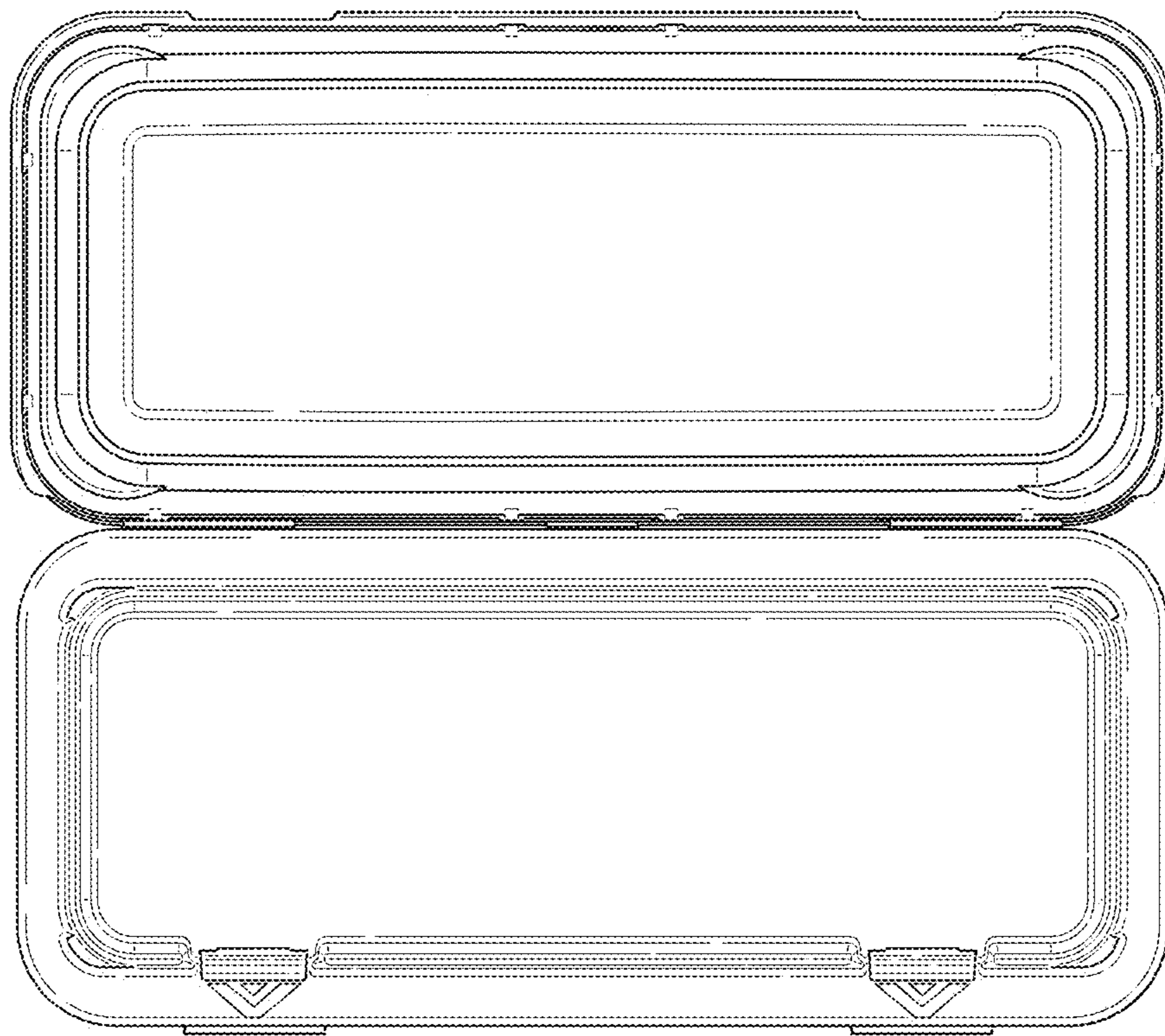


Fig. 42

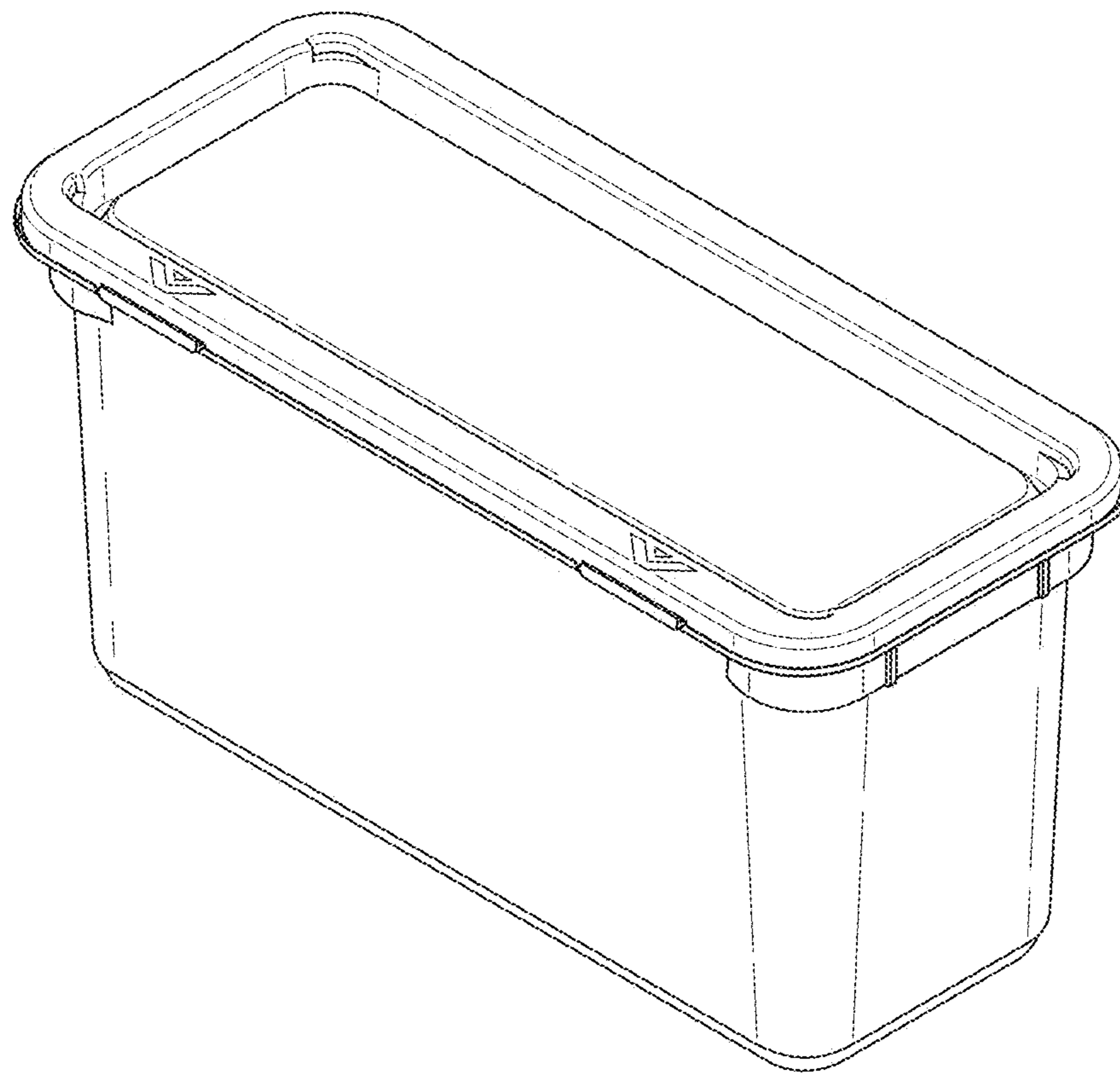


Fig. 43

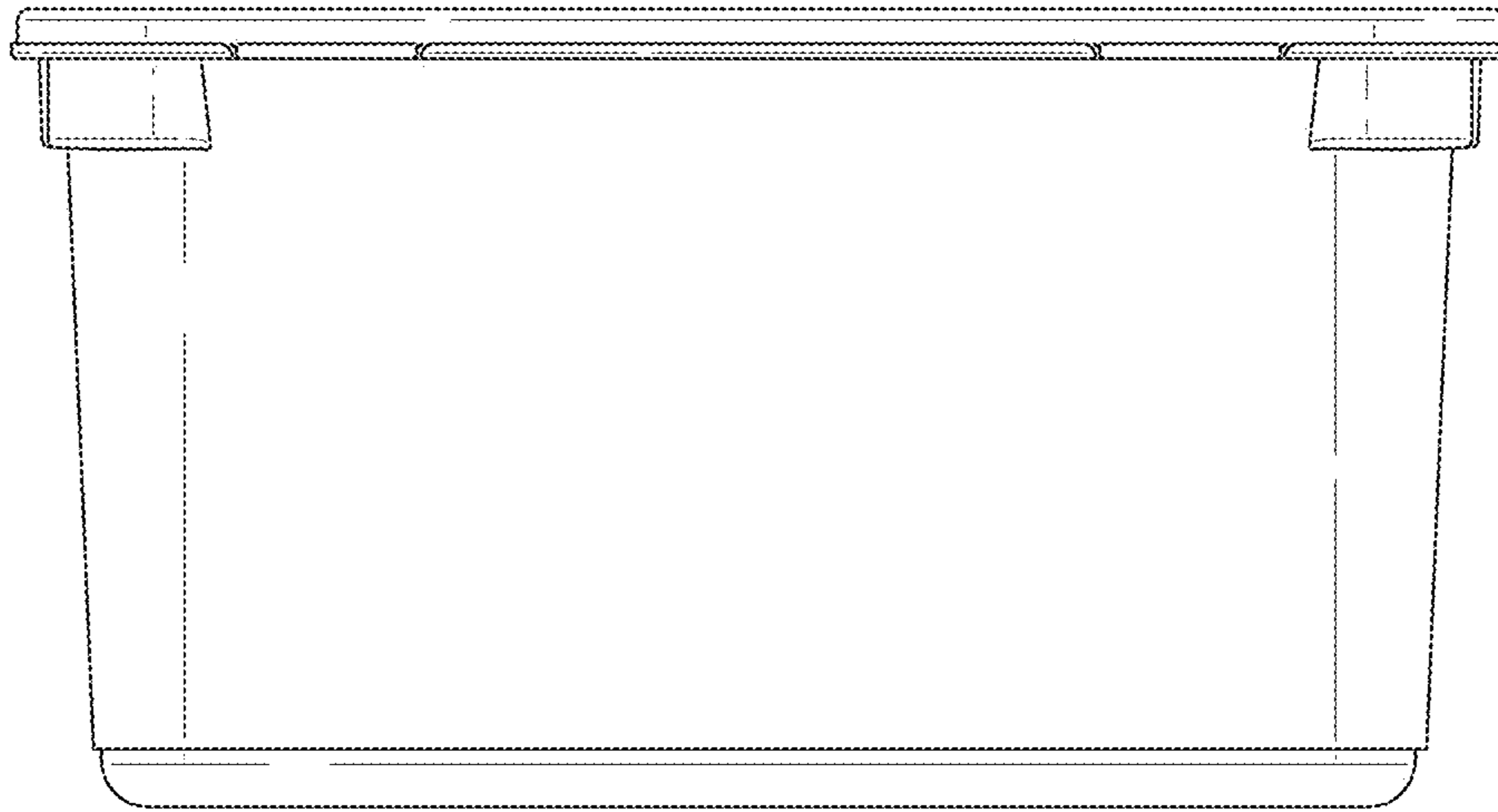


Fig. 44

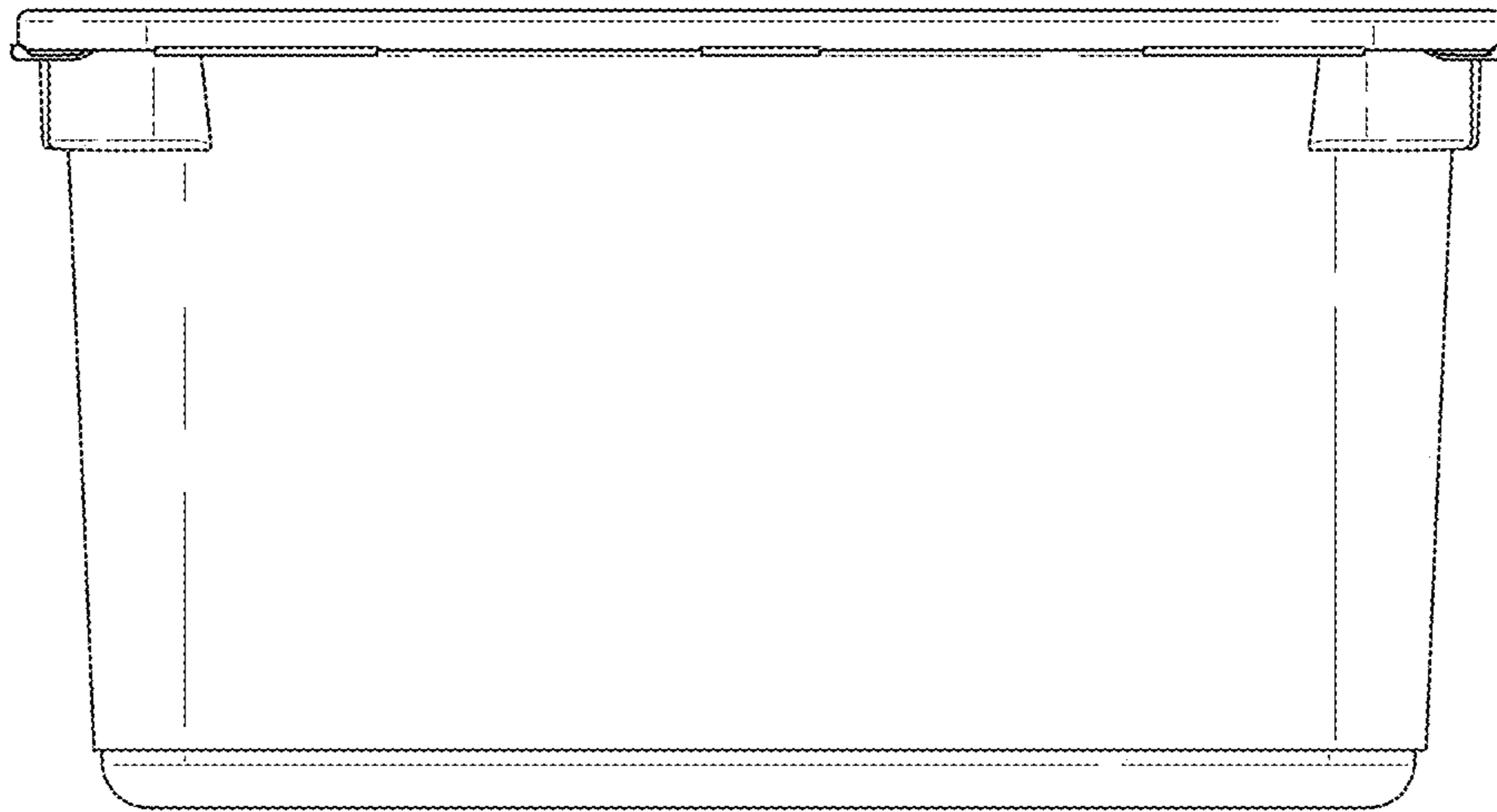


Fig. 45

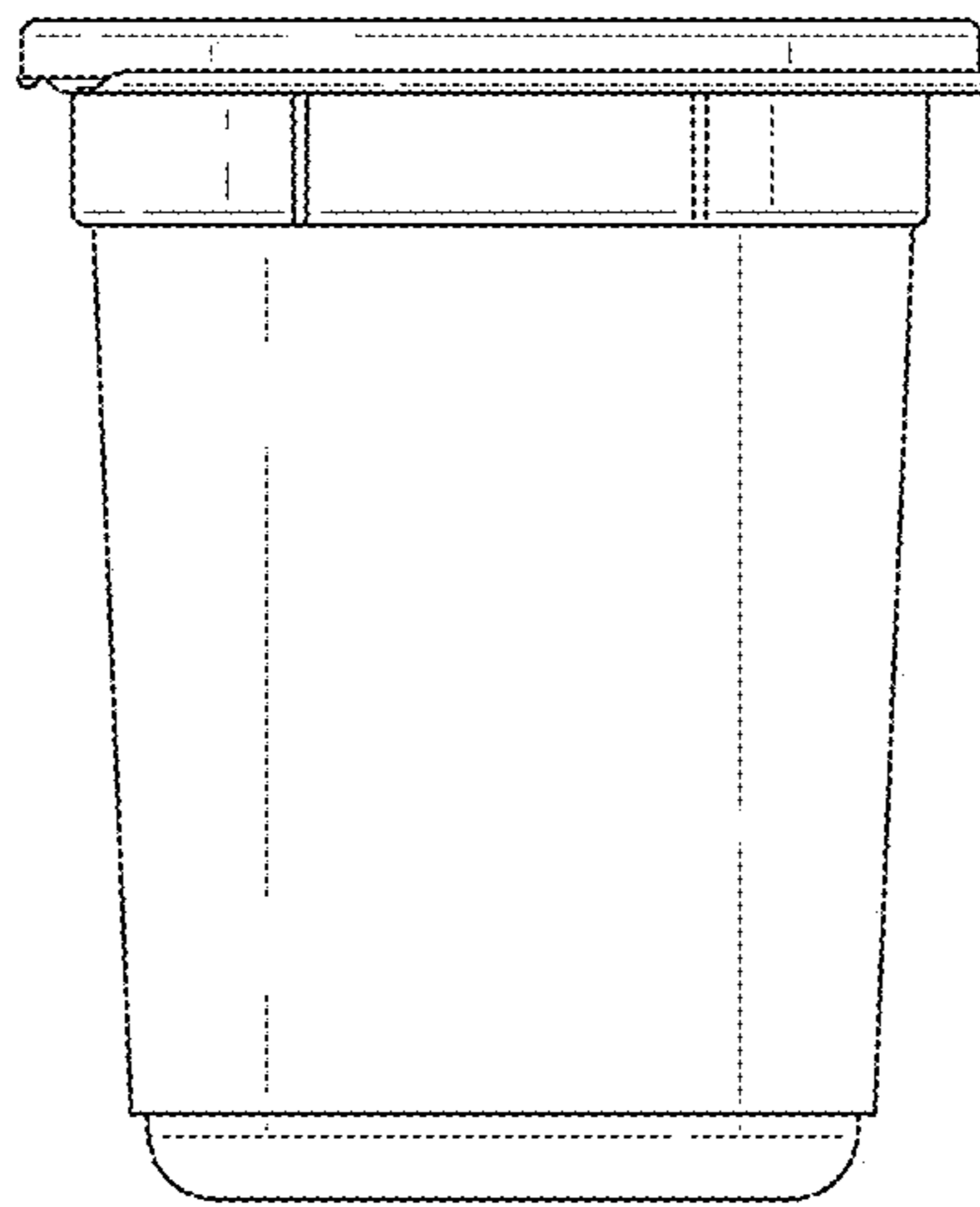


Fig. 46



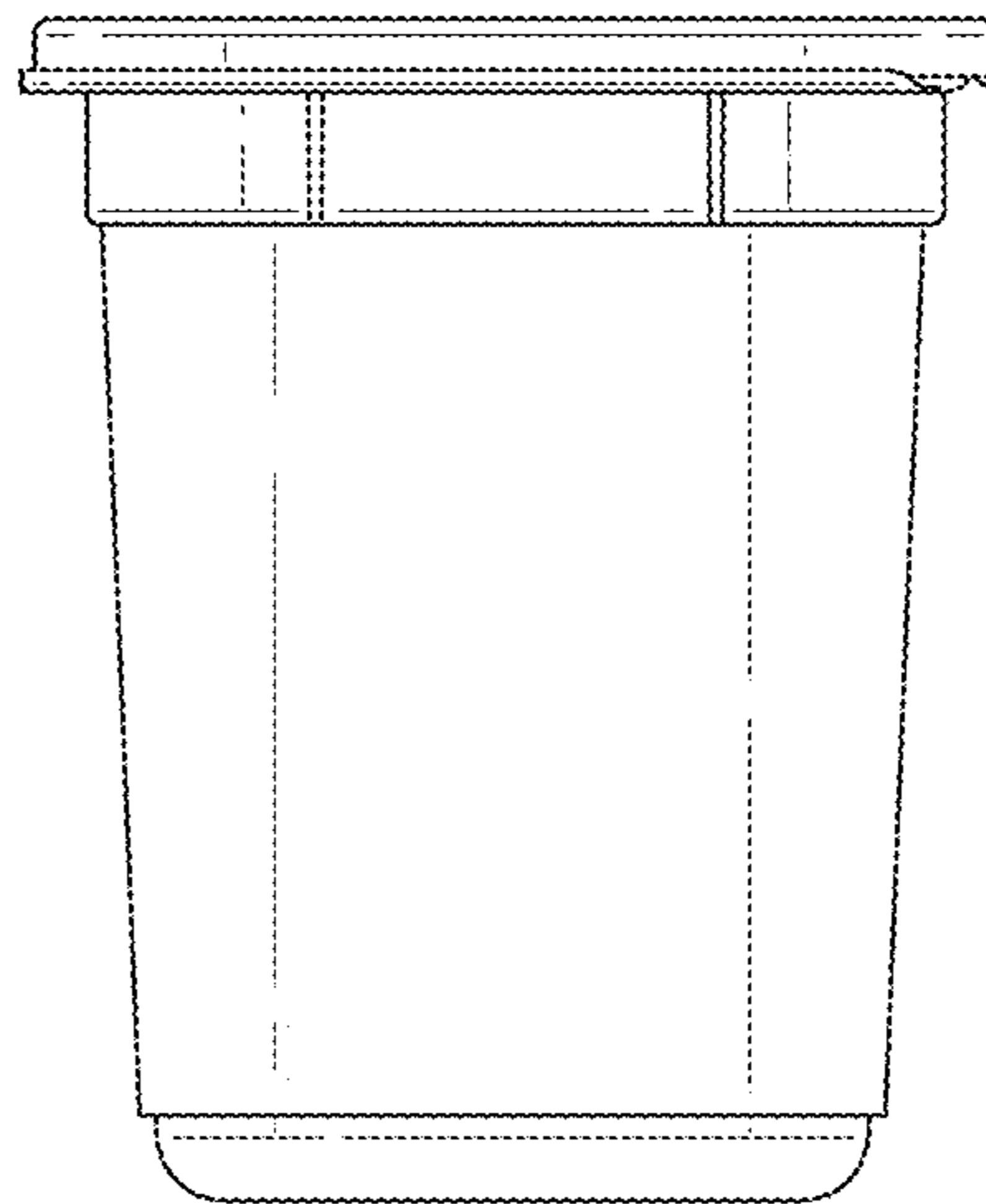


Fig. 47

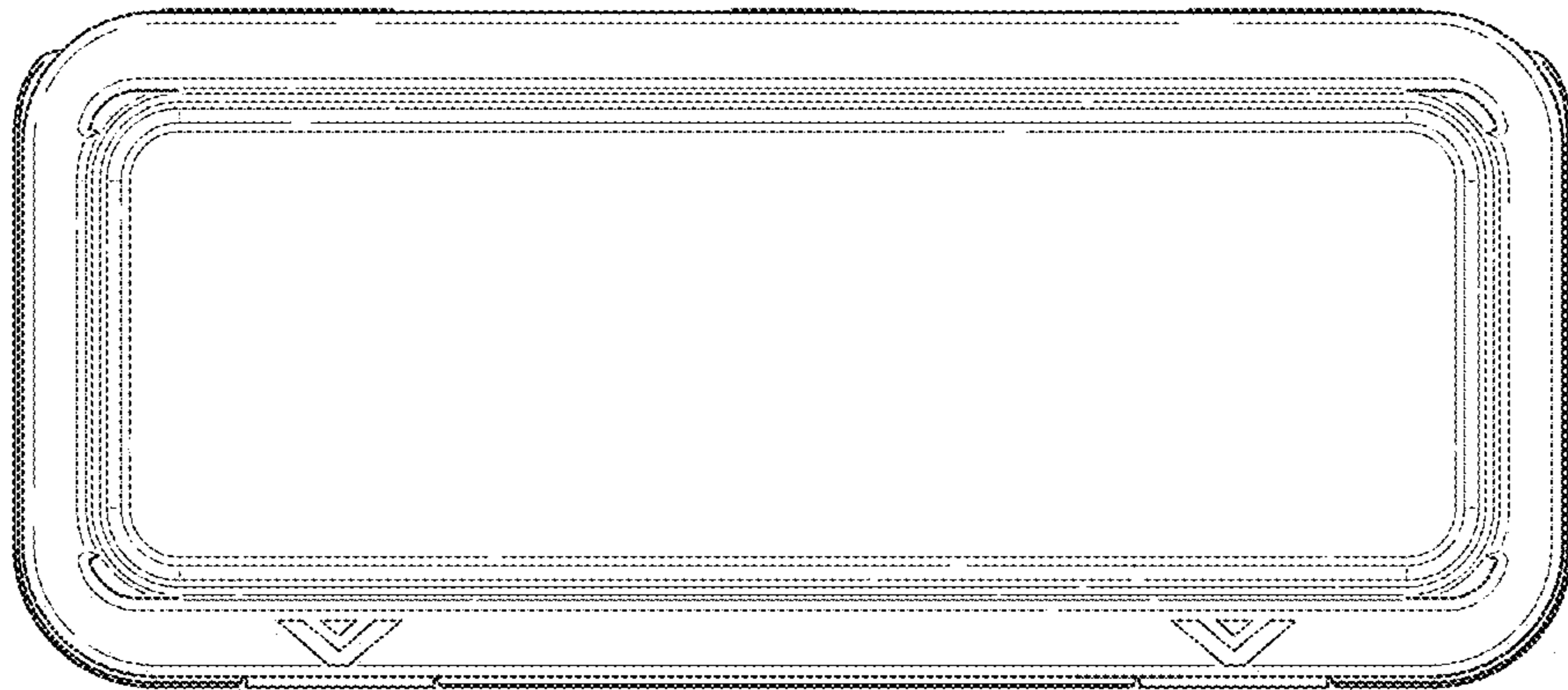


Fig. 48

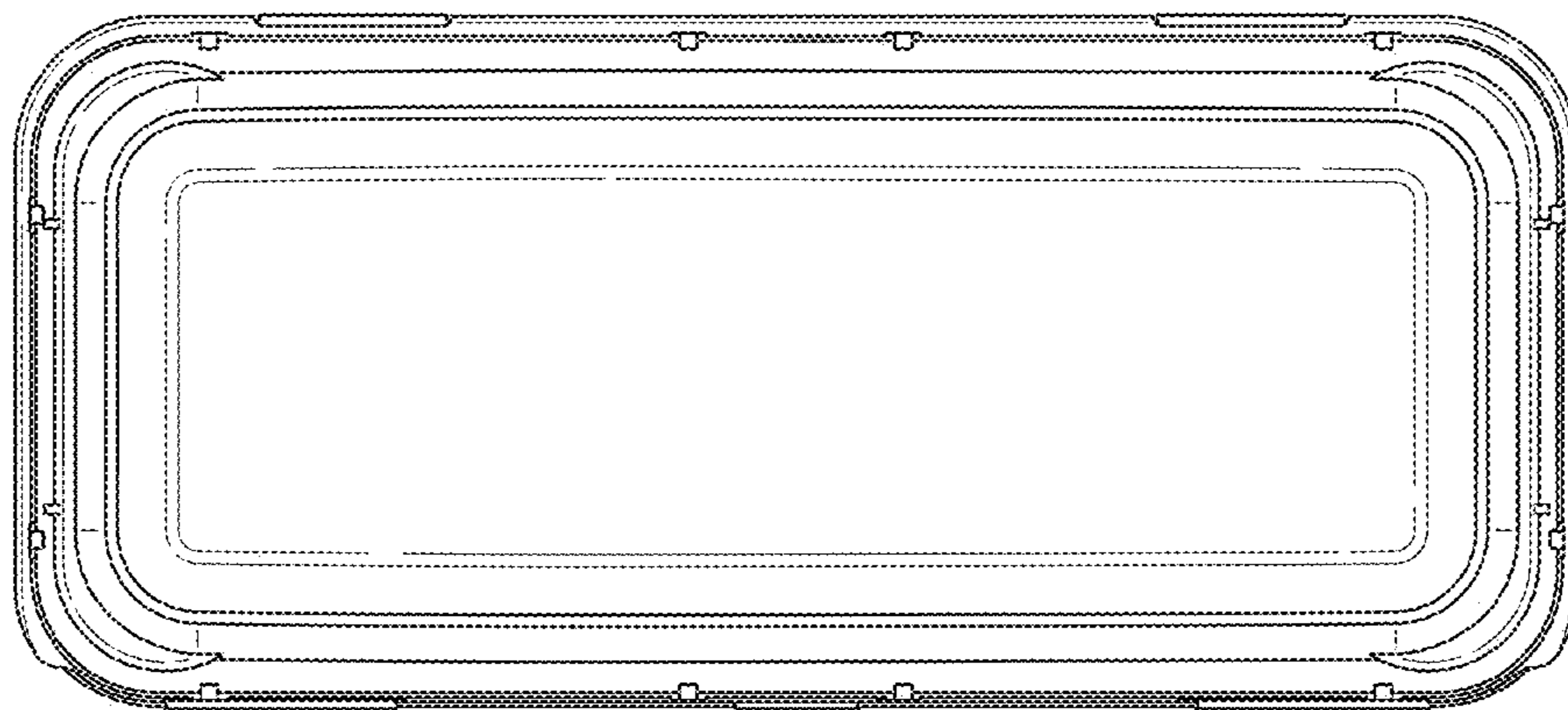


Fig. 49

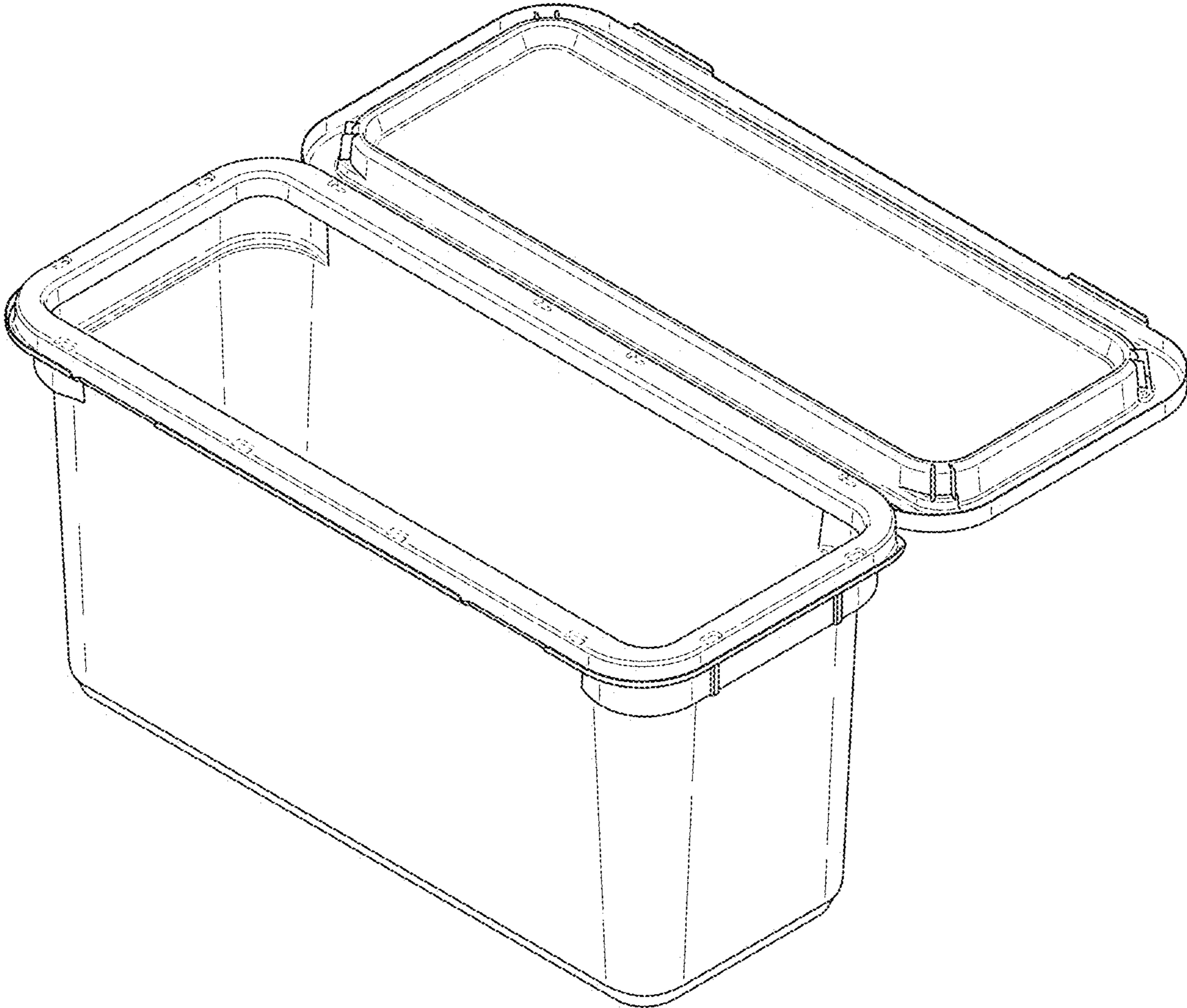


Fig. 50

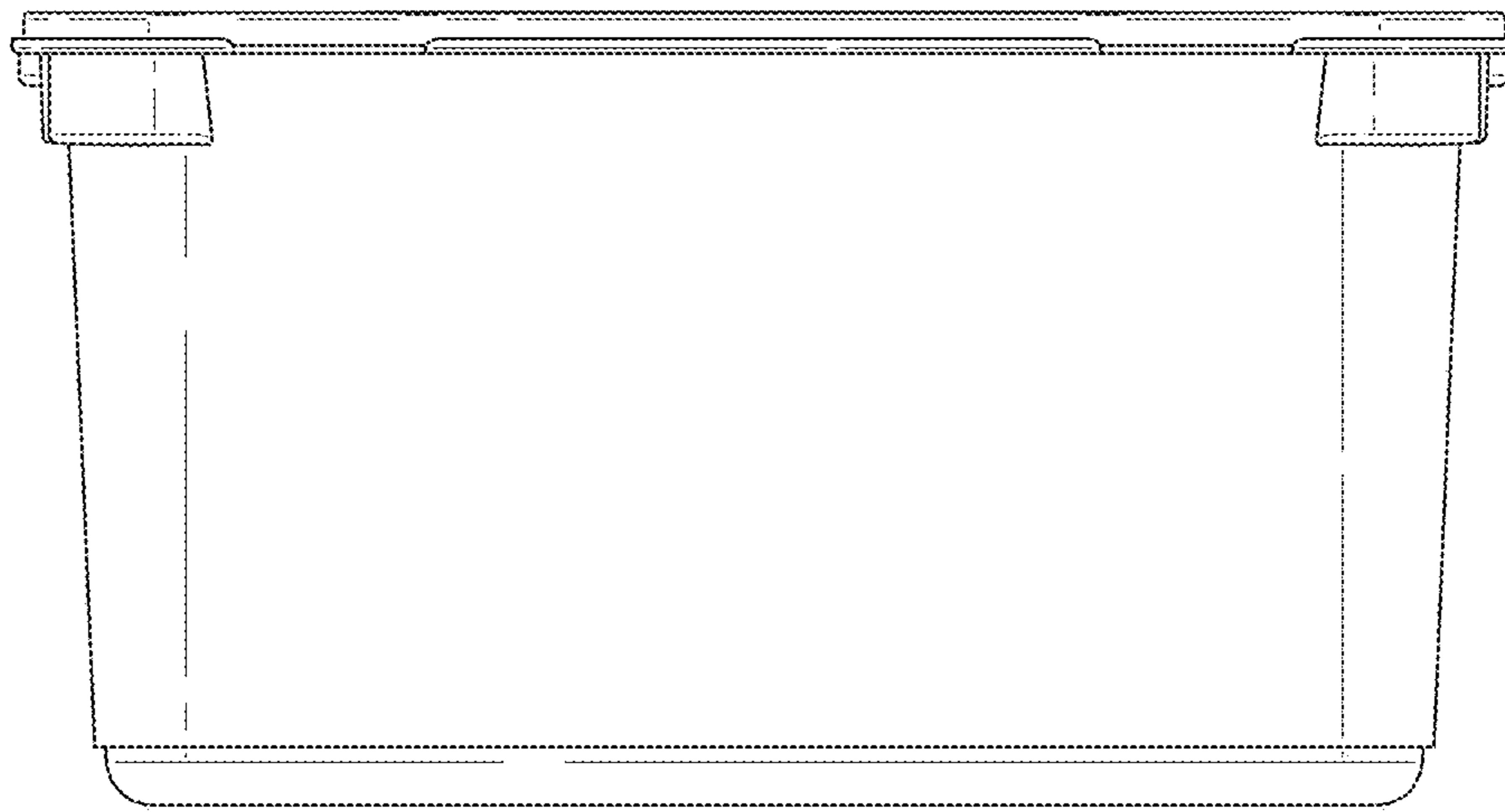


Fig. 51

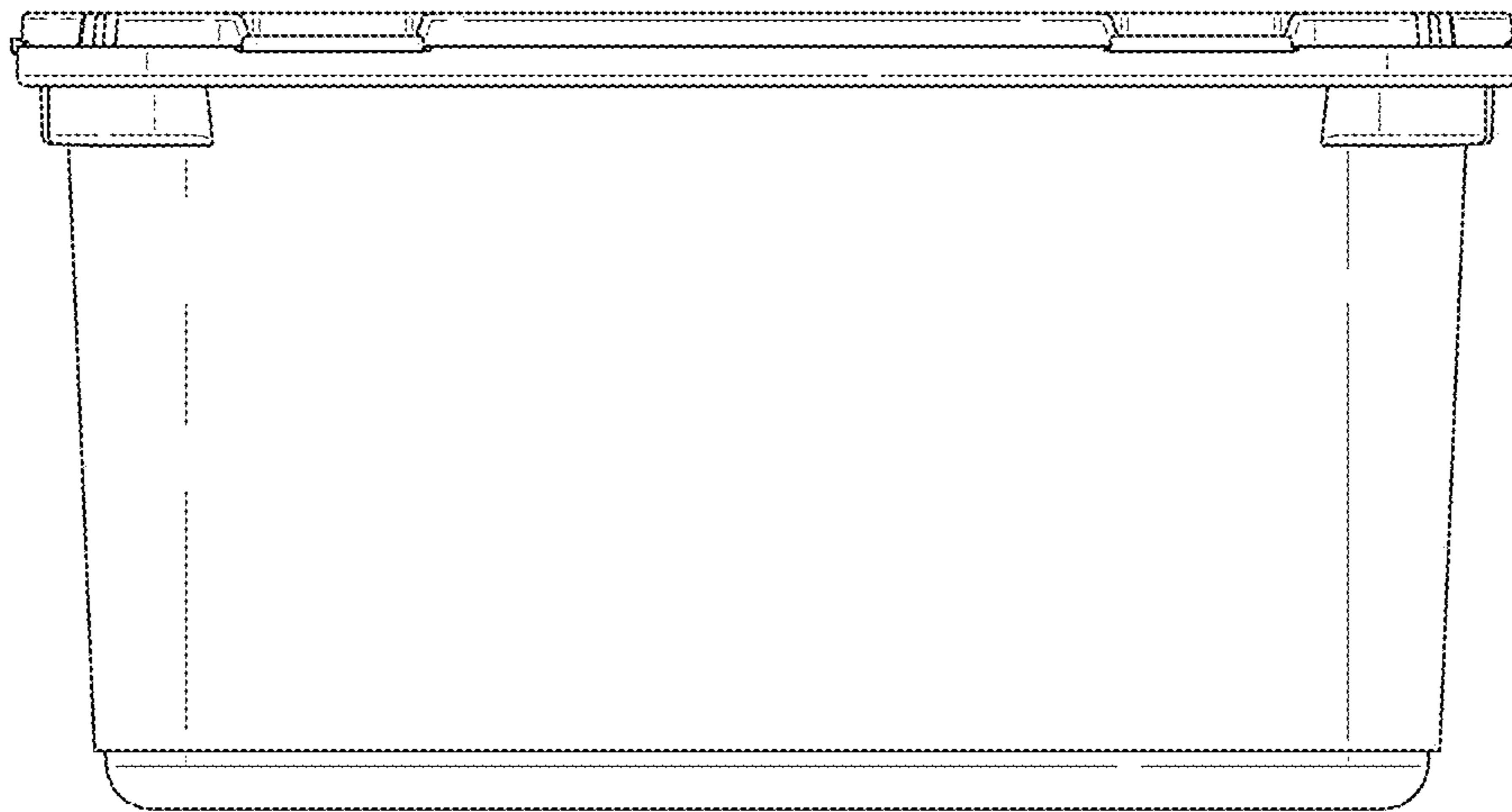


Fig. 52

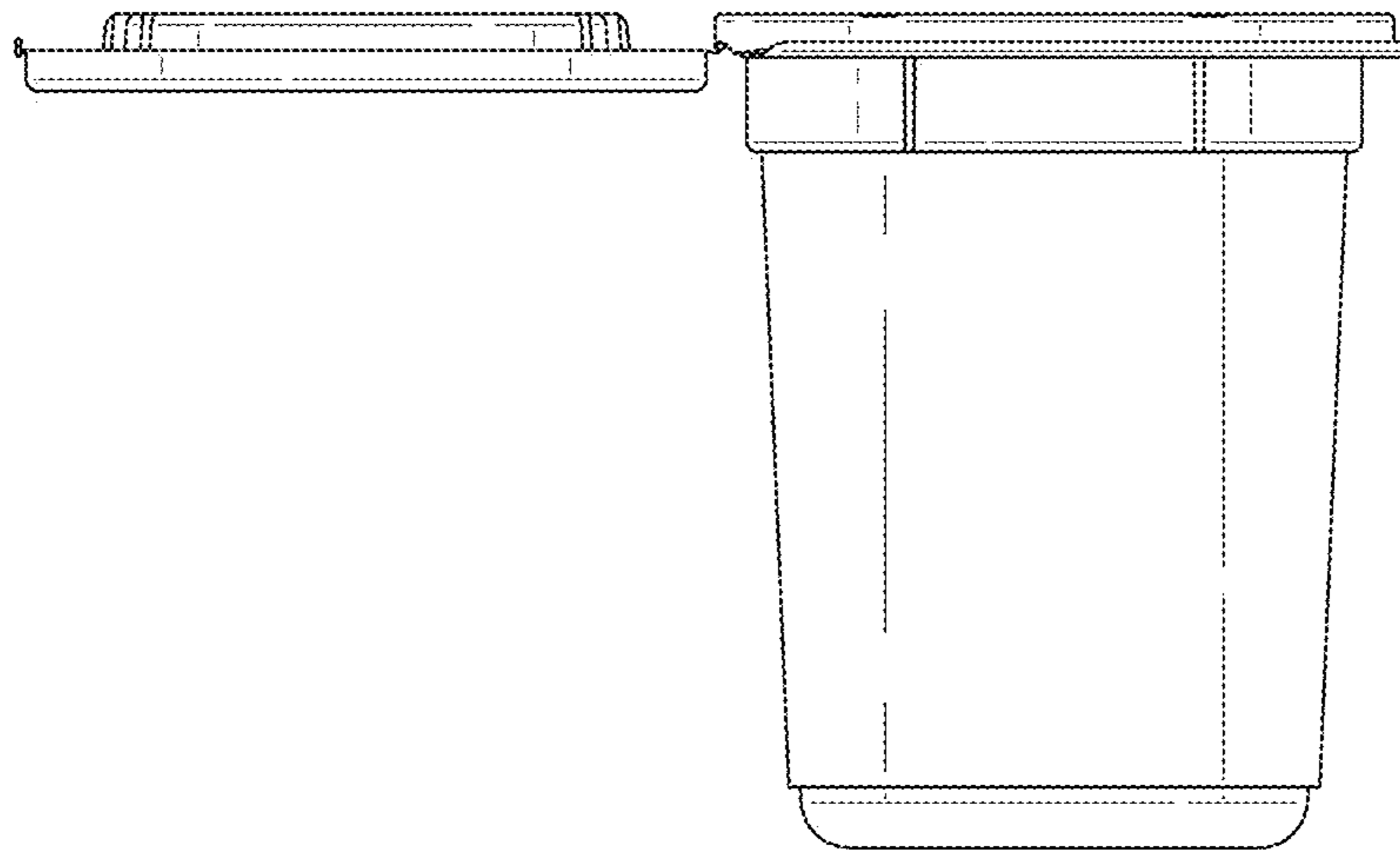


Fig. 53

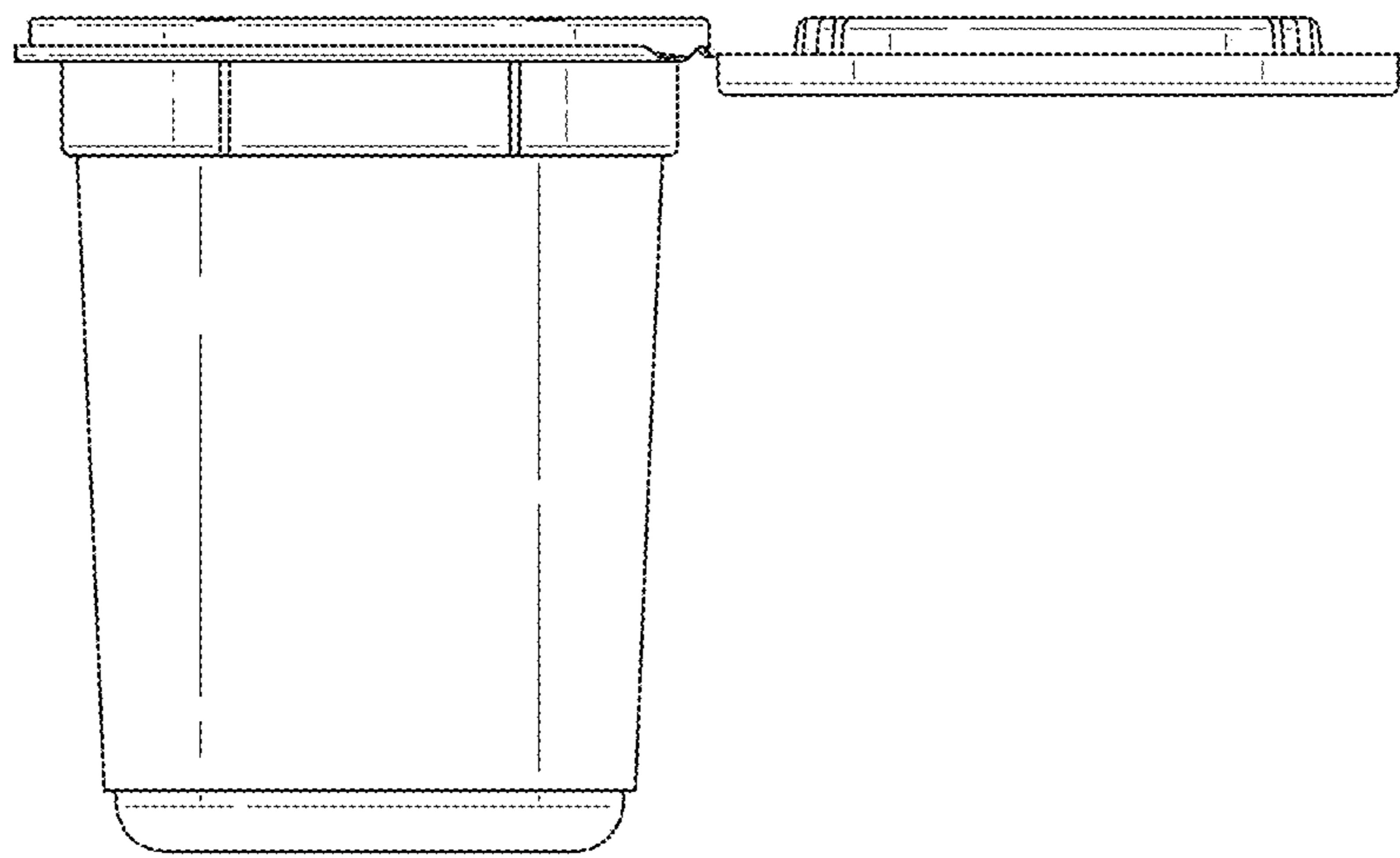


Fig. 54



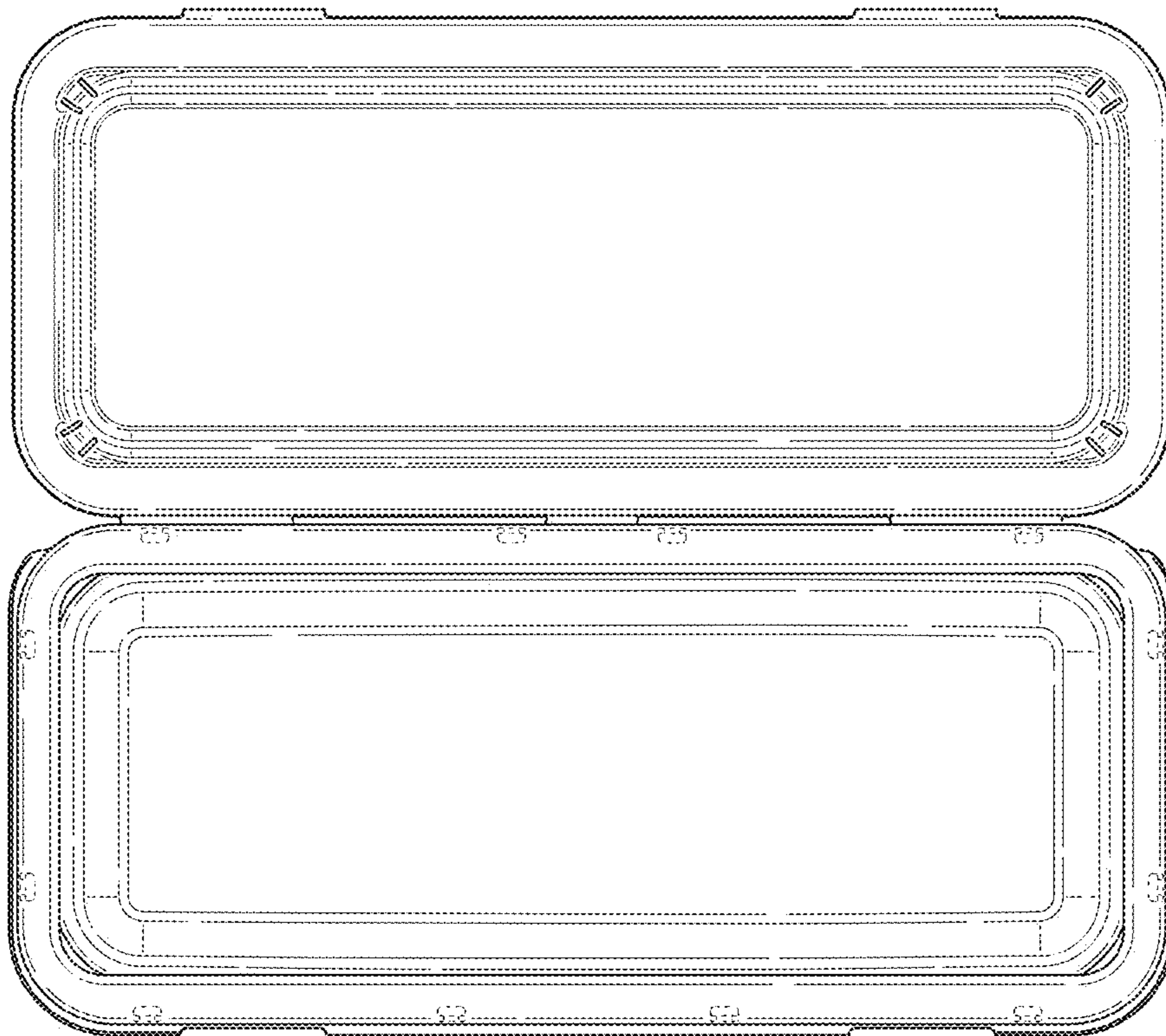


Fig. 55

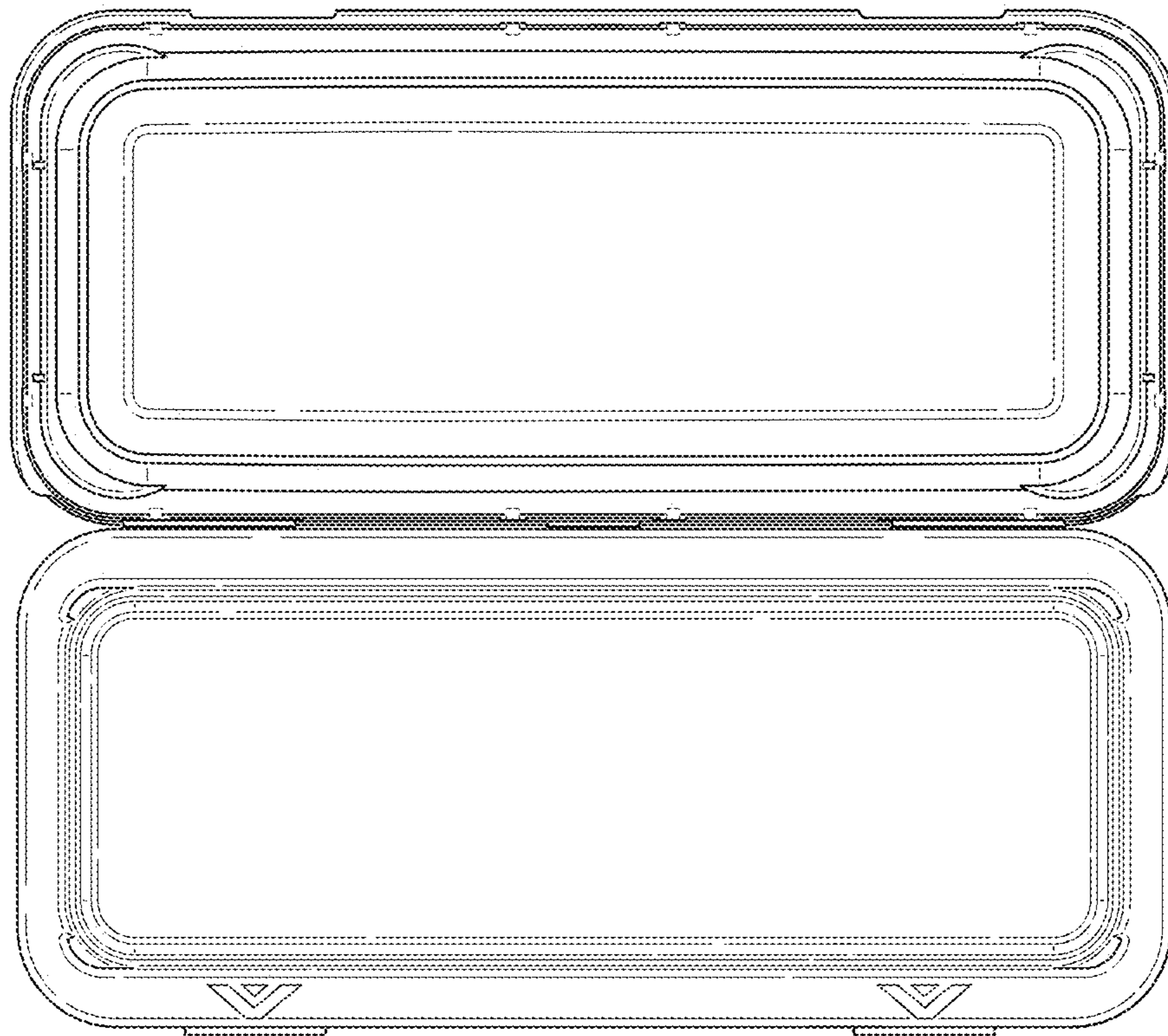


Fig. 56