



US00D938818S

(12) **United States Design Patent** (10) **Patent No.:** **US D938,818 S**  
**Chatalain et al.** (45) **Date of Patent:** **\*\* Dec. 21, 2021**

(54) **PACKAGING BOX FOR SMOKERS' ACCESSORIES**

(71) Applicant: **Philip Morris Products S.A.**,  
Neuchâtel (CH)

(72) Inventors: **Lucas Chatalain**, Lausanne (CH);  
**Charles Johnson**, Pully (CH)

(73) Assignee: **Philip Morris Products S.A.**,  
Neuchâtel (CH)

(\*\*) Term: **15 Years**

(21) Appl. No.: **35/509,481**

(22) Filed: **Oct. 16, 2019**

(80) **Hague Agreement Data**

Int. Filing Date: **Oct. 16, 2019**

Int. Reg. No.: **DM/208255**

Int. Reg. Date: **Oct. 16, 2019**

Int. Reg. Pub. Date: **May 29, 2020**

(30) **Foreign Application Priority Data**

Apr. 26, 2019 (EM) ..... 006401253-0001

Apr. 26, 2019 (EM) ..... 006401253-0002

Apr. 26, 2019 (EM) ..... 006401253-0003

(51) **LOC (13) Cl.** ..... **09-01**

(52) **U.S. Cl.**  
USPC ..... **D9/420; D9/432**

(58) **Field of Classification Search**  
USPC ..... D9/414, 420, 422, 426, 430-432;  
D27/172, 186, 187, 189, 190-192  
CPC ..... B65D 5/009; B65D 5/32; B65D 5/0085;  
B65D 5/322; B65D 5/427; B65D 5/5253;  
B65D 5/5495; B65D 21/0201; B65D  
21/0204; B65D 25/04; B65D 71/70;  
B65D 77/006; B65D 85/1063; B65D  
85/1072

See application file for complete search history.

(56) **References Cited**

U.S. PATENT DOCUMENTS

D136,319	S	*	9/1943	New	.....	D27/191
3,029,937	A	*	4/1962	Vogt	.....	B65D 75/322
						206/525
D274,889	S	*	7/1984	Sullivan	.....	D9/426
D397,826	S	*	9/1998	McDiarmid	.....	D19/81
D570,682	S	*	6/2008	Erden	.....	D9/430
D620,788	S	*	8/2010	Hainaut	.....	D9/420
D625,995	S	*	10/2010	Vovan	.....	D9/429
D650,267	S	*	12/2011	Gibson	.....	D9/428
D700,840	S	*	3/2014	Vernon	.....	D9/431
D835,986	S	*	12/2018	Stimpson	.....	D9/430
D854,409	S	*	7/2019	Parker	.....	D9/420
D885,885	S	*	6/2020	Dietvorst	.....	B65D 75/322
						D9/423
D911,777	S	*	3/2021	Spence	.....	D7/501
D915,879	S	*	4/2021	Fischer	.....	D9/420

\* cited by examiner

*Primary Examiner* — Keli L Hill

(74) *Attorney, Agent, or Firm* — Oblon, McClelland,  
Maier & Neustadt, L.L.P.

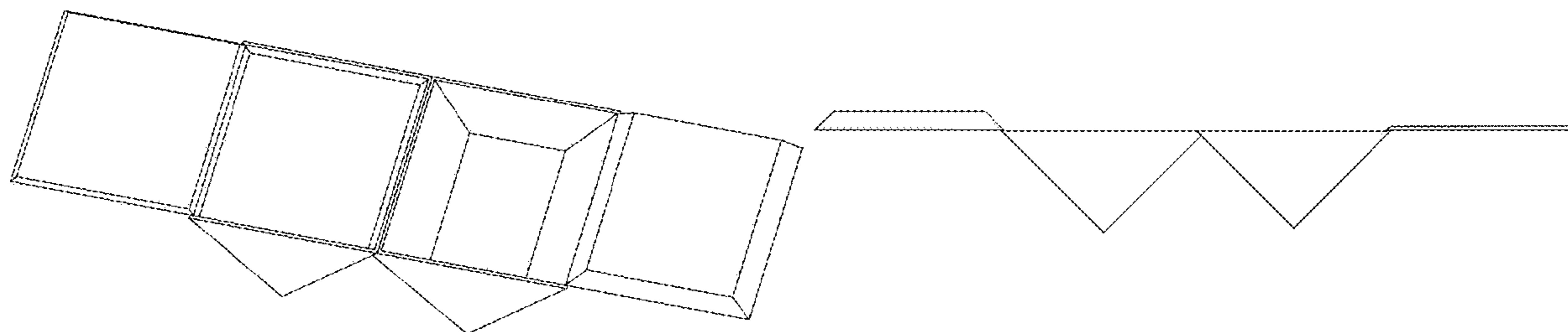
(57) **CLAIM**

The ornamental design for a packaging box for smokers' accessories, as shown and described.

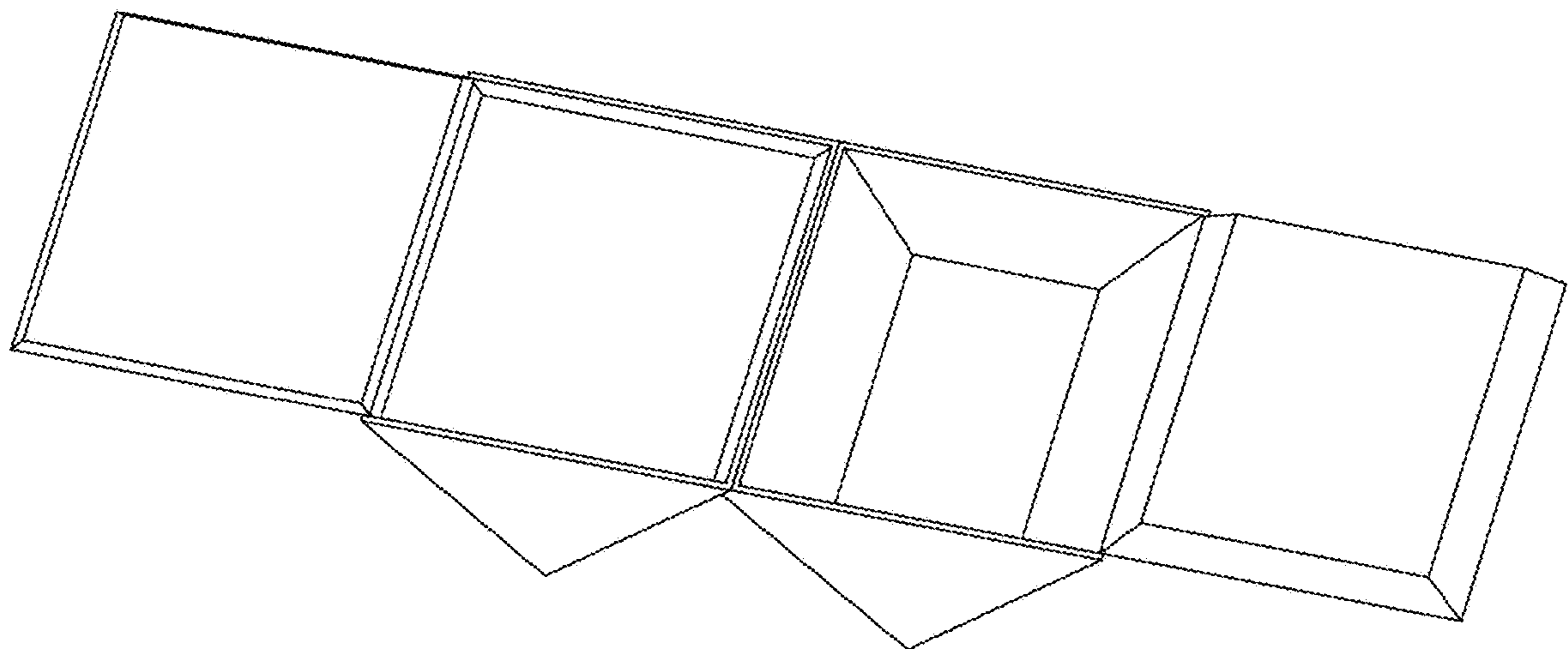
**DESCRIPTION**

3. Packaging box for smokers' accessories  
3. Packaging box for smokers' accessories; **3.1** perspective view, **3.2** front elevation view, **3.3** rear elevation view, **3.4** left side elevation view, **3.5** right side elevation view, **3.6** top plane view, **3.7** bottom plane view; left and right most layers can be swivelled on adjacent parts of box; the box may be closed by swiveling the left and right parts thereof along the center hinge line; product formations may be provided in layers and/or box parts.

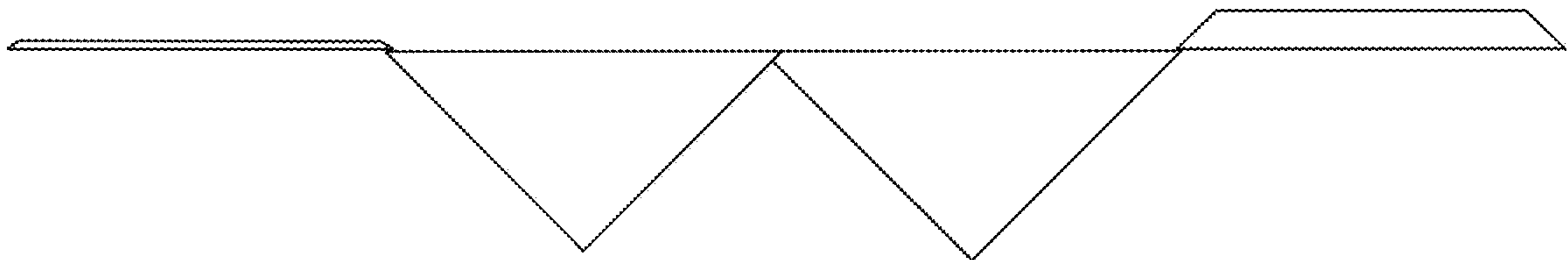
**1 Claim, 7 Drawing Sheets**



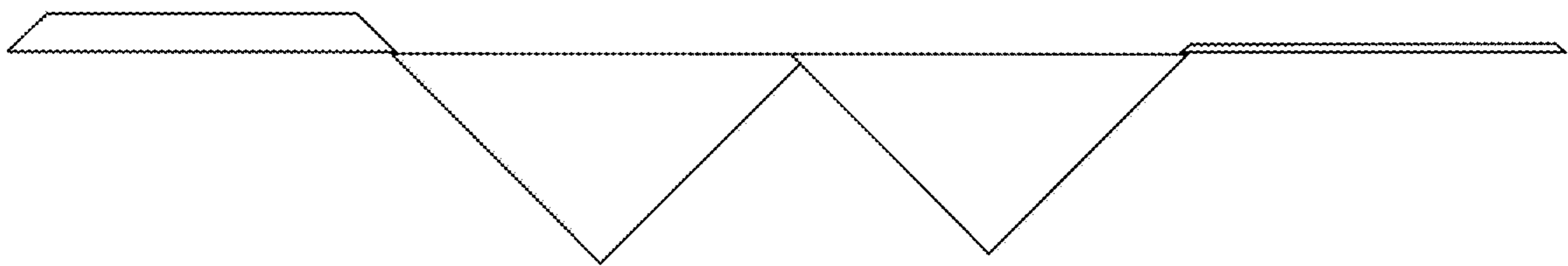
3.1



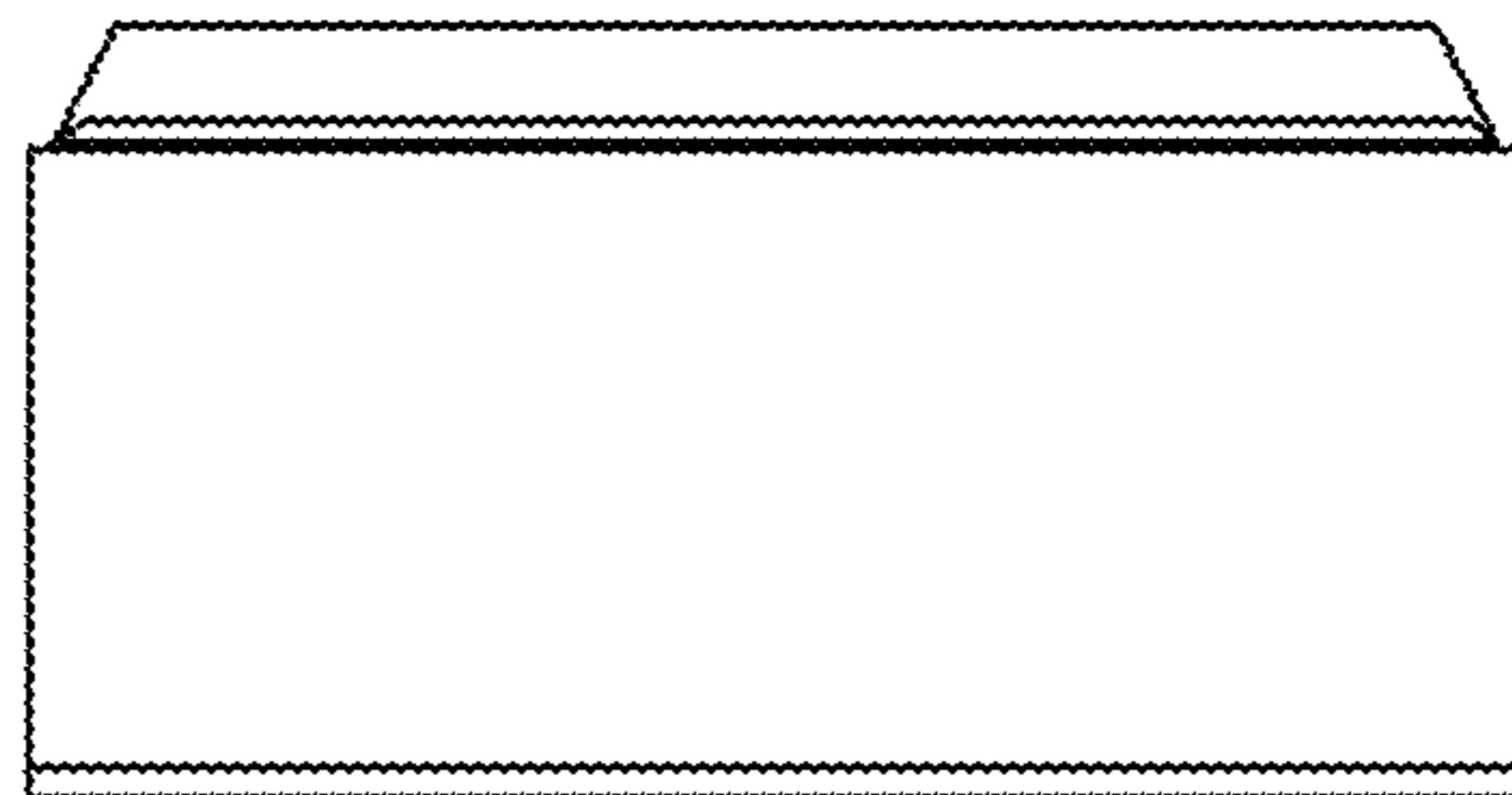
3.2



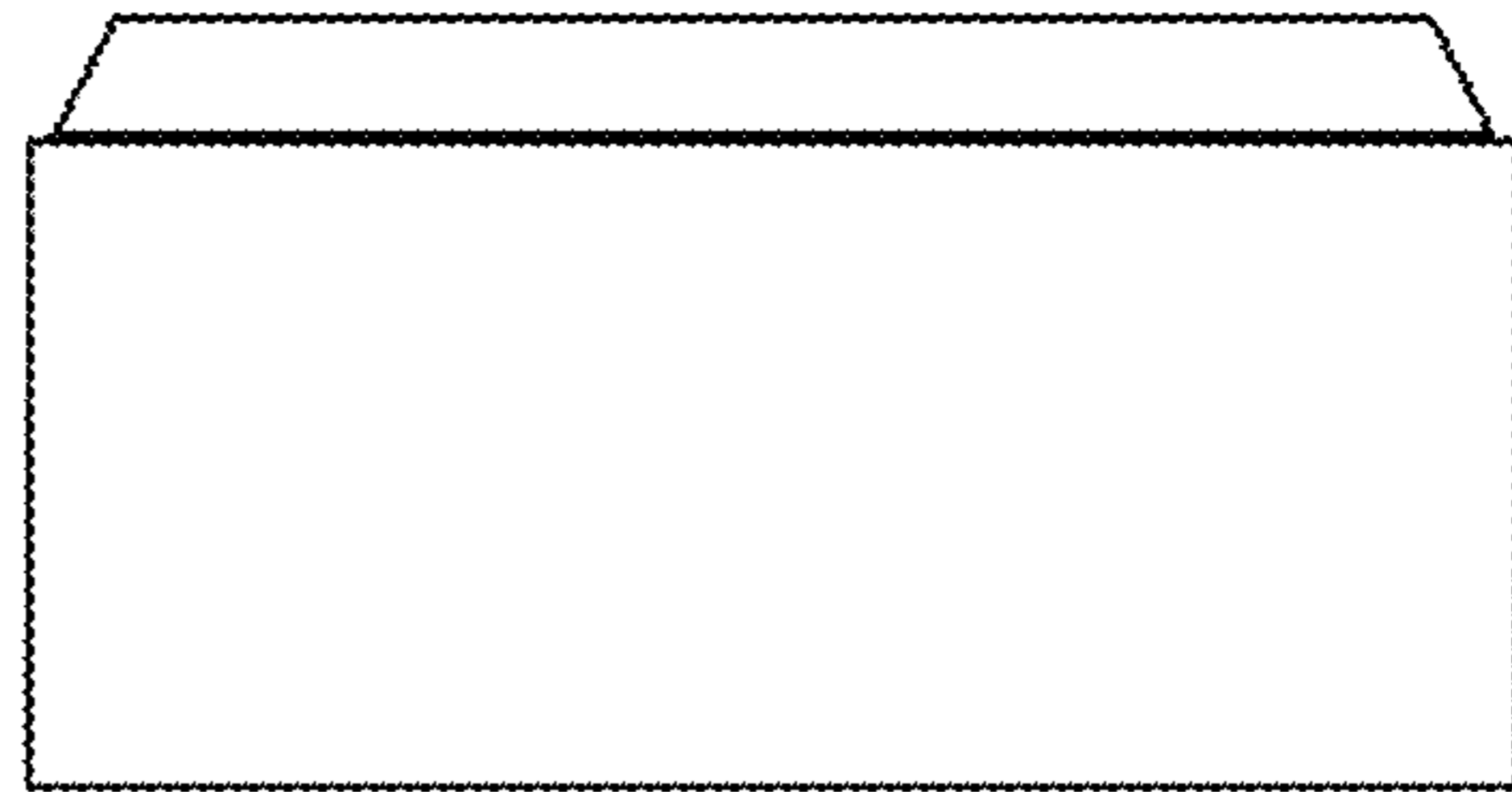
3.3



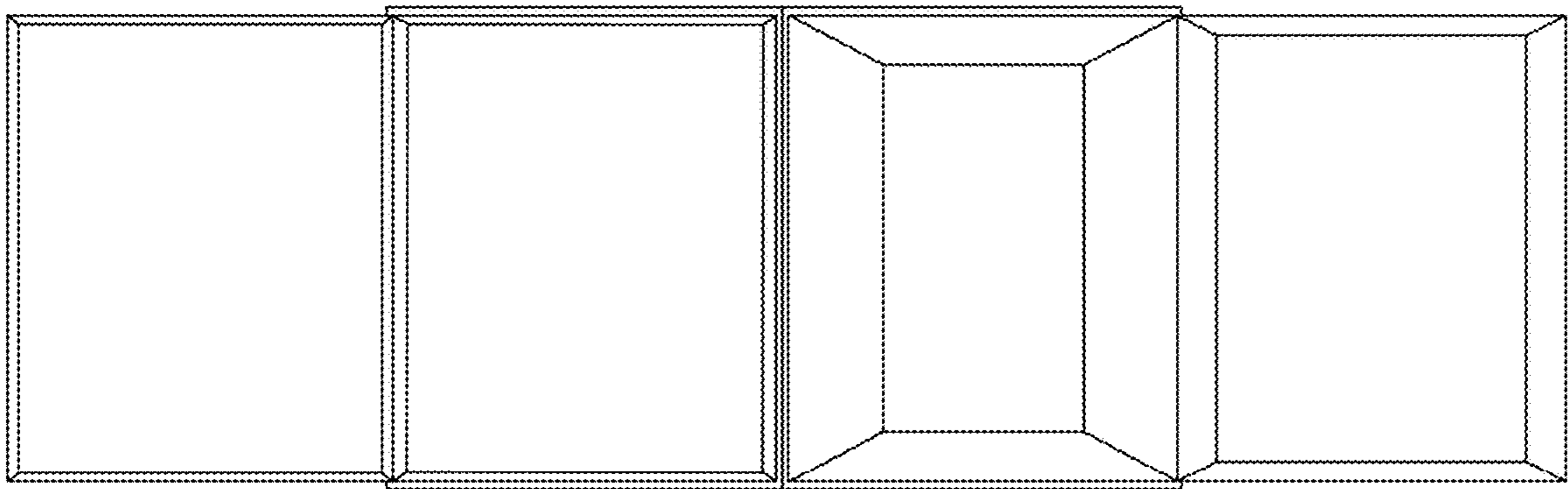
3.4



3.5



3.6



3.7

