



US00D938816S

(12) **United States Design Patent** (10) **Patent No.:** **US D938,816 S**
Byerly et al. (45) **Date of Patent:** **** Dec. 21, 2021**

- (54) **HOSE SUPPORT BRACKET**
- (71) Applicant: **NORDSON CORPORATION**,
Westlake, OH (US)
- (72) Inventors: **David J. Byerly**, Lawrenceville, GA
(US); **Justin A. Clark**, Suwanee, GA
(US); **Duane J. Fisher**, Cumming, GA
(US)
- (73) Assignee: **Nordson Corporation**, Westlake, OH
(US)
- (**) Term: **15 Years**
- (21) Appl. No.: **29/684,472**
- (22) Filed: **Mar. 21, 2019**

- D344,672 S 3/1994 Current
- 5,354,021 A 10/1994 Farrell
- D355,337 S * 2/1995 Eisenbraun D7/620
- D390,101 S * 2/1998 Nygard D8/395
- D411,298 S * 6/1999 Godwin D24/128
- D414,404 S * 9/1999 van de Lande D8/396
- D414,405 S 9/1999 Tompkins
- D414,680 S * 10/1999 Mathews D8/394
- D424,922 S 5/2000 Sherman et al.
- D427,052 S 6/2000 Nagato
- D428,326 S * 7/2000 Nakamura D8/356
- D436,028 S 1/2001 Wagner et al.
- D438,781 S * 3/2001 Leach D8/394
- D438,783 S 3/2001 Elliott
- D439,833 S * 4/2001 Nakamura D8/356
- D440,005 S * 4/2001 Blanton 24/16 R
- D473,129 S 4/2003 Warner et al.
- D475,612 S 6/2003 Wagner et al.
- D487,482 S * 3/2004 Disher D19/65

(Continued)

Related U.S. Application Data

- (62) Division of application No. 29/613,641, filed on Aug. 11, 2017, now Pat. No. Des. 850,248, which is a division of application No. 29/536,433, filed on Aug. 17, 2015, now Pat. No. Des. 798,700.
- (51) **LOC (13) Cl.** **08-08**
- (52) **U.S. Cl.**
USPC **D8/396**
- (58) **Field of Classification Search**
USPC D8/349, 396, 394, 395
CPC A62C 33/04; F16L 3/24; F16L 3/1218;
F16L 3/003
See application file for complete search history.

References Cited

U.S. PATENT DOCUMENTS

- D276,134 S 10/1984 Ericsson
- D285,171 S 8/1986 Russell
- D298,802 S 12/1988 Tekirian
- D307,541 S 5/1990 Tres
- D322,026 S 12/1991 Kanao

Primary Examiner — Cynthia Ramirez

Assistant Examiner — Michael A Maharajh

(74) *Attorney, Agent, or Firm* — BakerHostetler

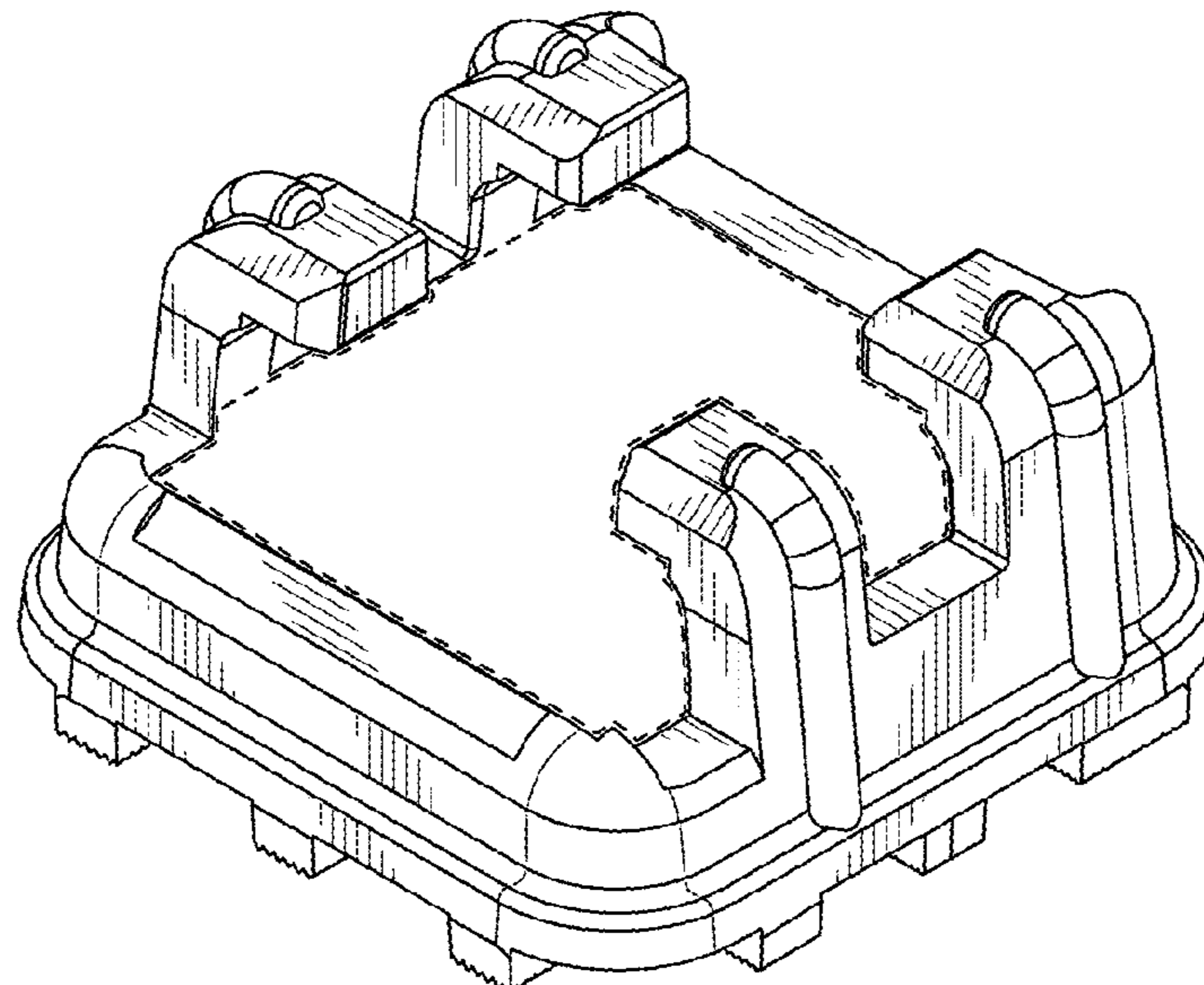
(57) **CLAIM**

The ornamental design for a hose support bracket, as shown and described.

DESCRIPTION

FIG. 1 is a front perspective of a hose support bracket showing our new design;
 FIG. 2 is a rear perspective view thereof;
 FIG. 3 is a front view thereof;
 FIG. 4 is a right side view thereof;
 FIG. 5 is a rear view thereof;
 FIG. 6 is a top view thereof; and,
 FIG. 7 is a bottom view thereof.
 The broken lines in the figures are for the purpose of illustrating portions of the hose support bracket and form no part of the claimed design.

1 Claim, 3 Drawing Sheets



(56)

References Cited

U.S. PATENT DOCUMENTS

D519,024 S *	4/2006	Knight	D8/395	D761,100 S	7/2016	Divers et al.	
D536,607 S	2/2007	Bekkevold		D761,101 S	7/2016	Seo et al.	
D537,331 S *	2/2007	Hill	D8/395	D766,711 S	9/2016	Babbage	
D537,334 S	2/2007	Lee		D775,519 S	1/2017	May	
D540,158 S	4/2007	Smith		D795,684 S *	8/2017	Cacciabeve	B60Q 3/35
D546,666 S	7/2007	Mohlin et al.					D8/394
D550,075 S	9/2007	Tung		D798,699 S	10/2017	Roiser	
D574,228 S	8/2008	Johansson et al.		D798,700 S	10/2017	Byerly et al.	
D576,870 S	9/2008	Eason et al.		D805,887 S *	12/2017	Bauer	D8/394
D577,423 S	9/2008	Dole		D813,025 S	3/2018	Yesavage et al.	
D584,604 S	1/2009	Baldwin		D820,074 S	6/2018	Huettemann et al.	
D594,318 S	6/2009	Fell et al.		D820,076 S	6/2018	Ramirez et al.	
D614,947 S	5/2010	Hennon		D824,755 S *	8/2018	Bauer	D8/394
D619,452 S	7/2010	Ollila		D828,748 S	9/2018	Bancroft et al.	
D625,175 S	10/2010	Balcell		D833,265 S	11/2018	Meola et al.	
D632,555 S	2/2011	Sarkissian		D834,932 S	12/2018	Babbage	
D640,536 S *	6/2011	Larsen	D8/394	D836,185 S	12/2018	Lippka	
D648,620 S	11/2011	Wagner		D850,248 S *	6/2019	Byerly	D8/396
D664,233 S *	7/2012	Heidkamp	D22/108	D856,123 S *	8/2019	Bancroft	D8/395
D665,247 S *	8/2012	Hammond	D8/396	D856,125 S *	8/2019	Milner	D8/396
D682,071 S *	5/2013	Persaud	D8/356	D856,790 S *	8/2019	Webb	D8/394
D692,294 S	10/2013	Koeniger et al.		D858,266 S *	9/2019	Bowman	D8/395
D695,100 S	12/2013	Whitaker et al.		D861,473 S *	10/2019	Yesavage	D8/396
D700,835 S	3/2014	Langlois et al.		D863,051 S *	10/2019	Bancroft	D8/394
D702,113 S	4/2014	Weger et al.		D863,052 S *	10/2019	Bancroft	D8/394
D703,033 S	4/2014	Karlsson		D876,944 S *	3/2020	Fleck	D8/396
D708,053 S	7/2014	Marini		D883,070 S *	5/2020	Zhang	D8/349
D710,190 S	8/2014	Weger et al.		D889,254 S *	7/2020	Copete Vilella	D8/394
D711,730 S	8/2014	McKiernan		D896,352 S *	9/2020	Horning	D23/265
D712,730 S *	9/2014	Gridley	D8/396	D897,828 S *	10/2020	Lin	D8/396
D721,950 S *	2/2015	Quinlan	D8/396	D899,241 S *	10/2020	Gridley	D8/396
D731,299 S	6/2015	Sugiura		D906,787 S *	1/2021	Gaspar	D8/349
D735,025 S	7/2015	Mathien		2011/0011989 A1 *	1/2011	Samolej	F16L 3/24
D738,191 S	9/2015	Nas et al.					248/74.3
D742,213 S	11/2015	Sasanecki		2016/0018023 A1 *	1/2016	Larsson	F16L 1/24
D749,835 S *	2/2016	Whitaker	D3/10				405/184.4
D754,530 S	4/2016	Schroeder		2016/0245428 A1 *	8/2016	Gustin	F16L 3/02
D758,177 S	6/2016	Riccione		2020/0063897 A1 *	2/2020	Kurt	F16L 3/24
				2020/0278050 A1 *	9/2020	Dodge	F16L 3/245

* cited by examiner

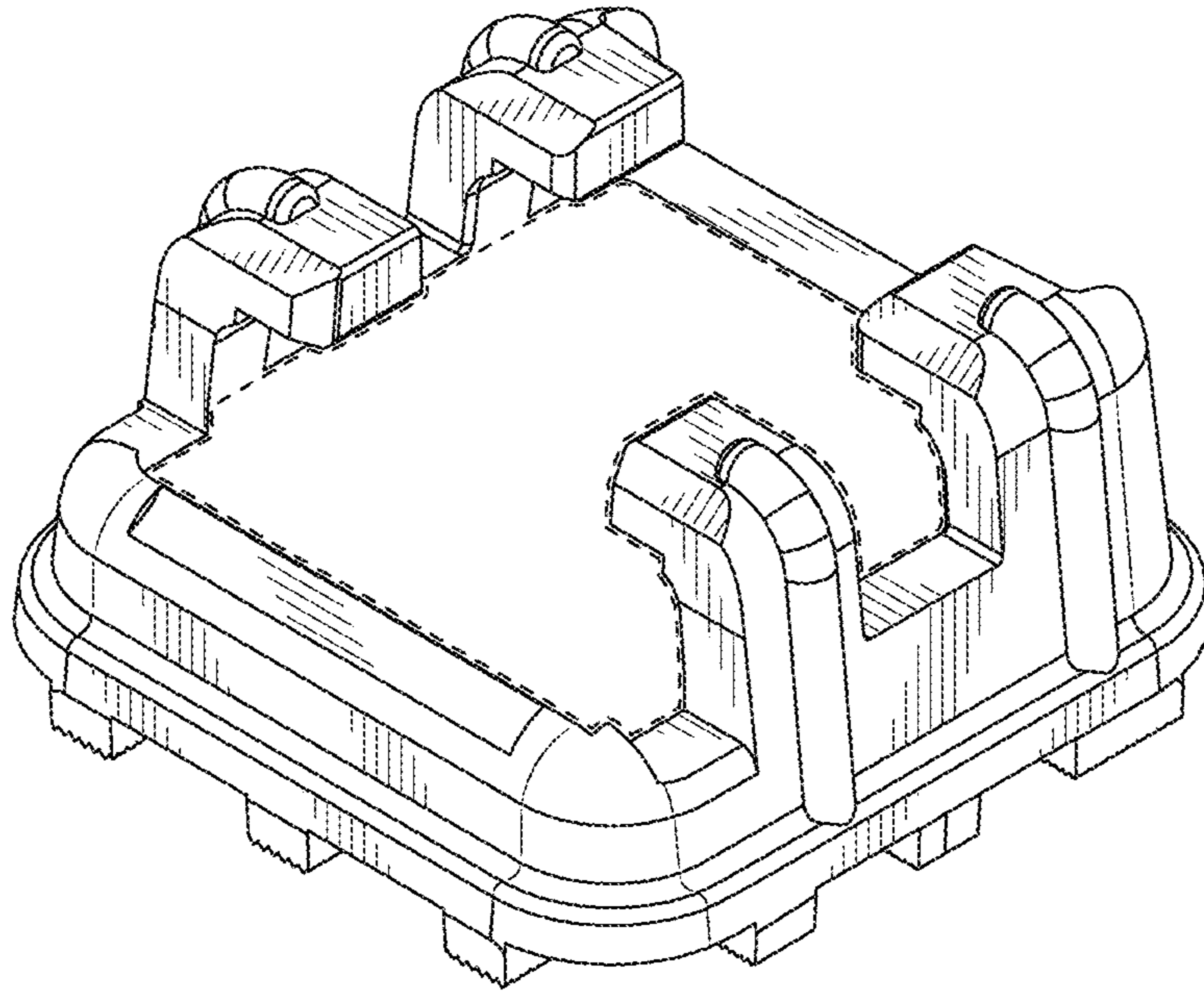


FIG. 1

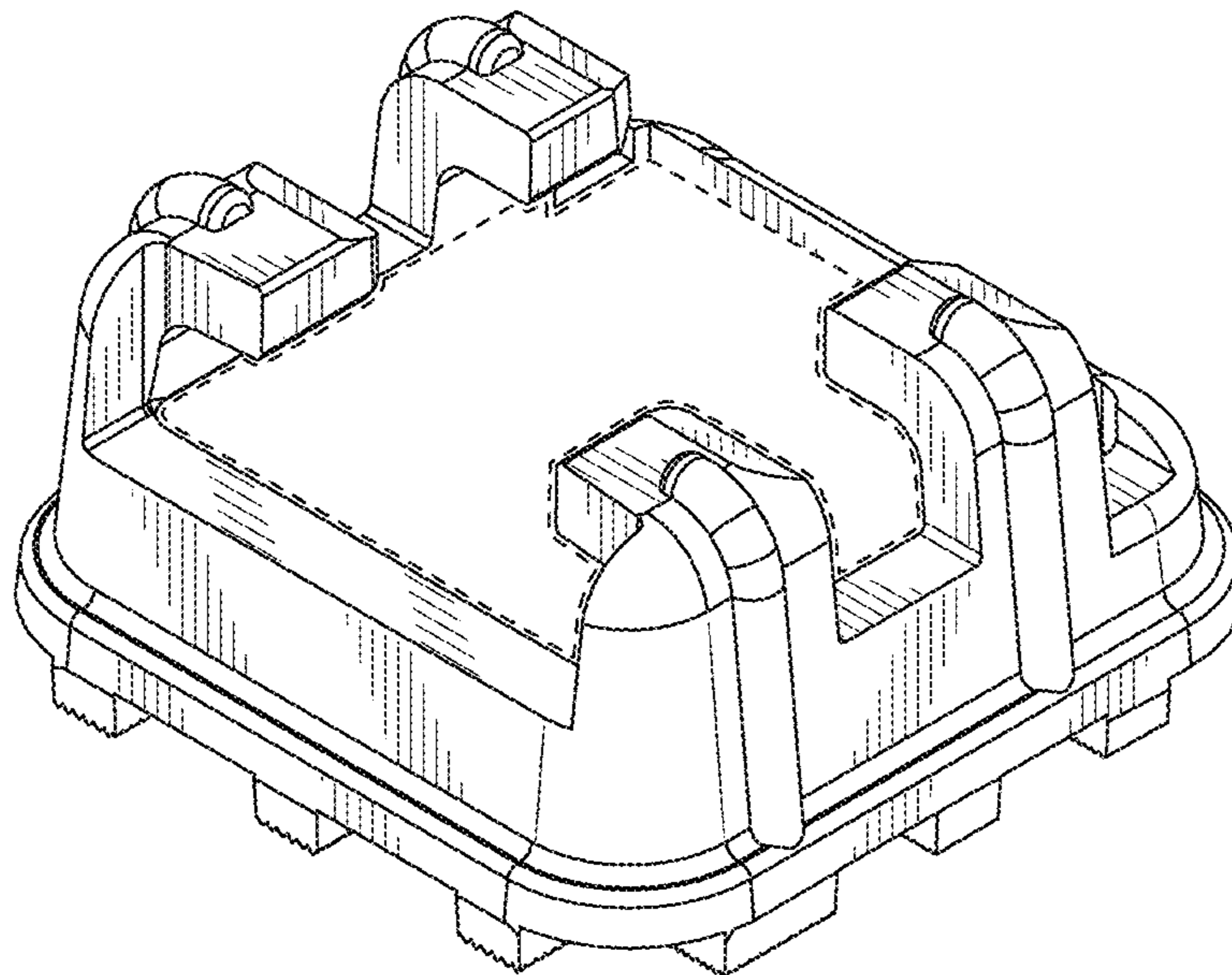


FIG. 2

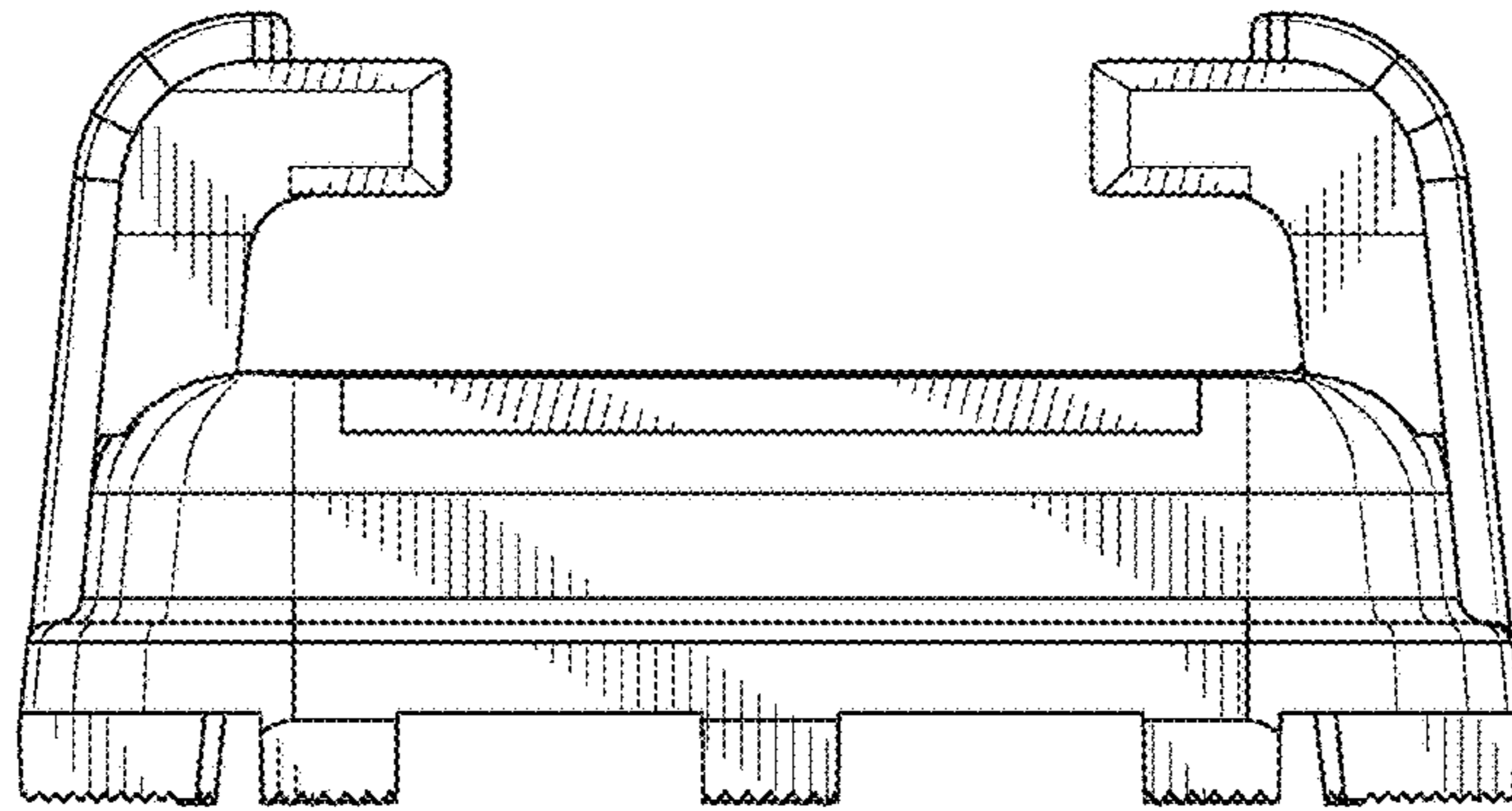


FIG. 3

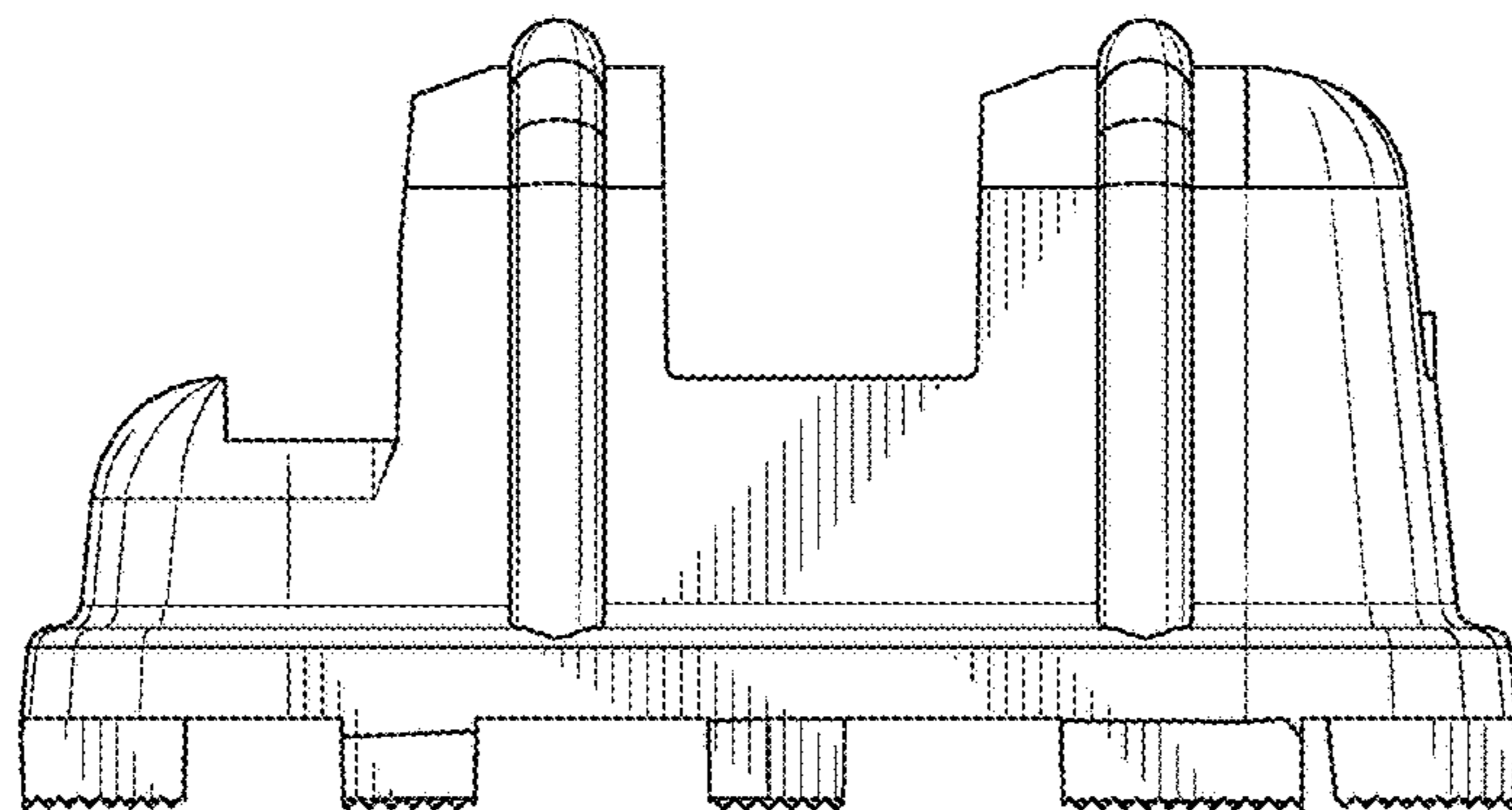


FIG. 4

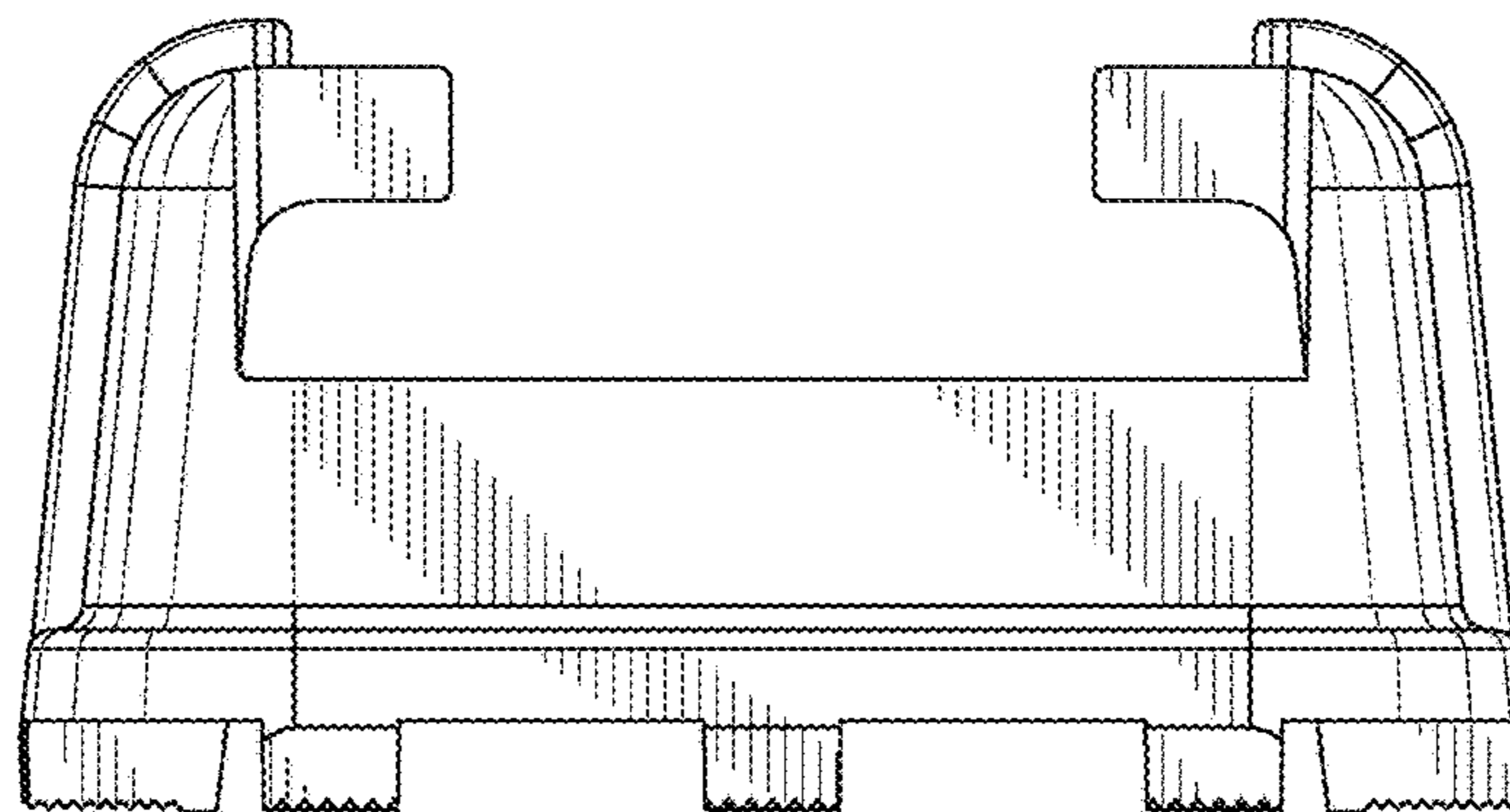


FIG. 5

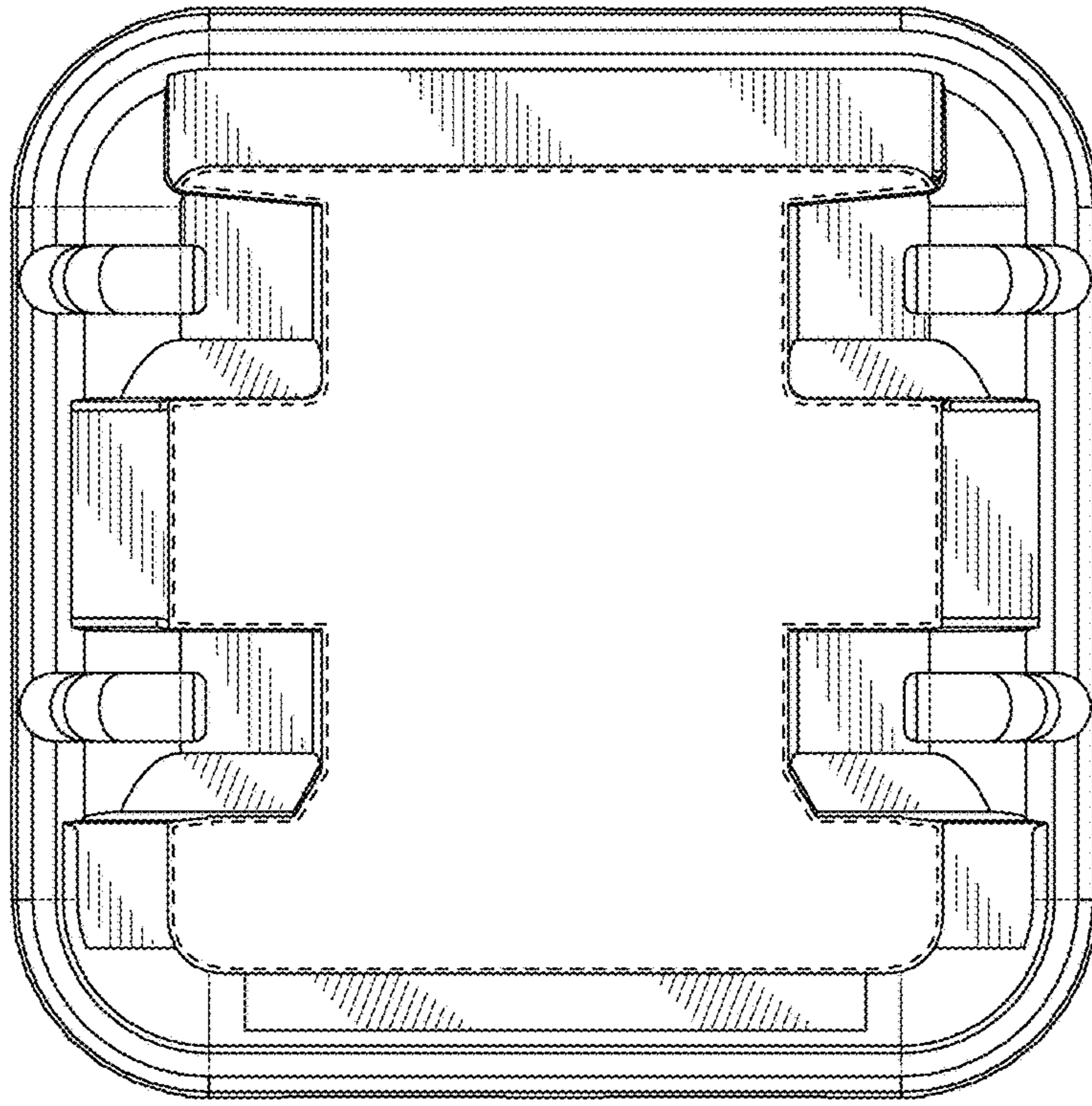


FIG. 6

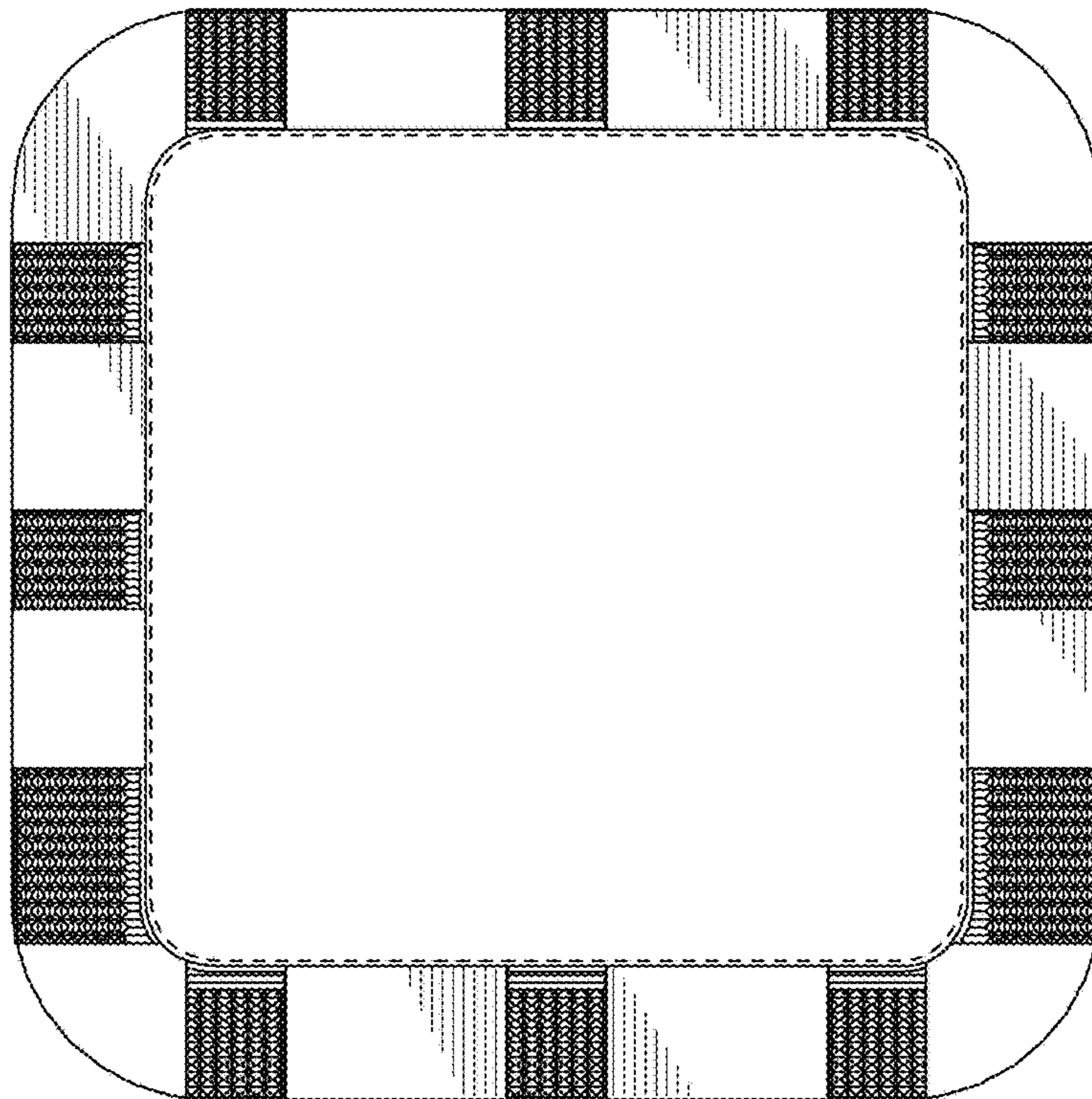


FIG. 7