



US00D938814S

(12) **United States Design Patent**
Wickham et al.

(10) **Patent No.:** **US D938,814 S**
(45) **Date of Patent:** **** Dec. 21, 2021**

(54) **WIRE CLIP**

(71) Applicant: **WIRECARE LIMITED**, Christchurch (NZ)

(72) Inventors: **Marcus Wickham**, Blenheim (NZ);
Chris Williams, Christchurch (NZ);
Dan Drake, Bakersfield, CA (US);
Jaime Fernandez, Bakersfield, CA (US);
Rob Lilley, Christchurch (NZ)

(73) Assignee: **Wirecare Limited**, Christchurch (NZ)

(**) Term: **15 Years**

(21) Appl. No.: **29/682,628**

(22) Filed: **Mar. 6, 2019**

(30) **Foreign Application Priority Data**

Sep. 7, 2018 (NZ) 424928

(51) **LOC (13) Cl.** **08-08**

(52) **U.S. Cl.**
USPC **D8/395**; D8/394

(58) **Field of Classification Search**
USPC D8/349, 382-399; 24/710.5, 711, 336,
24/338, 297, 463; 227/67, 68; 248/74.2,
248/74.3, 316.7

CPC A41H 37/008; A43D 100/08; A44B 1/185;
A44B 9/02; Y10T 24/4689; Y10T 24/24;
A45D 8/16; A45D 8/22; A45D 8/26;
A41D 13/0562; A41D 27/202; A45C
7/0027; B21D 53/52; B21F 45/18; B21F
2405/1414; B65H 2405/1414; B65H
2402/5153; B65H 2301/51; B65H
2301/539; B65D 33/2525; B65D
33/25865; A61M 2005/244; A63F

(Continued)

(56) **References Cited**

U.S. PATENT DOCUMENTS

D372,420 S * 8/1996 Mendez D8/356
D484,400 S * 12/2003 Blake D8/356

(Continued)

FOREIGN PATENT DOCUMENTS

CN 3557994 * 6/2005
CN 301894128 * 6/2011

(Continued)

OTHER PUBLICATIONS

The Cimple Co, Single Coaxial Cable Clips, Cat6, Electrical Wire Cable Clip, Date first available Dec. 22, 2016, [online] retrieved May 15, 2020, available from internet, https://www.amazon.com/CIMPLE-CO-Coaxial-Electrical-Fastener/dp/B01MT1T425/ref=sr_1_18_sspa?crd=F8TJIOW3R41X&dchild=1&keyword=Year:2016.*

(Continued)

Primary Examiner — Keli L Hill

Assistant Examiner — Sara S Sahneh

(74) *Attorney, Agent, or Firm* — David B. Tingey; Bryant J Keller; Kirton McConkie

(57) **CLAIM**

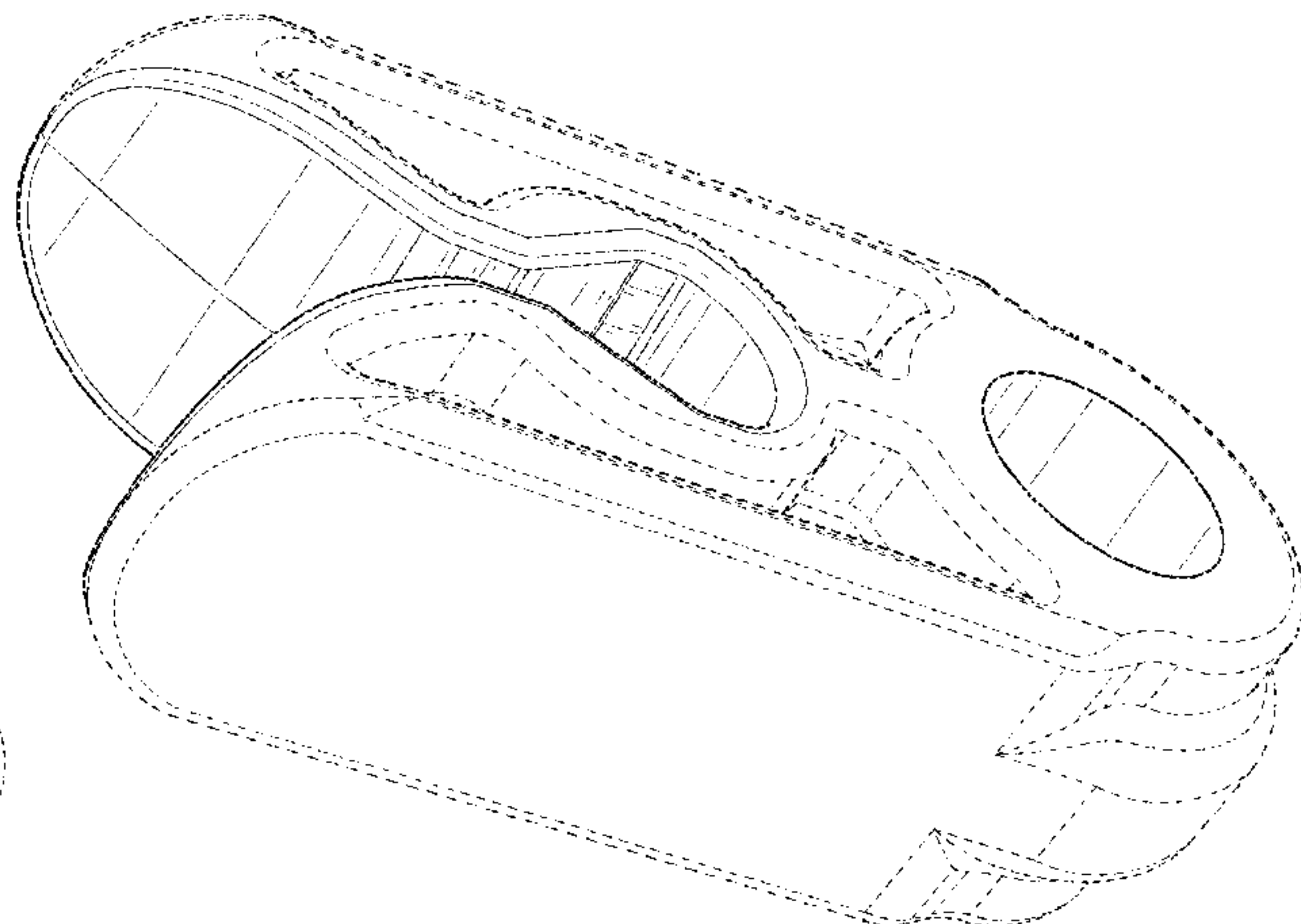
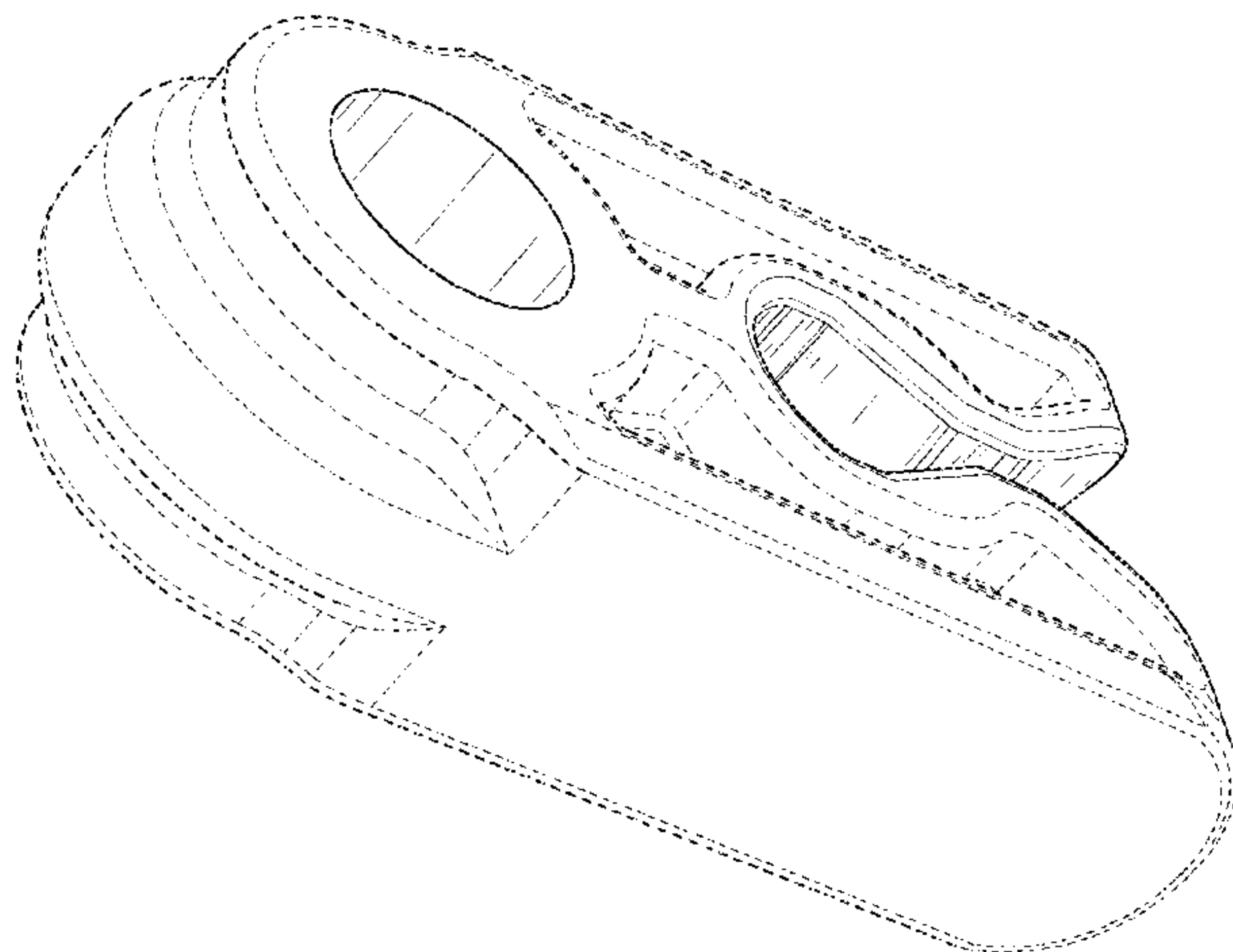
The ornamental design for a wire clip, as shown and described.

DESCRIPTION

FIG. 1 is an isometric bottom right view of our wire clip; FIG. 2 is an isometric top left view thereof; FIG. 3 is an isometric top right view thereof; FIG. 4 is a top view thereof; FIG. 5 is a bottom view thereof; FIG. 6 is a left side view thereof; FIG. 7 is a right side view thereof; FIG. 8 is a back side view thereof; and, FIG. 9 is a front side view thereof.

The broken lines are included for the purpose of illustrating portions of the wire clip and form no part of the claimed design.

1 Claim, 9 Drawing Sheets



(58) **Field of Classification Search**
 CPC . 2003/00735; A47B 2097/003; A63H 33/101;
 A63H 2402/5153; E04B 9/205; B01J
 2219/30257
 See application file for complete search history.

CN	304442180	* 7/2017
CN	305490182	* 4/2019
CN	305755808	* 11/2019
CN	306031706	* 9/2020
CN	306366559	* 10/2020
EM	002309823-0001	10/2013
EM	006286084-0004	* 3/2019
GB	6102777	* 10/2020
JP	D1434568	* 6/2011
JP	D1452854	* 3/2012
NZ	417412	3/2014
NZ	418592	3/2014

(56) **References Cited**

U.S. PATENT DOCUMENTS

D507,481	S	*	7/2005	Blake	D8/356
D549,058	S	*	8/2007	Shibata	D8/14
D570,203	S	*	6/2008	Shiomoto	24/297
D572,129	S	*	7/2008	Keays	24/297
D664,838	S	*	8/2012	Parks	D8/395
D759,476	S	*	6/2016	Iwahara	D8/395
D781,694	S	*	3/2017	Iwata	D8/394
D810,555	S	*	2/2018	O'Brien	D8/394
D884,885	S	*	5/2020	Hu	D24/128
2005/0155191	A1	*	7/2005	Asano	F16B 5/0657 24/297
2008/0172845	A1	*	7/2008	Nakajima	F16B 5/065 24/297

FOREIGN PATENT DOCUMENTS

CN	302464927	*	6/2013
CN	303365594	*	4/2015
CN	304304727	*	2/2017

OTHER PUBLICATIONS

SOULWIT, 100 Pcs Self Adhesive Cable Management Clips, SOULWIT Adjustable Cable Organizers Sticky Wire Clips Cord Holder , Date first available Jun. 19, 2020, [online]retrieved Dec. 31, 2020, available from internet, <https://www.amazon.com/Adhesive-Management-SOULWIT-Adjustable-Organizers/dp/B08BC99P9H/> re (Year: 2020).*

Rustark, Self-Adhesive Cable Clip, Date first available May 2, 2017, [online]retrieved Apr. 6, 2021,available from https://www.amazon.com/Rustark-Adjustable-Multipurpose-Self-adhesive-Organizers/dp/B071KZDDG3/ref=pd_di_scai_7?pd_rd_w=Rmndsl&pf_rd_p=c9443270-b914-4430-a90b-72e3e7e784e0&pf_rd_r=009P32W5DNG4 (Year: 2017).*

* cited by examiner

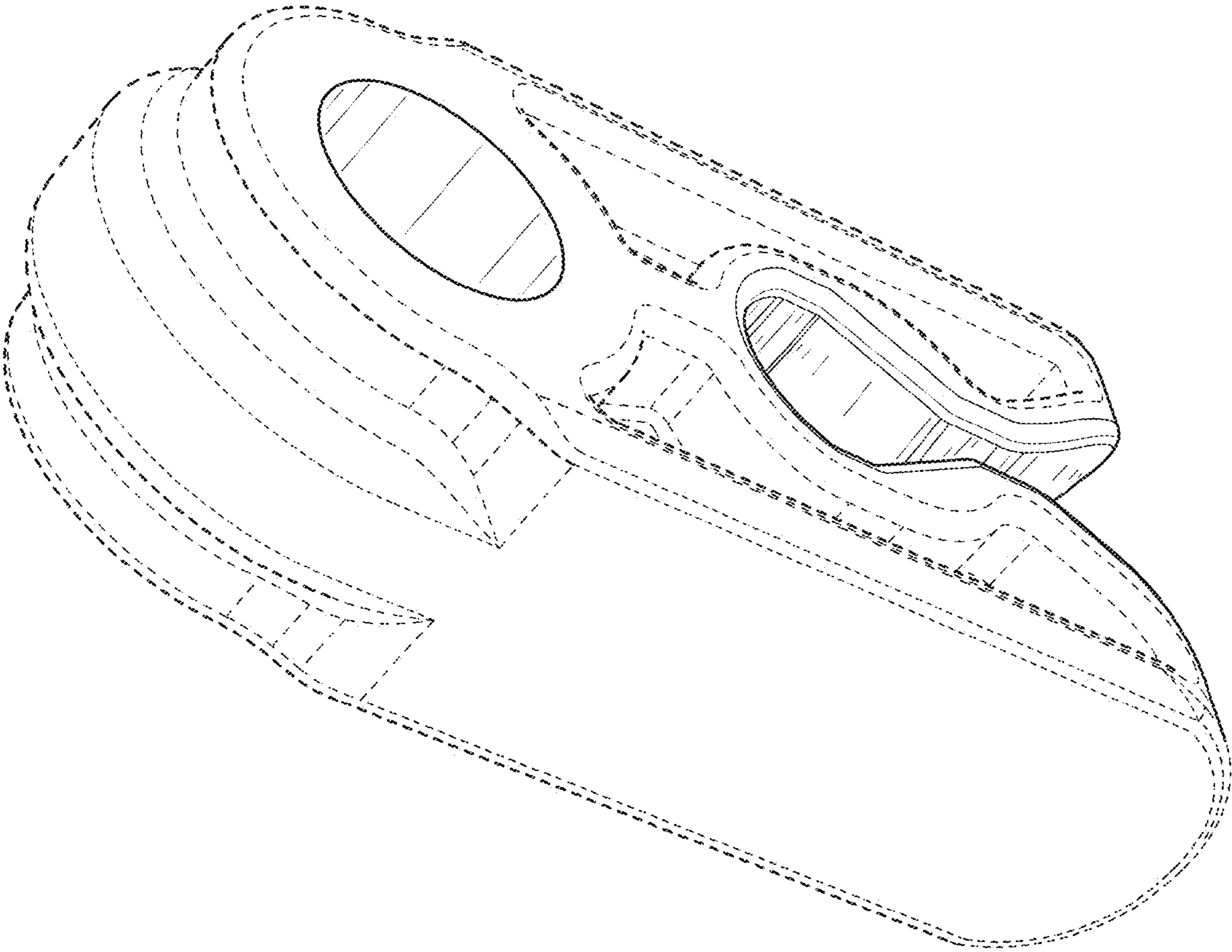


FIG. 1

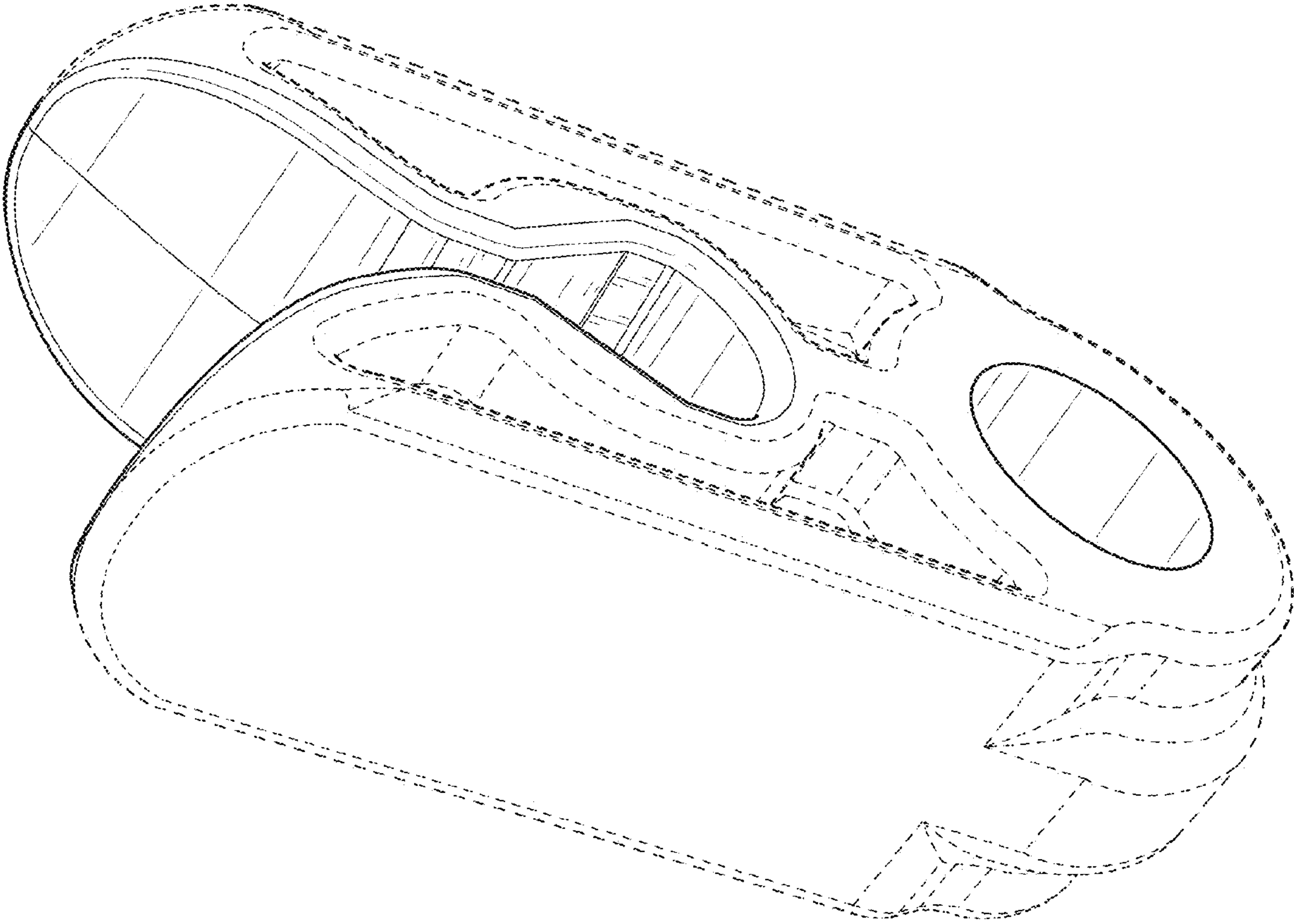


FIG. 2

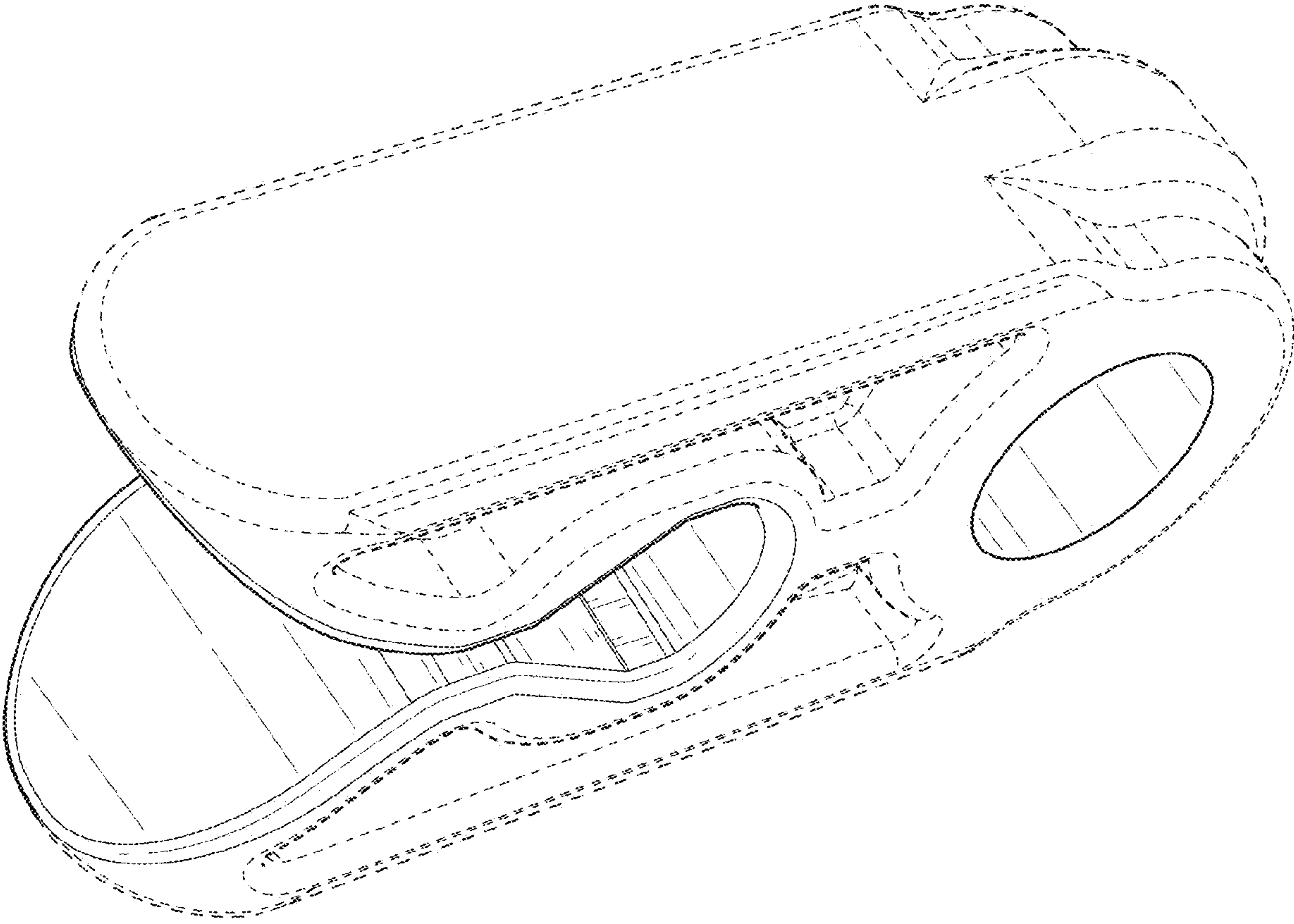


FIG. 3

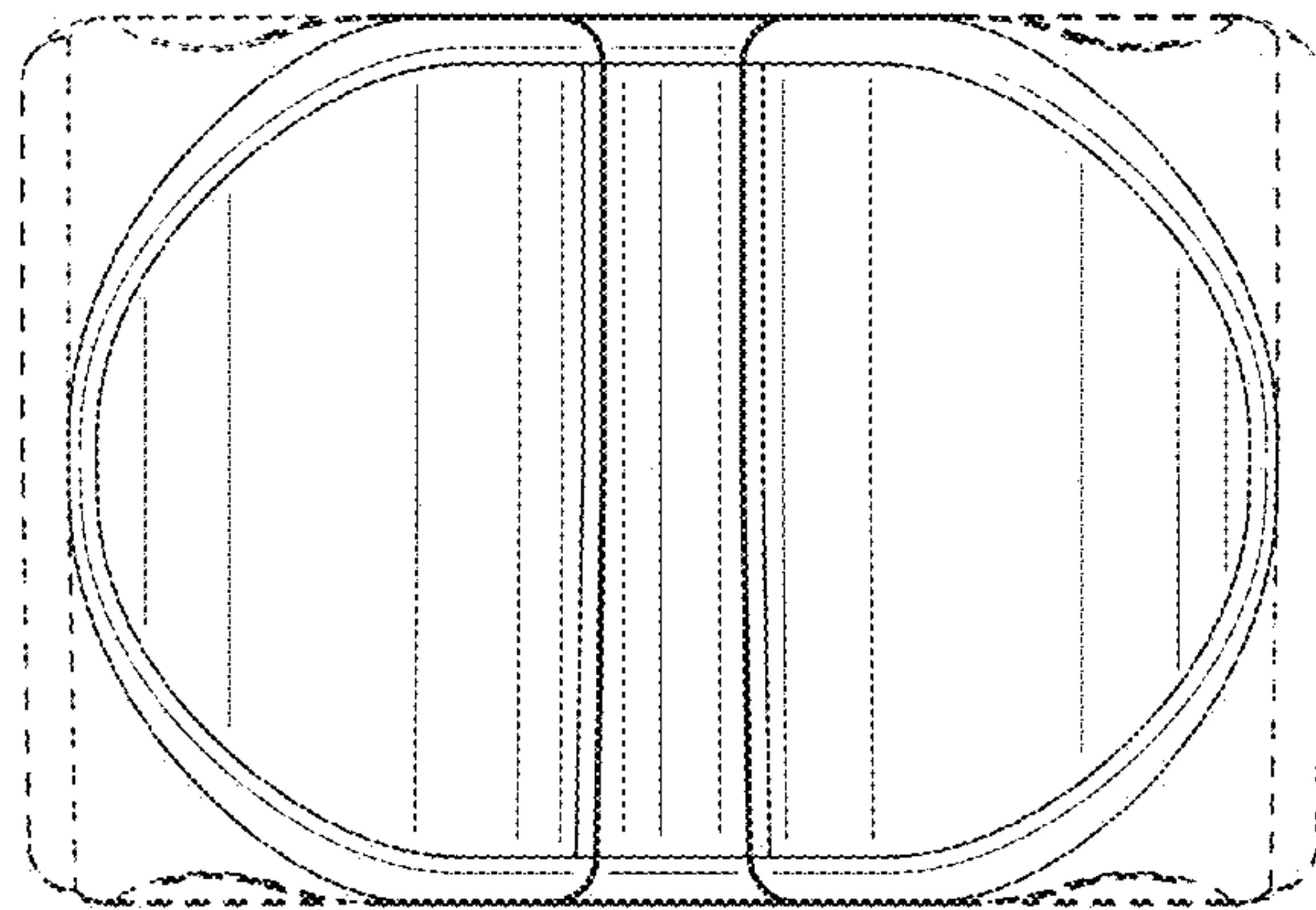


FIG. 4

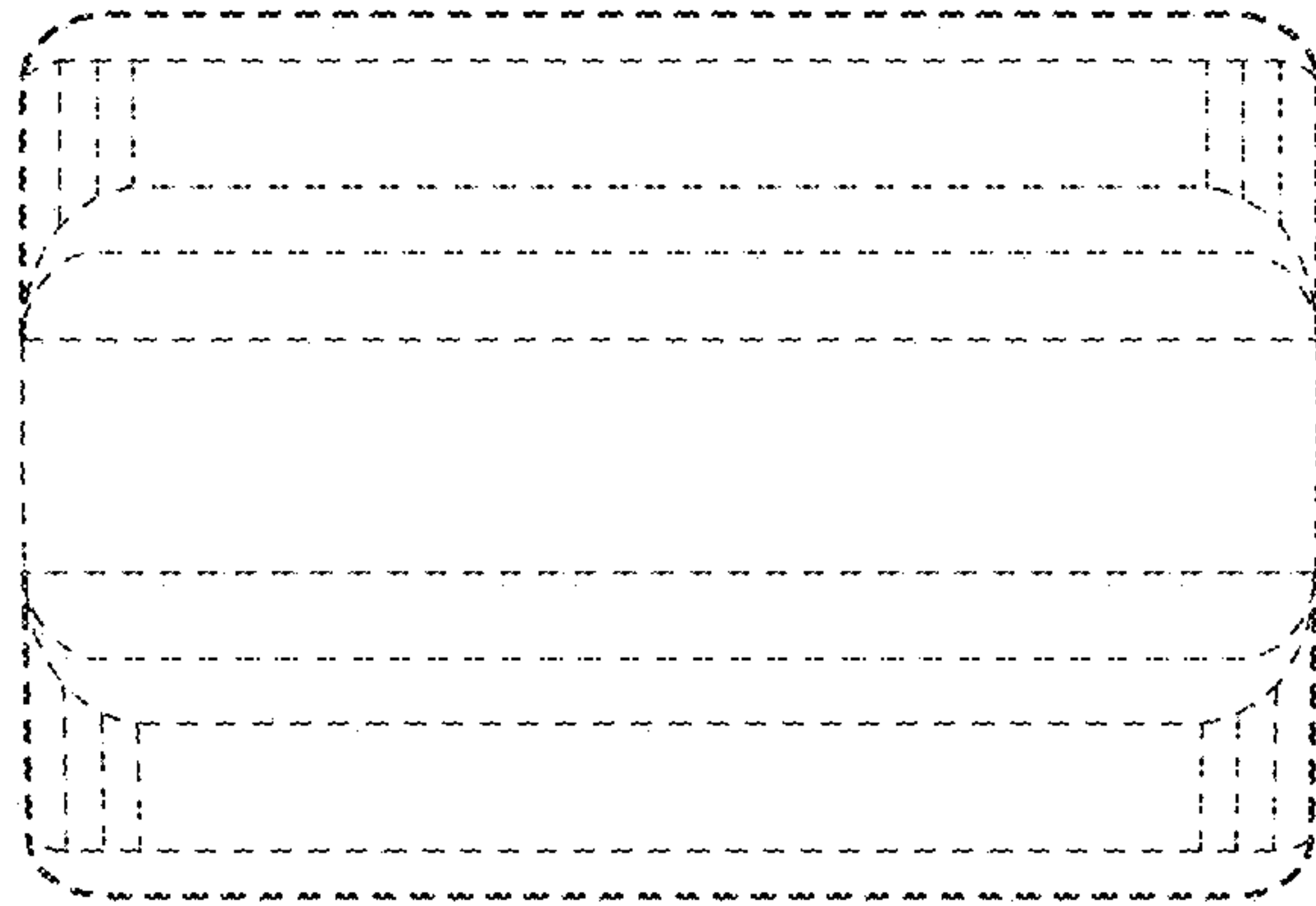


FIG. 5

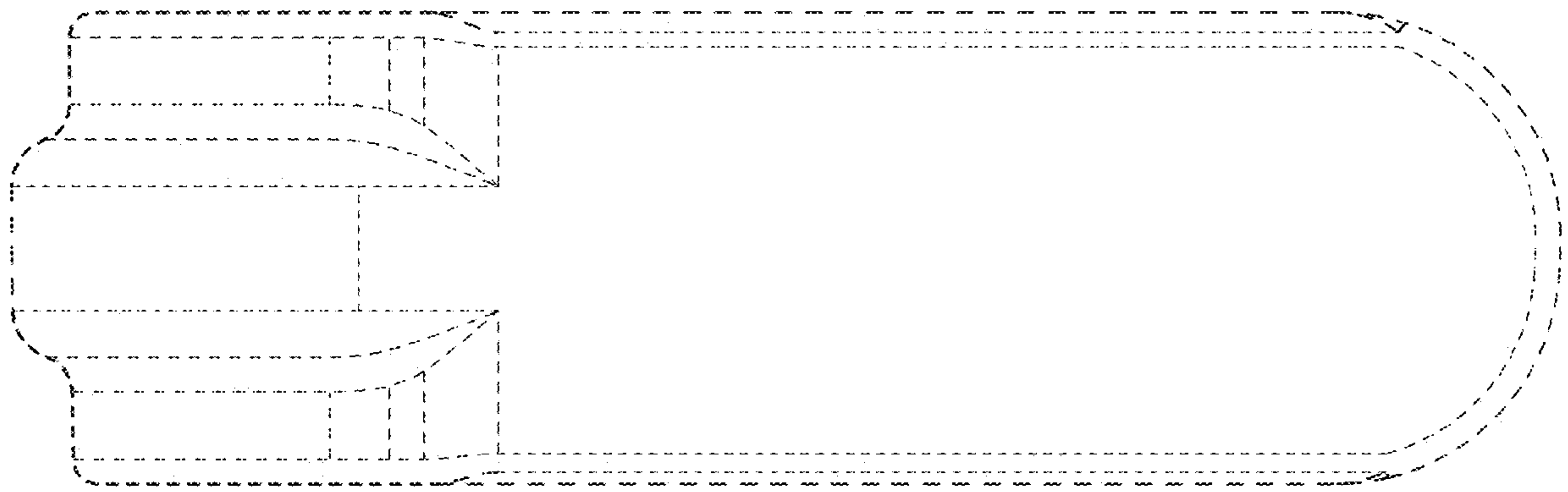


FIG. 6

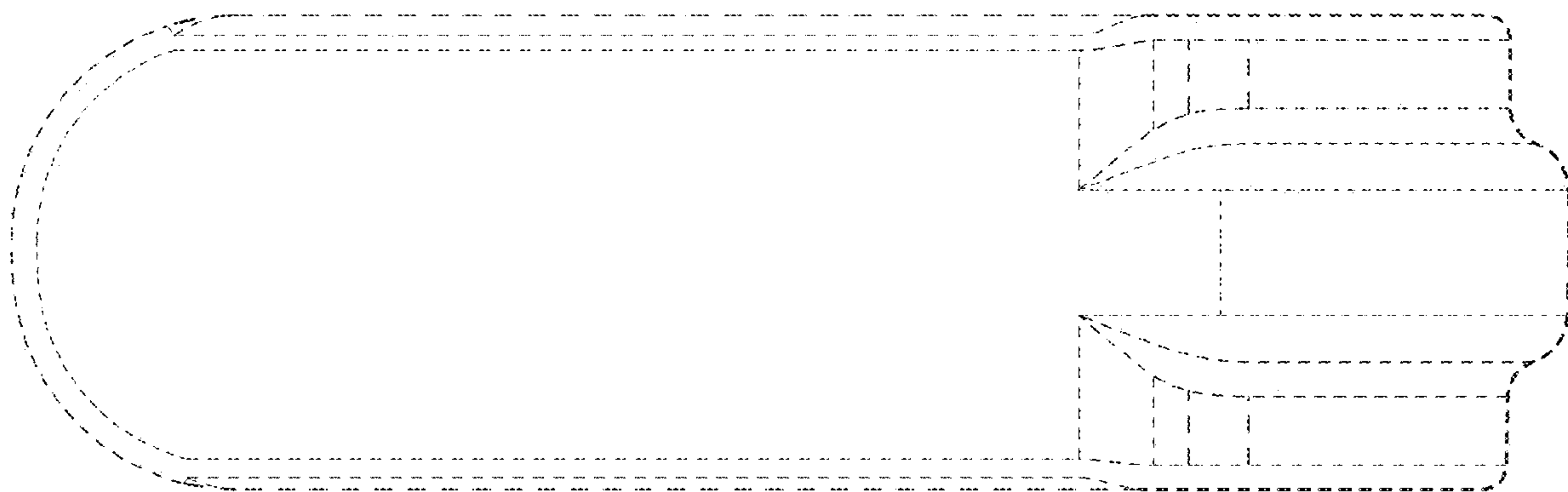


FIG. 7

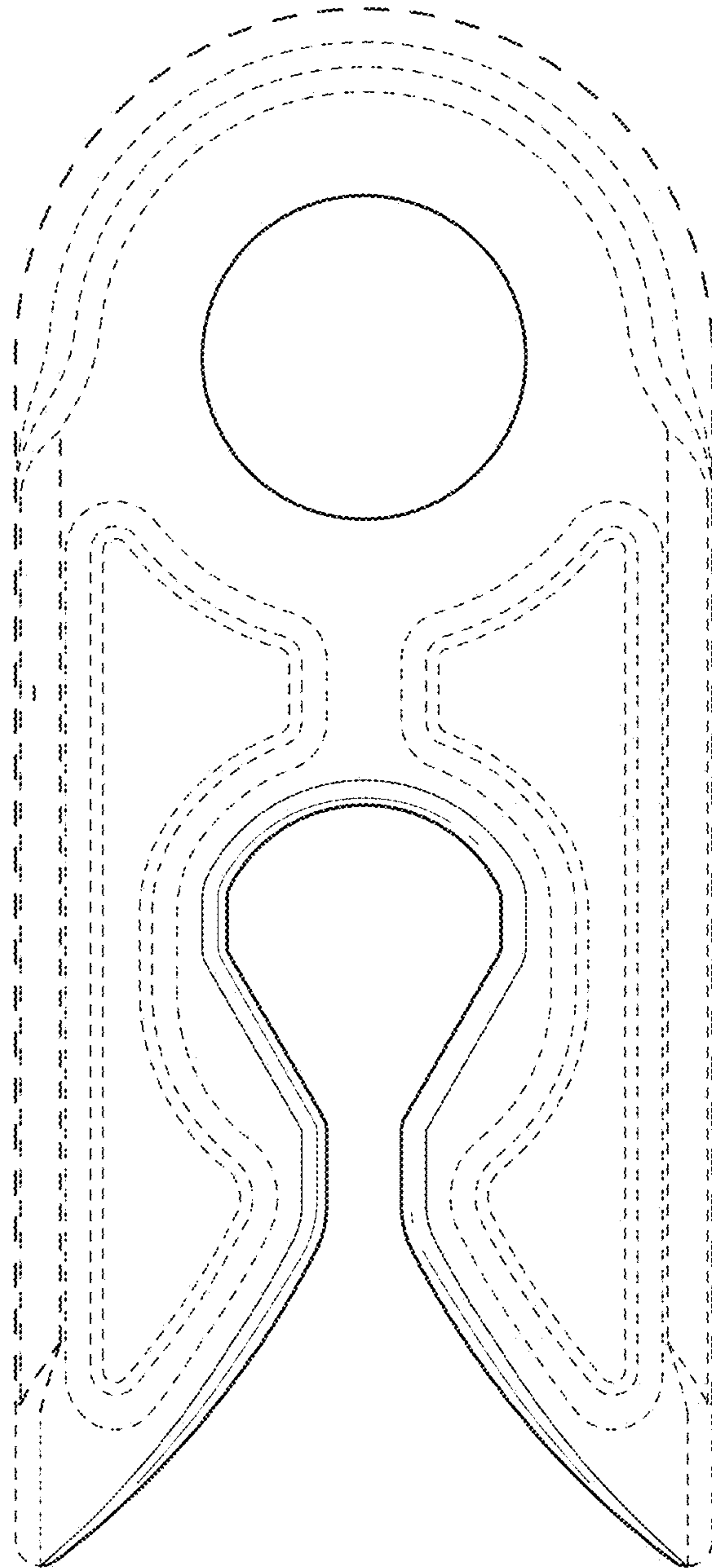


FIG. 8

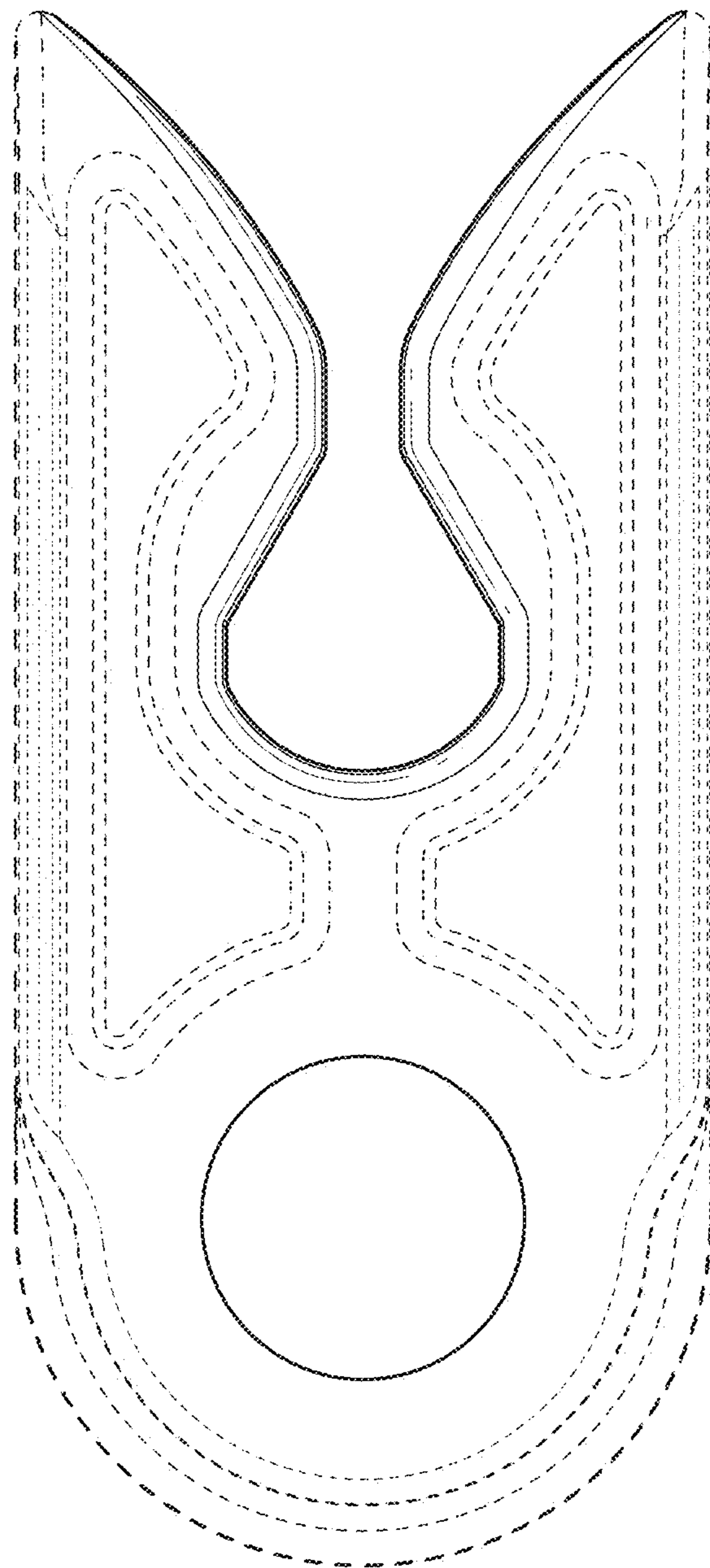


FIG. 9