



US00D938813S

(12) **United States Design Patent** (10) **Patent No.:** **US D938,813 S**
Newton (45) **Date of Patent:** **** Dec. 21, 2021**

(54) **PIPE CLIP**
(71) Applicant: **Talon Manufacturing Ltd**, Gillingham (GB)
(72) Inventor: **Ian Roy Newton**, Gillingham (GB)
(73) Assignee: **Talon Manufacturing LTD.**, Kent (GB)

D647,784 S * 11/2011 McNamara D8/349
D658,053 S * 4/2012 Okun D8/396
D829,090 S * 9/2018 Toll D8/396
D889,254 S * 7/2020 Copete Vilella D8/394
D909,844 S * 2/2021 Van Hulst D8/72
D915,866 S * 4/2021 Park D8/349
D916,990 S * 4/2021 Singanallur Murali D21/694

(Continued)

(**) Term: **15 Years**

GB 2485844 B * 5/2012 F16L 3/13

(21) Appl. No.: **29/739,349**

OTHER PUBLICATIONS

(22) Filed: **Jun. 24, 2020**

“Uxcell Pipe Clips”, May 22, 2014, Amazon.com, site visited Oct. 6, 2021: <https://www.amazon.com/Uxcell-a13122400ux0151-White-Clamps-Supply/dp/B00KHSUY38> (Year: 2014).*

(51) **LOC (13) Cl.** **08-08**

(52) **U.S. Cl.**
USPC **D8/394**

(Continued)

(58) **Field of Classification Search**
USPC D8/70–72, 371–377, 394–398
CPC F16L 1/00; F16L 3/00; F16L 3/08; F16L 3/1058; F16L 3/12; F16L 3/13
See application file for complete search history.

Primary Examiner — Jack Reickel
Assistant Examiner — Michael A Kervin
(74) *Attorney, Agent, or Firm* — Ferguson Braswell
Fraser Kubasta PC

(56) **References Cited**

(57) **CLAIM**

U.S. PATENT DOCUMENTS

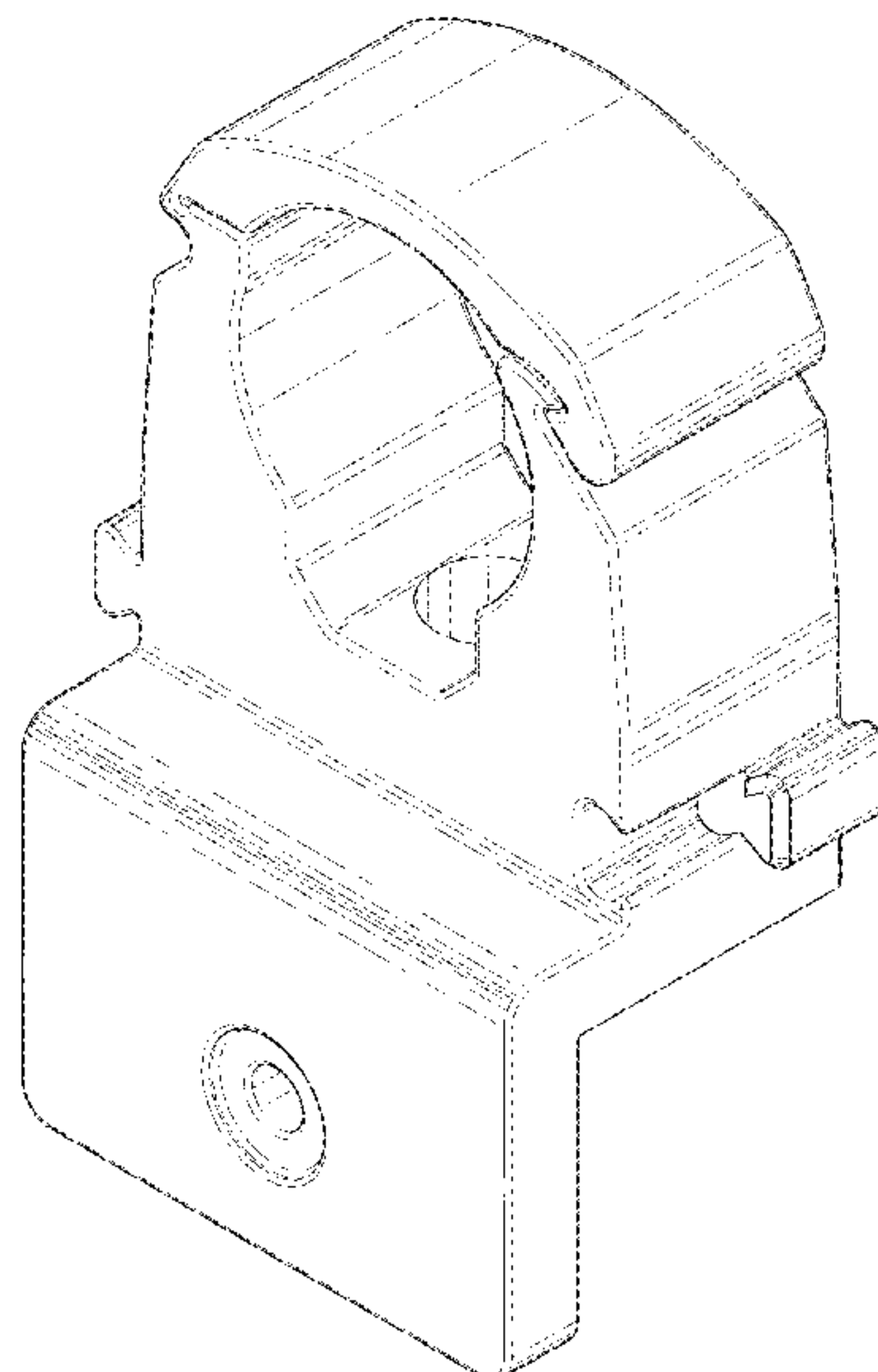
The ornamental design for a pipe clip, as shown and described.

- 4,291,855 A * 9/1981 Schenkel F16L 3/12
248/74.1
- 4,802,646 A * 2/1989 Cattani F16L 3/1203
24/20 CW
- D338,827 S * 8/1993 Rumble D8/380
- D380,144 S * 6/1997 Lew D8/380
- D414,404 S * 9/1999 van de Lande D8/396
- D424,922 S * 5/2000 Sherman D8/395
- D438,781 S * 3/2001 Leach D8/394
- D448,657 S * 10/2001 Calvert F16L 3/13
D8/396
- D521,366 S * 5/2006 Polak D8/383
- D614,947 S * 5/2010 Hennon D8/396
- 7,784,745 B2 * 8/2010 Dodge F16L 3/1075
248/73
- D640,536 S * 6/2011 Larsen D8/394

DESCRIPTION

FIG. 1 is a perspective view of the pipe clip in a closed configuration.
FIG. 2 is a perspective view of the pipe clip in an open configuration.
FIG. 3 is a front view of the pipe clip.
FIG. 4 is a back view of the pipe clip.
FIG. 5 is a left view of the pipe clip.
FIG. 6 is a right view of the pipe clip.
FIG. 7 is a top view of the pipe clip; and,
FIG. 8 is a bottom view of the pipe clip.

1 Claim, 6 Drawing Sheets



(56)

References Cited

U.S. PATENT DOCUMENTS

11,125,356 B2 * 9/2021 Gallegos F16L 3/1058
2010/0264277 A1 * 10/2010 Gardner F16L 3/133
248/58
2011/0126934 A1 * 6/2011 Thuesen F16L 3/1058
138/106
2013/0193289 A1 * 8/2013 Goffman B62J 11/00
248/231.51

OTHER PUBLICATIONS

“Arlington QuickLatch Pipe Hanger”, Nov. 18, 2014, Amazon.com, site visited Oct. 6, 2021: <https://www.amazon.com/Arlington-NM2015-Plastic-Hanger-QuickLatchTM/dp/B00PSMNW7I> (Year: 2014).*

“Press Fittings”, Oct. 31, 2015, YouTube.com, site visited Oct. 6, 2021: <https://www.youtube.com/watch?v=83L0t-TB0qM> (Year: 2015).*

“Pex Half-Clamp”, Jan. 22, 2016, Amazon.com, site visited Oct. 6, 2021: <https://www.amazon.com/Pexflow-PXKT-CL1234-Pex-Half-Clamp-Applications/dp/B01AXZJDMW> (Year: 2016).*

“SnapnStrut Pipe Hanger”, Jan. 17, 2017, Amazon.com, site visited Oct. 6, 2021: <https://www.amazon.com/SnapnStrut-Snapnstrut-White-Inch-Pipe/dp/B01N9SODOU> (Year: 2017).*

“Suspension Pipe Clamps”, Sep. 6, 2017, Amazon.com, site visited Oct. 6, 2021: <https://www.amazon.com/Suspension-Pipe-Clamps-Copper-CPVC/dp/B075F85ZXD> (Year: 2017).*

“Talon Hinged Clip”, Jun. 6, 2019, Facebook.com, site visited Oct. 6, 2021: <https://www.facebook.com/talon.co.uk/photos/a.1247595428650447/2199680686775245/?type=3&theater> (Year: 2019).*

* cited by examiner

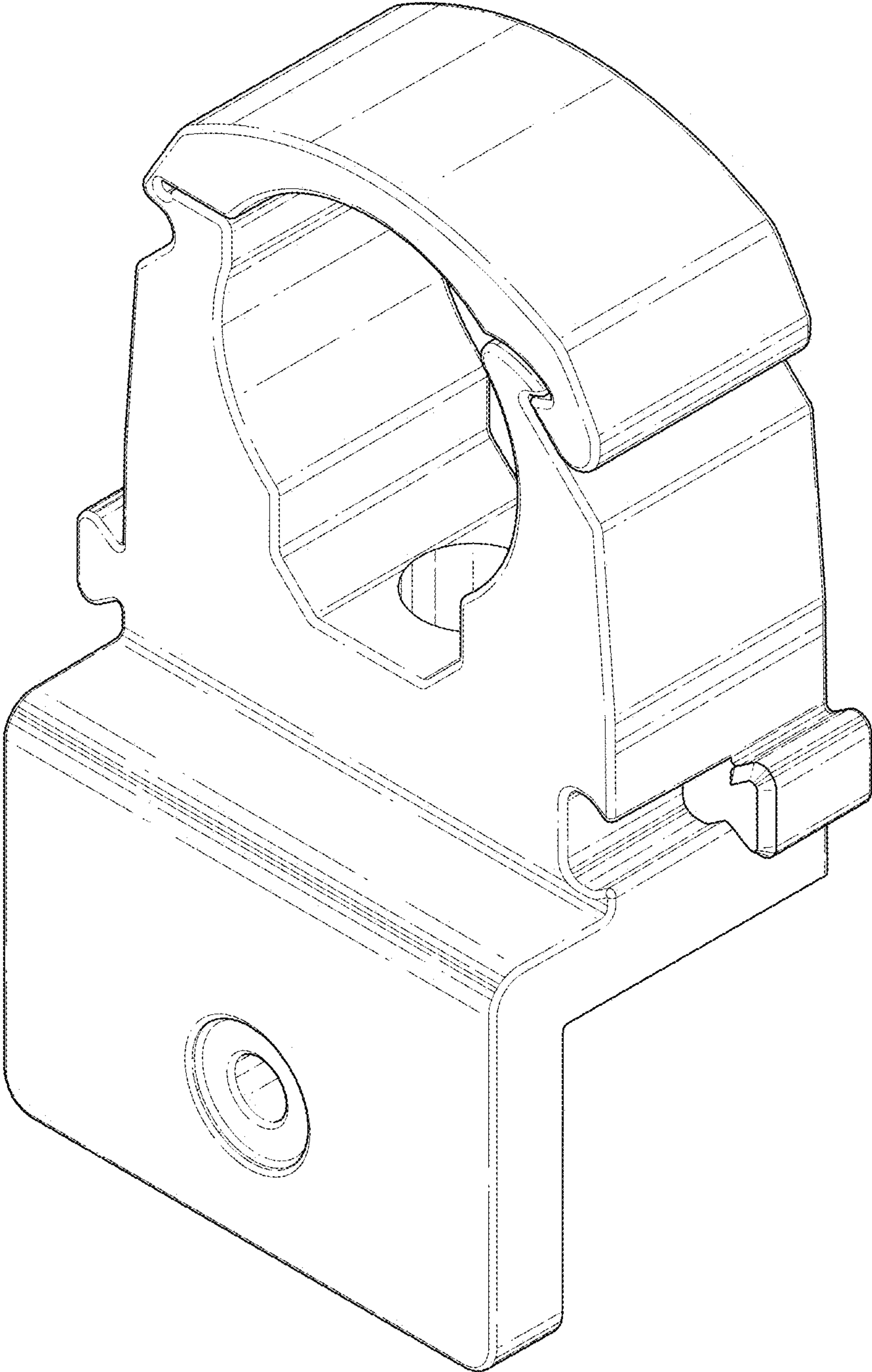


FIG. 1

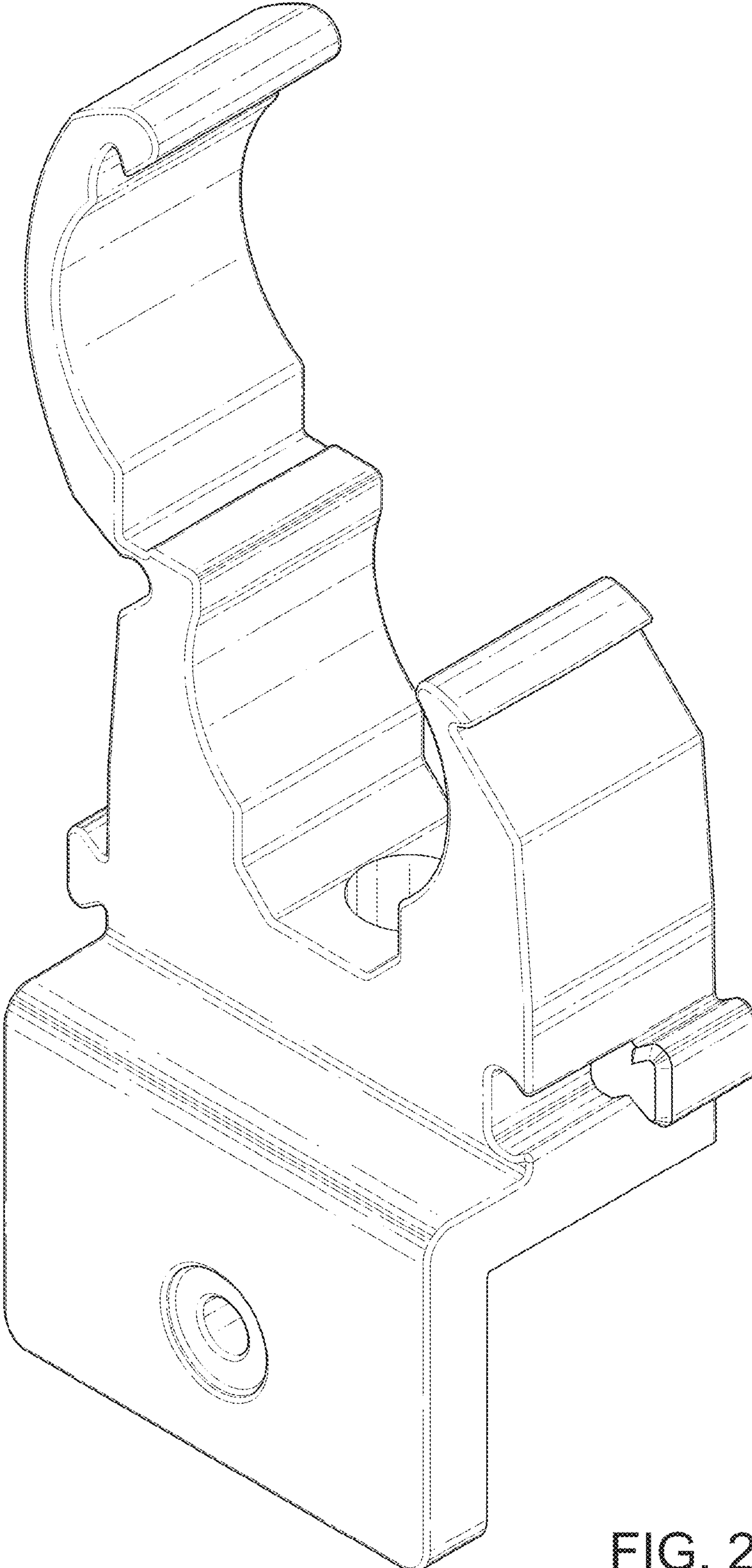


FIG. 2

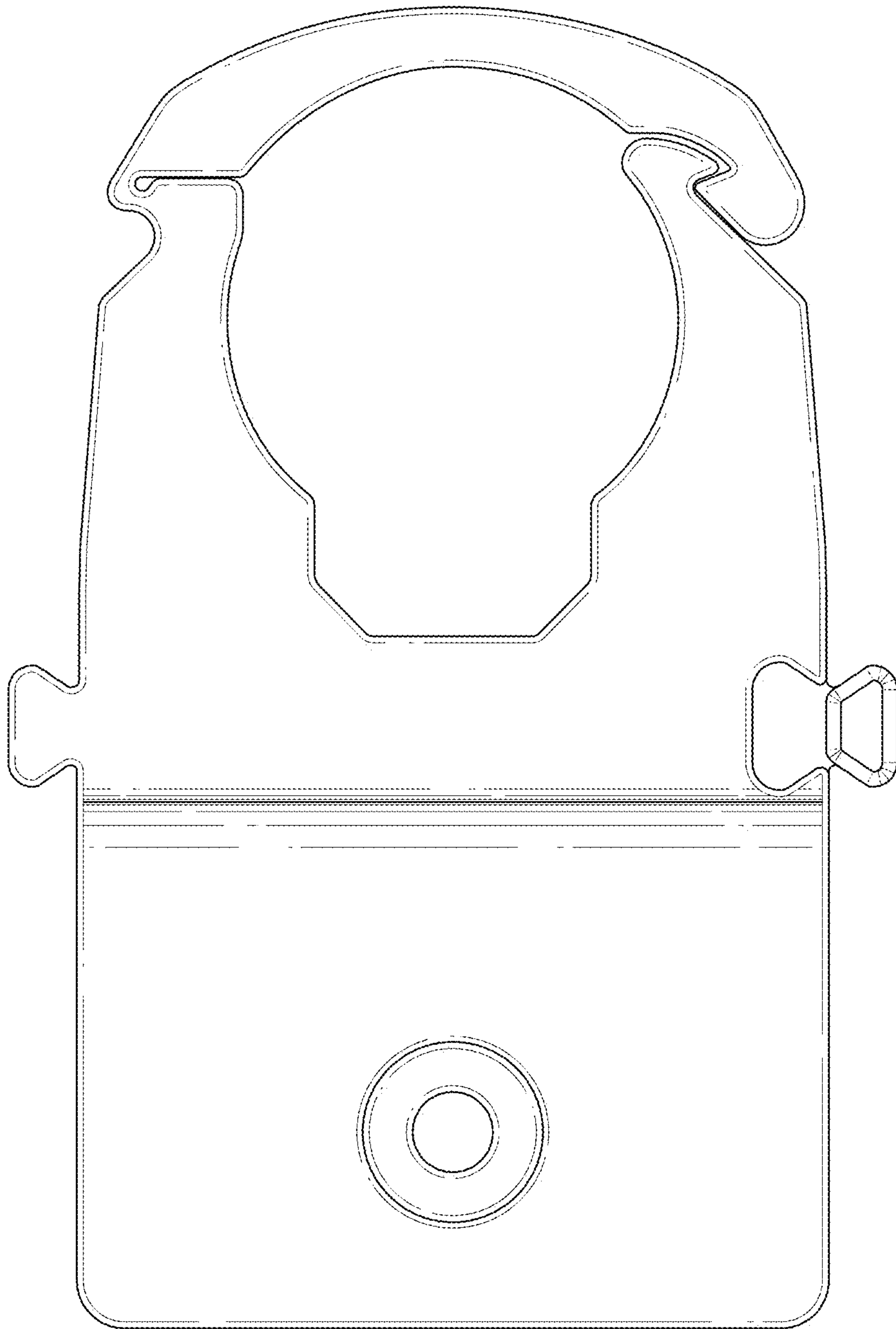


FIG. 3

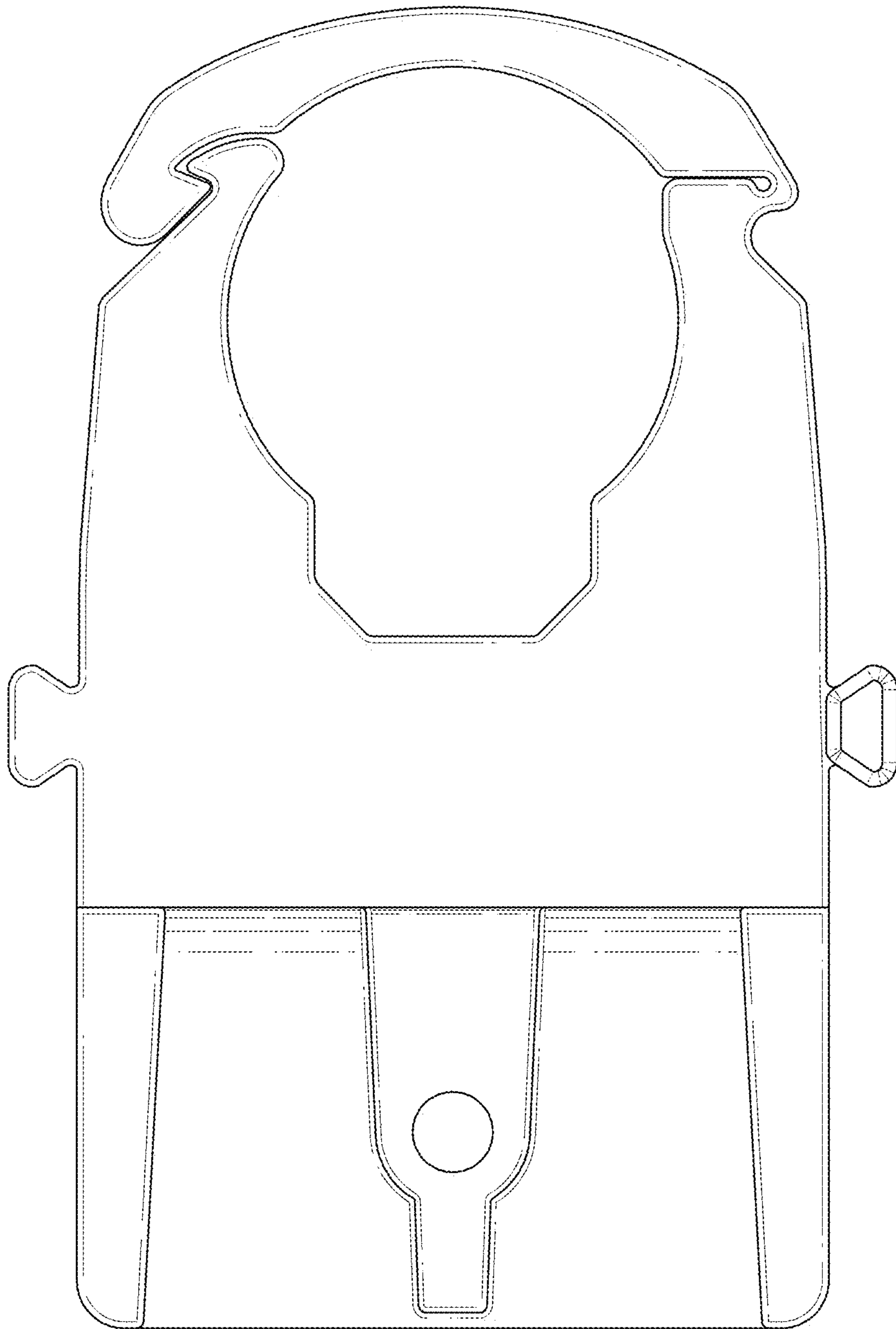


FIG. 4

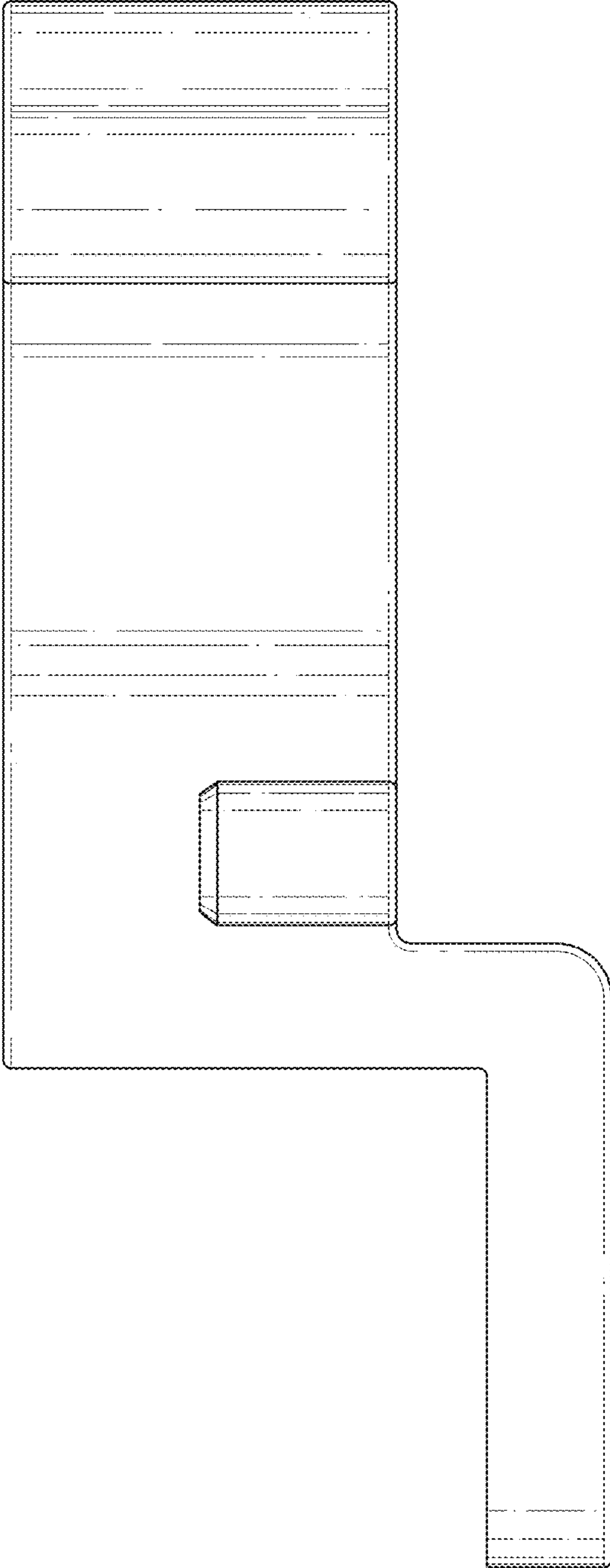


FIG. 5

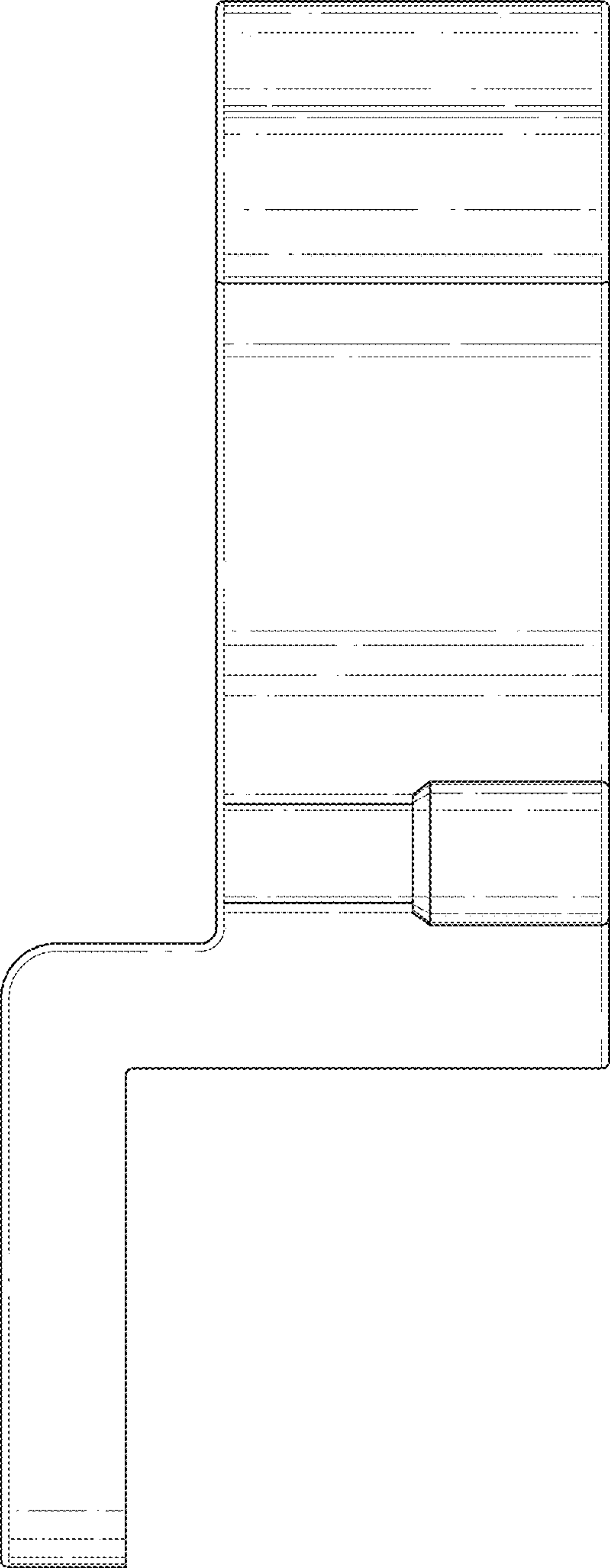


FIG. 6

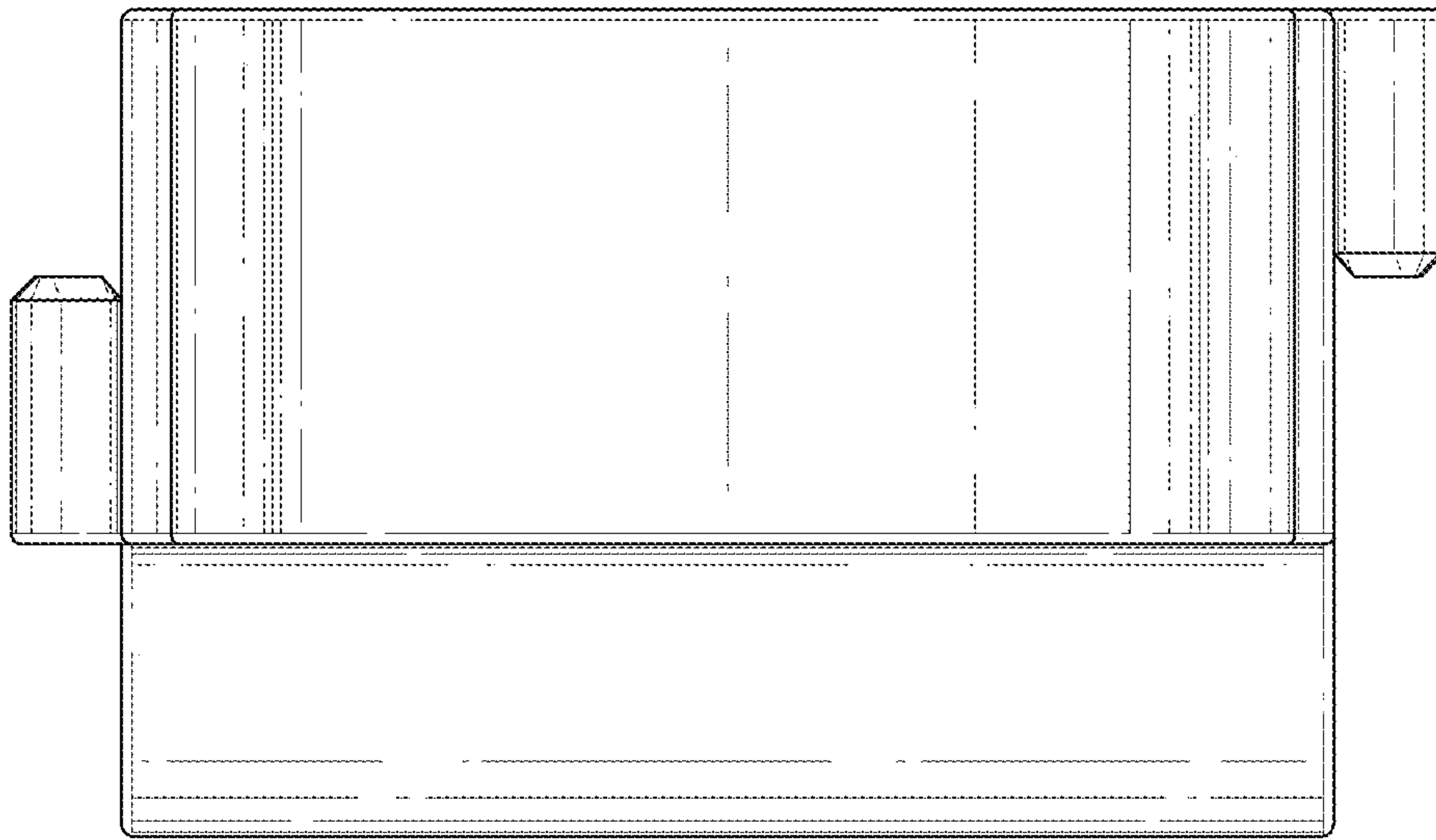


FIG. 7

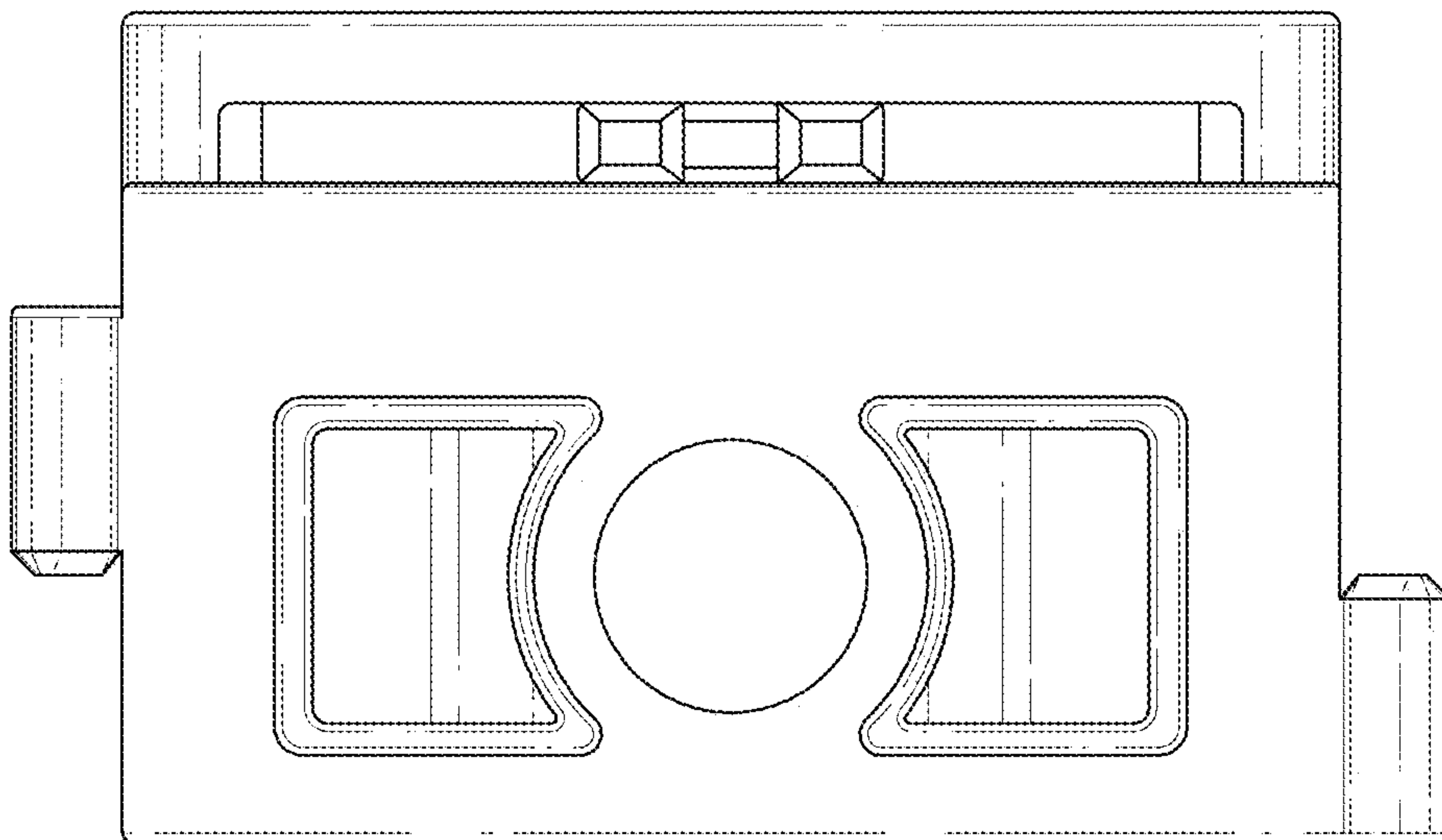


FIG. 8