



US00D938808S

(12) **United States Design Patent** (10) **Patent No.:** **US D938,808 S**
Kaner (45) **Date of Patent:** **** Dec. 21, 2021**

(54) **WHEEL**
(71) Applicant: **Hai Kaner**, Los Angeles, CA (US)
(72) Inventor: **Hai Kaner**, Los Angeles, CA (US)
(**) Term: **15 Years**
(21) Appl. No.: **29/655,909**
(22) Filed: **Jul. 9, 2018**
(51) **LOC (13) Cl.** **08-05**
(52) **U.S. Cl.**
USPC **D8/375**
(58) **Field of Classification Search**
USPC D8/354, 366, 371, 372, 367, 374, 373,
D8/376, 375
CPC . A47C 7/006; B60B 33/0049; B60B 33/0021;
B60B 33/0028; B60B 33/001; B60B
33/0073; B60B 33/0057; B60B 33/0002;
B60B 33/0068; B60B 33/0039
See application file for complete search history.

D739,216 S 9/2015 Cole
D778,146 S * 2/2017 Kausemann D8/375
D795,680 S 8/2017 Balas
D845,473 S 4/2019 UIF
D855,179 S 7/2019 Butler
2004/0168283 A1* 9/2004 Branham, Sr. B60B 33/0068
16/29
2004/0194896 A1 10/2004 Steinberger
2004/0195130 A1 10/2004 Ashok
2012/0090791 A1 4/2012 Blanchfield
2013/0255032 A1* 10/2013 Garcia B60B 33/04
16/45
2015/0258850 A1* 9/2015 Schioppa B60B 33/0042
16/35 R
2021/0061004 A1* 3/2021 Langenfeld B60B 33/066

* cited by examiner

Primary Examiner — Eliza Z Bennett-Hattan
(74) *Attorney, Agent, or Firm* — Eric Hanscom

(57) **CLAIM**

The ornamental design for a wheel, as shown and described.

DESCRIPTION

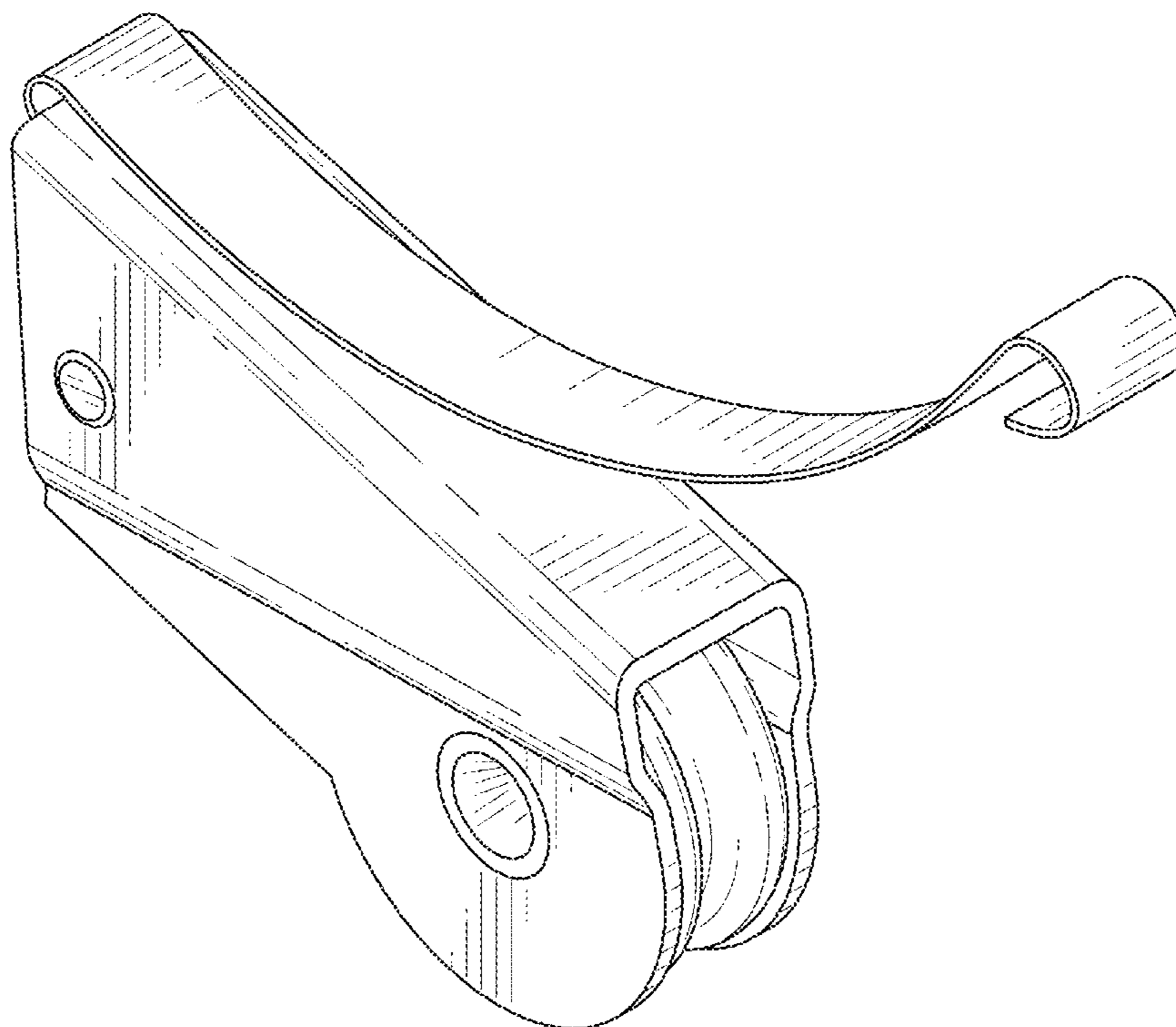
FIG. 1 is a perspective view of a wheel showing my new design, showing how it appears assembled;
FIG. 2 is a left side view thereof;
FIG. 3 is a right side view thereof;
FIG. 4 is a front view thereof;
FIG. 5 is a back view thereof;
FIG. 6 is a top view thereof;
FIG. 7 is a bottom view thereof; and,
FIG. 8 is a perspective view of showing how it appears unassembled.

1 Claim, 6 Drawing Sheets

(56) **References Cited**

U.S. PATENT DOCUMENTS

2,658,885 A 11/1953 D’Alelio
2,987,232 A 6/1961 Burdick
2,988,944 A 6/1961 Bevier
3,799,417 A 3/1974 Williams
D343,788 S * 2/1994 Soltani D8/375
D345,689 S * 4/1994 Morooka D8/375
D561,015 S * 2/2008 Brodbeck D8/375
D576,868 S * 9/2008 Minamiura D8/375
8,435,377 B1 5/2013 Greenhalgh
D722,487 S 2/2015 Miller



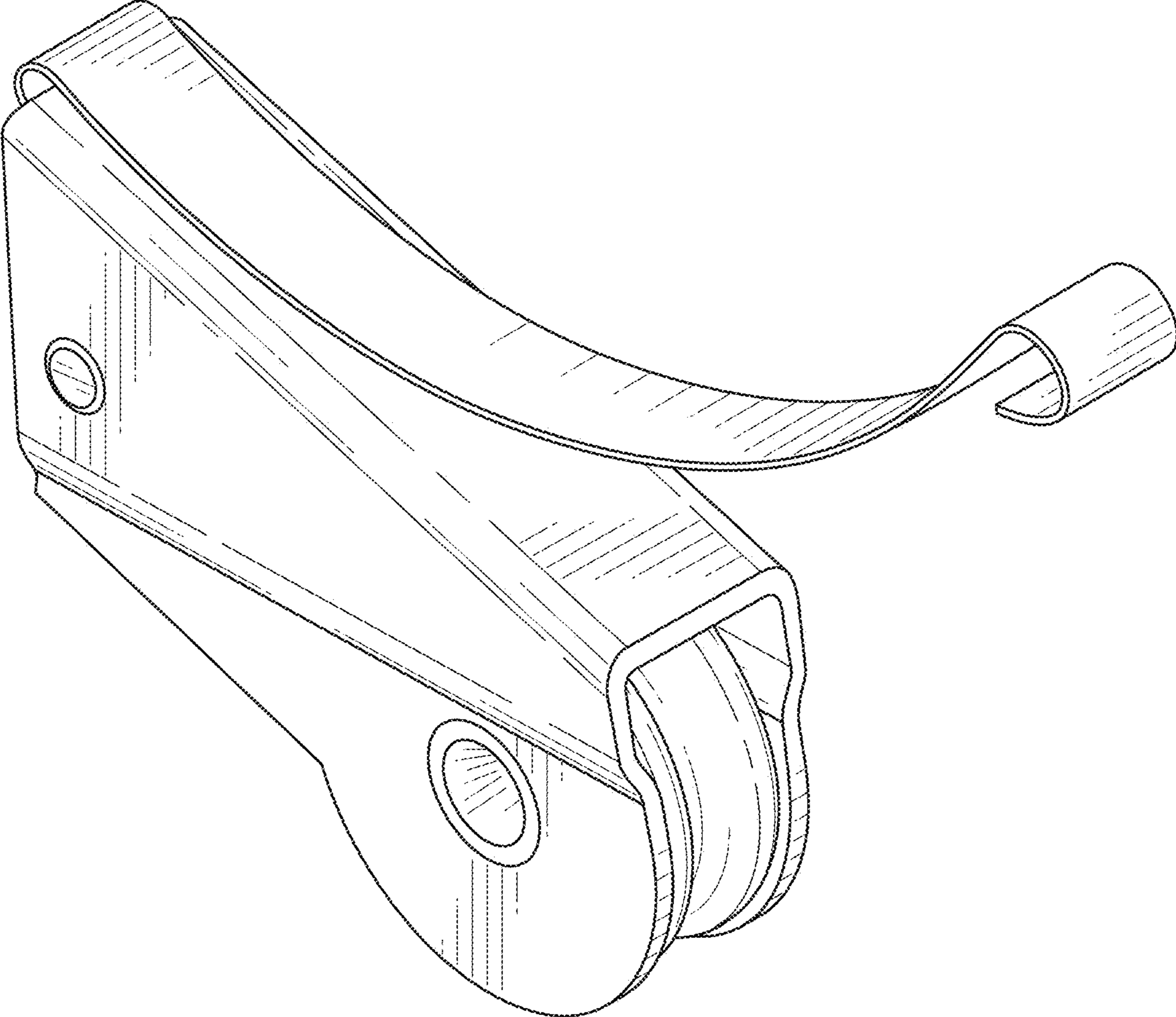


FIG. 1

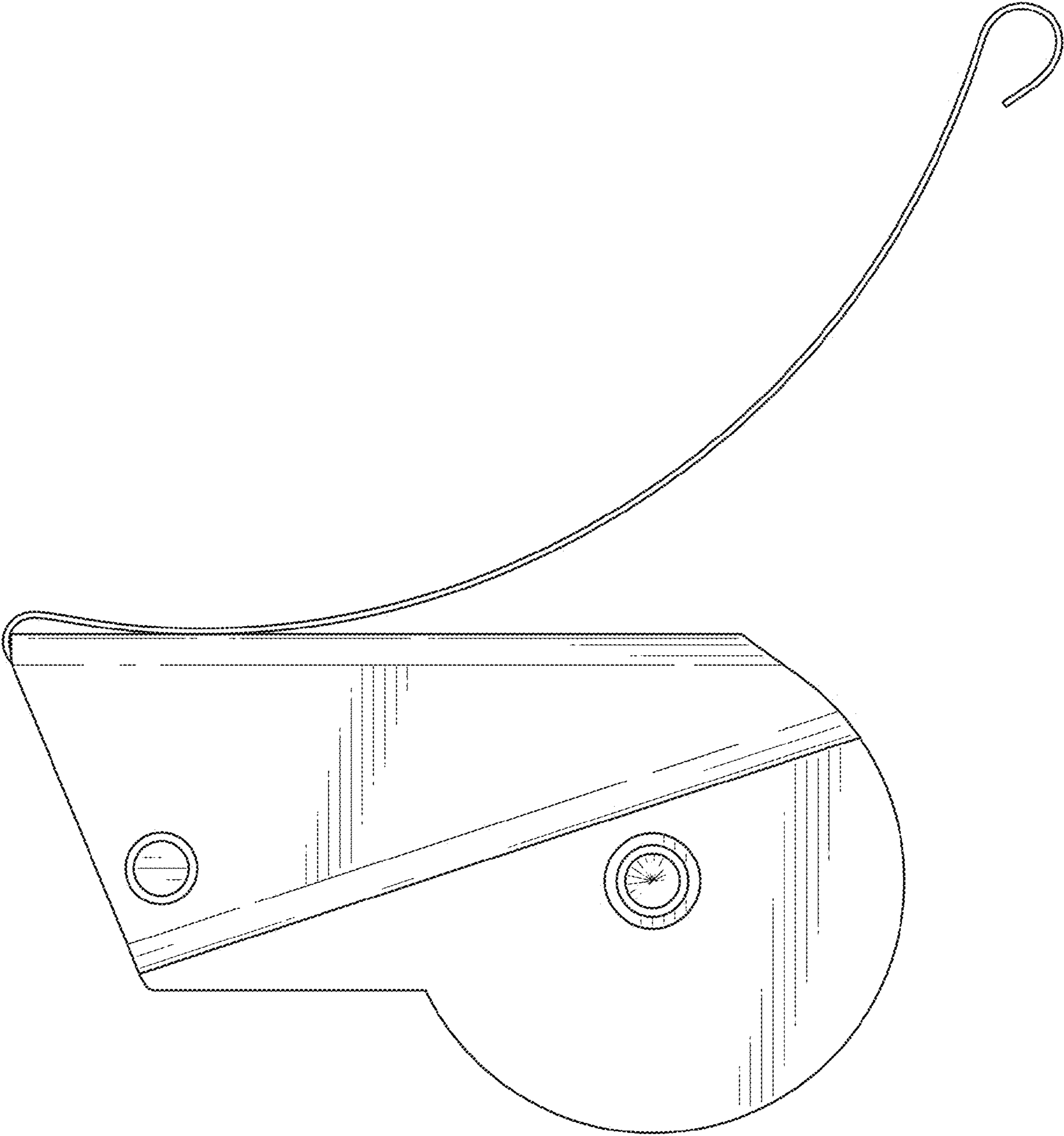


FIG. 2

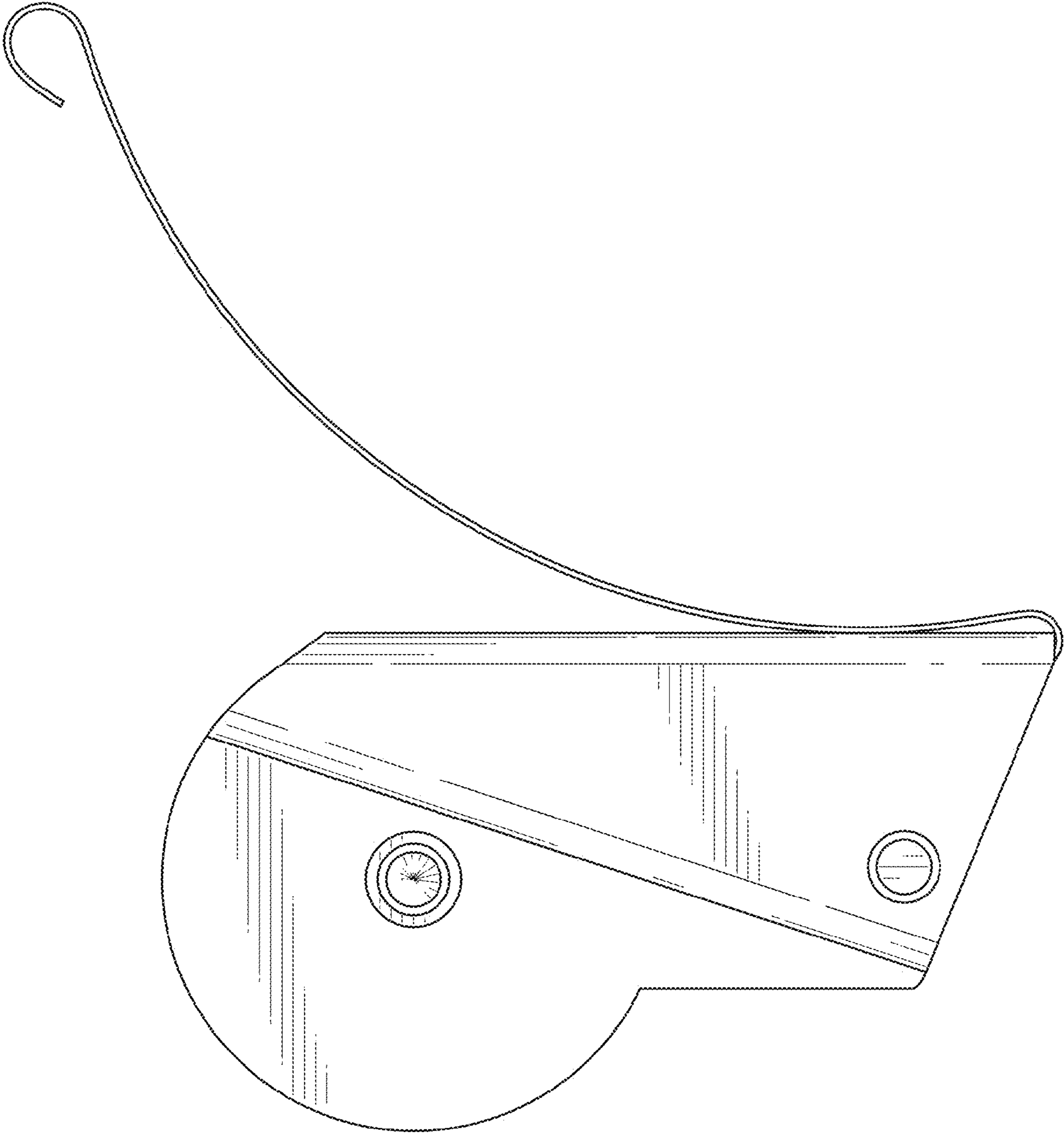


FIG. 3

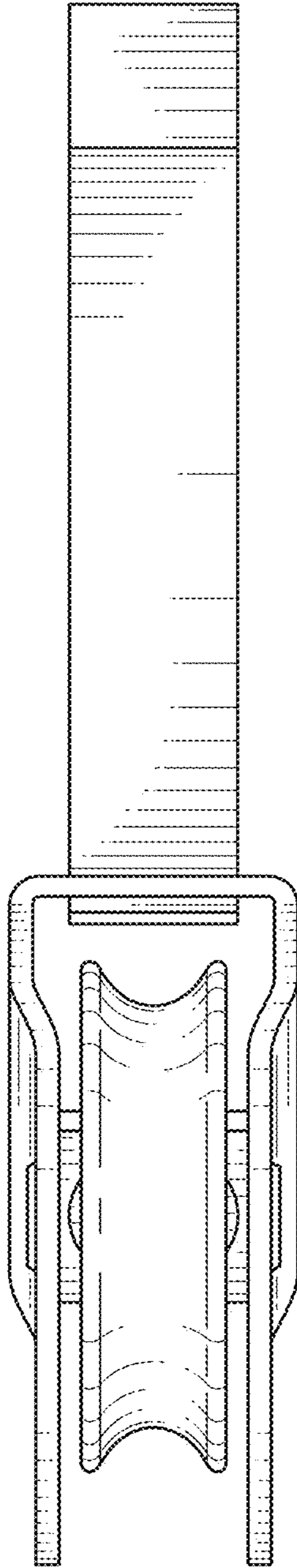


FIG. 4

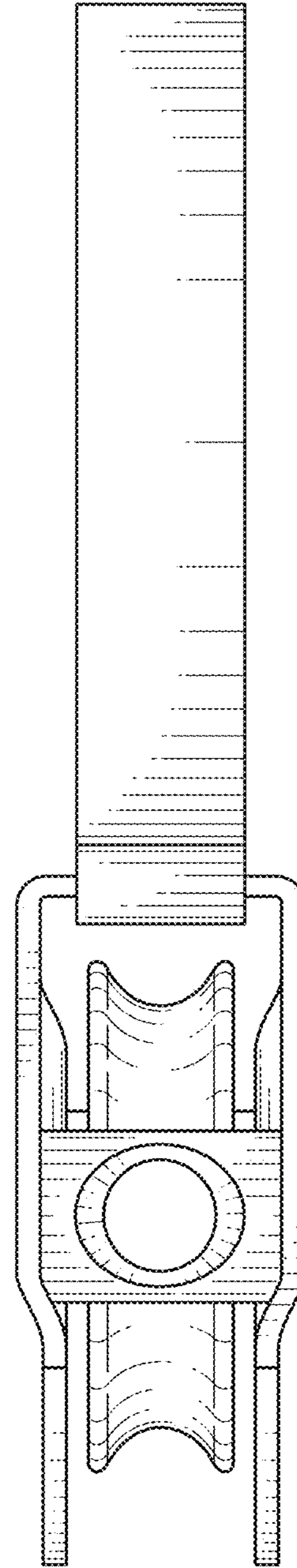


FIG. 5

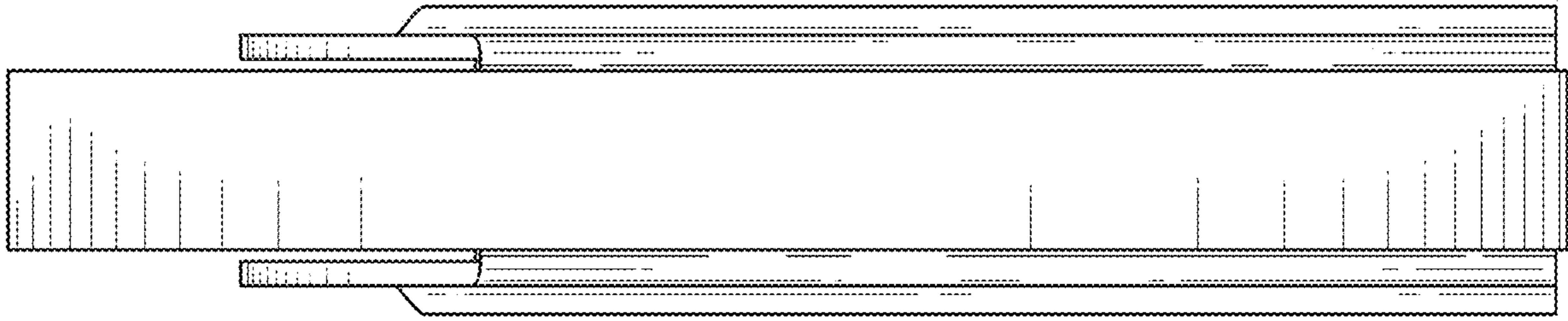


FIG. 6

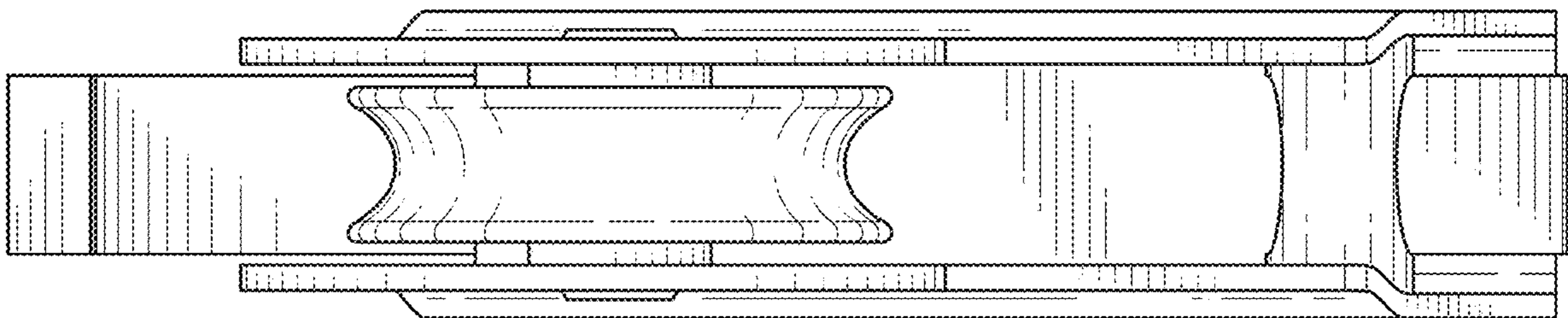


FIG. 7

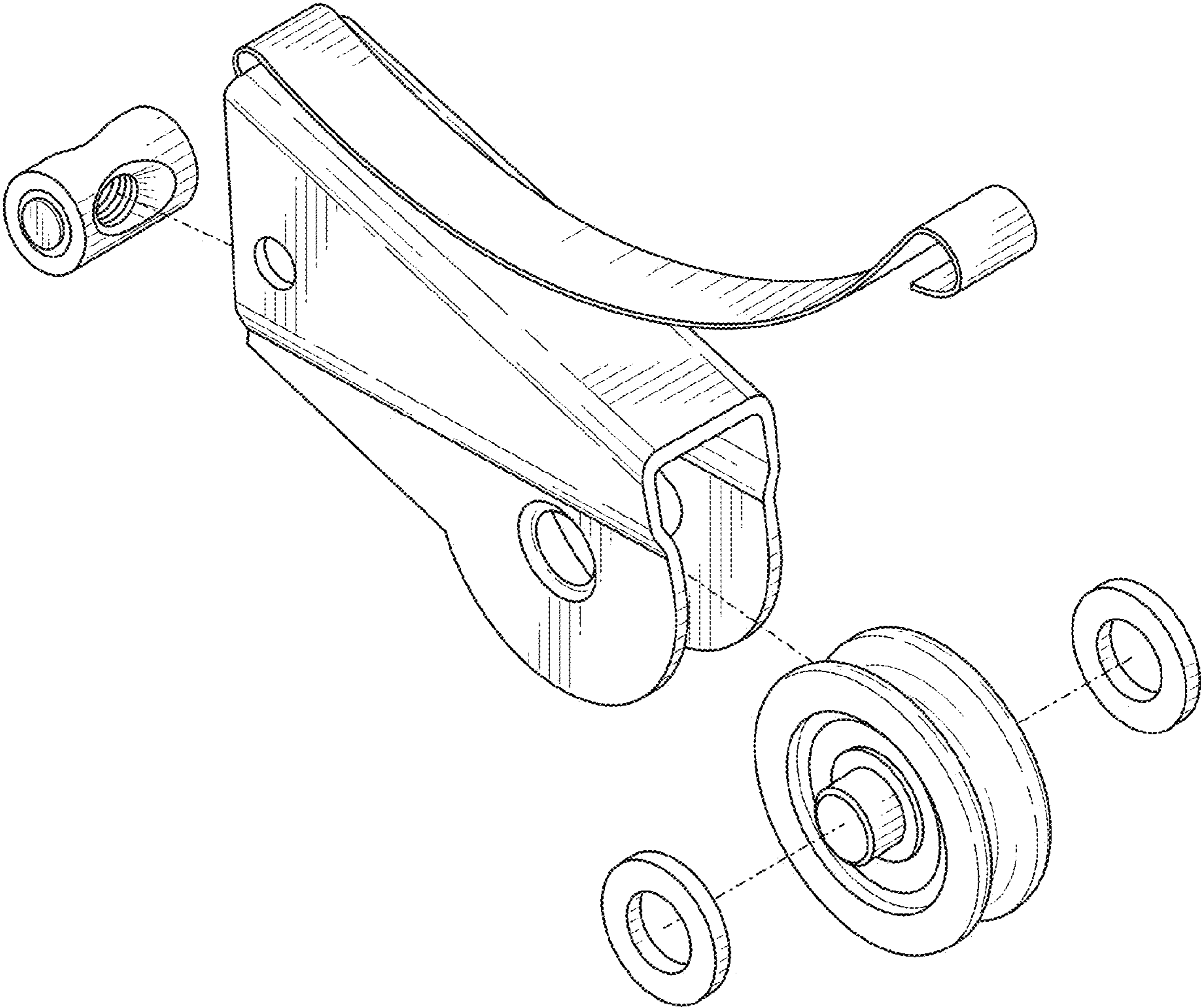


FIG. 8