



US00D938807S

(12) **United States Design Patent** (10) **Patent No.:** **US D938,807 S**
Moore (45) **Date of Patent:** **** Dec. 21, 2021**

(54) **PAYOUT TUBE**

FOREIGN PATENT DOCUMENTS

(71) Applicant: **REELEX PACKAGING SOLUTIONS, INC.**, Patterson, NY (US)

CN 303884566 S 10/2016
CN 303925279 S 11/2016
(Continued)

(72) Inventor: **Brian Moore**, Wallkill, NY (US)

OTHER PUBLICATIONS

(73) Assignee: **REELEX PACKAGING SOLUTIONS, INC.**, Patterson, NY (US)

Endstands for Plastic Reels and Spools, Date Visited: May 3, 2021, Reel Options, Date Available: May 3, 2021, reeloptions.com/reellesspackagingpage.htm (Year: 2021).*
(Continued)

(**) Term: **15 Years**

Primary Examiner — Susan Bennett Hattan

(21) Appl. No.: **29/693,853**

Assistant Examiner — Elizabeth S Ko

(22) Filed: **Jun. 5, 2019**

(74) *Attorney, Agent, or Firm* — Gordon & Jacobson, P.C.

(51) **LOC (13) Cl.** **08-05**

(57) **CLAIM**

(52) **U.S. Cl.**
USPC **D8/358**

The ornamental design for a payout tube, as shown and described.

(58) **Field of Classification Search**
USPC D8/356, 358, 360.1, 355, 360, 383, 380, D8/349, 354; D10/72; D19/67; D15/145; D22/141
CPC B65H 57/12; B65H 55/046; B65H 57/18; B65H 49/08; B65D 85/676; B66D 3/006; B66D 3/18; B66D 3/26; B66D 3/02; B66D 3/14

DESCRIPTION

See application file for complete search history.

FIG. 1 is a perspective view from the top and side of a payout tube, which can be used for a wound coil of wire. FIG. 2 is a perspective view from the bottom and side of the payout tube of FIG. 1. FIG. 3 is a front view of the payout tube of FIGS. 1 and 2. FIG. 4 is a back view of the payout tube of FIGS. 1 and 2. FIG. 5 is a left side view of the payout tube of FIGS. 1 and 2. FIG. 6 is a right side view of the payout tube of FIGS. 1 and 2. FIG. 7 is top view of the payout tube of FIGS. 1 and 2; and, FIG. 8 is a bottom view of the payout tube of FIGS. 1 and 2.

(56) **References Cited**

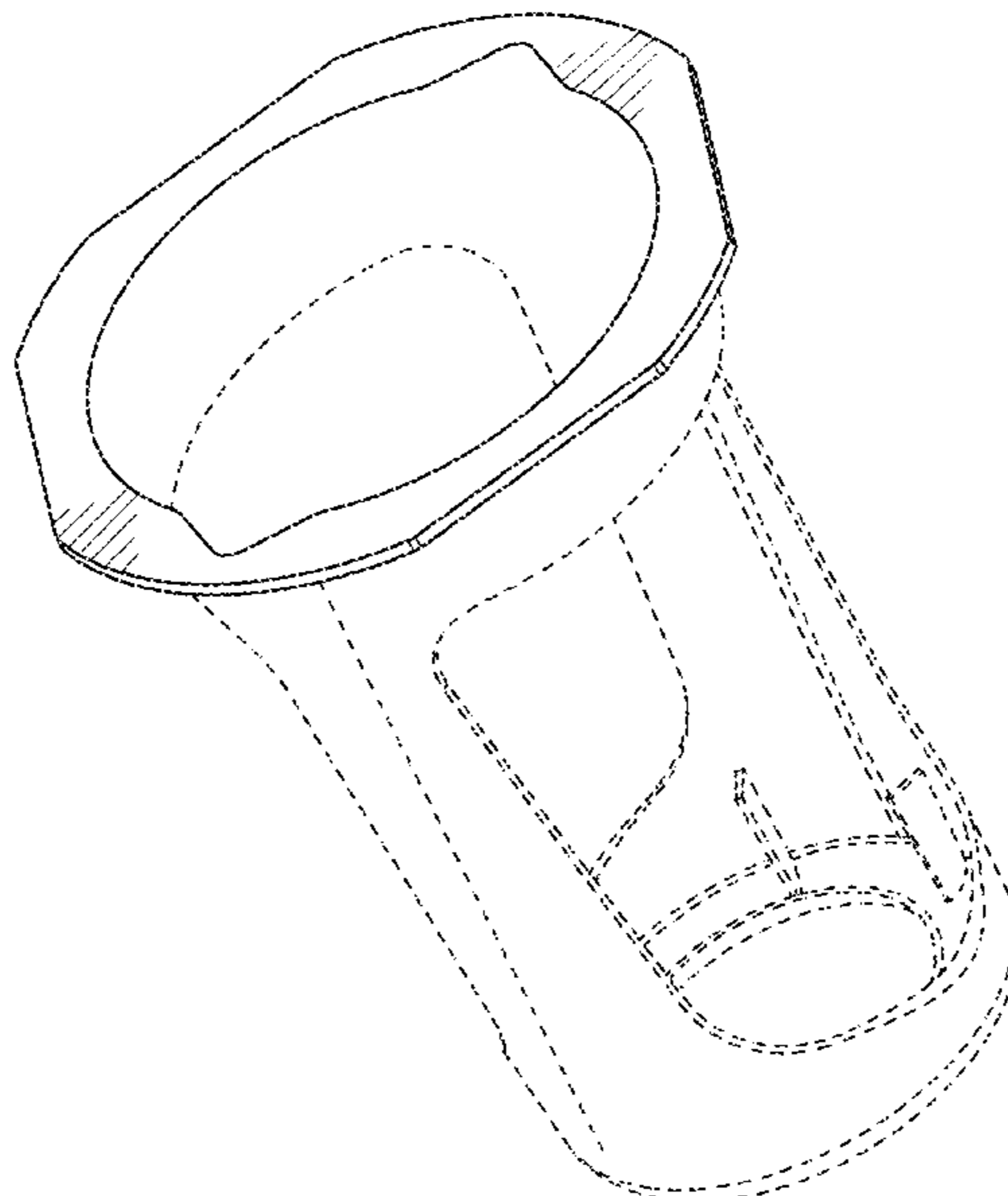
U.S. PATENT DOCUMENTS

4,009,845 A * 3/1977 Santucci B65H 49/08 242/129.7
D270,996 S * 10/1983 Houghton D8/358
D311,486 S * 10/1990 Hickman D8/358
D361,711 S * 8/1995 Plumley D8/356
D375,450 S * 11/1996 Bidwell D8/356

The broken lines in the figures are for the purpose of illustrating unclaimed portions of the system or environmental structure or boundaries of the claim and form no part of the claimed design.

(Continued)

1 Claim, 7 Drawing Sheets



(56)

References Cited

U.S. PATENT DOCUMENTS

D422,639 S * 4/2000 Bell D20/9
 6,086,012 A * 7/2000 Kotzur et al.
 6,109,554 A * 8/2000 Kotzur et al.
 6,328,238 B1 * 12/2001 Chism B65H 57/12
 242/157 R
 6,341,741 B1 1/2002 Kotzur et al.
 6,702,213 B2 3/2004 Kotzur et al.
 7,007,799 B2 * 3/2006 Cote B65D 5/18
 206/389
 7,156,334 B1 * 1/2007 Fore, Sr. B65H 55/046
 242/171
 D541,145 S * 4/2007 Copp B65H 49/08
 D9/415
 D673,027 S * 12/2012 Wang D8/354
 D683,616 S * 6/2013 Noumi D8/356
 D707,107 S * 6/2014 Crouse D8/356
 D707,534 S * 6/2014 Crouse D8/356
 D720,212 S * 12/2014 Gonzalez D9/419
 8,944,358 B2 * 2/2015 Copp B65H 75/28
 242/171
 8,960,431 B2 * 2/2015 Copp B65D 85/04
 206/395
 9,061,814 B2 * 6/2015 Copp B65D 5/443
 9,315,316 B2 * 4/2016 Babcock B65D 5/443
 D761,637 S * 7/2016 Weissbrod D8/358
 D799,312 S * 10/2017 Ng D8/383
 9,776,826 B2 10/2017 Moore et al.
 D803,666 S * 11/2017 Morley D8/356
 D807,727 S * 1/2018 Krombein D8/354
 D808,250 S * 1/2018 Chang D8/356
 D821,183 S * 6/2018 Bargetzi D8/356

D831,468 S * 10/2018 Morley B65H 57/12
 D8/356
 D861,869 S * 10/2019 Kim D24/158
 D891,907 S * 8/2020 Thuma B65D 85/04
 D8/356
 D891,908 S * 8/2020 Ito B65D 5/443
 D8/358
 D896,626 S * 9/2020 Buckley B65H 75/28
 D8/396
 D899,474 S * 10/2020 Huang B65H 49/08
 D15/145
 10,815,097 B2 * 10/2020 Moore B65H 57/12
 D904,067 S * 12/2020 Yang D6/515
 D913,773 S * 3/2021 Gaspar D8/349

FOREIGN PATENT DOCUMENTS

CN	304104633 S	4/2017
EM	007305297-0001	11/2019
EM	007305297-0002	11/2019
JP	D1167509	3/2003
JP	D1167510	3/2003

OTHER PUBLICATIONS

ProFlex—Reelex Packaging Solutions, Inc., Date Visited: May 3, 2021, Reelex, Date Available: May 3, 2021, <https://www.reelex.com/packaging/proflex/> (Year: 2021).*

U.S. Appl. No. 16/352,344, filed Mar. 13, 2019.

Search Report dated May 25, 2020 of Taiwan application No. 108307470.

* cited by examiner

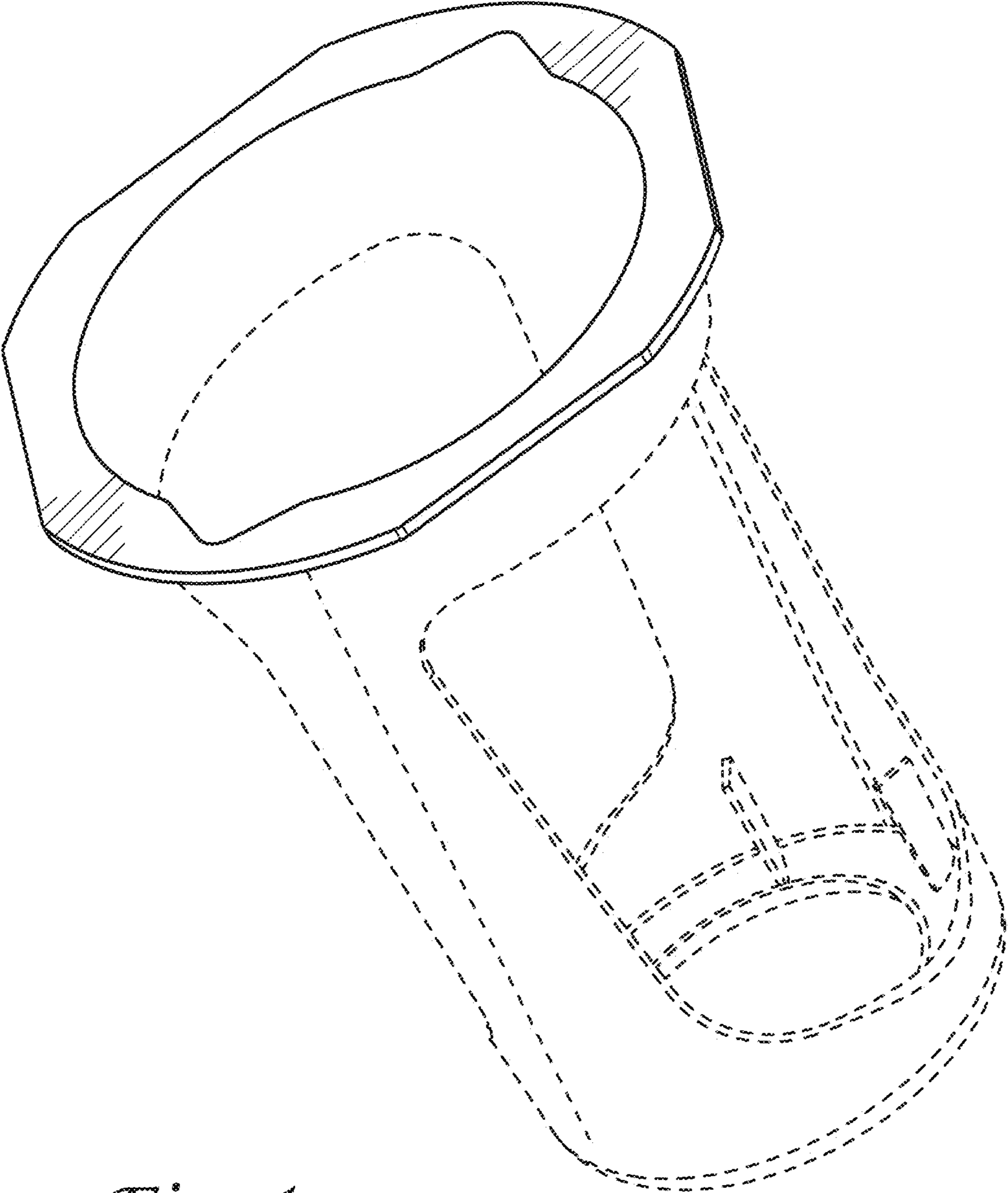


Fig. 1

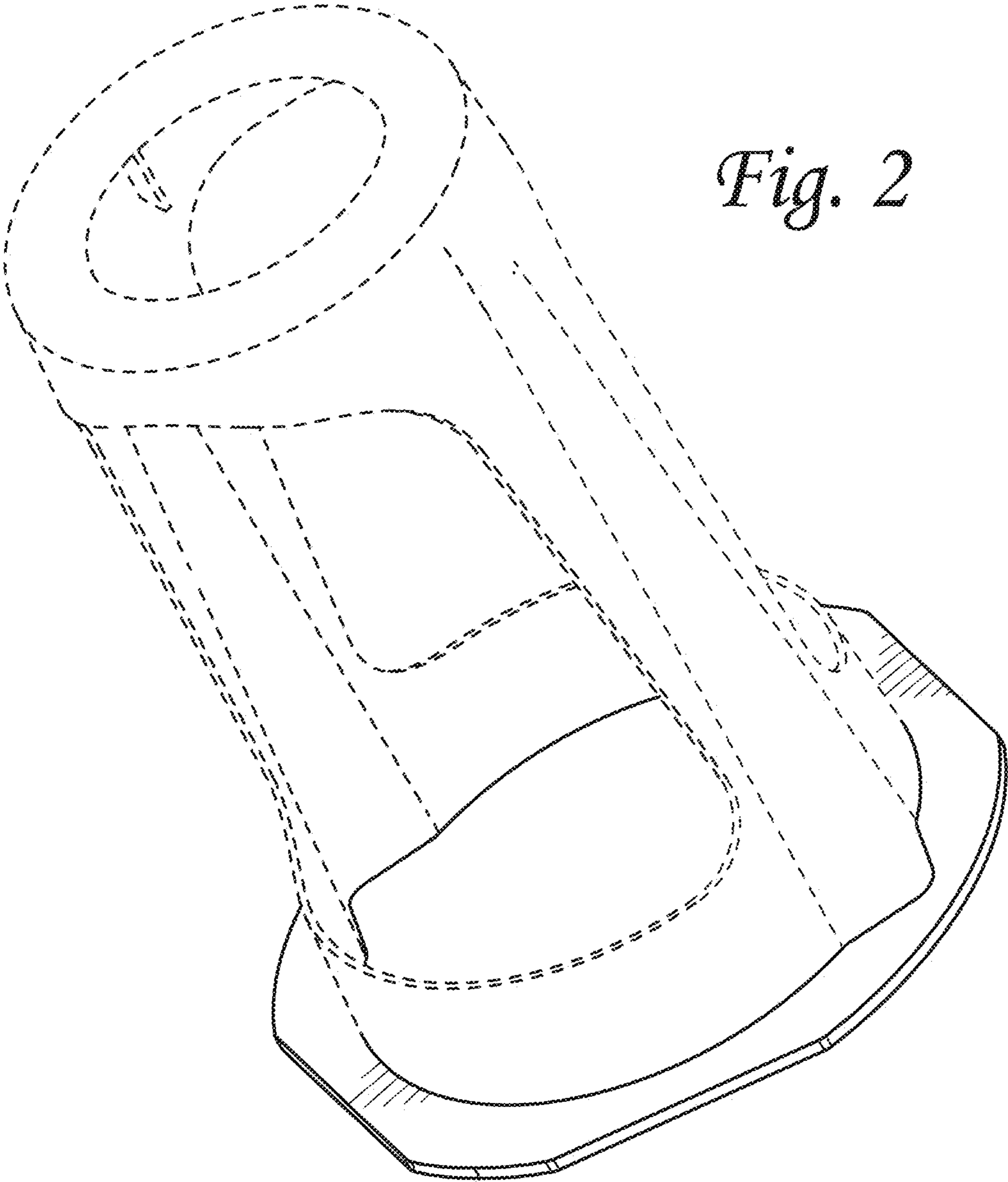


Fig. 2

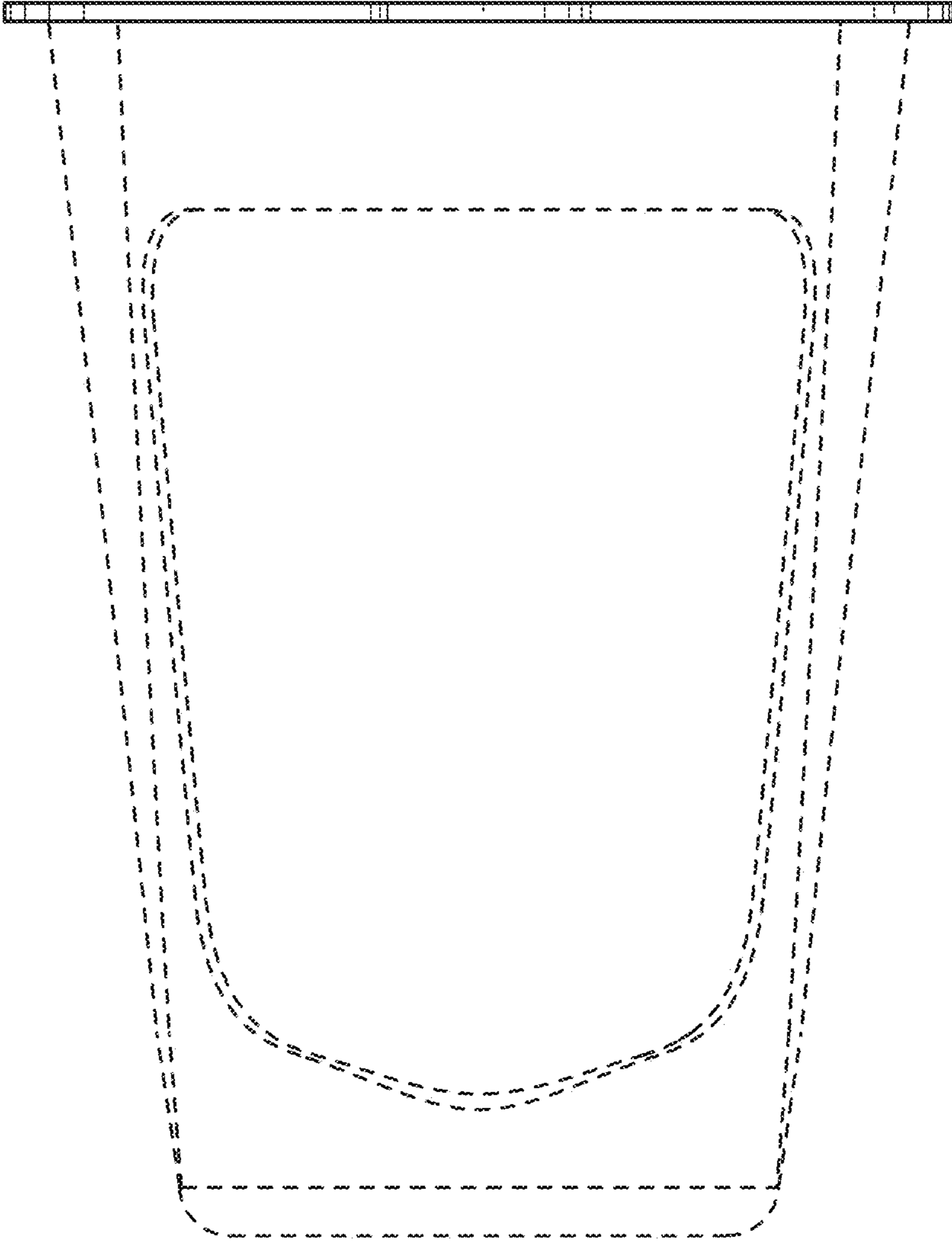


Fig. 3

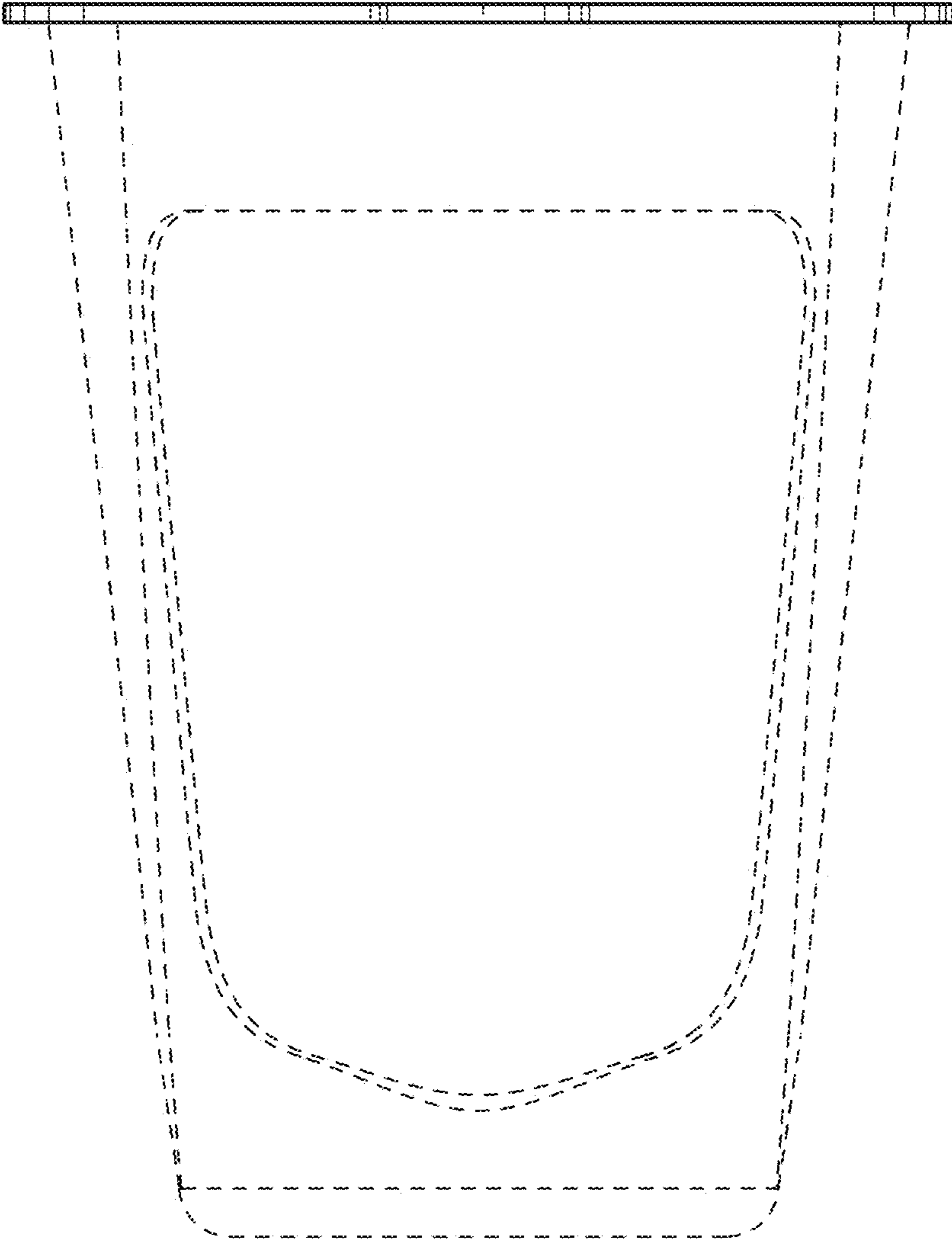


Fig. 4

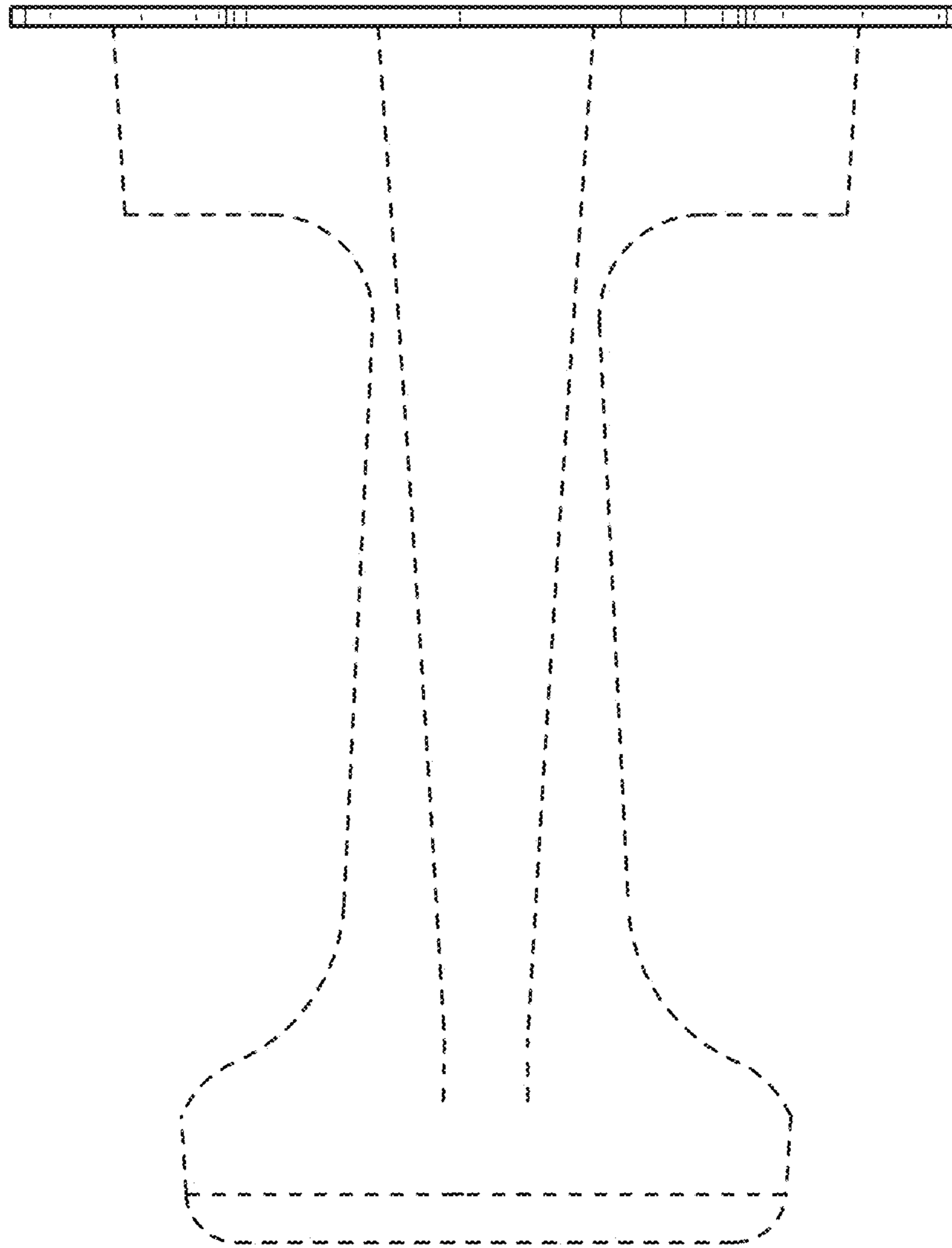


Fig. 5

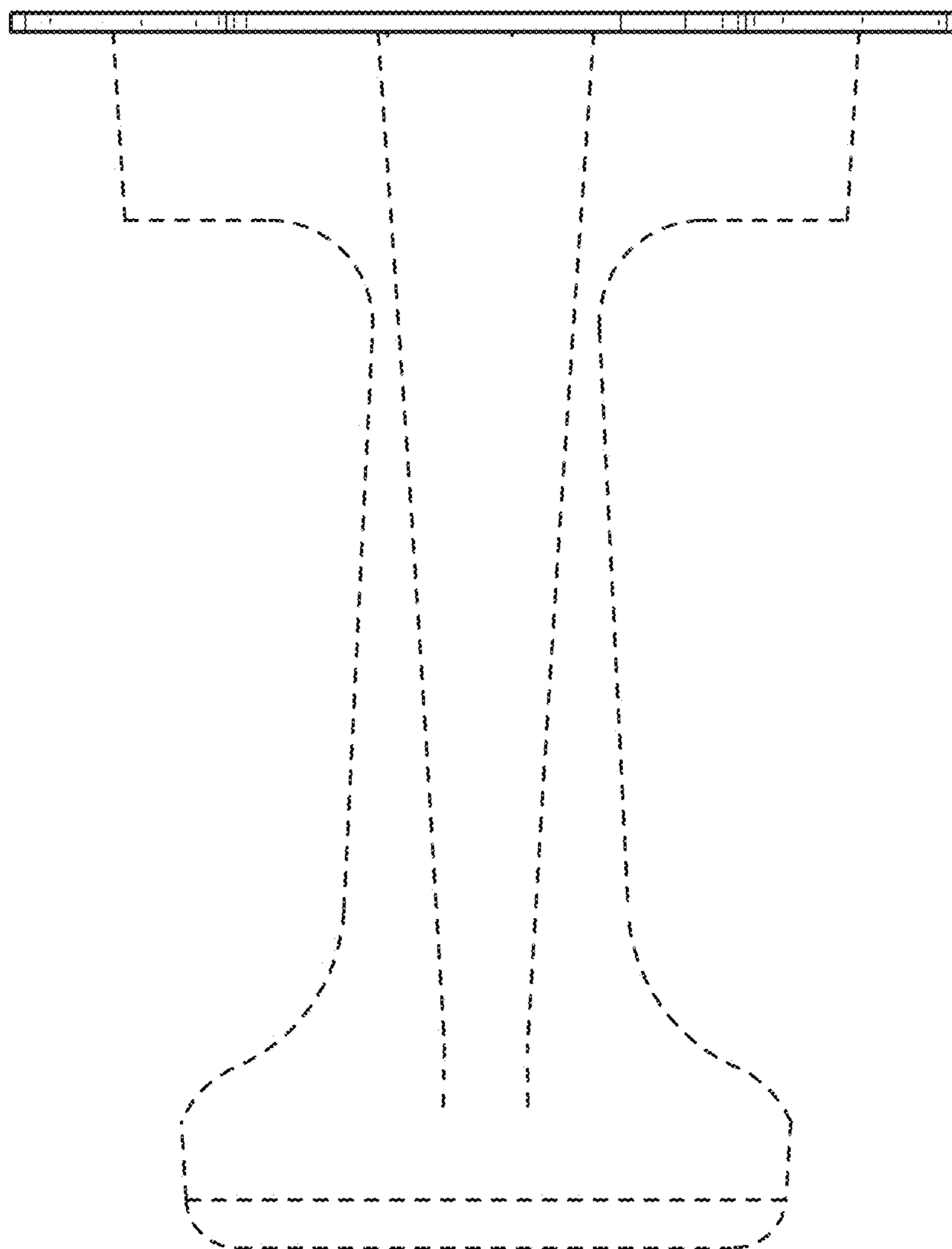


Fig. 6

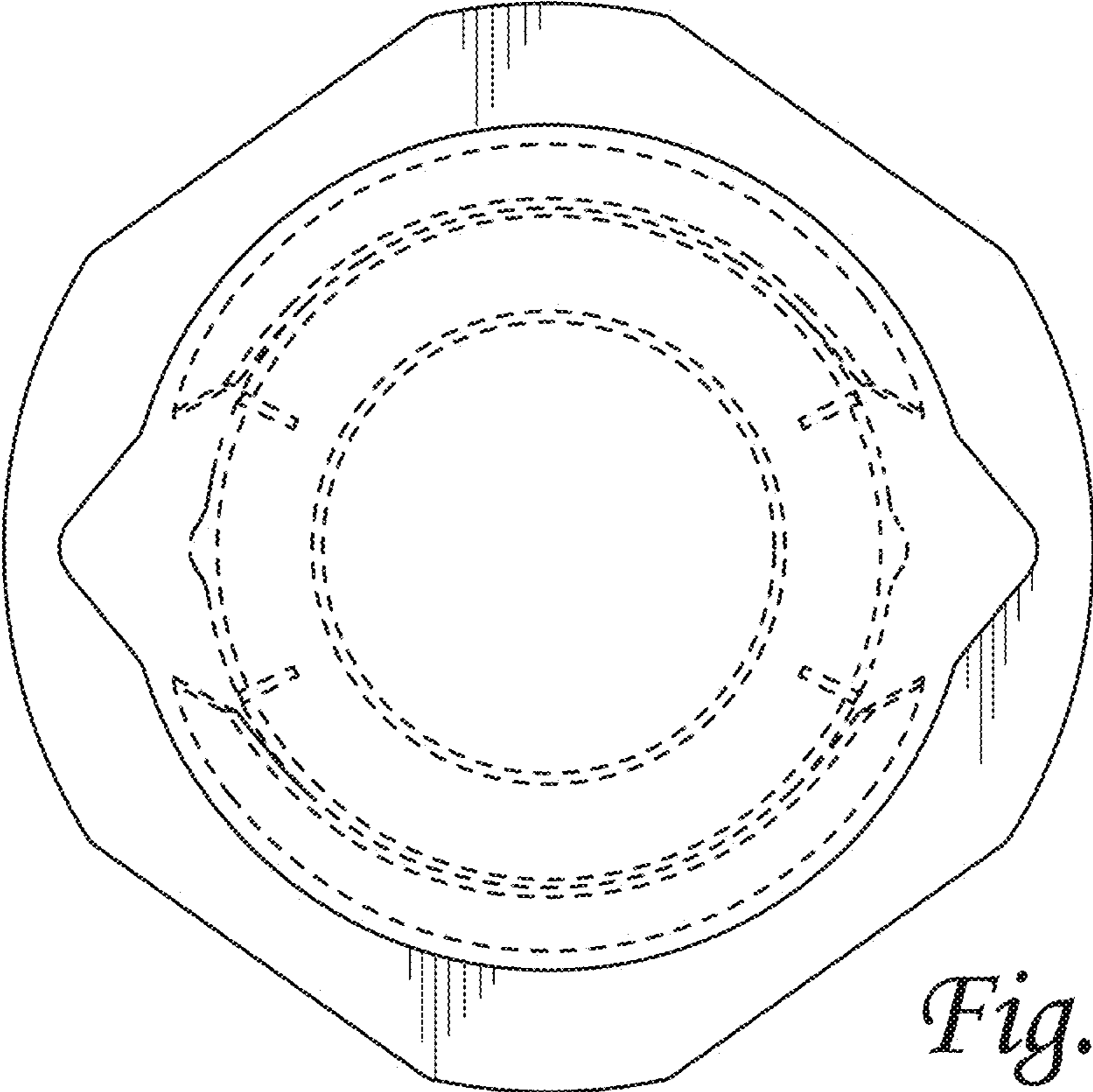


Fig. 7

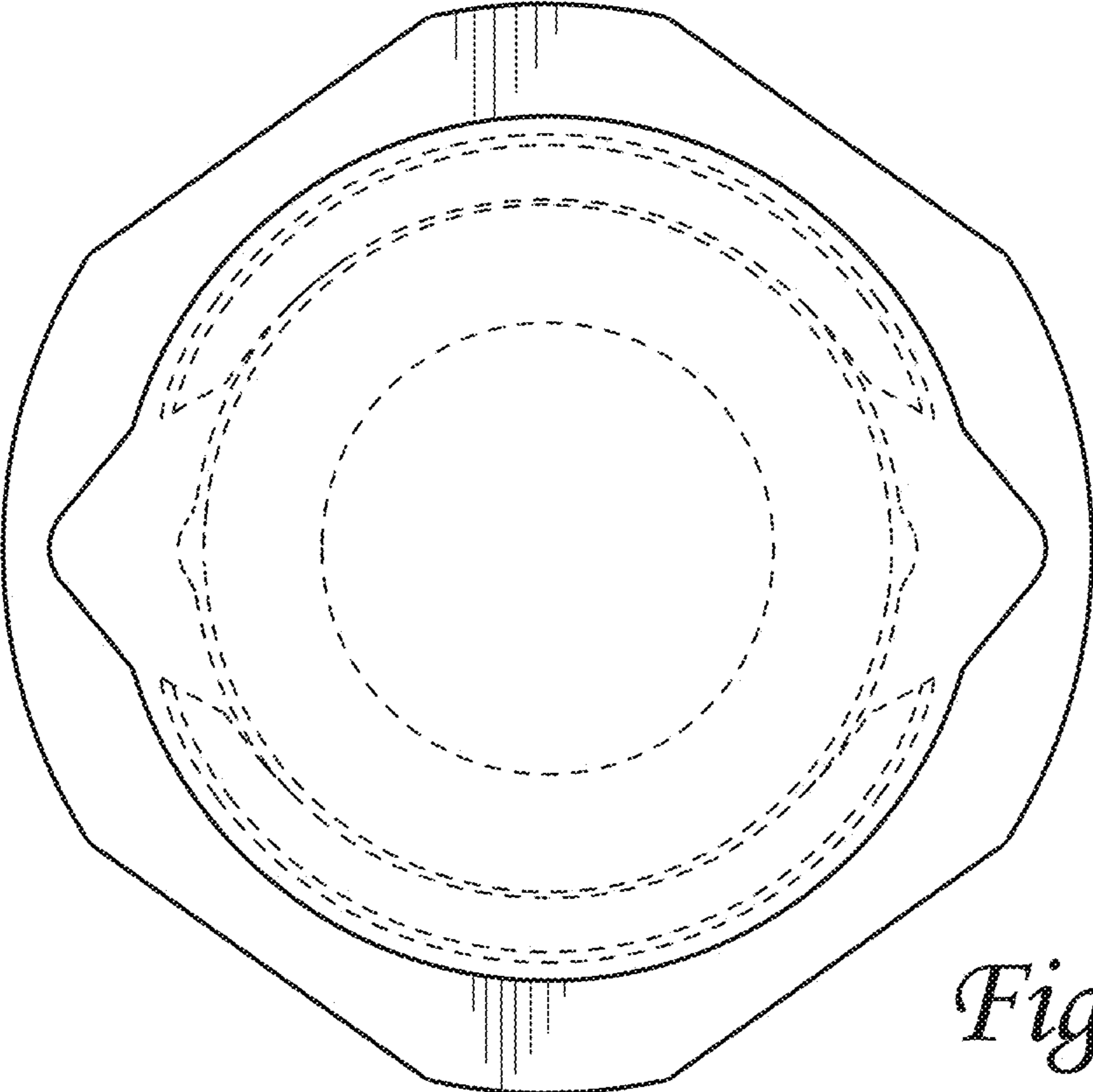


Fig. 8