



US00D938804S

(12) **United States Design Patent**
DeBacker

(10) **Patent No.:** **US D938,804 S**

(45) **Date of Patent:** **** Dec. 21, 2021**

(54) **BEER FAUCET TAP ELECTRIC LIGHT SWITCH**

(71) Applicant: **Steven John DeBacker**, Prairie Village, KS (US)

(72) Inventor: **Steven John DeBacker**, Prairie Village, KS (US)

(73) Assignee: **Steven John DeBacker**, Prairie Village, KS (US)

(**) Term: **15 Years**

(21) Appl. No.: **29/665,257**

(22) Filed: **Oct. 2, 2018**

(51) **LOC (13) Cl.** **11-05**

(52) **U.S. Cl.**

USPC **D8/351**

(58) **Field of Classification Search**

USPC D8/350, 351, 353, 330, 331, 346, 302, D8/341, 343, 338; D6/349, 254; D23/524, 550

CPC . E05C 9/004; E05B 9/002; E05B 9/00; E05B 9/02; E05B 37/00; E05B 1/00

See application file for complete search history.

(56) **References Cited**

U.S. PATENT DOCUMENTS

D601,667 S	*	10/2009	Schoenherr	D23/255
D626,634 S	*	11/2010	Lammel	D23/255
D655,394 S	*	3/2012	Obara	D23/238
D790,914 S	*	7/2017	Arov	D7/398
D840,507 S	*	2/2019	Garland	D23/238
D850,588 S	*	6/2019	Tanghetti	D23/238
D862,649 S	*	10/2019	Meyers	D23/238
D873,964 S	*	1/2020	Soulier	D23/238

D900,975 S * 11/2020 Burns F16K 5/0689

D23/255

D912,779 S * 3/2021 Tanghetti D23/238

D913,435 S * 3/2021 Seum D23/238

D919,057 S * 5/2021 Garland D23/257

* cited by examiner

Primary Examiner — Michael C Stout

Assistant Examiner — Benjamin M Weeks

(57) **CLAIM**

The ornamental design for a beer faucet tap electric light switch, as shown and described.

DESCRIPTION

FIG. 1 is a perspective view of a beer faucet tap electric light switch showing my new design.

FIG. 2 is a right-side view of FIG. 1, the left-side view being a mirror image thereof;

FIG. 3 is a front view of FIG. 1.

FIG. 4 is a top view FIG. 1.

FIG. 5 is a bottom view of FIG. 1.

FIG. 6 is a rear perspective view of FIG. 1.

FIG. 7 is a perspective view of an alternative embodiment of the beer faucet tap electric light switch.

FIG. 8 is a right-side view of FIG. 7, the left-side view being a mirror image thereof;

FIG. 9 is a front view of FIG. 7.

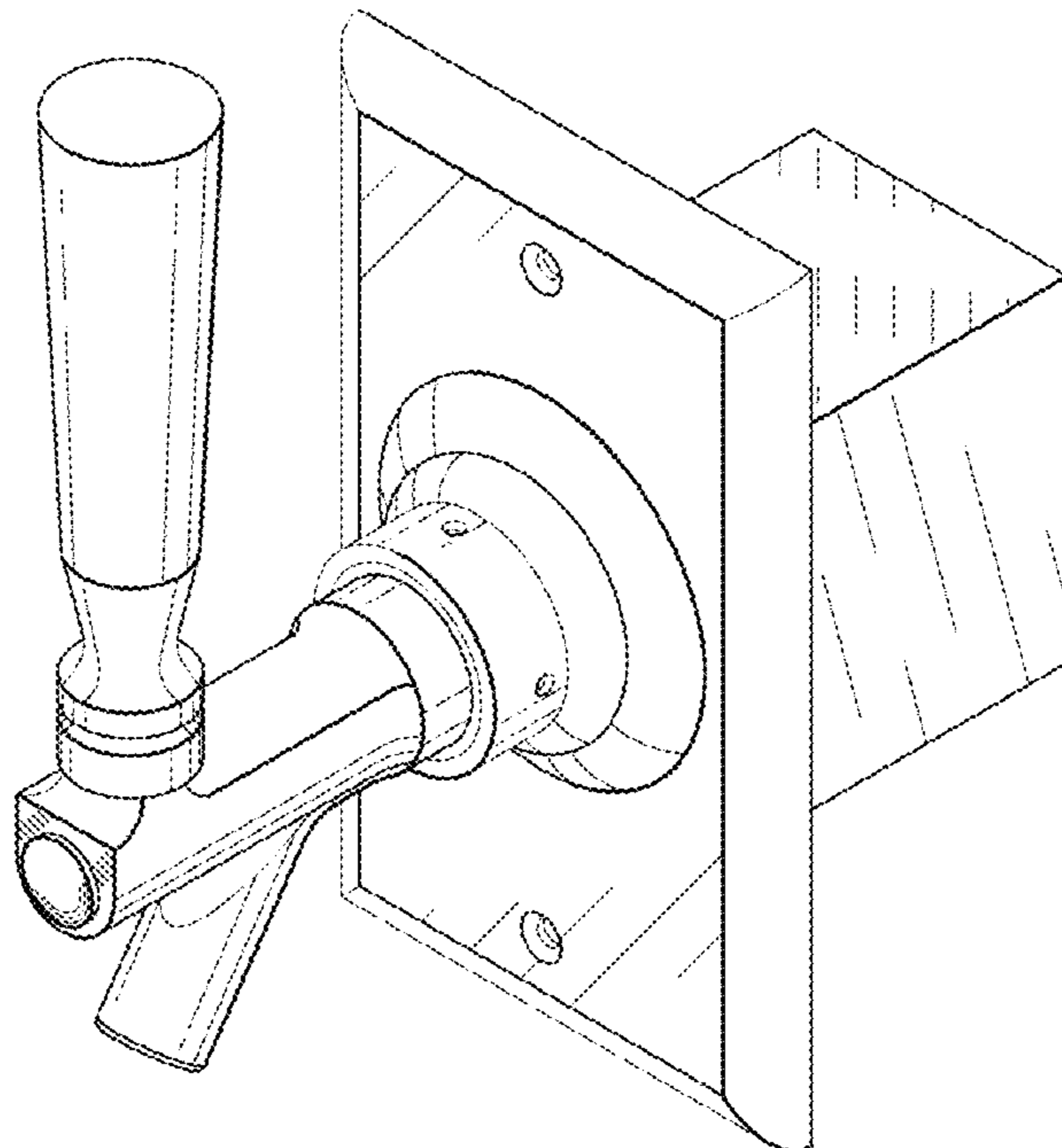
FIG. 10 is a top view of FIG. 7.

FIG. 11 is a bottom view of FIG. 7; and,

FIG. 12 is a rear perspective view of FIG. 7.

My beer faucet tap electric light switch is characterized by using a beer faucet, shank and handle combination with an electric switch.

1 Claim, 12 Drawing Sheets



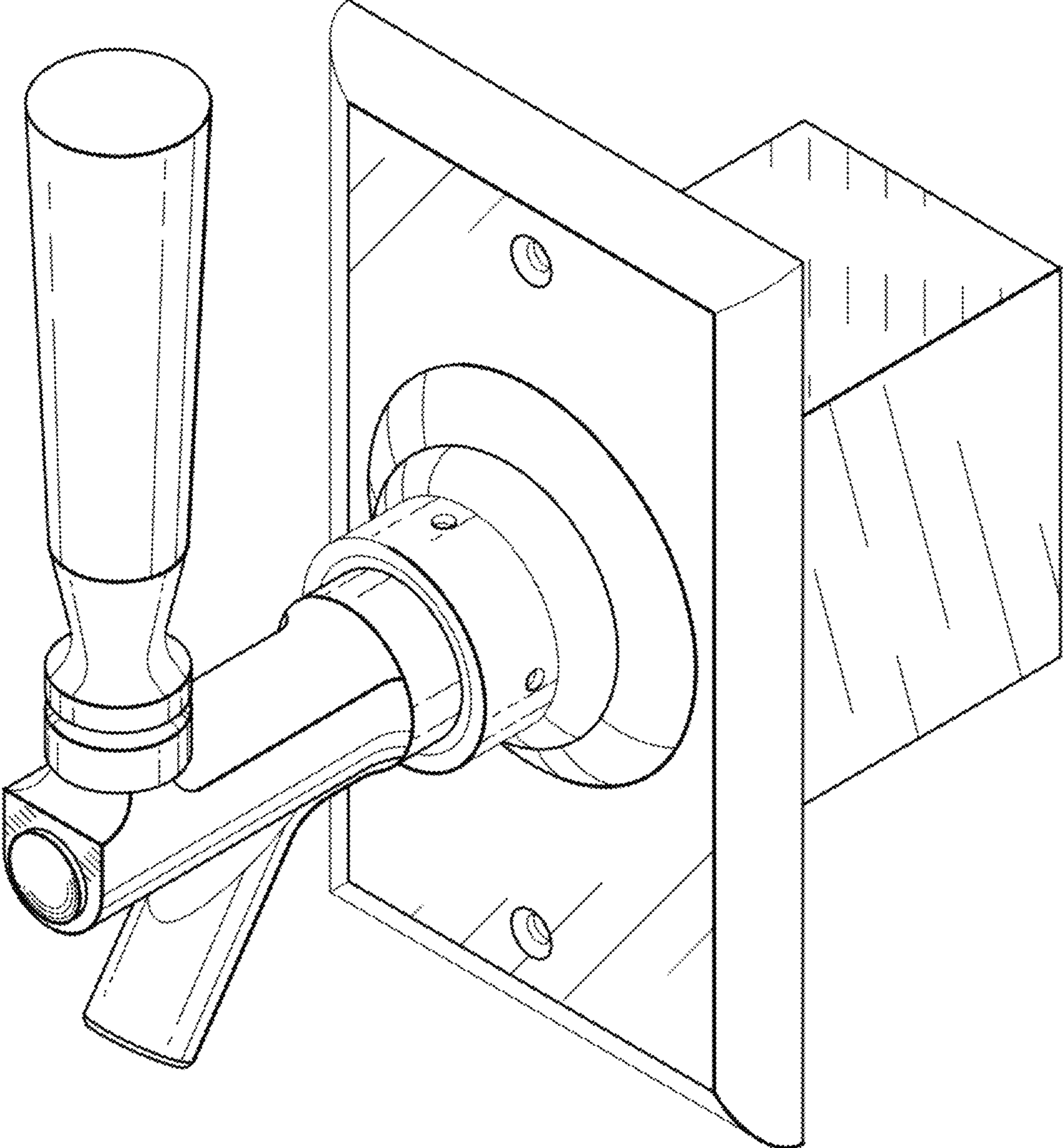


FIG. 1

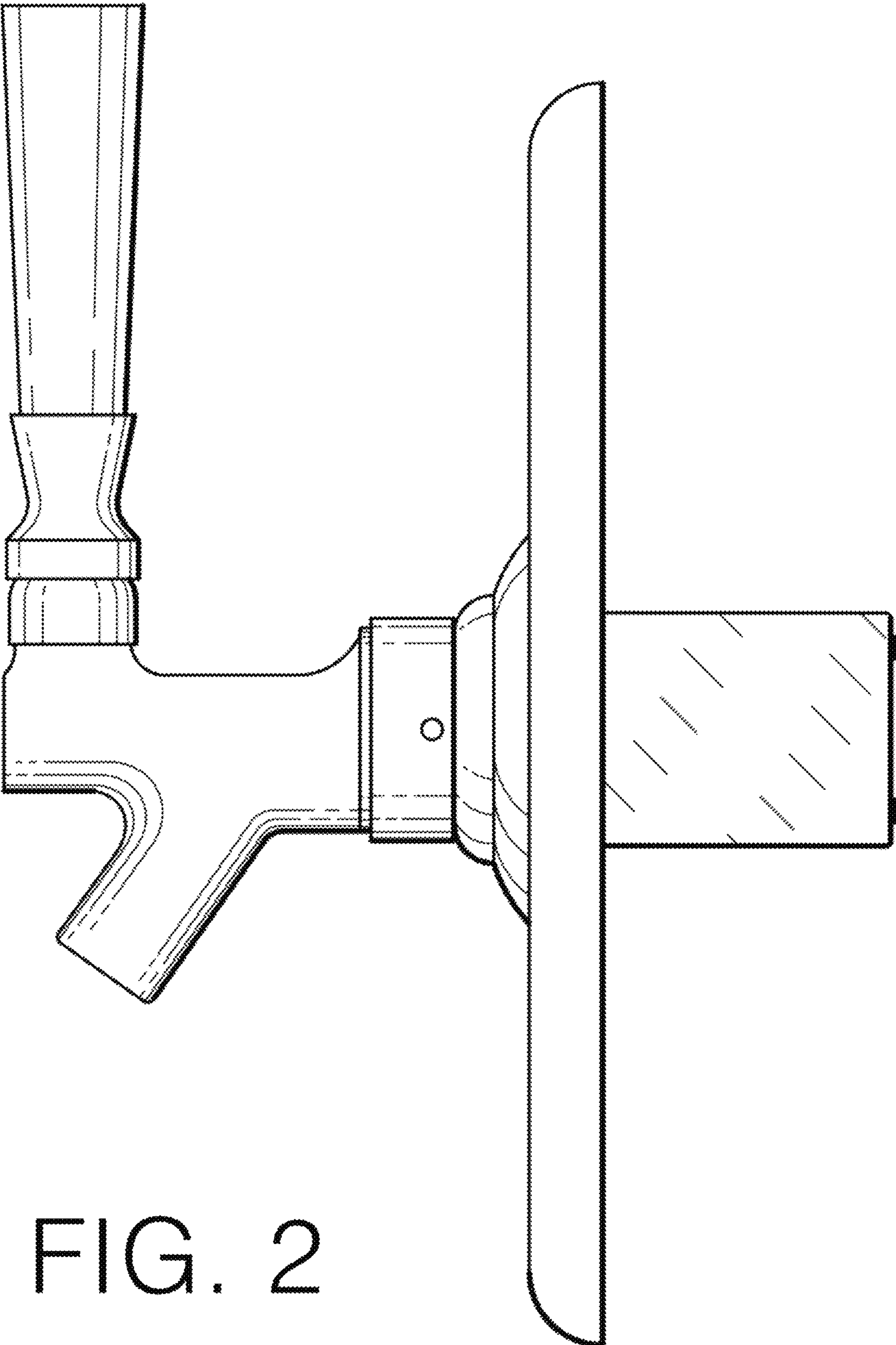


FIG. 2

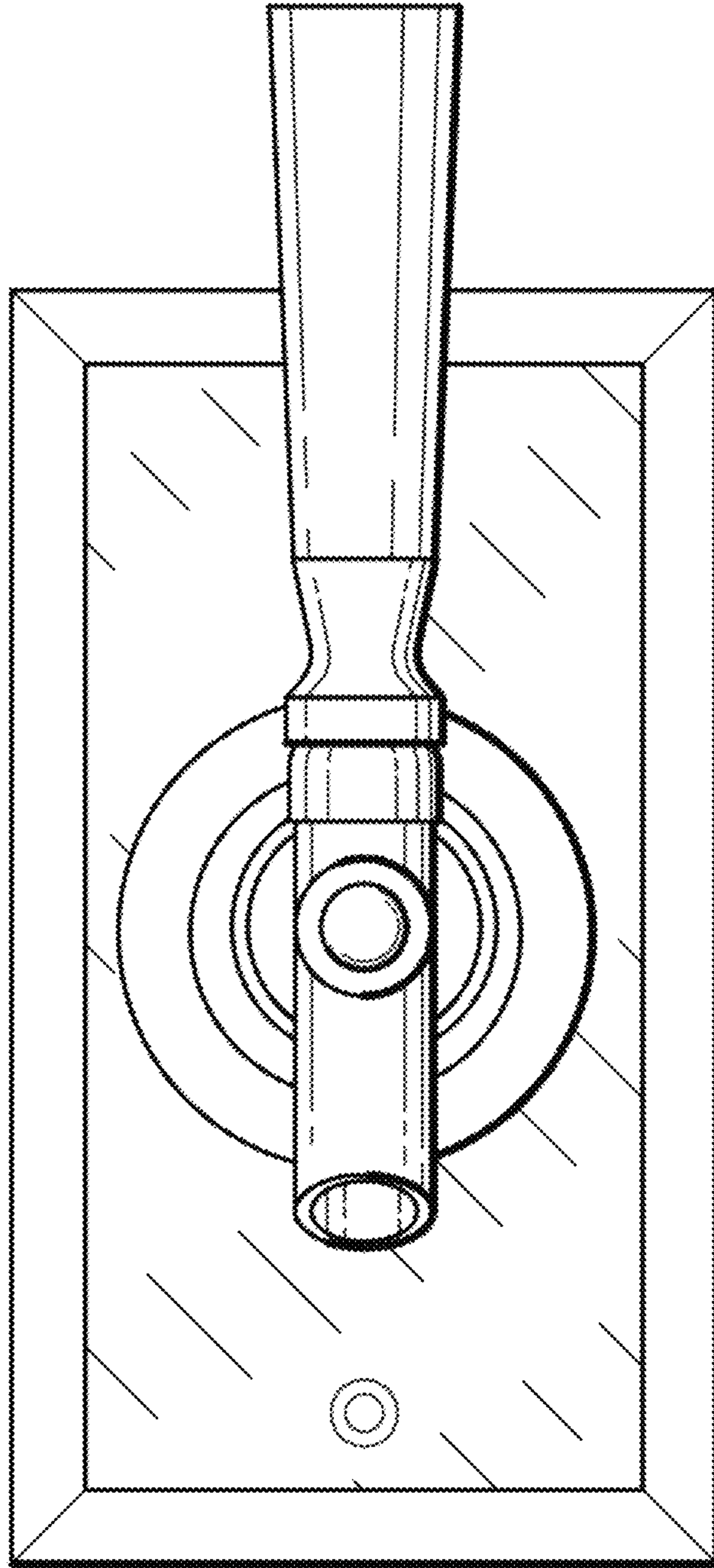


FIG. 3

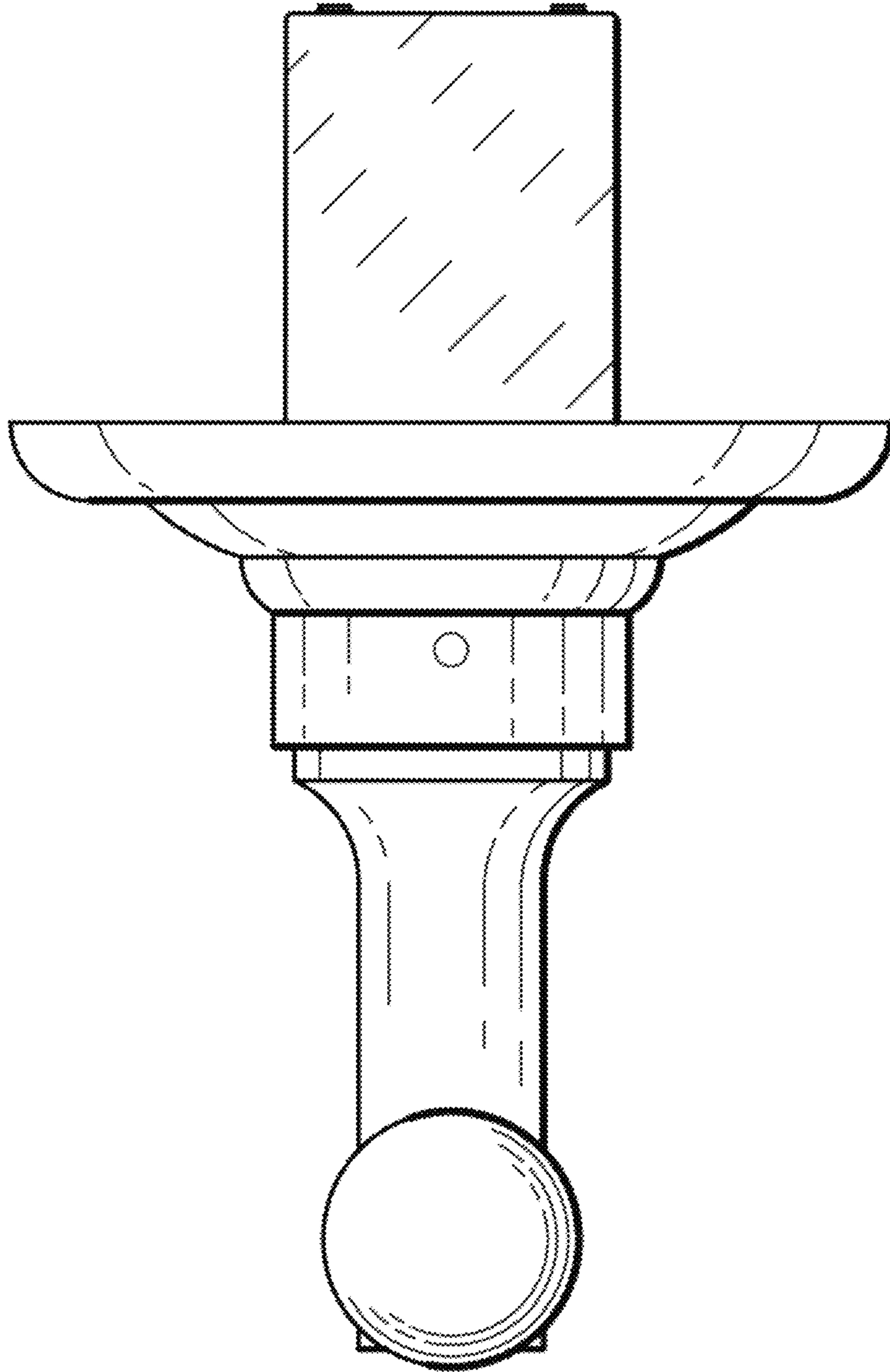


FIG. 4

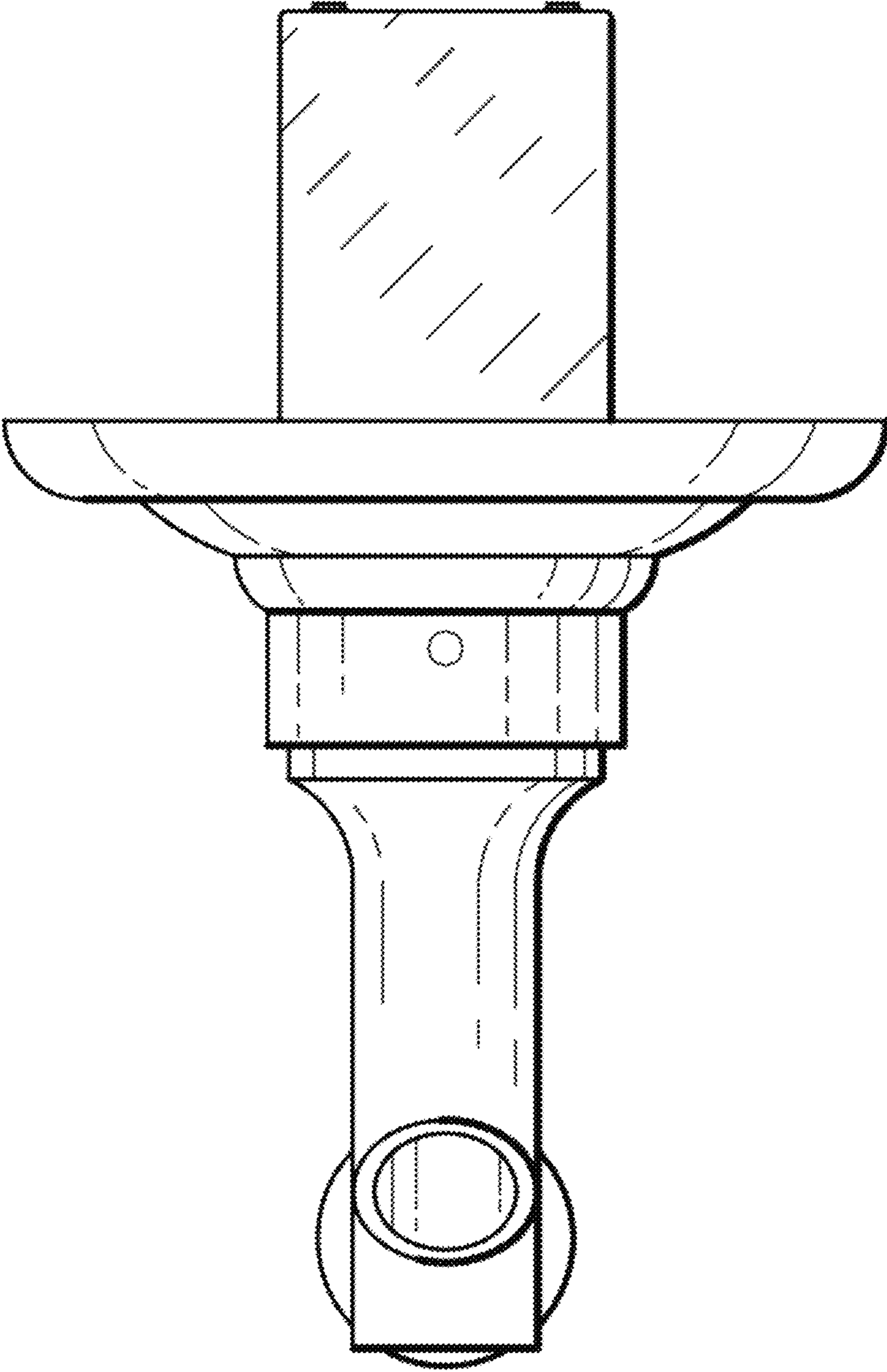


FIG. 5

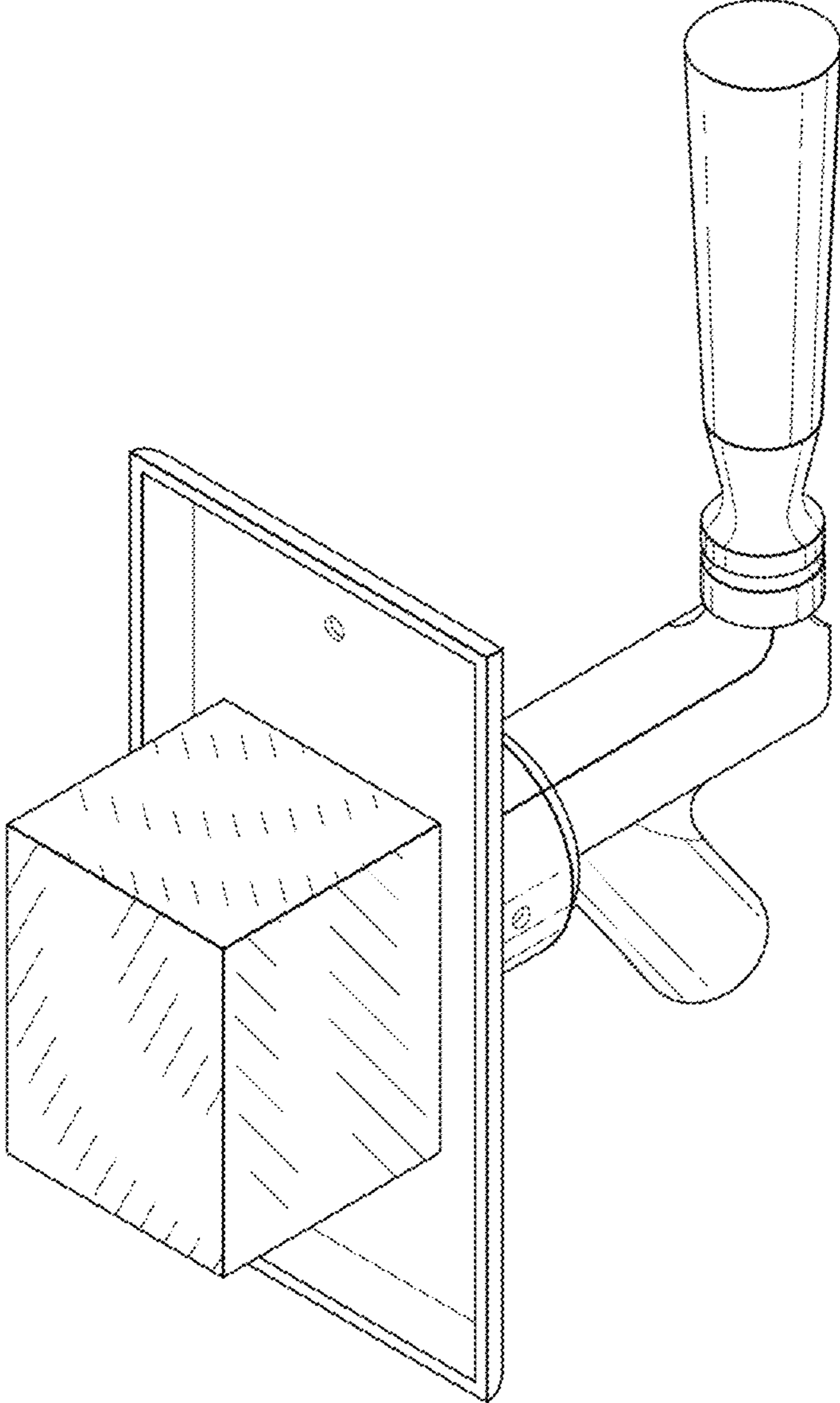


FIG. 6

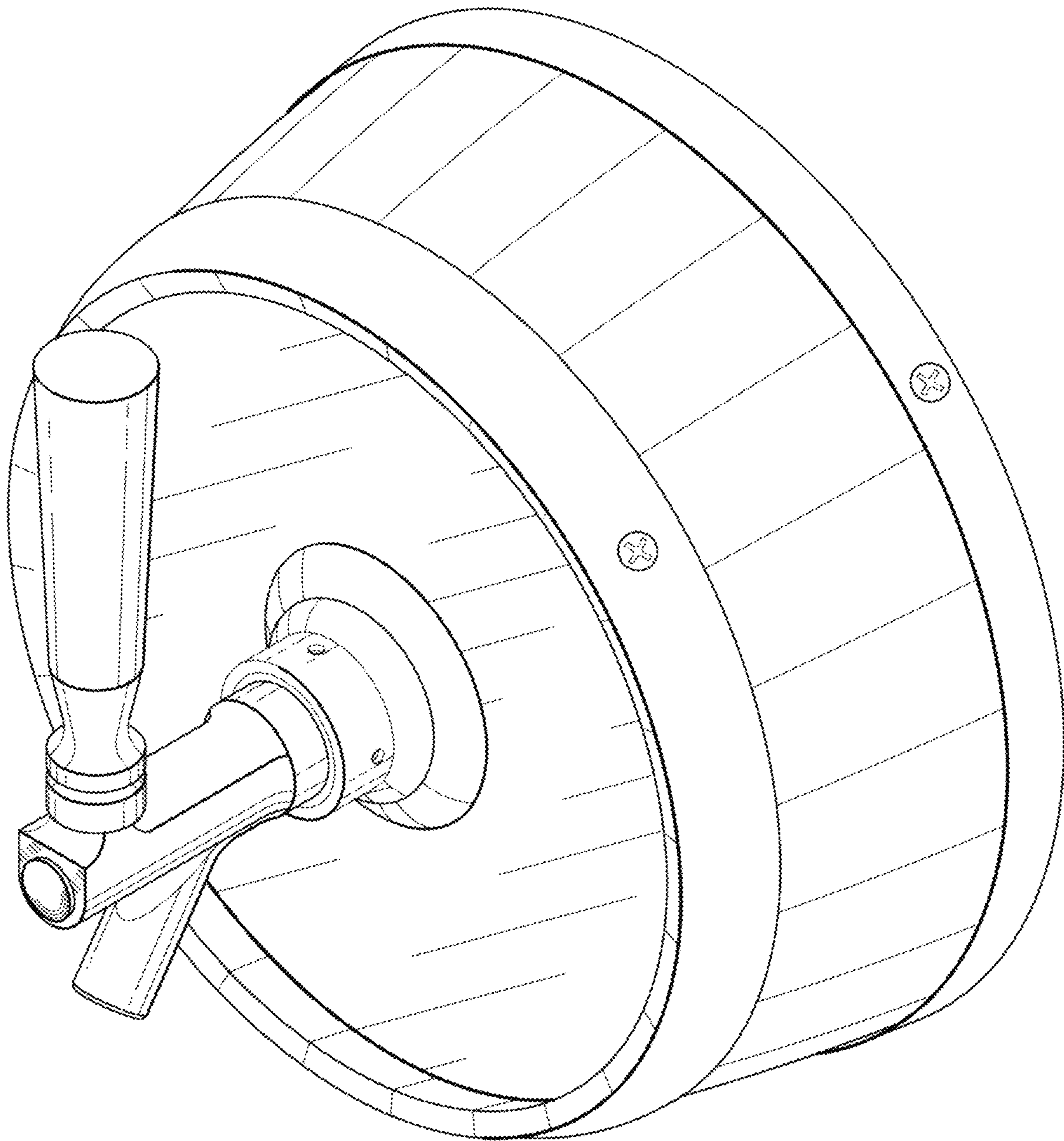


FIG. 7

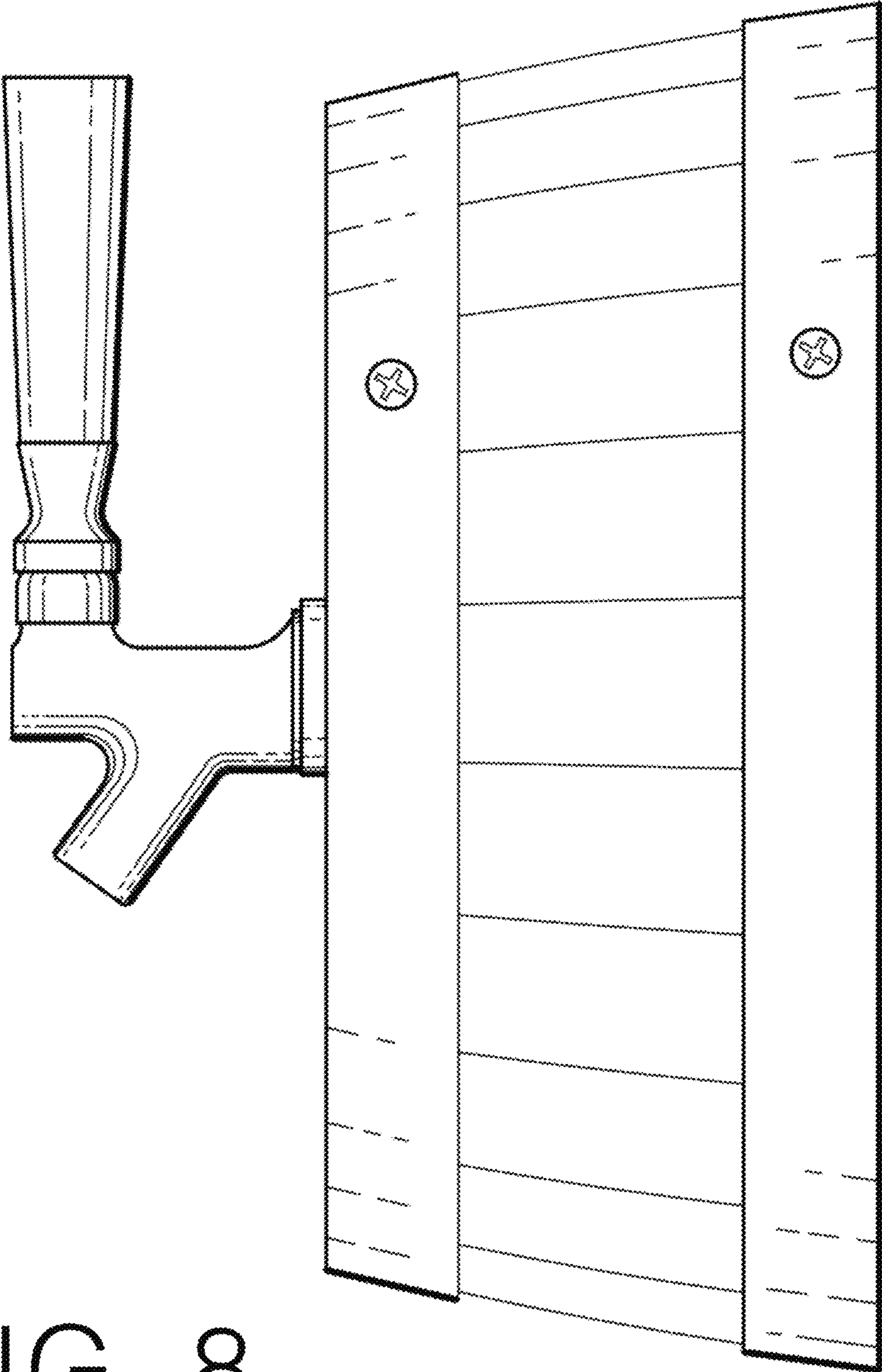


FIG. 8

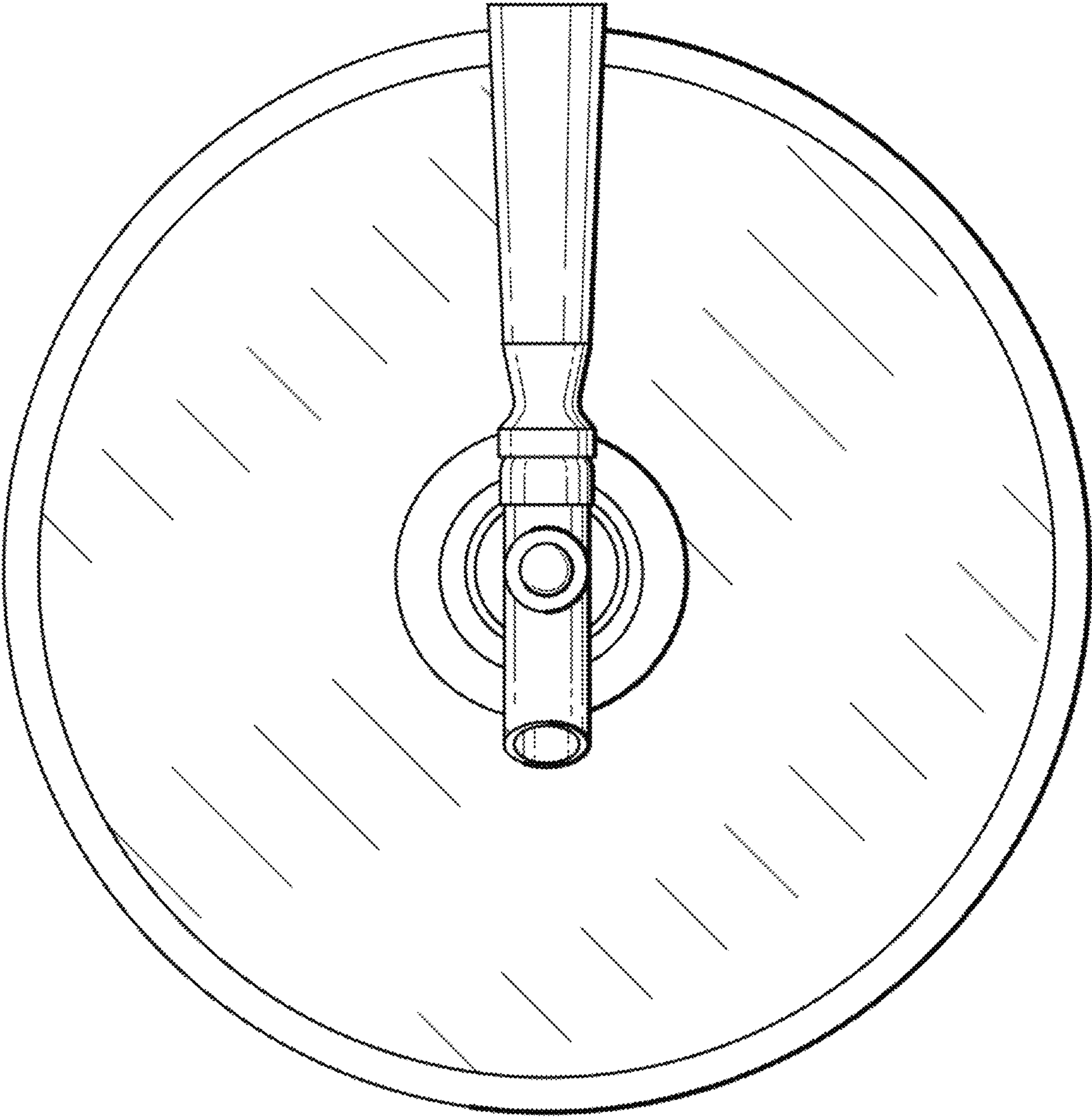


FIG. 9

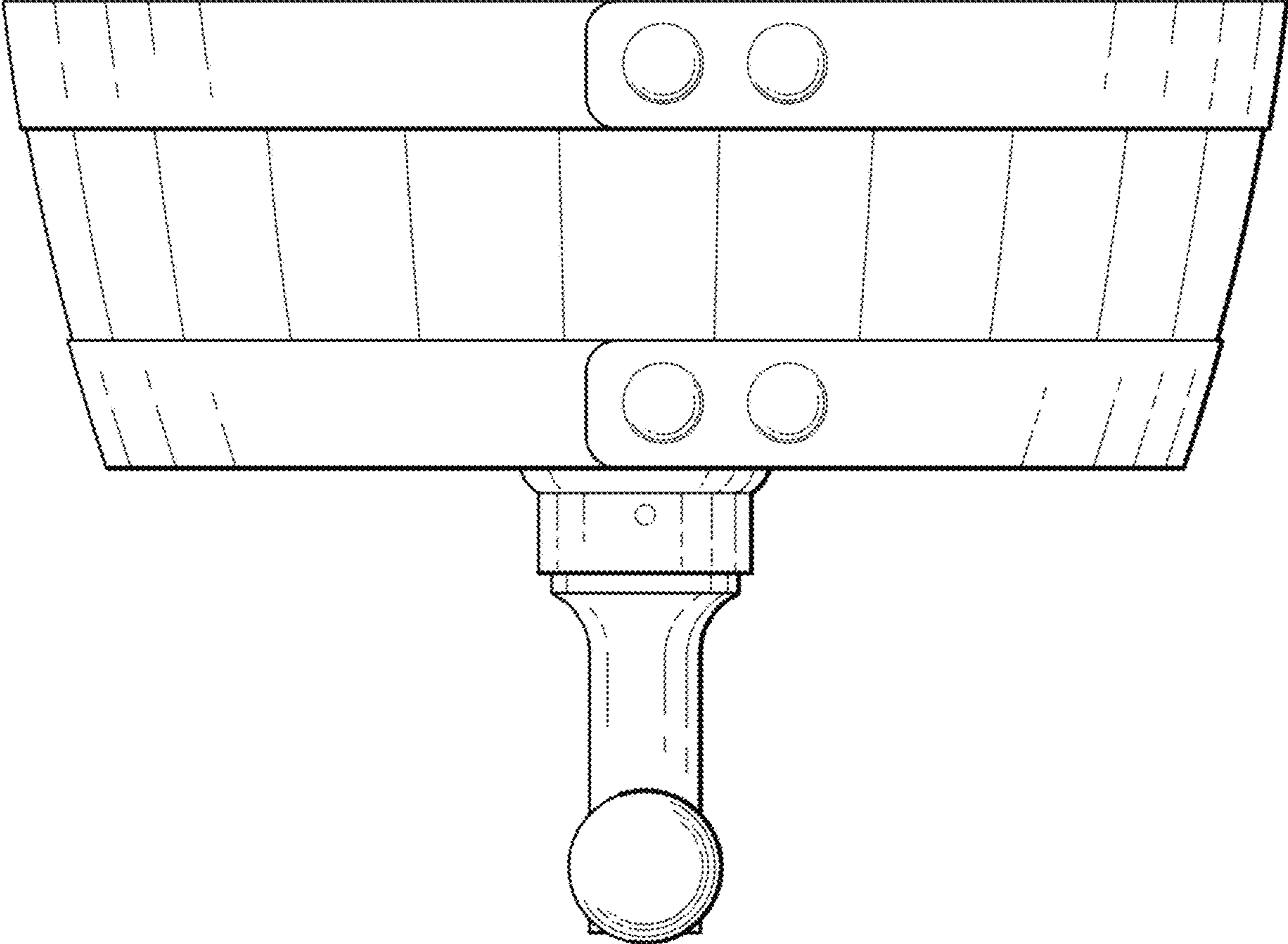


FIG. 10

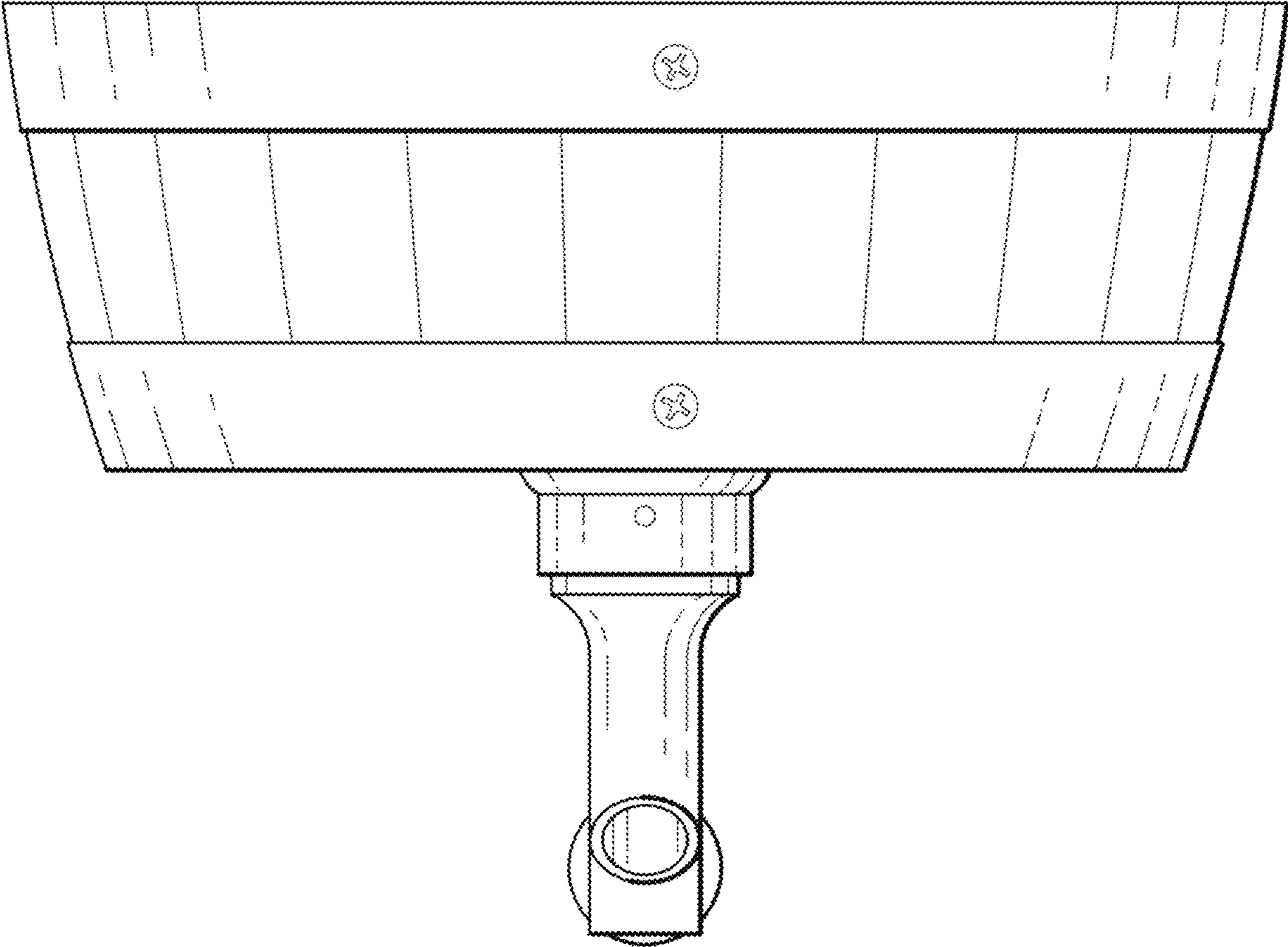


FIG. 11

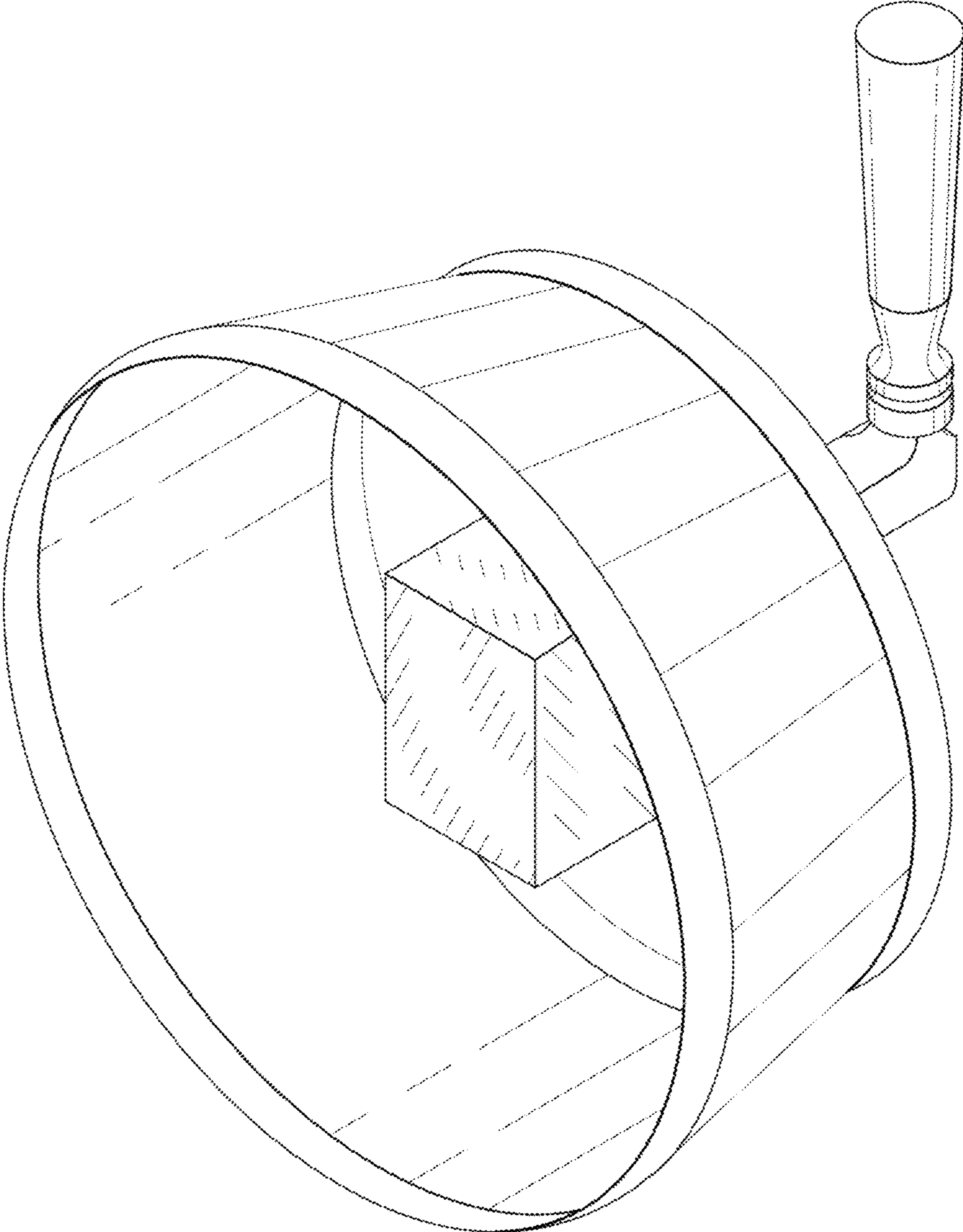


FIG. 12