



US00D938803S

(12) **United States Design Patent** (10) **Patent No.:** **US D938,803 S**
Gualtieri (45) **Date of Patent:** **** Dec. 21, 2021**

(54) **BRACKET**
(71) Applicant: **Orazio Gualtieri**, London (GB)
(72) Inventor: **Orazio Gualtieri**, London (GB)
(**) Term: **15 Years**
(21) Appl. No.: **29/741,686**
(22) Filed: **Jul. 15, 2020**

D655,149 S * 3/2012 Dotsey D8/354
D663,190 S * 7/2012 Mota D8/349
D667,288 S * 9/2012 Preda D8/354
D667,289 S * 9/2012 Preda D8/354
D684,033 S * 6/2013 Preda D8/354
D699,097 S * 2/2014 Chung D8/354
D729,043 S * 5/2015 Poppell D8/354
D747,177 S * 1/2016 McGinty D8/349
D750,468 S * 3/2016 Bird D8/354
D750,469 S * 3/2016 Bird D8/354
D763,062 S * 8/2016 Tatem D8/354

* cited by examiner

(30) **Foreign Application Priority Data**

Jan. 29, 2020 (EP) 007570221-0001

(51) **LOC (13) Cl.** **08-08**

(52) **U.S. Cl.**
USPC **D8/349**

(58) **Field of Classification Search**
USPC D8/363, 373, 354, 394, 349; D16/200,
D16/204, 208, 213-219, 235, 237-250;
D14/203, 209, 217, 224, 250-253, 345,
D14/440

CPC G03B 17/02; G03B 17/04; G03B 17/14;
G03B 21/20-2066; G03B 15/041-0436;
G03B 17/56; G03B 17/19

See application file for complete search history.

(56) **References Cited**

U.S. PATENT DOCUMENTS

D622,578 S * 8/2010 Kollman D8/380
D649,016 S * 11/2011 Rasmussen D8/354

Primary Examiner — Mark A Goodwin

(74) *Attorney, Agent, or Firm* — Koffsky Schwalb LLC;
Mark I. Koffsky

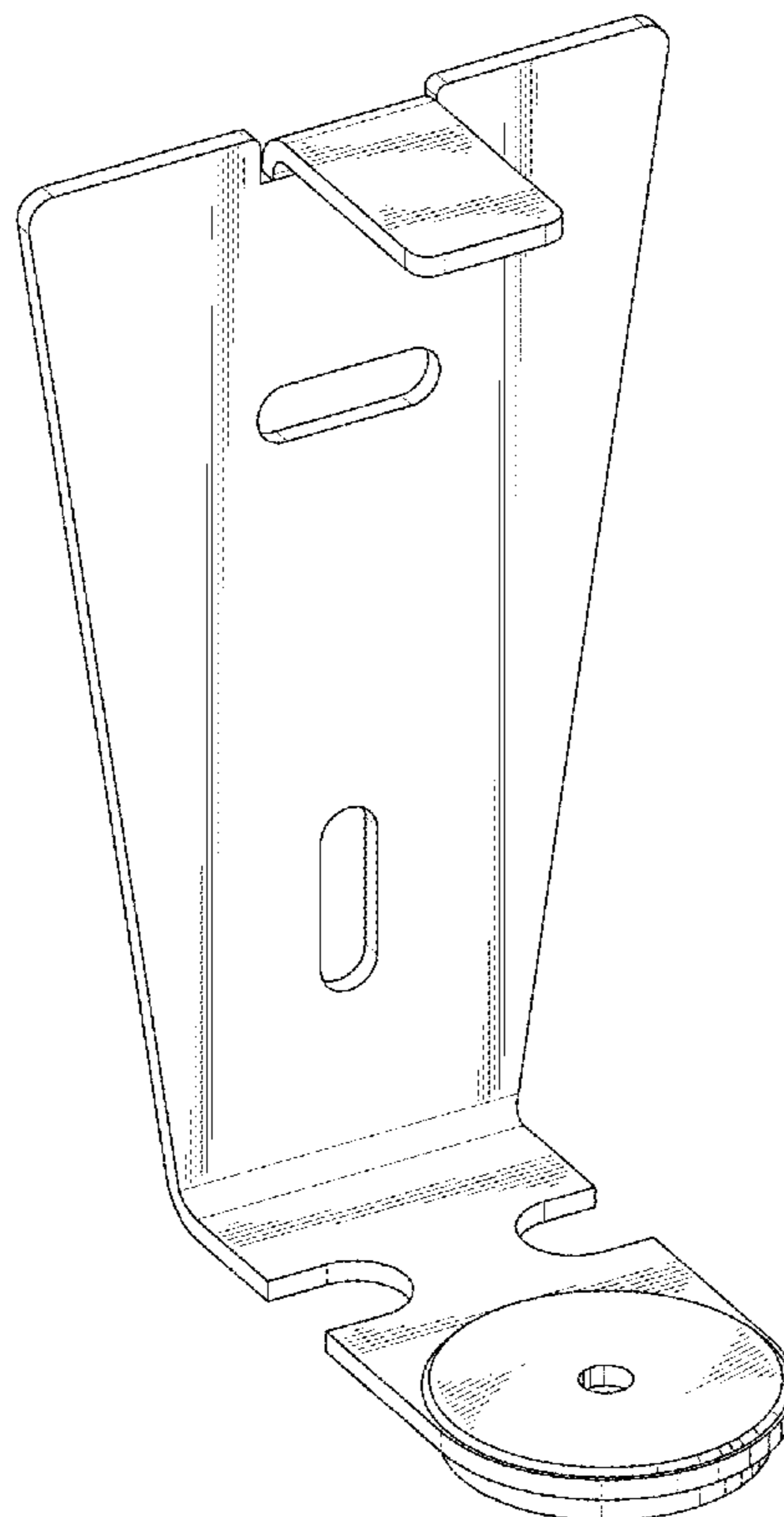
(57) **CLAIM**

I claim the ornamental design for a bracket, as shown and described.

DESCRIPTION

FIG. 1 is a front perspective view of a bracket in accordance with the present invention;
FIG. 2 is a front view thereof;
FIG. 3 is a rear view thereof;
FIG. 4 is a left view thereof;
FIG. 5 is a right view thereof;
FIG. 6 is a top view thereof; and,
FIG. 7 is a bottom view thereof.

1 Claim, 7 Drawing Sheets



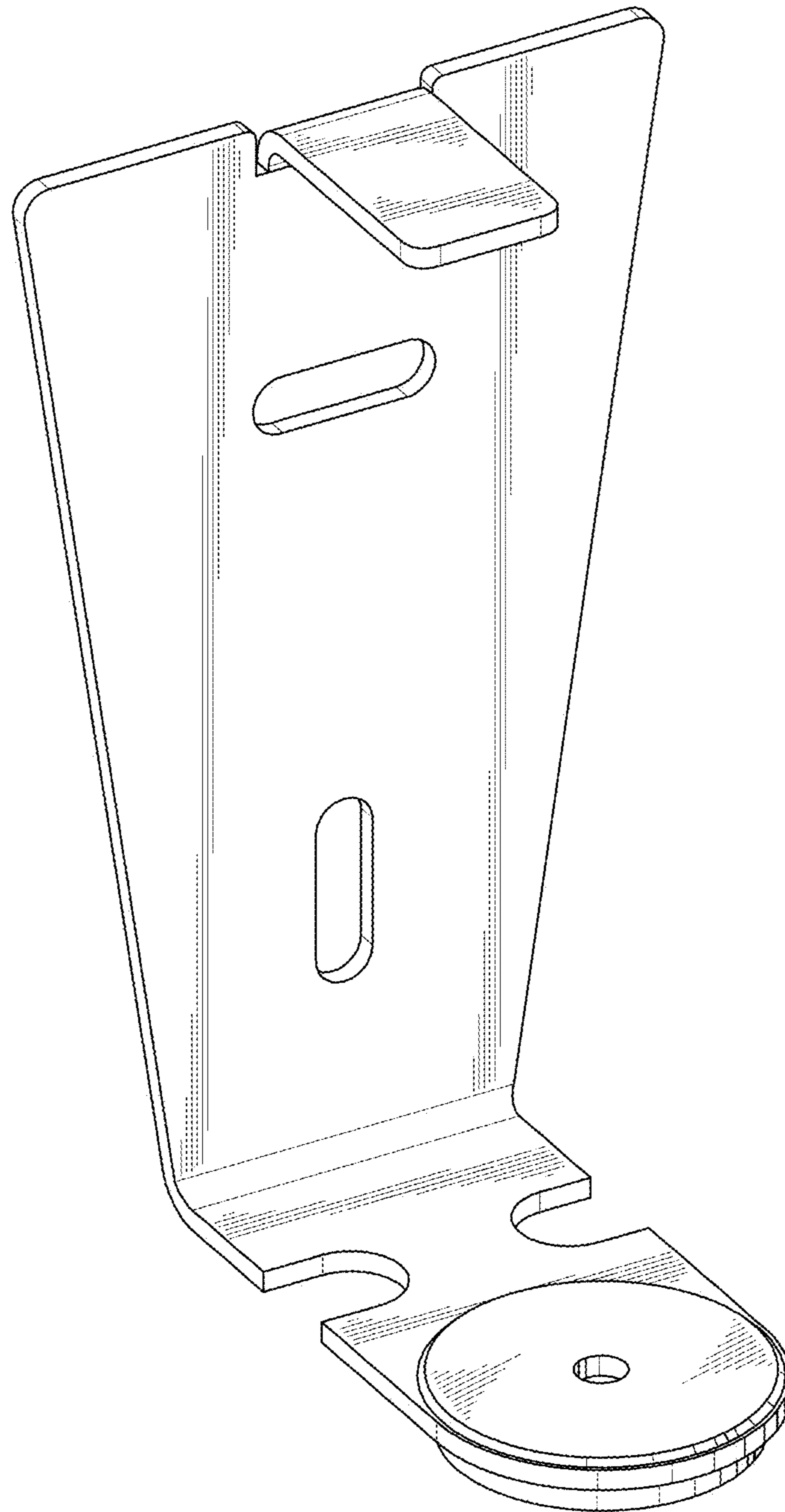


FIG. 1

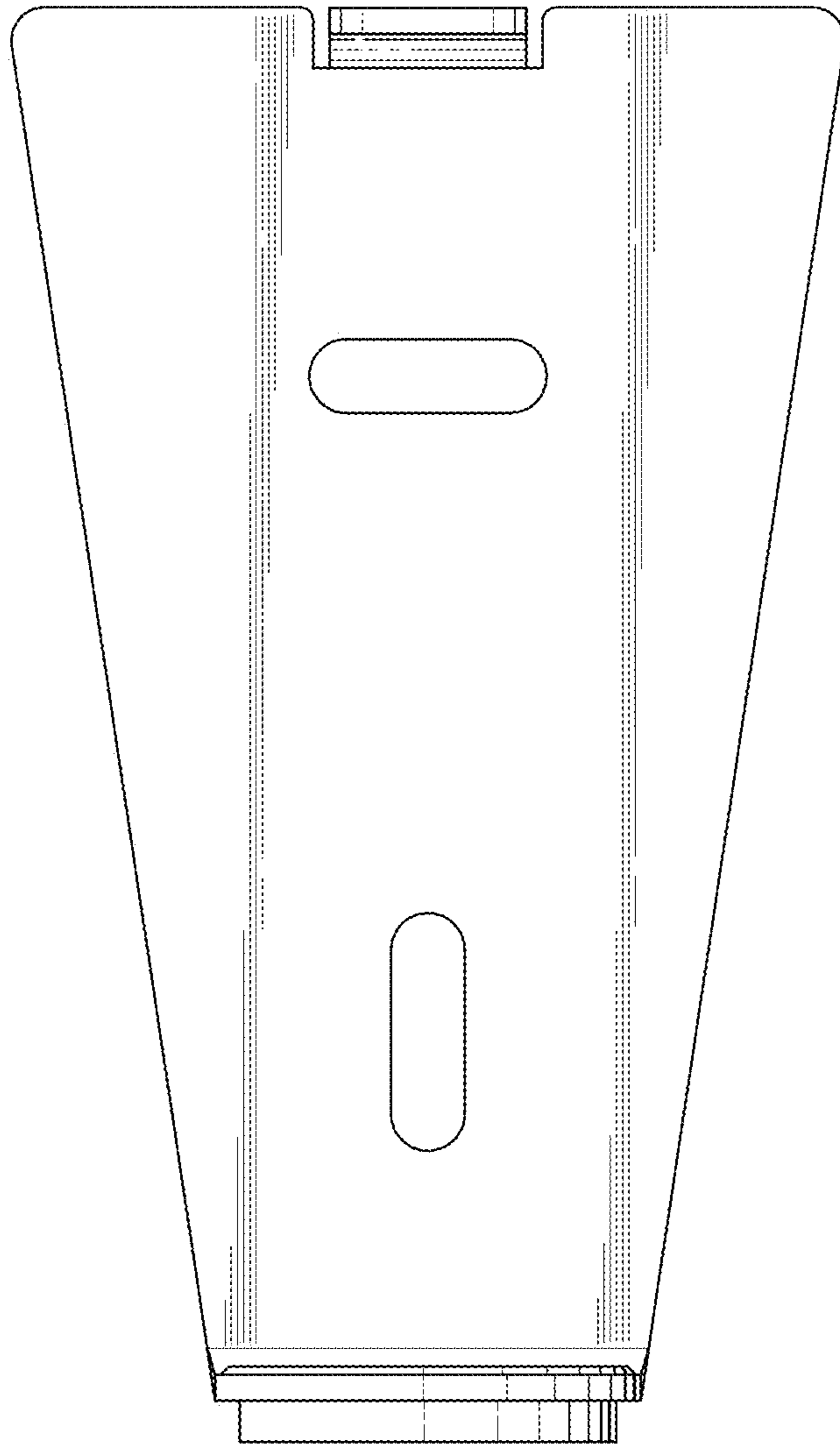


FIG. 2

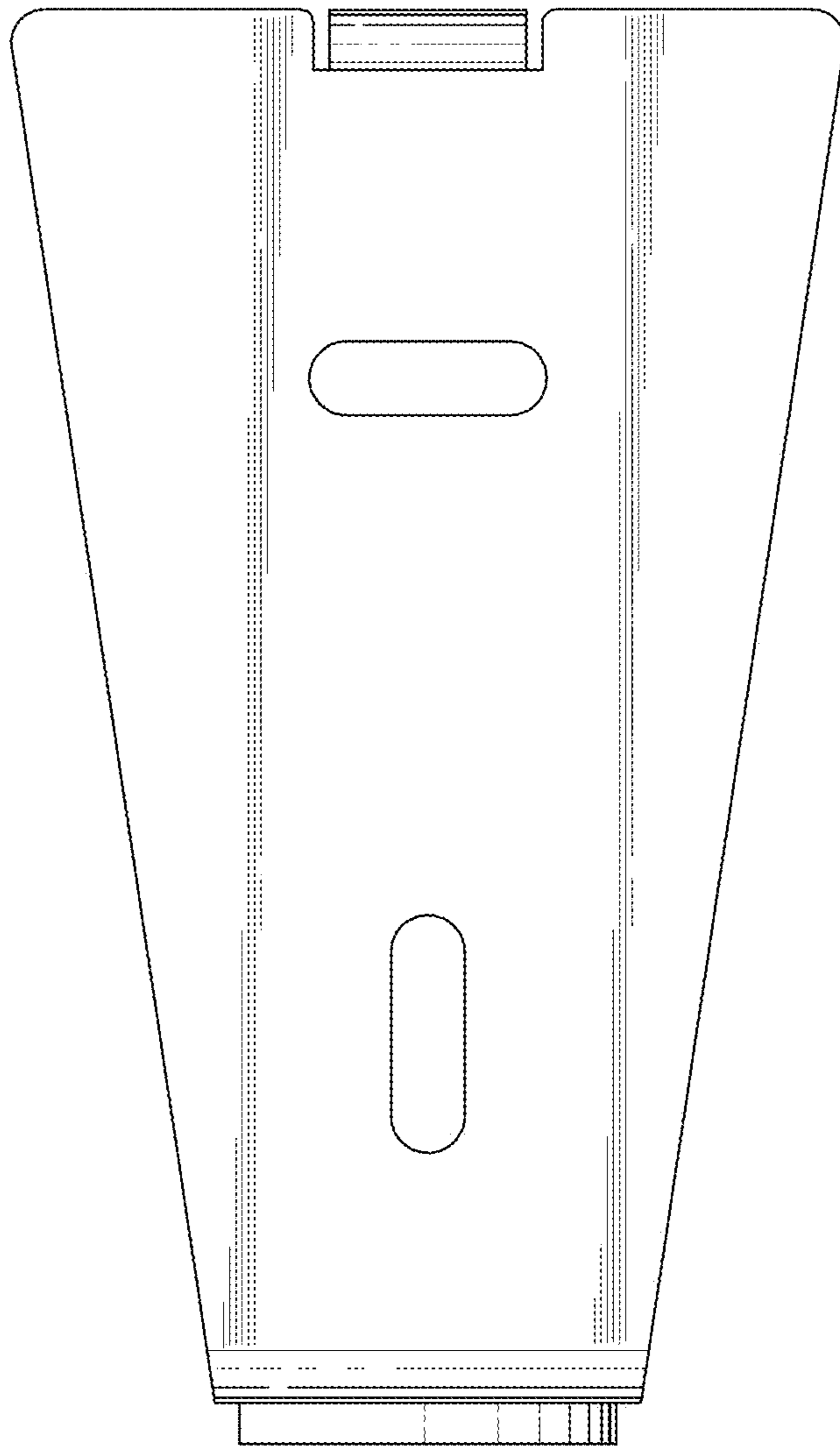


FIG. 3

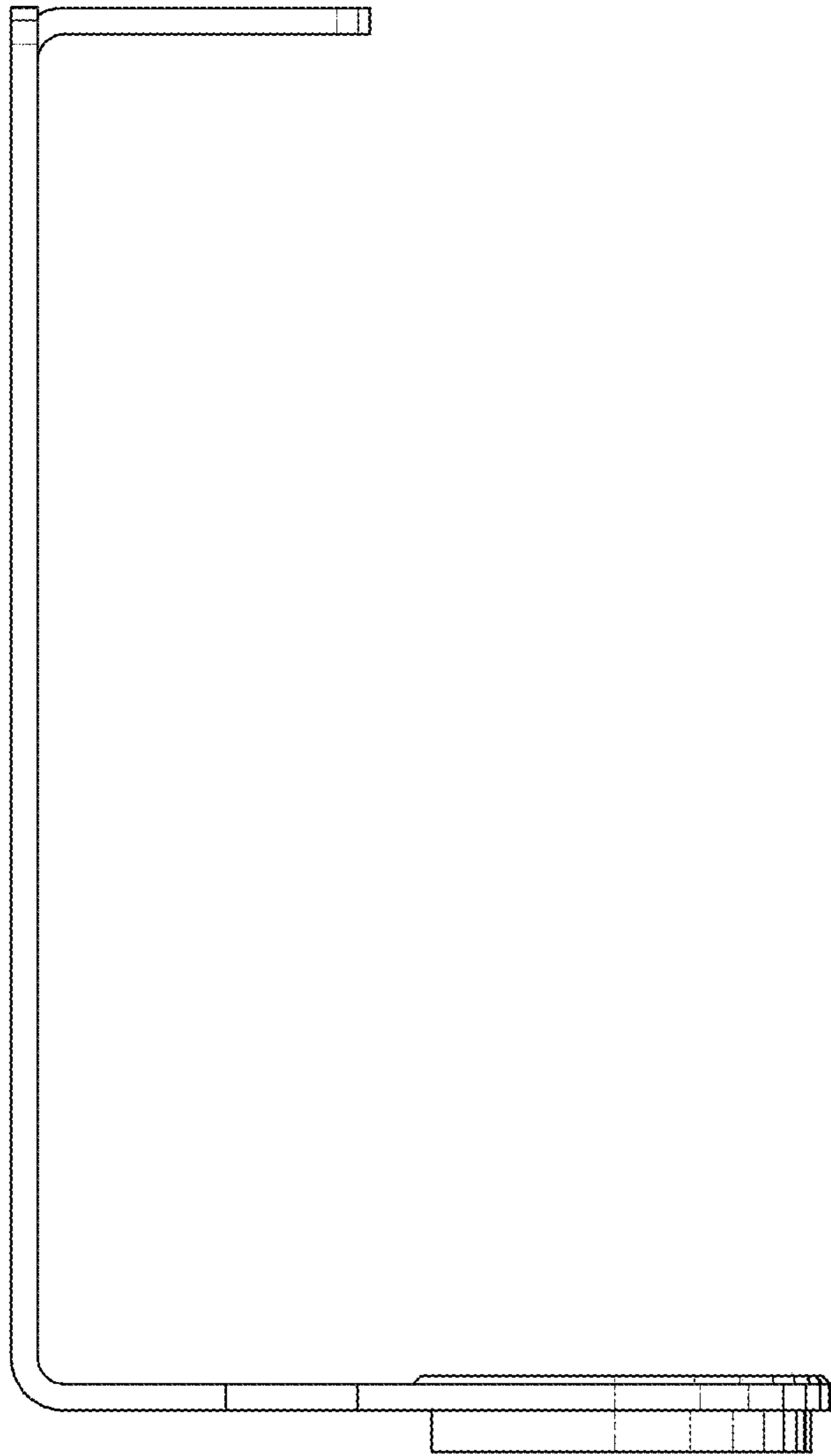


FIG. 4

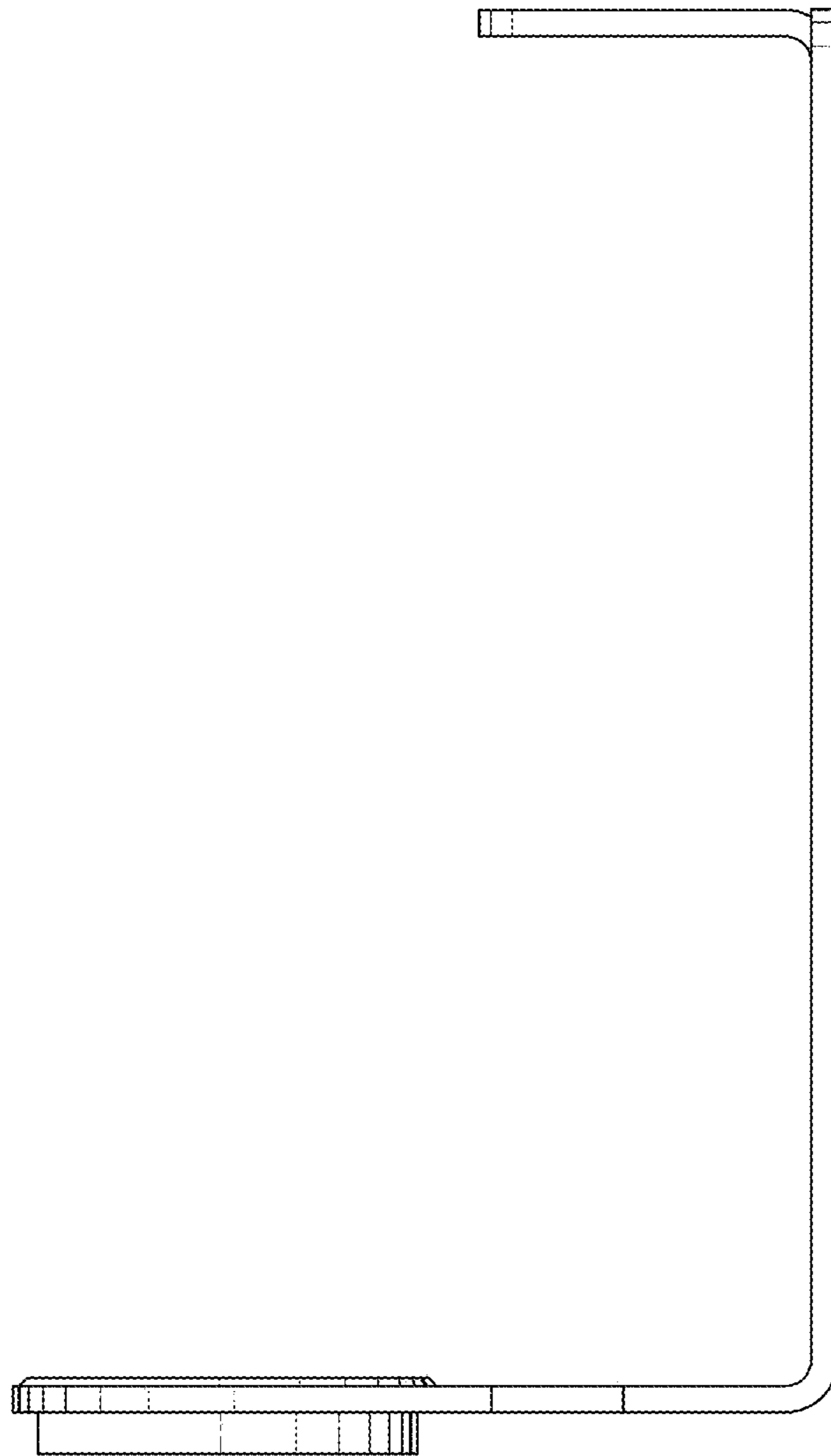


FIG. 5

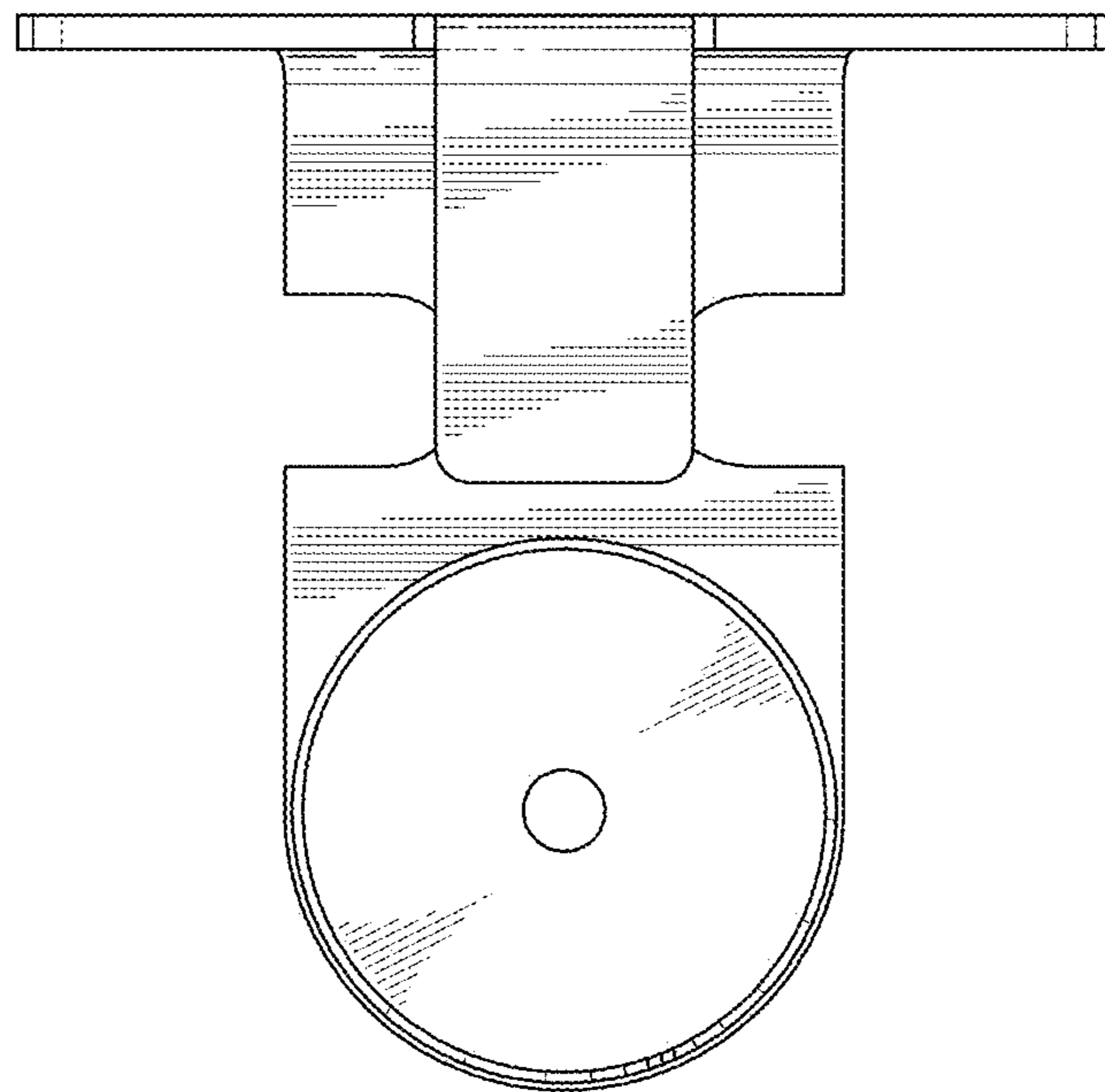


FIG. 6

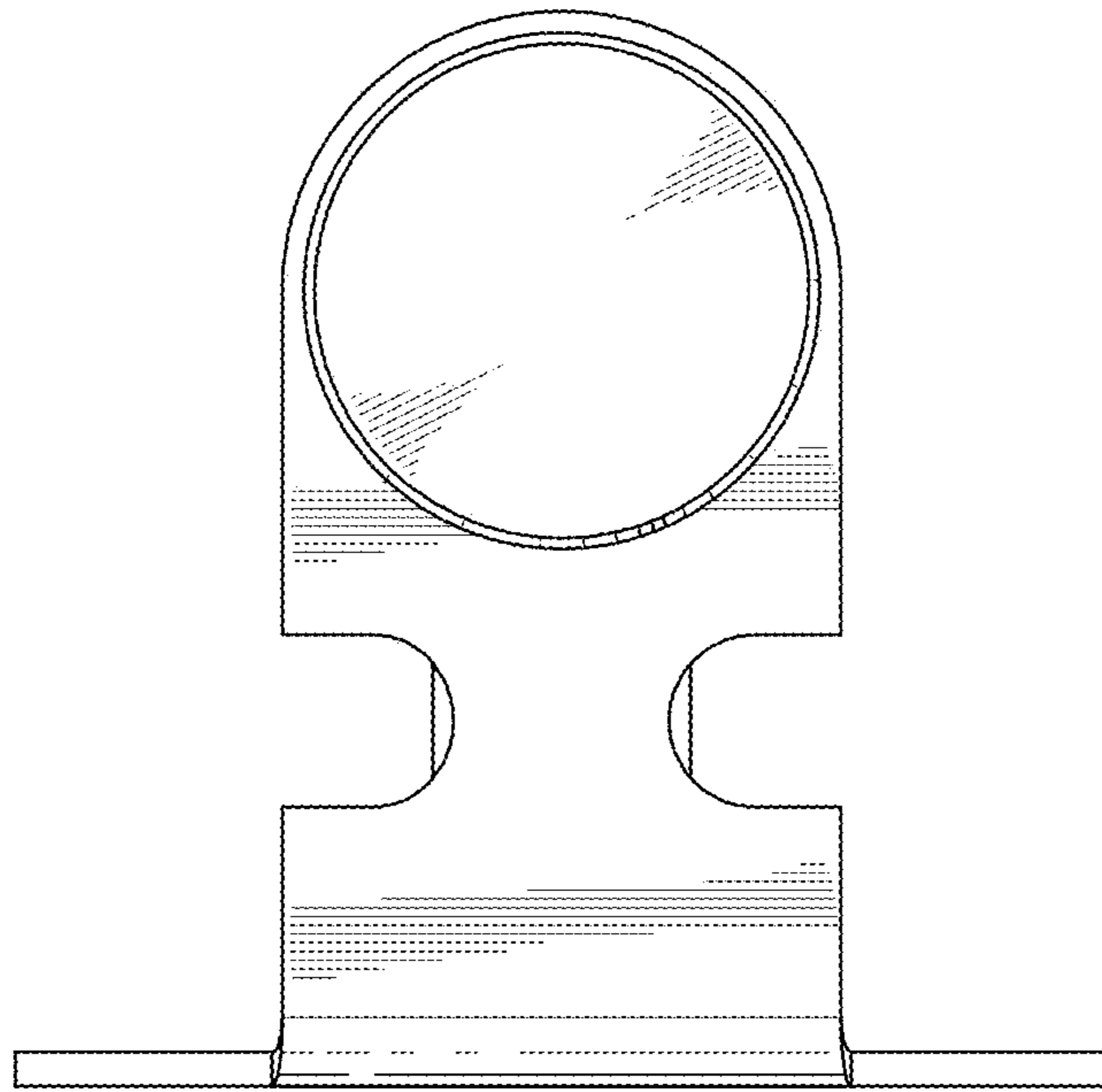


FIG. 7