



US00D938802S

(12) **United States Design Patent**
Maggard

(10) **Patent No.:** **US D938,802 S**

(45) **Date of Patent:** **** Dec. 21, 2021**

(54) **PUCK LOCK HOLDER**

(71) Applicant: **Paul R. Maggard**, Coconut Creek, FL (US)

(72) Inventor: **Paul R. Maggard**, Coconut Creek, FL (US)

(**) Term: **15 Years**

(21) Appl. No.: **29/686,279**

(22) Filed: **Apr. 3, 2019**

(51) **LOC (13) Cl.** **08-08**

(52) **U.S. Cl.**
USPC **D8/343**; D8/373; D6/553

(58) **Field of Classification Search**
USPC D8/330-333, 336, 338, 343-346,
D8/300-302, 306-329

(Continued)

(56) **References Cited**

U.S. PATENT DOCUMENTS

4,458,872 A * 7/1984 Couch A47G 1/162
24/DIG. 32
D280,466 S * 9/1985 Seltzer D12/422
(Continued)

FOREIGN PATENT DOCUMENTS

CN 305865983 * 2/2020
GB 3014345 * 9/2003
(Continued)

OTHER PUBLICATIONS

QWORK Store, Steel Puck Lock, Date first available May 25, 2020, [online]retrieved Apr. 28, 2021, available from https://www.amazon.com/QWORK-Hidden-Shackle-Vending-Machines/dp/B0895NB4S3/ref=psdc_511384_t1_B000LEHEO0 (Year: 2020).*

(Continued)

Primary Examiner — Keli L Hill
Assistant Examiner — Sara S Sahneh

(74) *Attorney, Agent, or Firm* — Nancy J. Flint, Attorney At Law, P.A.; Nancy J. Flint, Esq.

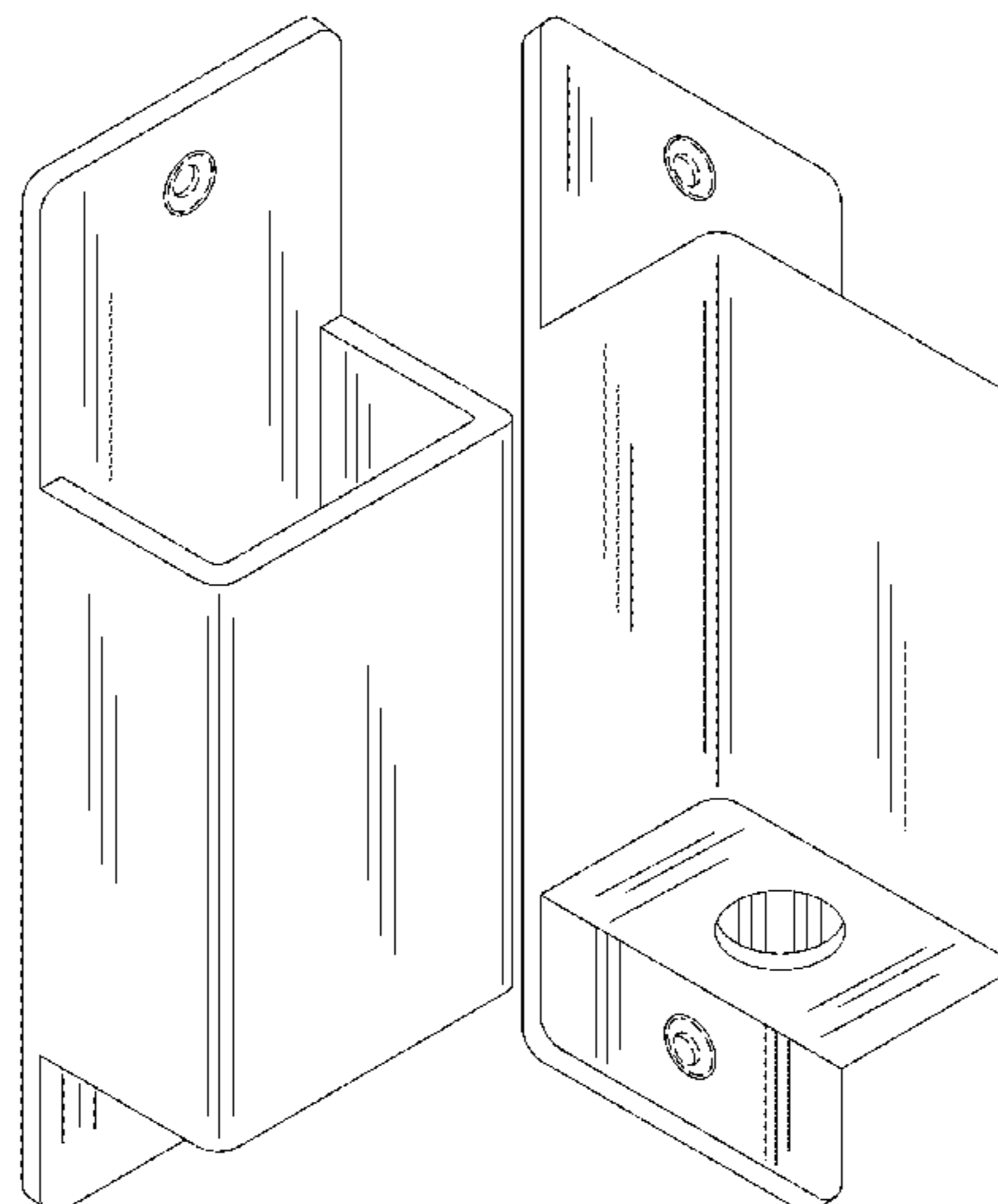
(57) **CLAIM**

The ornamental design for a puck lock holder, as shown and described.

DESCRIPTION

FIG. 1 is a top perspective view of a first embodiment of a puck lock holder showing my new design;
FIG. 2 is a bottom perspective view of the first embodiment of the puck lock holder;
FIG. 3 is a left side view of the first embodiment of the puck lock holder;
FIG. 4 is a front view of the puck lock holder of FIG. 1;
FIG. 5 is a rear view of the puck lock holder of FIG. 1;
FIG. 6 is a top view of the puck lock holder of FIG. 1;
FIG. 7 is a bottom view of the puck lock holder of FIG. 1;
FIG. 8 is a left side cross-sectional view taken along line 8-8 of FIG. 6 in an alternate disclaimed example environment;
FIG. 9 is a top perspective view of a second embodiment of the puck lock holder;
FIG. 10 is a bottom perspective view of the puck lock holder of FIG. 9;
FIG. 11 is a left side view of the puck lock holder of FIG. 9;
FIG. 12 is a front view of the puck lock holder of FIG. 9;
FIG. 13 is a rear view of the puck lock holder of FIG. 9;
FIG. 14 is a top view of the puck lock holder of FIG. 9;
FIG. 15 is a bottom view of the puck lock holder of FIG. 9; and,
FIG. 16 is a left side cross-sectional view taken along line 14-14 of FIG. 14 in an alternate disclaimed example environment.
Right side views not shown are mirror images of left side views. Broken lines shown are included for the purpose of illustrating portions of the puck lock holder that form no part of the claimed design. Broken lines shown in FIGS. 8 and 16 depict environment that forms no part of the claimed design.

1 Claim, 12 Drawing Sheets



(58) **Field of Classification Search**

CPC G07C 9/00309; G07C 2009/00642; E05C 19/08; E05B 67/36; H04W 4/80; A47G 1/16; A47G 1/20; A47G 25/0635; A47G 1/1606; A47G 1/162; A45F 2005/025; A45F 2005/026; A47F 5/0823; A47K 3/004; A47K 17/00; A47K 3/281; A47K 3/001; B23P 17/04; A47B 57/265; A47B 57/565; A47B 57/26; A47B 23/00

See application file for complete search history.

(56) **References Cited**

U.S. PATENT DOCUMENTS

D281,477 S * 11/1985 Neff D6/567
 D310,760 S * 9/1990 Murphy D6/515
 D321,446 S * 11/1991 Liptak D19/90
 D344,885 S * 3/1994 Loew D8/373
 D367,795 S * 3/1996 Buckley D6/567
 6,651,829 B1 * 11/2003 Prochaska B25H 3/04
 211/65
 D492,187 S * 6/2004 Mottini D8/354
 D606,348 S * 12/2009 White D6/553
 D614,427 S * 4/2010 Nejad D6/553
 D667,249 S * 9/2012 London D6/553
 D727,143 S * 4/2015 Gomez D9/432
 D733,114 S * 6/2015 Dobben D14/251
 D750,909 S * 3/2016 Hickman D6/310
 9,686,390 B2 * 6/2017 Brewer H04B 1/3888
 D832,858 S * 11/2018 Wengreen D14/447
 D845,028 S * 4/2019 Corona D6/553
 D847,609 S * 5/2019 Ng D8/354
 D866,187 S * 11/2019 Reeves D3/304
 D918,010 S * 5/2021 Lynn D8/331

2013/0264834 A1* 10/2013 Stallbaumer E05B 13/001
 292/337
 2019/0051074 A1* 2/2019 Ufkes E05B 67/36
 2021/0112998 A1* 4/2021 Gargano A47F 5/0823

FOREIGN PATENT DOCUMENTS

GB 3021493 * 6/2005
 GB 4038601 * 12/2014
 GB 6013198 * 6/2017
 GB 6103065 * 10/2020
 JP D1411800 * 6/2010
 JP D1441010 * 10/2011
 JP D1480116 * 3/2013
 KR 300772561.0000 * 12/2013

OTHER PUBLICATIONS

Signs Direct Store, Panel U Bracket, Date first available Dec. 15, 2014, [online]retrieved Apr. 29, 2021, available from https://www.amazon.com/Signs-Direct-Sign-panel-Bracket/dp/B004LPSWAA/ref=sr_1_180?dchild=1&keywords=u+bracket&qid=1619731264&sr=8-180 (Year: 2014).*

Senfei, Heavy Duty Bar Security, Date first available Dec. 15, 2020, [online]retrieved Apr. 29, 2021, available from https://www.amazon.com/Senfei-Security-Bracket-Connector-Channel/dp/B08QMCKJGL/ref=sr_1_6?dchild=1&keywords=u+bracket&qid=1619730980&sr=8-6 (Year: 2020).*

Dog River Tools, Utility Trailer Stake Pocket, Date first available Aug. 20, 2019, [online]retrieved Apr. 28, 2021, available from https://www.amazon.com/dp/B07WSRQWP3/ref=sspa_dk_detail_3?psc=1&pd_rd_i=B07WSRQWP3&pd_rd_w=XfFYt&pf_rd_p=cbc856ed-1371-4f23-b89d-d3fb30edf66d&pd_rd_wg=NHxal&pf_rd_r=KZAT2JCRBE0J (Year: 2019).*

* cited by examiner

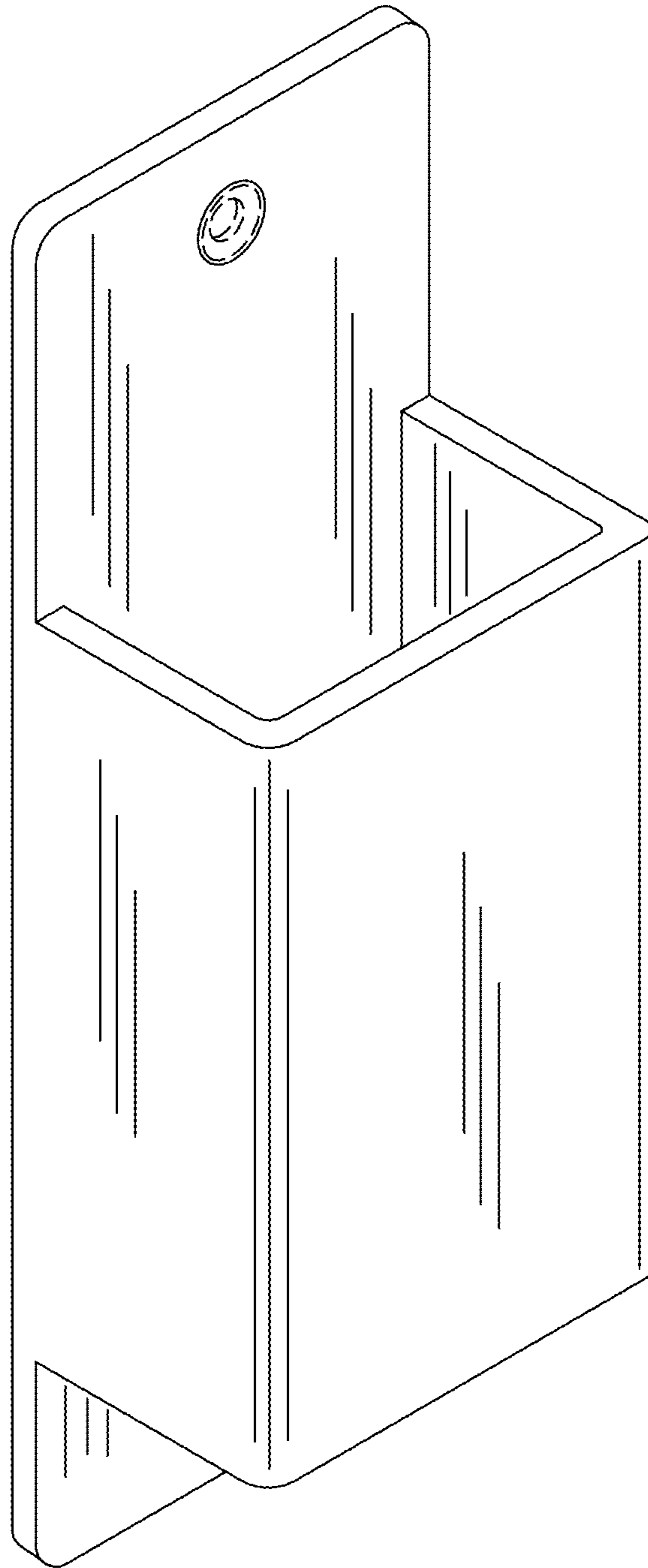


Fig. 1

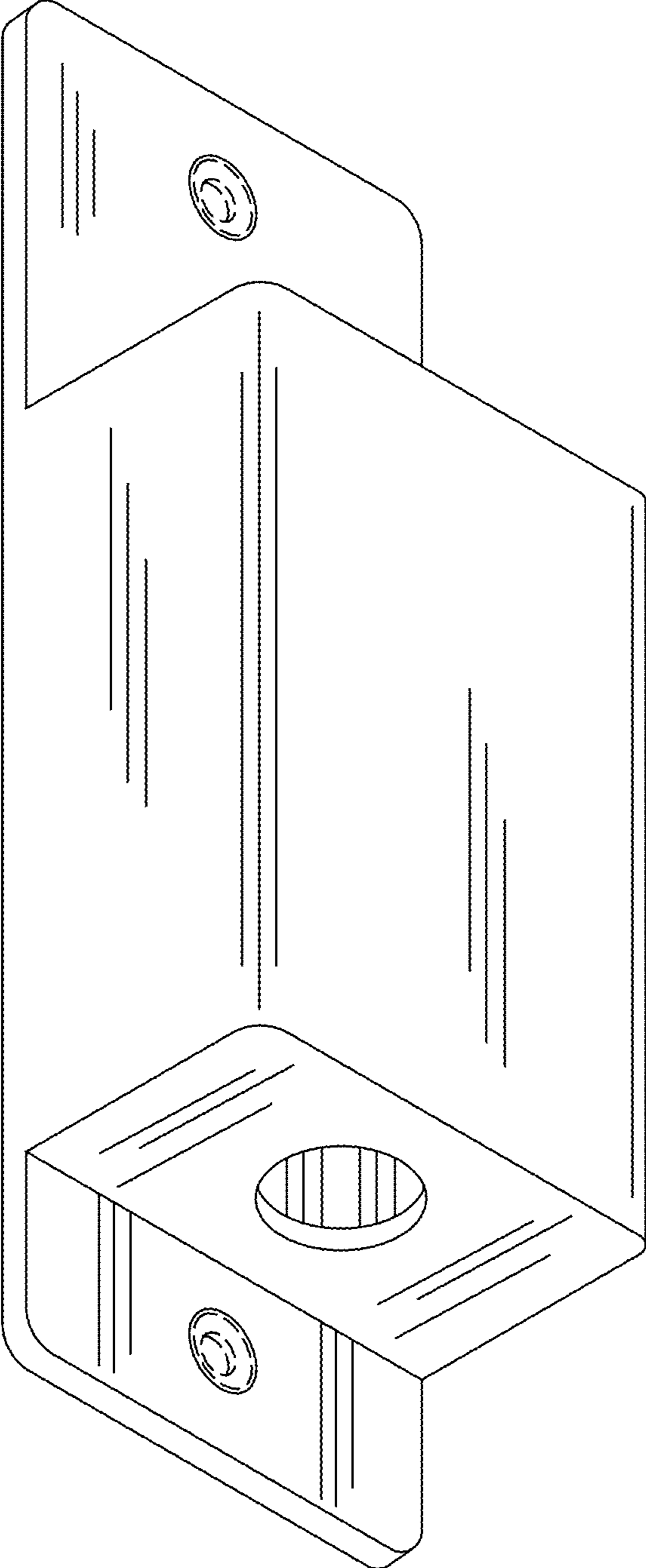


Fig. 2

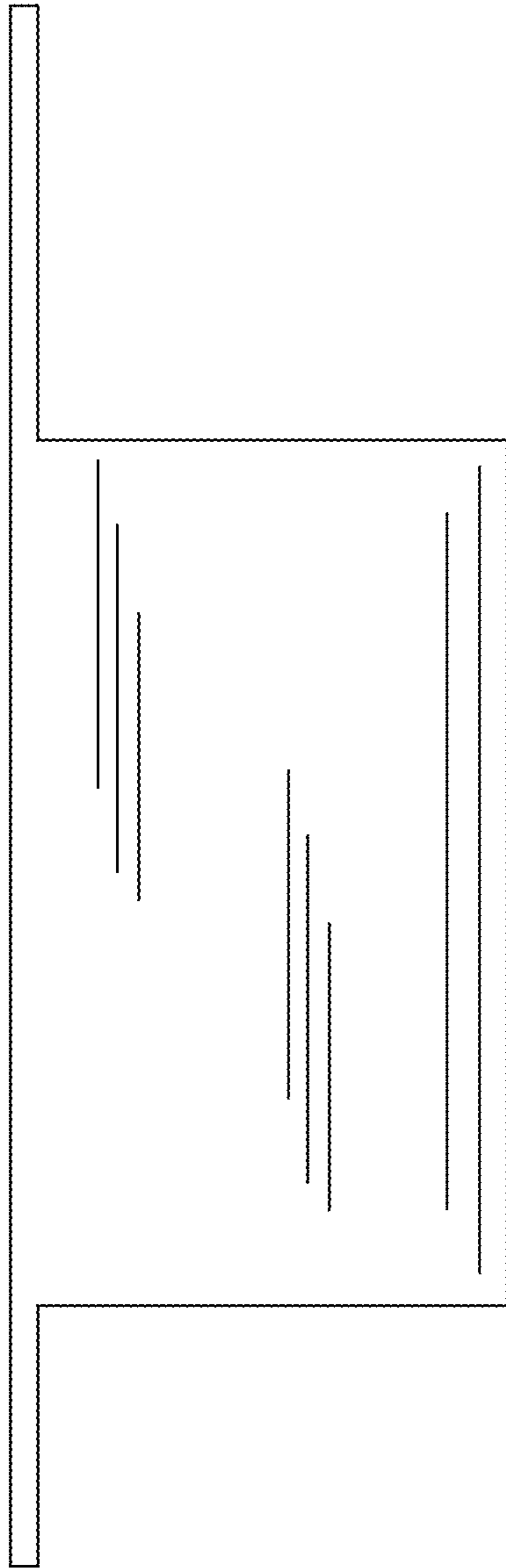


Fig. 3

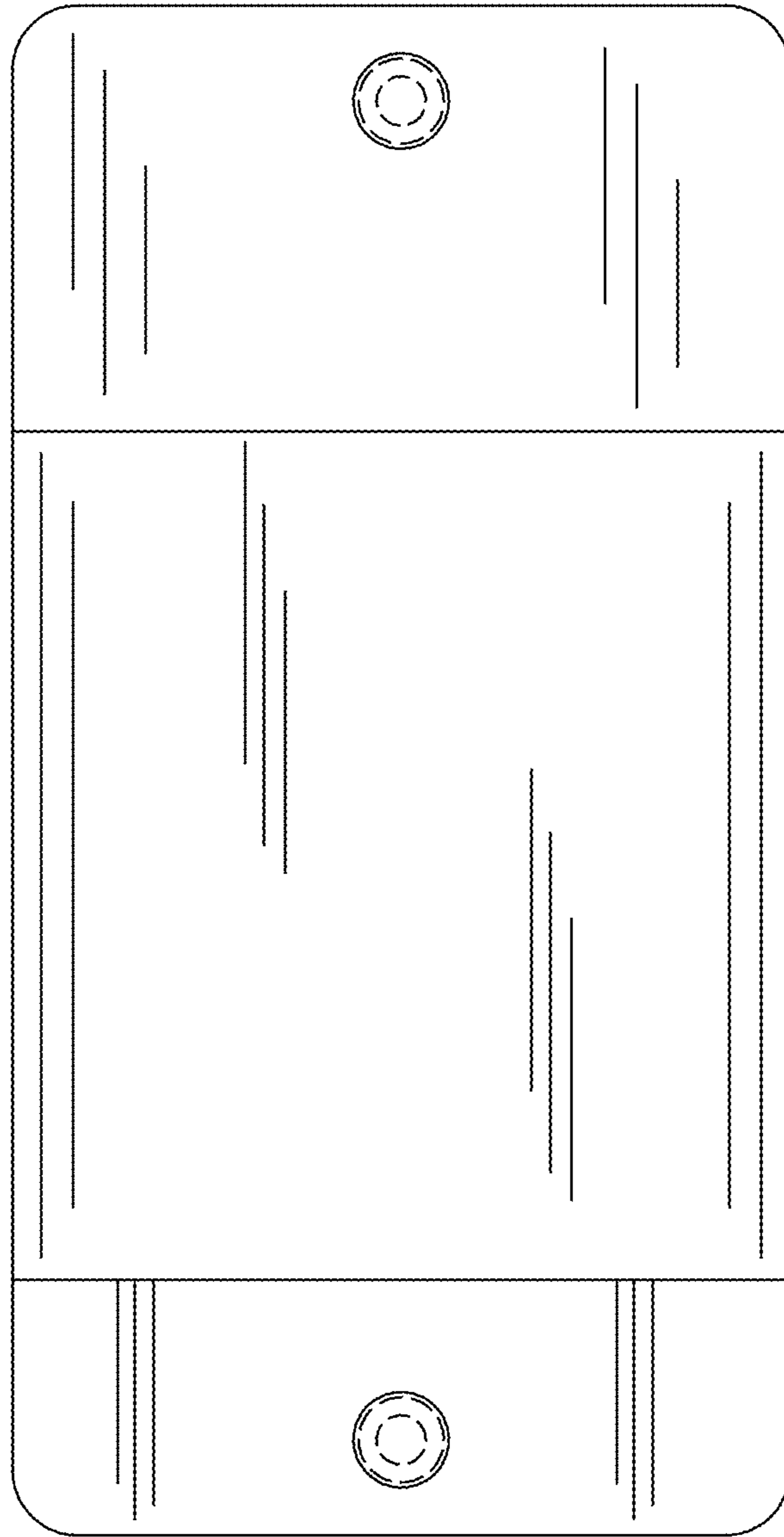


Fig. 4

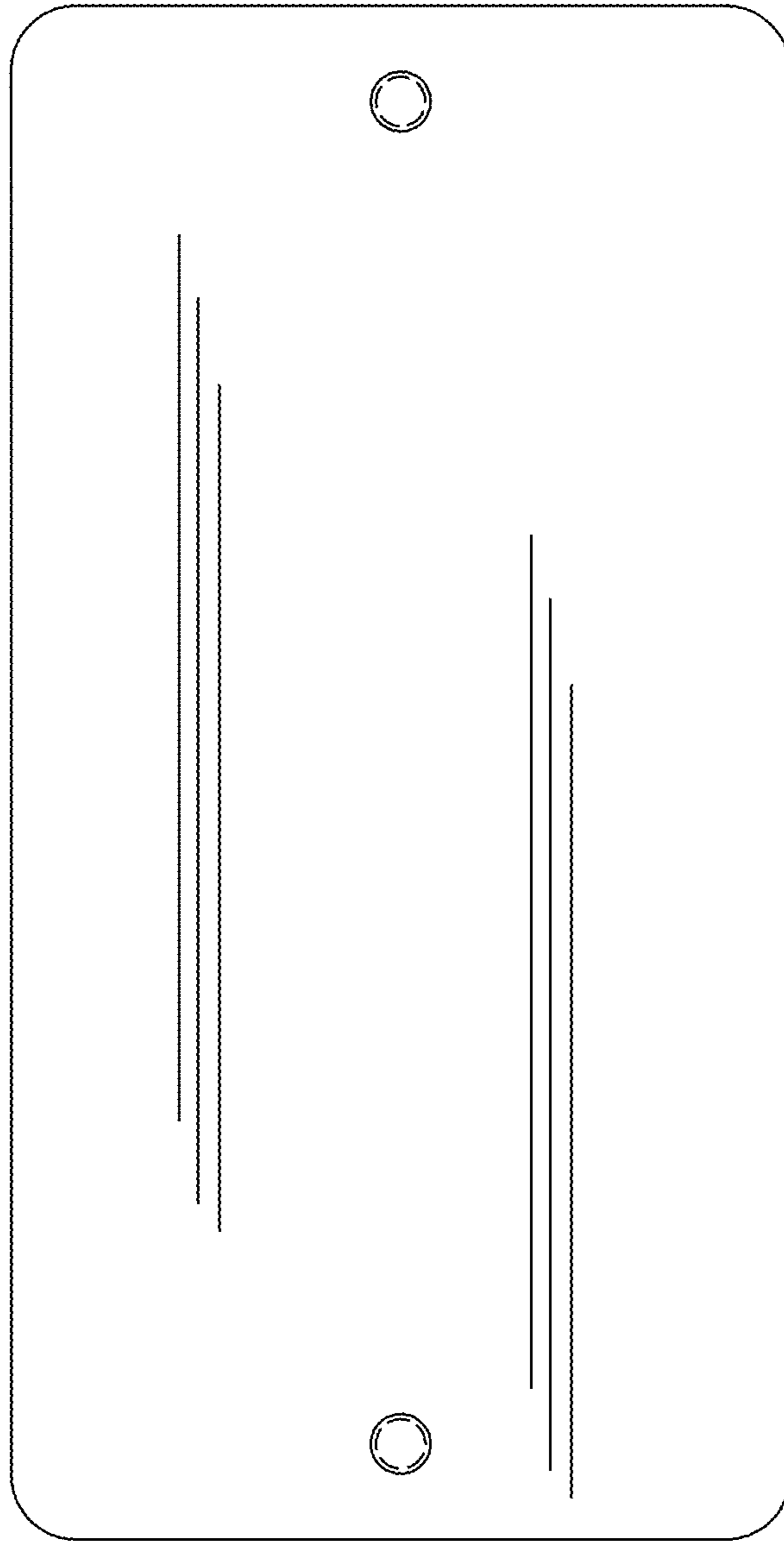


Fig. 5

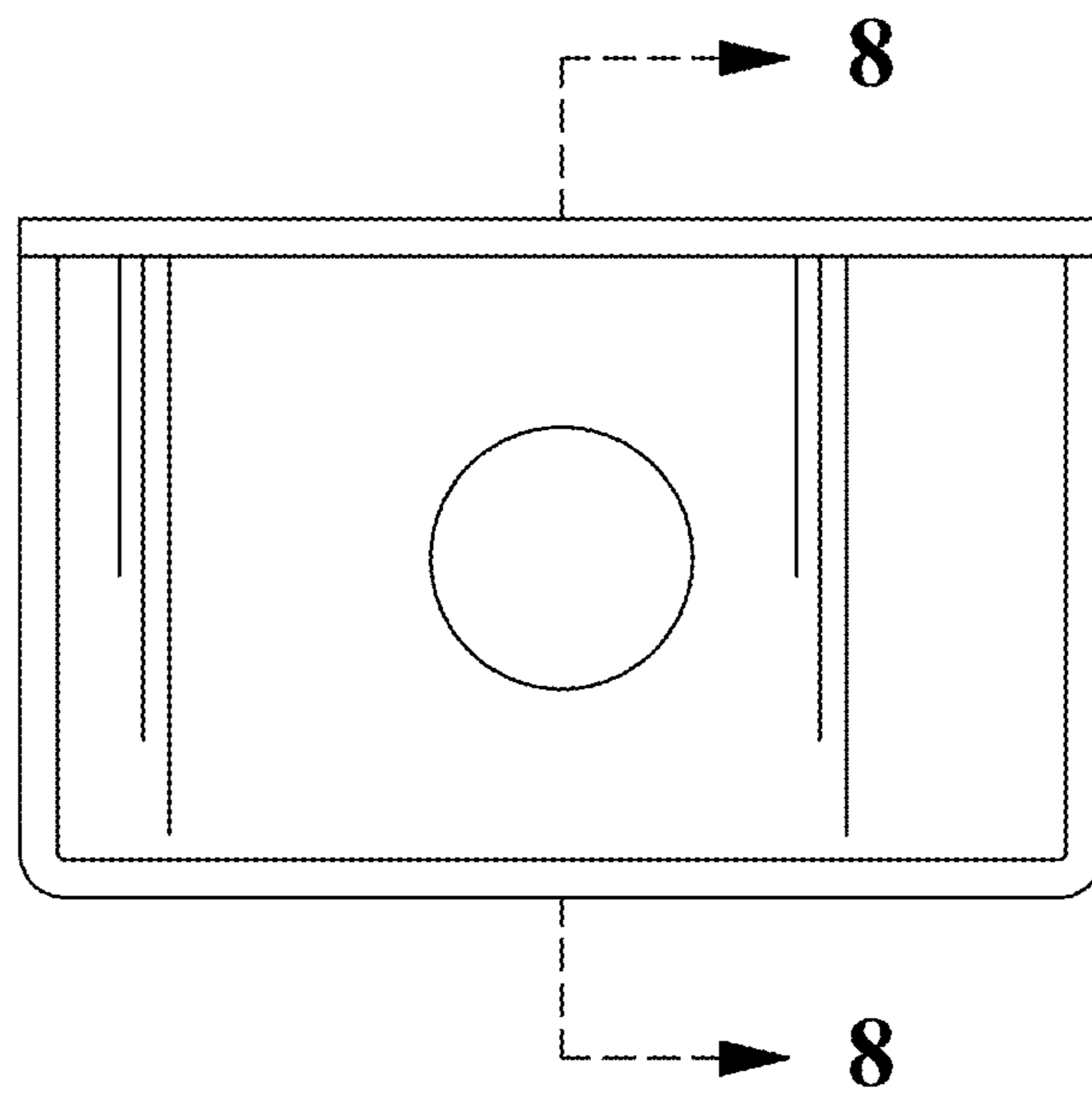


Fig. 6

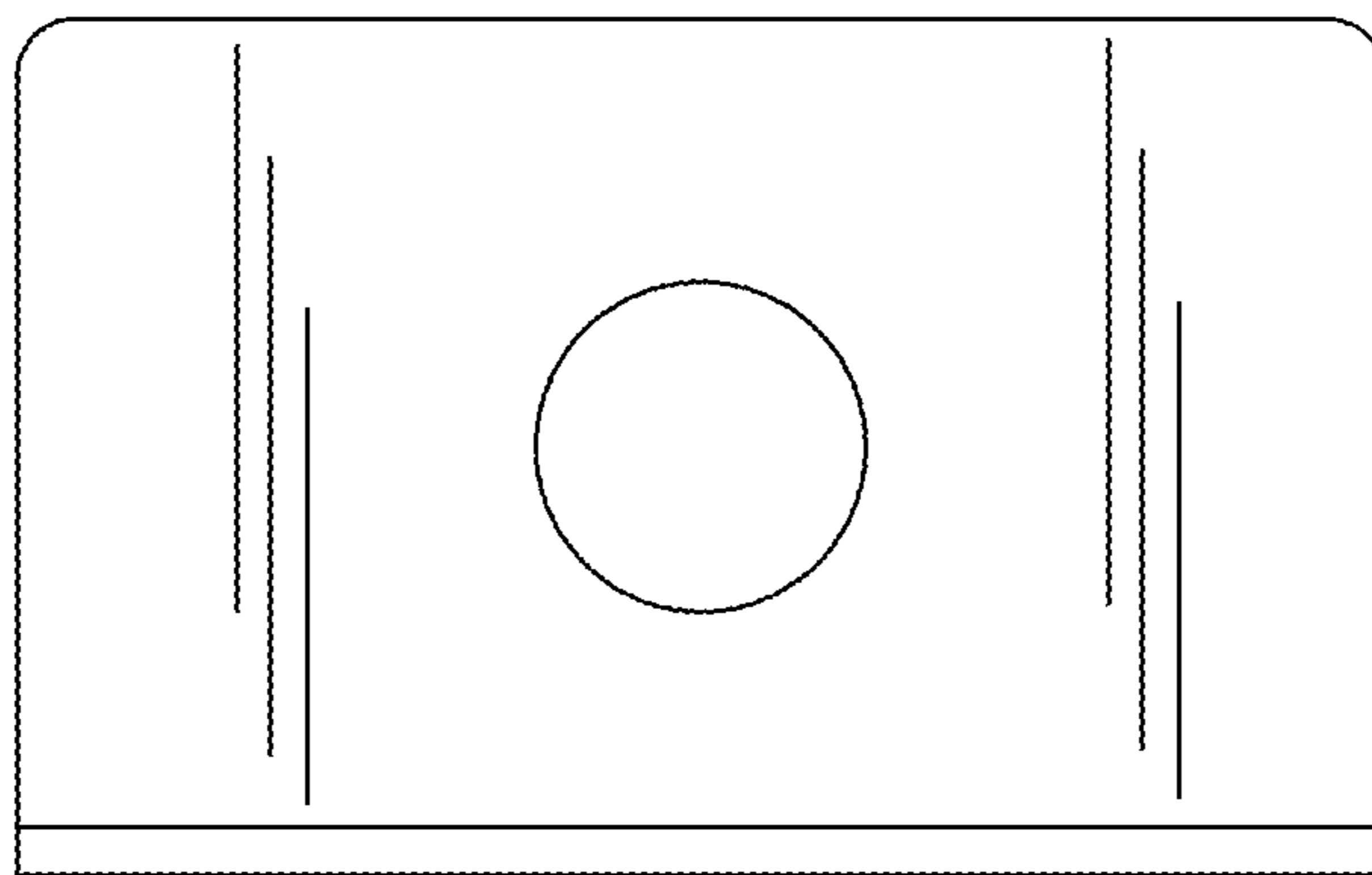


Fig. 7

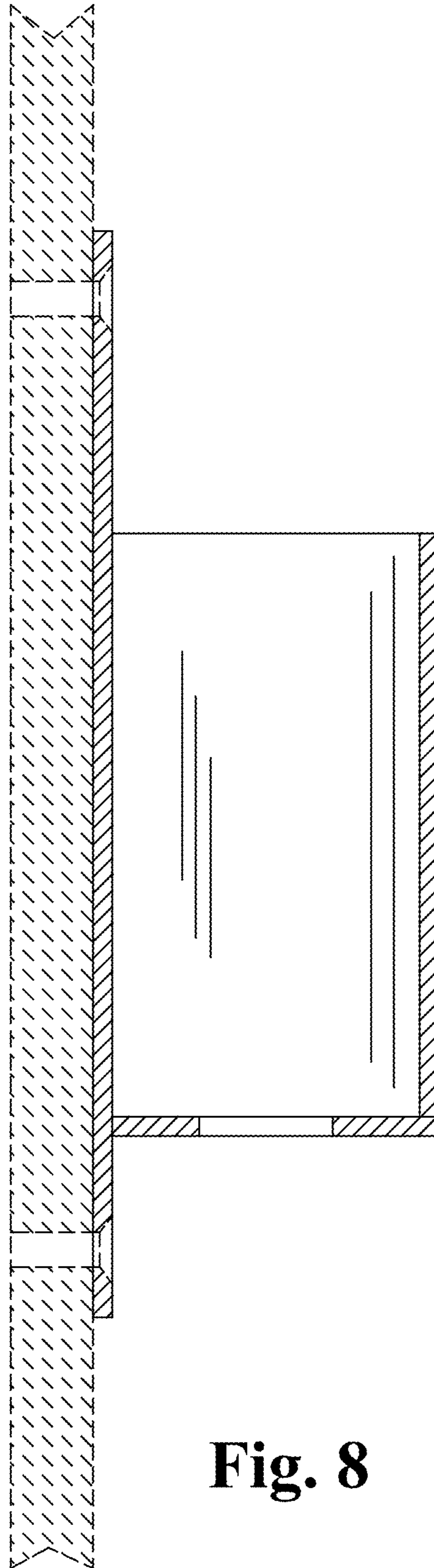


Fig. 8

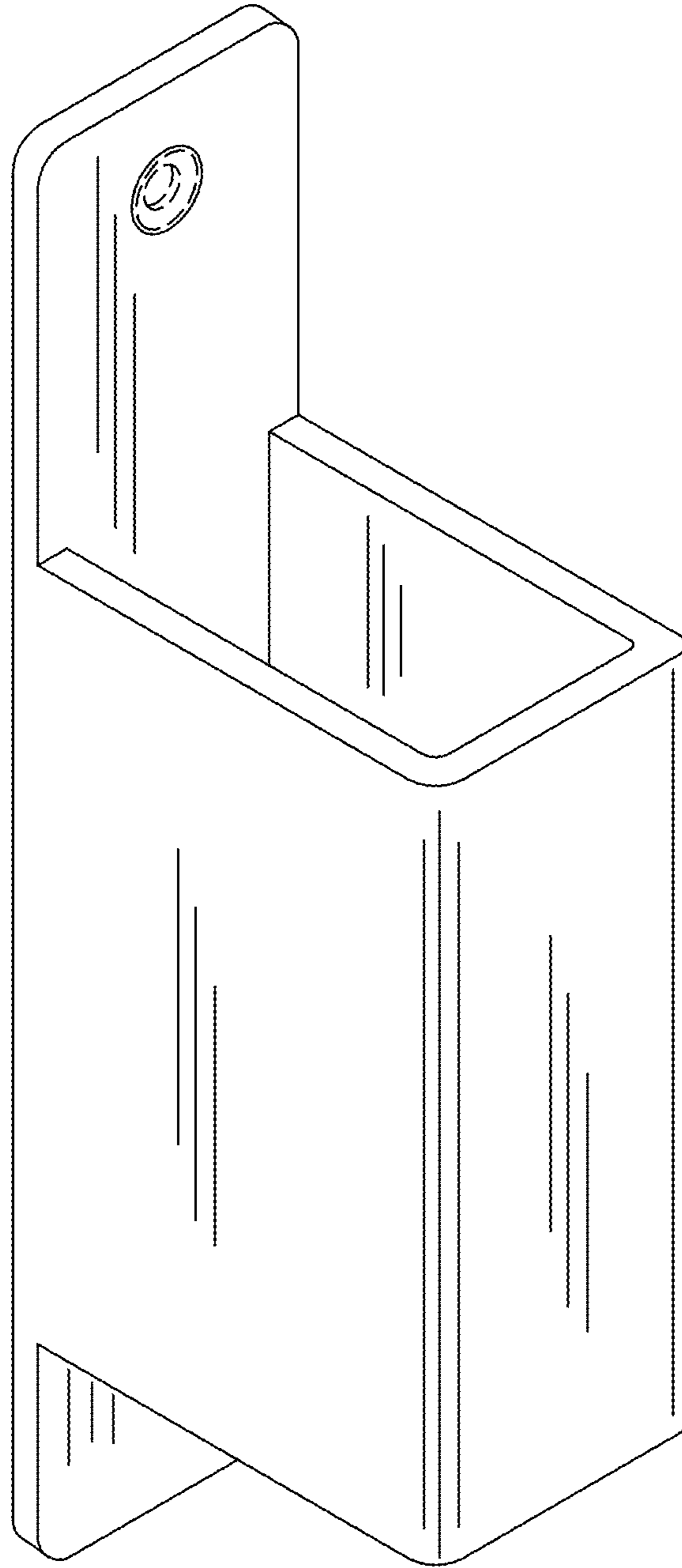


Fig. 9

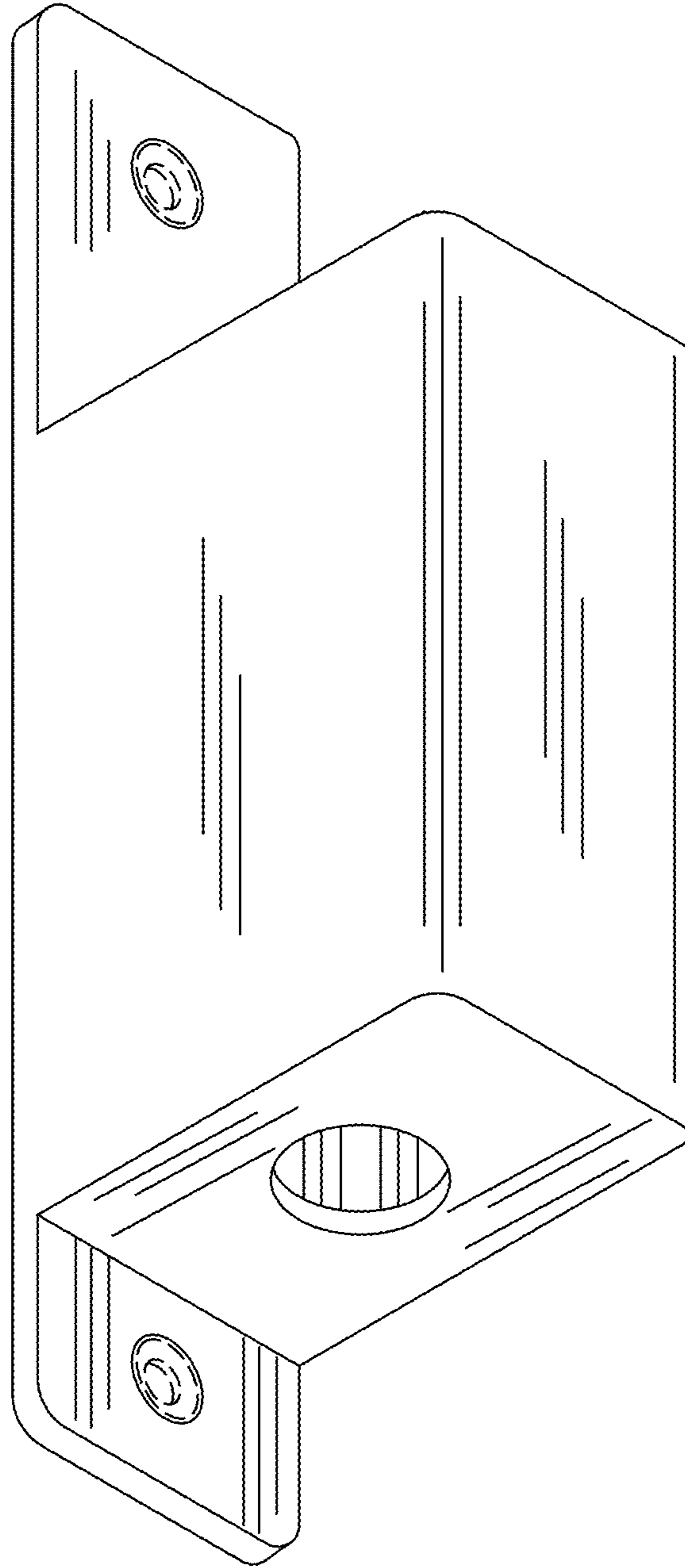


Fig. 10

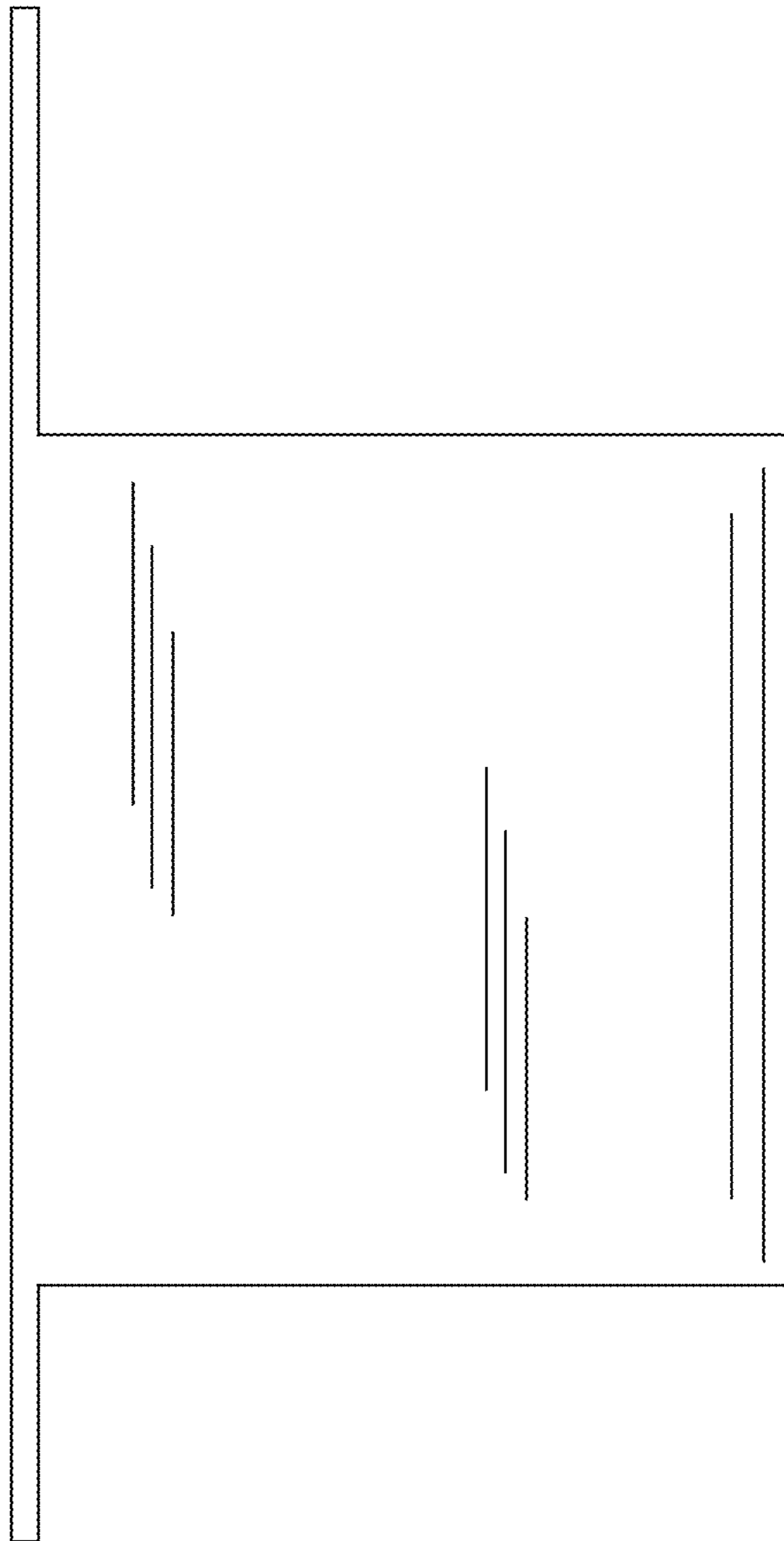


Fig. 11

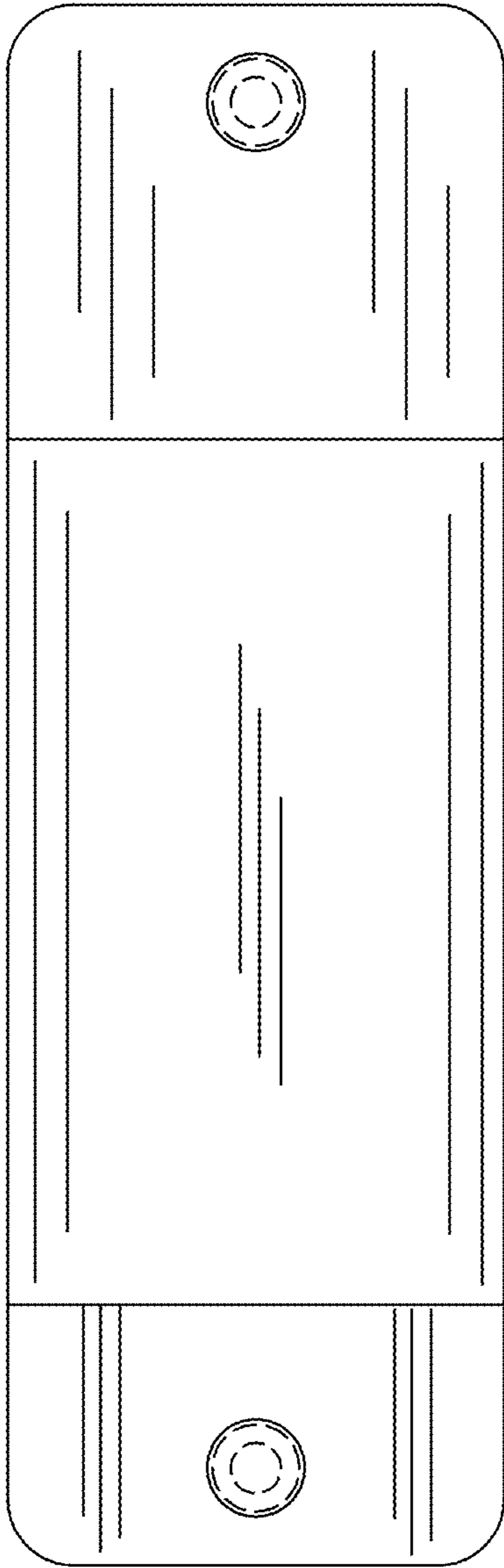


Fig. 12

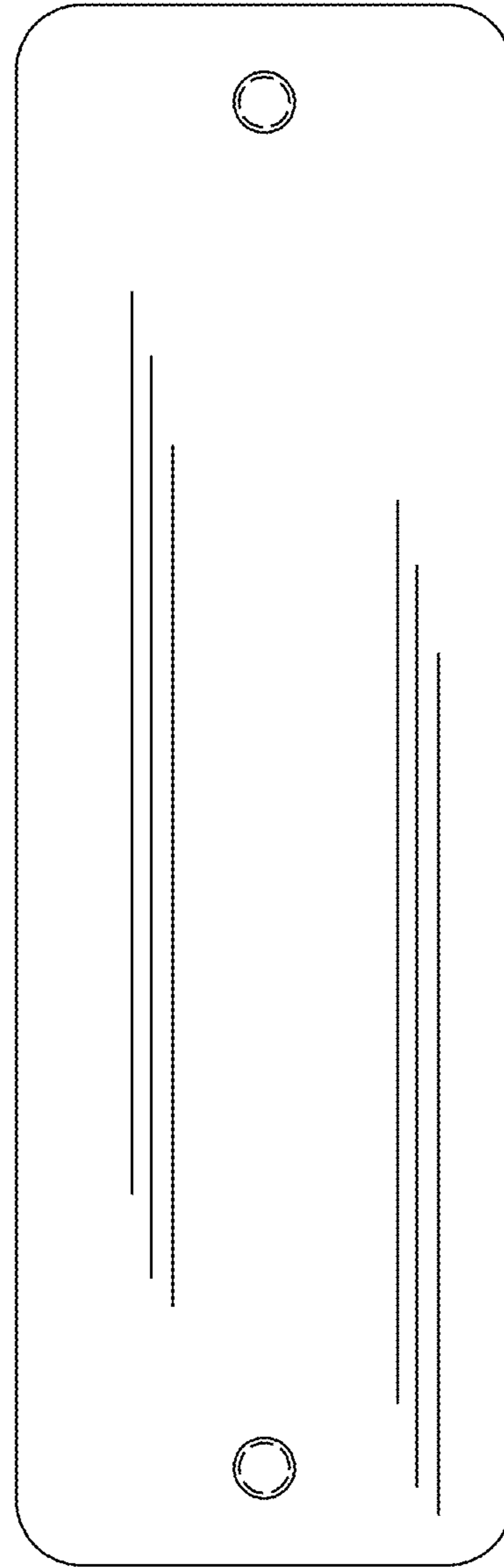


Fig. 13

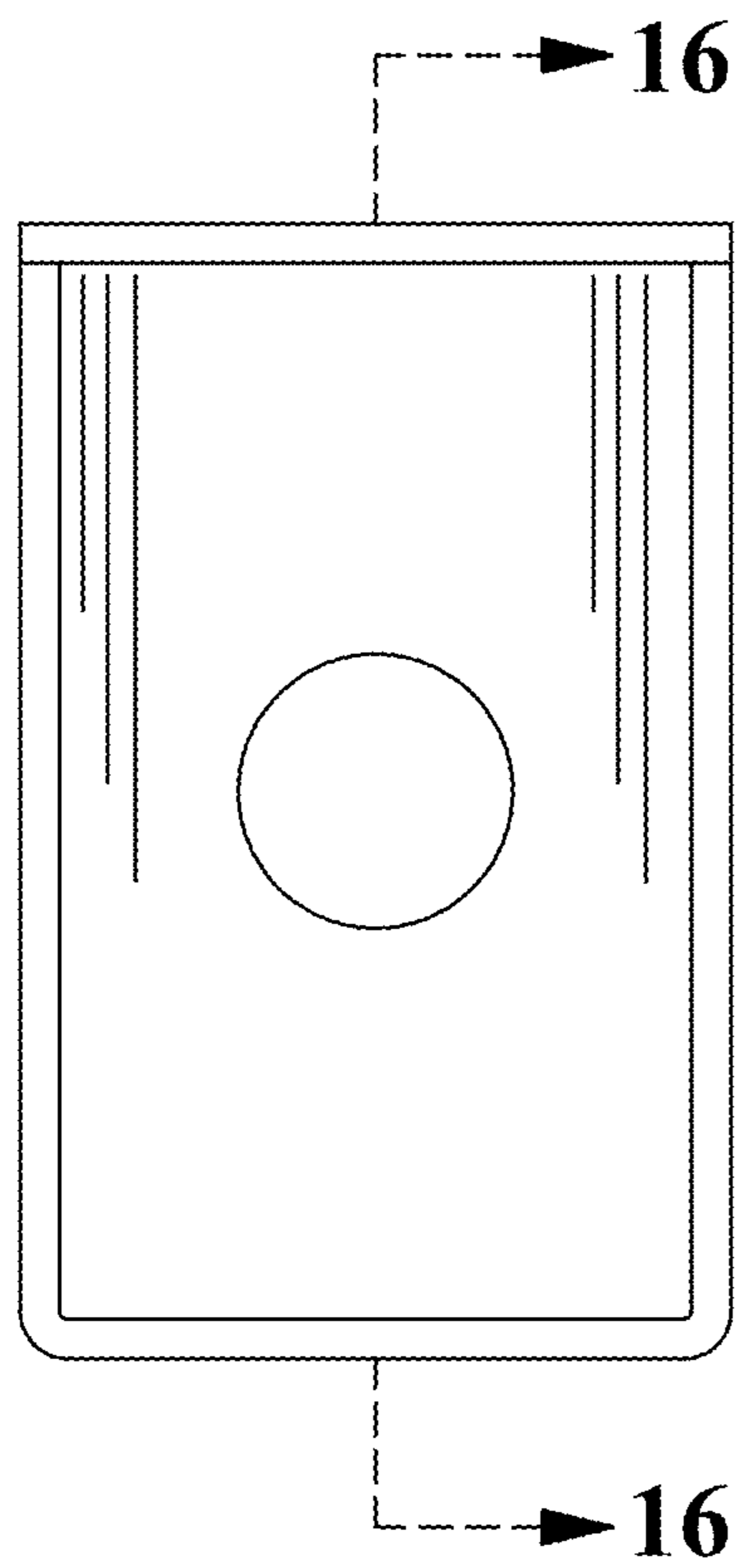


Fig. 14

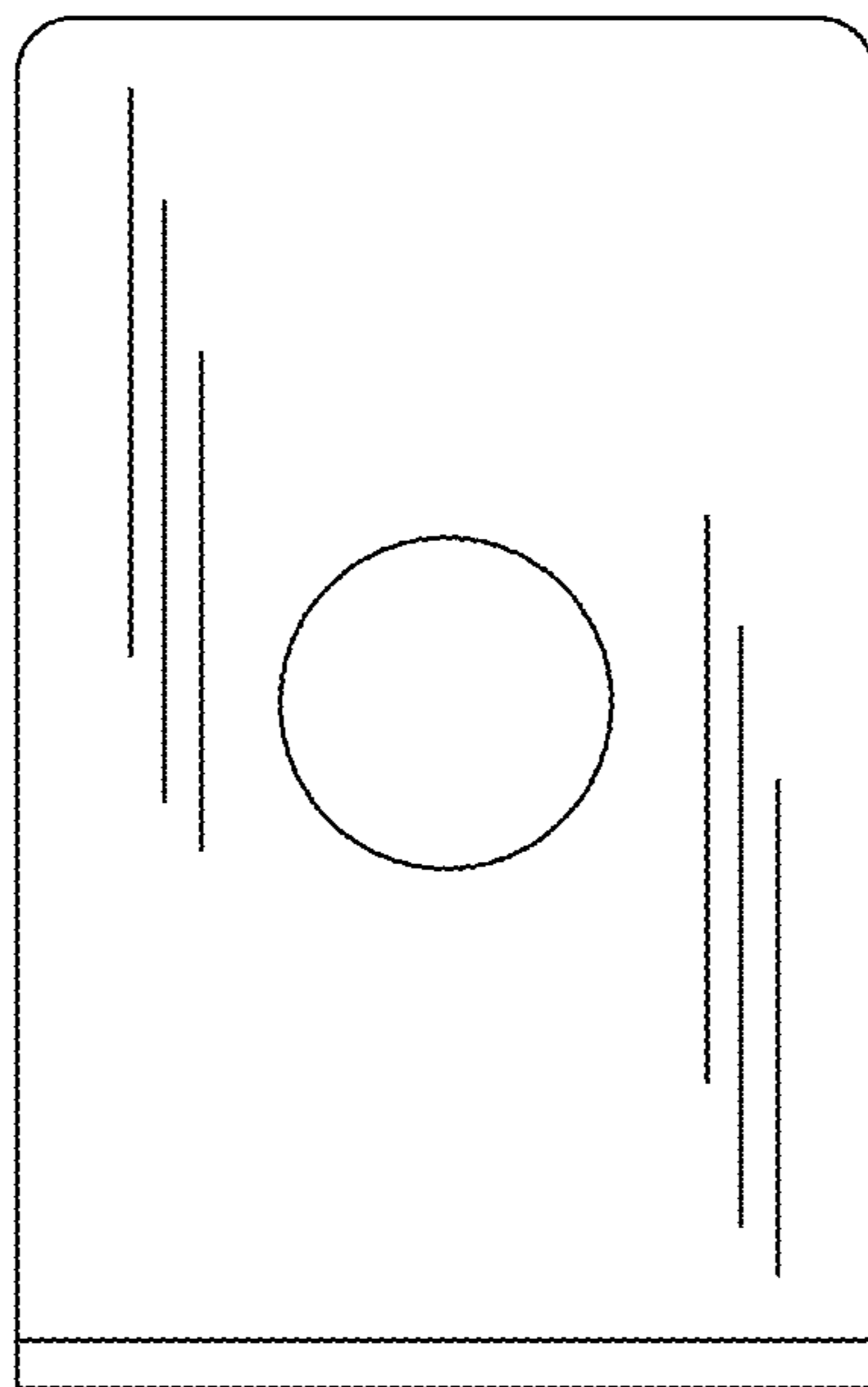


Fig. 15

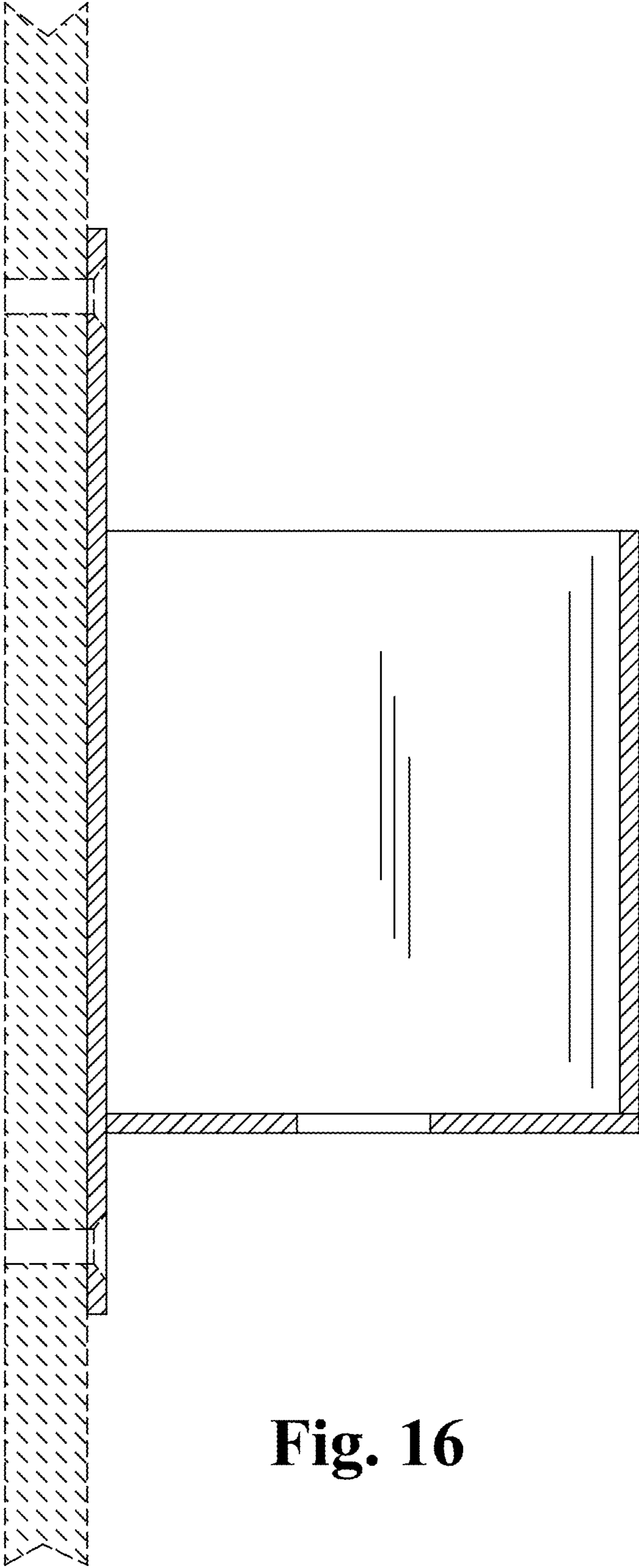


Fig. 16