



US00D938801S

(12) **United States Design Patent** (10) **Patent No.:** **US D938,801 S**
Axelsson (45) **Date of Patent:** **** Dec. 21, 2021**

(54) **FOLDABLE LOCKING DEVICE**
(71) Applicant: **AXELENT AB**, Hillerstorp (SE)
(72) Inventor: **Johan Axelsson**, Hillerstorp (SE)
(73) Assignee: **AXELENT AB**, Hillerstorp (SE)
(**) Term: **15 Years**

7,481,084 B1 * 1/2009 Wu E05B 67/003
70/18
9,878,752 B2 * 1/2018 Schaufeld E05B 67/28
10,233,674 B2 * 3/2019 Buseman E05B 71/00
* cited by examiner

(21) Appl. No.: **29/733,525**
(22) Filed: **May 4, 2020**

Primary Examiner — Doris Clark
(74) *Attorney, Agent, or Firm* — Faegre Drinker Biddle & Reath LLP

(30) **Foreign Application Priority Data**

Nov. 5, 2019 (EM) 007184734

(51) **LOC (13) Cl.** **08-07**

(52) **U.S. Cl.**
USPC **D8/333**

(58) **Field of Classification Search**
USPC D8/333, 356
CPC E05B 65/466; E05B 65/0067; E05B
73/0082; E05B 73/0029; E05B 67/003;
E05B 67/006; Y10T 292/087; Y10T
292/0872; Y10T 292/17
See application file for complete search history.

(56) **References Cited**

U.S. PATENT DOCUMENTS

D272,042 S * 1/1984 Muench D8/356
5,076,531 A * 12/1991 Delaney B60R 11/06
248/552
D347,988 S * 6/1994 Thorne D8/333
D442,465 S * 5/2001 Johns D8/336

(57) **CLAIM**

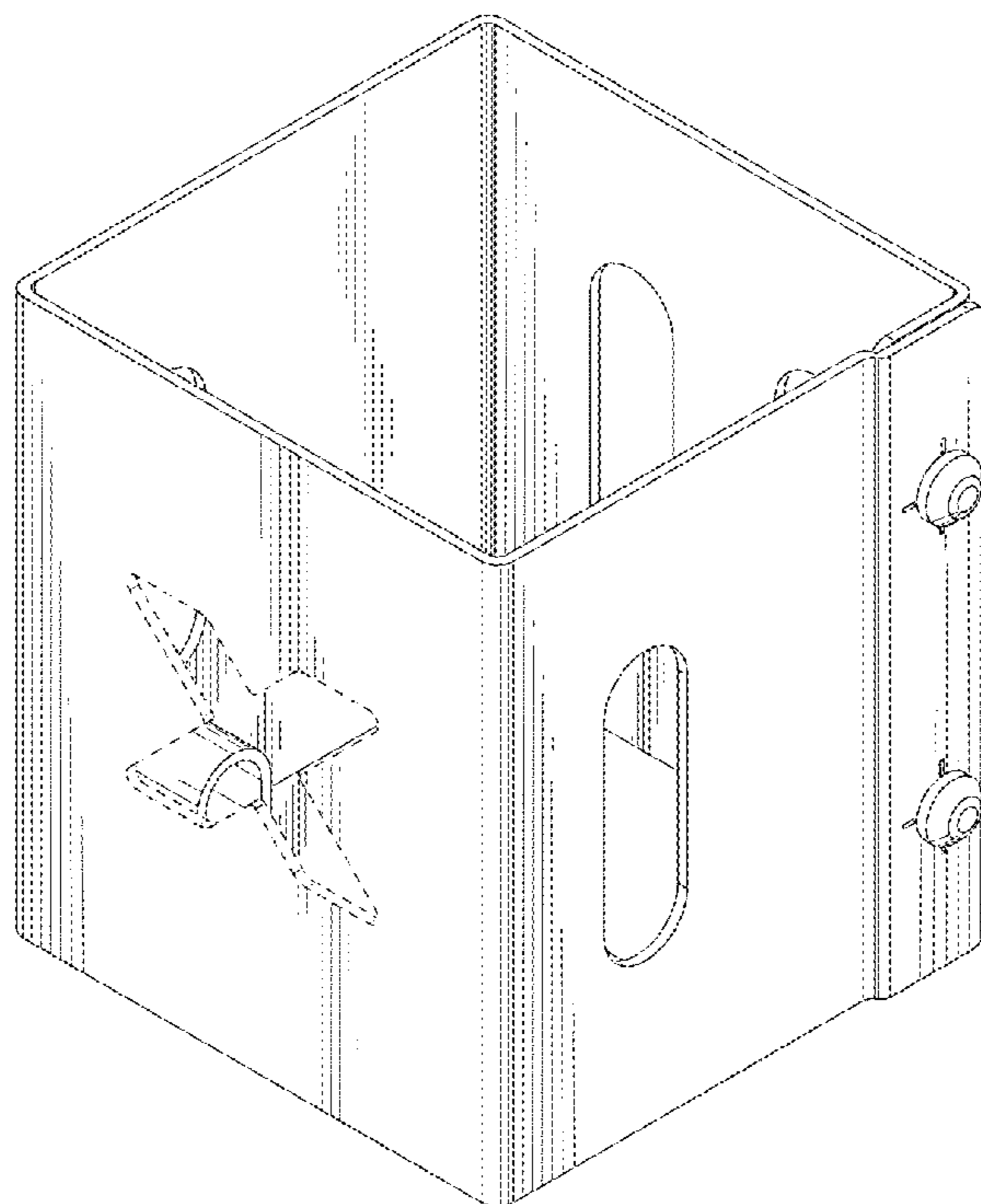
The ornamental design for a foldable locking device, as shown and described.

DESCRIPTION

FIG. 1 is a front perspective view of a foldable locking device showing my new design in a folded configuration; FIG. 2 is a right side view thereof; FIG. 3 is a front view thereof; FIG. 4 is a left side view thereof; FIG. 5 is a rear view thereof; FIG. 6 is a top view thereof; FIG. 7 is a bottom view thereof; FIG. 8 is a front perspective view of the foldable locking device of FIG. 1 in an unfolded configuration; FIG. 9 is a front view thereof; FIG. 10 is a rear perspective view thereof; FIG. 11 is a rear view thereof; FIG. 12 is a bottom view thereof; FIG. 13 is a right side view thereof; FIG. 14 is a left side view thereof; and, FIG. 15 is a top view thereof.

Broken lines illustrate features of the foldable locking device that form no part of the claimed design.

1 Claim, 7 Drawing Sheets



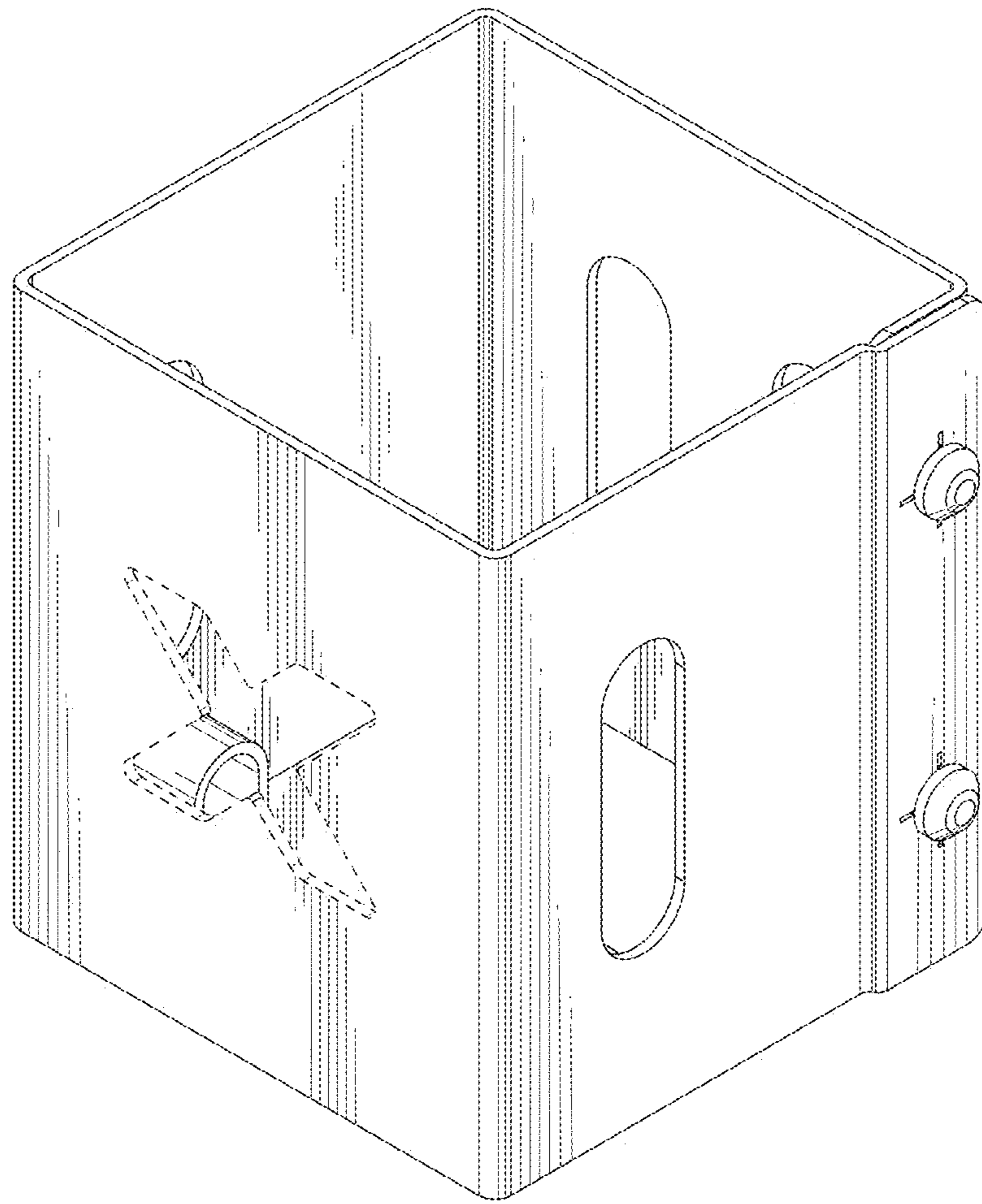


Fig. 1

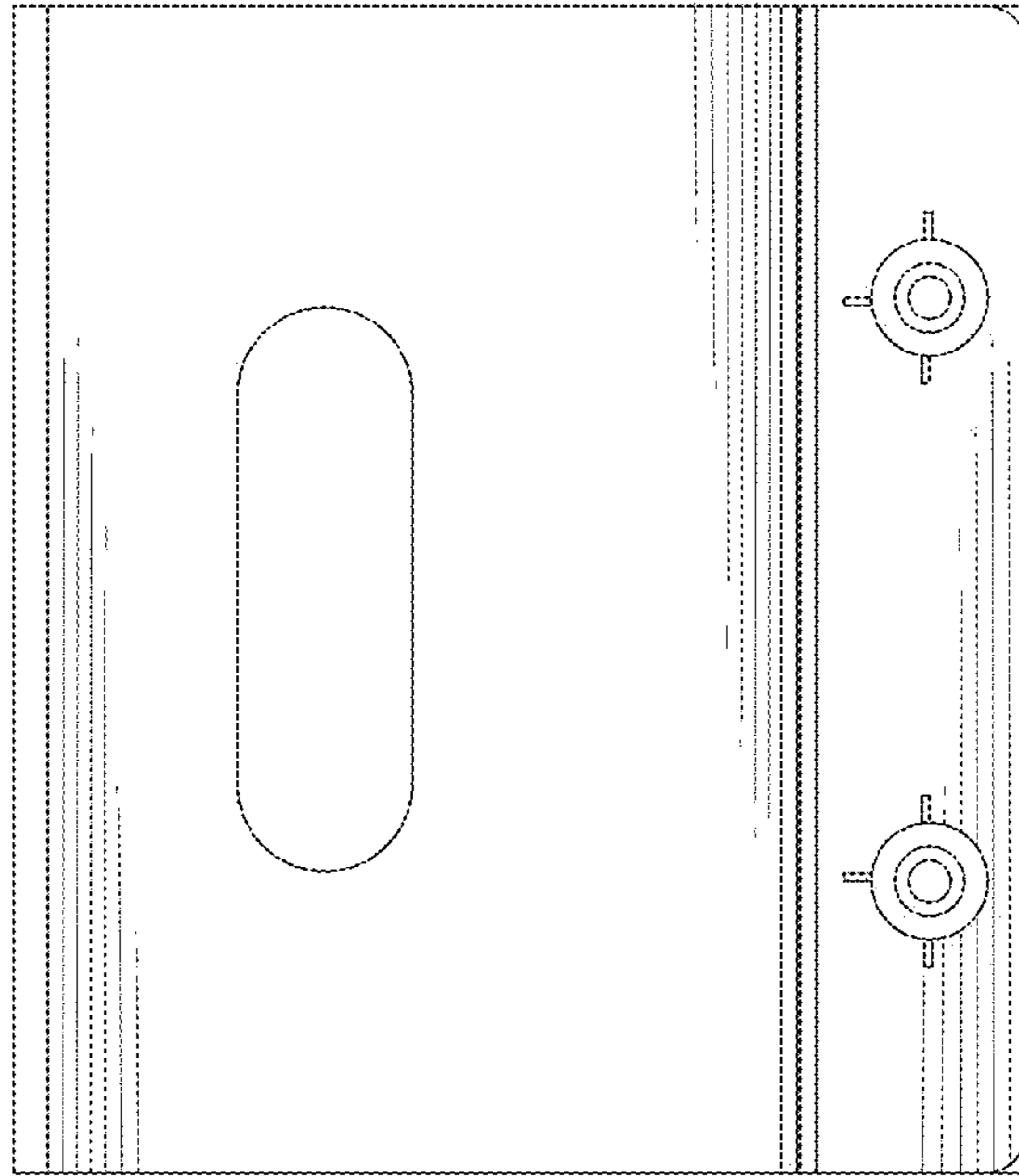


Fig. 2

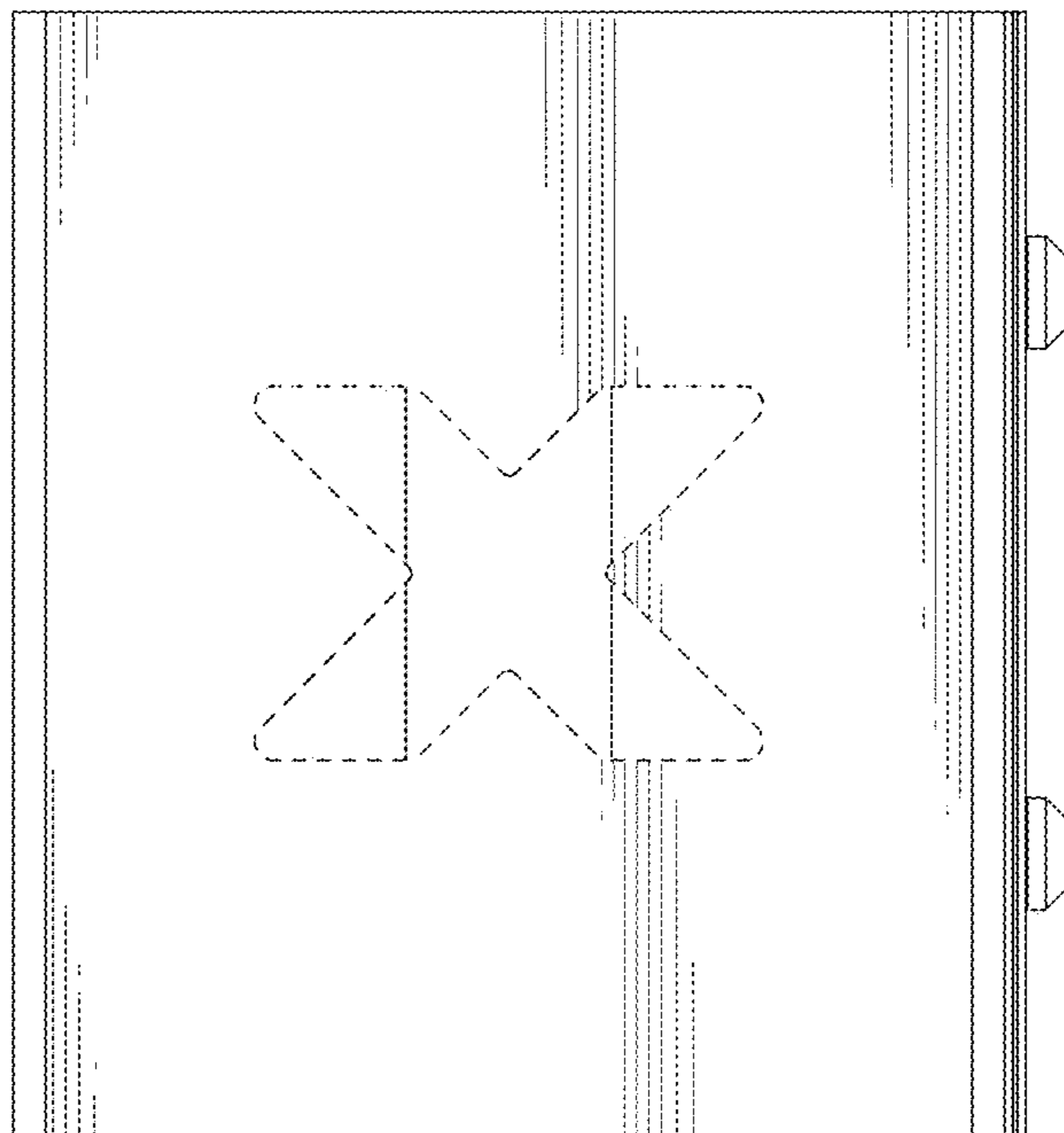


Fig. 3

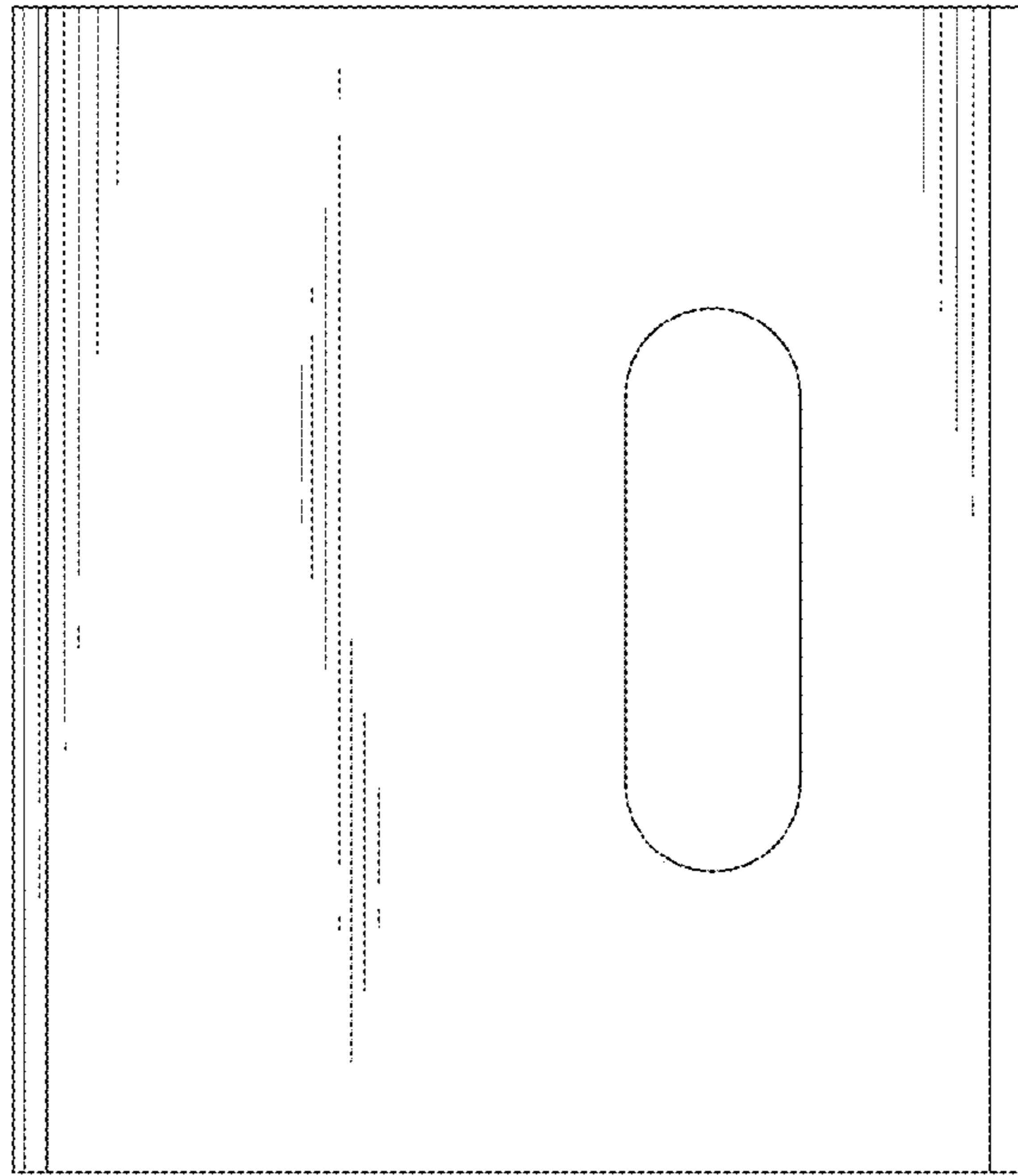


Fig. 4

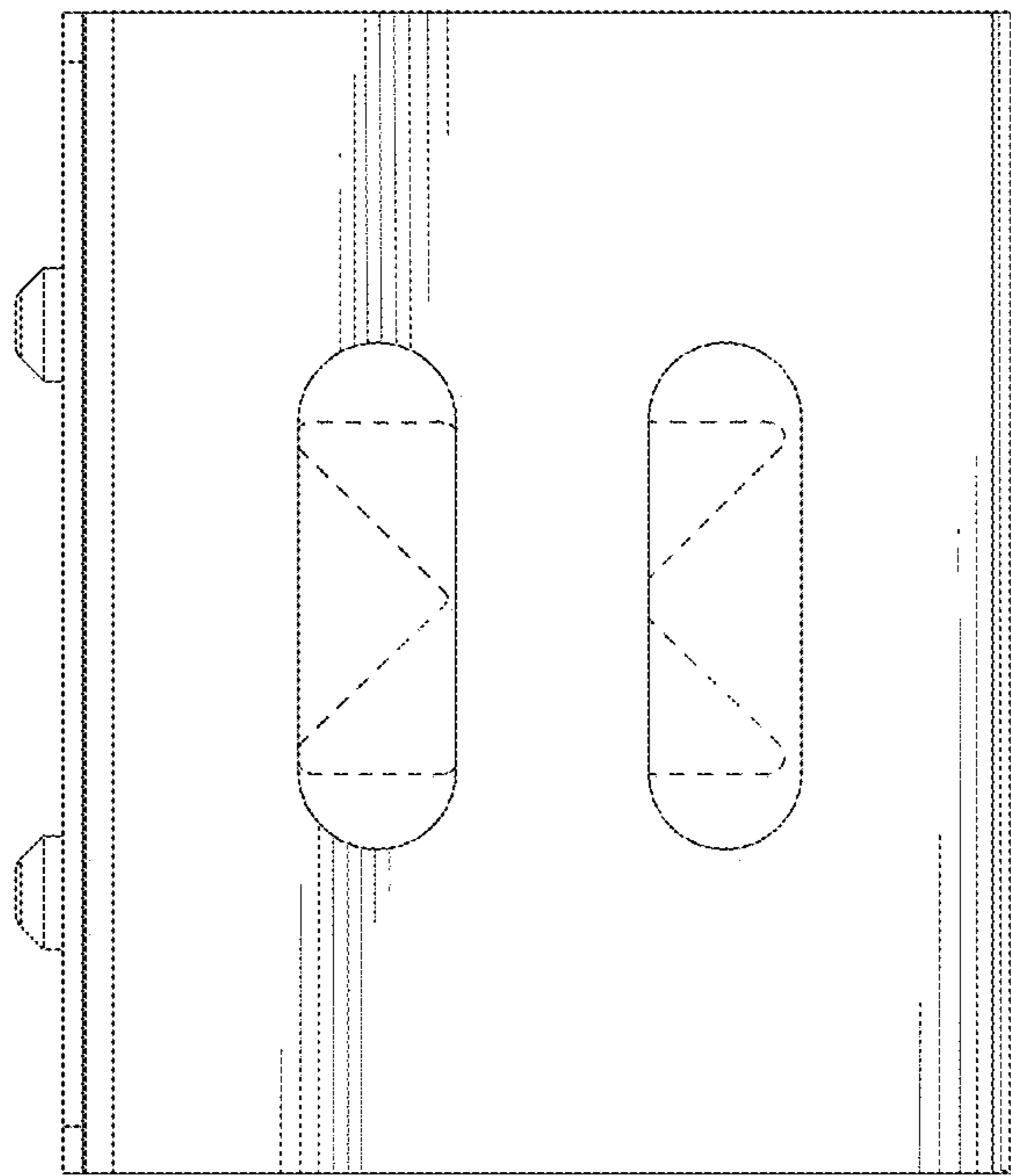


Fig. 5

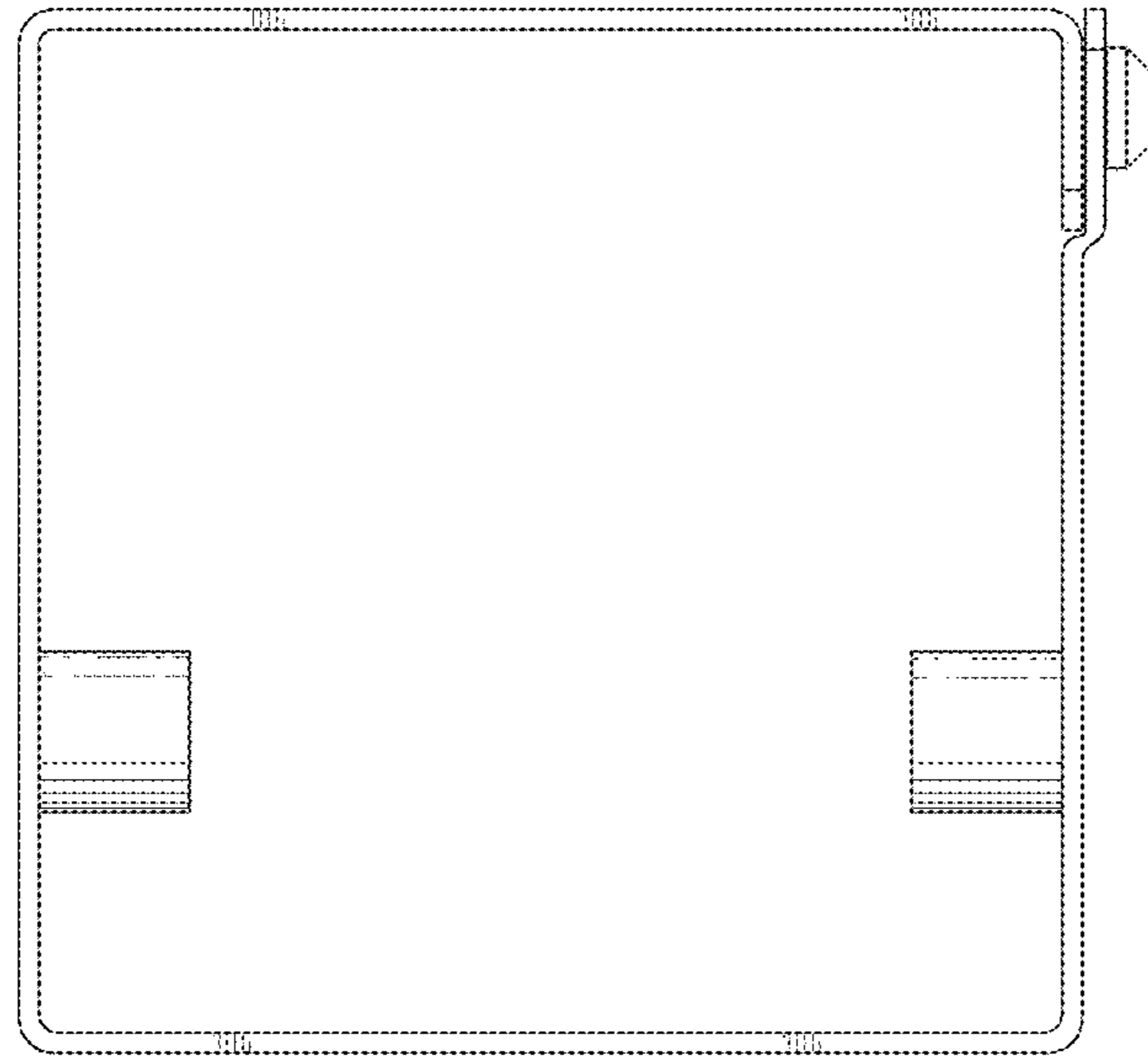


Fig. 6

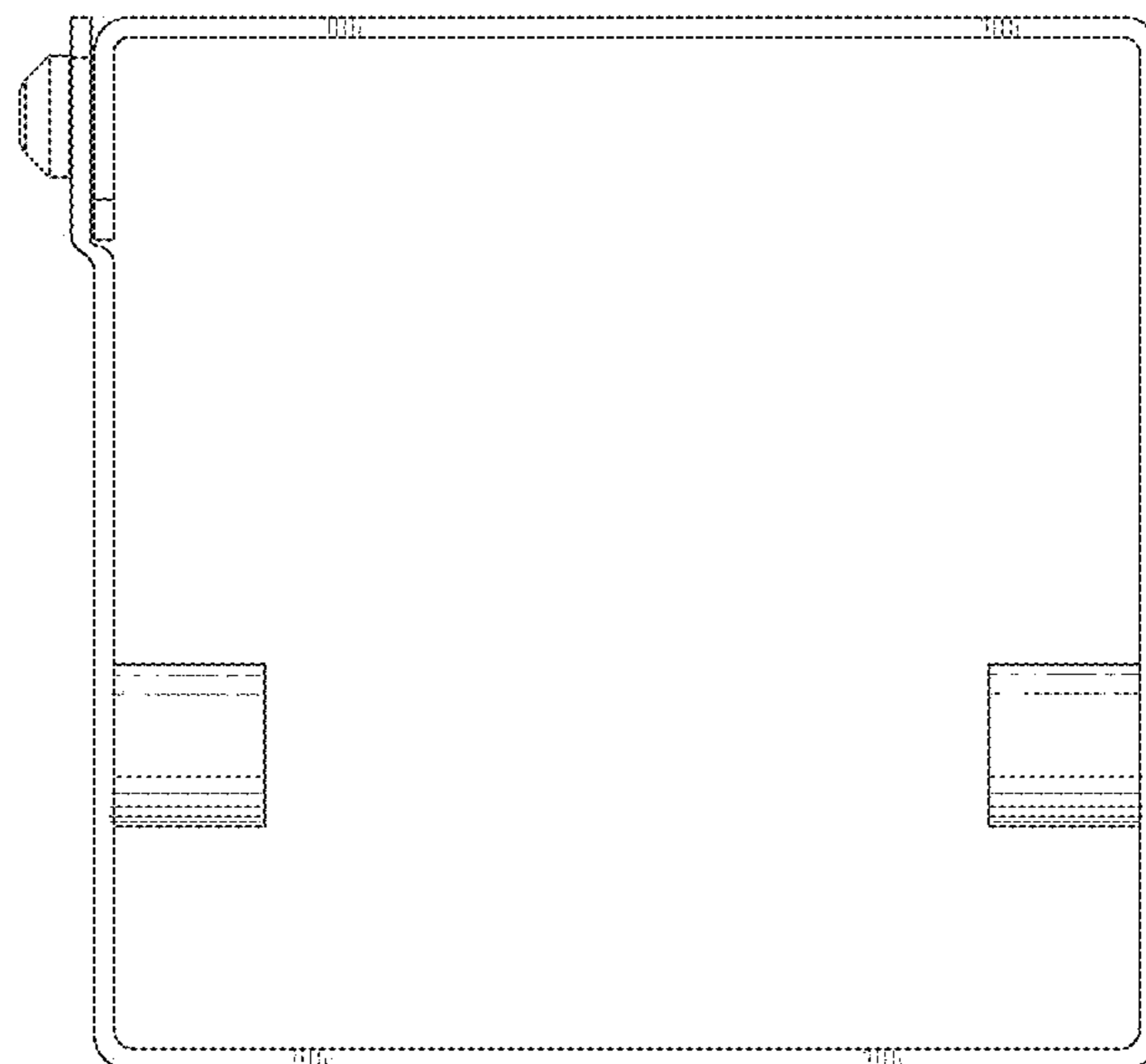


Fig. 7

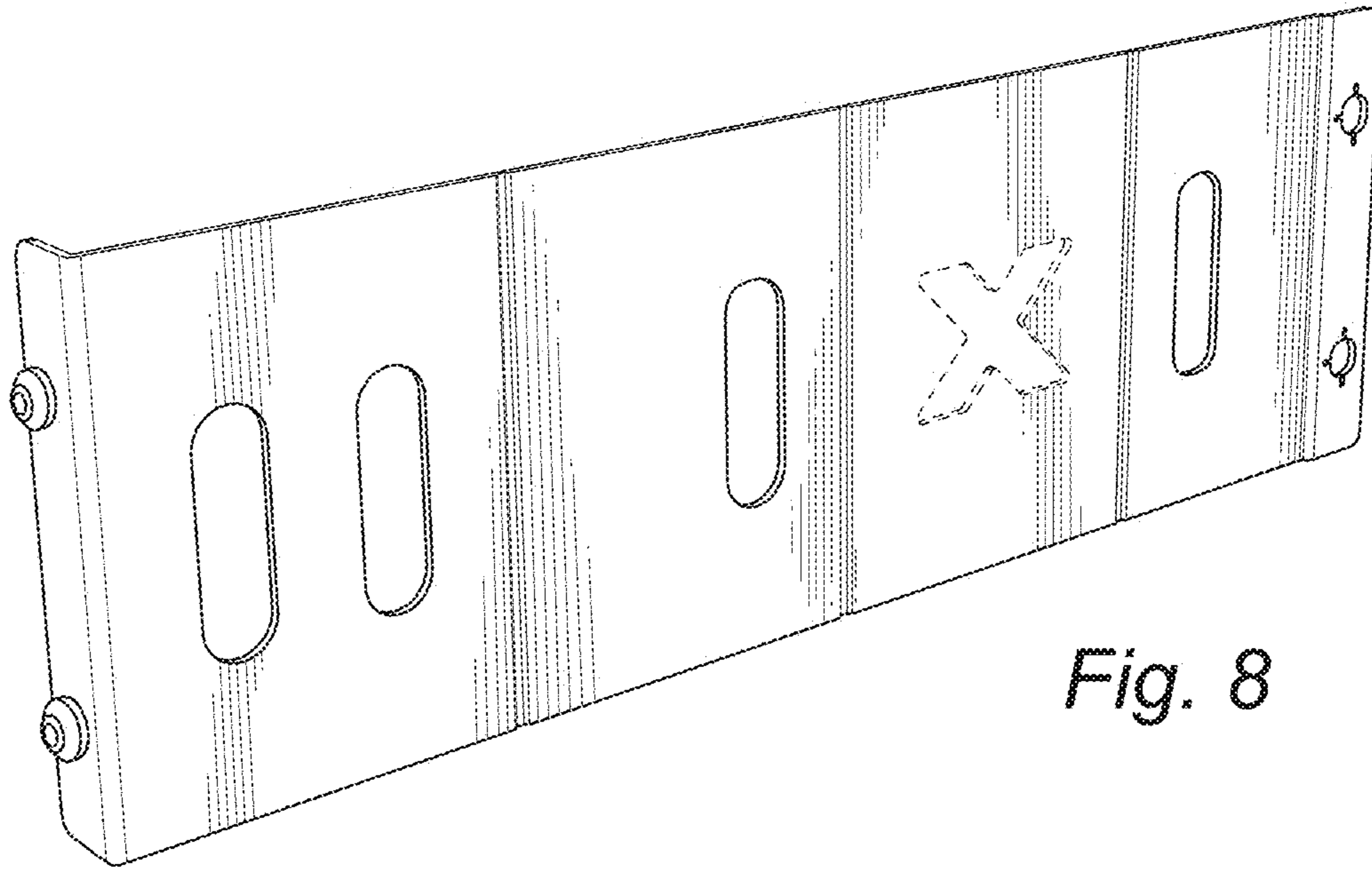


Fig. 8

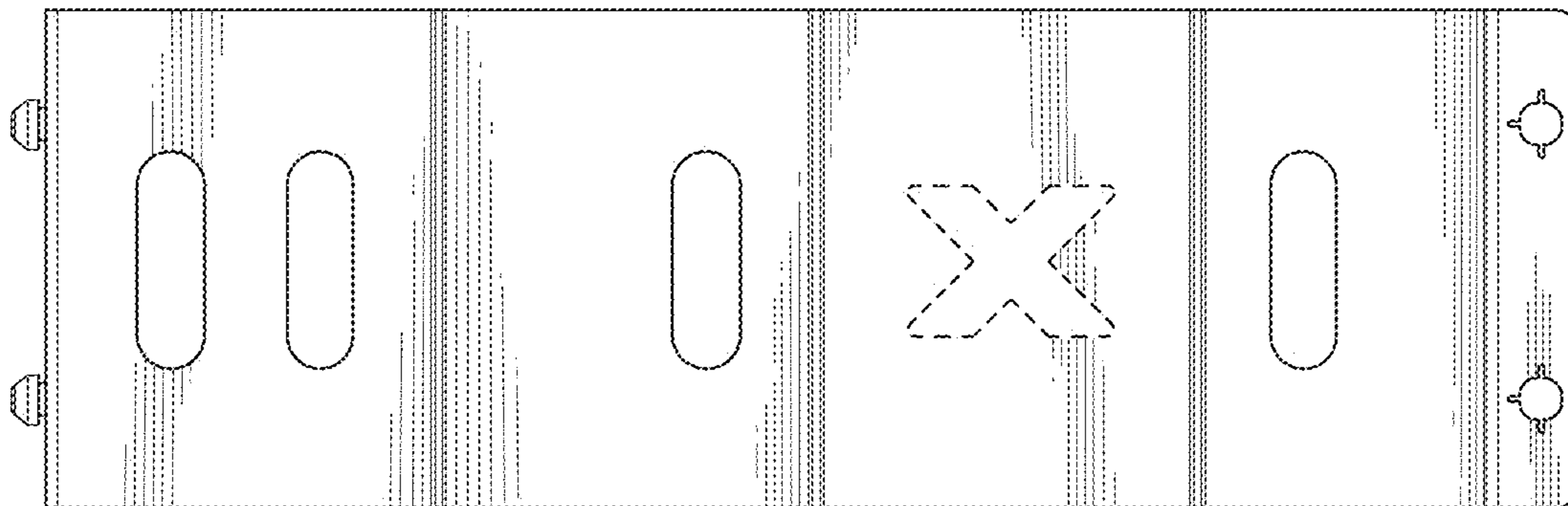


Fig. 9

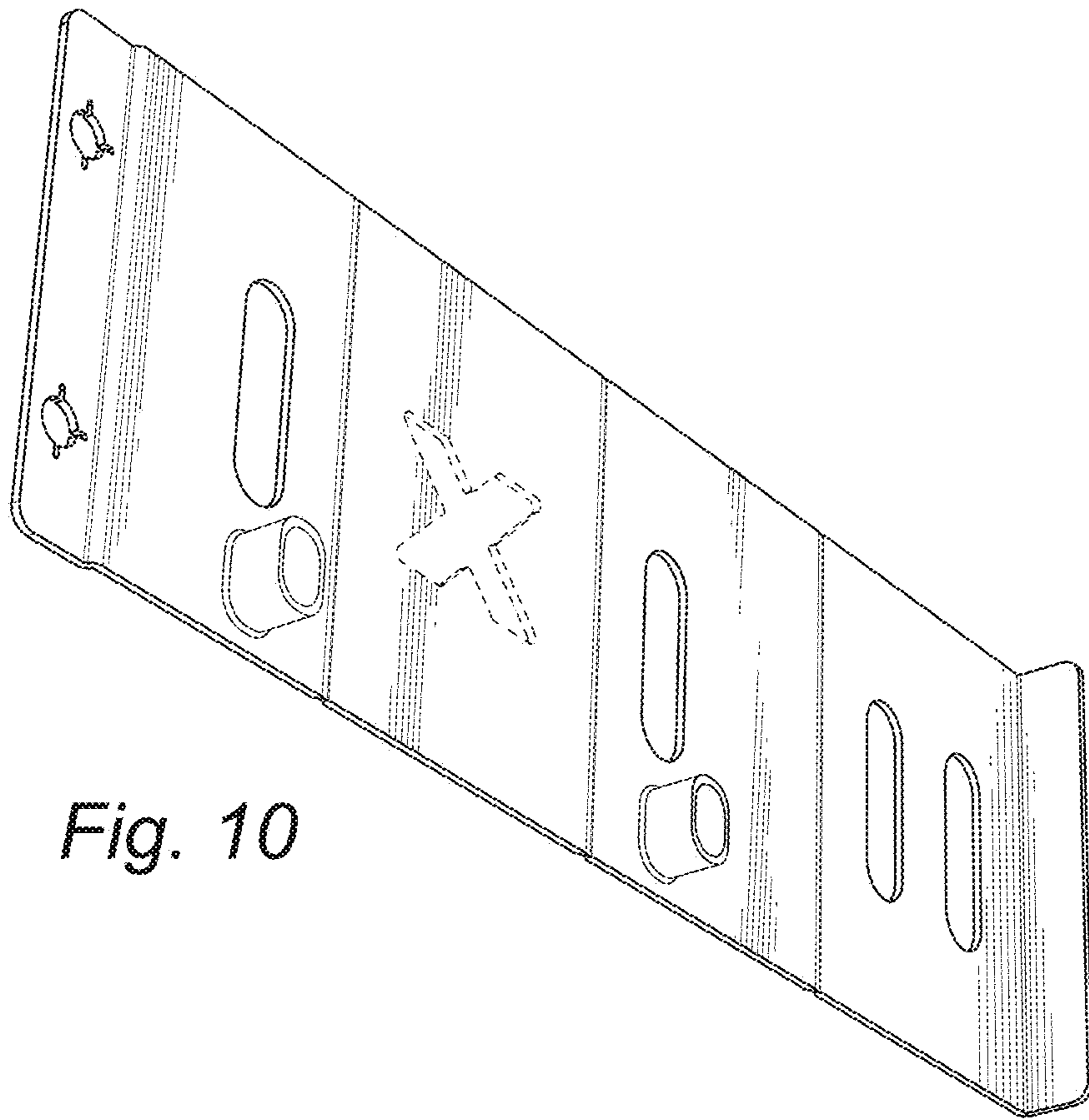


Fig. 10

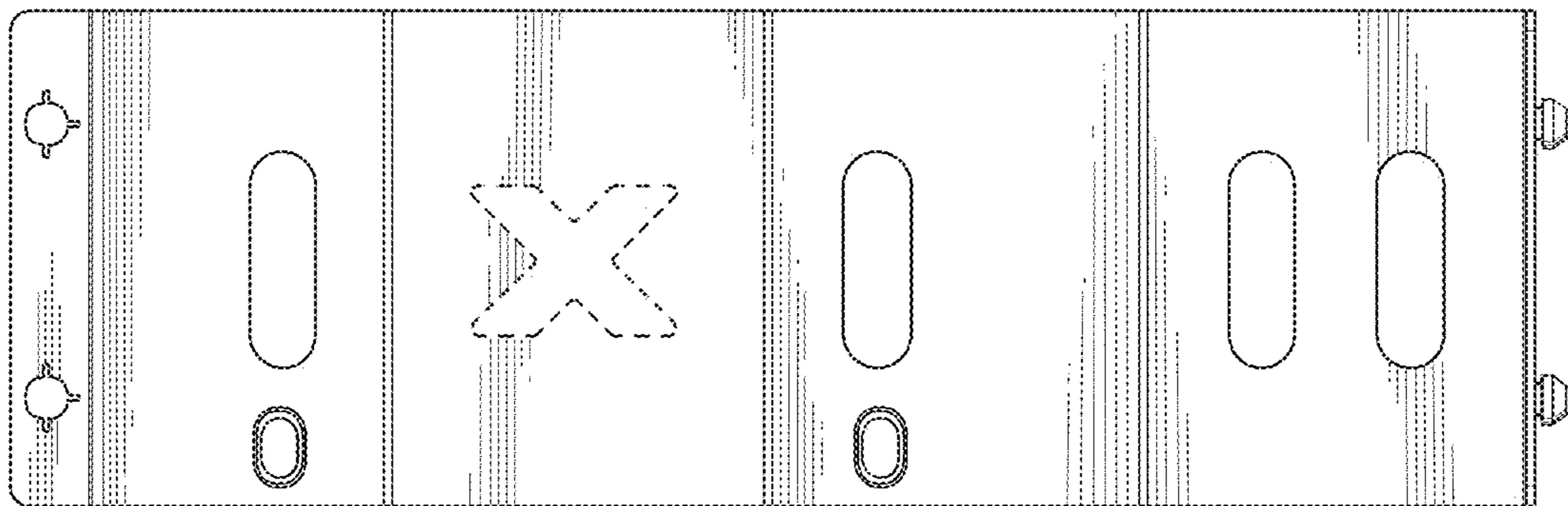


Fig. 11

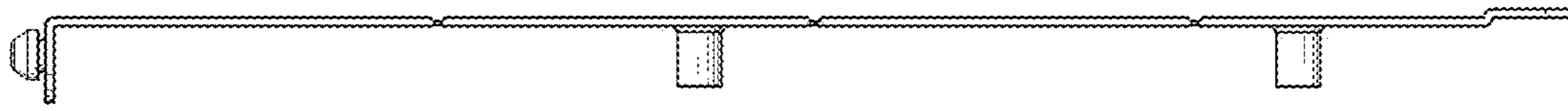


Fig. 12



Fig. 13

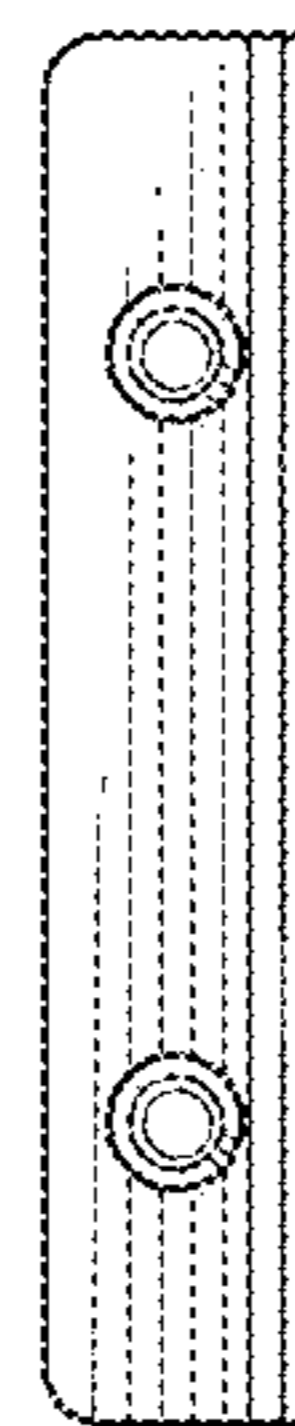


Fig. 14



Fig. 15