



US00D938800S

(12) **United States Design Patent**
Bamford

(10) **Patent No.:** **US D938,800 S**

(45) **Date of Patent:** **** Dec. 21, 2021**

(54) **LATCH**

(71) Applicant: **Automatic Coating Limited**, Toronto (CA)

(72) Inventor: **Brad Bamford**, Scarborough (CA)

(73) Assignee: **Automatic Coating Limited**, Toronto (CA)

(**) Term: **15 Years**

(21) Appl. No.: **29/745,553**

(22) Filed: **Aug. 6, 2020**

(51) **LOC (13) Cl.** **08-07**

(52) **U.S. Cl.**

USPC **D8/331**

(58) **Field of Classification Search**

USPC D8/331, 336, 337

CPC .. E05B 47/00; E05B 47/0002; E05B 47/0046;

E05B 47/0038; E05B 47/02; E05B 65/06;

E05B 65/08; E05B 65/46; E05B 65/0085;

E05B 65/0007; E05B 15/0073; E05B

2047/0007; E05B 2047/0024; E05B

2047/0035; E05B 57/00; E05B 59/00;

E05B 61/00; E05C 19/166; E05C 19/168;

E05C 19/16; E05C 19/161

See application file for complete search history.

(56) **References Cited**

U.S. PATENT DOCUMENTS

D445,017 S * 7/2001 Kronmeyer D8/337

D505,058 S * 5/2005 Sykes D8/331

10,494,842 B2 * 12/2019 Lepper E05B 65/006

* cited by examiner

Primary Examiner — Doris Clark

(74) *Attorney, Agent, or Firm* — Blake, Cassels & Graydon LLP; John R. S. Orange; Laurie Wright

(57) **CLAIM**

The ornamental design for a latch, as shown and described.

DESCRIPTION

FIG. 1 is a front isometric view of the latch;

FIG. 2 is a rear isometric view of the latch of FIG. 1;

FIG. 3 is a side elevation of the latch of FIG. 1 from one side

FIG. 4 is a side elevation of the latch from the opposite side to FIG. 3

FIG. 5 is rear elevation of the latch of FIG. 1

FIG. 6 is a front elevation of the latch of FIG. 1

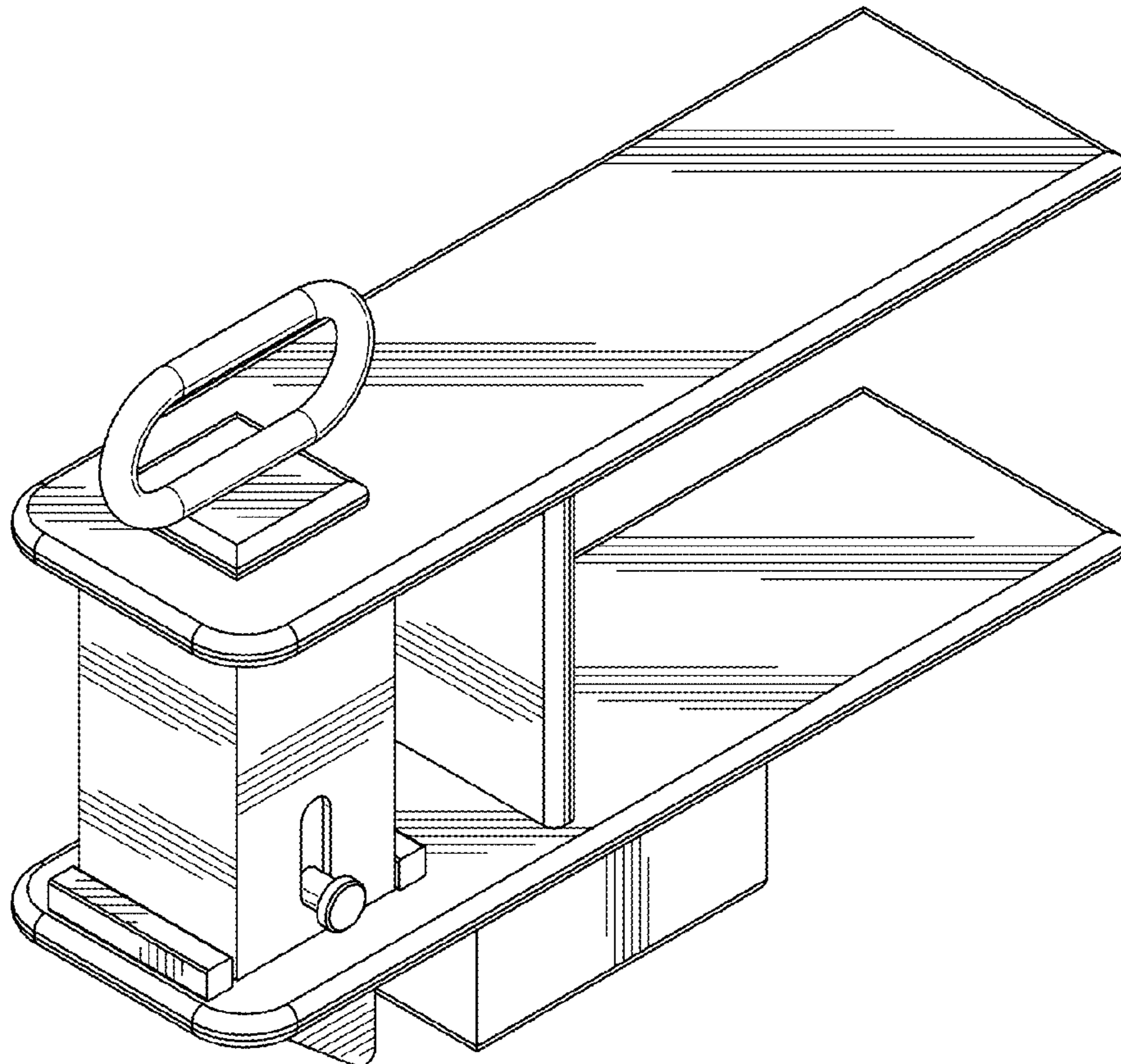
FIG. 7 is top view of the latch of FIG. 1

FIG. 8 is a bottom view of the latch of FIG. 1

FIG. 9 is a side elevation view of the latch in FIG. 1 showing cross sectional lines 9-9; and,

FIG. 10 is a cross sectional view of the latch taken along line 10-10 of FIG. 9.

1 Claim, 4 Drawing Sheets



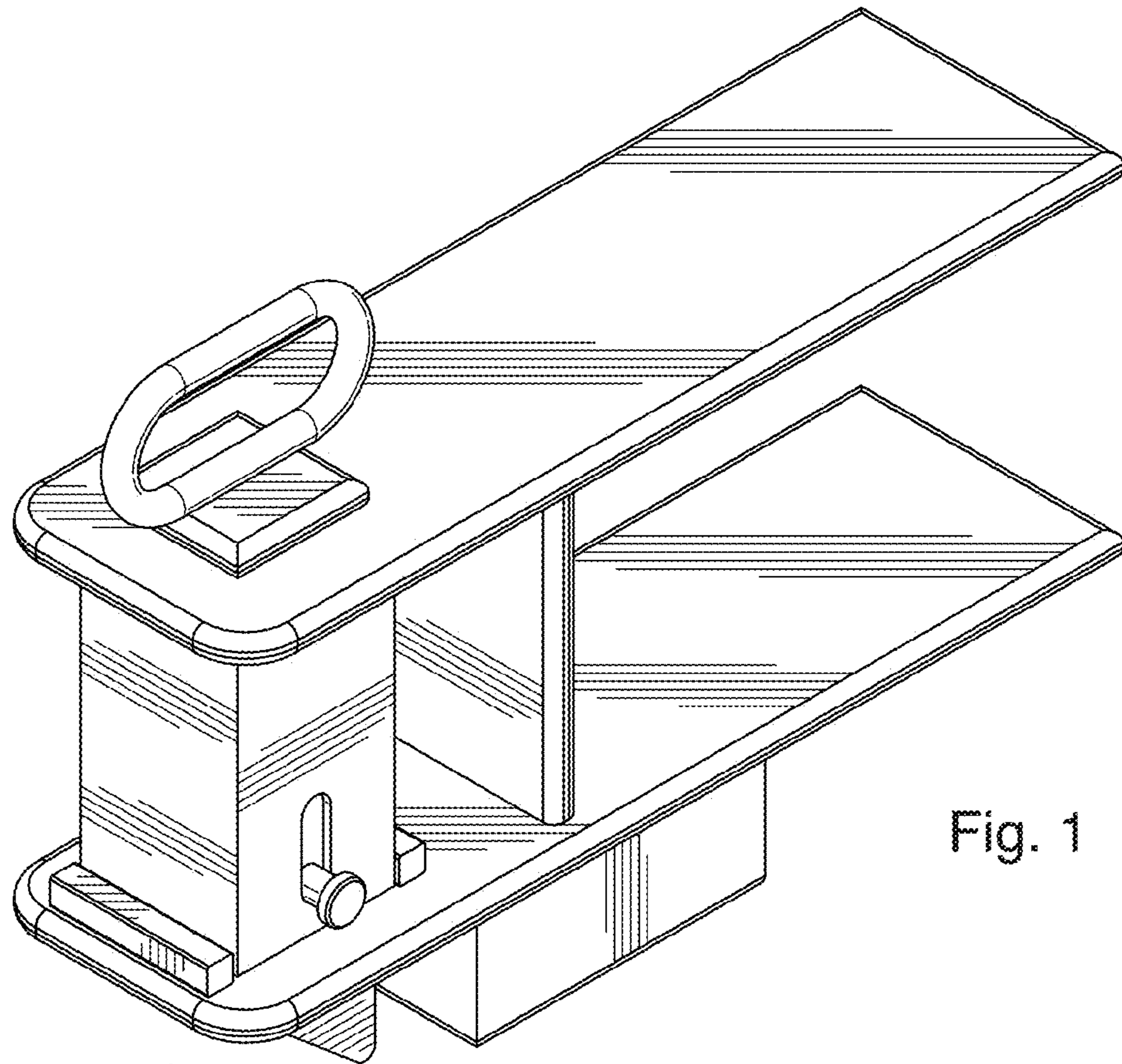


Fig. 1

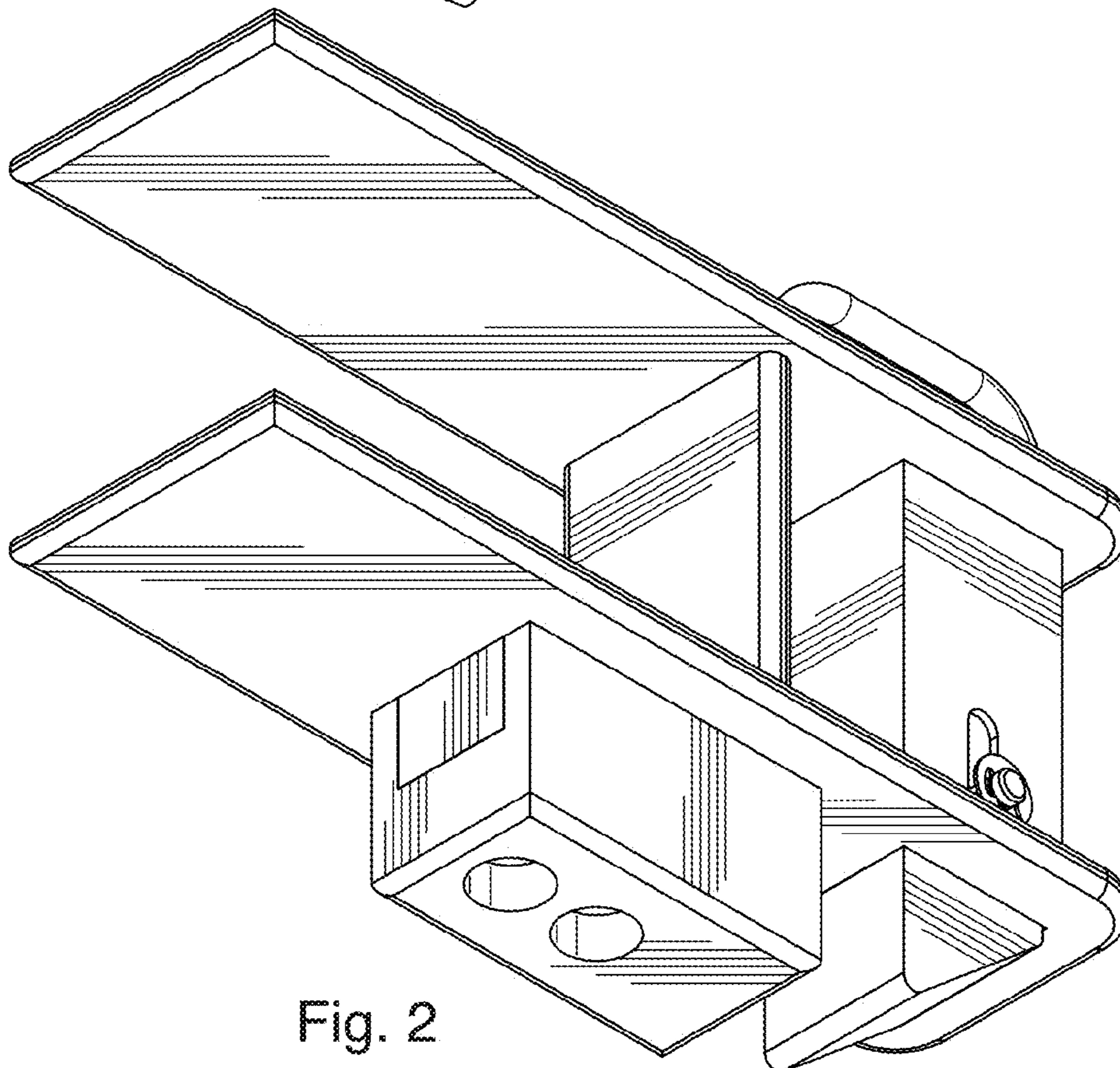


Fig. 2

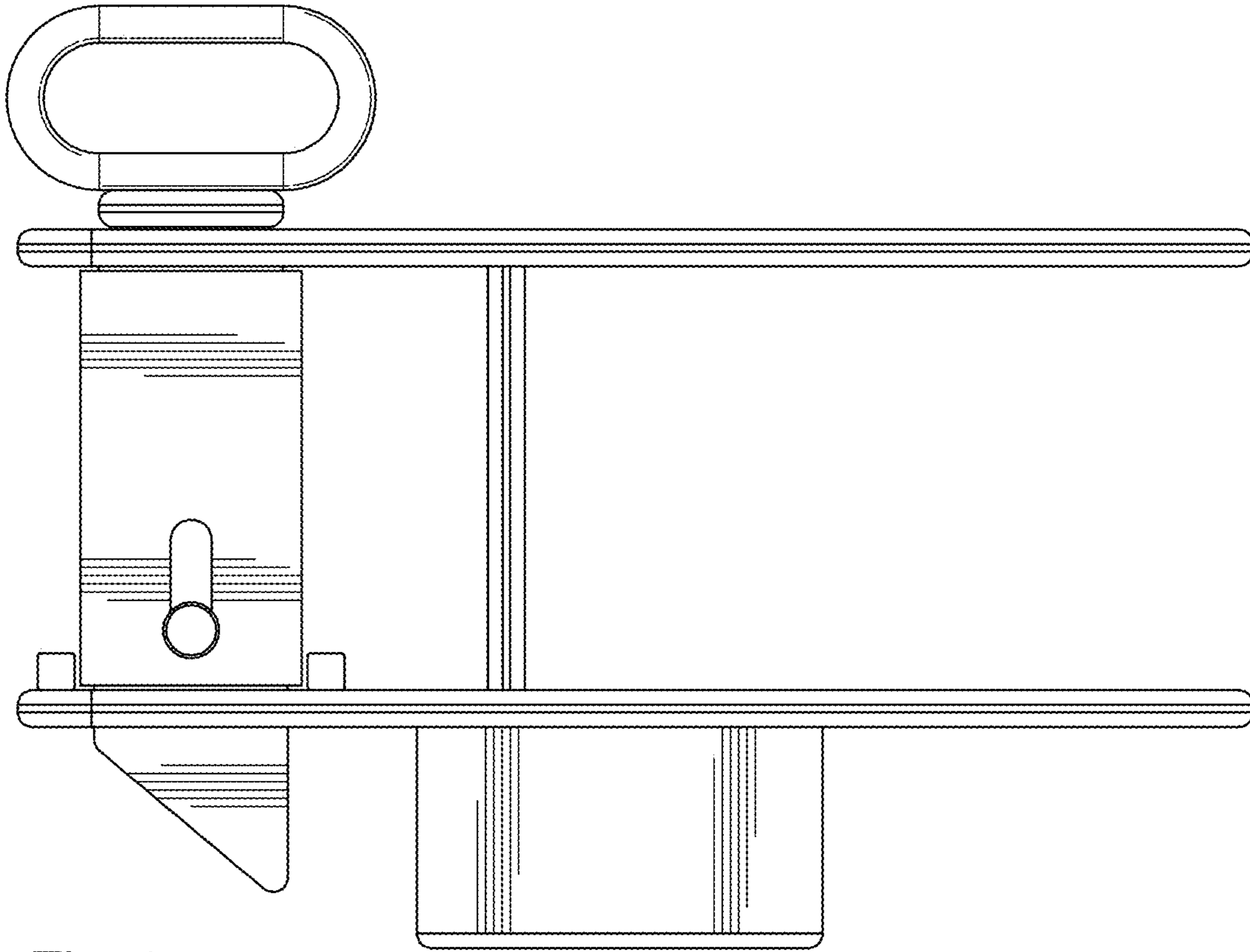


Fig. 3

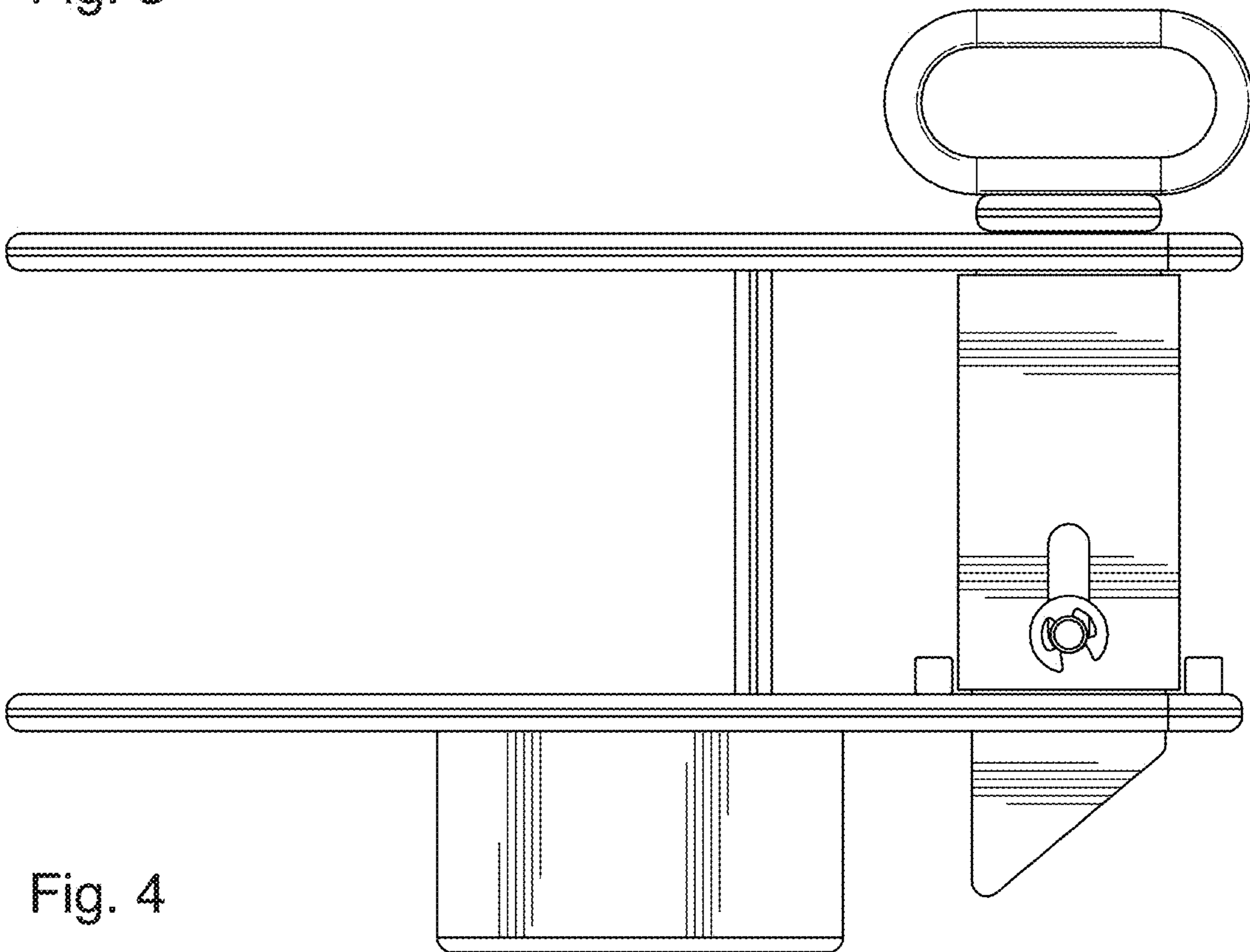


Fig. 4

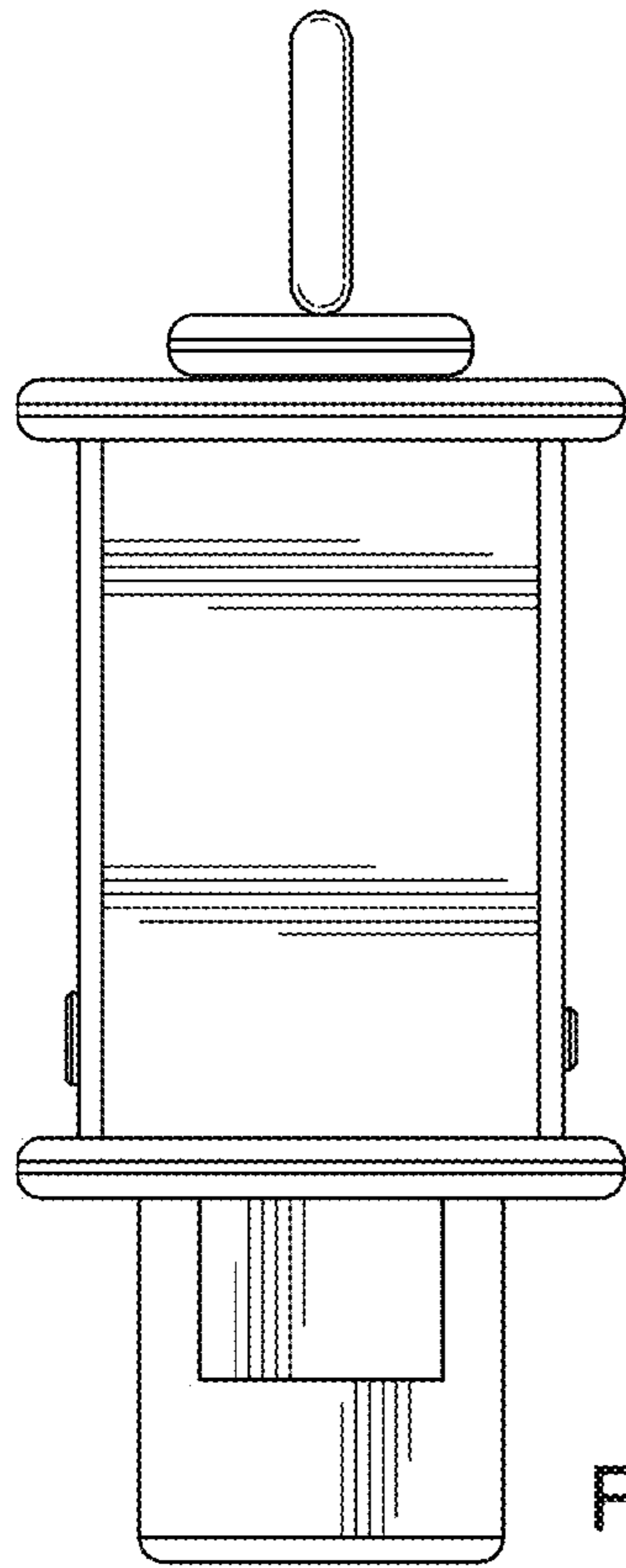


Fig. 5

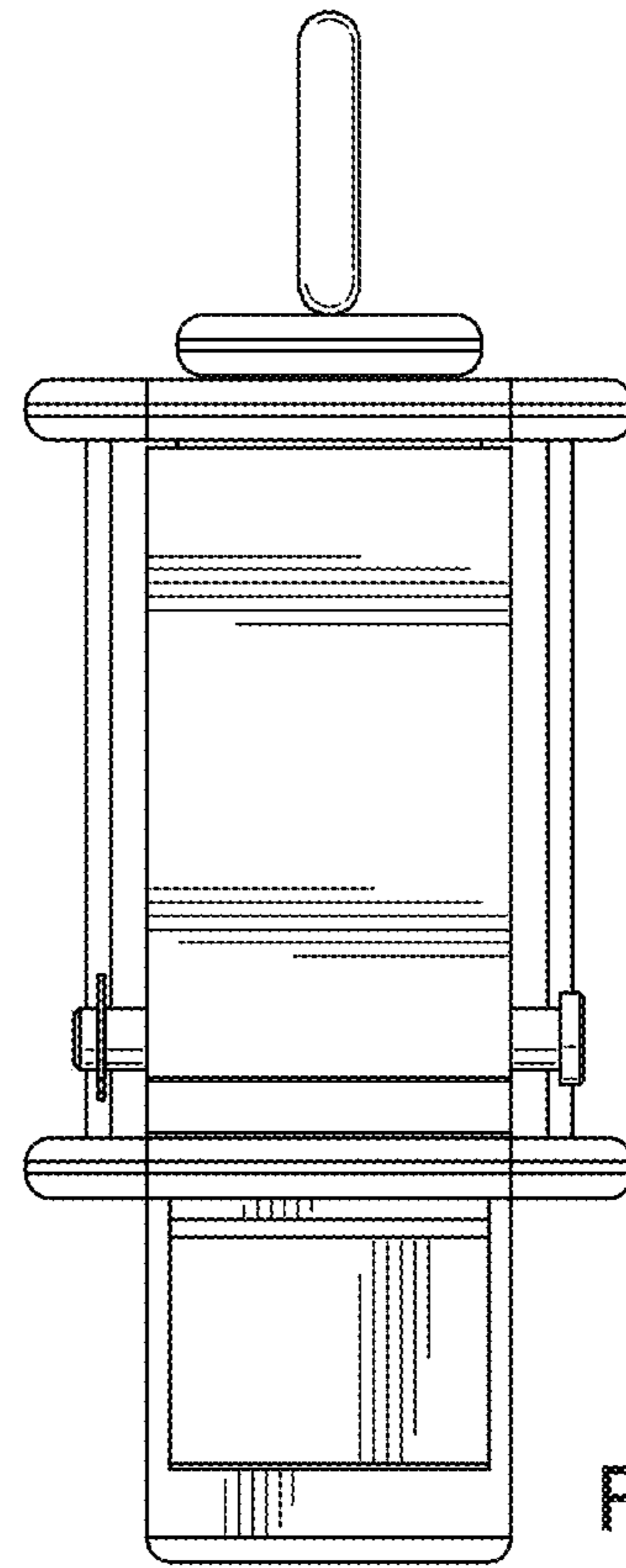


Fig. 6

Fig. 7

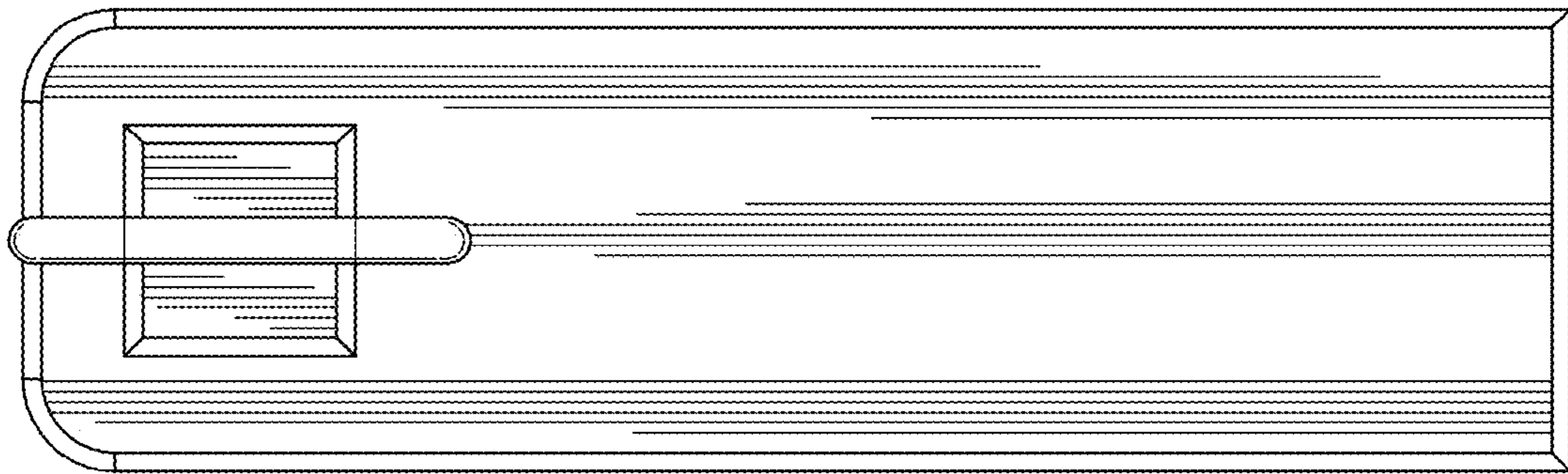
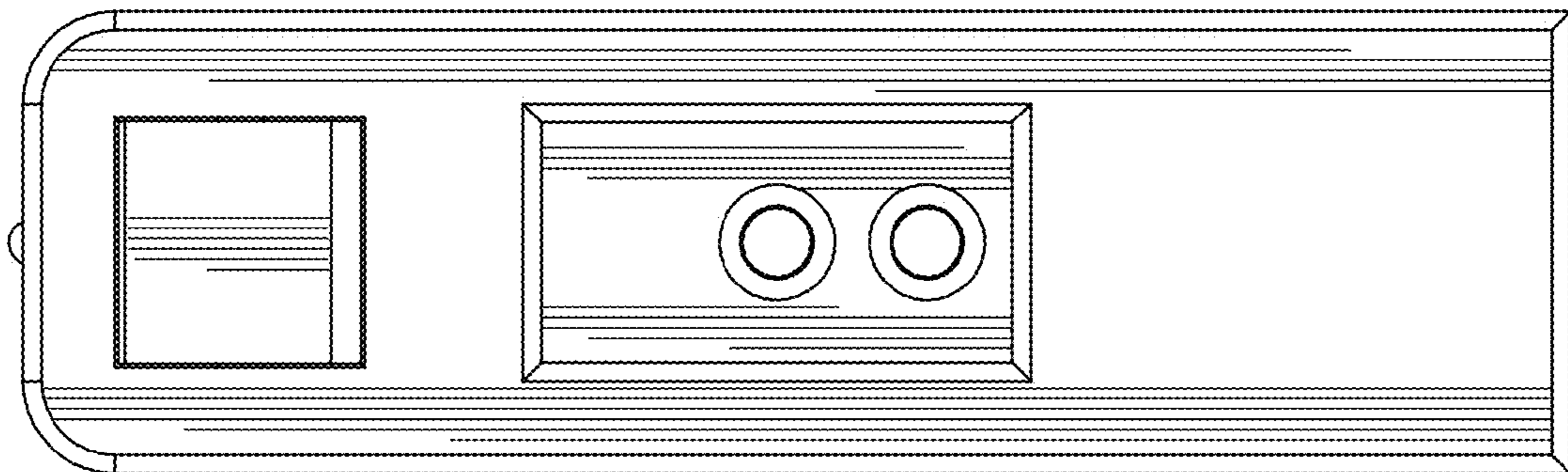


Fig. 8



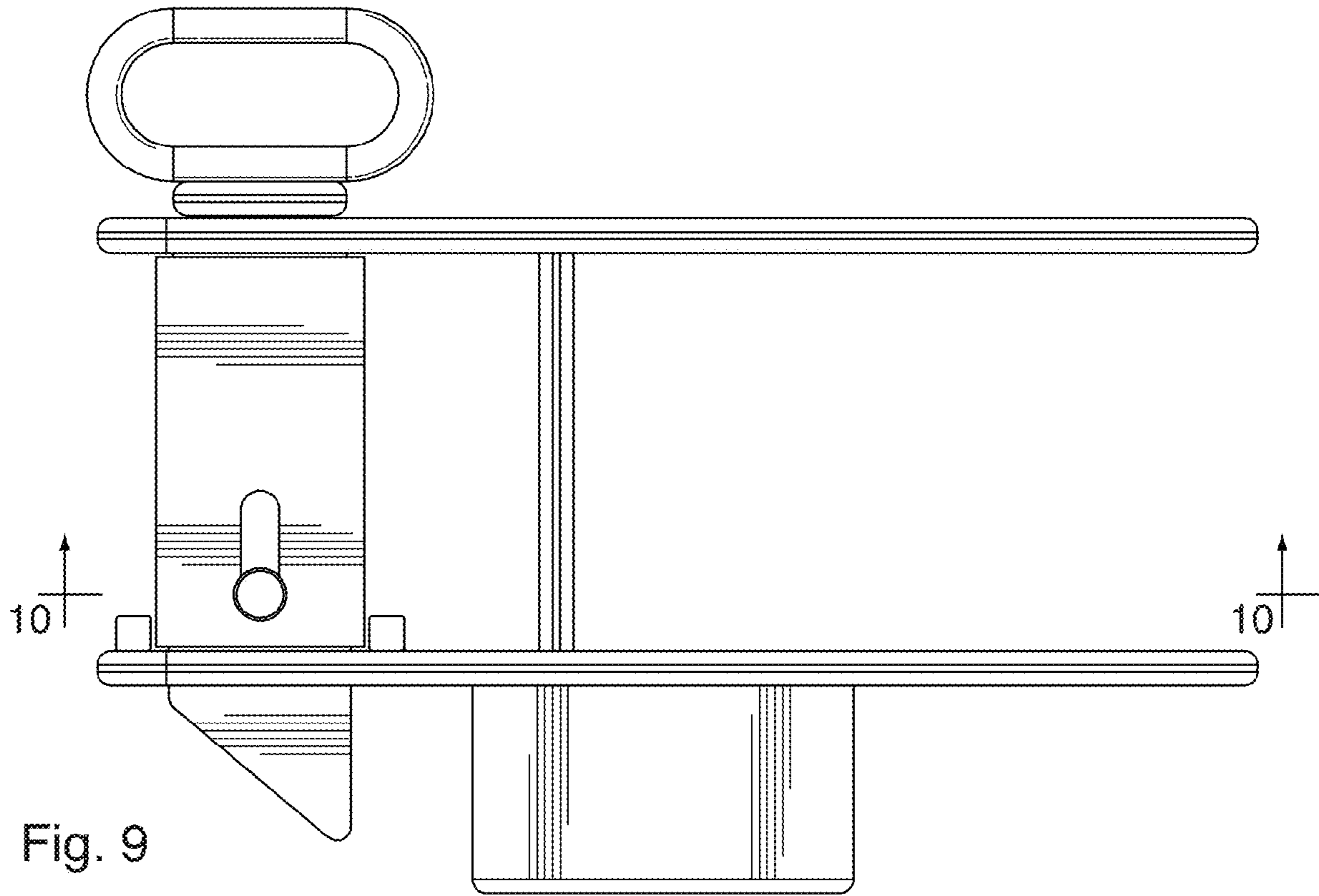


Fig. 9

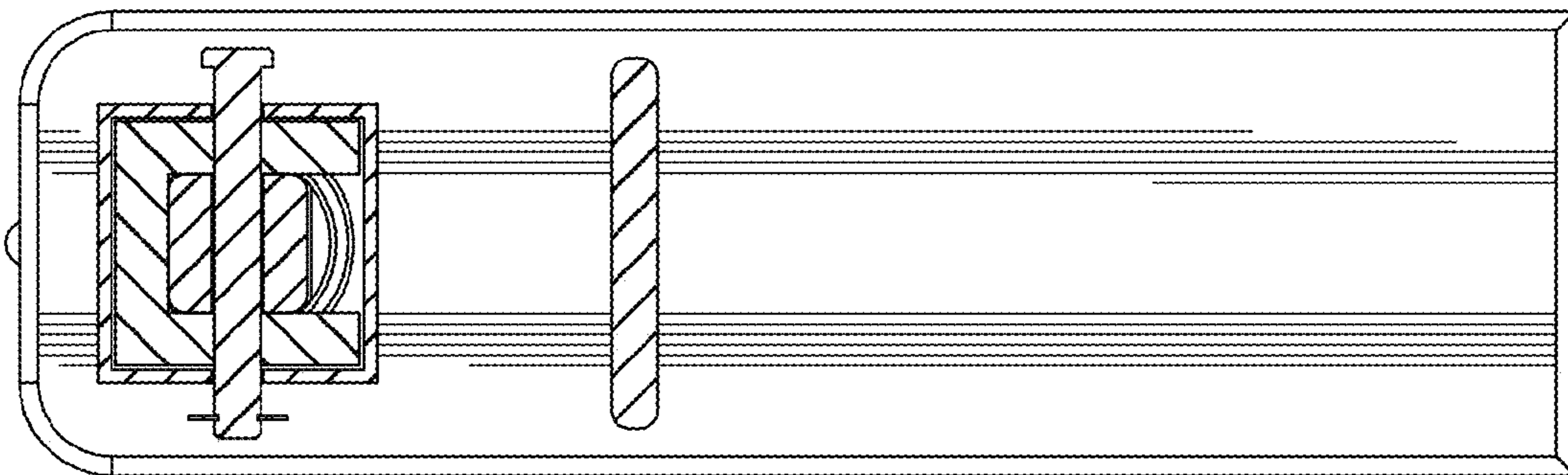


Fig. 10