



US00D938799S

(12) **United States Design Patent** (10) **Patent No.:** **US D938,799 S**
Wei (45) **Date of Patent:** **** Dec. 21, 2021**

(54) **DOOR LOCK**

(56) **References Cited**

(71) Applicant: **ZHONGSHAN SMARTEK SECURITY TECHNOLOGY CO., LTD.**, Zhongshan (CN)

(72) Inventor: **Chaoyi Wei**, Yizhou (CN)

(73) Assignee: **ZHONGSHAN SMARTEK SECURITY TECHNOLOGY CO., LTD.**, Zhongshan (CN)

(**) Term: **15 Years**

(21) Appl. No.: **29/732,404**

(22) Filed: **Apr. 23, 2020**

(51) **LOC (13) Cl.** **08-07**

(52) **U.S. Cl.**
USPC **D8/331**

(58) **Field of Classification Search**
USPC D8/330, 331
CPC E05B 1/00; E05B 1/0015; E05B 5/006;
E05B 47/00; E05B 47/0001; E05B 47/06;
E05B 47/046; E05B 47/0012; E05B
17/147; E05B 49/00; E05B 49/02; E05C
1/002; E05C 1/004; E05C 1/08; E05C
3/002; E05C 3/004; E05C 3/006; E05C
3/008; E05C 3/12; G07C 9/00174; G07C
2009/00253

See application file for complete search history.

U.S. PATENT DOCUMENTS

4,669,394 A * 6/1987 Fogleman E05G 1/02
109/59 T
7,516,633 B1 * 4/2009 Chang E05B 13/101
292/251.5
D693,206 S * 11/2013 Mostert D8/350
D790,320 S * 6/2017 Schneider D8/331
9,670,696 B2 * 6/2017 Chong E05B 47/0012
10,895,094 B2 * 1/2021 Li E05B 47/026

* cited by examiner

Primary Examiner — Doris Clark

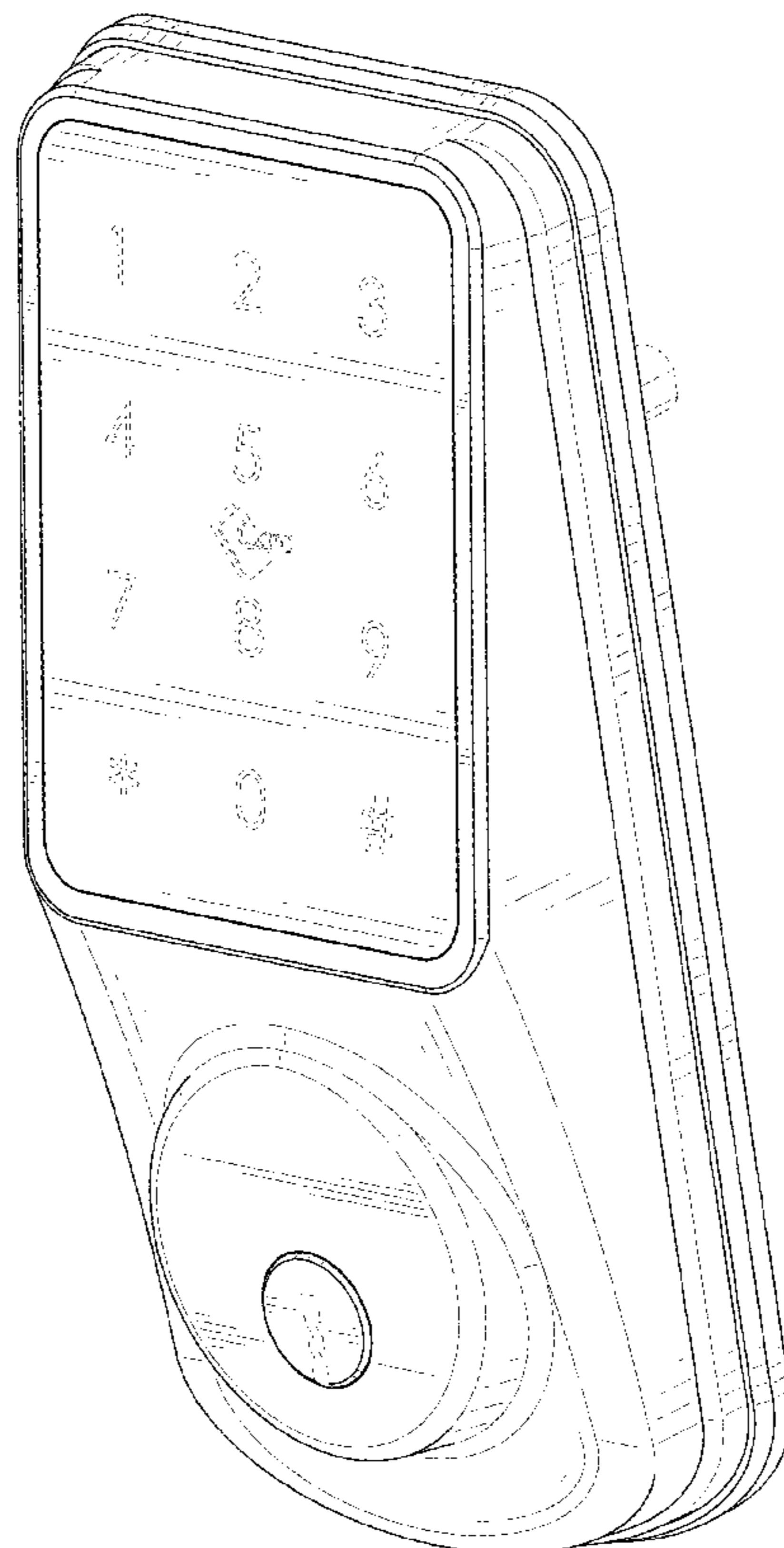
(57) **CLAIM**

The ornamental design for a door lock, as shown and described.

DESCRIPTION

FIG. 1 is a perspective view of a door lock showing my new design;
FIG. 2 is another perspective view thereof;
FIG. 3 is a front elevational view thereof;
FIG. 4 is a rear elevational view thereof;
FIG. 5 is a left side elevational view thereof;
FIG. 6 is a right side elevational view thereof;
FIG. 7 is a top plan view thereof;
FIG. 8 is a bottom plan view thereof; and,
FIG. 9 is an enlarged view of portion 9 shown in FIG. 2.
The broken lines in the drawings depict portions of the door lock that form no part of the claimed design.

1 Claim, 9 Drawing Sheets



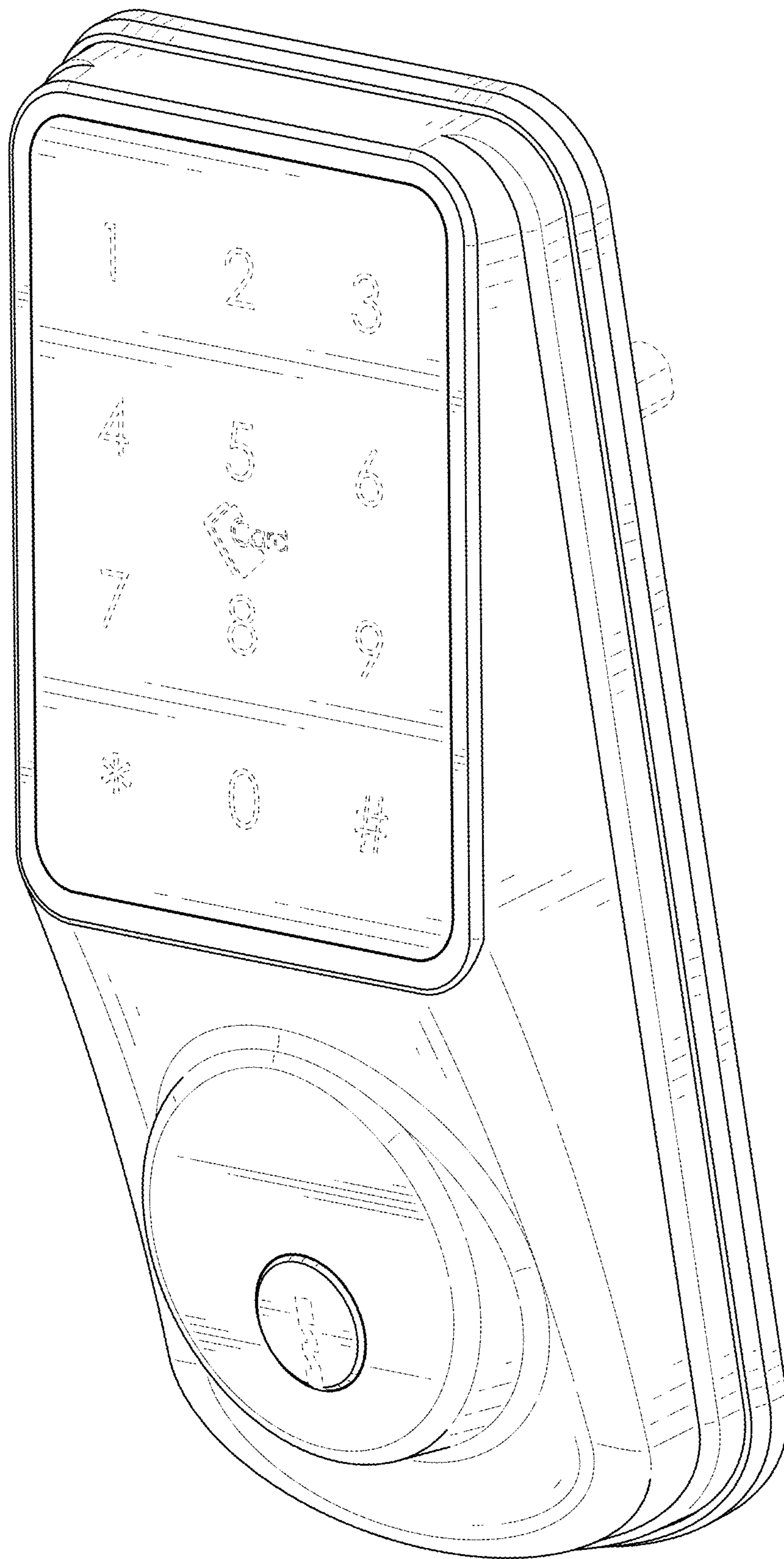


FIG. 1

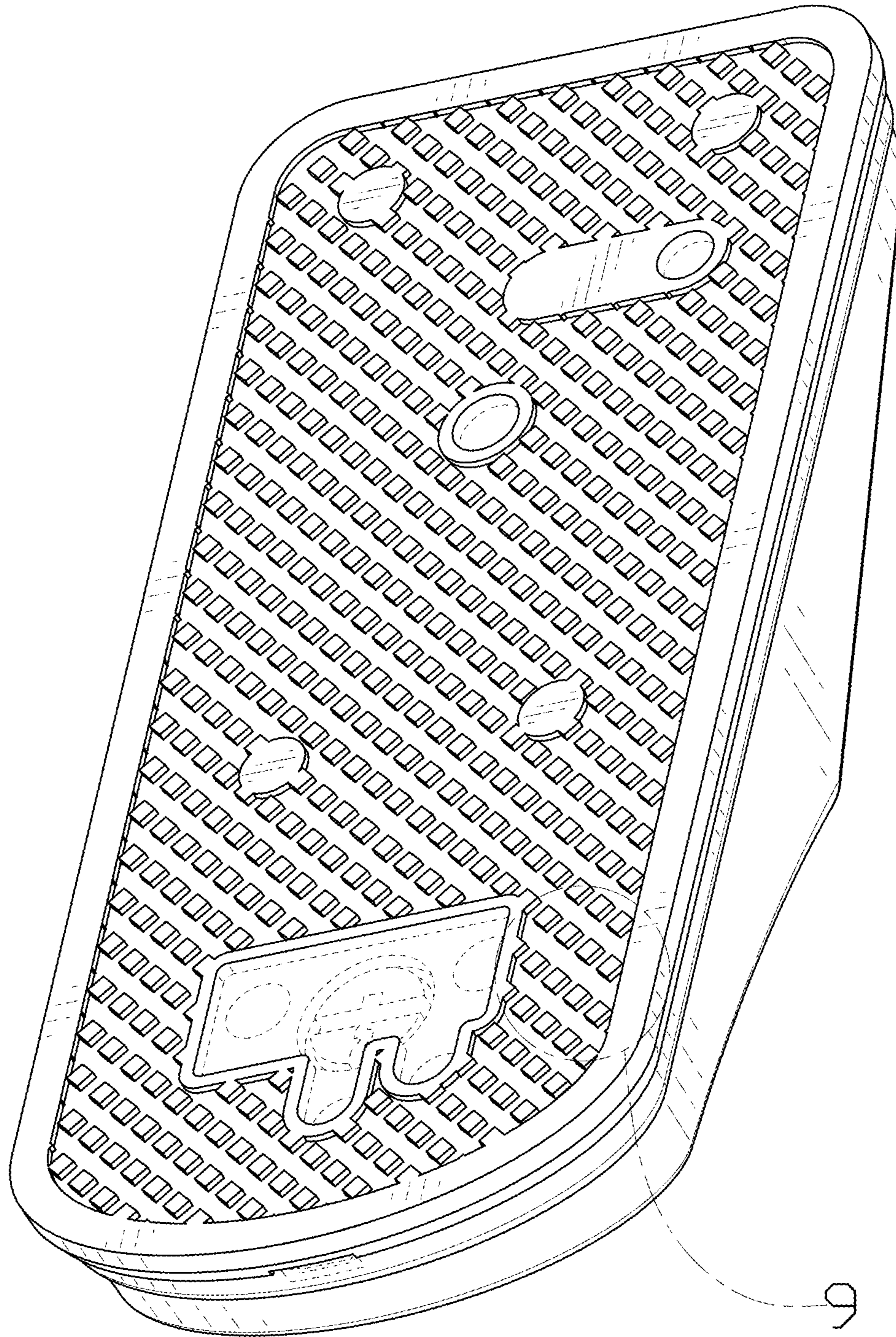


FIG. 2

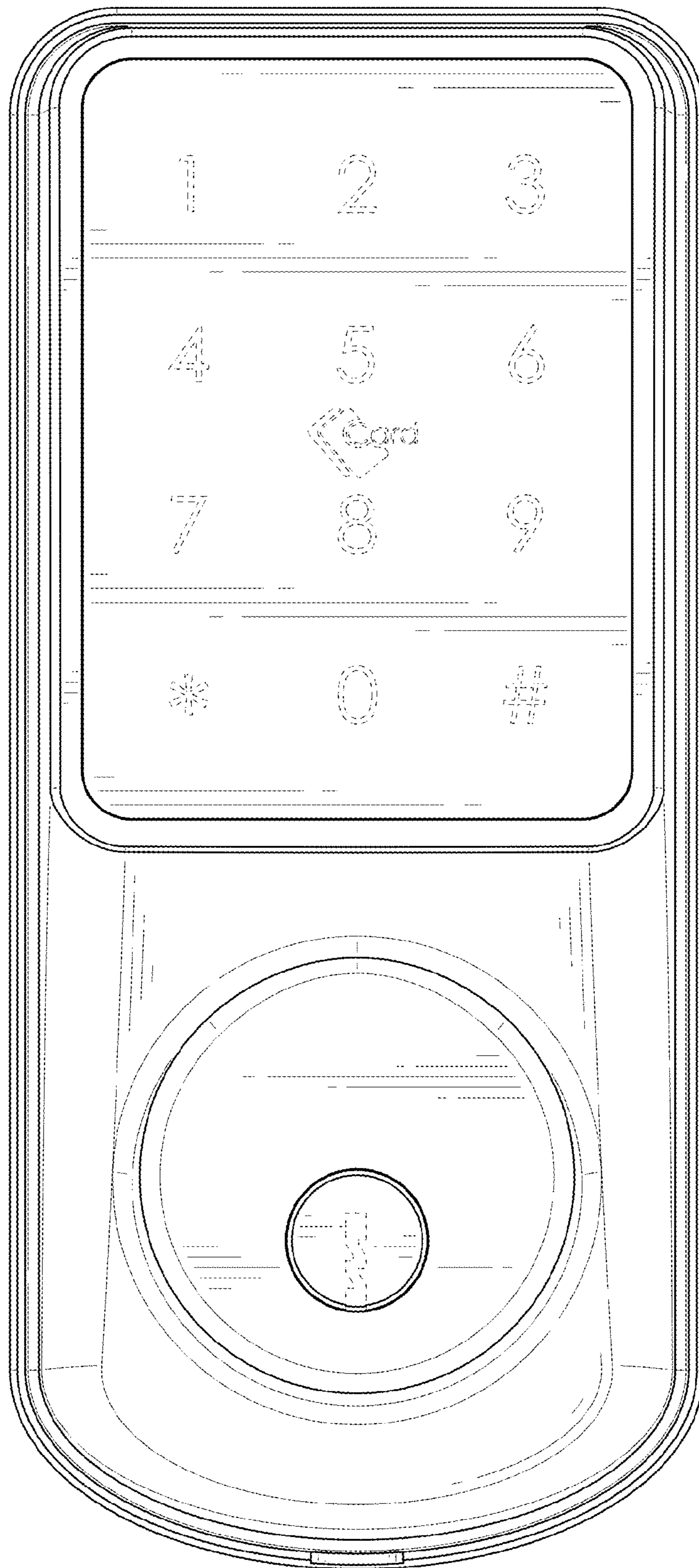


FIG. 3

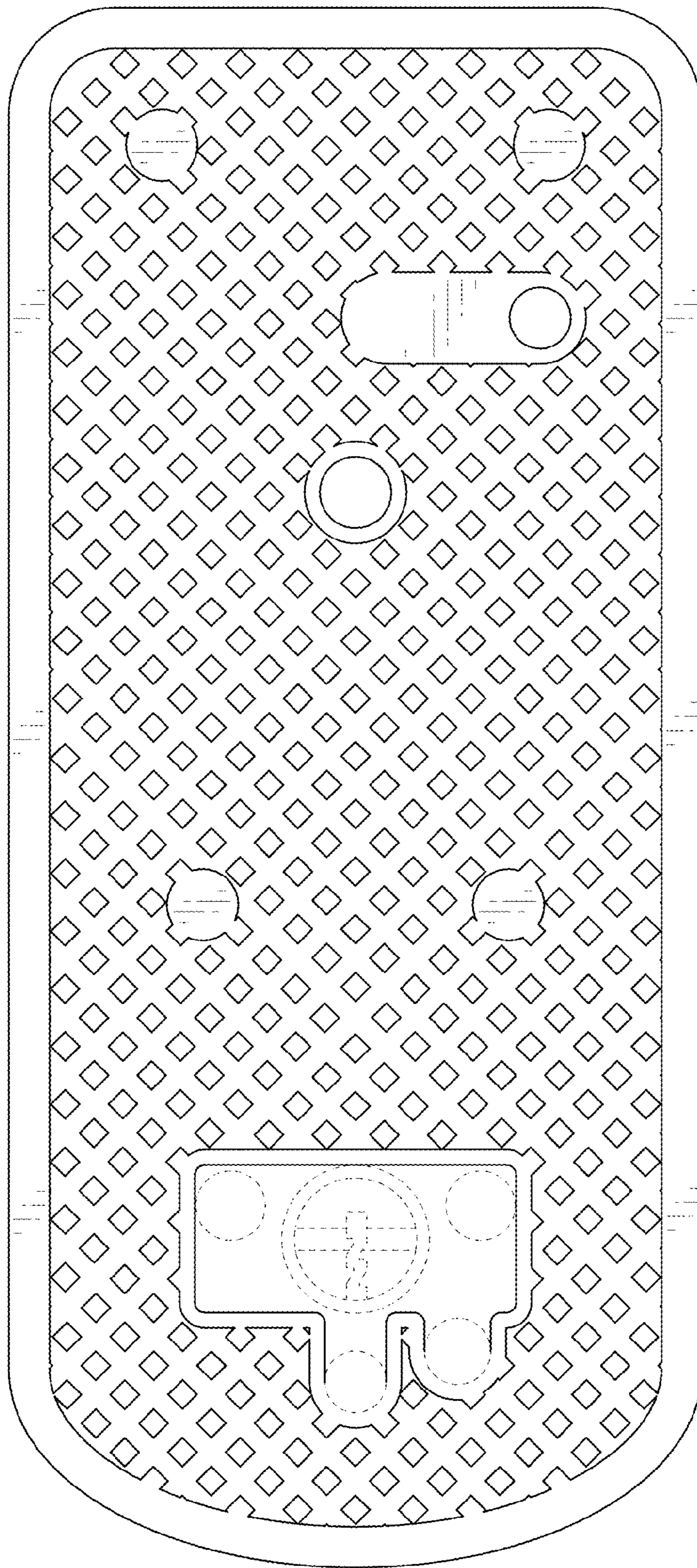


FIG. 4

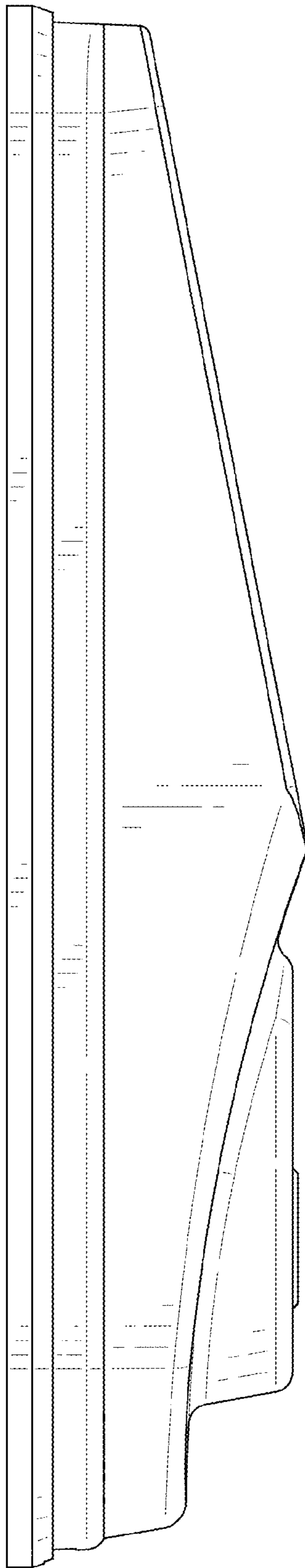


FIG. 5

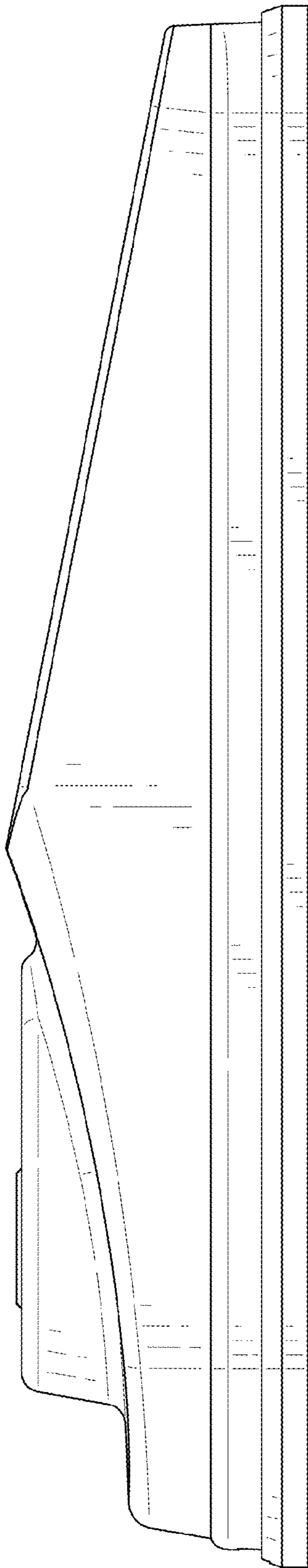


FIG. 6

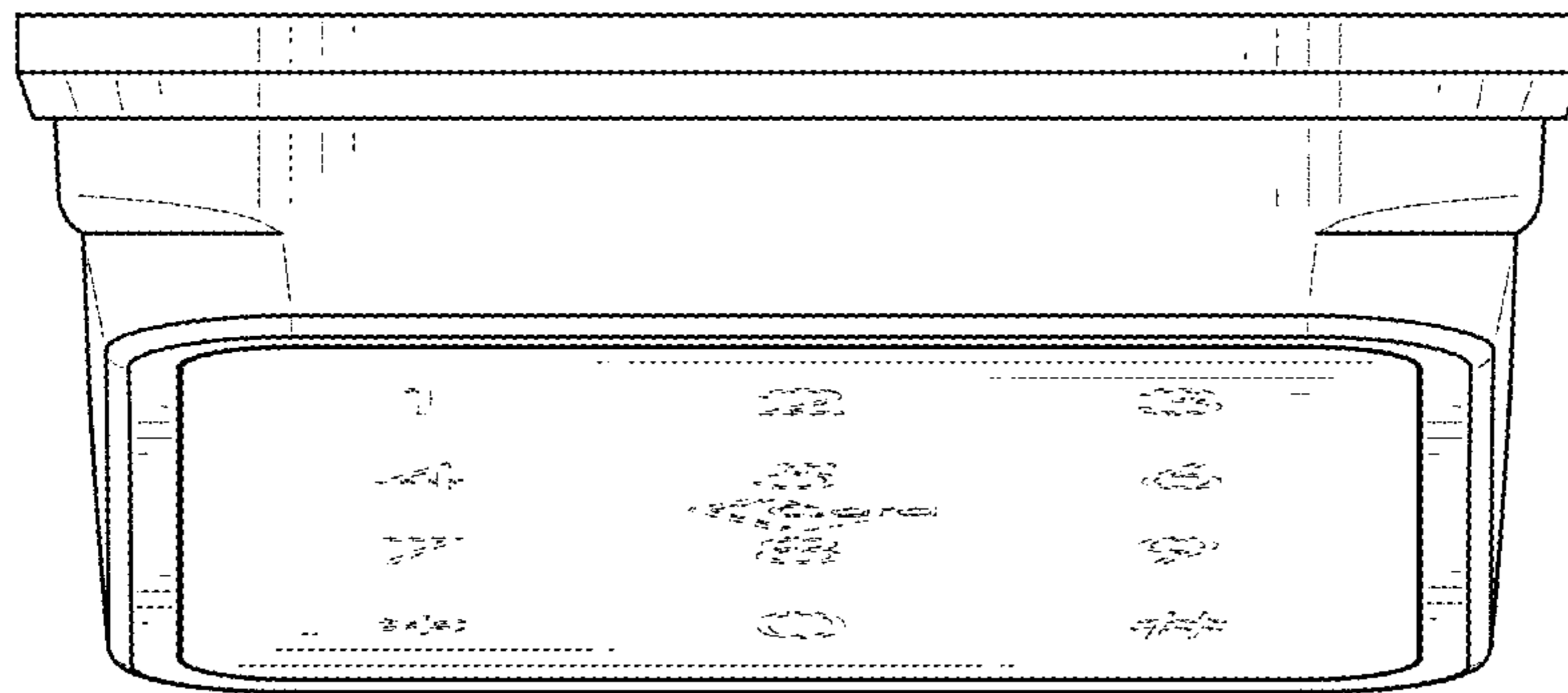


FIG. 7

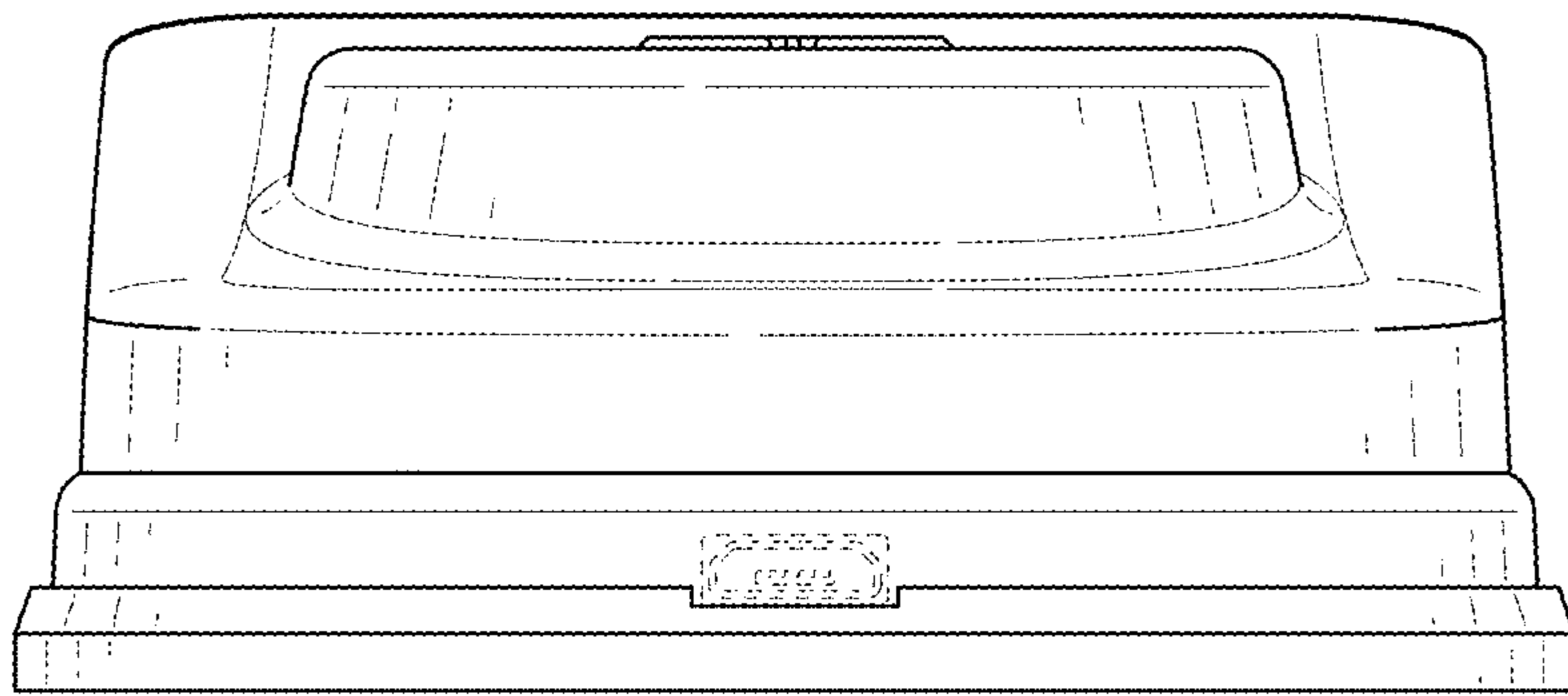


FIG. 8

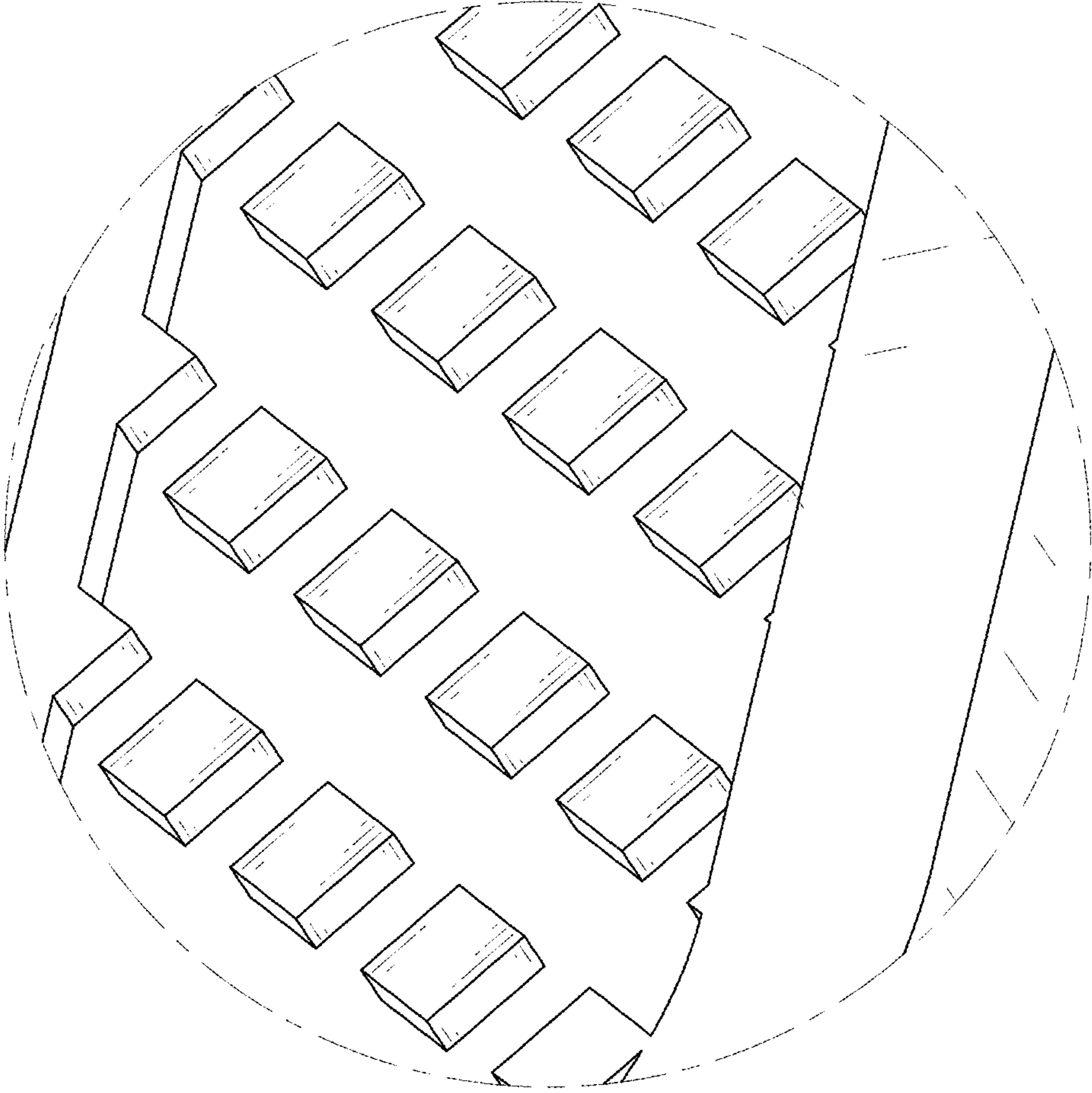


FIG. 9