



US00D938798S

(12) **United States Design Patent**  
**Hirvesaar**

(10) **Patent No.:** **US D938,798 S**

(45) **Date of Patent:** **\*\* Dec. 21, 2021**

(54) **SMART LOCK**

(71) Applicant: **Cleveron AS**, Viljandi (EE)

(72) Inventor: **Lauri Hirvesaar**, Tallinn (EE)

(73) Assignee: **Cleveron AS**, Viljandi (EE)

(\*\*) Term: **15 Years**

(21) Appl. No.: **29/686,891**

(22) Filed: **May 14, 2019**

(30) **Foreign Application Priority Data**

Feb. 20, 2019 (EM) ..... 006262242

(51) **LOC (13) Cl.** ..... **08-07**

(52) **U.S. Cl.**  
USPC ..... **D8/330; D8/331**

(58) **Field of Classification Search**  
USPC ..... D8/232-330, 302, 309, 321, 330-334,  
D8/336-350; 292/341, 341.1, 340, 344,  
292/343, 180  
CPC ..... G07C 9/00571; G07C 9/00674; G07C  
9/00309; H05K 1/144; E05B 3/00; E05B  
15/00; E05B 9/00; E05B 63/04; E05B  
15/101; E05B 1/003; E05B 65/0811;  
E05B 17/18; E05B 83/00; Y10T 292/68;  
Y10T 292/0803; Y10T 292/0848; Y10T  
70/5199; Y10T 292/53; Y10T 16/458;  
H04N 7/186; H04N 7/147; H04N  
5/232411  
See application file for complete search history.

(56) **References Cited**

**U.S. PATENT DOCUMENTS**

D397,026 S \* 8/1998 Drake ..... D8/346  
D410,190 S \* 5/1999 Freck ..... D8/331  
D433,309 S \* 11/2000 Johansson ..... D8/331  
D471,428 S \* 3/2003 Mirick ..... D8/331  
6,564,603 B1 \* 5/2003 O'Neill ..... E05B 9/084  
70/371

D511,674 S \* 11/2005 Myers ..... D8/331  
D534,785 S \* 1/2007 Mlynarczyk ..... D8/331  
D546,661 S \* 7/2007 Jackson, Jr. .... D8/302

(Continued)

**FOREIGN PATENT DOCUMENTS**

CN 305243609 \* 2/2019  
CN 305346034 \* 3/2019

(Continued)

**OTHER PUBLICATIONS**

Cleveron, Cleveron is taking steps to create an efood store for the people of Viljandi, Date first available Jan. 23, 2020, [online] retrieved Dec. 9, 2020, available from internet, <https://sakala.postimees.ee/7128719/koroonaoht-viib-publiku-saalist-ning-kontserdid-jaavad-ara> (Year: 2020).\*

(Continued)

*Primary Examiner* — Keli L Hill  
*Assistant Examiner* — Sara S Sahneh  
(74) *Attorney, Agent, or Firm* — Meunier Carlin & Curfman LLC

(57) **CLAIM**

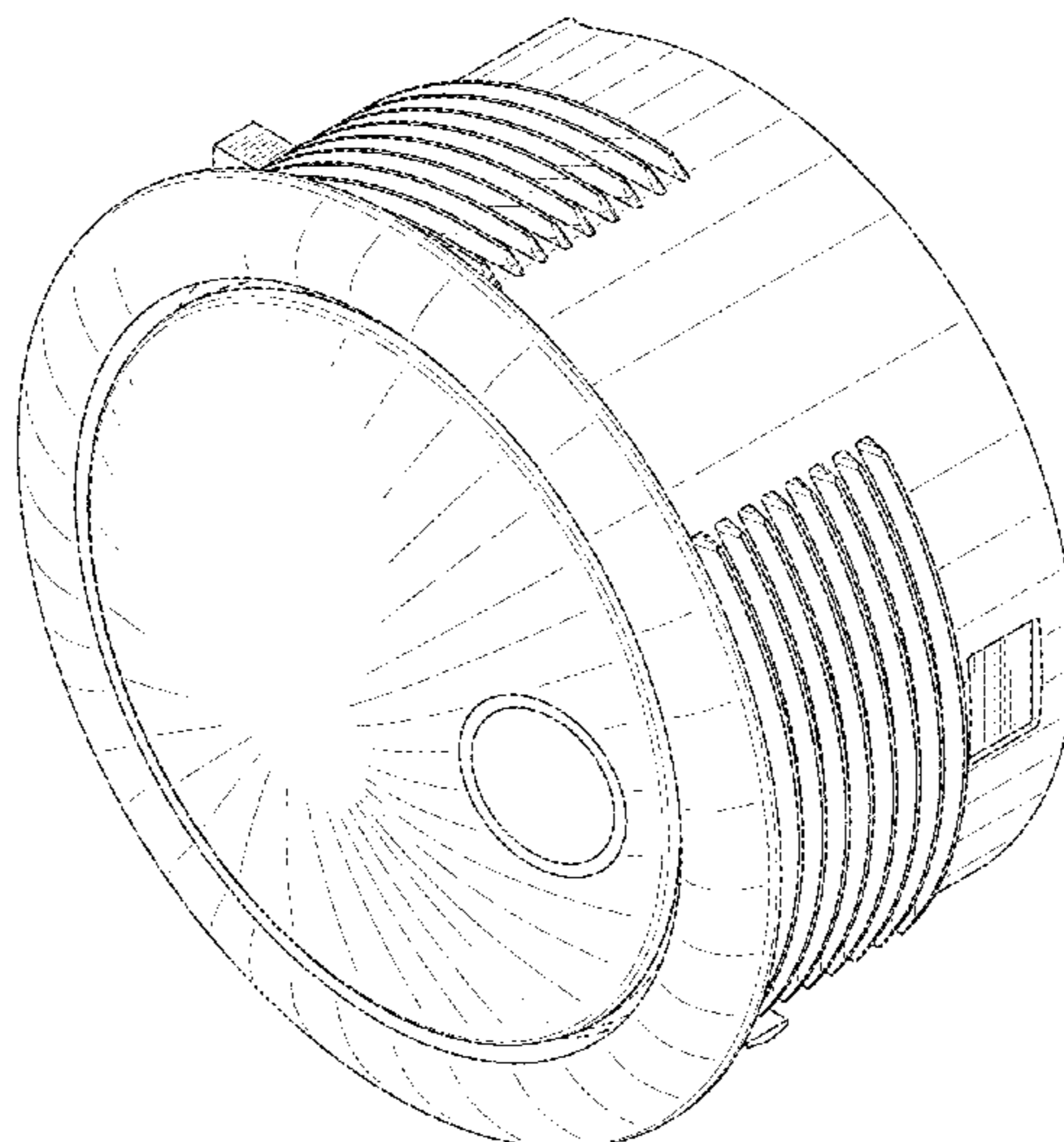
The ornamental design for a smart lock, as shown and described.

**DESCRIPTION**

FIG. 1 is an isometric perspective view of the smart lock;  
FIG. 2 is the front view thereof;  
FIG. 3 is the left view thereof;  
FIG. 4 is the right view thereof;  
FIG. 5 is the top view thereof;  
FIG. 6 is the bottom view thereof; and,  
FIG. 7 is back view thereof.

The broken lines shown in the figures are for the purpose of illustrating portions of the smart lock and form no part of the claimed design.

**1 Claim, 7 Drawing Sheets**



(56)

**References Cited**

U.S. PATENT DOCUMENTS

D549,075	S *	8/2007	Jackson, Jr. ....	D8/331
D579,317	S *	10/2008	Sykes .....	D8/338
7,695,031	B2 *	4/2010	Jackson, Jr. ....	E05B 1/0038
				292/169
7,980,105	B2 *	7/2011	Yang .....	E05B 29/00
				70/375
D658,966	S *	5/2012	Wyers .....	D8/331
D700,038	S *	2/2014	Linares .....	D8/331
D709,754	S *	7/2014	Lylyk .....	D8/331
D747,175	S *	1/2016	Linares .....	D8/331
D781,680	S *	3/2017	Lylyk .....	D8/331
D796,298	S *	9/2017	Lylyk .....	D8/331
D880,433	S *	4/2020	Woo .....	D13/171
D896,062	S *	9/2020	Bertani .....	D8/338
2010/0206021	A1 *	8/2010	Tribout .....	B62H 5/001
				70/233
2016/0050399	A1 *	2/2016	Chuter .....	H04N 7/186
				348/155

FOREIGN PATENT DOCUMENTS

CN	305685290	*	6/2019
CN	305833404	*	11/2019
CN	306201467	*	7/2020
JP	D1264435	*	1/2002
KR	301068267.0000	*	5/2020

OTHER PUBLICATIONS

August Home Store, Smart Lock Pro (3rd Gen) + Connect Hub—  
Zwave, Date first available Sep. 19, 2017, [online]retrieved Nov. 20,  
2020, available from internet, Sep. 19, 2017 (Year: 2017).\*

\* cited by examiner

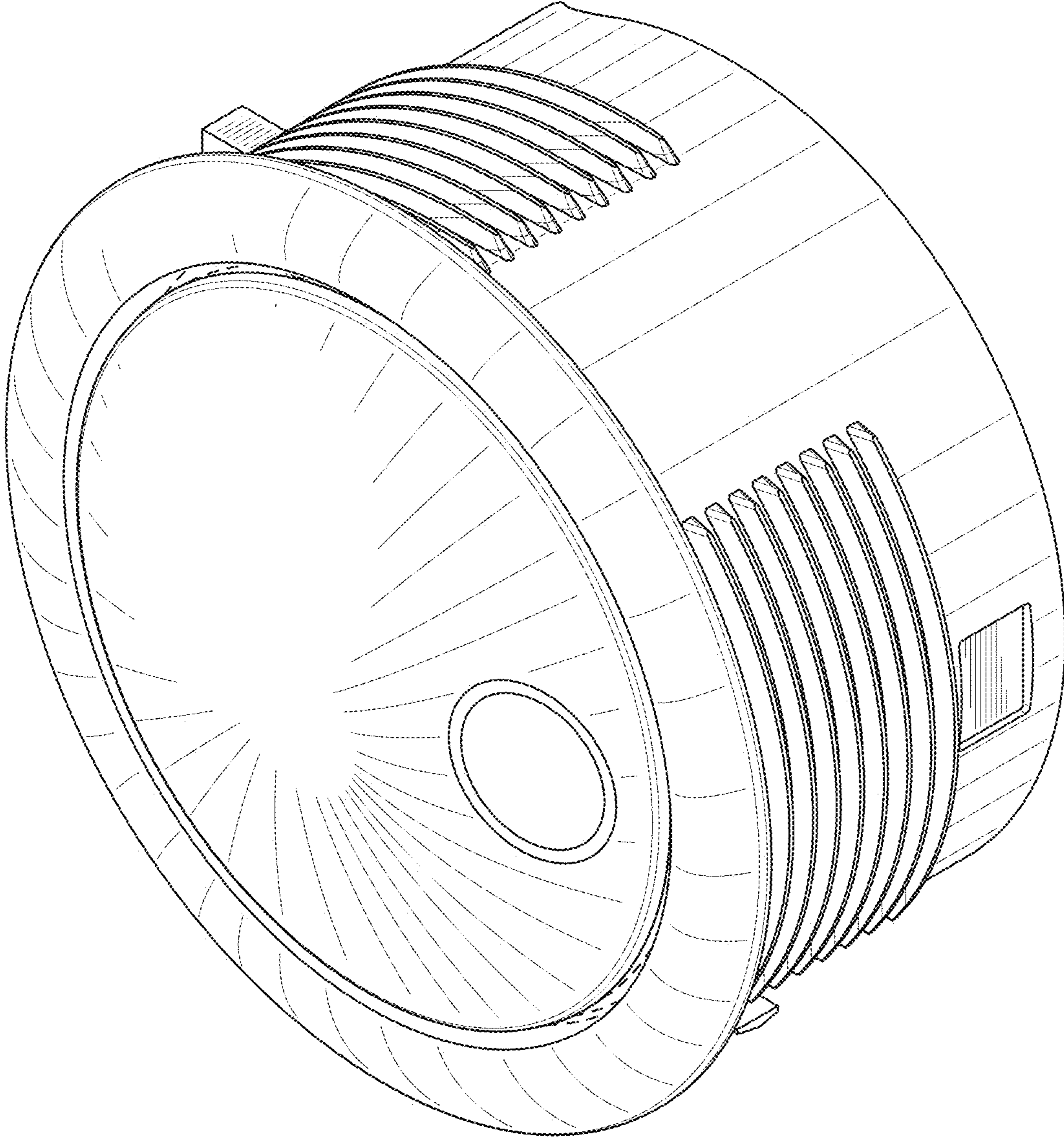


FIG. 1



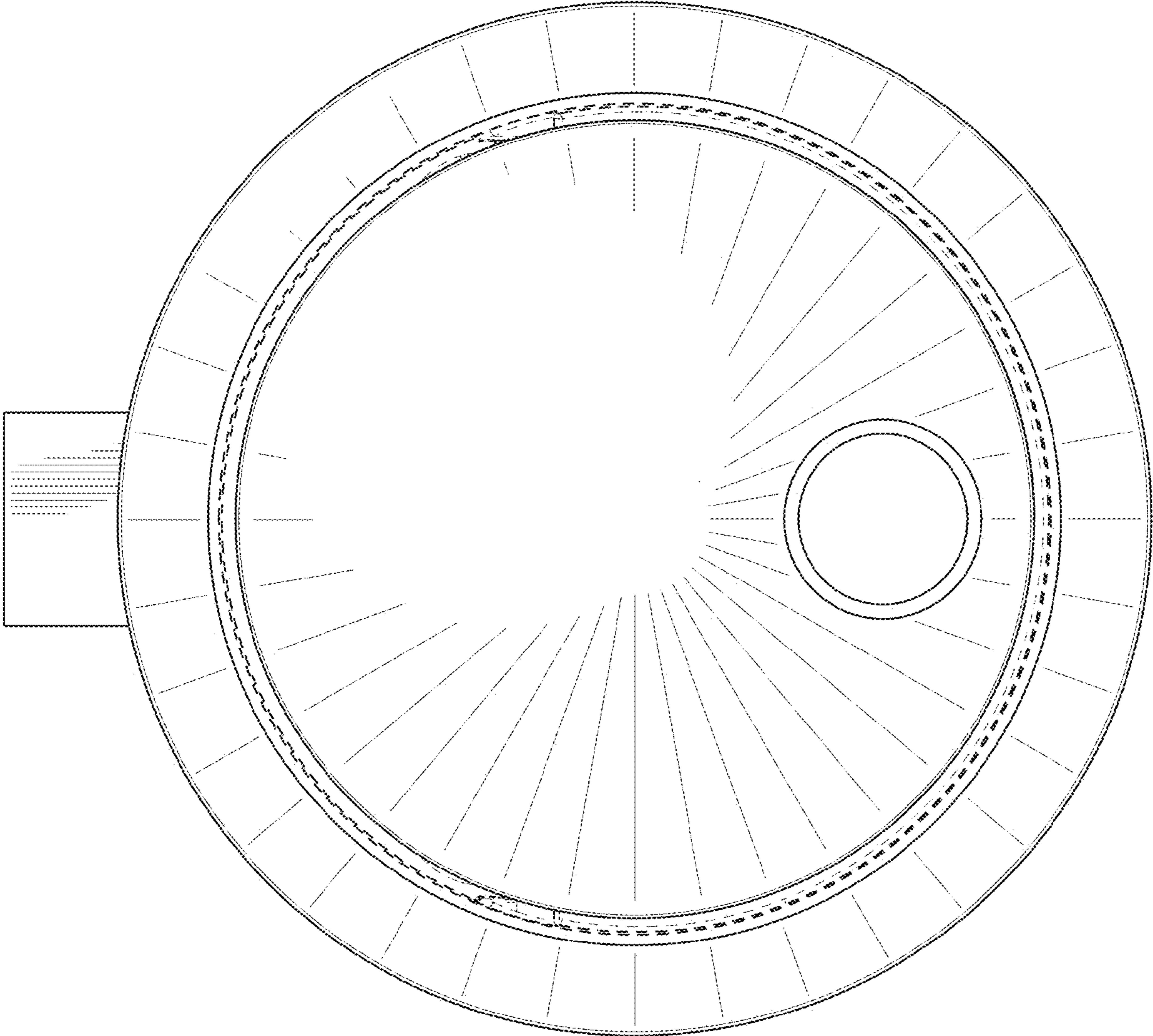


FIG. 2

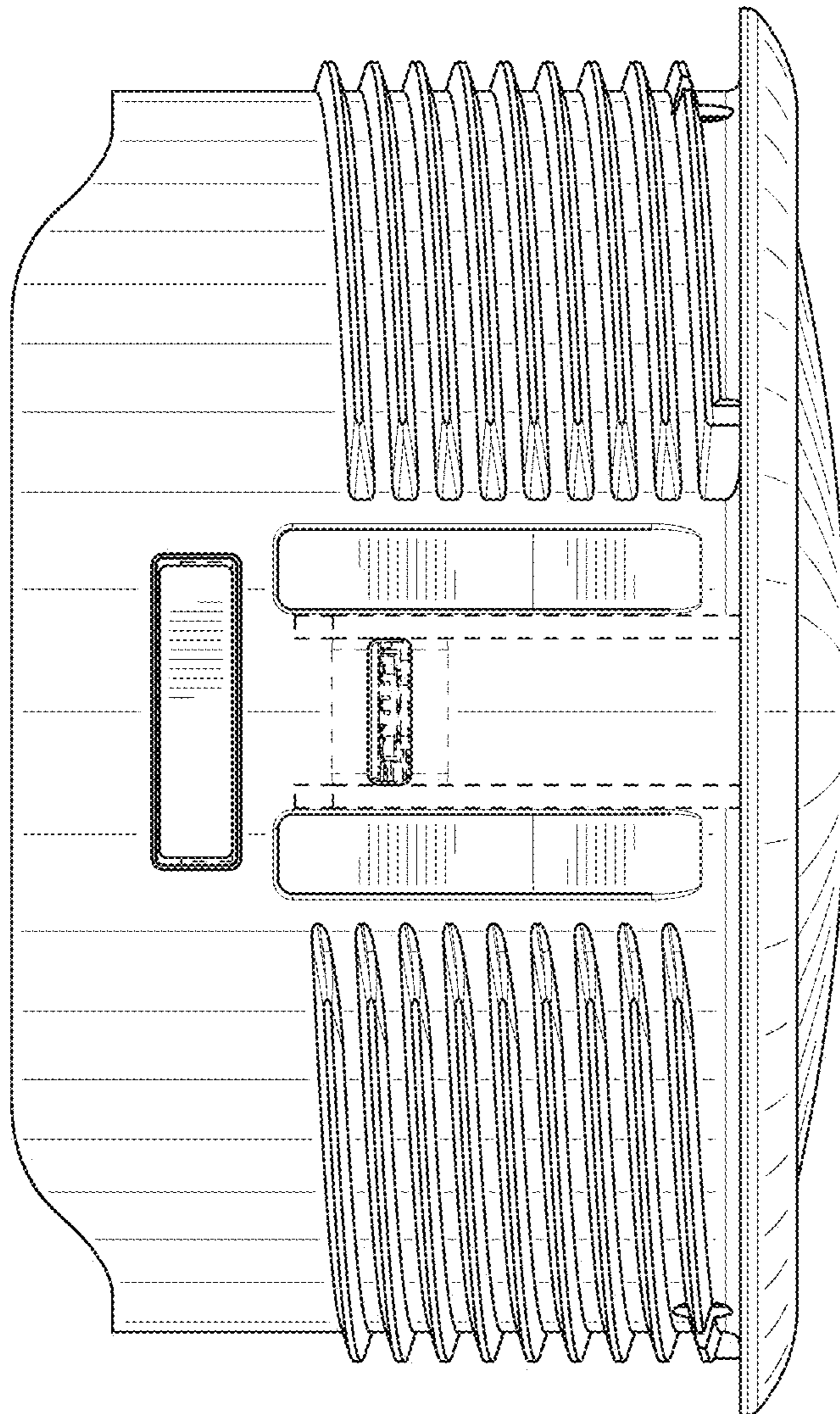


FIG. 3

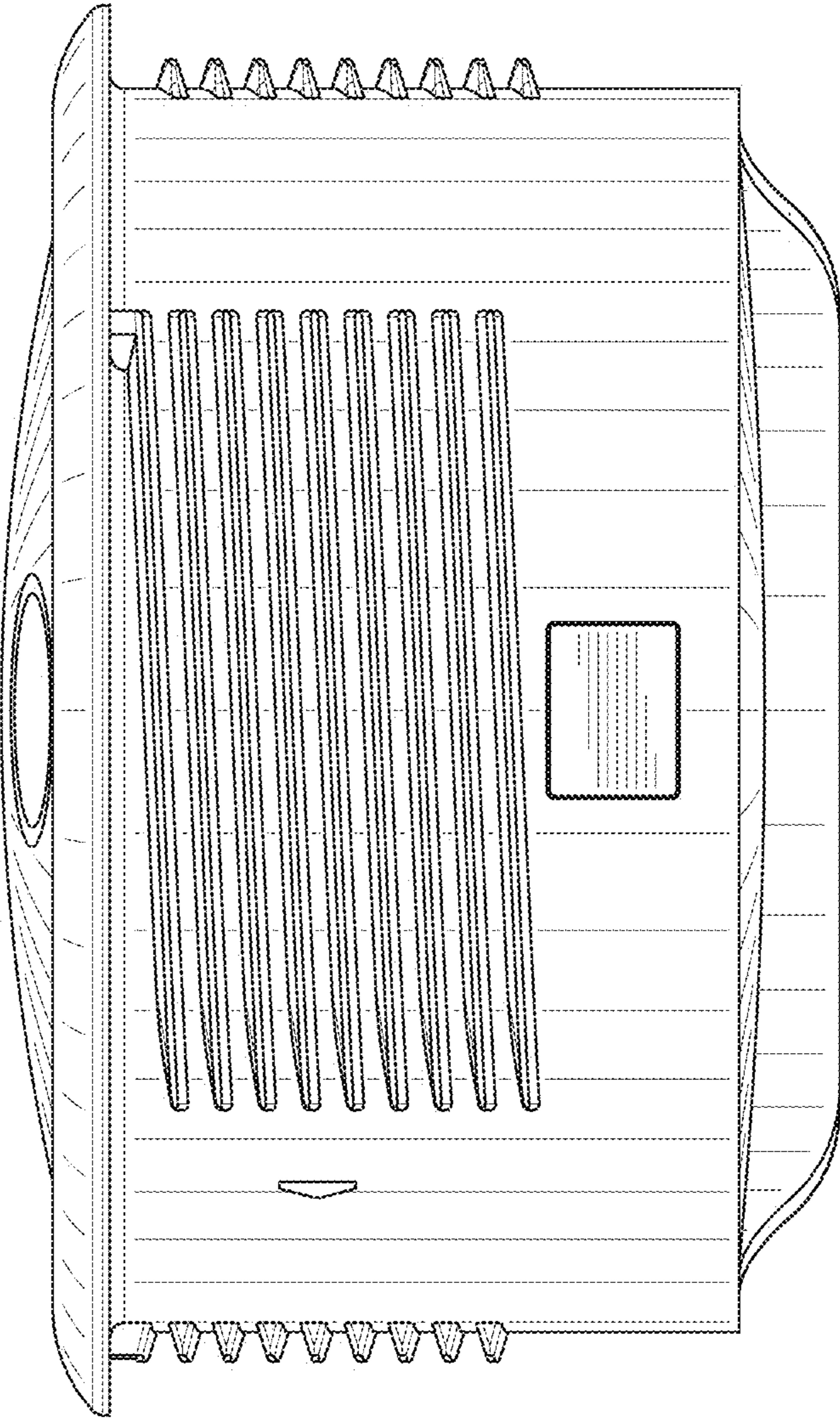


FIG. 4

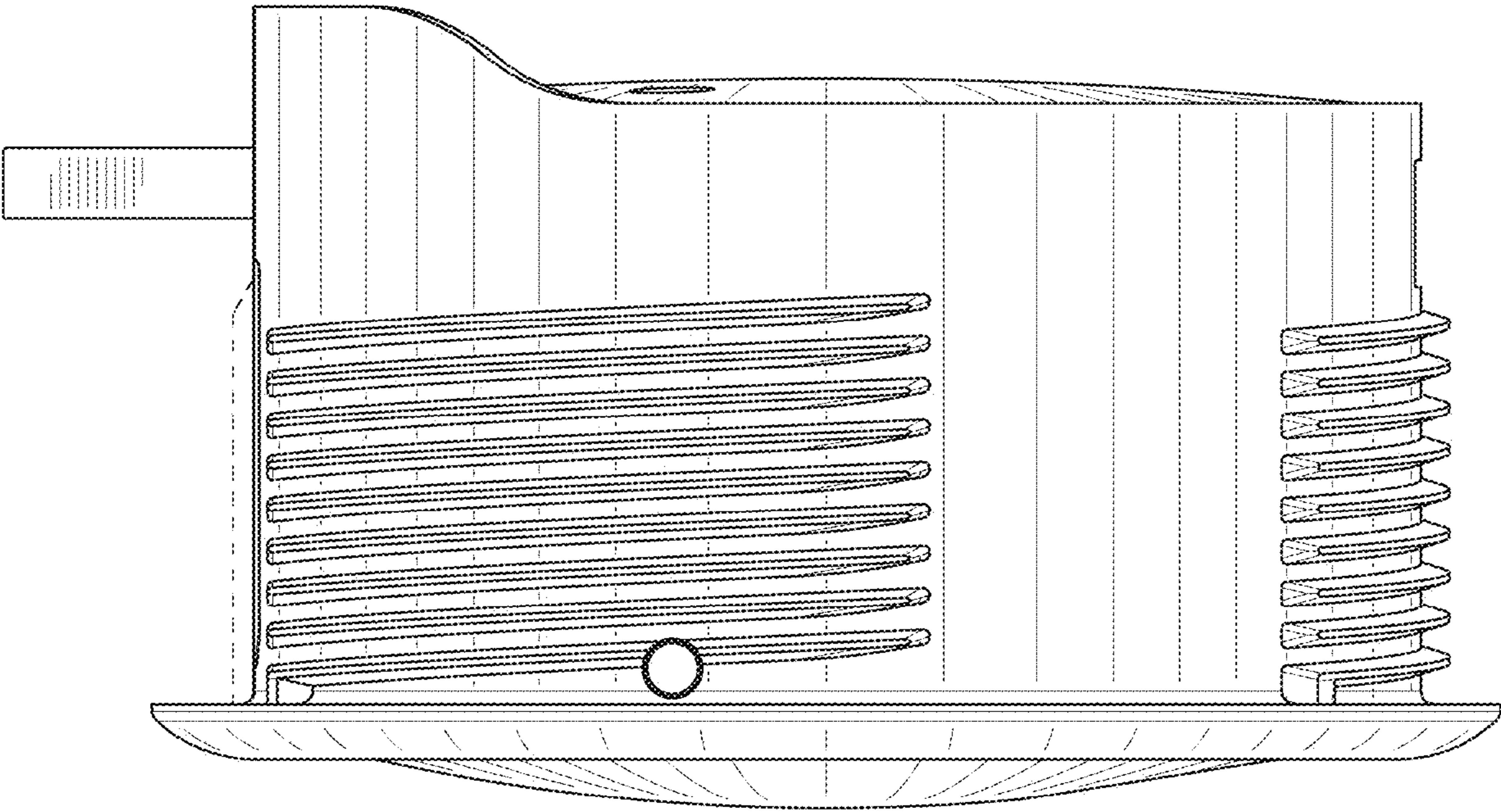


FIG. 5



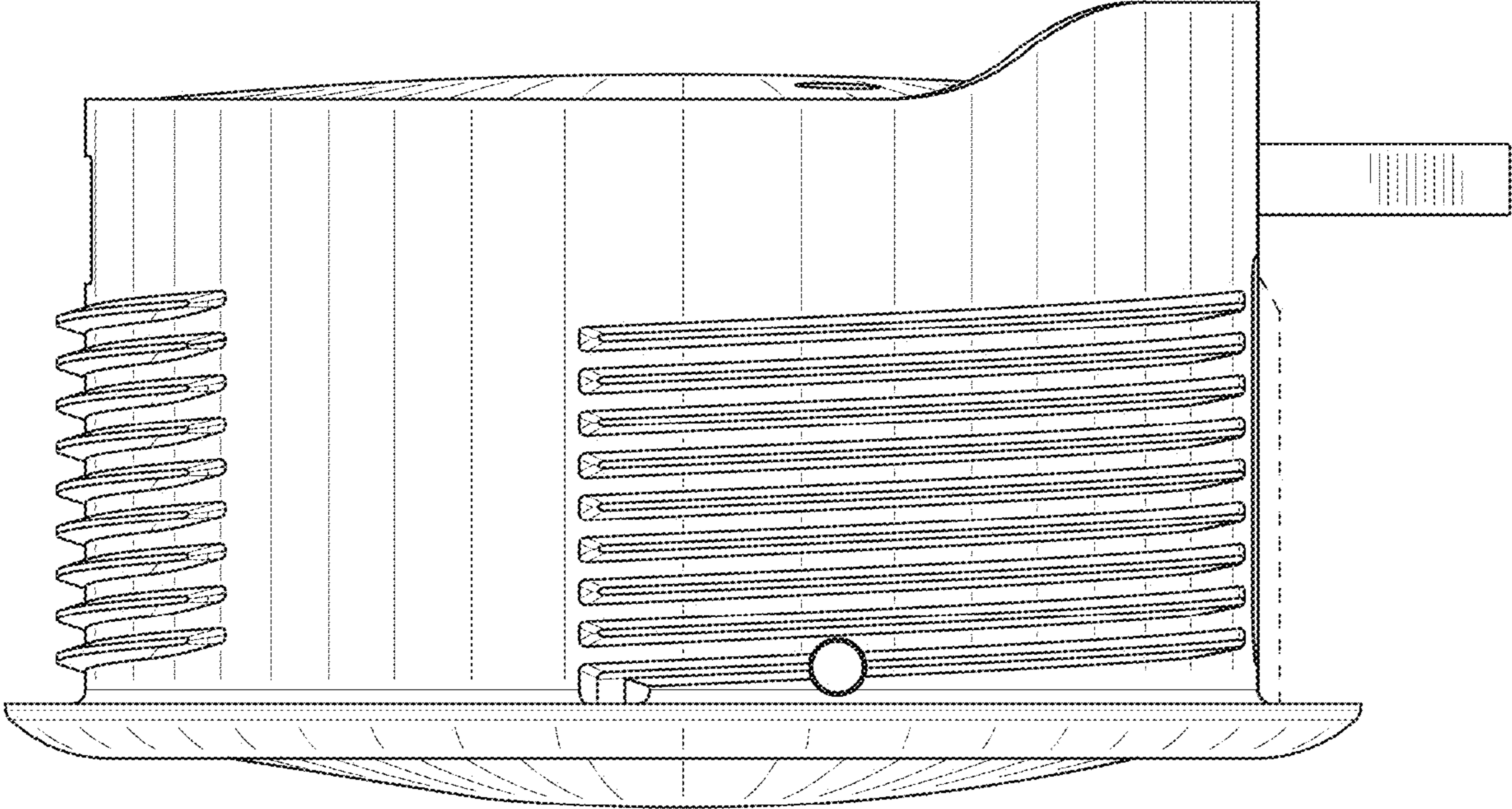


FIG. 6



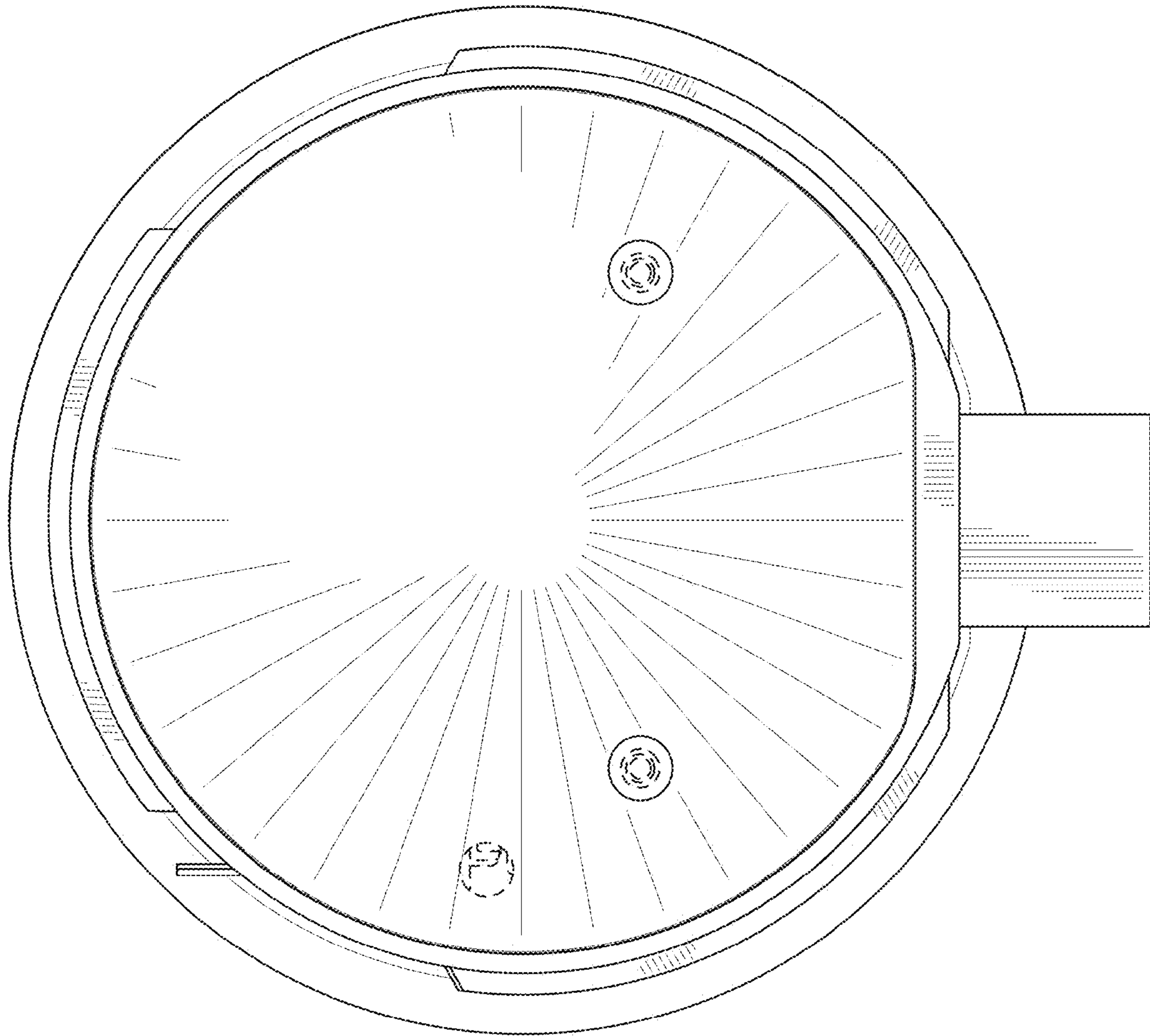


FIG. 7