



US00D938797S

(12) **United States Design Patent** (10) **Patent No.:** **US D938,797 S**  
**Kao** (45) **Date of Patent:** **\*\* Dec. 21, 2021**

(54) **MULTI-TOOL**

(71) Applicant: **Wen-Chun Kao**, Taipei (TW)

(72) Inventor: **Wen-Chun Kao**, Taipei (TW)

(\*\*) Term: **15 Years**

(21) Appl. No.: **29/739,299**

(22) Filed: **Jun. 24, 2020**

(51) **LOC (13) Cl.** ..... **08-05**

(52) **U.S. Cl.**  
USPC ..... **D8/105**

(58) **Field of Classification Search**  
USPC ..... D8/16-19, 105, 84, 85, 87, 356  
CPC ..... B67B 7/44  
See application file for complete search history.

(56) **References Cited**

**U.S. PATENT DOCUMENTS**

D266,479 S *	10/1982	Hayakawa .....	D8/17
D751,877 S *	3/2016	Shlaferman .....	D8/19
D772,678 S *	11/2016	Haarburger .....	D8/105
D792,749 S *	7/2017	Faro .....	D8/19
D799,301 S *	10/2017	Cetera .....	D8/105
D808,765 S *	1/2018	Kisling .....	D8/105
D815,932 S *	4/2018	Lee .....	D8/27
D815,935 S *	4/2018	Barak .....	D8/105
D817,196 S *	5/2018	Haarburger .....	D10/64
D824,800 S *	8/2018	Blume .....	D11/200
D827,408 S *	9/2018	Stefanczyk-Lacor .....	D8/105

D842,070 S *	3/2019	Kisling .....	D8/105
D866,276 S *	11/2019	Shlaferman .....	D8/19
D878,891 S *	3/2020	Polczynski .....	D8/105
D881,671 S *	4/2020	Kao .....	D8/105
D893,975 S *	8/2020	Tran .....	D8/105
D904,143 S *	12/2020	Hollinger .....	D8/19
2017/0035169 A1 *	2/2017	Haarburger .....	A45C 15/00
2017/0112248 A1 *	4/2017	Haarburger .....	A45C 11/182

\* cited by examiner

*Primary Examiner* — Janice Hallmark

(74) *Attorney, Agent, or Firm* — Karin L. Williams; Alan D. Kamrath; Mayer & Williams PC

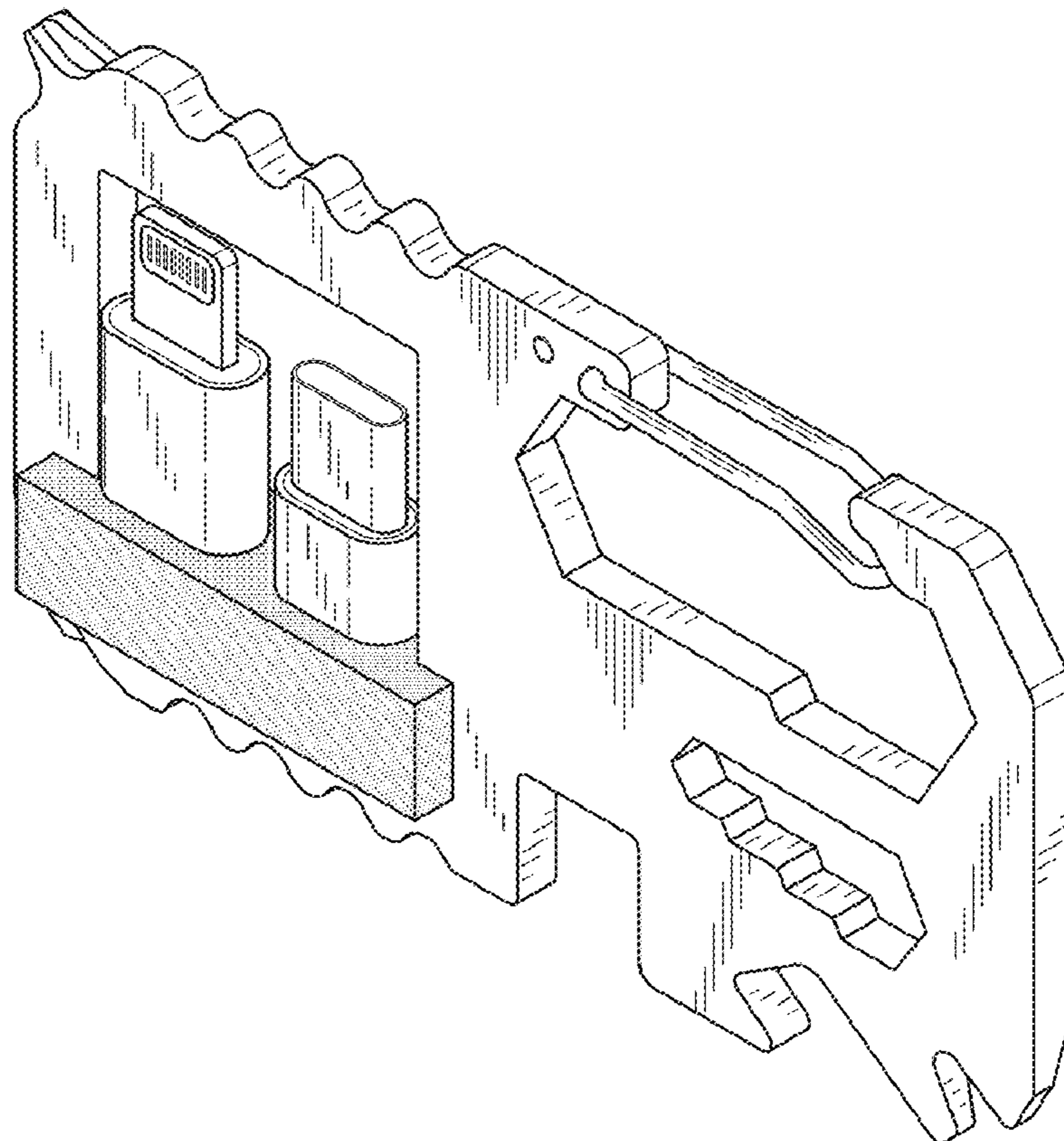
(57) **CLAIM**

The ornamental design for a multi-tool, as shown and described.

**DESCRIPTION**

FIG. 1 is a perspective view of a multi-tool showing my new design;  
FIG. 2 is a front view thereof;  
FIG. 3 is a rear view thereof;  
FIG. 4 is a left view thereof;  
FIG. 5 is a right view thereof;  
FIG. 6 is a top view thereof; and,  
FIG. 7 is a bottom view thereof.  
The stipple shading illustrates surfaces contrast in materials.

**1 Claim, 4 Drawing Sheets**



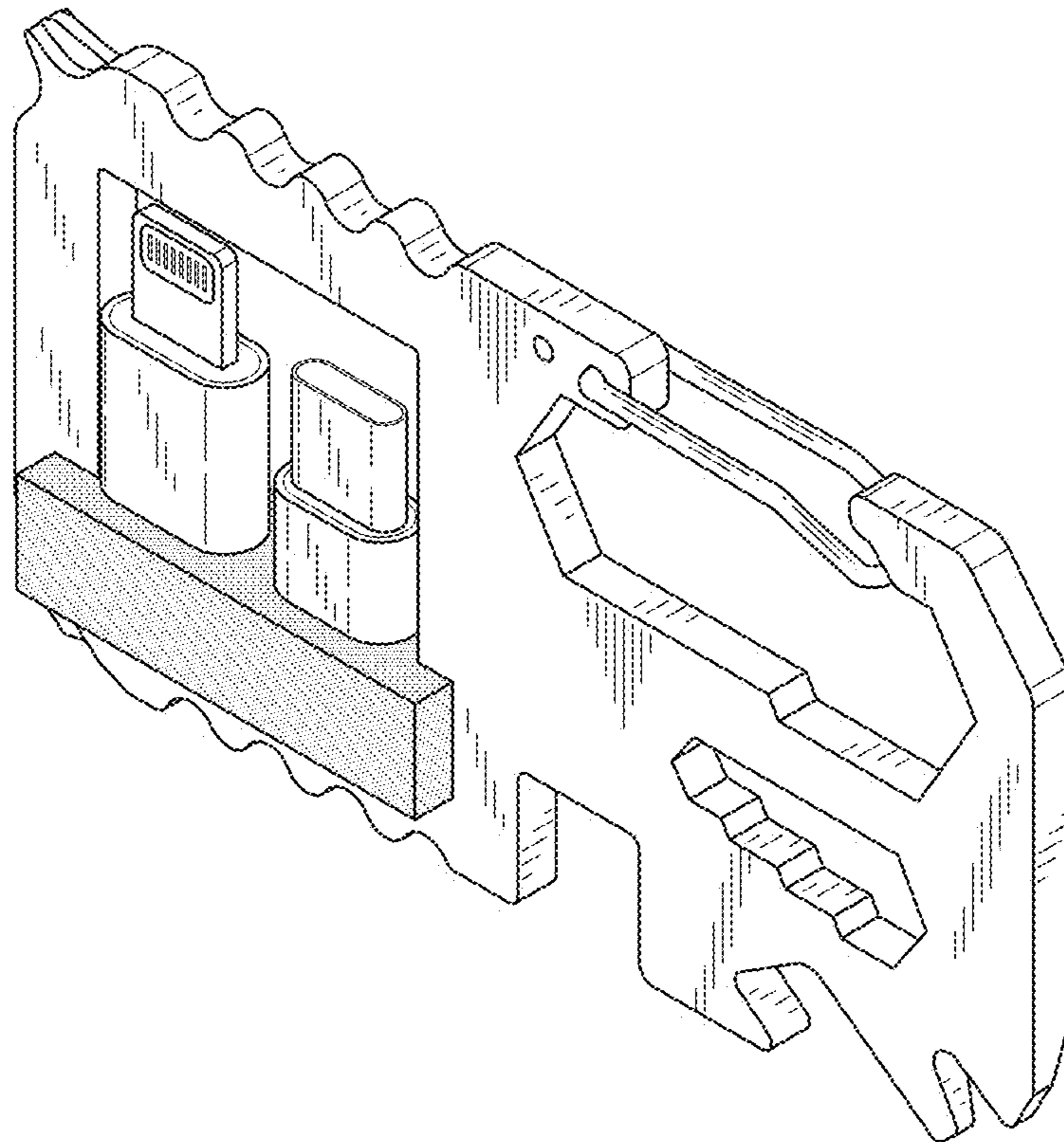


FIG. 1

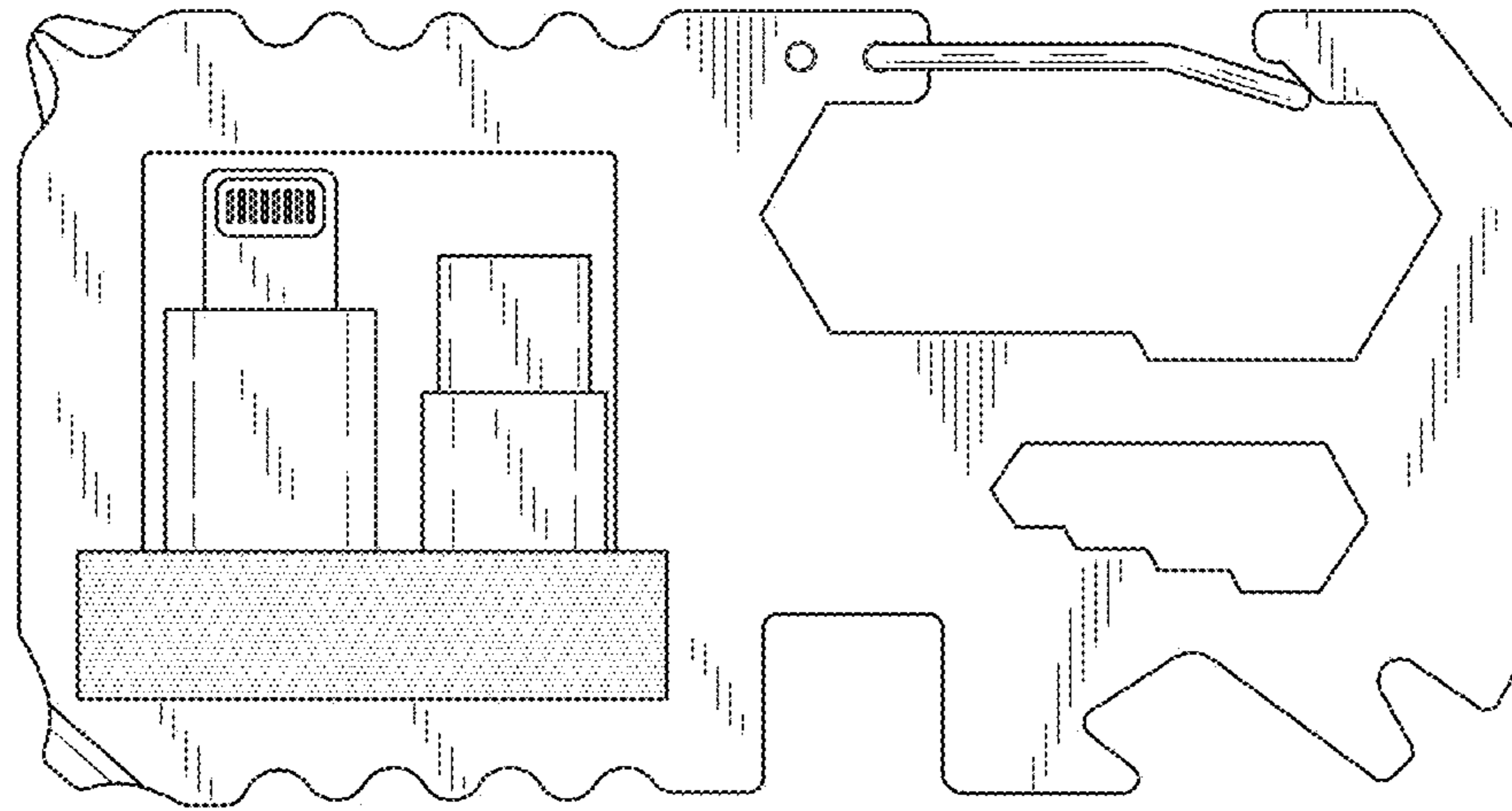


FIG. 2

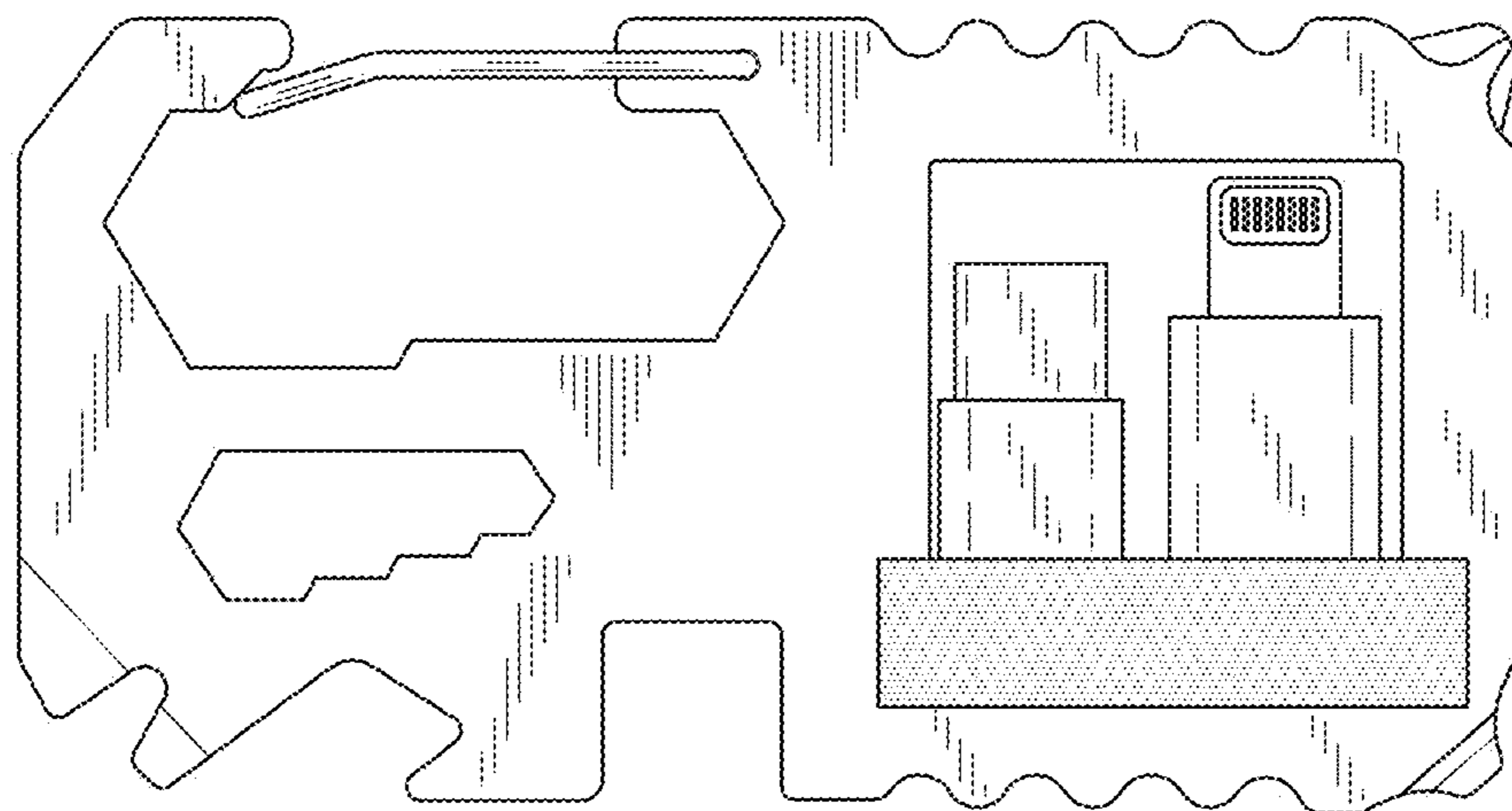


FIG. 3

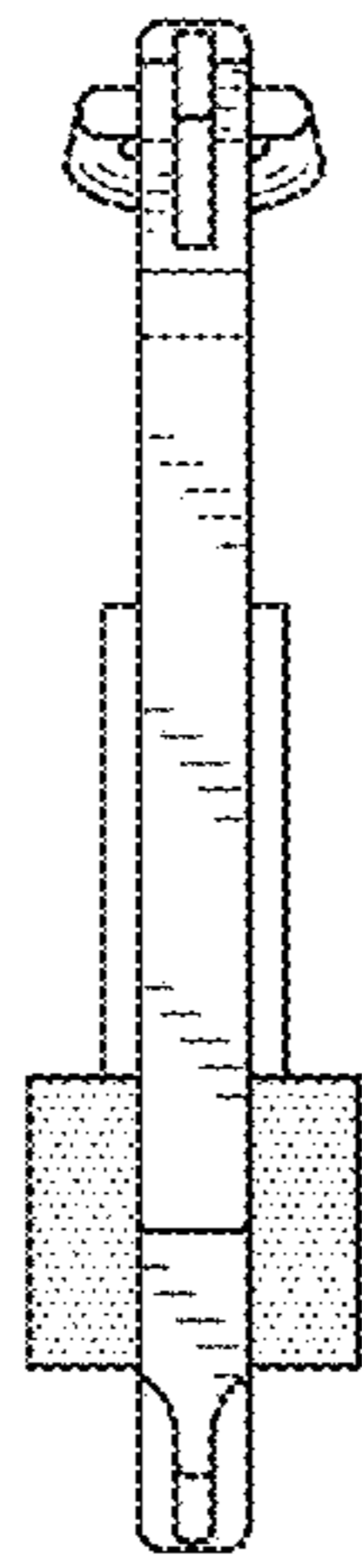


FIG. 4

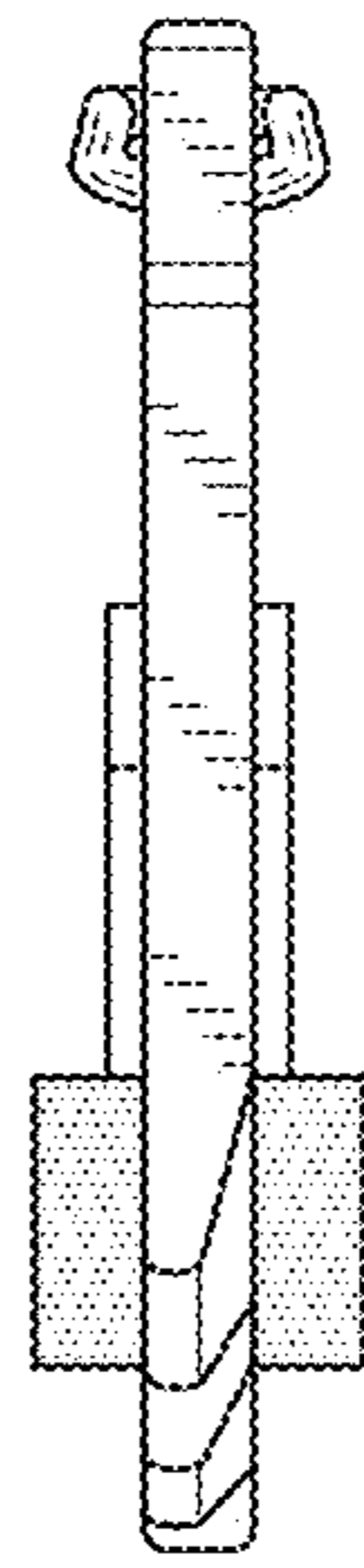


FIG. 5

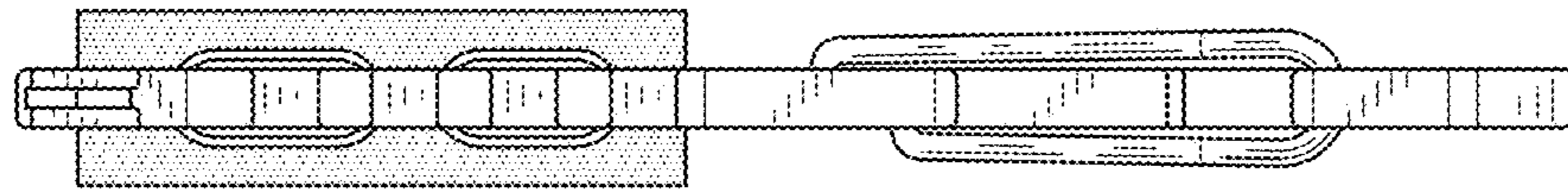


FIG. 6

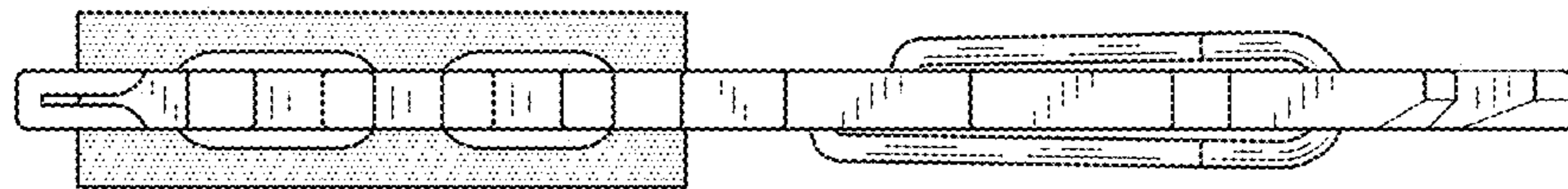


FIG. 7