

US00D938796S

(12) **United States Design Patent** (10) **Patent No.:** **US D938,796 S**
Walsh (45) **Date of Patent:** **** Dec. 21, 2021**

(54) MULTI-TOOL	8,713,735 B1 * 5/2014 Pelton B67B 7/44 7/138
(71) Applicant: Buhd Supply Corp. , Harbour Main (CA)	D707,091 S * 6/2014 Barr D8/16 D751,877 S * 3/2016 Shlaferman D8/19 D772,678 S * 11/2016 Haarbarger D8/105 D792,749 S * 7/2017 Faro D8/19 D799,301 S * 10/2017 Cetera D8/105 D805,873 S * 12/2017 Cetera D8/105 D808,765 S * 1/2018 Kisling D8/105 D817,196 S * 5/2018 Haarbarger D10/64 D824,800 S * 8/2018 Blume D11/200 D827,408 S * 9/2018 Stefanczyk-Lacor D8/105
(72) Inventor: John Murray Walsh , Harbour Main (CA)	10,206,473 B2 * 2/2019 Haarbarger A45C 13/001 D842,070 S * 3/2019 Kisling D8/105 D866,276 S * 11/2019 Shlaferman D8/19
(73) Assignee: BUHD SUPPLY CORP. , Harbour Main (CA)	10,512,316 B2 * 12/2019 Haarbarger A45C 15/00 D878,893 S * 3/2020 Kao D8/105
(**) Term: 15 Years	
(21) Appl. No.: 29/715,754	

(22) Filed: **Dec. 4, 2019**

(51) **LOC (13) Cl.** **08-05**

(52) **U.S. Cl.**
USPC **D8/105**; D8/19; D27/195

(58) **Field of Classification Search**
USPC D8/105, 38, 55, 14-19, 21, 53, 100, 103,
D8/26, 34, 87, 99, 356, 28, 70-71;
D3/210; D27/194, 195
CPC .. B25B 15/008; B25F 1/00; B25F 1/02; B25F
1/04; F16B 45/02; A47J 43/25; A47J
42/34; A47J 42/14; A47J 43/255; A24F
15/18; A24F 23/02; B02C 19/20; B67B
7/44

See application file for complete search history.

(56) **References Cited**

U.S. PATENT DOCUMENTS

D266,479 S *	10/1982	Hayakawa	D8/17
4,529,111 A *	7/1985	Hayakawa	A44B 11/005 224/163
8,162,784 B1 *	4/2012	Bellefeuille	F41B 3/02 473/583
D669,746 S *	10/2012	Scharf	D7/678
D669,747 S *	10/2012	Scharf	A47J 43/25 D7/678
D685,620 S *	7/2013	Wysoczynski	D8/40

8,713,735 B1 *	5/2014	Pelton	B67B 7/44 7/138
D707,091 S *	6/2014	Barr	D8/16
D751,877 S *	3/2016	Shlaferman	D8/19
D772,678 S *	11/2016	Haarbarger	D8/105
D792,749 S *	7/2017	Faro	D8/19
D799,301 S *	10/2017	Cetera	D8/105
D805,873 S *	12/2017	Cetera	D8/105
D808,765 S *	1/2018	Kisling	D8/105
D817,196 S *	5/2018	Haarbarger	D10/64
D824,800 S *	8/2018	Blume	D11/200
D827,408 S *	9/2018	Stefanczyk-Lacor	D8/105
10,206,473 B2 *	2/2019	Haarbarger	A45C 13/001
D842,070 S *	3/2019	Kisling	D8/105
D866,276 S *	11/2019	Shlaferman	D8/19
10,512,316 B2 *	12/2019	Haarbarger	A45C 15/00
D878,893 S *	3/2020	Kao	D8/105

(Continued)

Primary Examiner — Janice Hallmark

(74) *Attorney, Agent, or Firm* — Bereskin & Parr LLP

(57) **CLAIM**

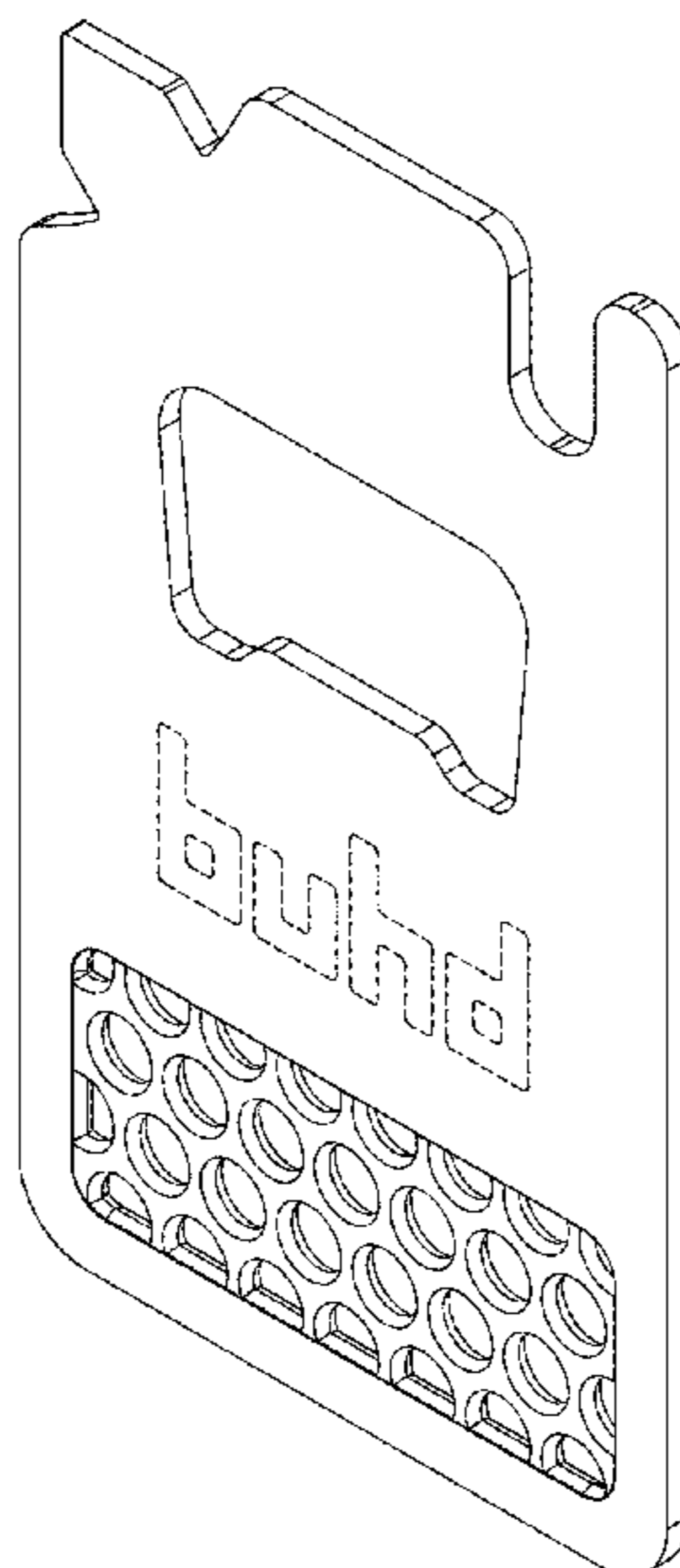
The ornamental design for a multi-tool, as shown and described.

DESCRIPTION

FIG. 1 is an isometric view of the multi-tool in accordance with my design;
FIG. 2 is a front elevation view of the multi-tool of FIG. 1;
FIG. 3 is a rear elevation view of the multi-tool of FIG. 1;
FIG. 4 is a left side elevation view of the multi-tool of FIG. 1;
FIG. 5 is a right side elevation view of the multi-tool of FIG. 1;
FIG. 6 is a bottom plan view of the multi-tool of FIG. 1; and,
FIG. 7 is a top plan view of the multi-tool of FIG. 1.

The portions of the multi-tool shown in broken lines form no part of the claimed design.

1 Claim, 4 Drawing Sheets



(56)

References Cited

U.S. PATENT DOCUMENTS

D893,975 S * 8/2020 Tran D8/105
D904,143 S * 12/2020 Hollinger D8/19
2012/0187231 A1* 7/2012 Scharf A47J 43/25
241/95
2013/0048769 A1* 2/2013 Scharf A47J 43/25
241/95
2013/0214073 A1* 8/2013 Scharf A47J 43/25
241/95
2014/0143958 A1* 5/2014 Barr B25F 1/00
7/138
2017/0020342 A1* 1/2017 Wein A47J 43/255
2019/0174958 A1* 6/2019 Guetta A24F 23/02
2020/0085241 A1* 3/2020 Scharf A47J 42/34

* cited by examiner

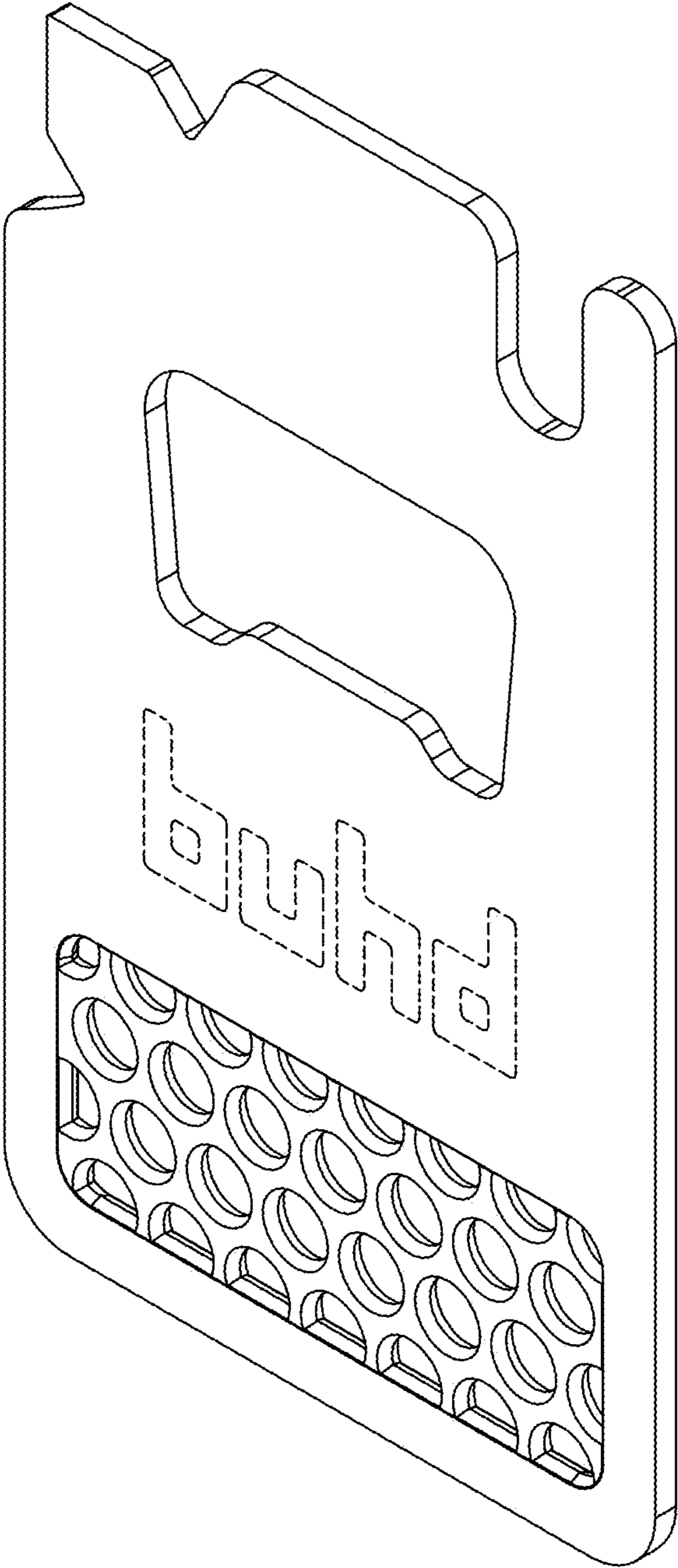


Fig. 1

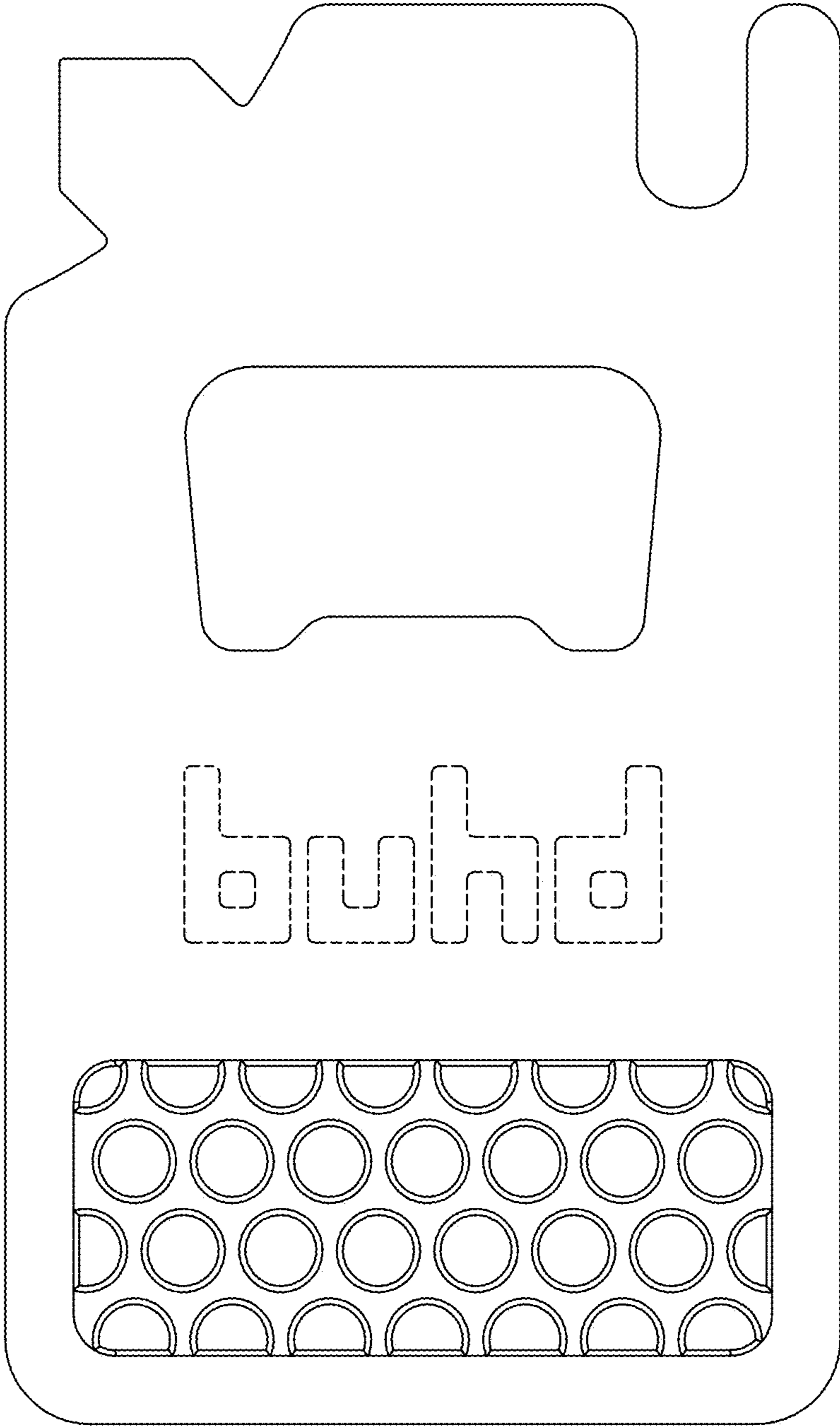


Fig. 2

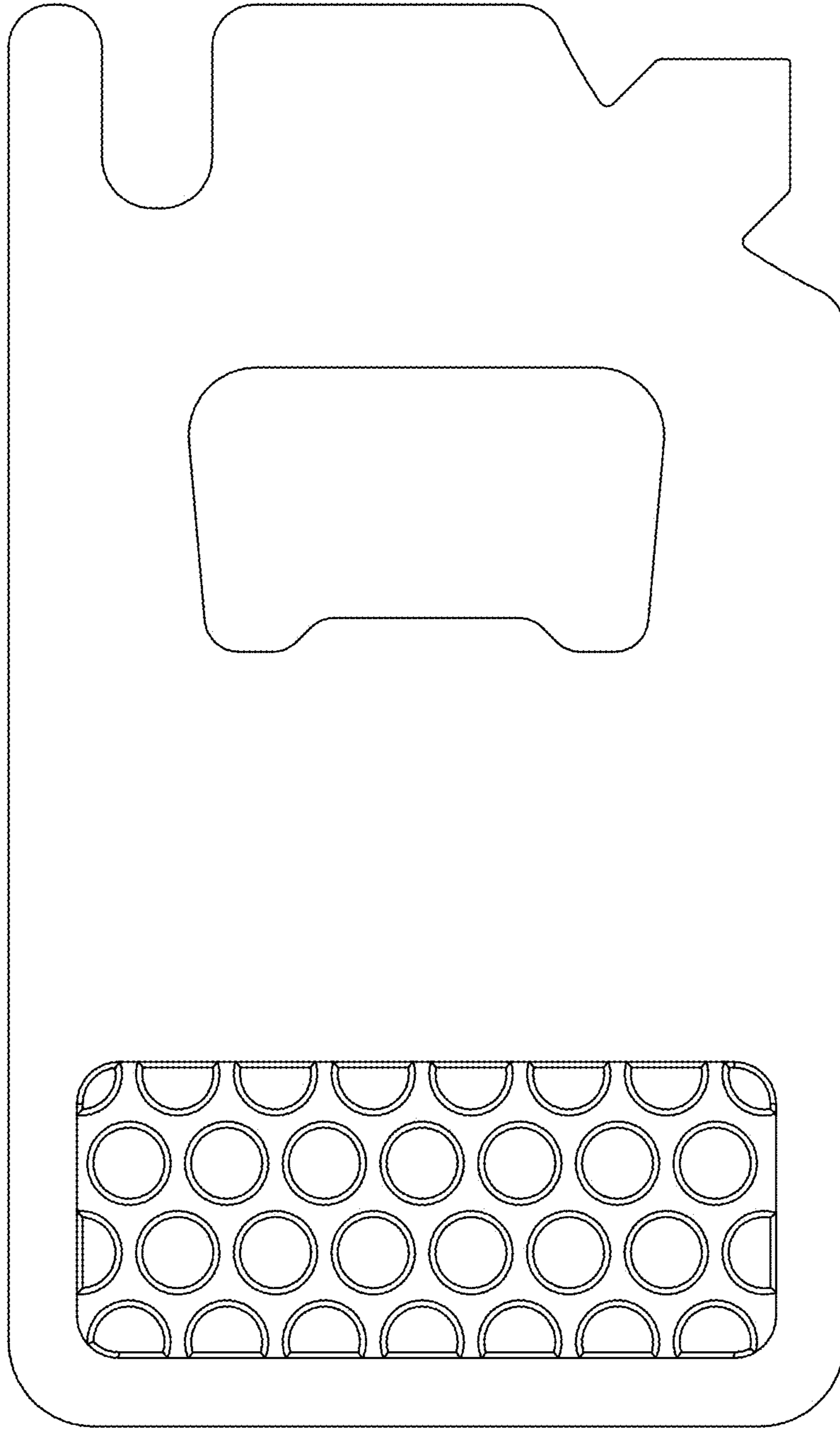


Fig. 3



Fig. 4



Fig. 5

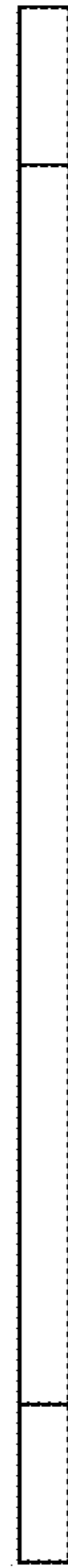


Fig. 6

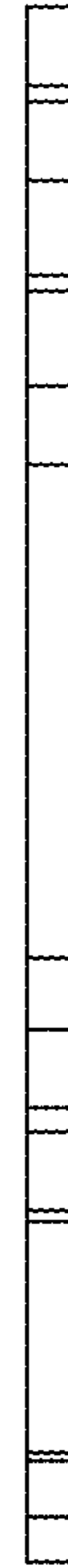


Fig. 7