



US00D938795S

(12) **United States Design Patent**  
**Lipscomb et al.**

(10) **Patent No.:** **US D938,795 S**

(45) **Date of Patent:** **\*\* Dec. 21, 2021**

(54) **SANDING BLOCK**

(71) Applicant: **Fiskars Finland Oy Ab**, Helsinki (FI)

(72) Inventors: **Dan Lipscomb**, Middleton, WI (US);  
**Stephen Dechant**, Waunakee, WI (US);  
**Brian Rojas-Edge**, Madison, WI (US);  
**James Meiller**, Fitchburg, WI (US)

(73) Assignee: **FISKARS FINLAND OY AB**, Helsinki (FI)

(\*\*) Term: **15 Years**

(21) Appl. No.: **29/735,351**

(22) Filed: **May 20, 2020**

(51) **LOC (13) Cl.** ..... **08-05**

(52) **U.S. Cl.**  
USPC ..... **D8/90**

(58) **Field of Classification Search**  
USPC ..... D8/14, 90, 91, 92, 93; D32/40; D28/59  
CPC ..... B24D 15/02; B24D 15/023; B24D 15/04;  
B24D 18/0009; B24D 15/00  
See application file for complete search history.

(56) **References Cited**

**U.S. PATENT DOCUMENTS**

5,899,210	A *	5/1999	Letherby .....	A45D 29/04 132/76.4
D475,808	S *	6/2003	Jancik .....	D28/59
D497,220	S *	10/2004	Torkiya .....	D28/59
D656,808	S *	4/2012	Arvinte .....	D8/90

D753,457	S *	4/2016	Hurt .....	D8/90
2001/0000503	A1 *	4/2001	Beaudry .....	B24D 15/023 451/523
2005/0081870	A1 *	4/2005	Jancik .....	A45D 29/18 132/76.4
2006/0135049	A1 *	6/2006	Petersen .....	B24D 15/04 451/495
2009/0047882	A1 *	2/2009	Collins .....	B24D 15/02 451/524

\* cited by examiner

*Primary Examiner* — Philip S Hyder

(74) *Attorney, Agent, or Firm* — Leason Ellis LLP

(57) **CLAIM**

The ornamental design for a sanding block, as shown and described.

**DESCRIPTION**

FIG. 1 is a front-right perspective view of our sanding block according to the First Embodiment of our new design; FIG. 2 is a front-left perspective view thereof; FIG. 3 is a front-right bottom perspective thereof; FIG. 4 is a front-left bottom perspective view thereof; FIG. 5 is a front view thereof; FIG. 6 is a rear view thereof; FIG. 7 is right-side view thereof; FIG. 8 is a left-side view thereof; FIG. 9 is a top plan view thereof; and, FIG. 10 is a bottom plan view thereof.

Conventional shading is illustrated for purposes of highlighting the line drawings, but forms no part of the claimed design.

**1 Claim, 10 Drawing Sheets**

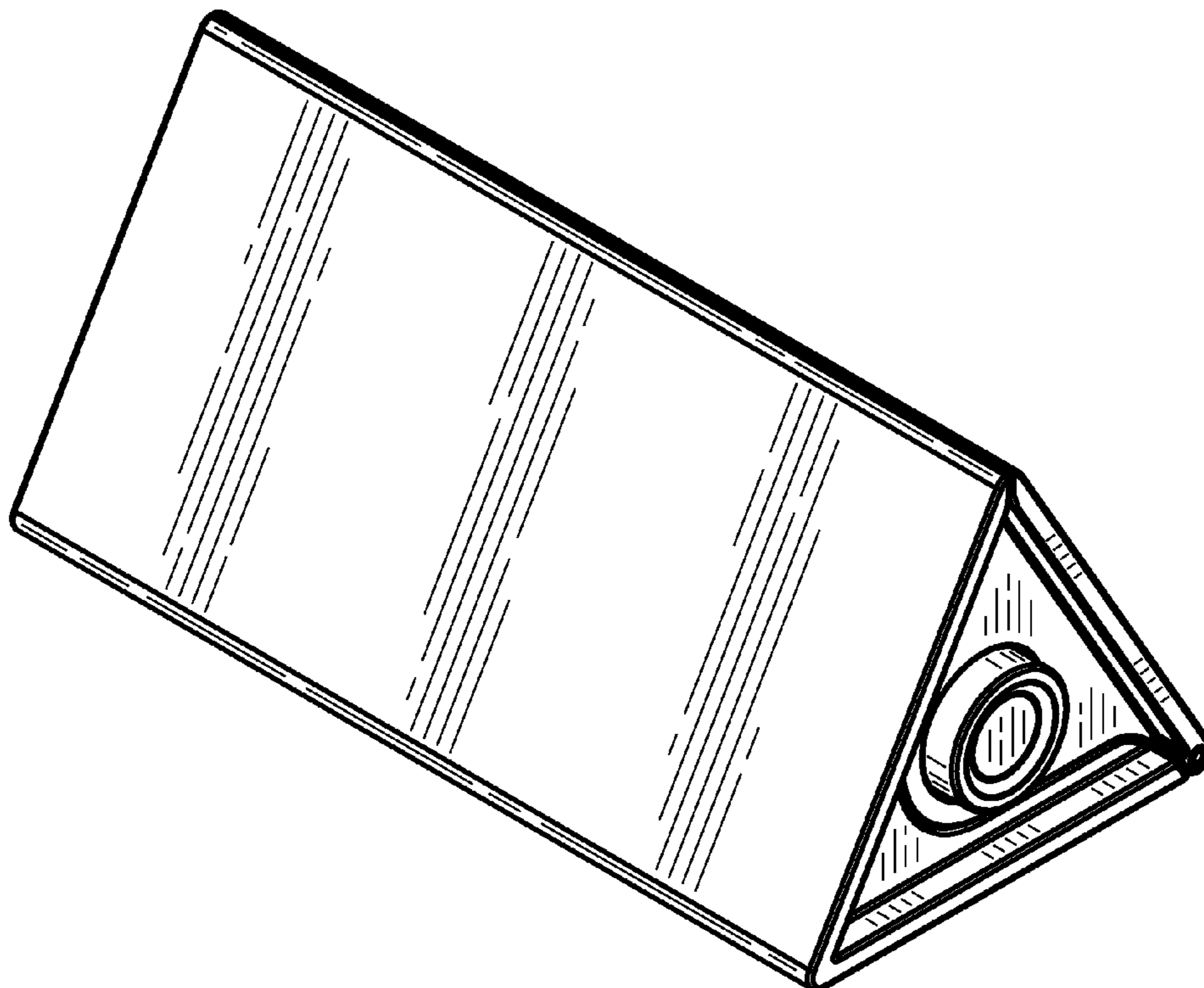


FIG. 1

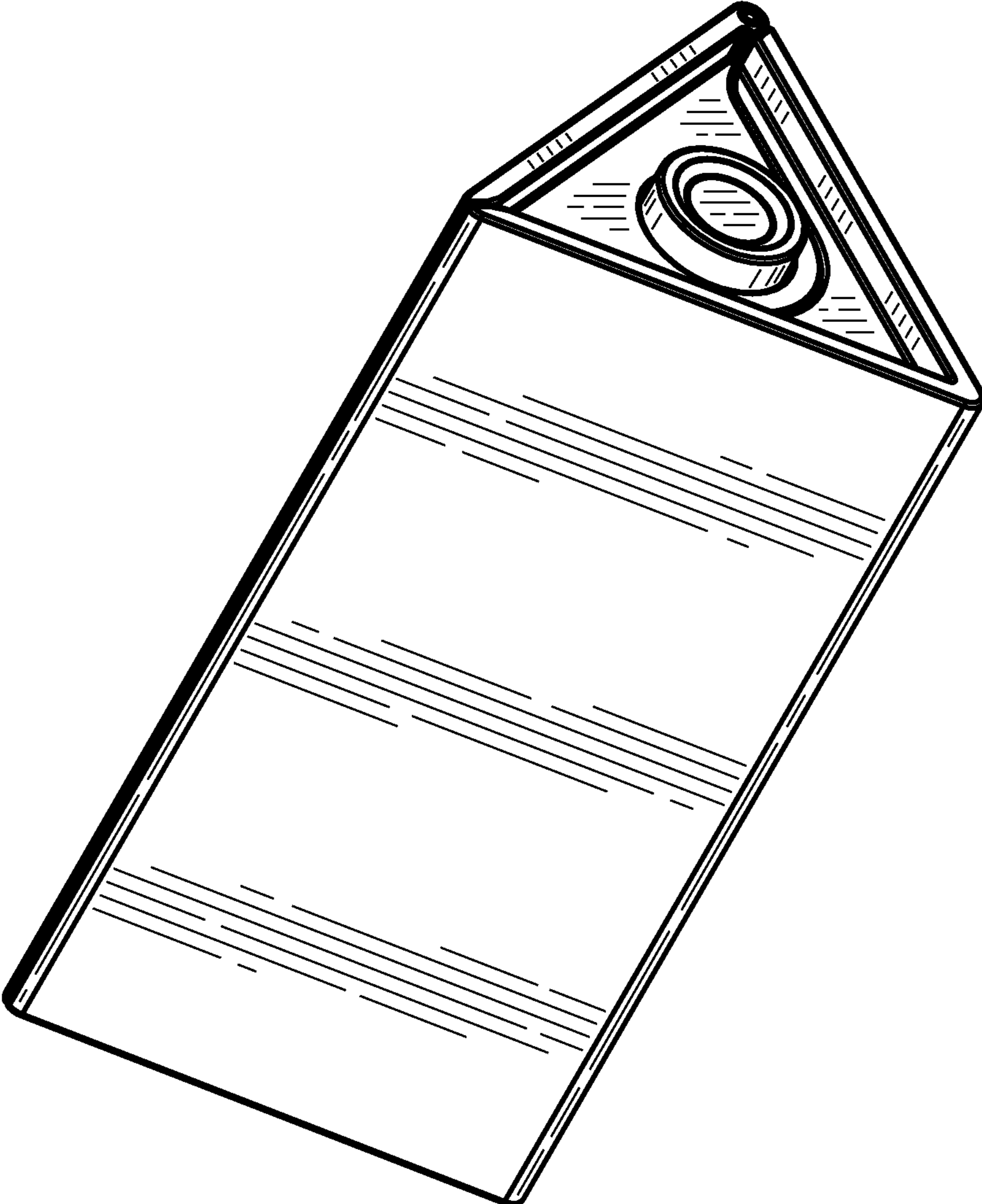
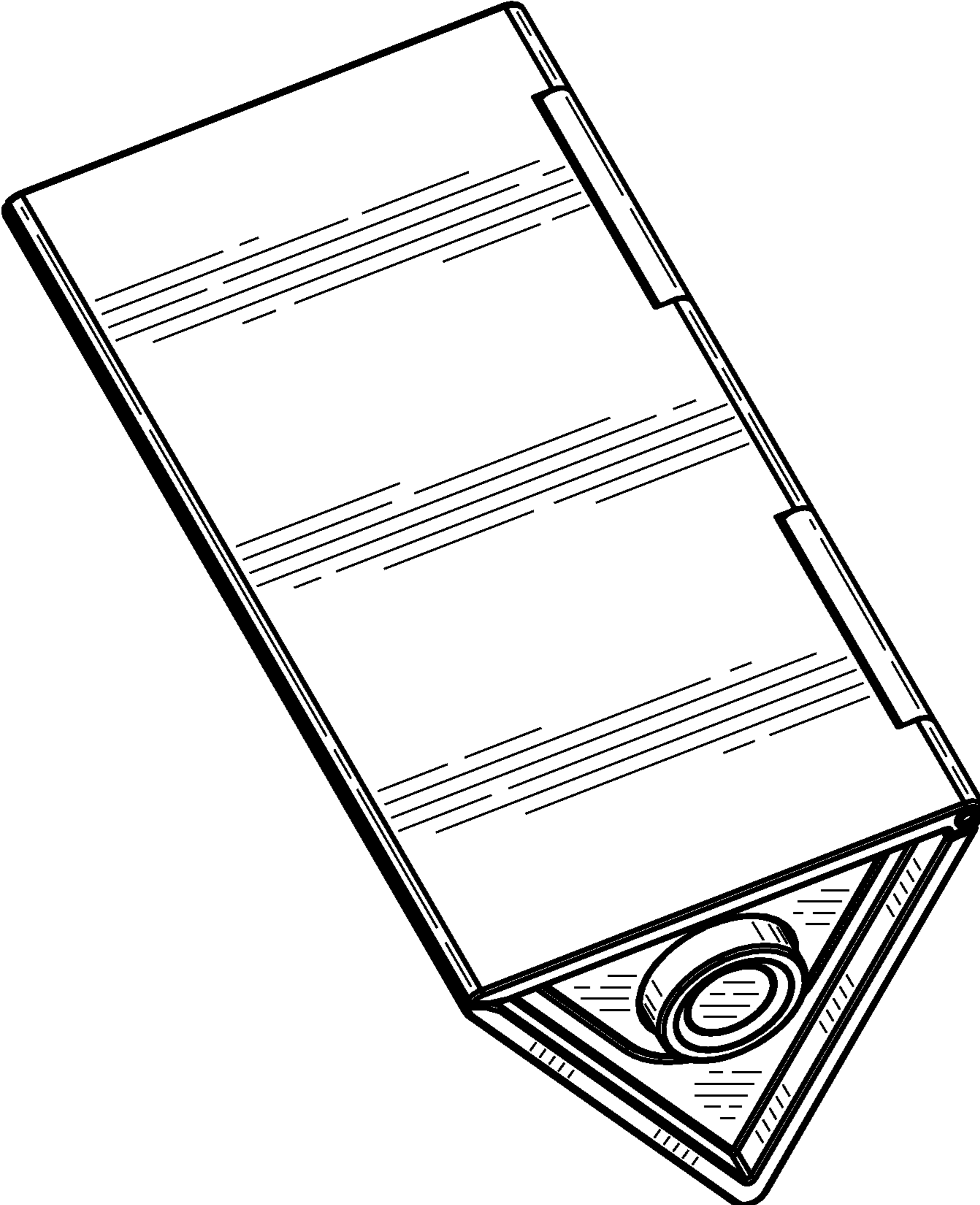


FIG. 2



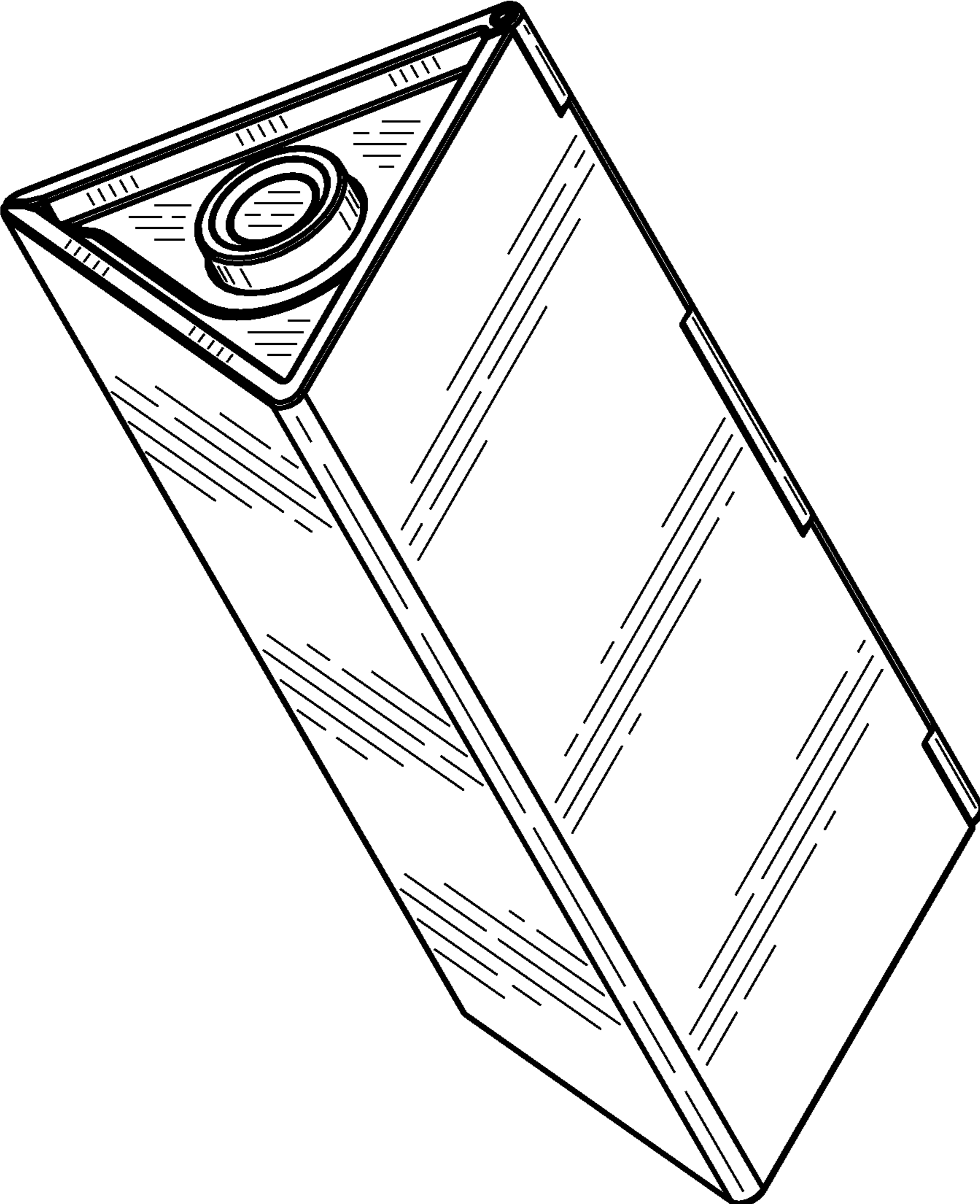


FIG. 3

FIG. 4

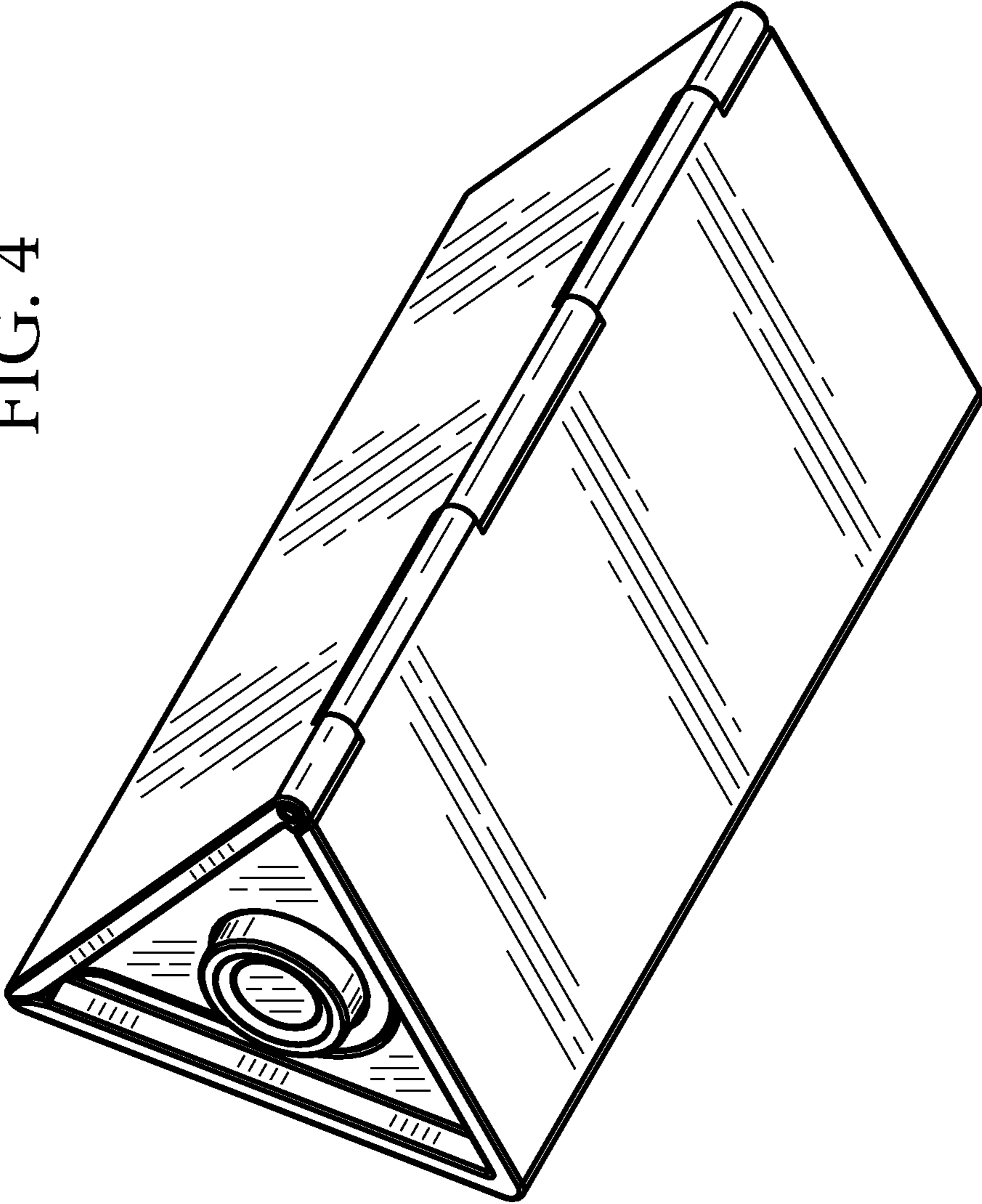


FIG. 5

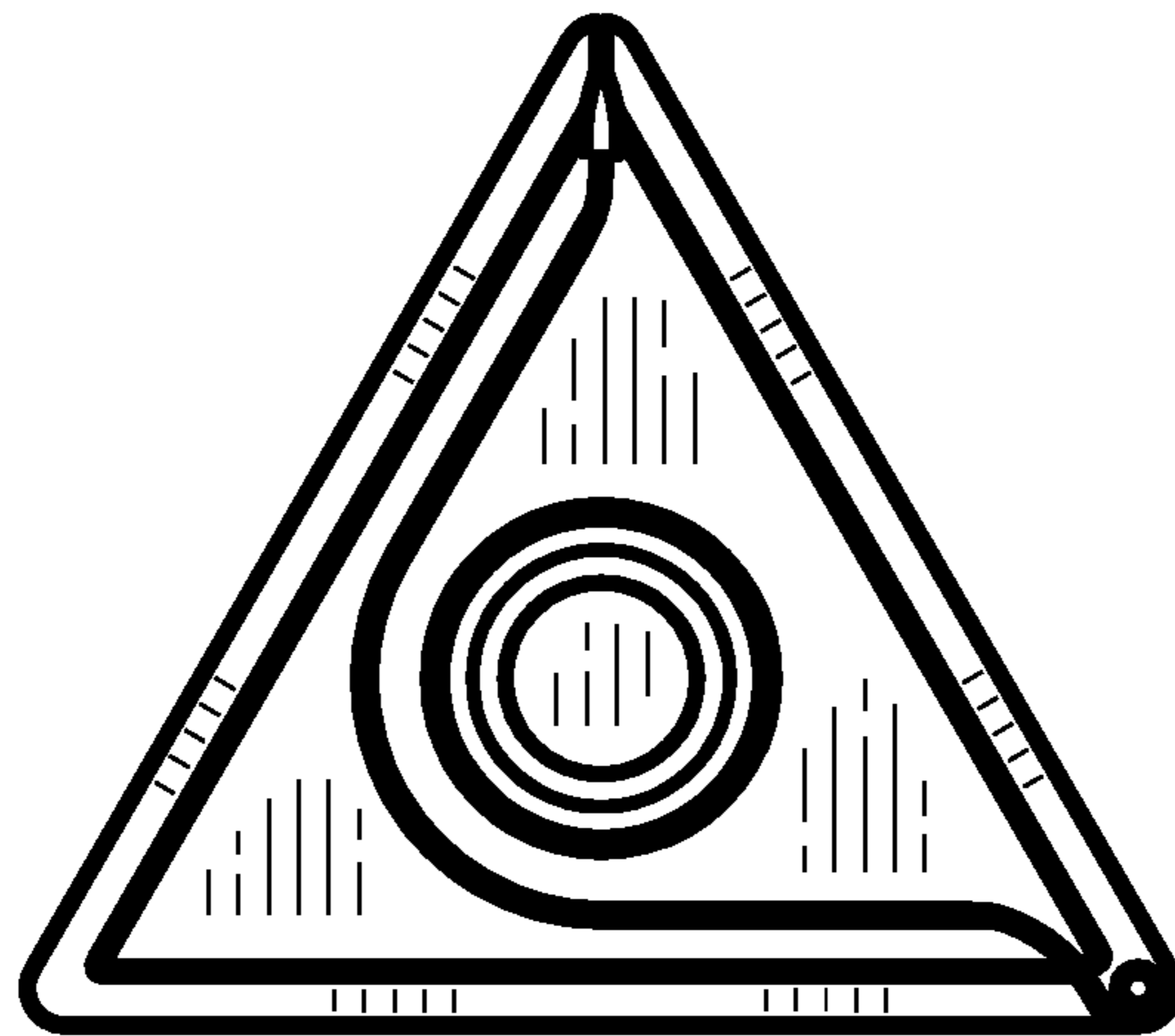


FIG. 6

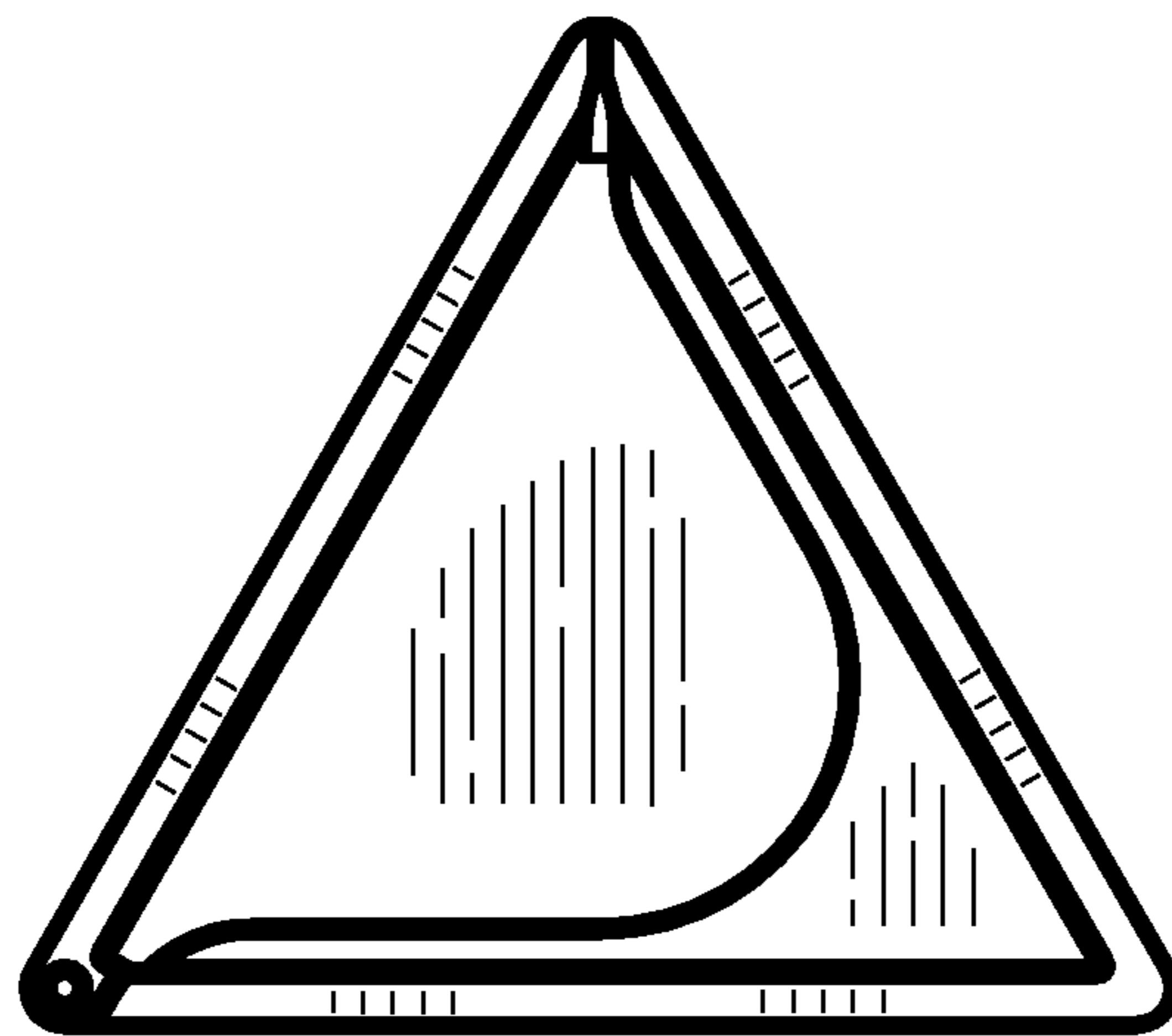


FIG. 7

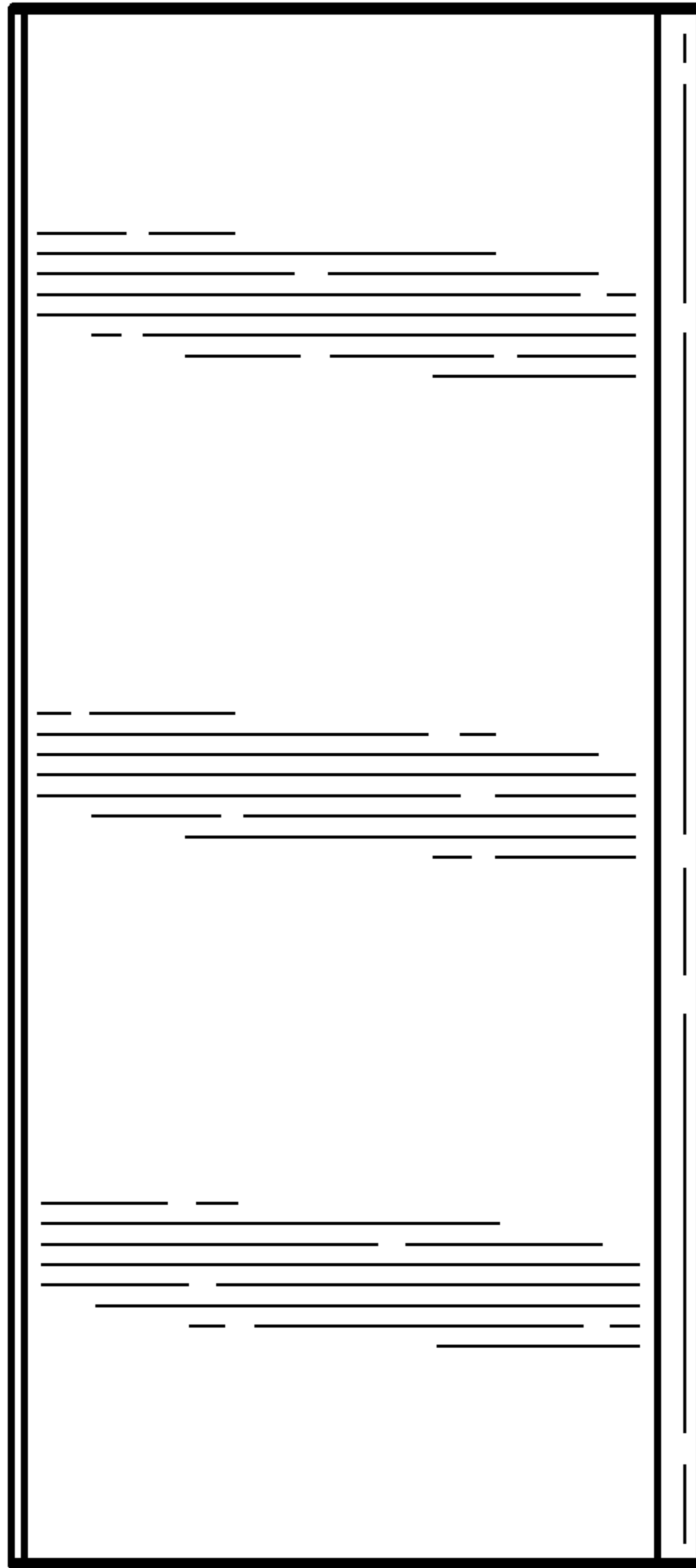




FIG. 8

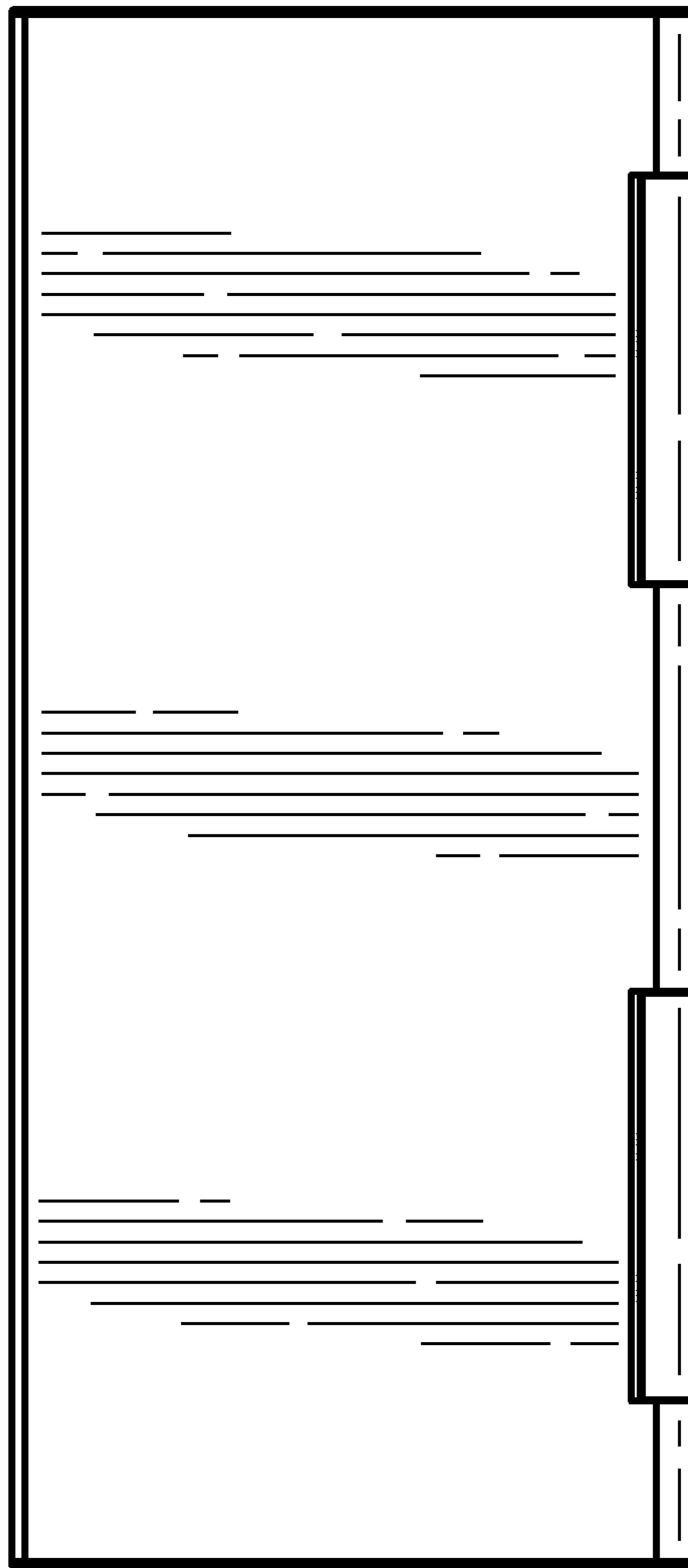


FIG. 9

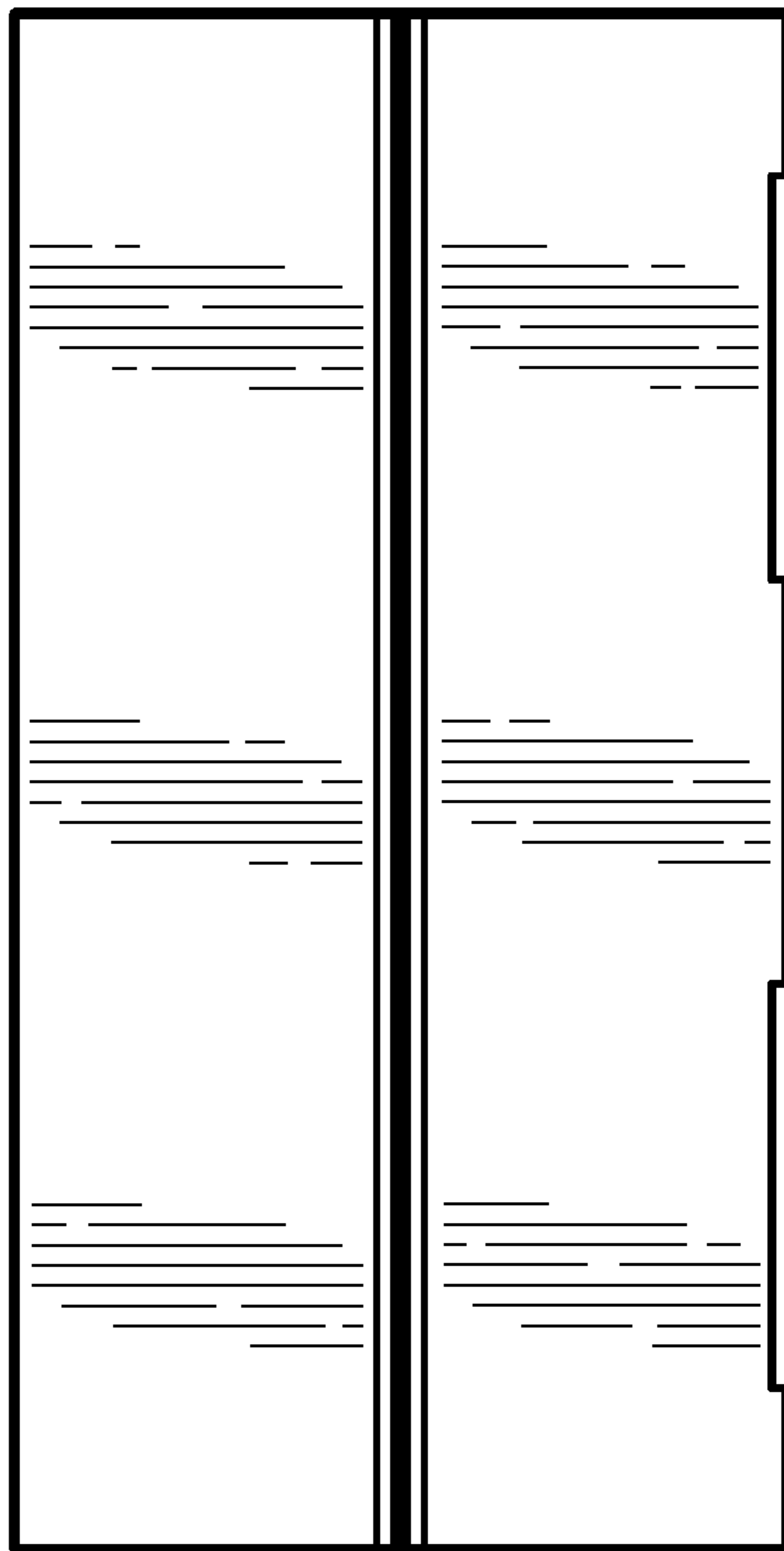


FIG. 10

