



US00D938794S

(12) **United States Design Patent** (10) **Patent No.:** **US D938,794 S**
Eggink (45) **Date of Patent:** **** Dec. 21, 2021**

(54) **TOOL STAND**

(71) Applicant: **Kevin Eggink**, Glenwood City, WI (US)

(72) Inventor: **Kevin Eggink**, Glenwood City, WI (US)

(**) Term: **15 Years**

(21) Appl. No.: **29/700,485**

(22) Filed: **Aug. 2, 2019**

(51) **LOC (13) Cl.** **08-05**

(52) **U.S. Cl.**
USPC **D8/71**

(58) **Field of Classification Search**
USPC D14/199; D4/116, 199, 131, 108-109;
D8/385, 397, 388, 402, 71; D32/35, 51;
D28/65; D7/682

(Continued)

(56) **References Cited**

U.S. PATENT DOCUMENTS

490,472 A * 1/1893 Clements A46B 15/0055
15/111
D74,227 S * 1/1928 Johnson D8/402
(Continued)

OTHER PUBLICATIONS

Greenfield Stabilizer Rear Mount Alloy ATB Kickstand, Date Visited: Apr. 16, 2021, Amazon, Date Available: Nov. 17, 2009, <https://www.amazon.com/Greenfield-SKS2-Rear-Mounted-Bicycle-Kickstand/dp/B000AOA434?th=1> (Year: 2009).*

(Continued)

Primary Examiner — Sandra Snapp

Assistant Examiner — Elizabeth S Ko

(74) *Attorney, Agent, or Firm* — Skinner and Associates; Joel D. Skinner, Jr.

(57) **CLAIM**

The ornamental design for a tool stand, as shown and described.

DESCRIPTION

FIG. 1 is a perspective view of a first embodiment of a tool stand showing the design of the invention.

FIG. 2 is a front view thereof.

FIG. 3 is a rear view thereof.

FIG. 4 is a side view thereof, the opposite side being a mirror image.

FIG. 5 is a top view thereof.

FIG. 6 is a bottom view thereof.

FIG. 7 is another perspective view thereof showing the tool stand in use, when standing.

FIG. 8 is a perspective view of a second embodiment of a tool stand, showing the design.

FIG. 9 is a front view thereof.

FIG. 10 is a rear view thereof.

FIG. 11 is a side view thereof, the opposite side being a mirror image.

FIG. 12 is a top view thereof.

FIG. 13 is a bottom view thereof.

FIG. 14 is another perspective view thereof, showing the tool stand in use, when standing.

FIG. 15 is a perspective view of a third embodiment of a tool stand, showing the design.

FIG. 16 is a front view thereof.

FIG. 17 is a rear view thereof.

FIG. 18 is a side view thereof, the opposite side being a mirror image.

FIG. 19 is a top view thereof.

FIG. 20 is a bottom view thereof.

FIG. 21 is another perspective view thereof showing the tool stand in use, when standing.

FIG. 22 is a perspective view of a fourth embodiment of a tool stand, showing the design.

(Continued)

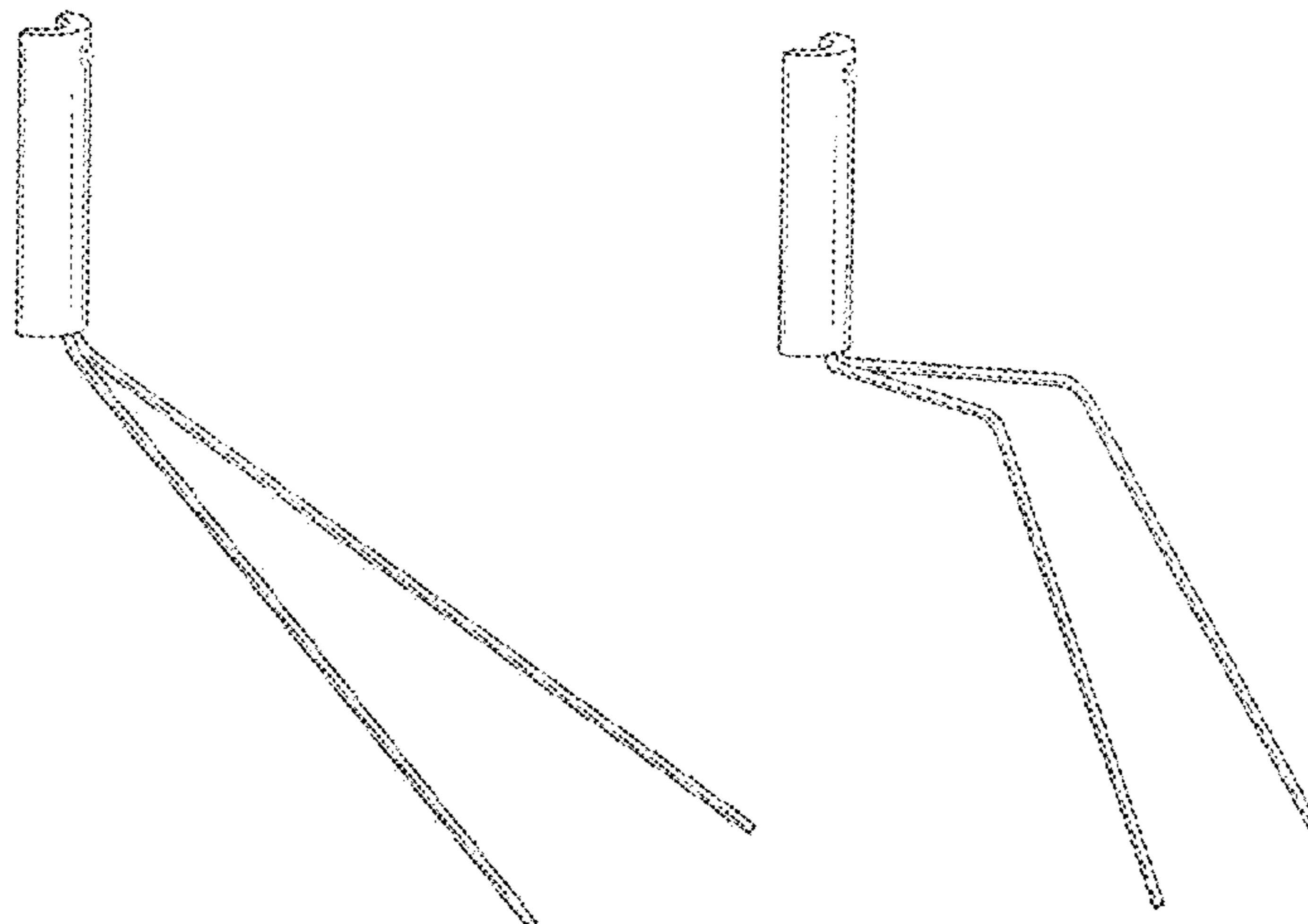


FIG. 23 is a front view thereof.
 FIG. 24 is a rear view thereof.
 FIG. 25 is a side view thereof, the opposite side being a mirror image.
 FIG. 26 is a top view thereof.
 FIG. 27 is a bottom view thereof.
 FIG. 28 is another perspective view thereof showing the tool stand in use, when standing.
 FIG. 29 is a perspective view of a fifth embodiment of a tool stand, showing of the design.
 FIG. 30 is a front view thereof.
 FIG. 31 is a rear view thereof.
 FIG. 32 is a side view thereof, the opposite side being a mirror image.
 FIG. 33 is a top view thereof.
 FIG. 34 is a bottom view thereof.
 FIG. 35 is another perspective view thereof, showing the tool stand in use when standing.
 FIG. 36 is a perspective view of a sixth embodiment of a tool stand, showing the design.
 FIG. 37 is a front view thereof.
 FIG. 38 is a rear view thereof.
 FIG. 39 is a side view thereof, the opposite side being a mirror image.
 FIG. 40 is a top view thereof.
 FIG. 41 is a bottom view thereof.
 FIG. 42 is another perspective view thereof, showing the tool stand in use, when standing.
 FIG. 43 is a perspective view of a seventh embodiment of a tool stand, showing the design.
 FIG. 44 is a front view thereof.
 FIG. 45 is a rear view thereof.
 FIG. 46 is a side view thereof, the opposite side being a mirror image.
 FIG. 47 is a top view thereof.
 FIG. 48 is a bottom view thereof.
 FIG. 49 is another perspective view thereof showing the tool stand in use, when standing.
 FIG. 50 is a perspective view of an eighth embodiment of a tool stand, showing the design.
 FIG. 51 is a front view thereof.
 FIG. 52 is a rear view thereof.
 FIG. 53 is a side view thereof, the opposite side being a mirror image.
 FIG. 54 is a top view thereof.
 FIG. 55 is a bottom view thereof; and,
 FIG. 56 is another perspective view thereof showing the tool stand in use, when standing.
 The broken lines showing of rakes and hoes in the drawings represent environment and form no part of the claimed design. The remaining broken lines in the drawings depict

portions of the tool stand and form no part of the claimed design.

1 Claim, 29 Drawing Sheets

(58) **Field of Classification Search**
 CPC A46B 5/0075; A46B 5/021; A46B 17/06;
 A46B 5/0054
 See application file for complete search history.

(56) **References Cited**

U.S. PATENT DOCUMENTS

D219,362	S	*	12/1970	Snyder	D8/339
D240,290	S	*	6/1976	Nash	D8/402
D294,014	S	*	2/1988	McMurtrey	D12/120
5,161,772	A	*	11/1992	DiResta	A46B 15/00 15/111
D335,435	S	*	5/1993	Lawson	D8/71
D348,357	S	*	7/1994	Libman	D4/132
D354,170	S	*	1/1995	Libman	D4/199
D362,608	S	*	9/1995	Hewitt	D8/71
5,868,374	A	*	2/1999	Lomando	A46B 17/02 15/246
D459,091	S	*	6/2002	Cesak	D4/199
D600,109	S	*	9/2009	Bravo	D8/402
8,074,947	B2	*	12/2011	Cella	B25H 3/006 248/146
D656,735	S	*	4/2012	Zupan	D4/116
8,714,497	B2	*	5/2014	Bricker	F16M 11/06 248/150
D751,872	S	*	3/2016	Brandon	D8/1
D757,383	S	*	5/2016	Abbott	D32/54
D782,203	S	*	3/2017	Fortier	D4/199
D787,197	S	*	5/2017	Sirpal	D4/199
D796,311	S	*	9/2017	Sassone	D8/402
D804,123	S	*	11/2017	Orsino	D32/51
9,826,880	B1	*	11/2017	Faraone	A46B 15/0055
10,137,564	B2	*	11/2018	Mazzocco	B25G 1/102
10,188,233	B2	*	1/2019	Solomon	F16B 2/22
D849,496	S	*	5/2019	Benjamin	D8/71
D856,127	S	*	8/2019	Pistone	D8/402
D871,876	S	*	1/2020	McClure	F16B 33/002 D8/70
D893,996	S	*	8/2020	Pizantias	D8/402
D898,562	S	*	10/2020	Rashed	D8/402
D899,785	S	*	10/2020	Eggink	D4/199
2005/0151348	A1	*	7/2005	Liu	B62B 9/00 280/293
2008/0135696	A1	*	6/2008	LeMay	B25G 1/00 248/170
2012/0056068	A1	*	3/2012	Maxwell	A63B 57/40 248/533
2012/0137548	A1	*	6/2012	Kimball	A01B 1/02 37/266
2013/0291695	A1	*	11/2013	Bricker	F16M 11/06 81/489
2014/0203158	A1	*	7/2014	Hennessey	G10G 5/00 248/439
2016/0221623	A1	*	8/2016	Kim	B62K 19/42
2019/0162360	A1	*	5/2019	Weber	A47L 13/11

OTHER PUBLICATIONS

Esge Double Leg Kickstand, Date Visited: Apr. 16, 2021, Bikeinn, Date Available: Apr. 16, 2021, <https://www.bikeinn.com/bike/esge-double-leg-kickstand-large-320-mm/137506888/p> (Year: 2021).*

* cited by examiner

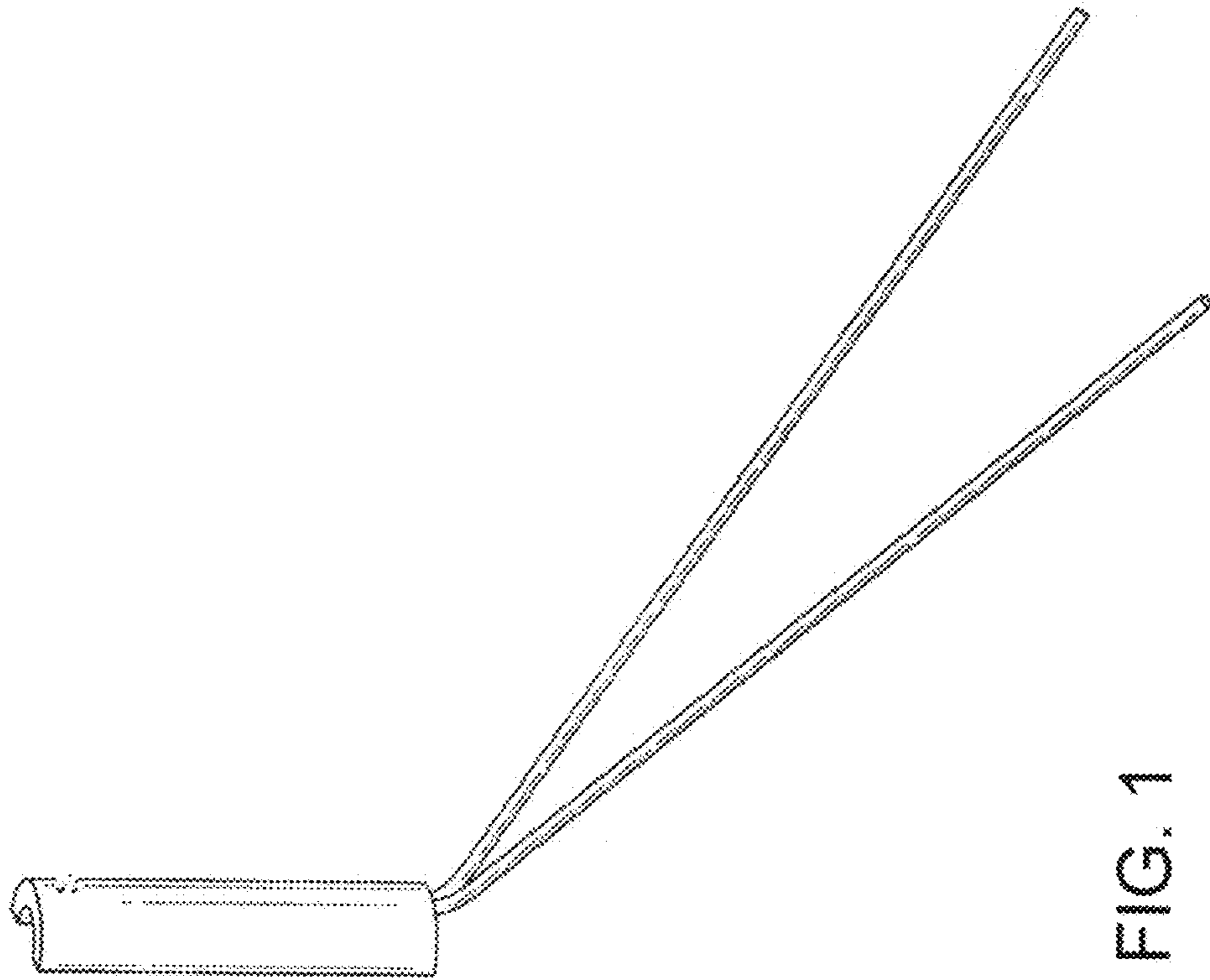


FIG. 1

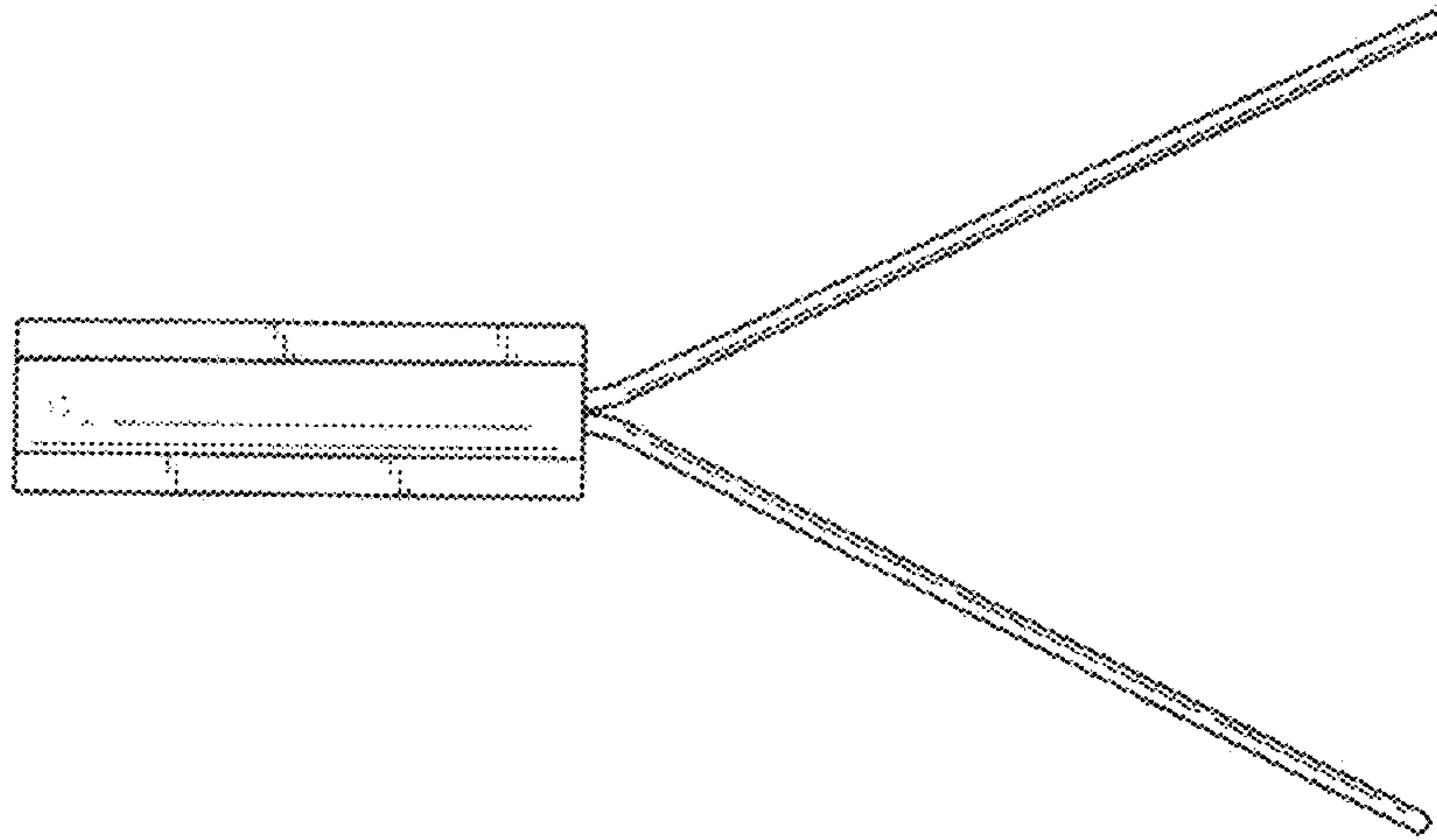


FIG. 3

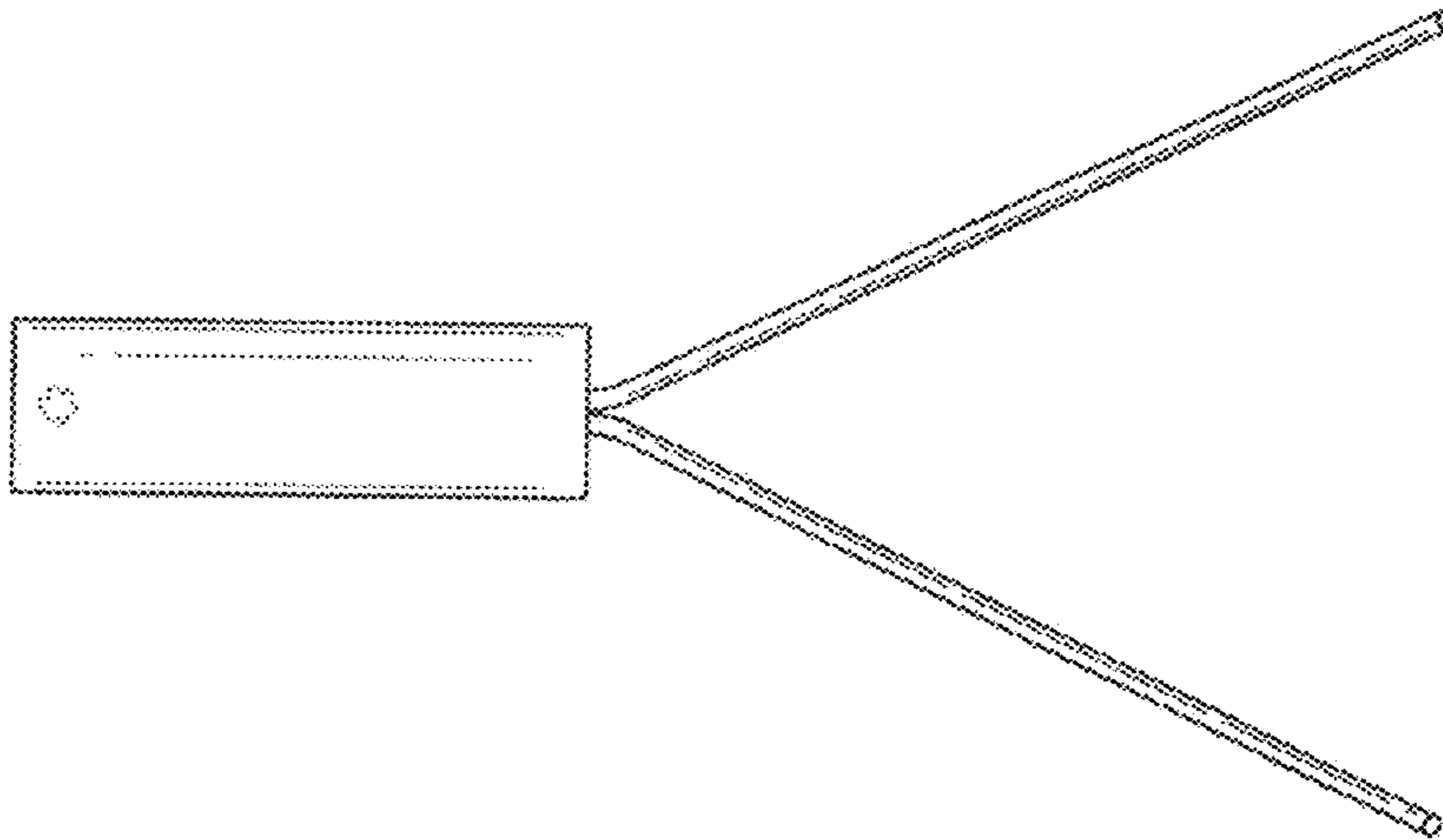


FIG. 2

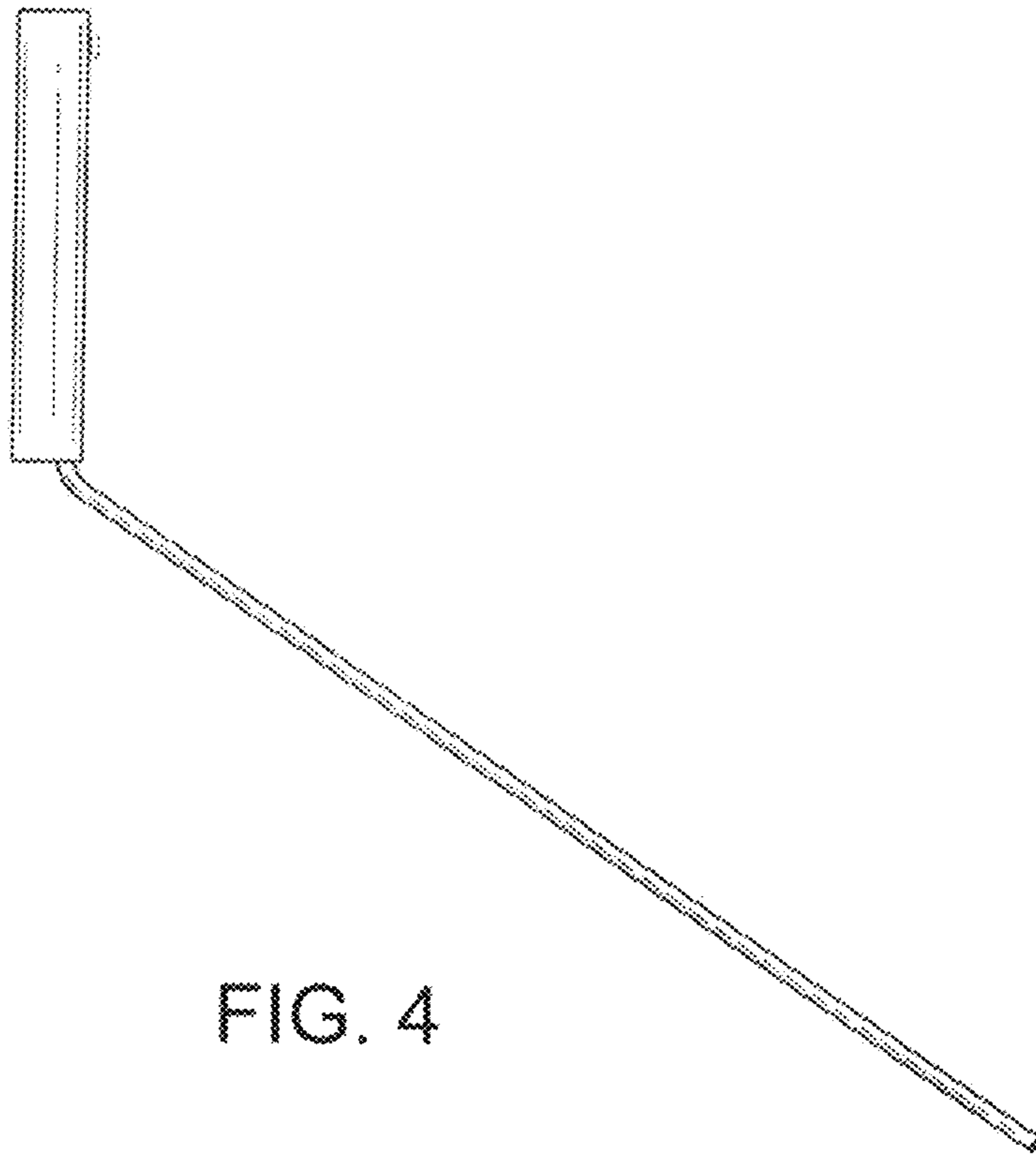


FIG. 4

FIG. 5

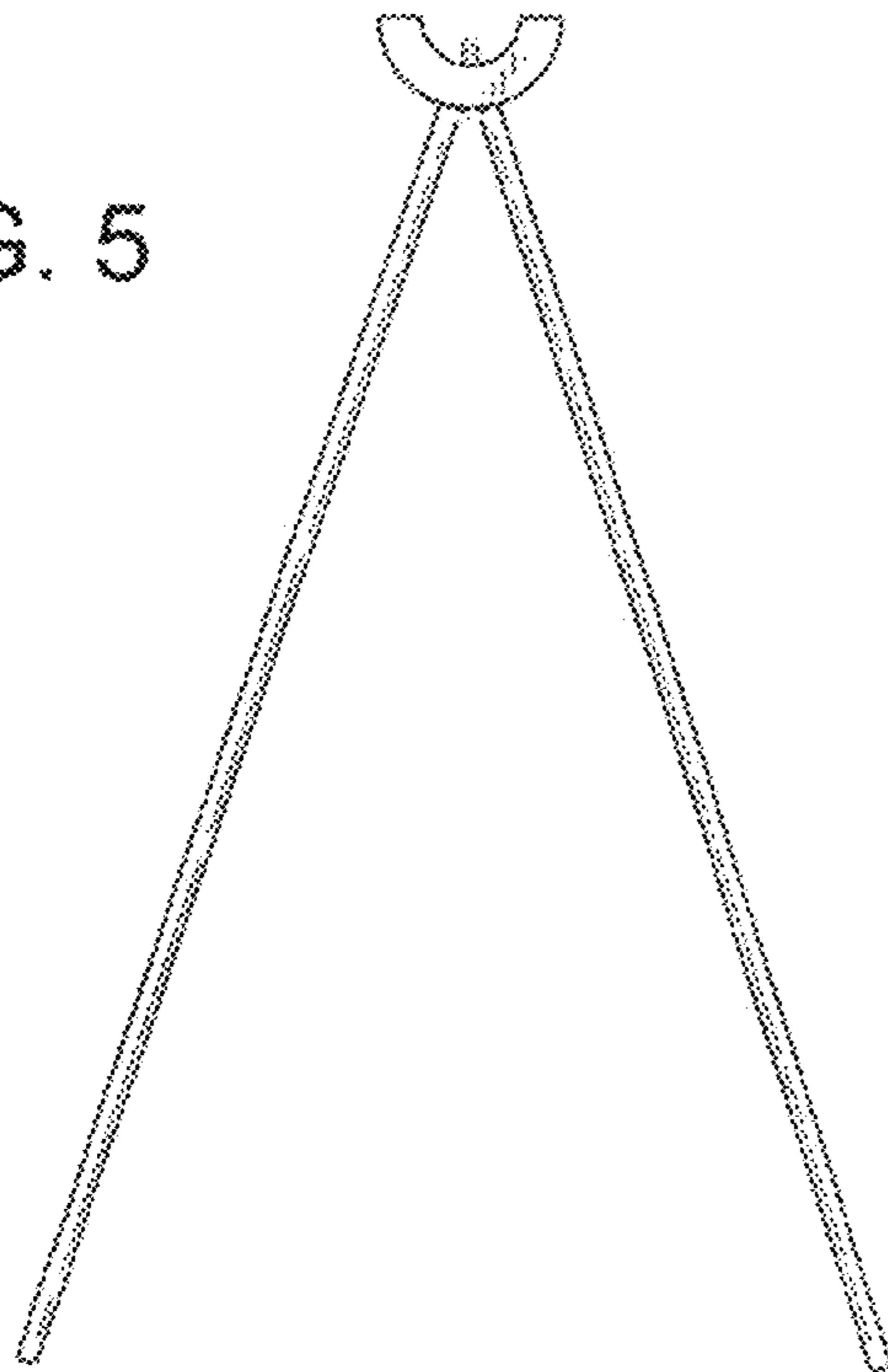
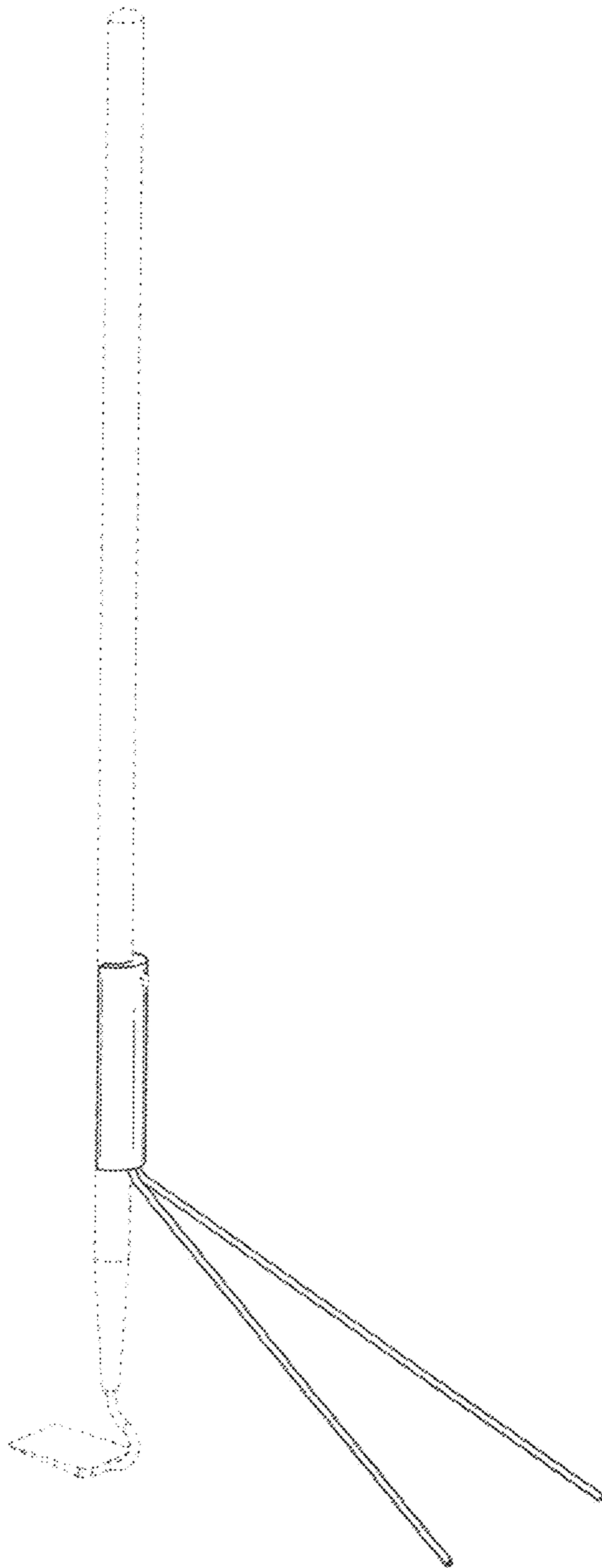


FIG. 6



FIG. 7



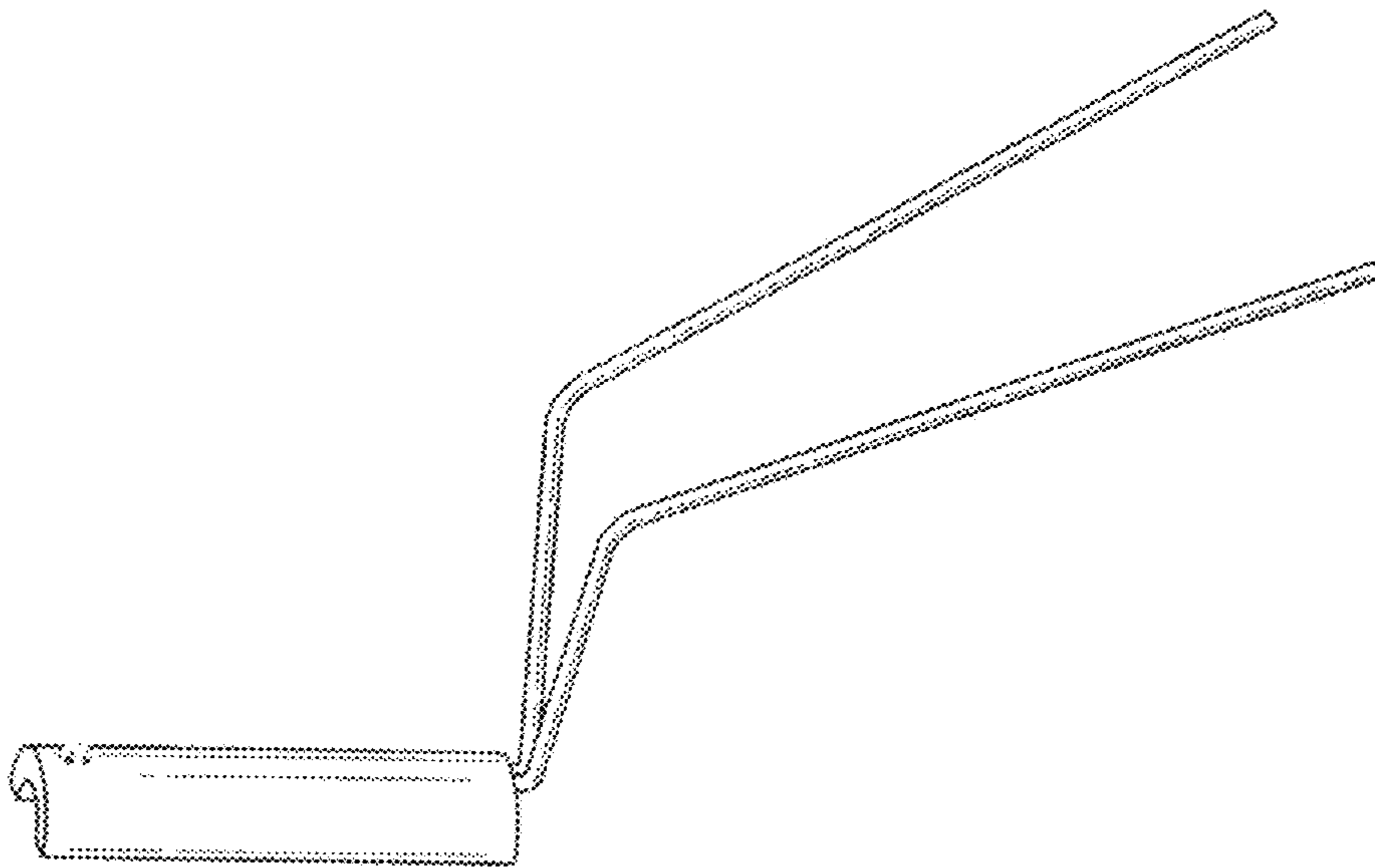


FIG. 8

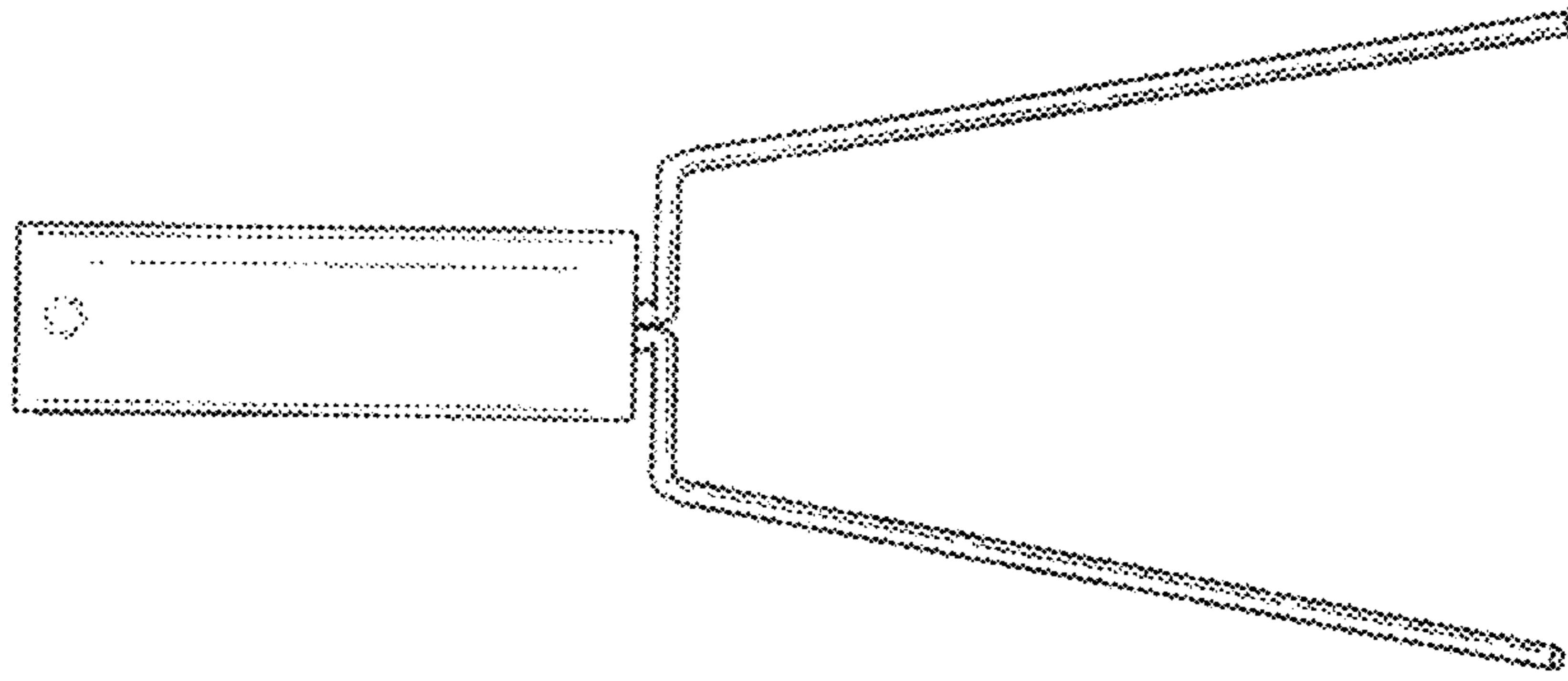


FIG. 9

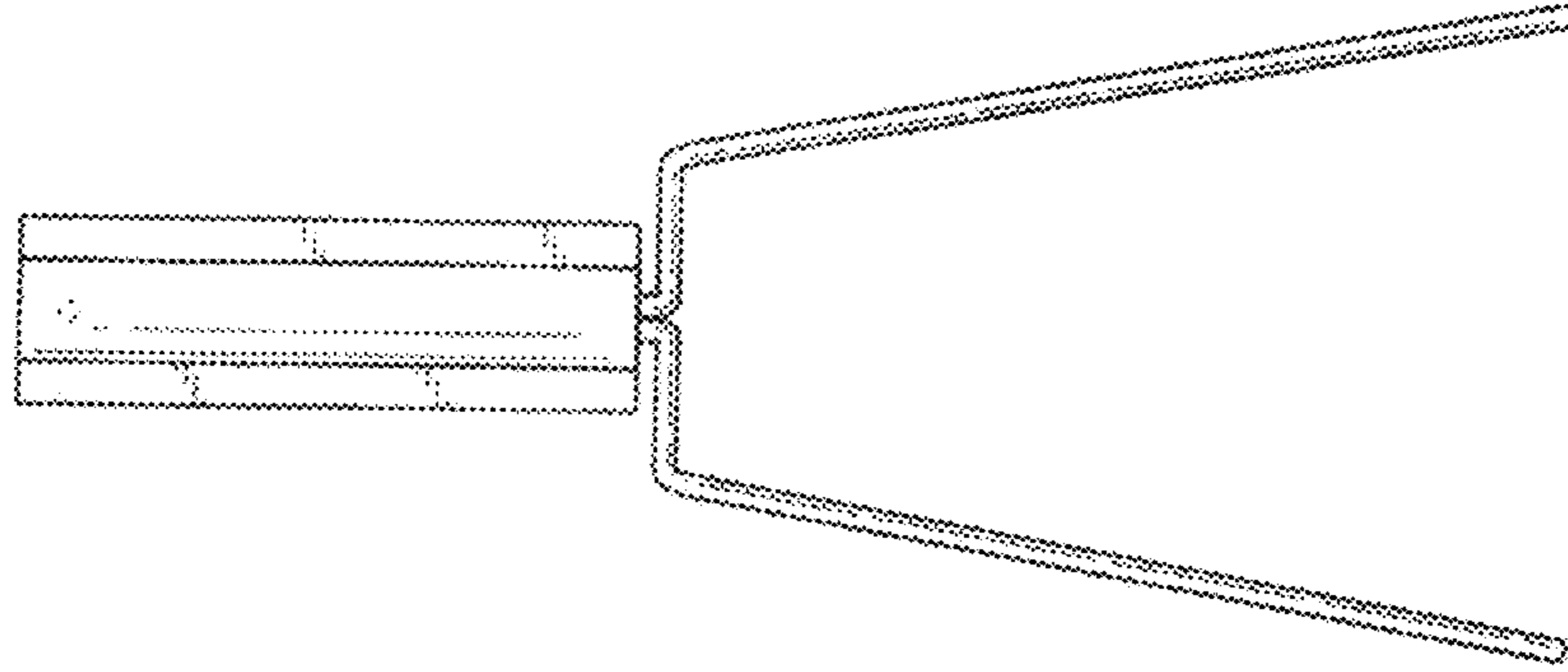


FIG. 10

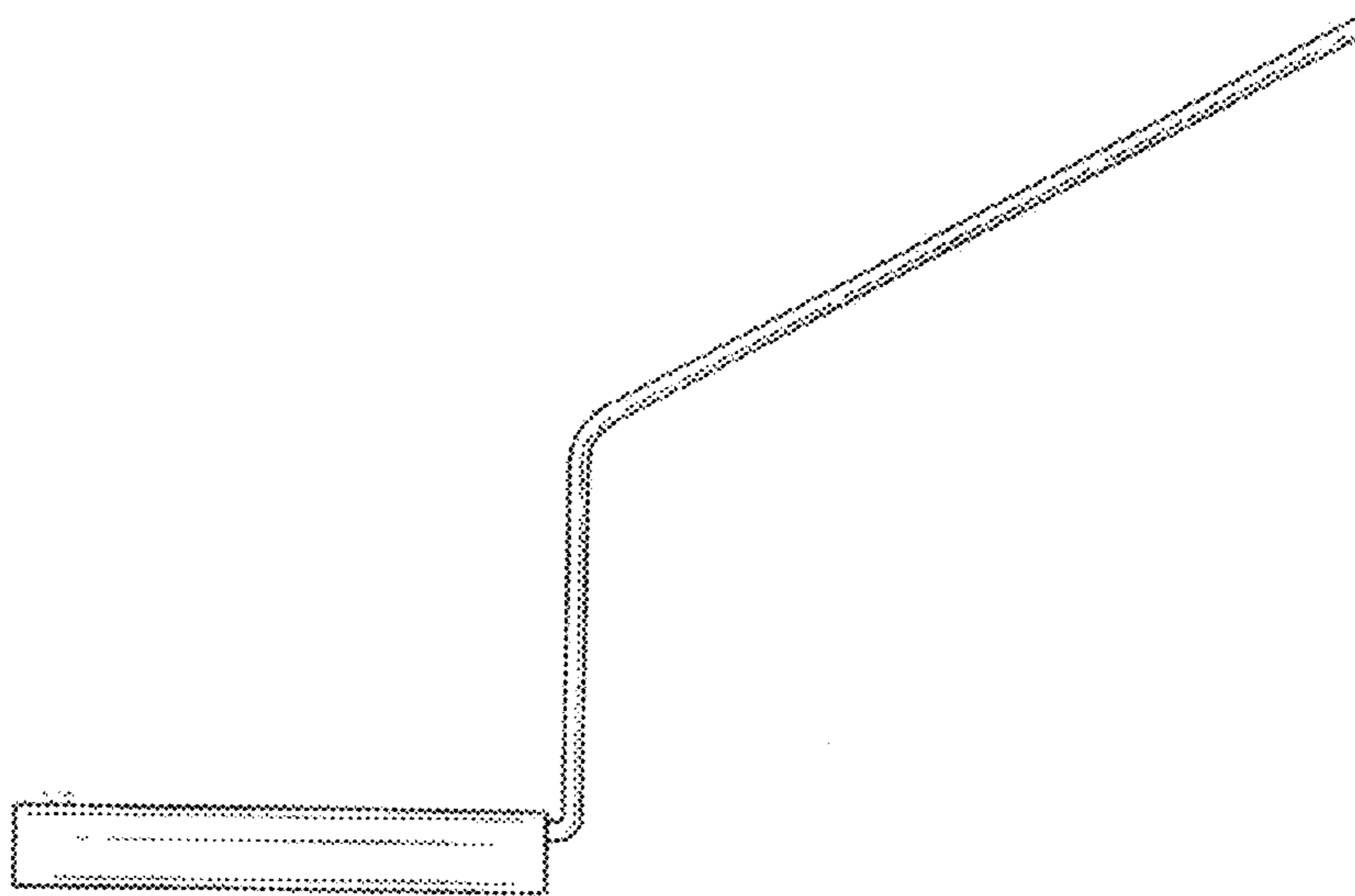


FIG. 11

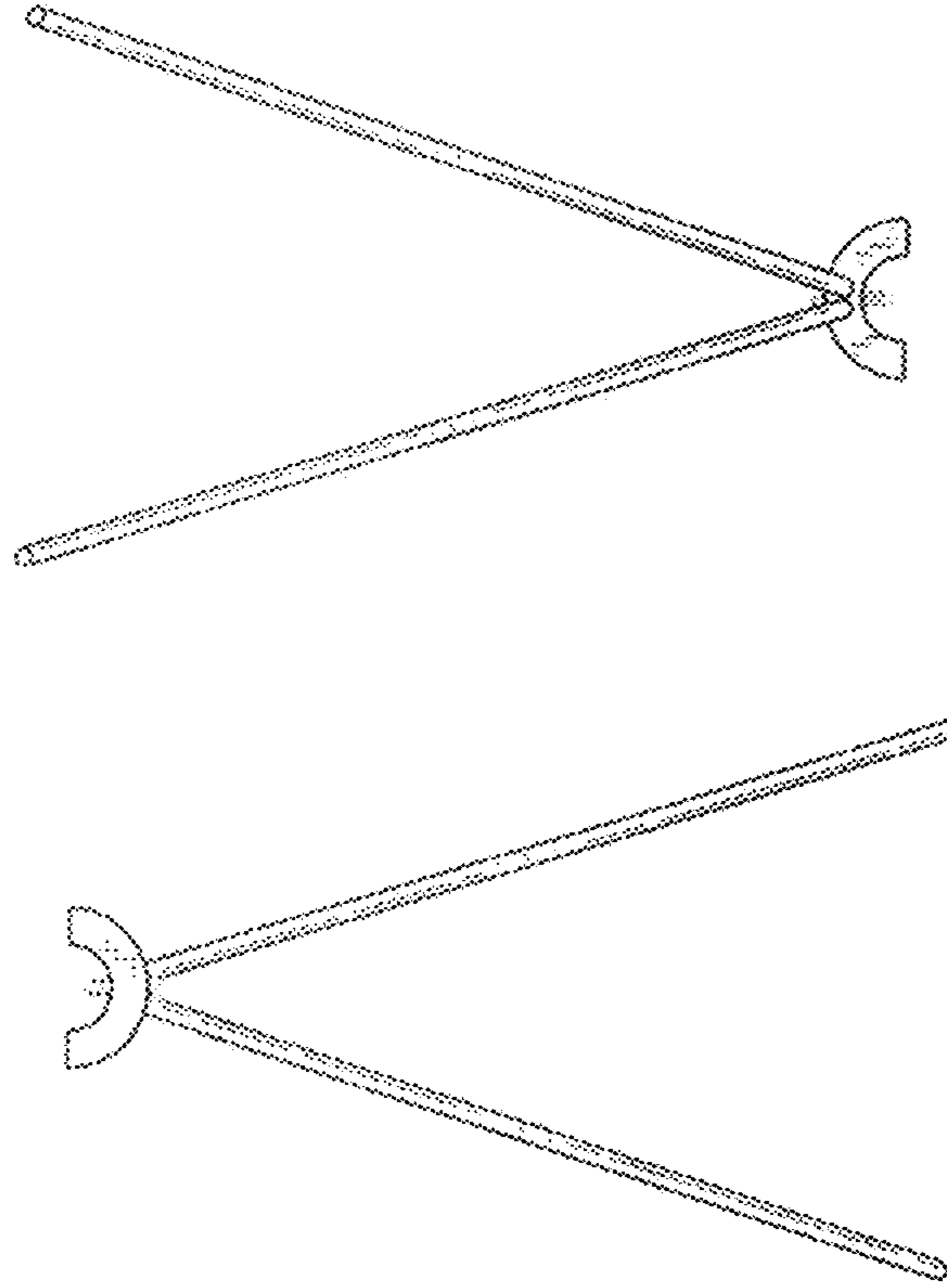


FIG. 12

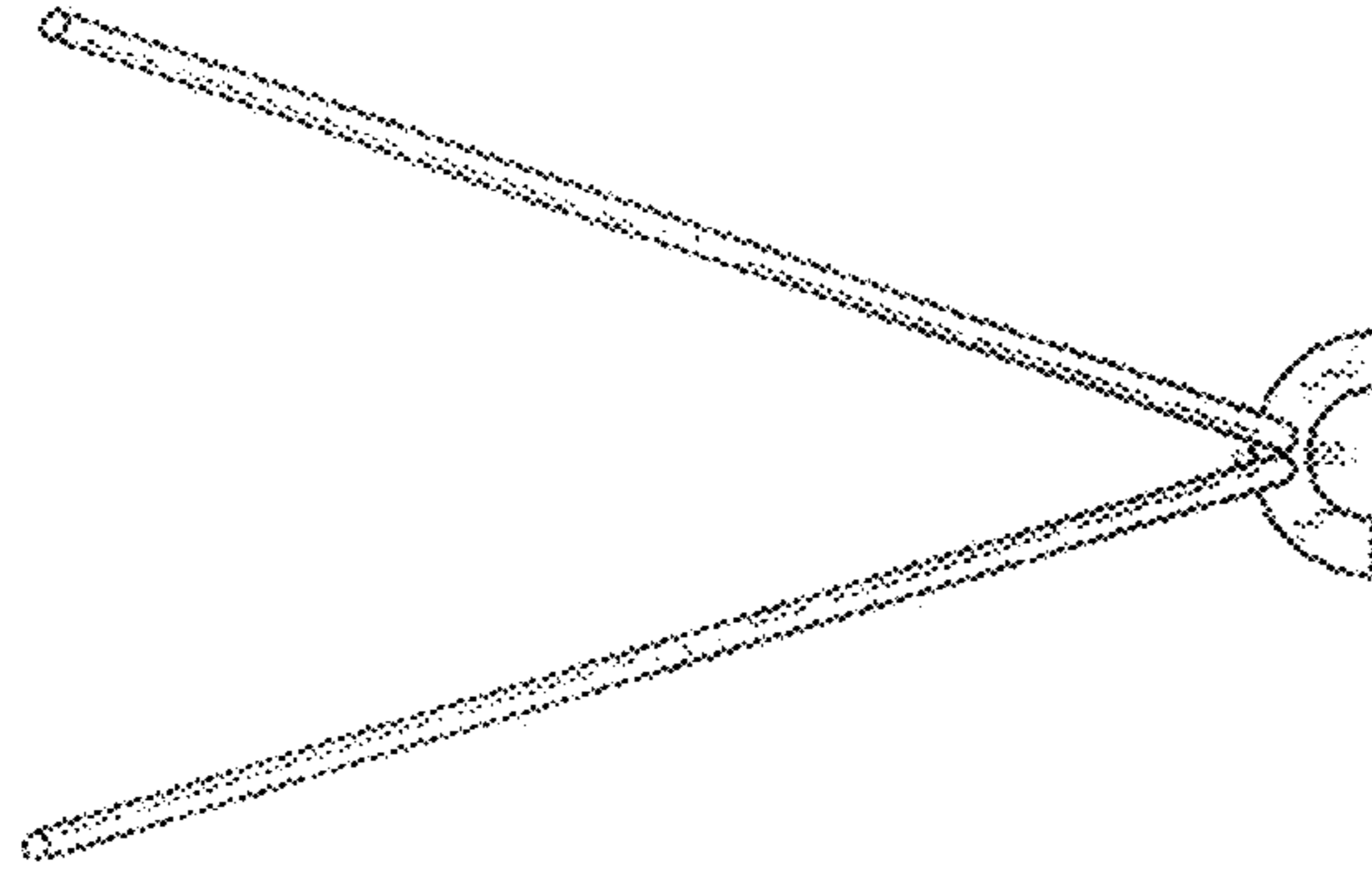
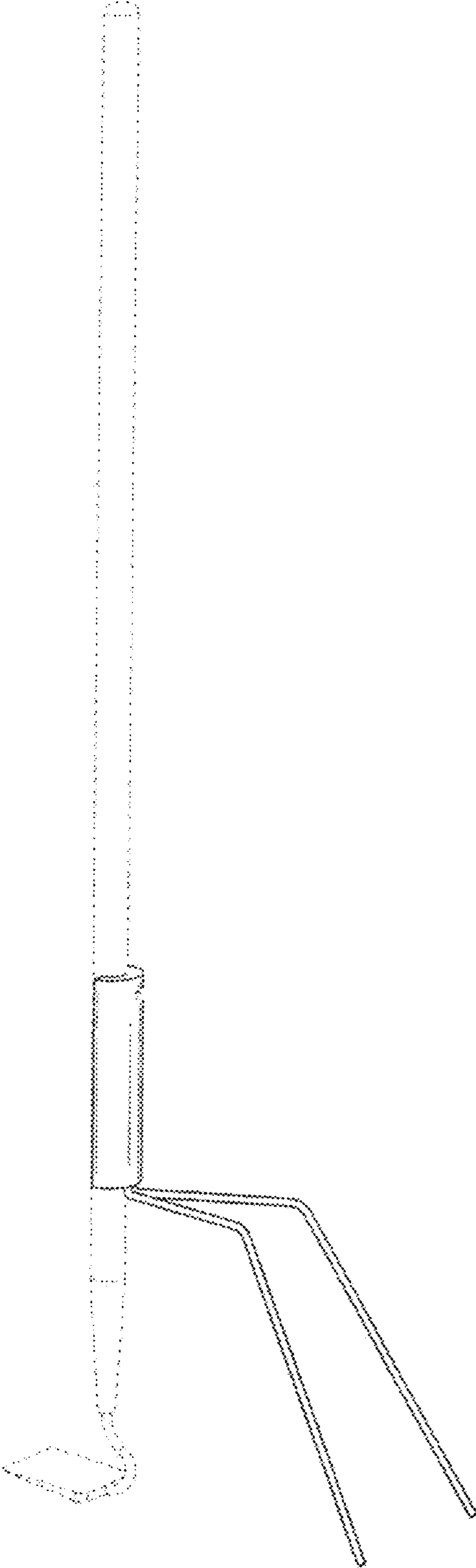


FIG. 13

FIG. 14



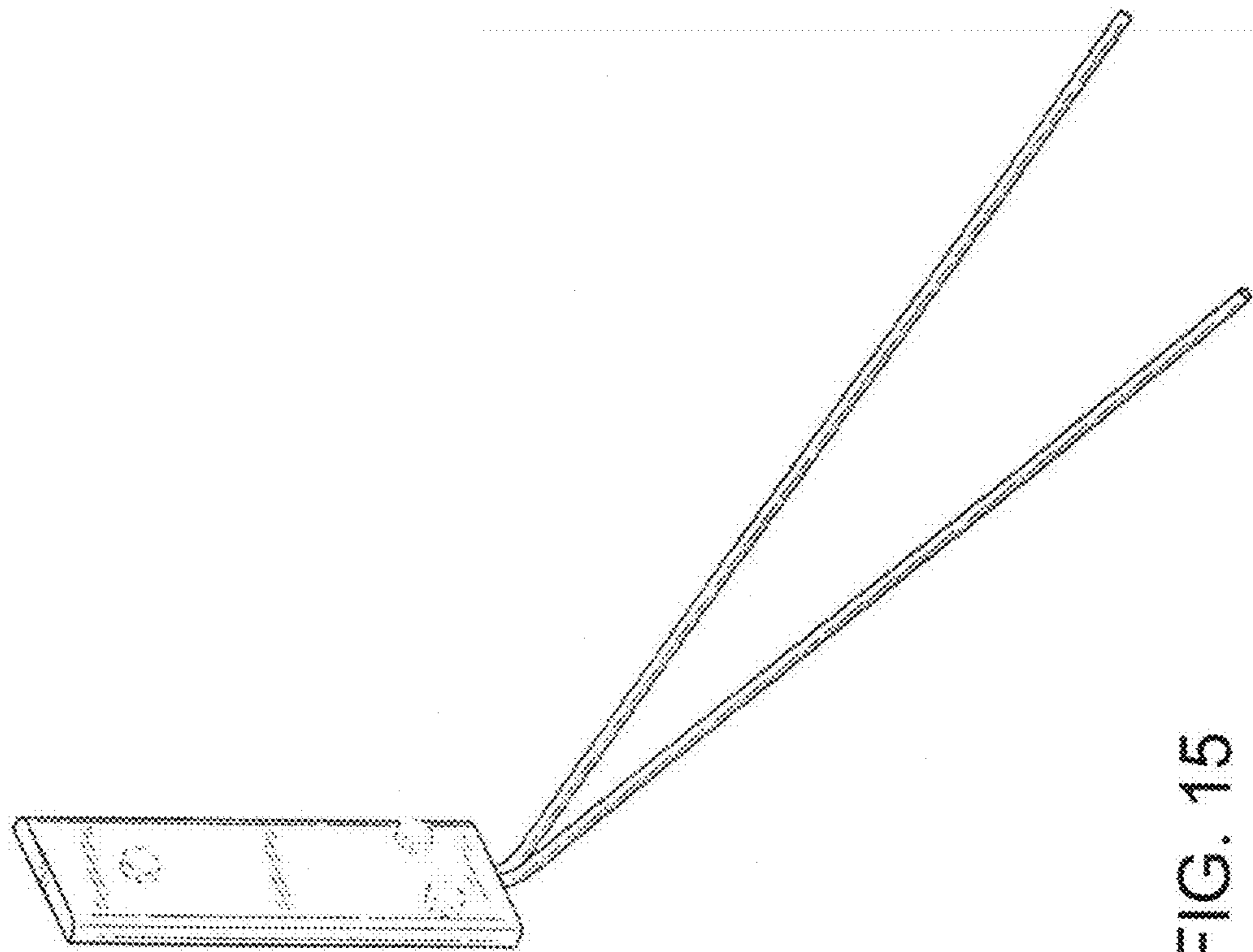


FIG. 15

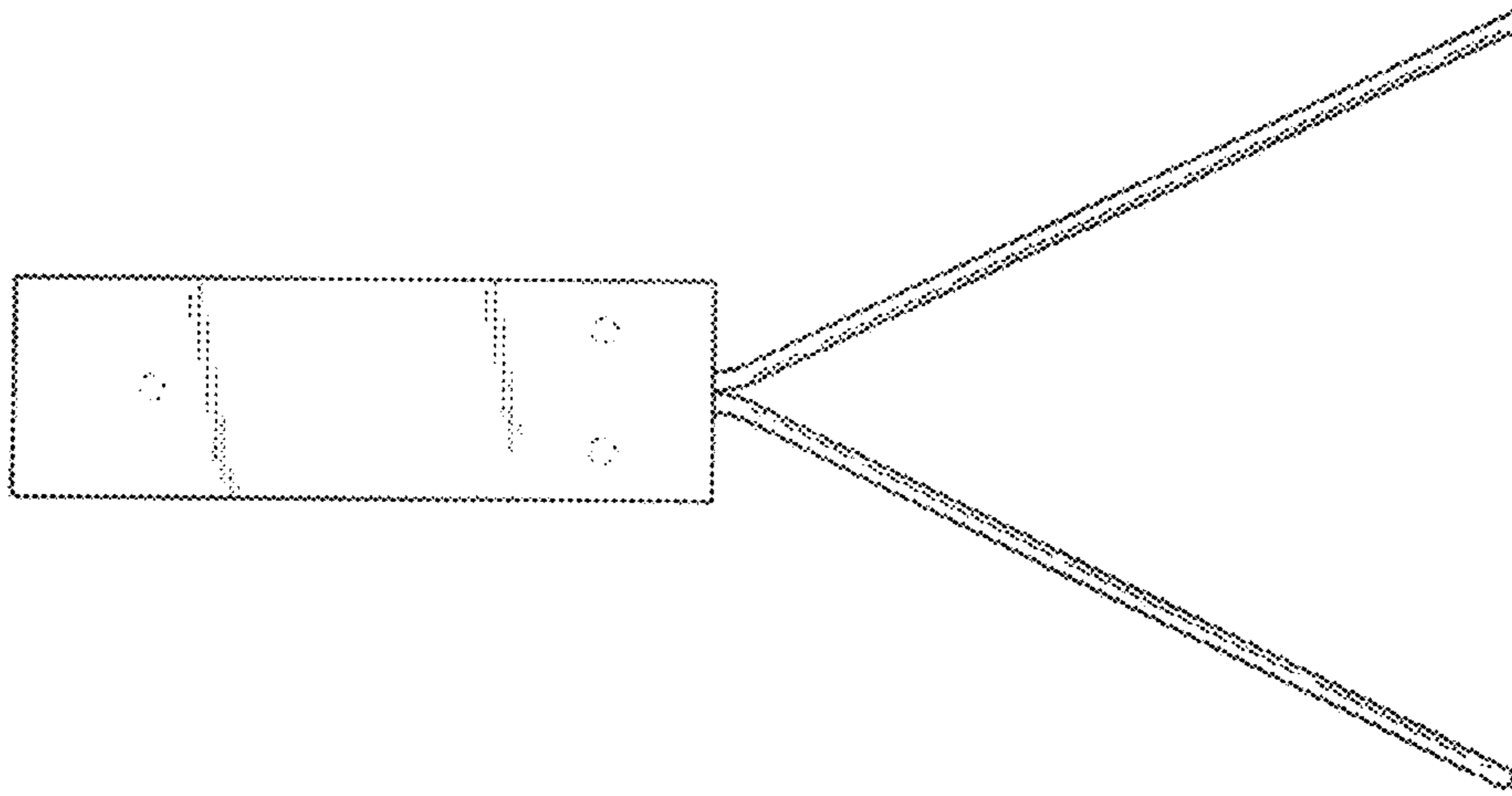


FIG. 17

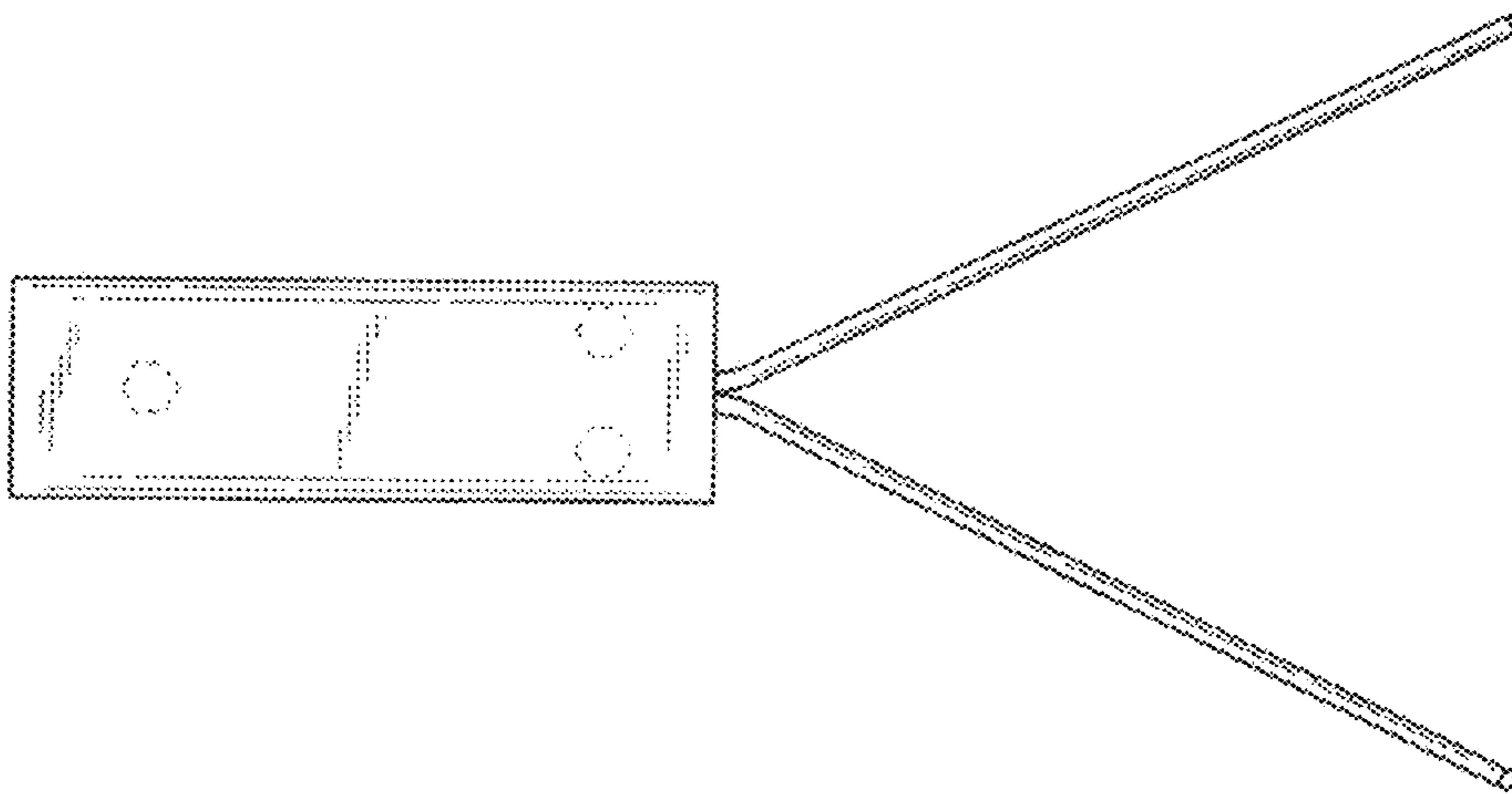


FIG. 16

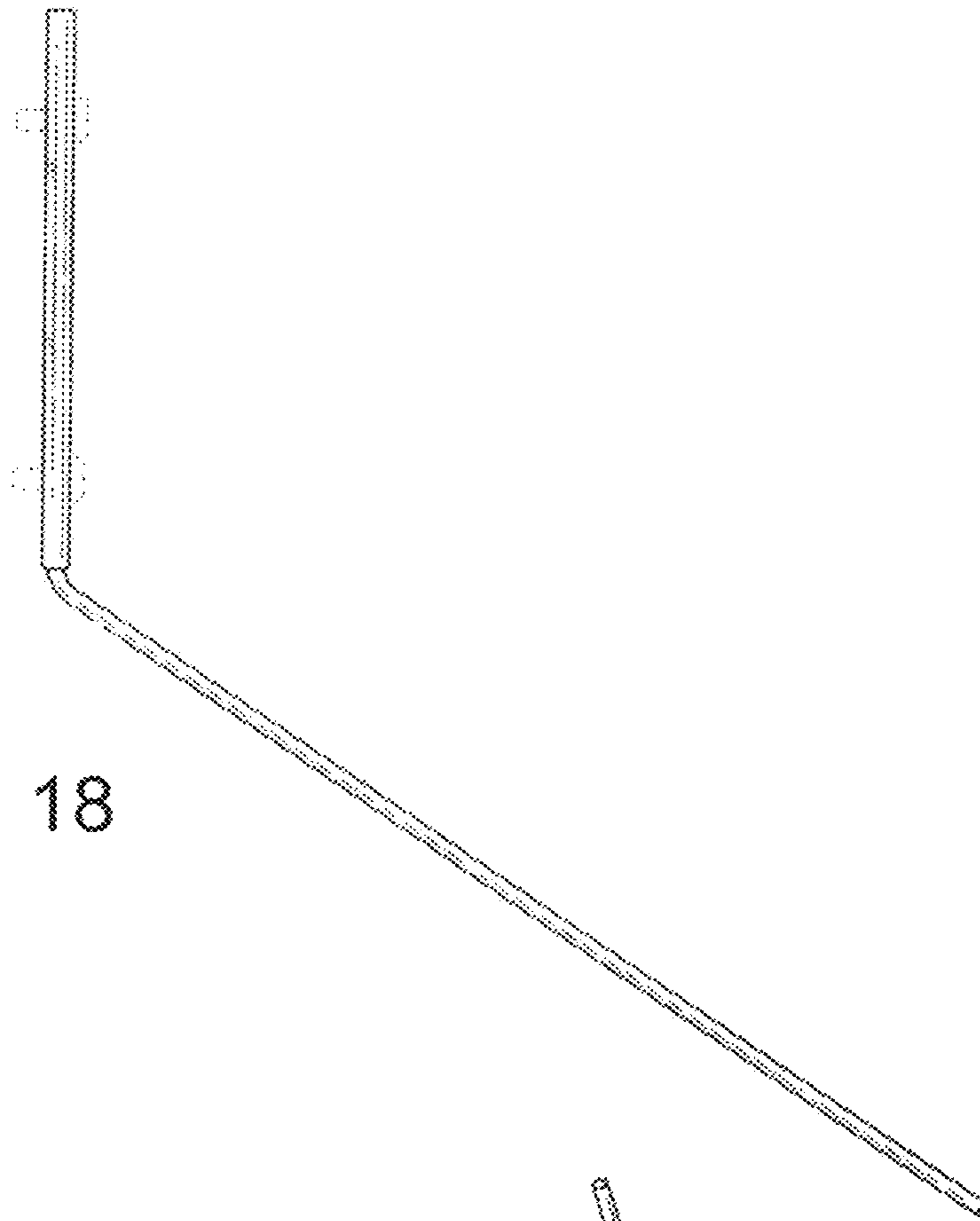


FIG. 18

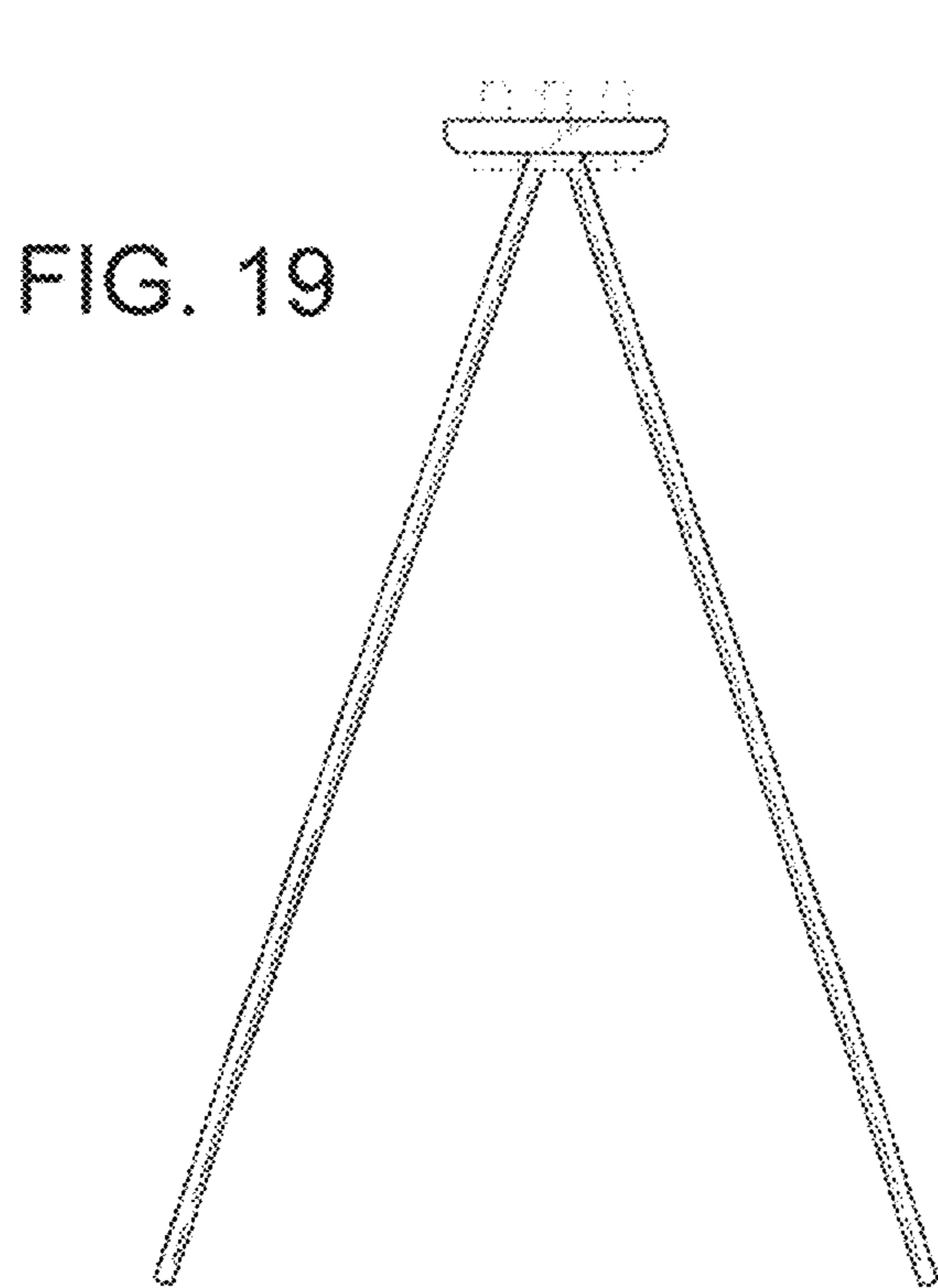


FIG. 19



FIG. 20

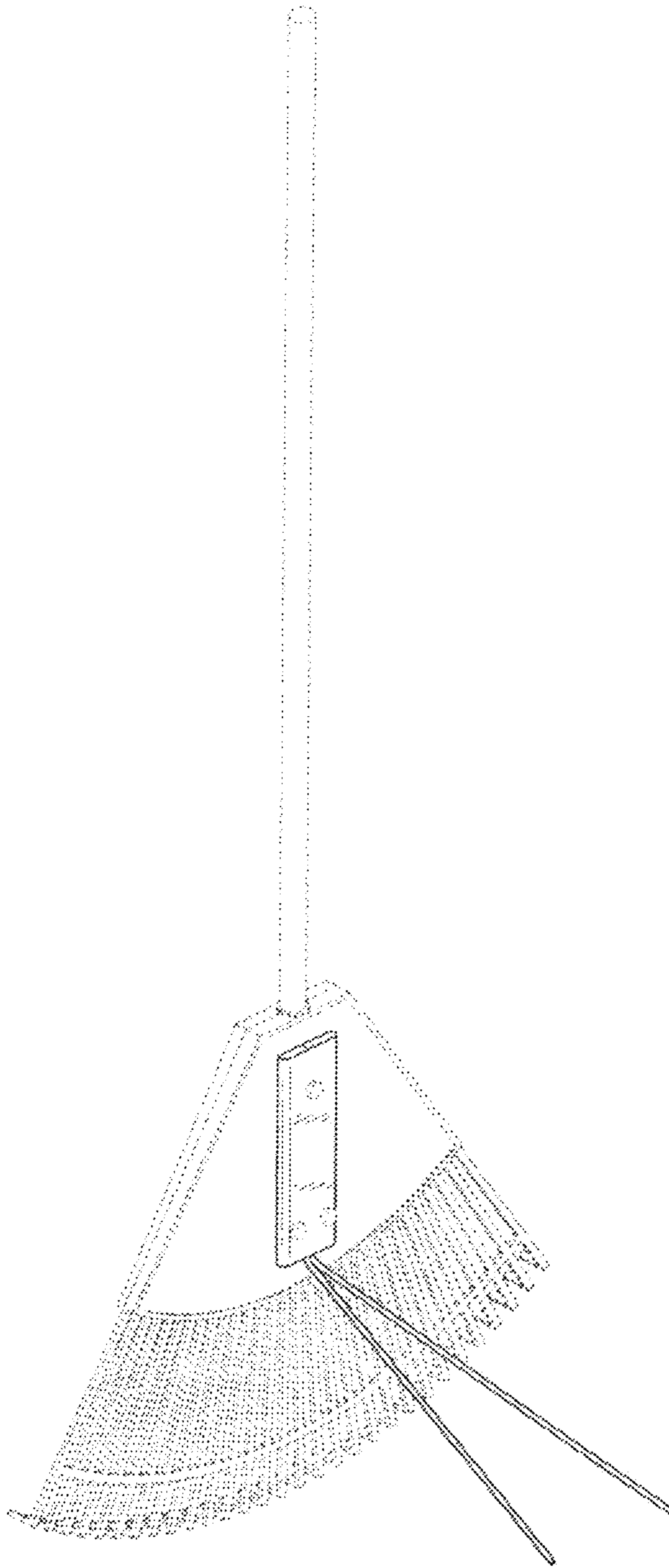


FIG. 21

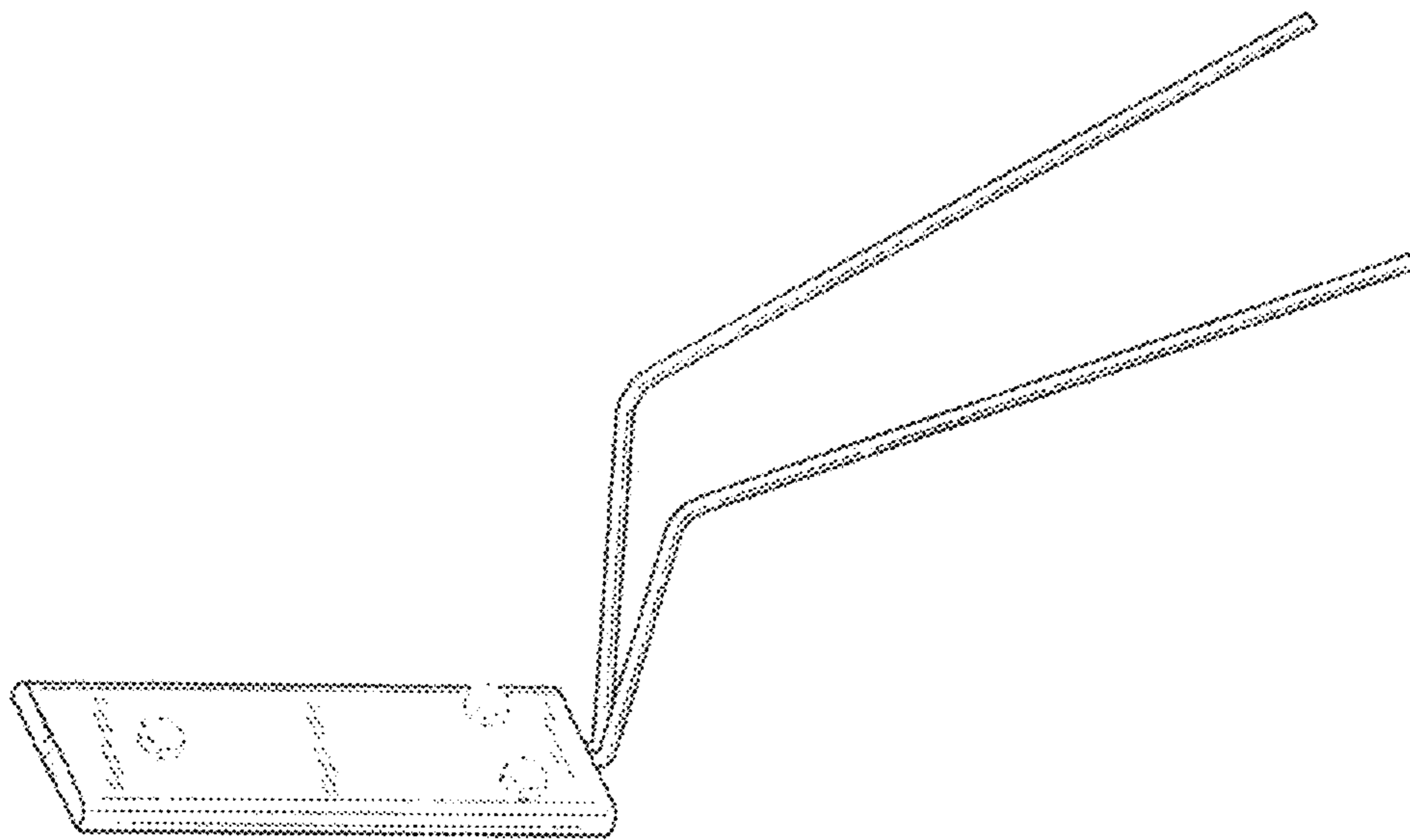


FIG. 22

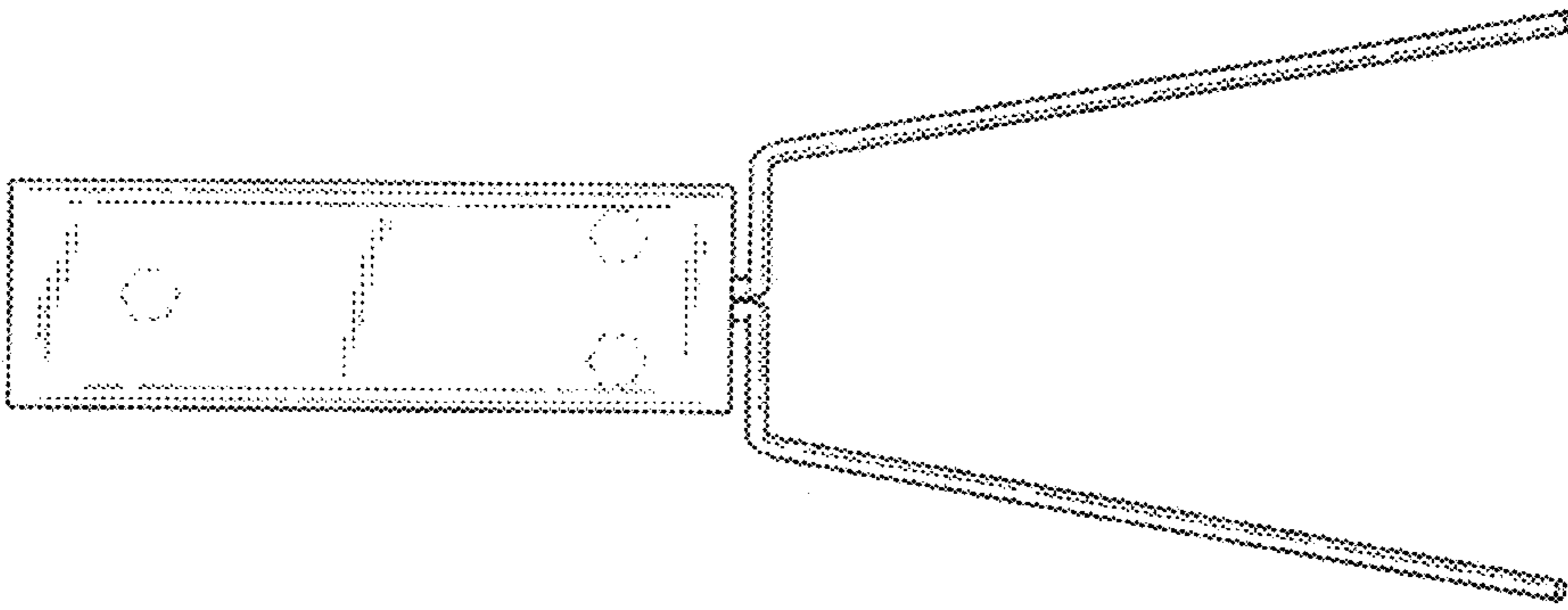


FIG. 23

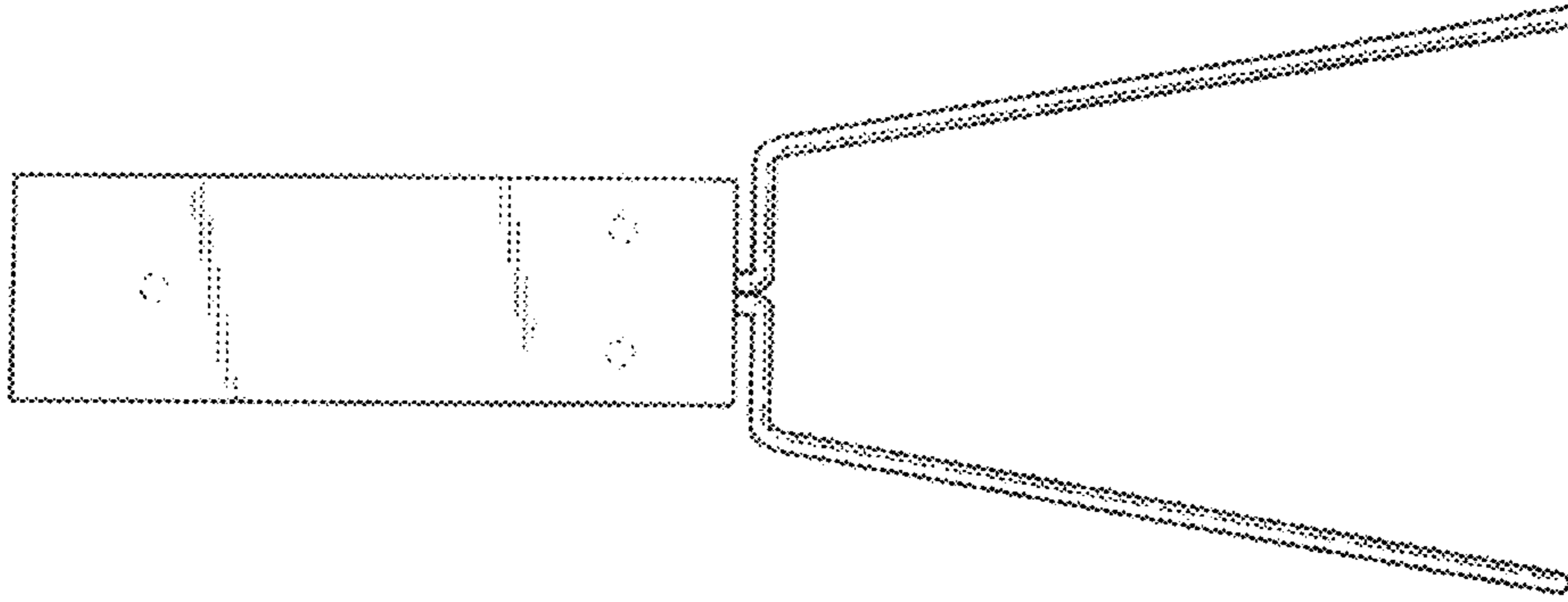


FIG. 24

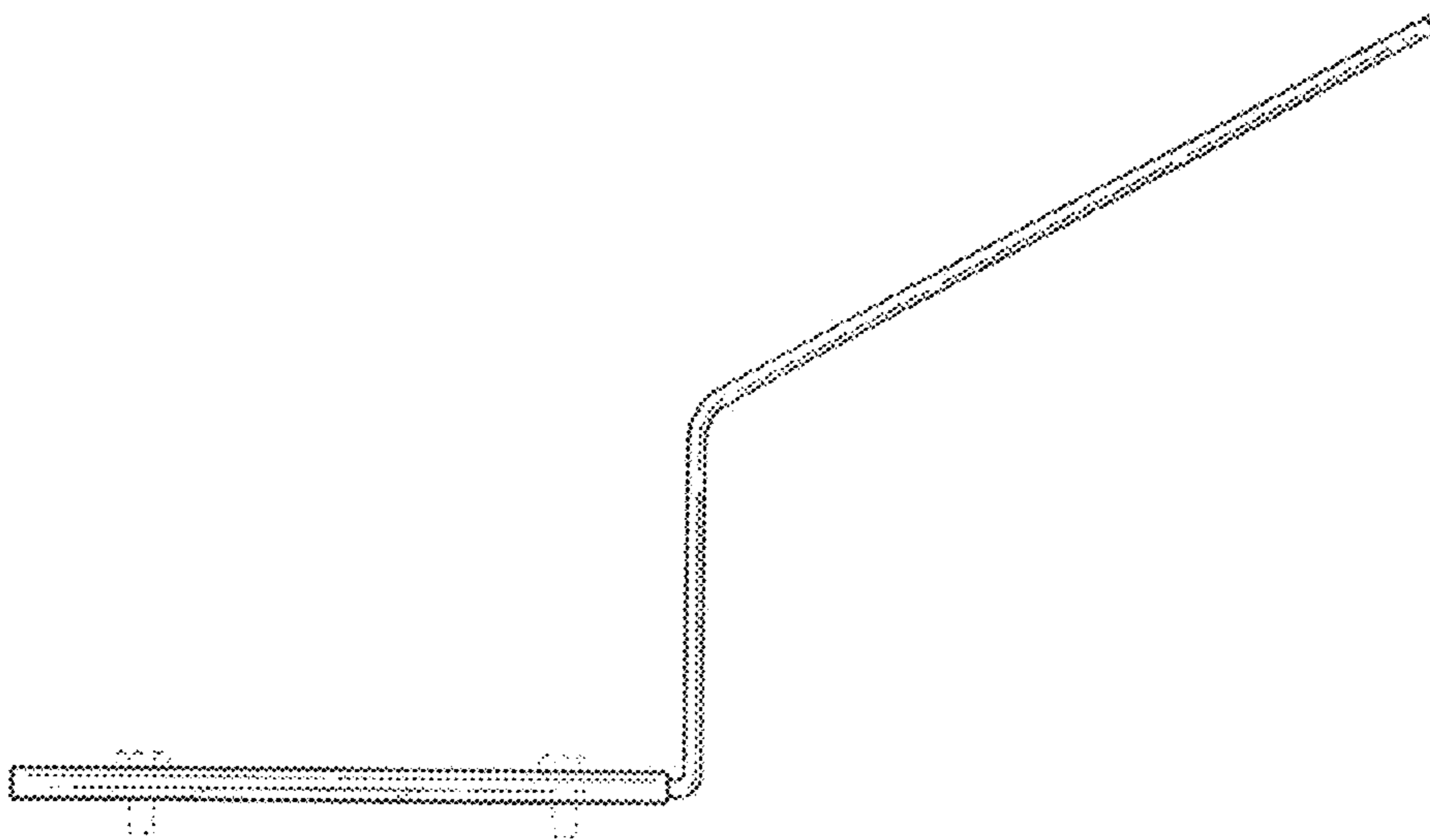


FIG. 25

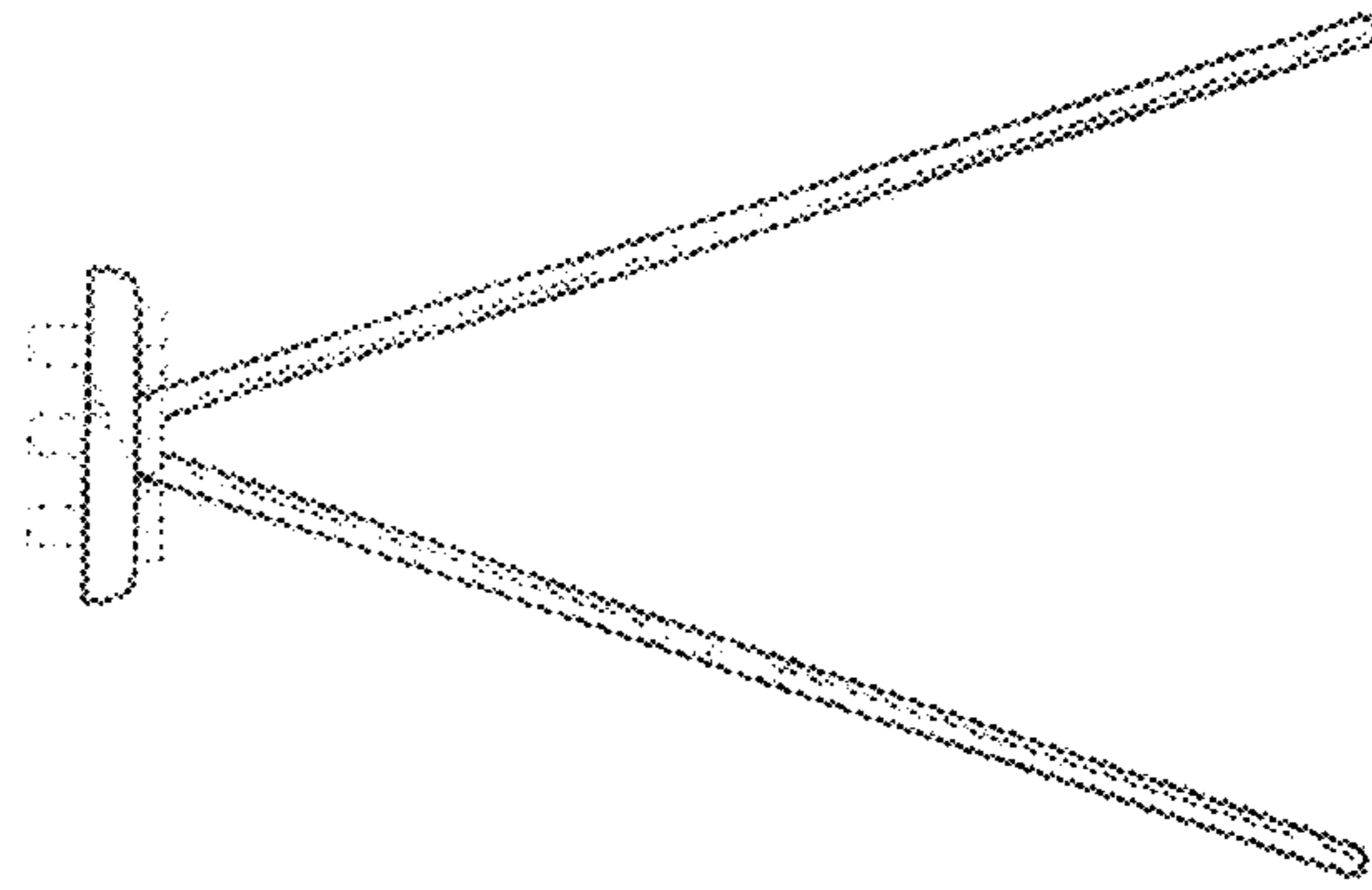


FIG. 26

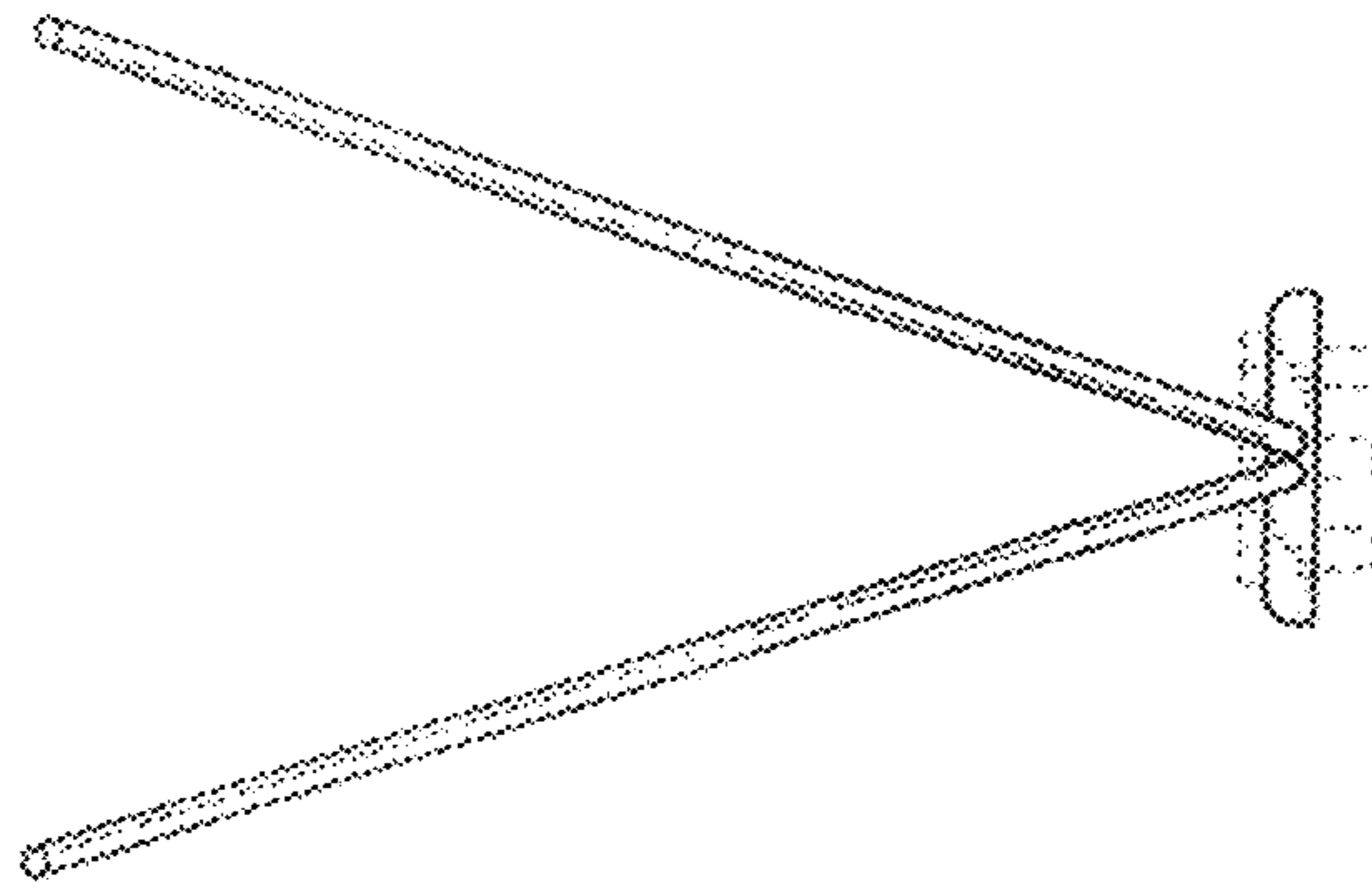


FIG. 27

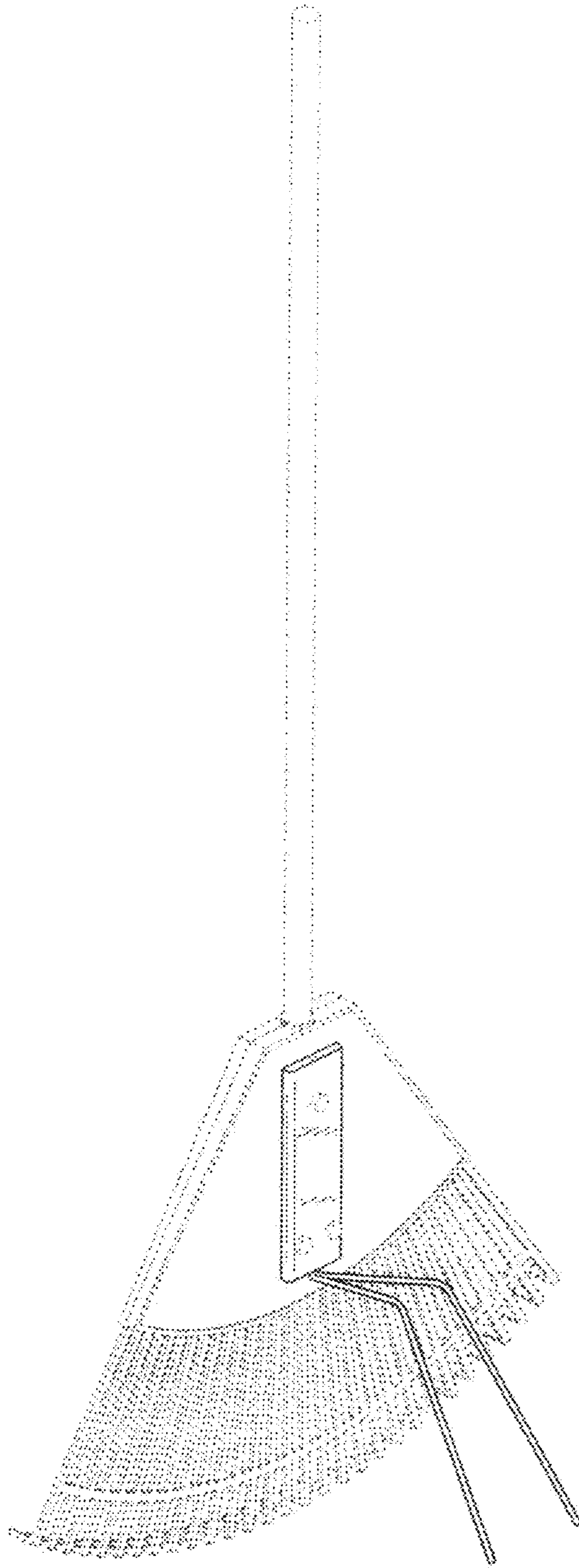


FIG. 28

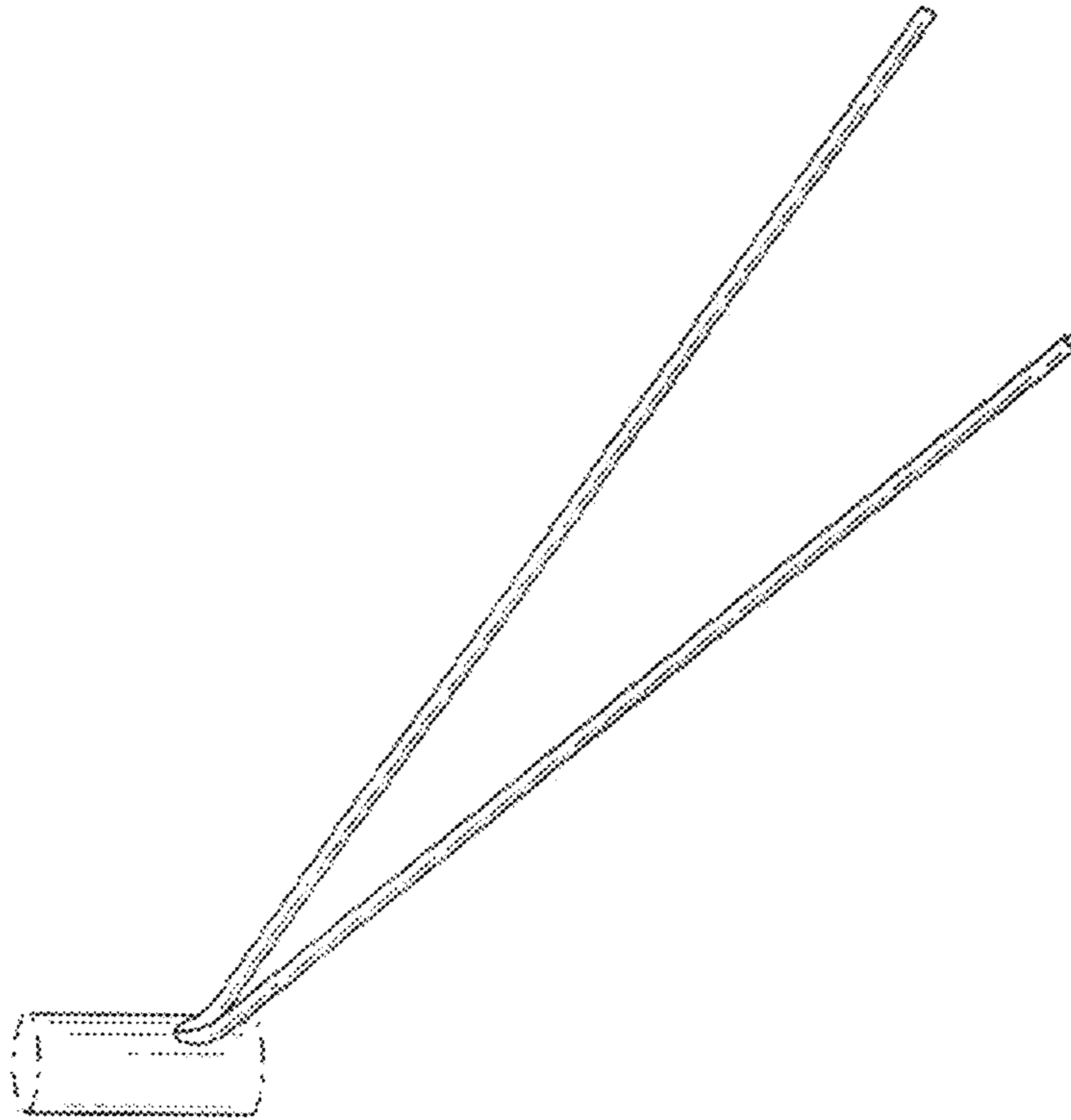


FIG. 29

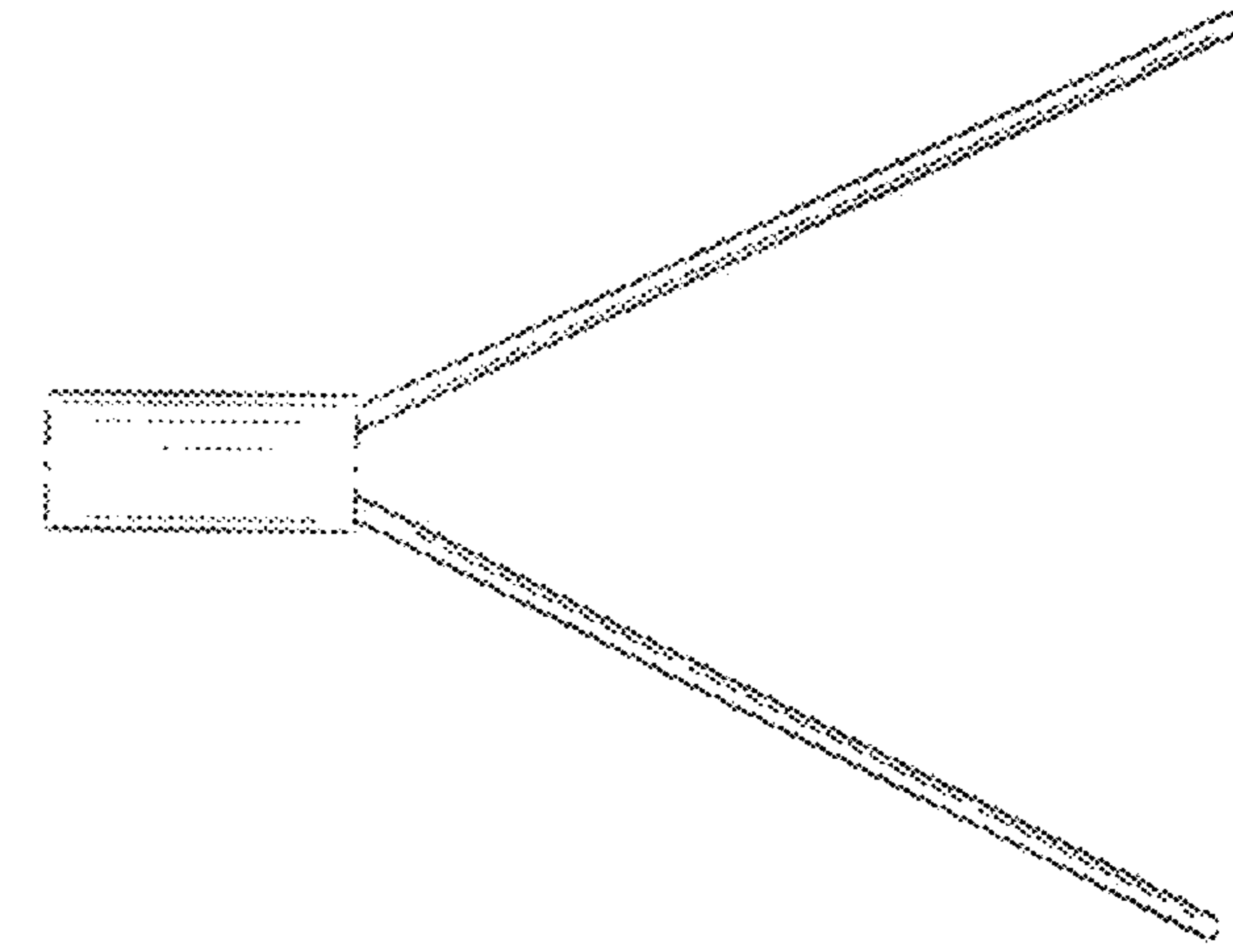


FIG. 31

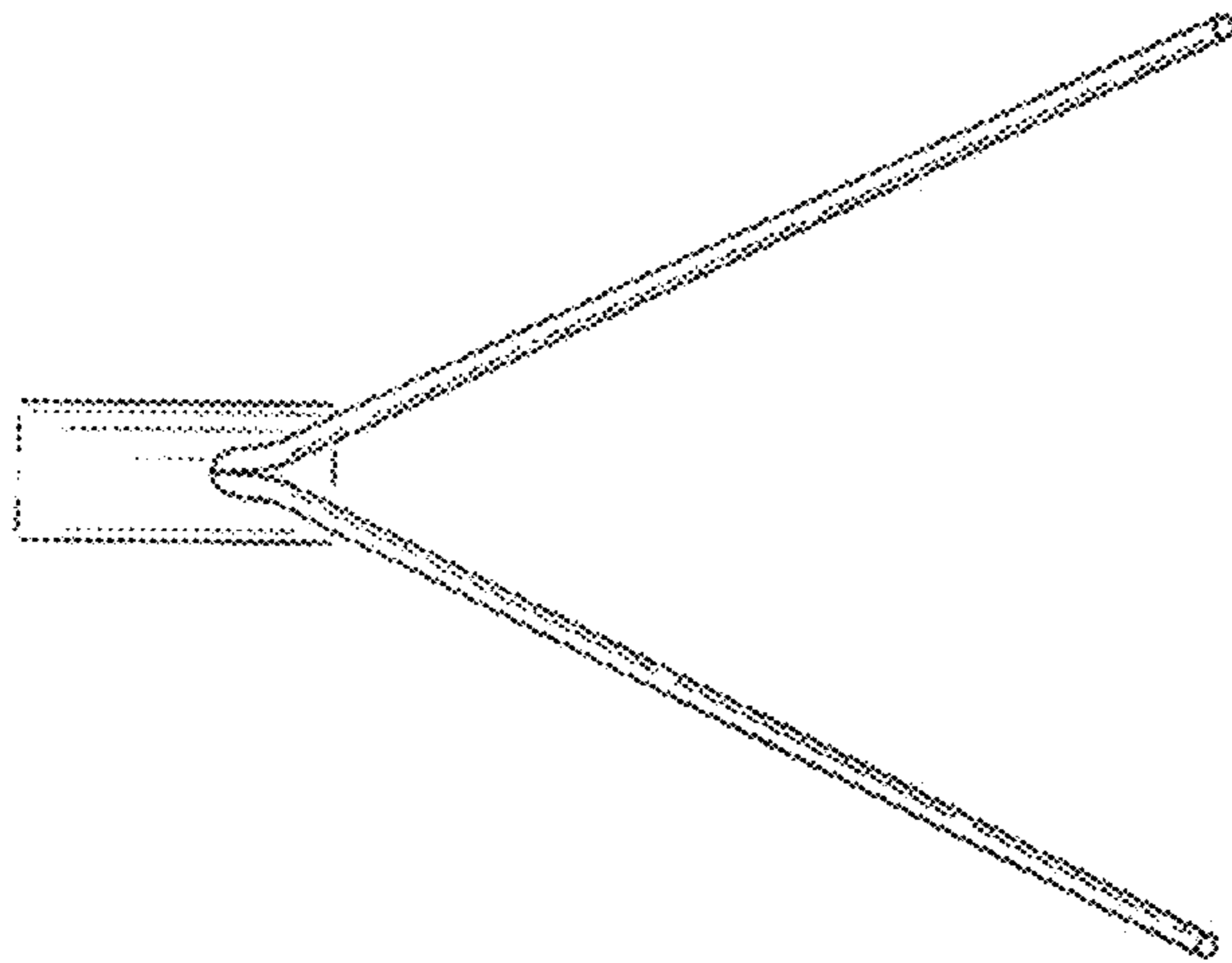


FIG. 30

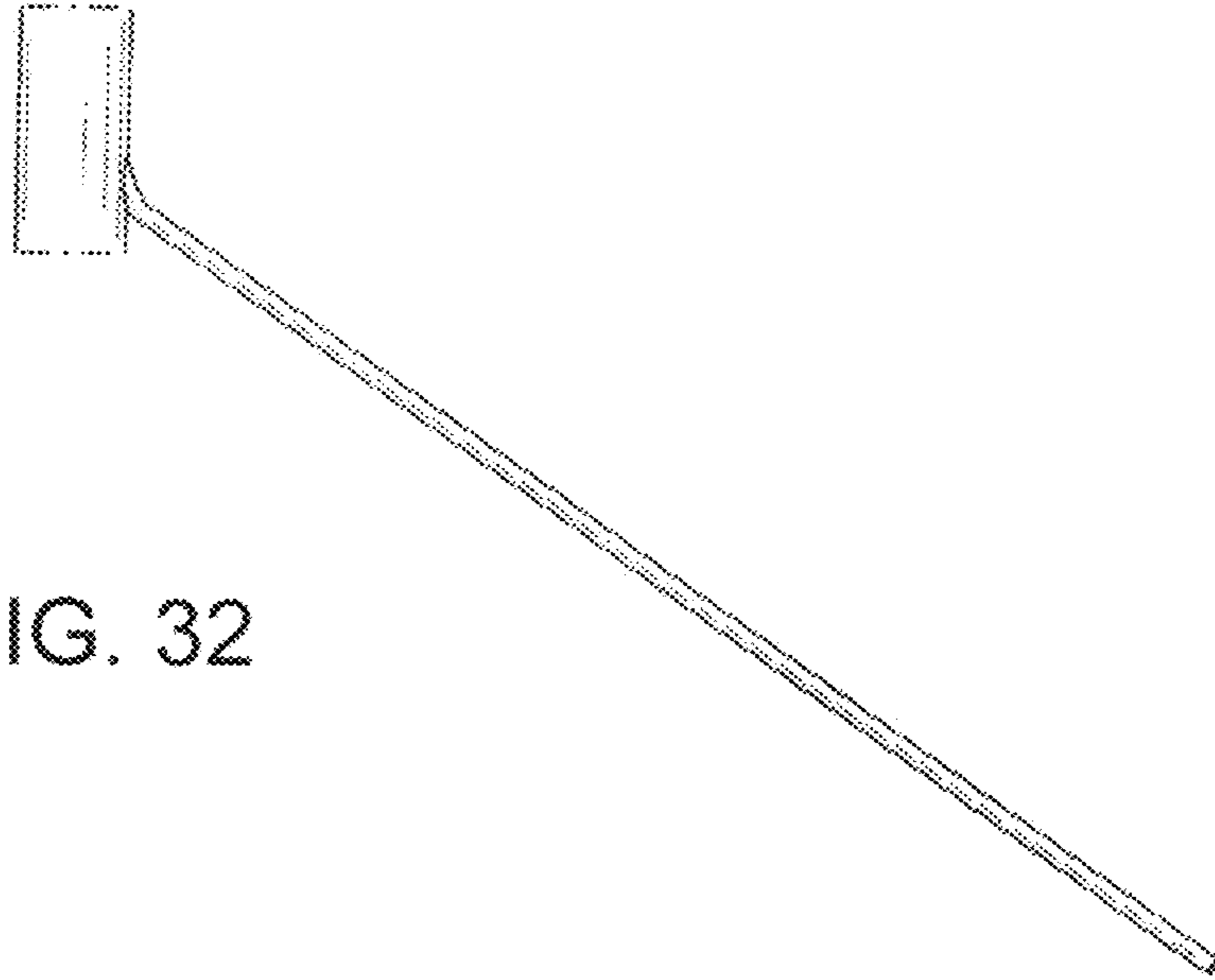


FIG. 32

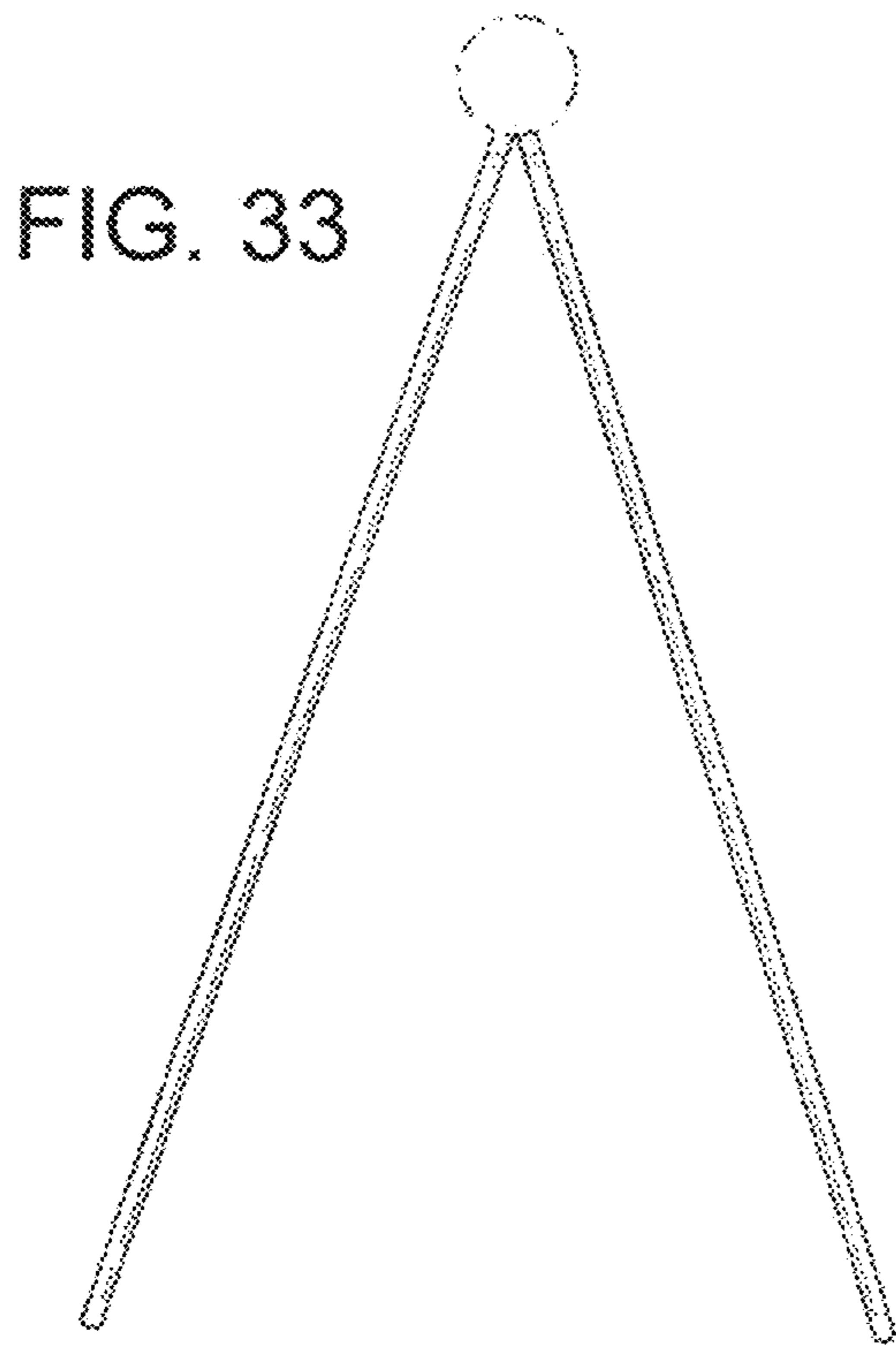
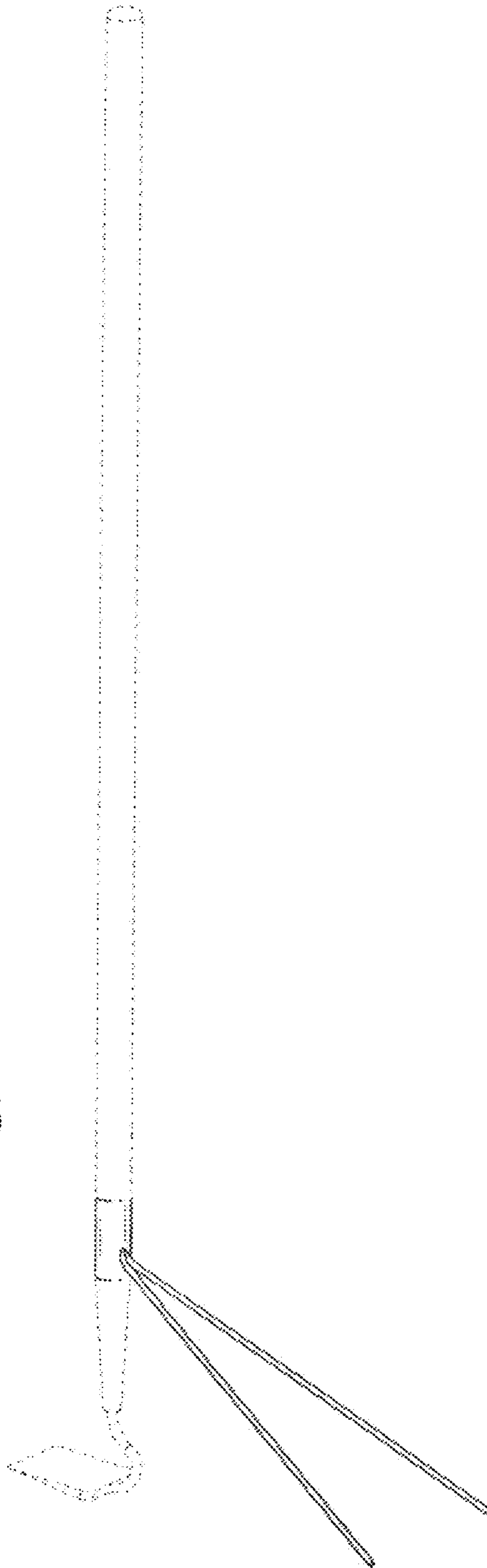


FIG. 33



FIG. 34

FIG. 35



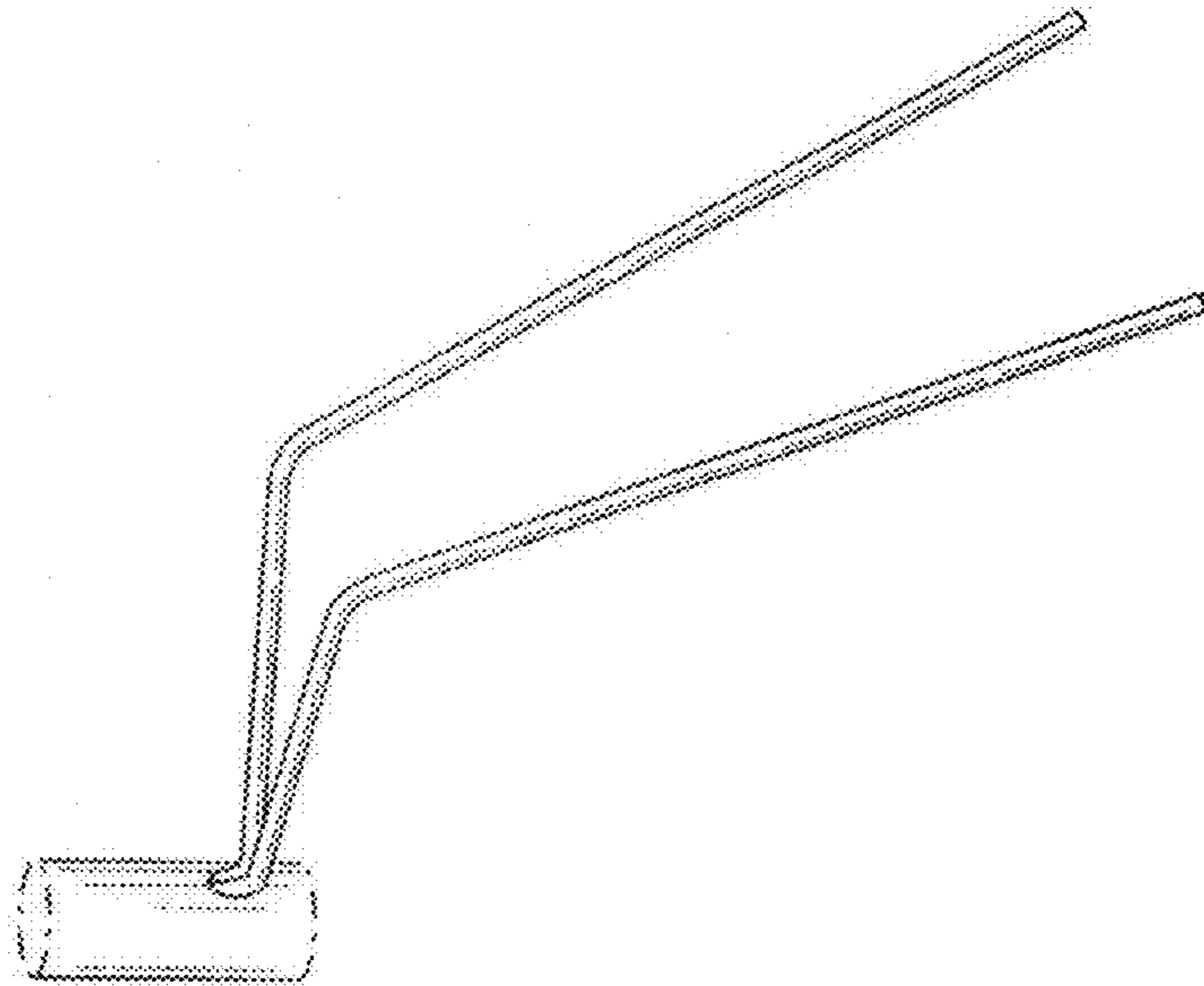


FIG. 36

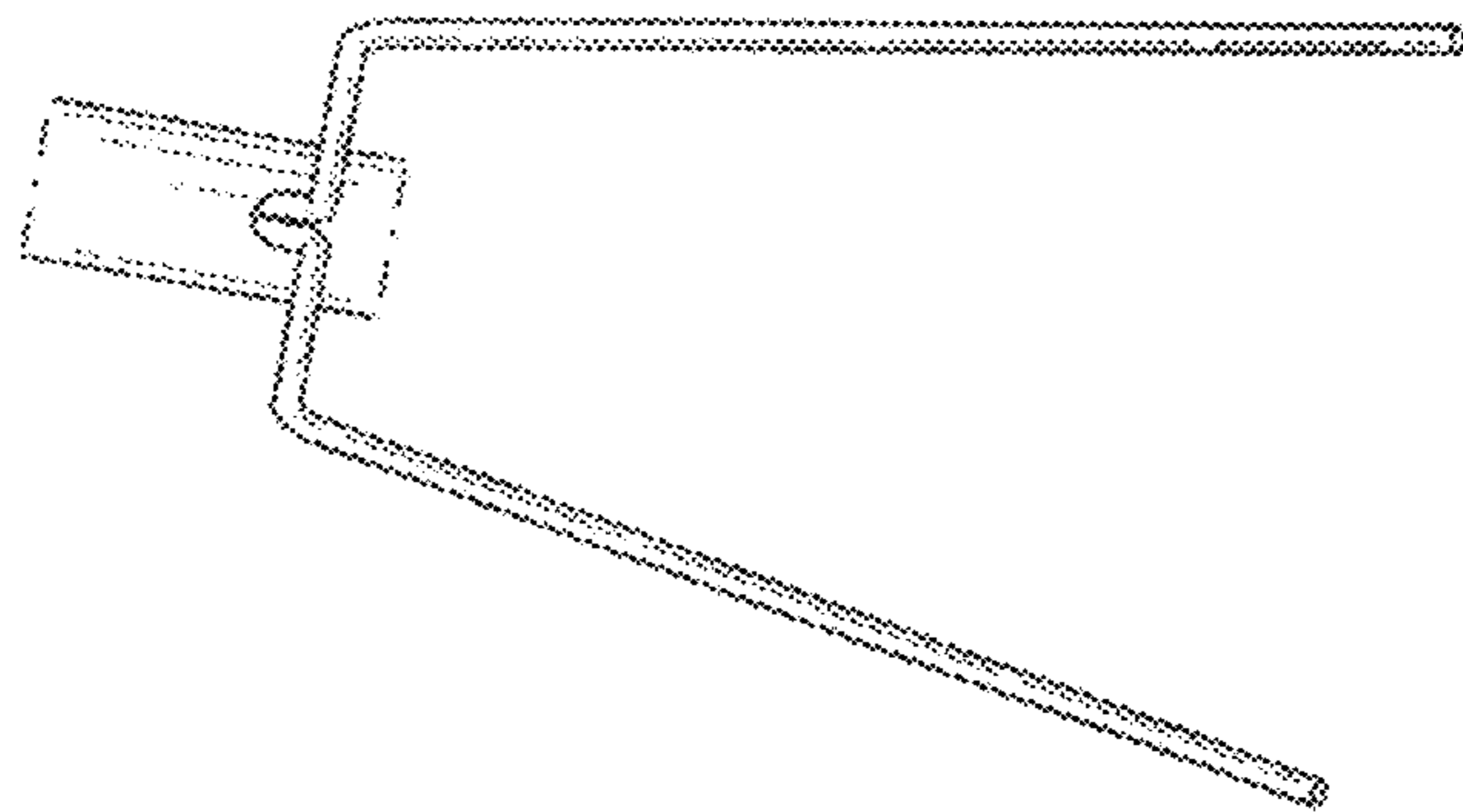


FIG. 37

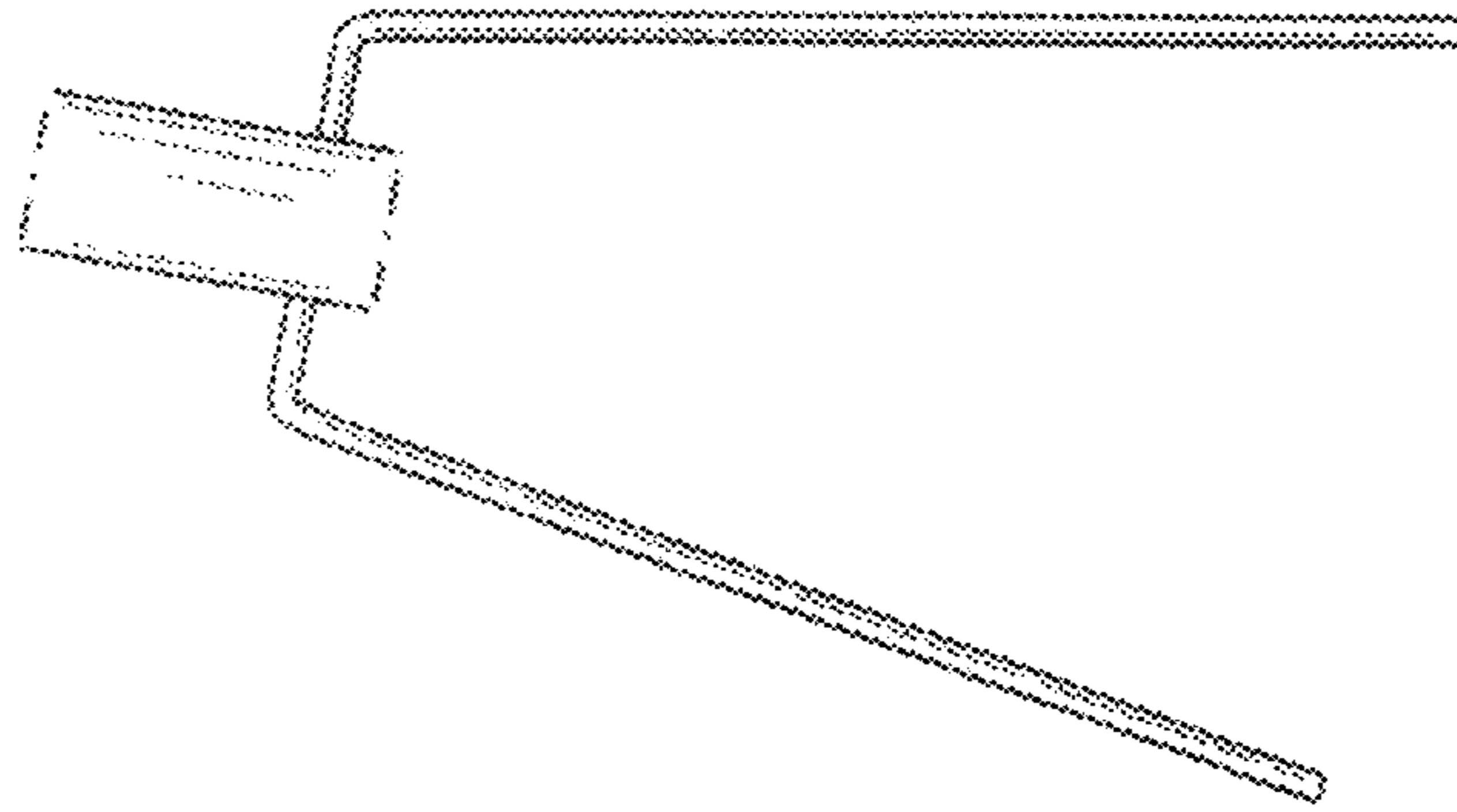


FIG. 38

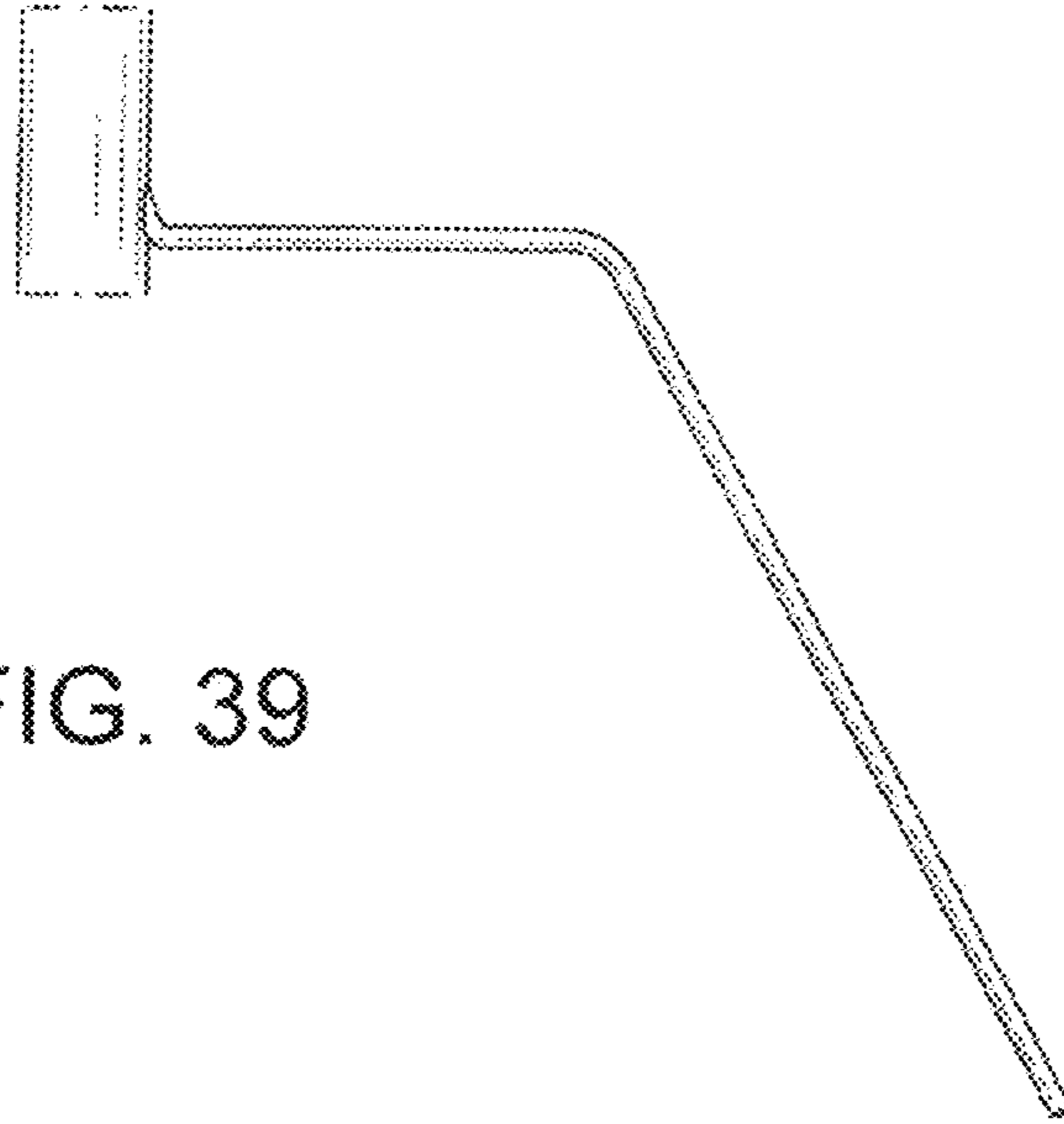


FIG. 39

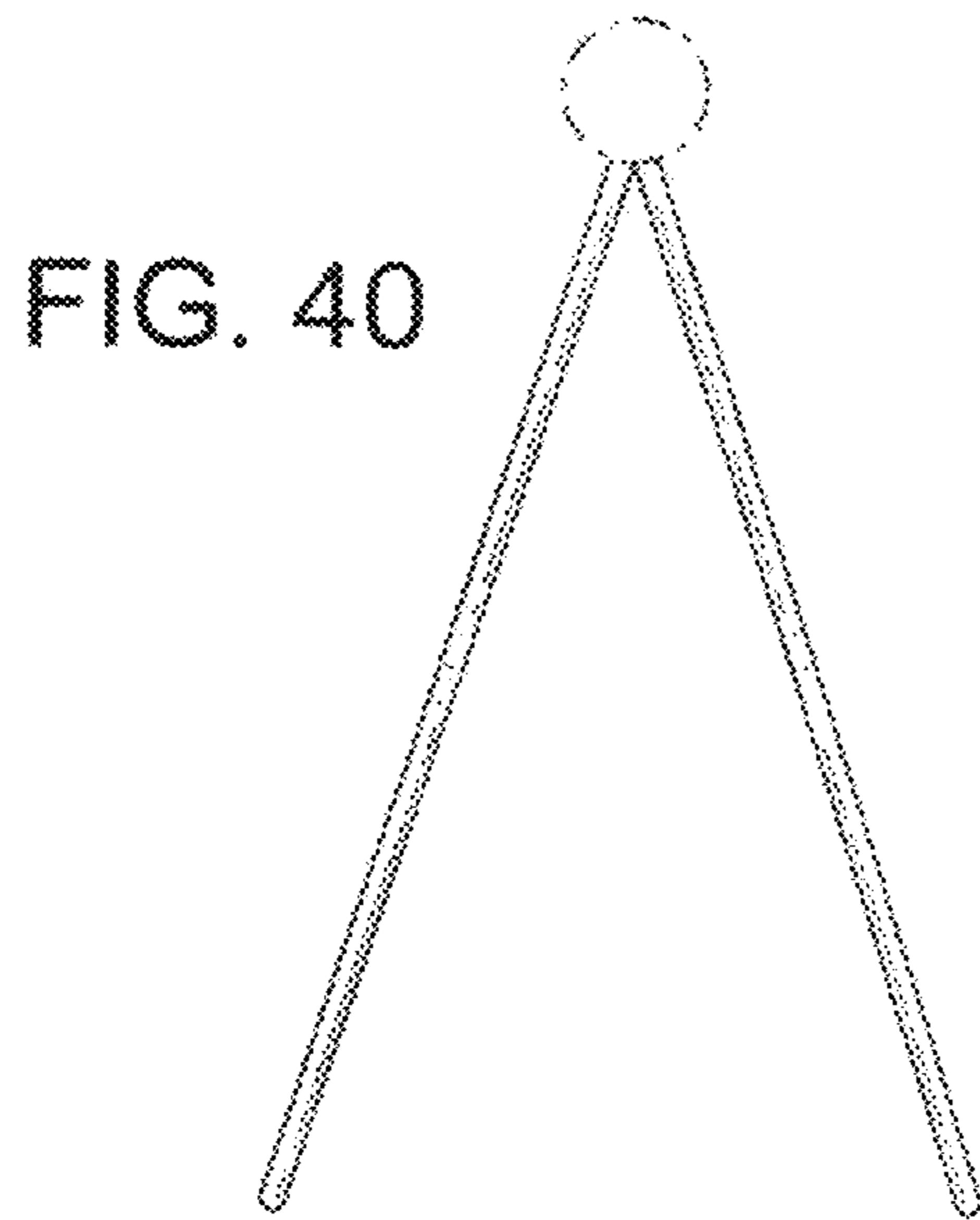


FIG. 40

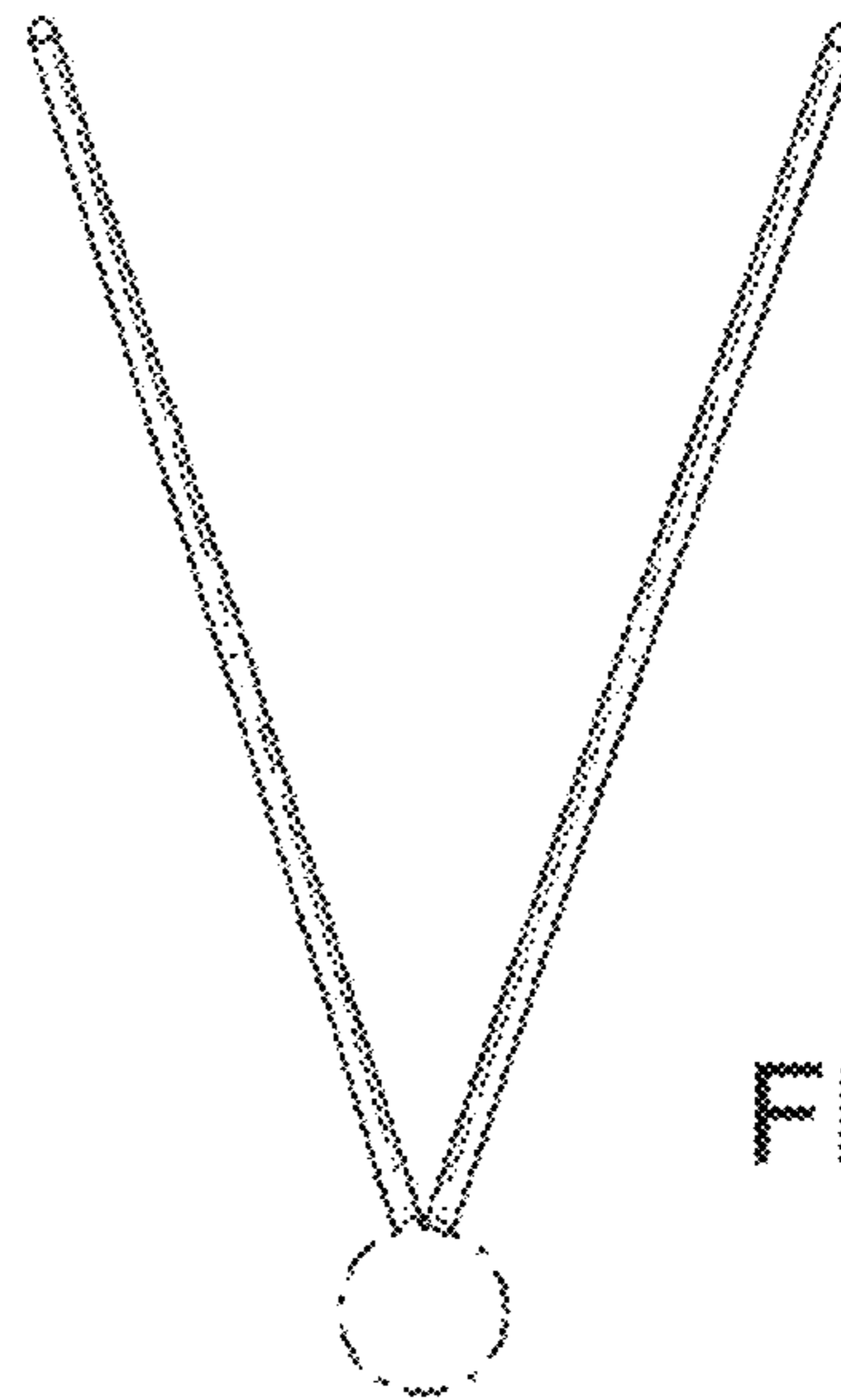
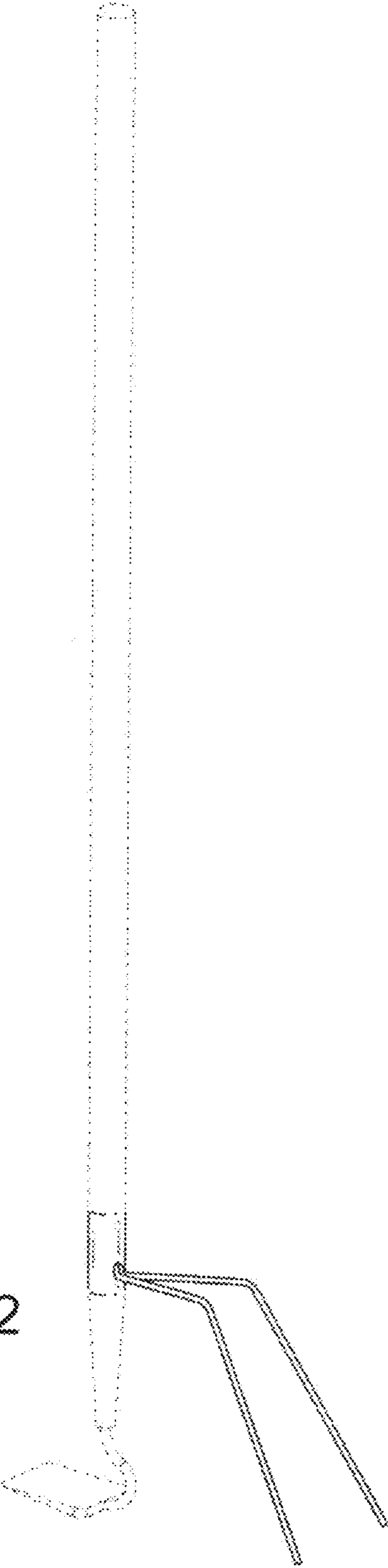


FIG. 41

FIG. 42



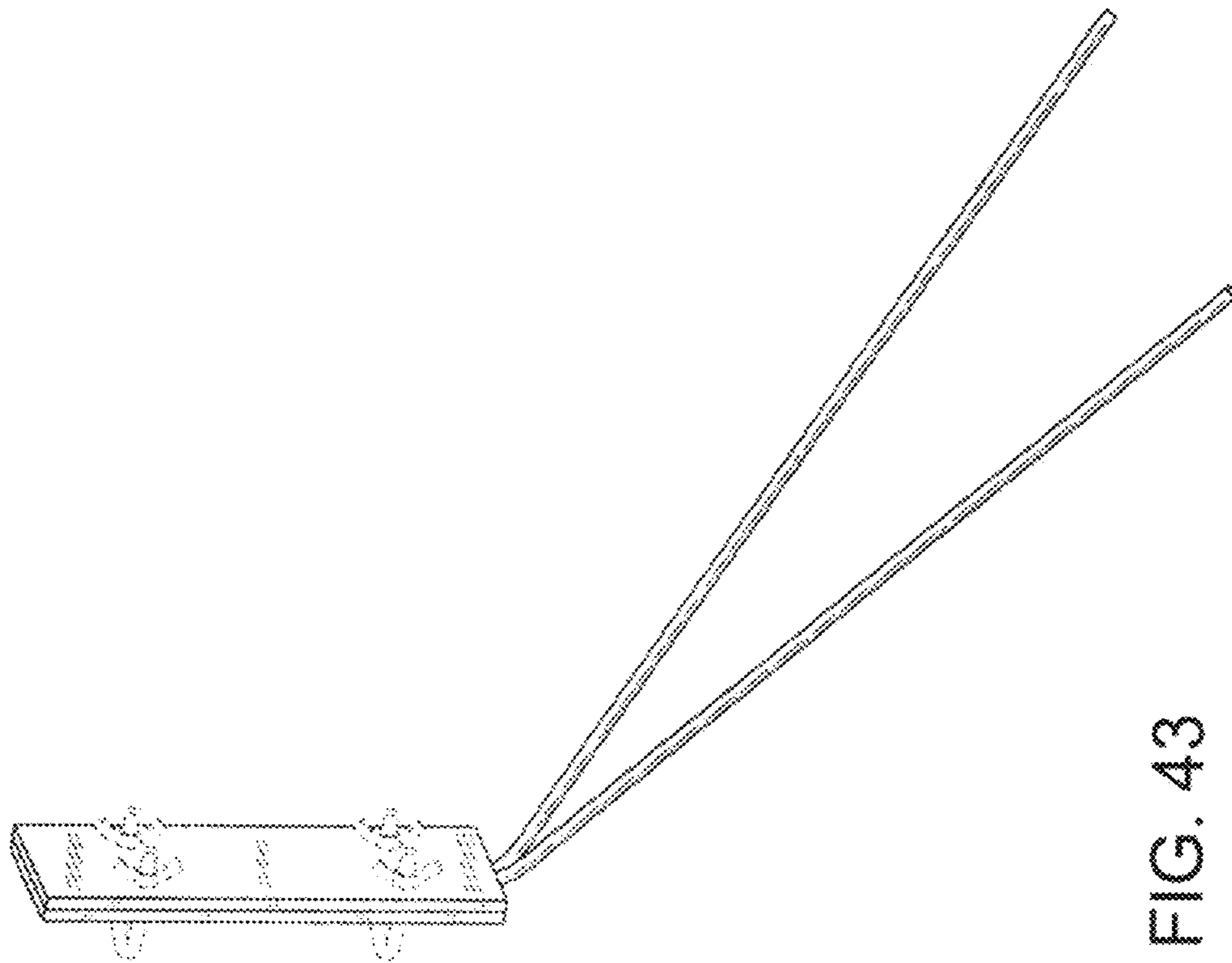


FIG. 43

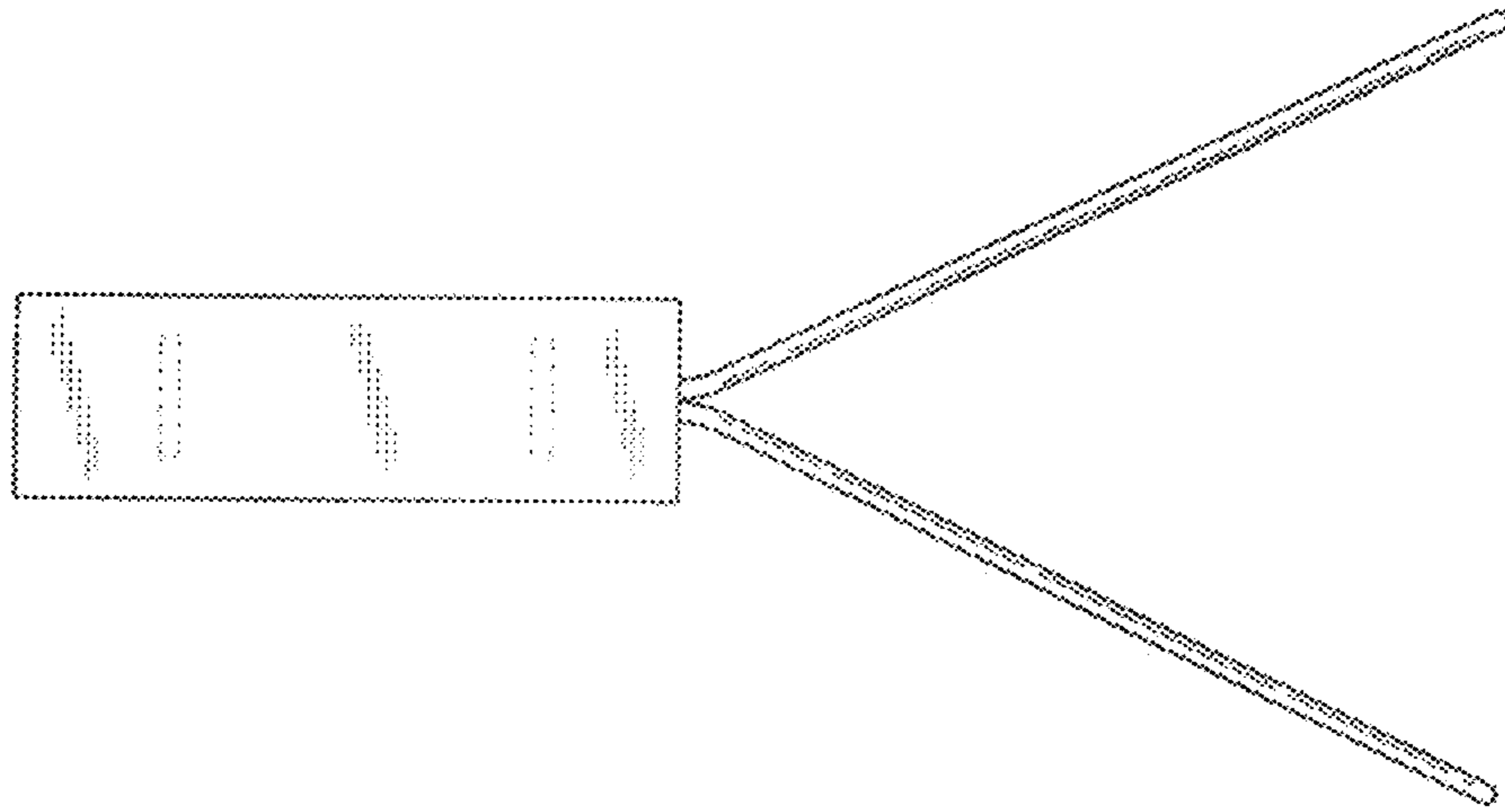


FIG. 45

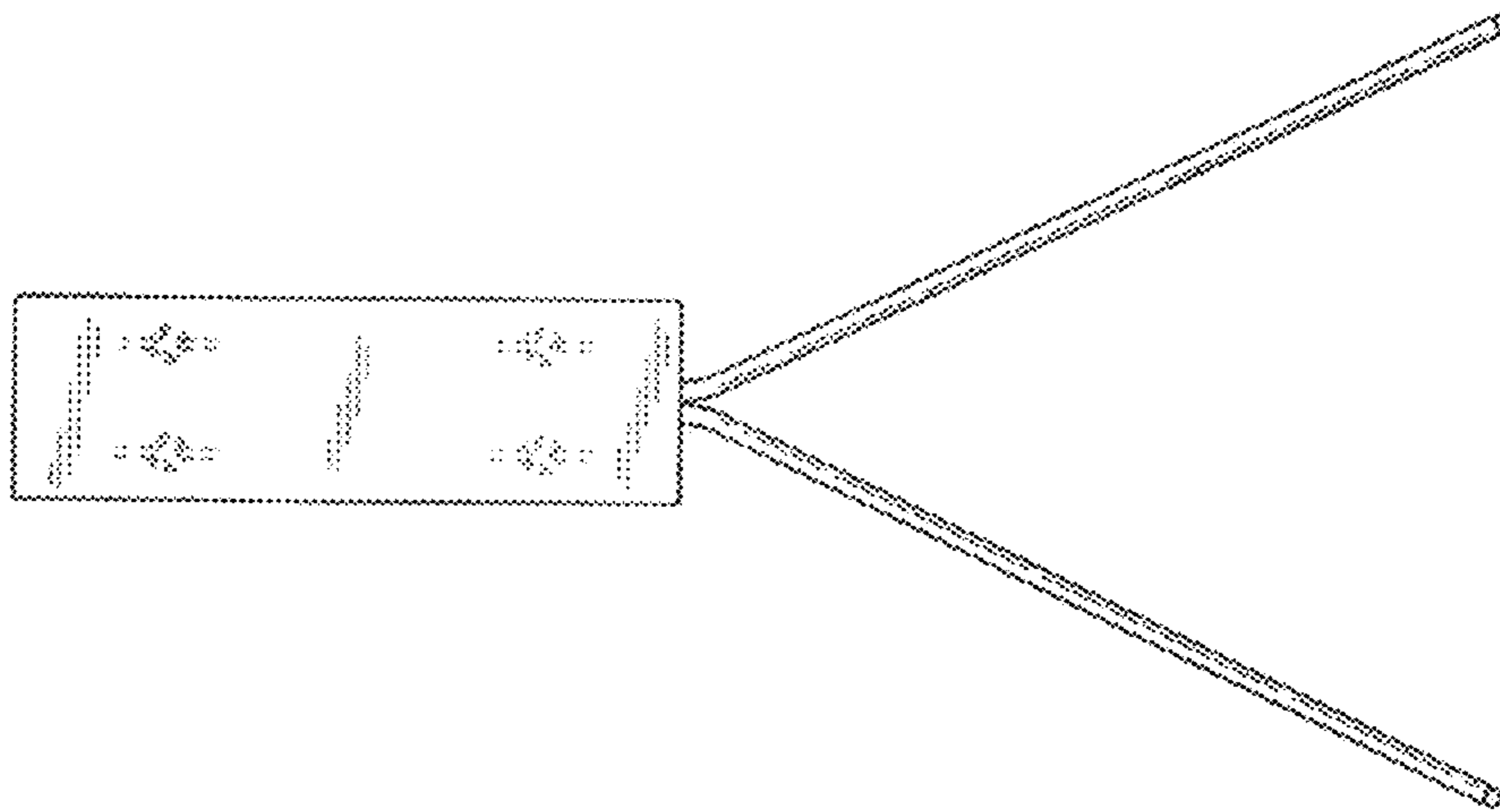


FIG. 44

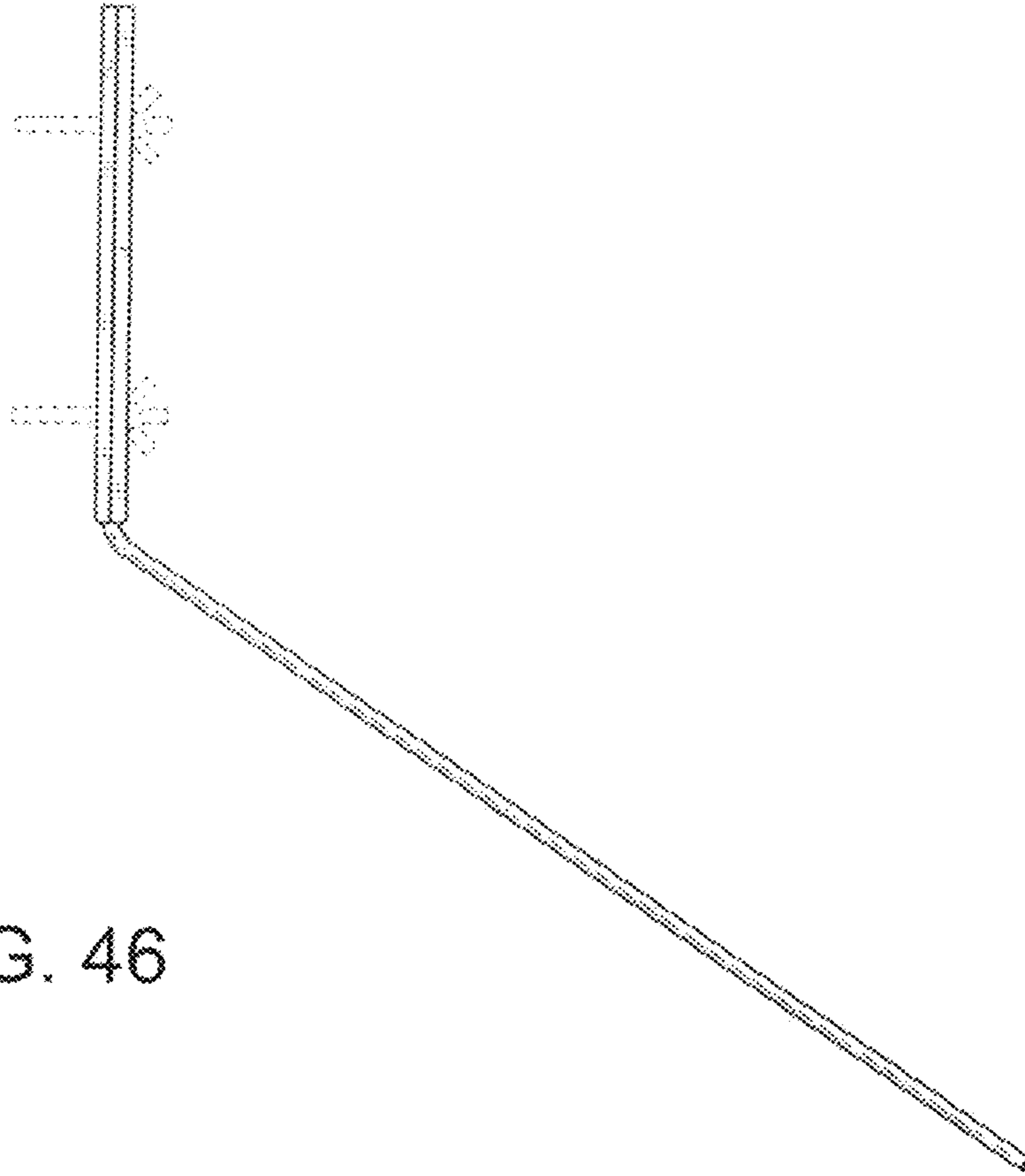


FIG. 46

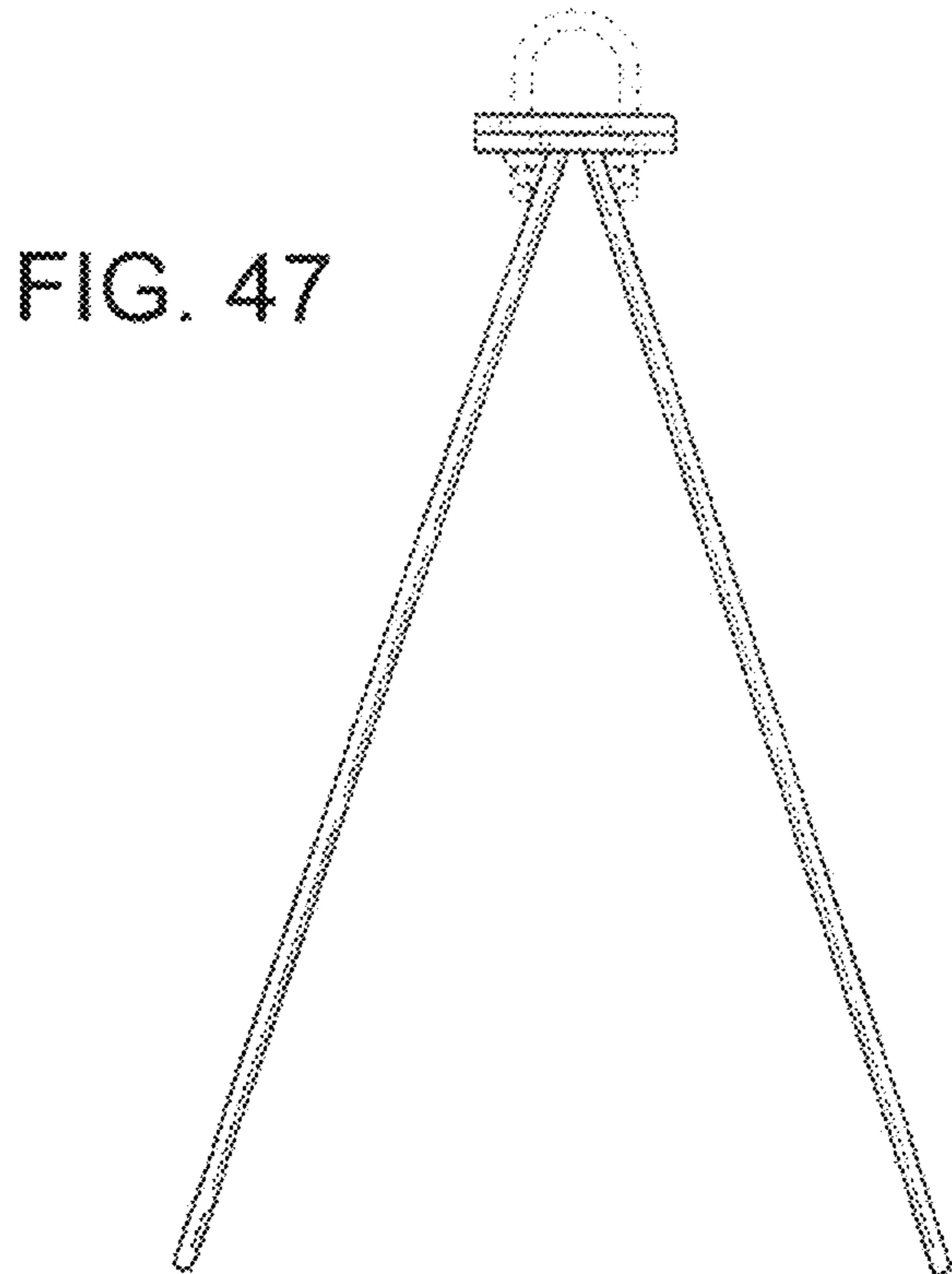
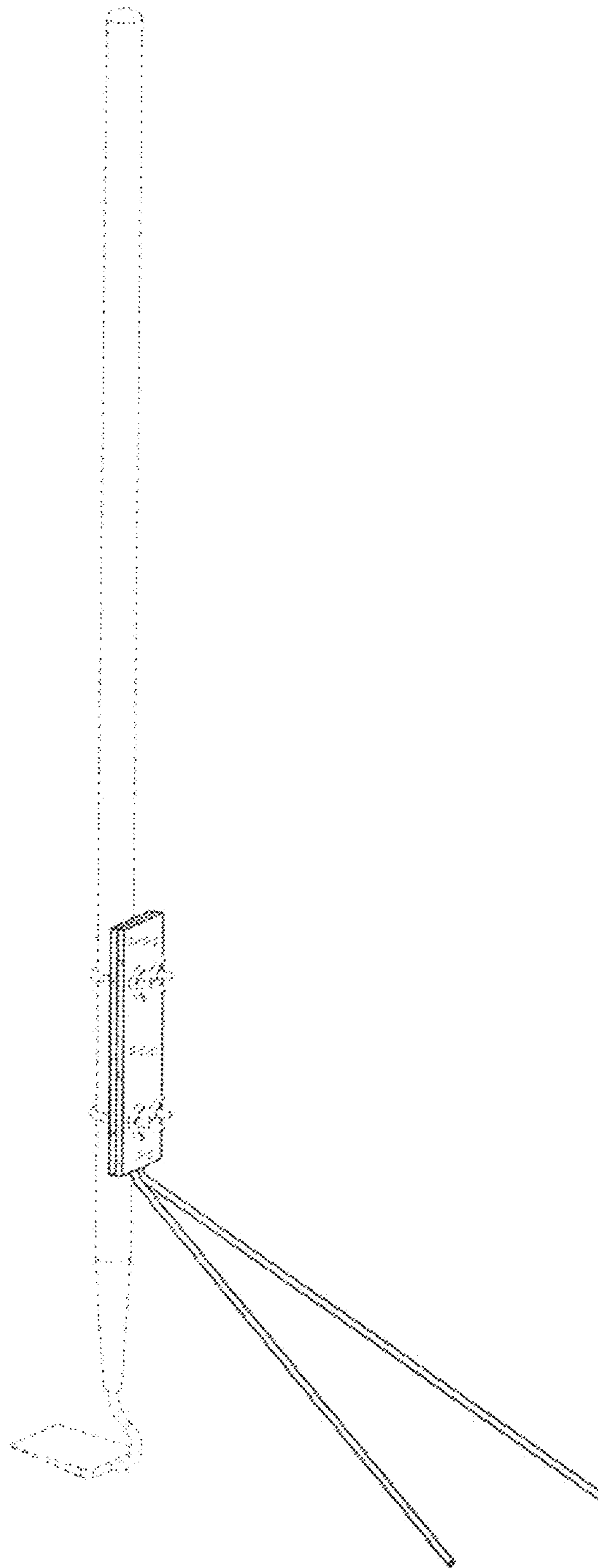


FIG. 47



FIG. 48

FIG. 49



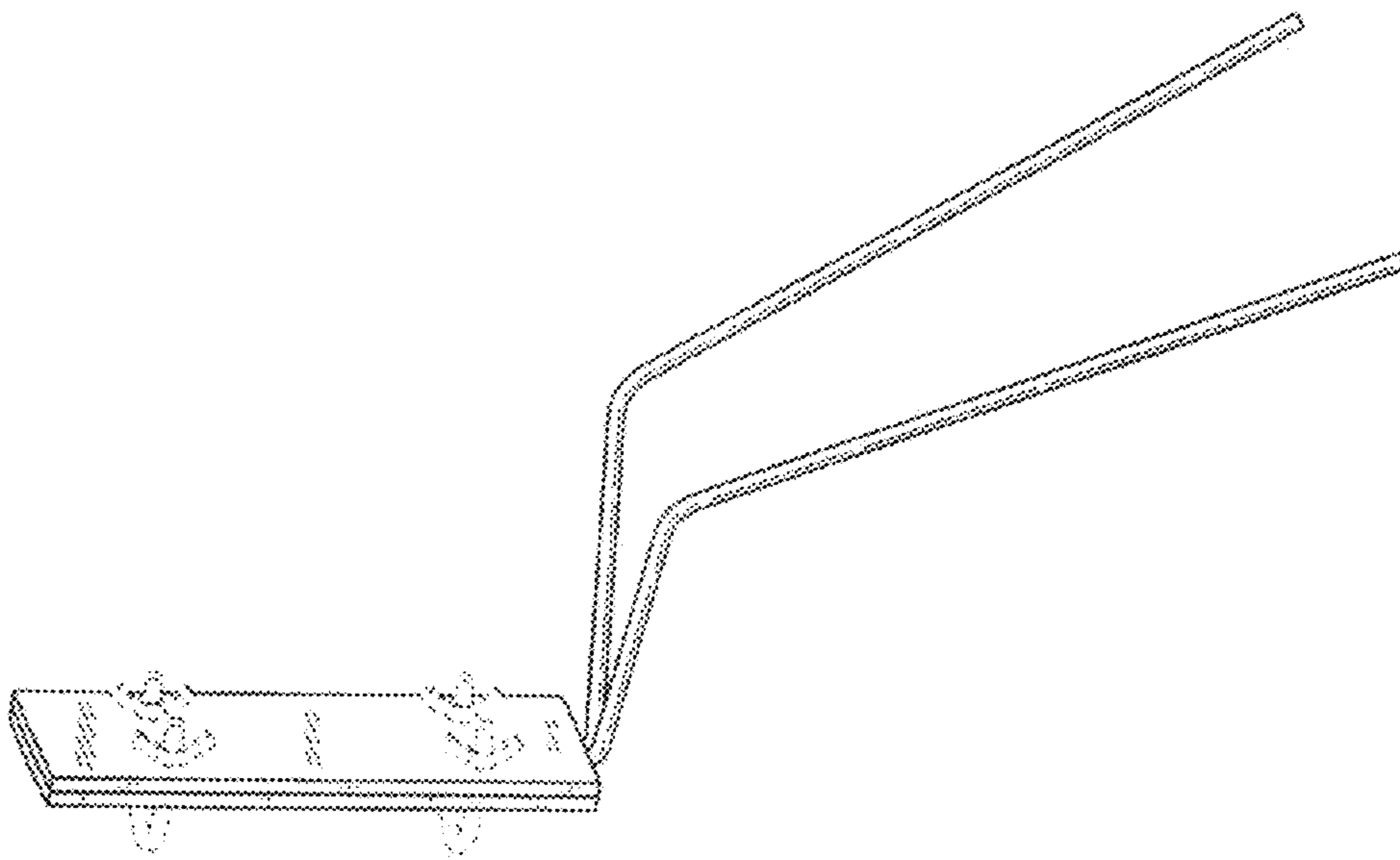


FIG. 50

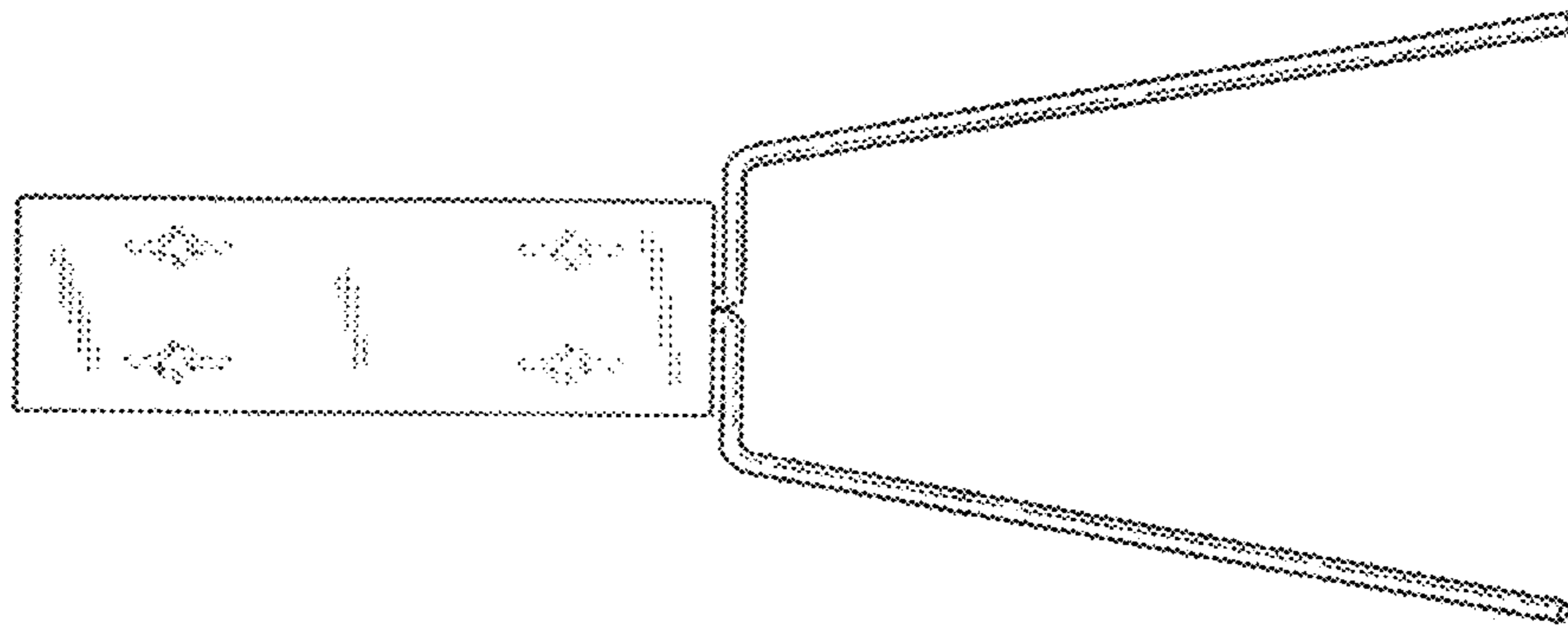


FIG. 51

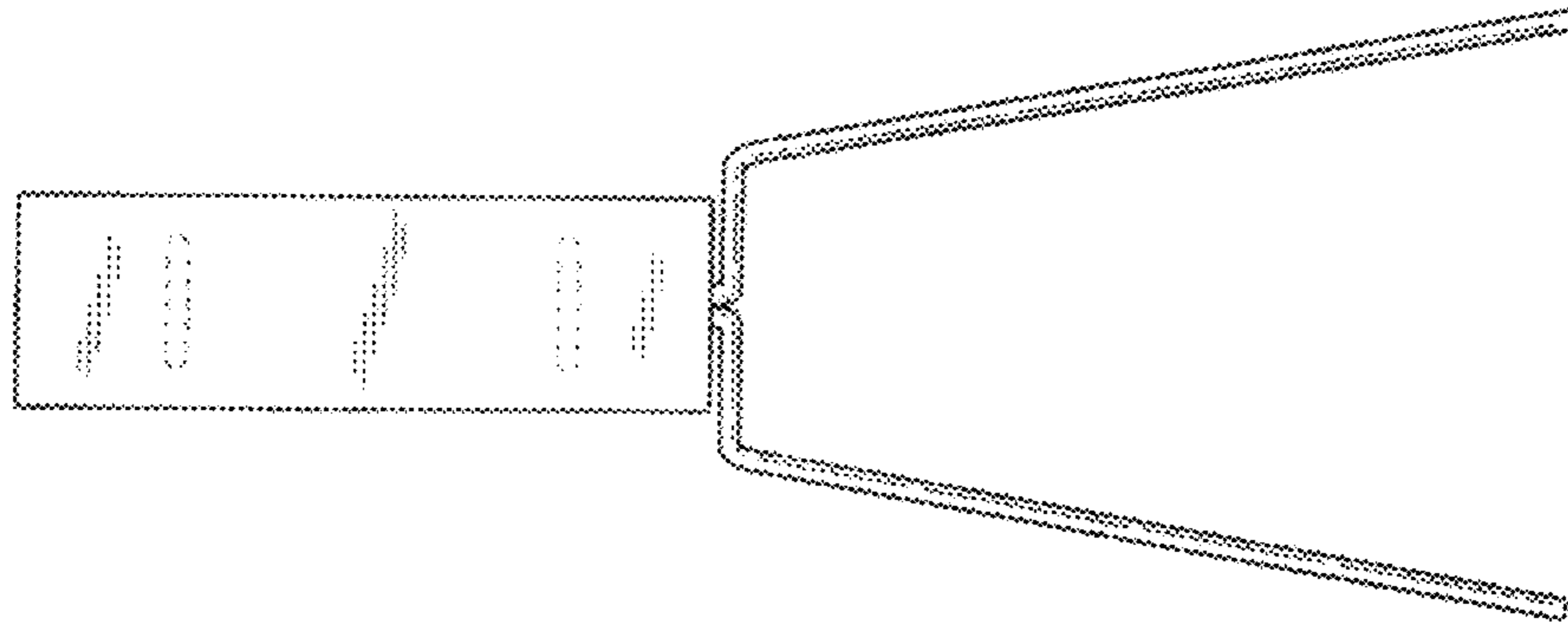


FIG. 52

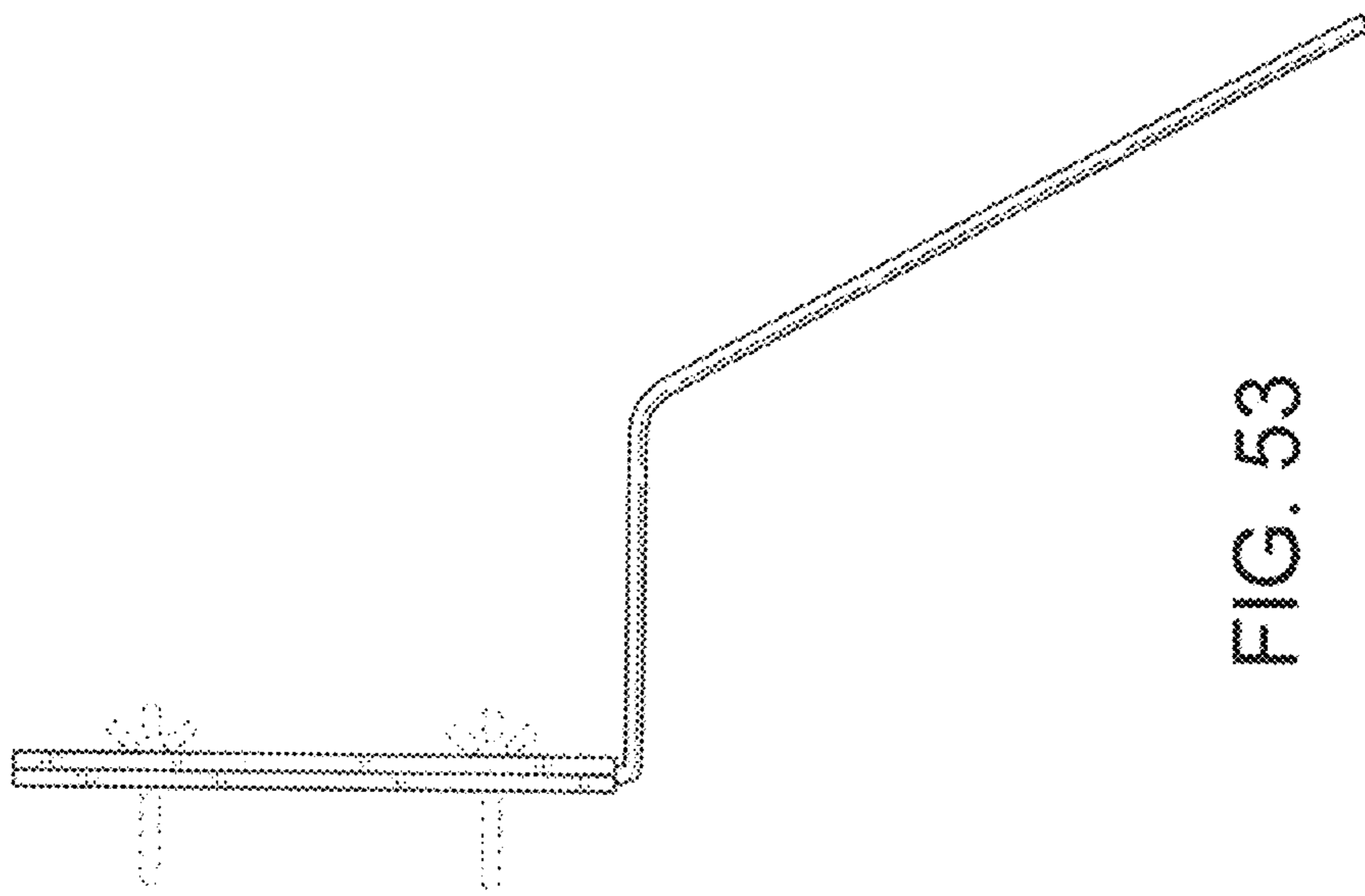


FIG. 53

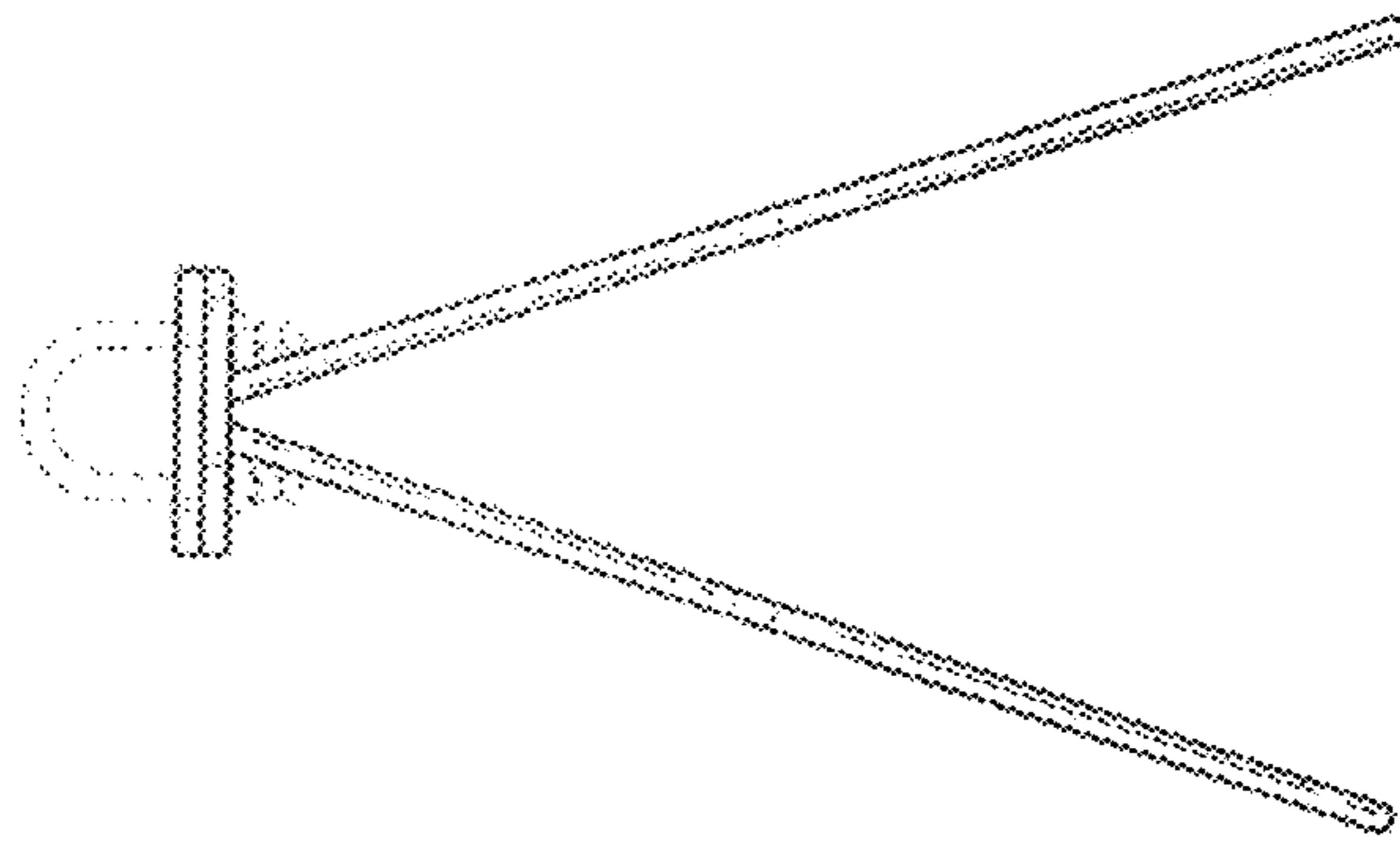


FIG. 54

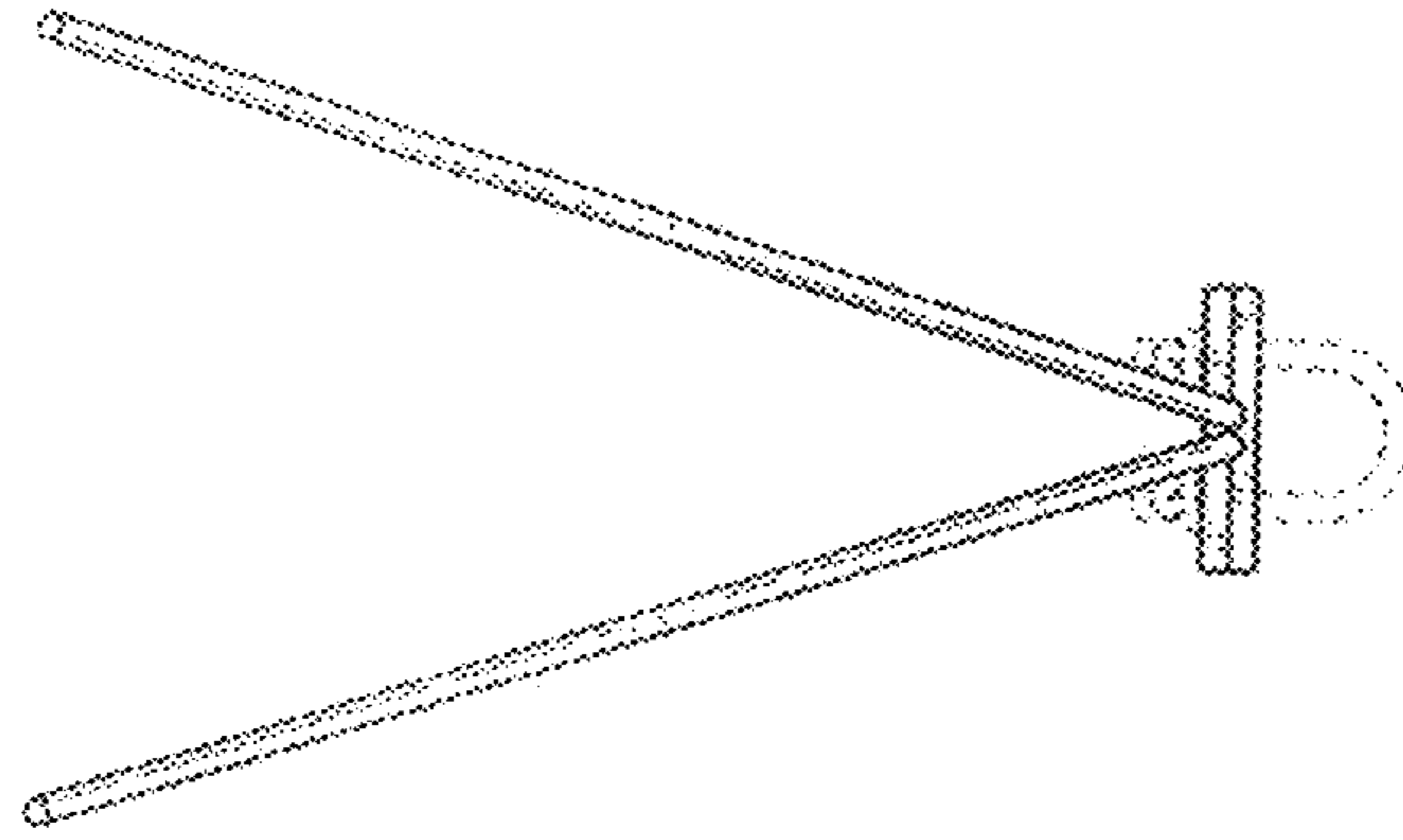


FIG. 55

FIG. 56

