



US00D938793S

(12) **United States Design Patent** (10) **Patent No.:** **US D938,793 S**
Stopp et al. (45) **Date of Patent:** **** Dec. 21, 2021**

(54) **TOOL HOLDER ASSEMBLY** D618,715 S * 6/2010 Corcoran D15/140
D635,429 S * 4/2011 Hakki D8/70
(71) Applicant: **Cricut, Inc.**, South Jordan, UT (US) 8,021,085 B1 * 9/2011 Nelson B23C 5/10
407/54
(72) Inventors: **Grayson Stopp**, San Francisco, CA D669,988 S * 10/2012 Packard D24/147
(US); **John Dalton**, South Jordan, UT D697,769 S * 1/2014 Lion D7/694
(US); **Jeremy B. Crystal**, Springville, 9,079,286 B1 * 7/2015 DeCamillis B24B 23/02
UT (US); **Joaquin Fernandez**, D741,134 S * 10/2015 Massey D8/70
Oakland, CA (US) D877,214 S * 3/2020 Crisp D15/127
D887,246 S * 6/2020 Chang D8/107
D902,998 S * 11/2020 Wolter D19/202
D902,999 S * 11/2020 Wolter D19/202
(73) Assignee: **Cricut, Inc.**, South Jordan, UT (US) 2003/0059263 A1 * 3/2003 Chen B23C 5/10
407/54
(**) Term: **15 Years** (Continued)

(21) Appl. No.: **29/697,391**

OTHER PUBLICATIONS

(22) Filed: **Jul. 8, 2019**
(51) **LOC (13) Cl.** **08-05**
(52) **U.S. Cl.**
USPC **D8/71**
(58) **Field of Classification Search**
USPC D15/140; D08/71, 14, 107, 98, 47
CPC B25B 23/0028; B25F 1/04; B23B
2231/2027; B23C 2250/04; B23C 5/26
See application file for complete search history.

Cricut Maker NEW Tools, Date Published: Jul. 8, 2019, Youtube,
Date Visited: Nov. 30, 2020, <https://www.youtube.com/watch?v=nKcn9KHcdDI> (Year: 2019).*

Primary Examiner — Susan Bennett Hattan
Assistant Examiner — Elizabeth S Ko

(57) **CLAIM**

The ornamental design for a tool holder assembly, as shown and described.

(56) **References Cited**

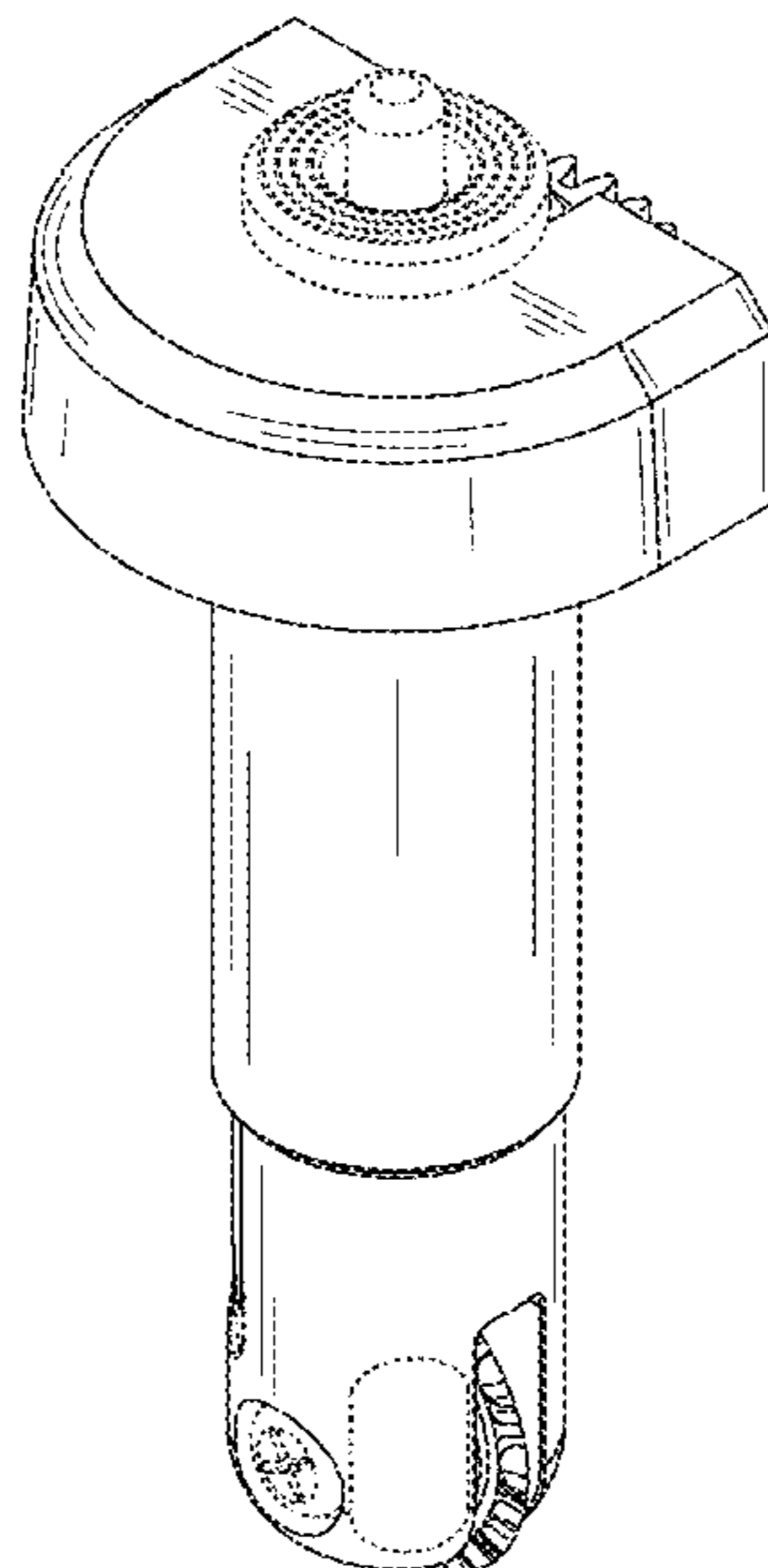
DESCRIPTION

U.S. PATENT DOCUMENTS

4,019,822 A * 4/1977 Matsumoto B43K 19/00
401/96
D278,245 S * 4/1985 Smith D15/140
D278,344 S * 4/1985 Smith D15/140
D344,005 S * 2/1994 Arai D8/98
D383,962 S * 9/1997 Daley D19/163
D392,537 S * 3/1998 Schulz D8/51
6,216,348 B1 * 4/2001 Martirosian B26B 1/10
30/329
D484,977 S * 1/2004 Ryan D24/133
D511,003 S * 10/2005 Sliwa, Jr. D24/147
D514,420 S * 2/2006 Xu D8/107
D565,917 S * 4/2008 Peterson D8/98
D592,482 S * 5/2009 Gregory D8/107

FIG. 1 is a front, left, top isometric view;
FIG. 2 is a front, left, bottom isometric view;
FIG. 3 is a right side elevation view;
FIG. 4 is a left side elevation view,
FIG. 5 is a front side elevation view;
FIG. 6 is a back side elevation view;
FIG. 7 is an enlarged top plan view; and,
FIG. 8 is an enlarged bottom plan view.
The broken lines in the figures show portions of the tool holder assembly that form no part of the claimed design.

1 Claim, 7 Drawing Sheets



(56)

References Cited

U.S. PATENT DOCUMENTS

2004/0242794 A1* 12/2004 Kanazawa D06M 14/26
525/327.3
2006/0029479 A1* 2/2006 Stoll B23B 31/1179
409/136
2006/0090345 A1* 5/2006 Stravitz B26B 29/02
30/50
2008/0282551 A1* 11/2008 Stravitz B26B 29/02
30/265
2009/0295104 A1* 12/2009 Cover B44B 11/02
279/83
2015/0258699 A1* 9/2015 Vander Woude B26D 5/34
83/13
2016/0167188 A1* 6/2016 Davis B24B 3/247
451/48
2017/0259450 A1* 9/2017 Oka B65H 35/0086
2019/0061025 A1* 2/2019 Trecapelli B23C 5/26

* cited by examiner

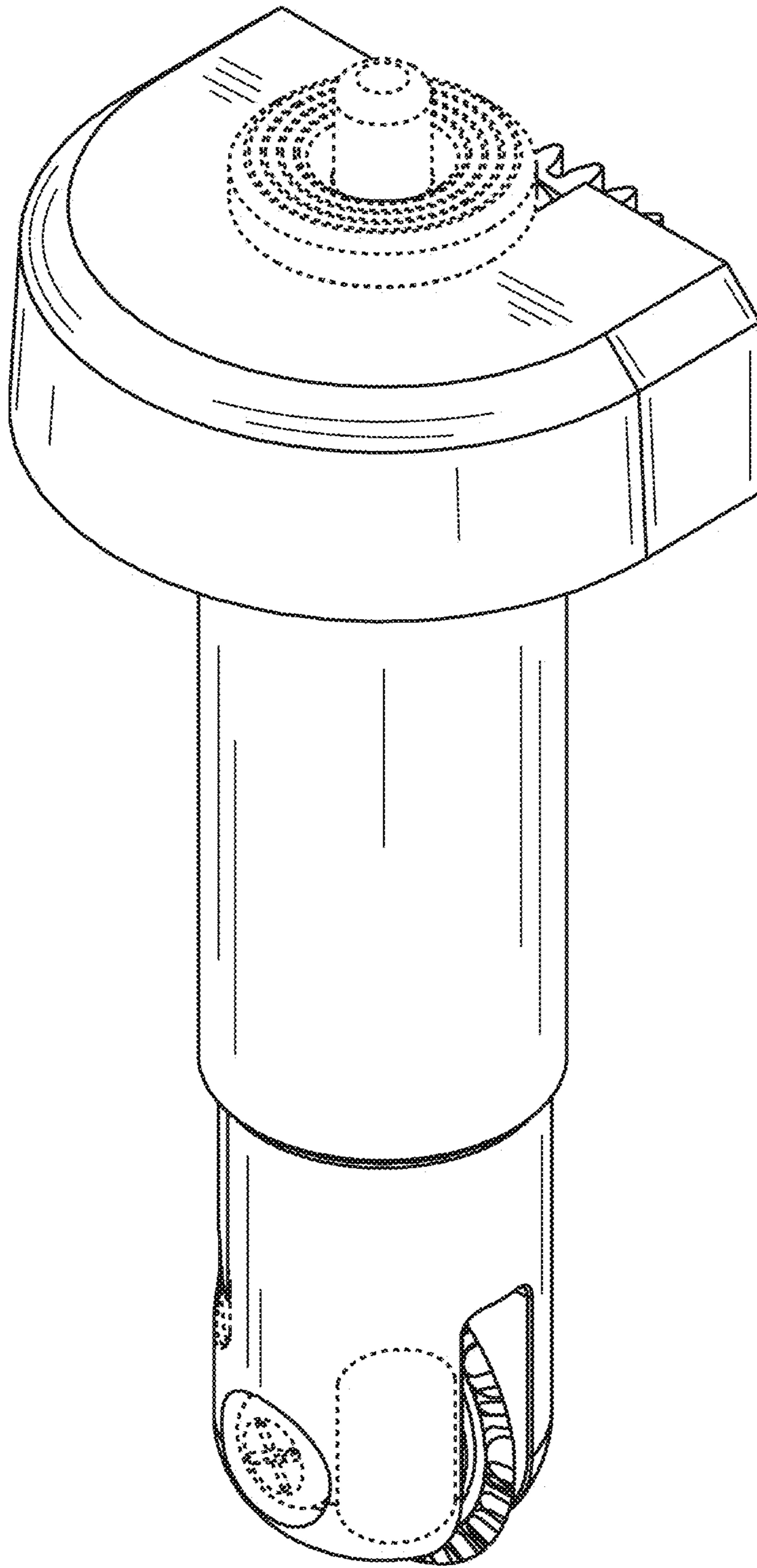


FIG. 1

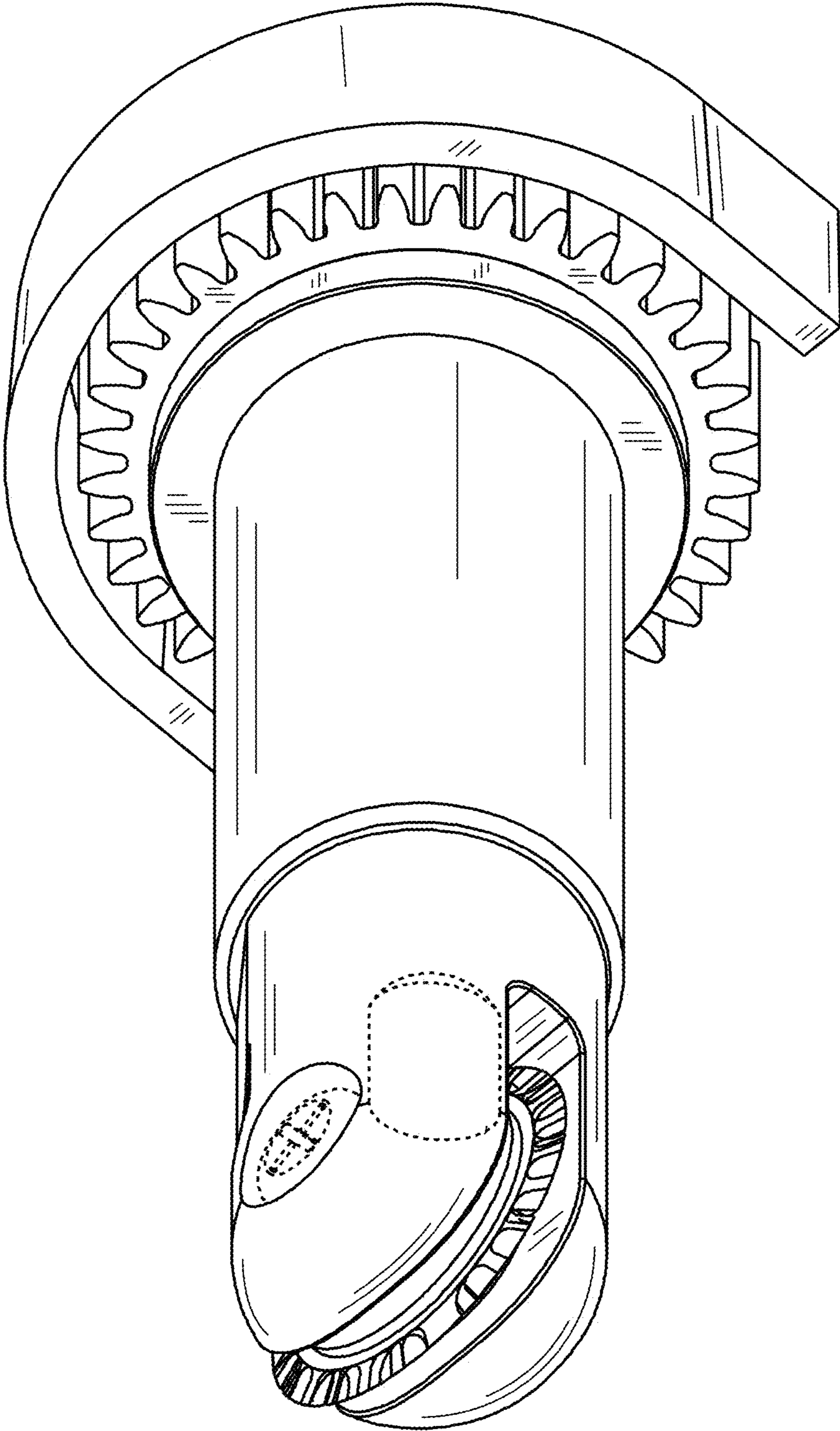


FIG. 2

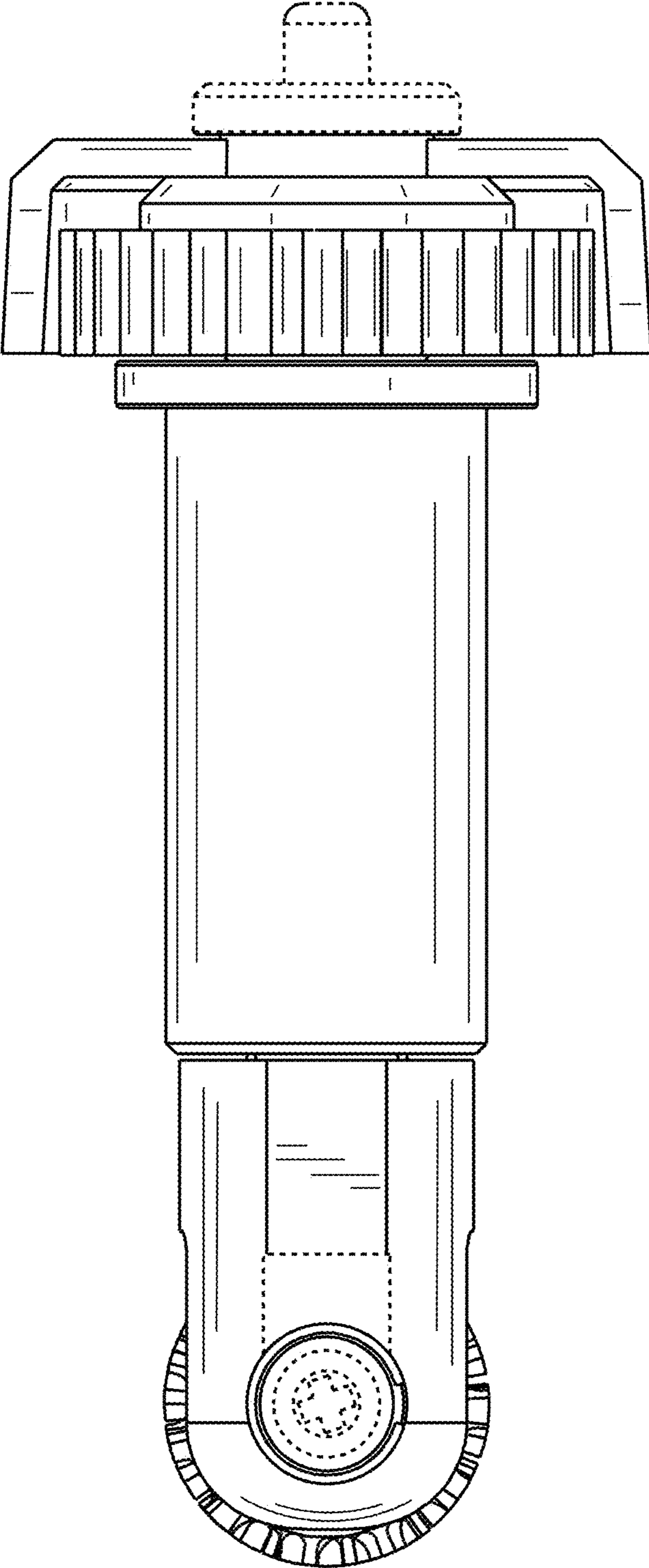


FIG. 3

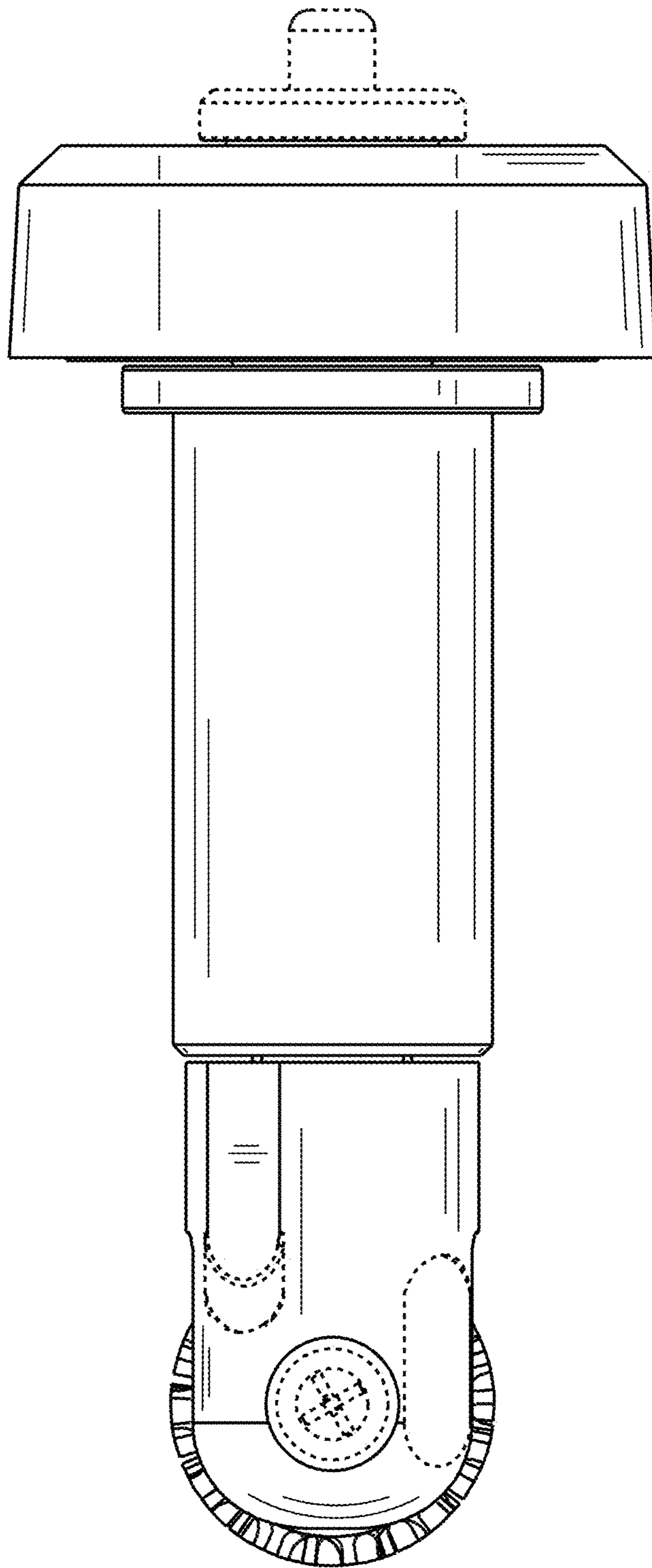


FIG. 4

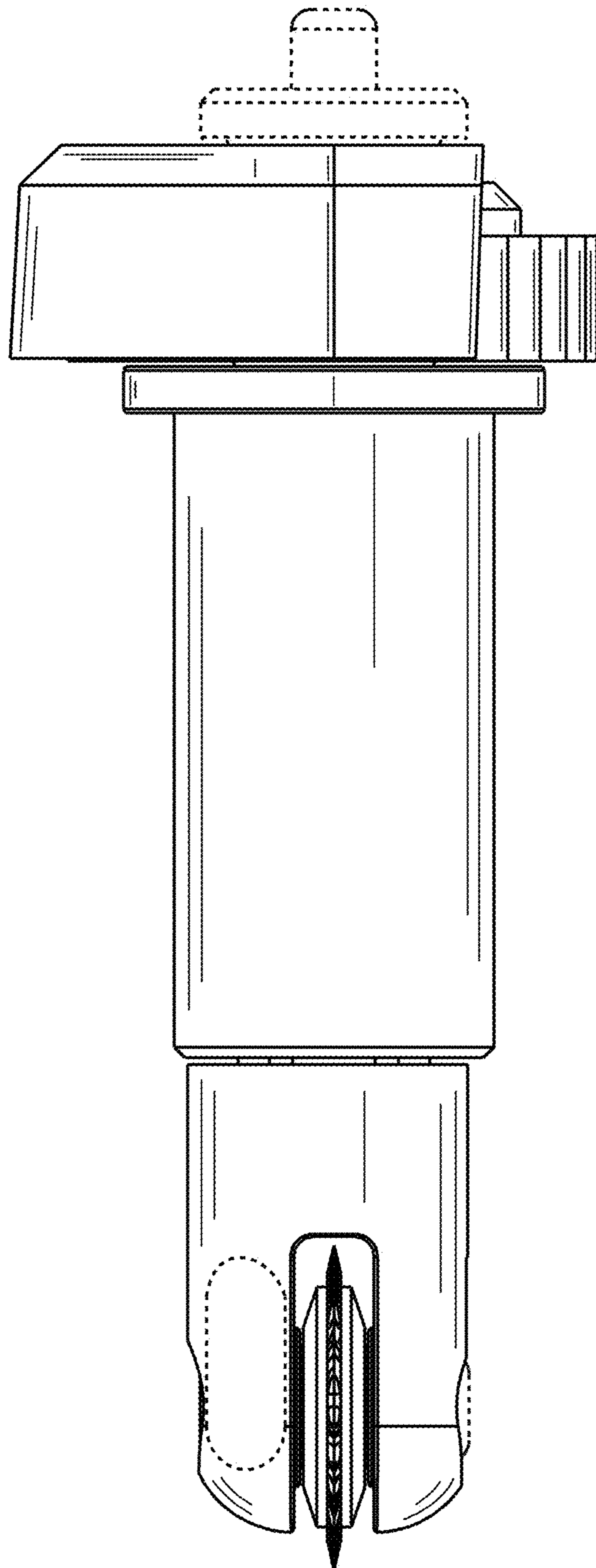


FIG. 5

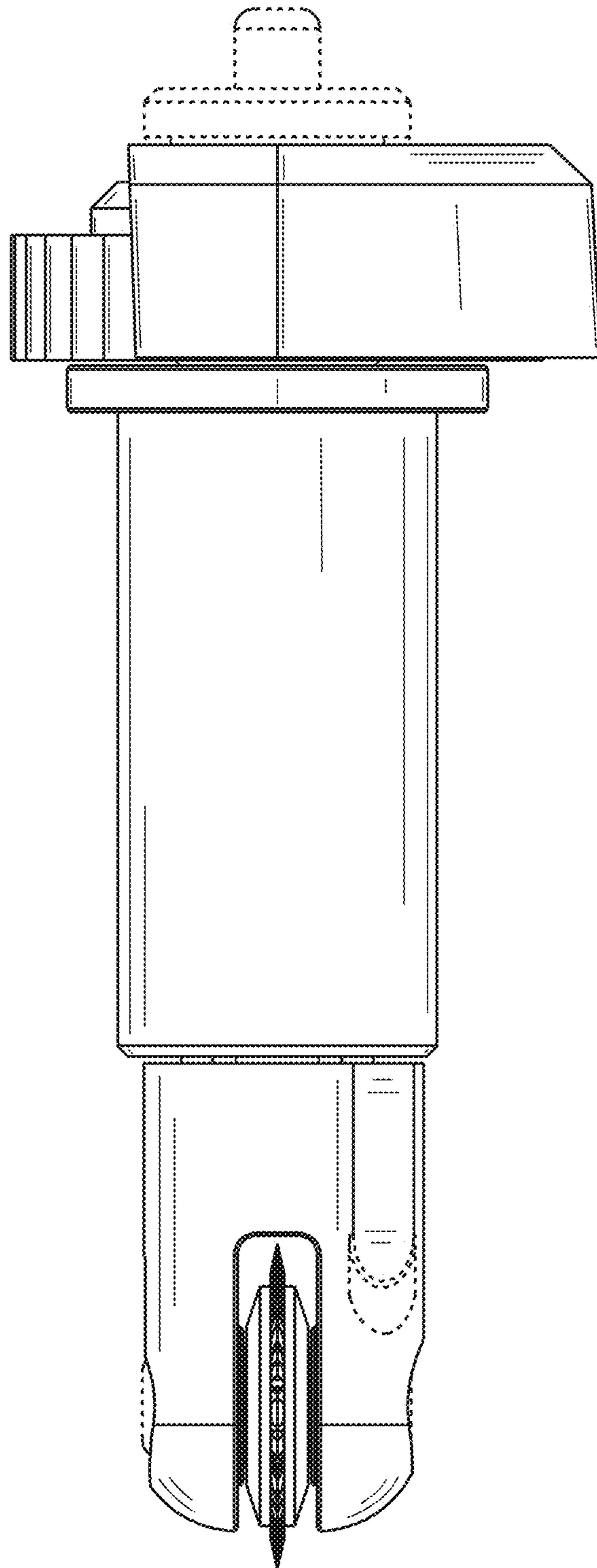


FIG. 6

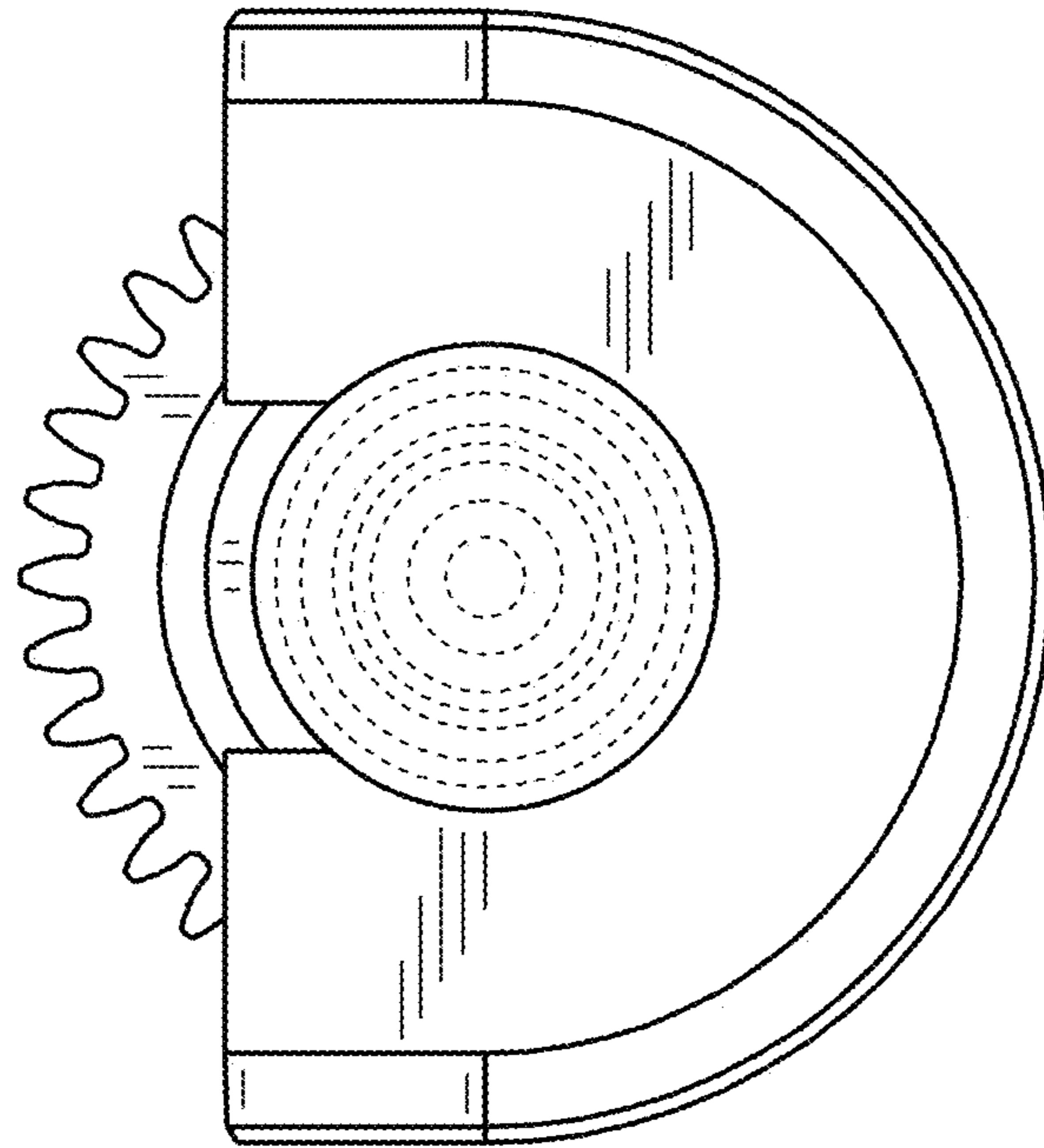


FIG. 7

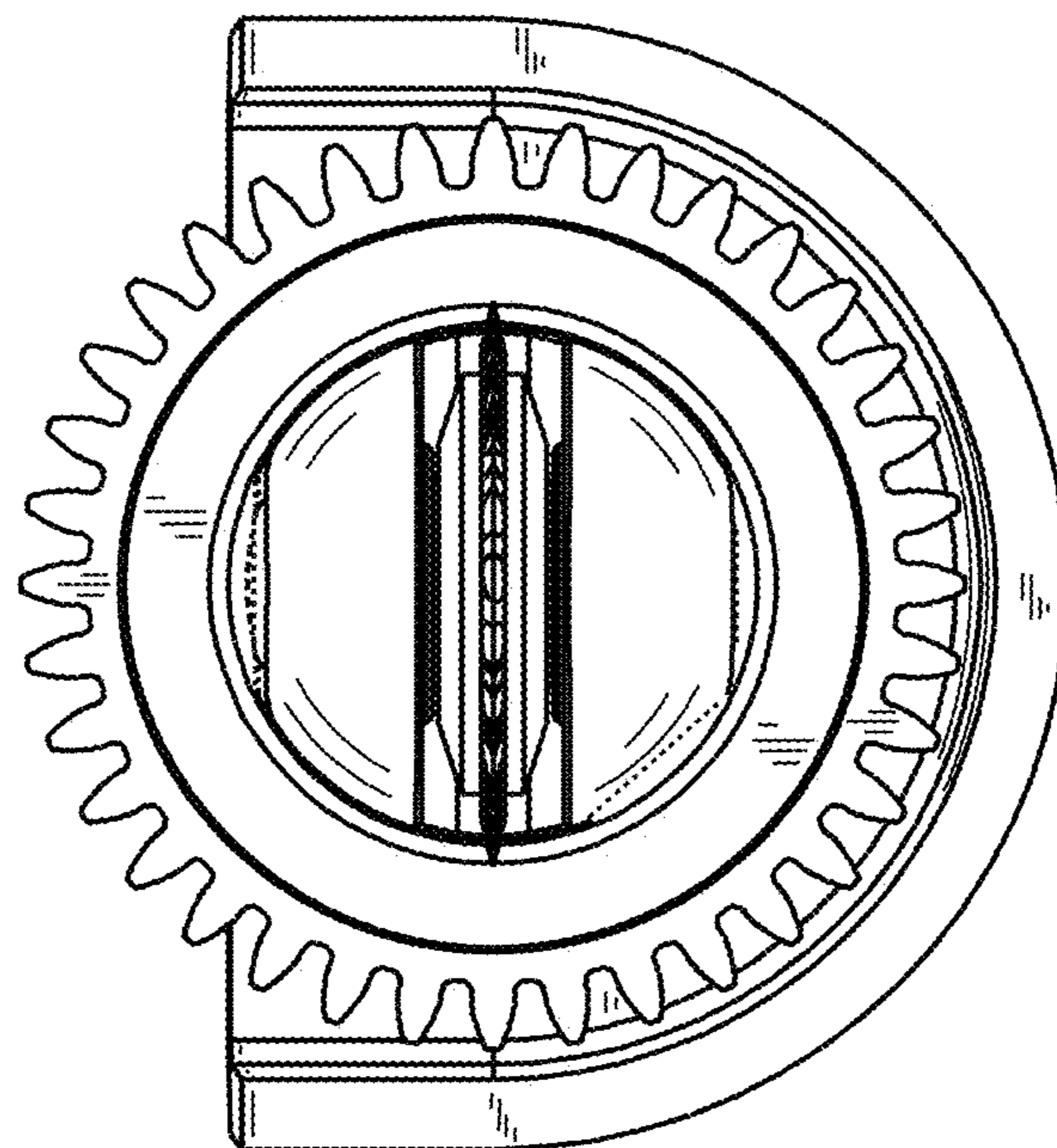


FIG. 8