



US00D938791S

(12) **United States Design Patent**
Misawa et al.

(10) **Patent No.:** **US D938,791 S**

(45) **Date of Patent:** **** Dec. 21, 2021**

(54) **PORTABLE ELECTRIC BAND SAW**

(71) Applicant: **MAKITA CORPORATION**, Anjo (JP)

(72) Inventors: **Taiki Misawa**, Anjo (JP); **Yuta Okuhira**, Anjo (JP)

(73) Assignee: **MAKITA CORPORATION**, Anjo (JP)

(**) Term: **15 Years**

(21) Appl. No.: **29/727,567**

(22) Filed: **Mar. 11, 2020**

(30) **Foreign Application Priority Data**

Sep. 12, 2019 (JP) 2019-020415

(51) **LOC (13) Cl.** **08-03**

(52) **U.S. Cl.**
USPC **D8/64**

(58) **Field of Classification Search**
USPC D8/61-62, 64, 66, 69; D21/532
CPC B23D 55/082; B23D 49/10; B23D 49/167;
B23D 51/02; B23D 45/00; B27B 9/00;
B27B 9/02; B27B 5/02; B27B 5/18;
B27B 33/08; B28D 1/04; B28D 1/045
See application file for complete search history.

(56) **References Cited**

U.S. PATENT DOCUMENTS

D316,507 S *	4/1991	Fushiya	D8/64
D530,580 S *	10/2006	Hayakawa	D8/64
D545,656 S *	7/2007	Welsh	D8/64
D546,153 S *	7/2007	Hayakawa	D8/64
D571,175 S *	6/2008	Wright	D8/64
D627,203 S *	11/2010	Serdynski	D8/64
8,549,760 B2 *	10/2013	Bertsch	B23D 55/00 30/380
8,763,258 B2 *	7/2014	Miller	B23D 53/12 30/380

(Continued)

OTHER PUBLICATIONS

Makita DPB183Z Portable Band Saw, Date Visited: May 20, 2021, Amazon, Date Available: Sep. 17, 2020, <https://www.amazon.co.uk/Makita-DPB183Z-Portable-Band-Saw/dp/B08HN4F4DP> (Year: 2020).*

Primary Examiner — Susan Bennett Hattan

Assistant Examiner — Elizabeth S Ko

(74) *Attorney, Agent, or Firm* — Global IP Counselors, LLP

(57) **CLAIM**

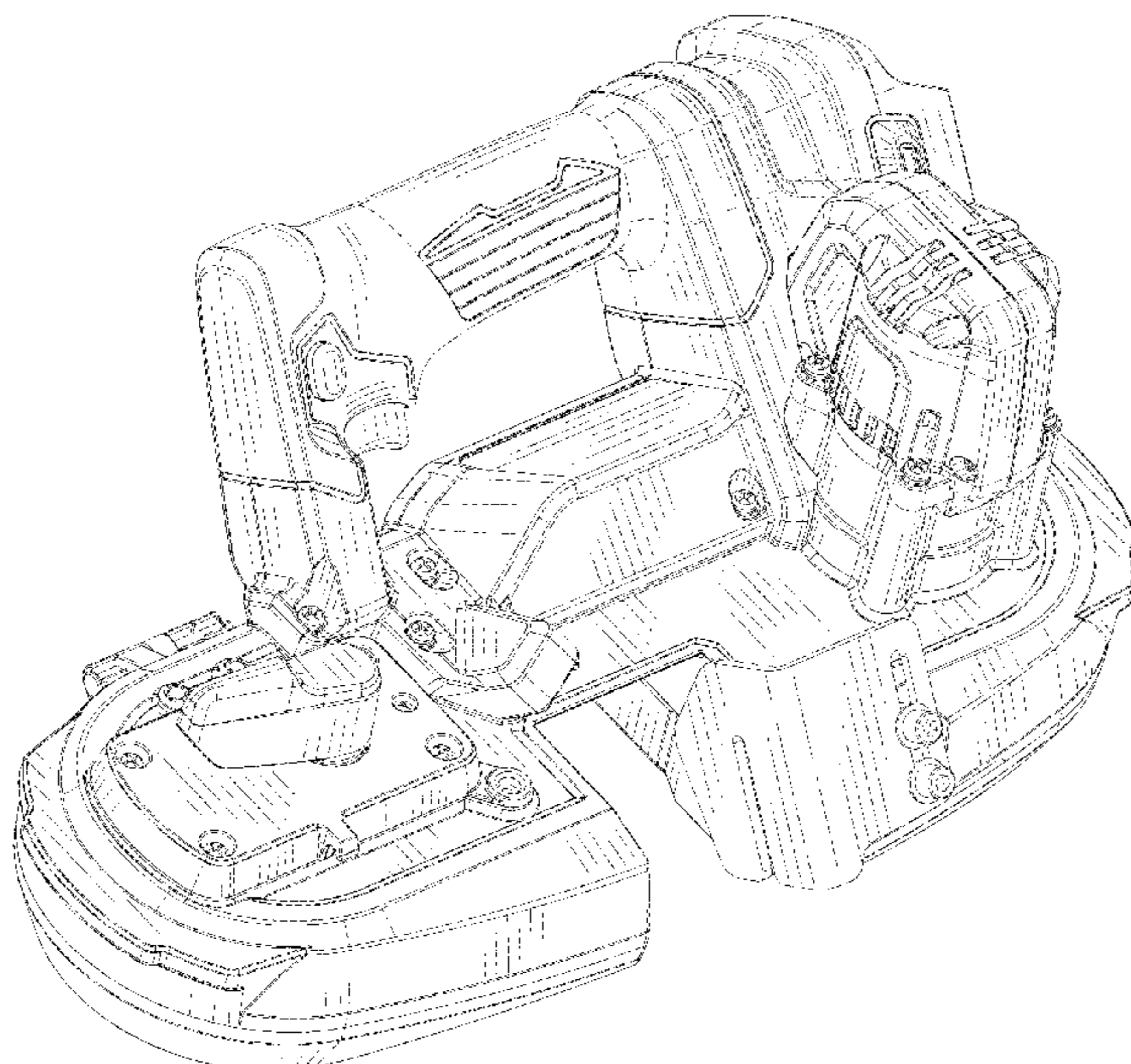
The ornamental design for a portable electric band saw, as shown and described.

DESCRIPTION

FIG. 1 is a front perspective view of a portable electric band saw in accordance with our new design;
FIG. 2 is a rear perspective view of the portable electric band saw in accordance with our new design;
FIG. 3 is a front elevational view of the portable electric band saw in accordance with our new design;
FIG. 4 is a rear elevational view of the portable electric band saw in accordance with our new design;
FIG. 5 is a top plan view of the portable electric band saw in accordance with our new design;
FIG. 6 is a bottom plan view of the portable electric band saw in accordance with our new design;
FIG. 7 is a right side elevational view of the portable electric band saw in accordance with our new design;
FIG. 8 is a left side elevational view of the portable electric band saw in accordance with our new design; and,
FIG. 9 is a front perspective view of the portable electric band saw in accordance with our new design illustrating a state in use.

The broken line showing of environmental structures in the drawings forms no part of the claimed design.

1 Claim, 9 Drawing Sheets



(56)

References Cited

U.S. PATENT DOCUMENTS

D711,715 S * 8/2014 Takahashi D8/64
2004/0158996 A1* 8/2004 McIntosh B23D 55/06
30/380
2011/0296696 A1* 12/2011 Holly B27G 19/06
30/380
2020/0001382 A1* 1/2020 Kani B23D 55/10
2020/0276660 A1* 9/2020 Sitter B23B 5/16
2021/0129242 A1* 5/2021 Niwa B23D 55/06

* cited by examiner

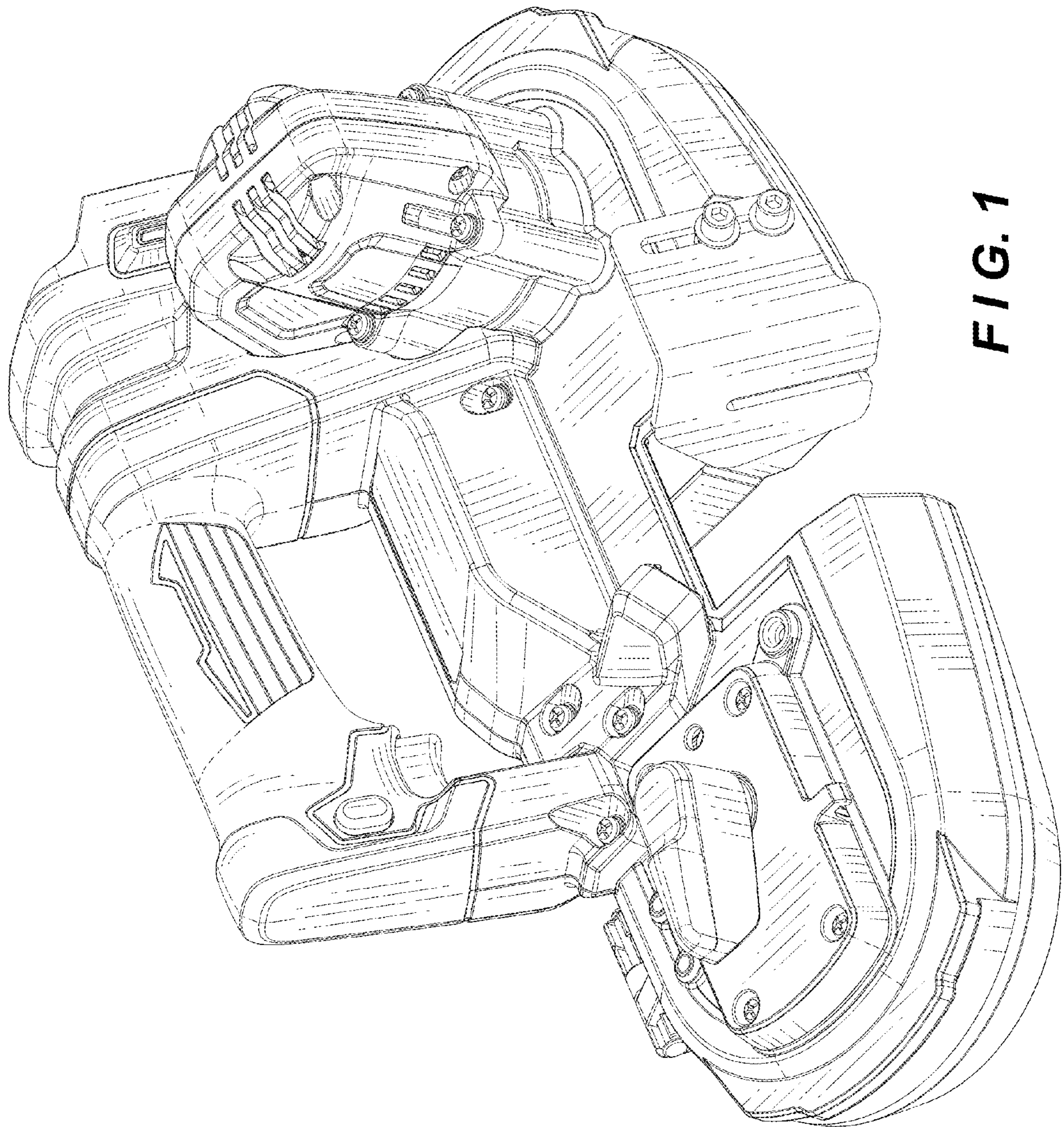


FIG. 1

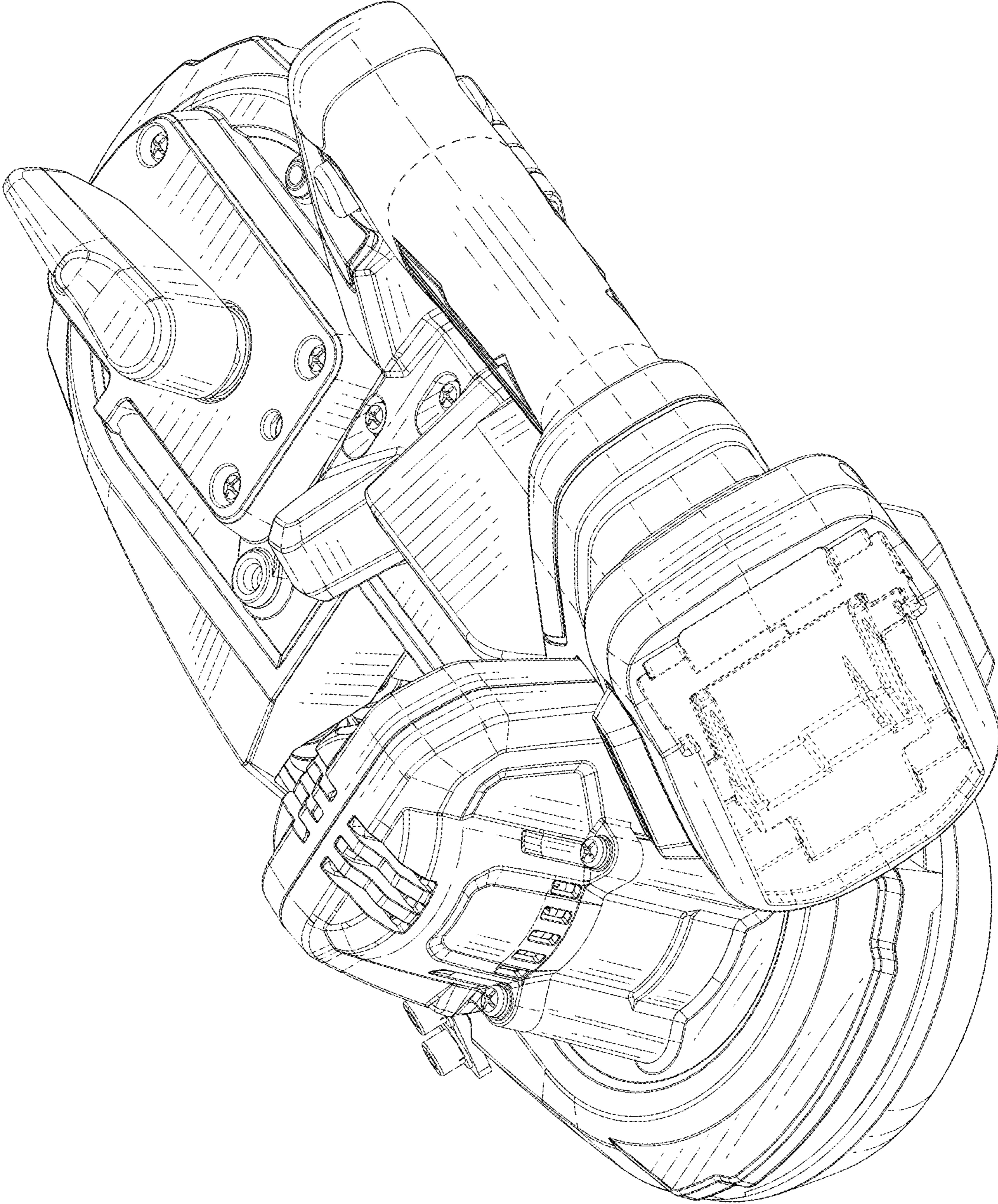


FIG. 2

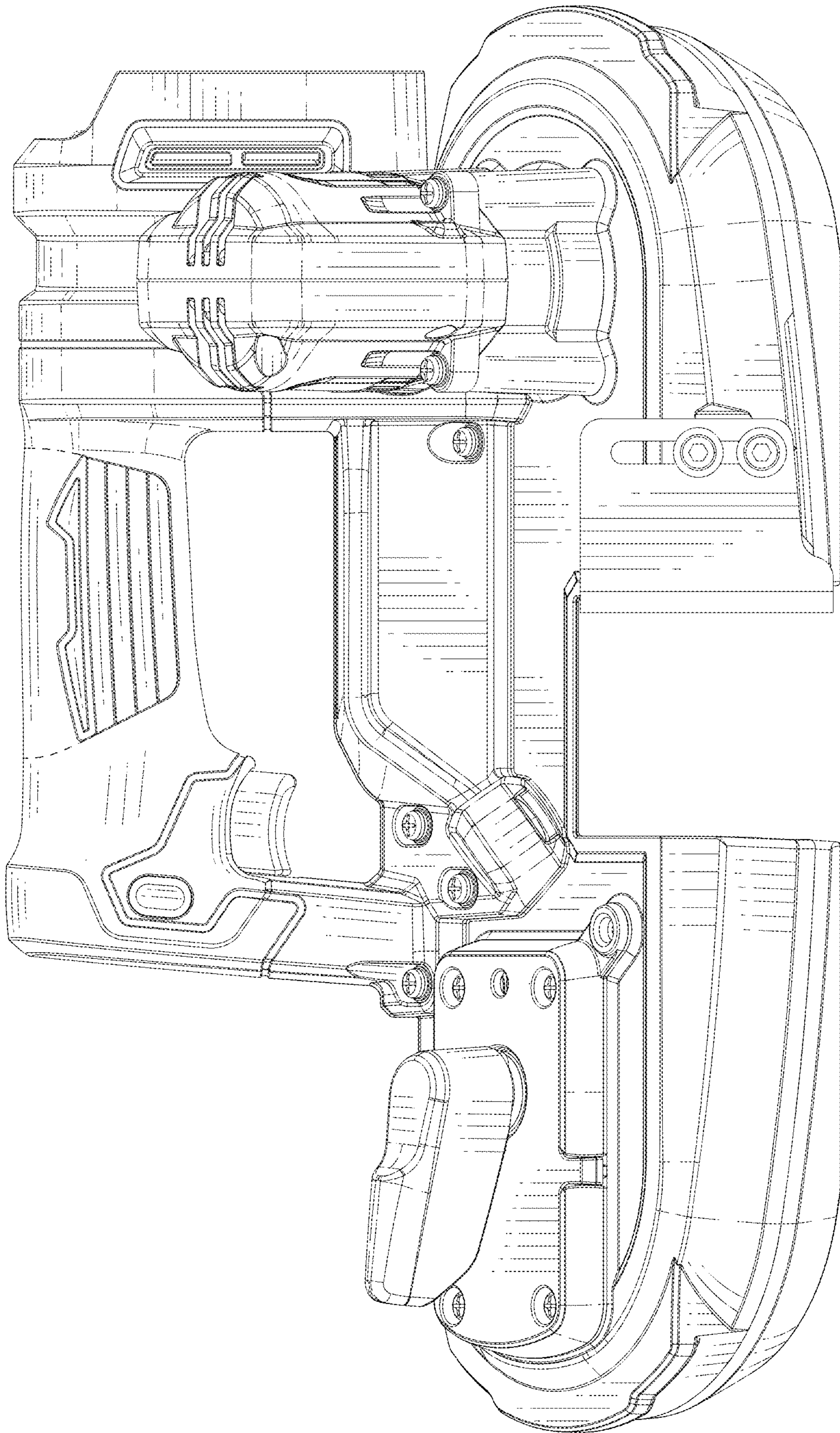


FIG. 3

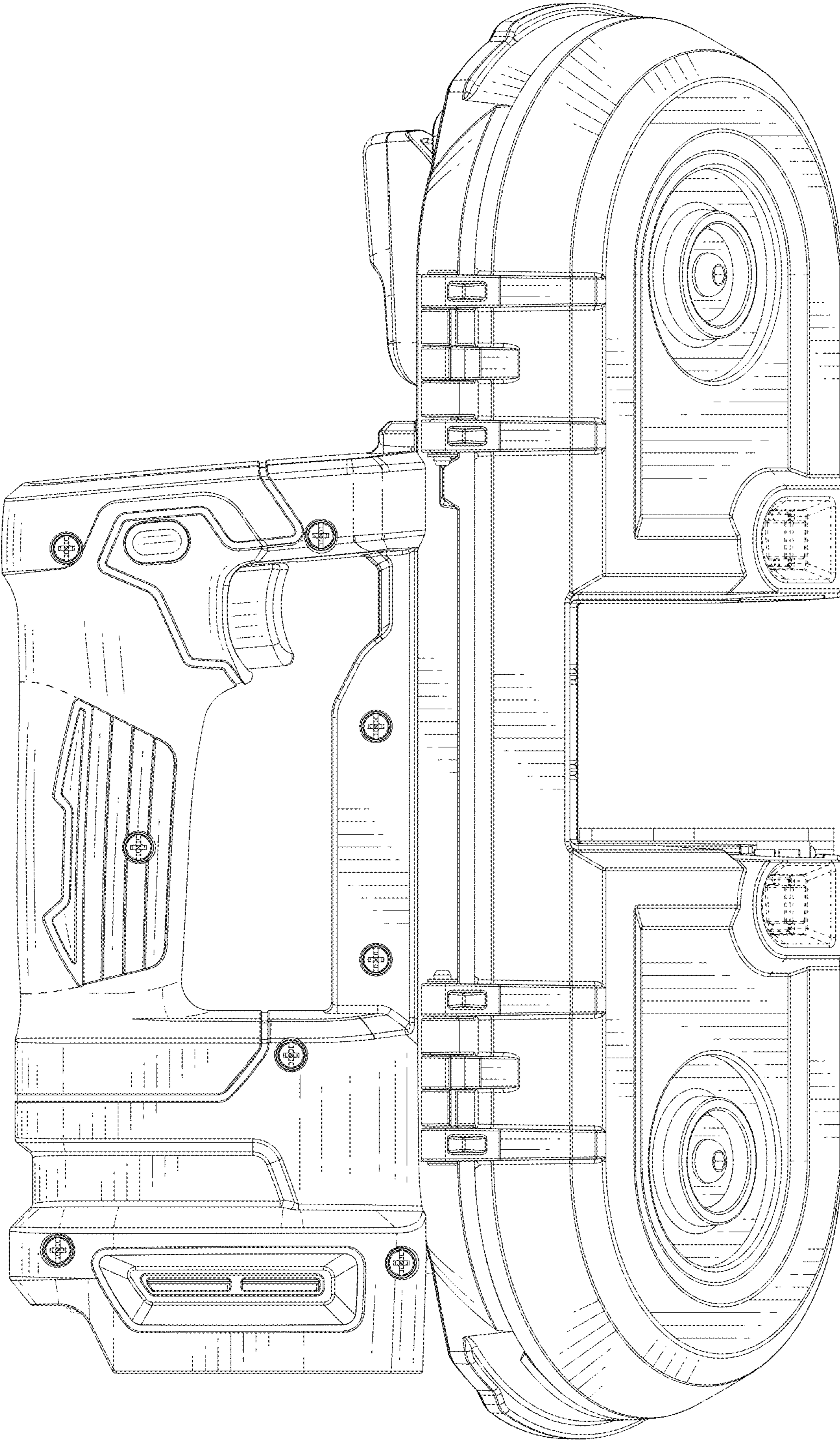


FIG. 4

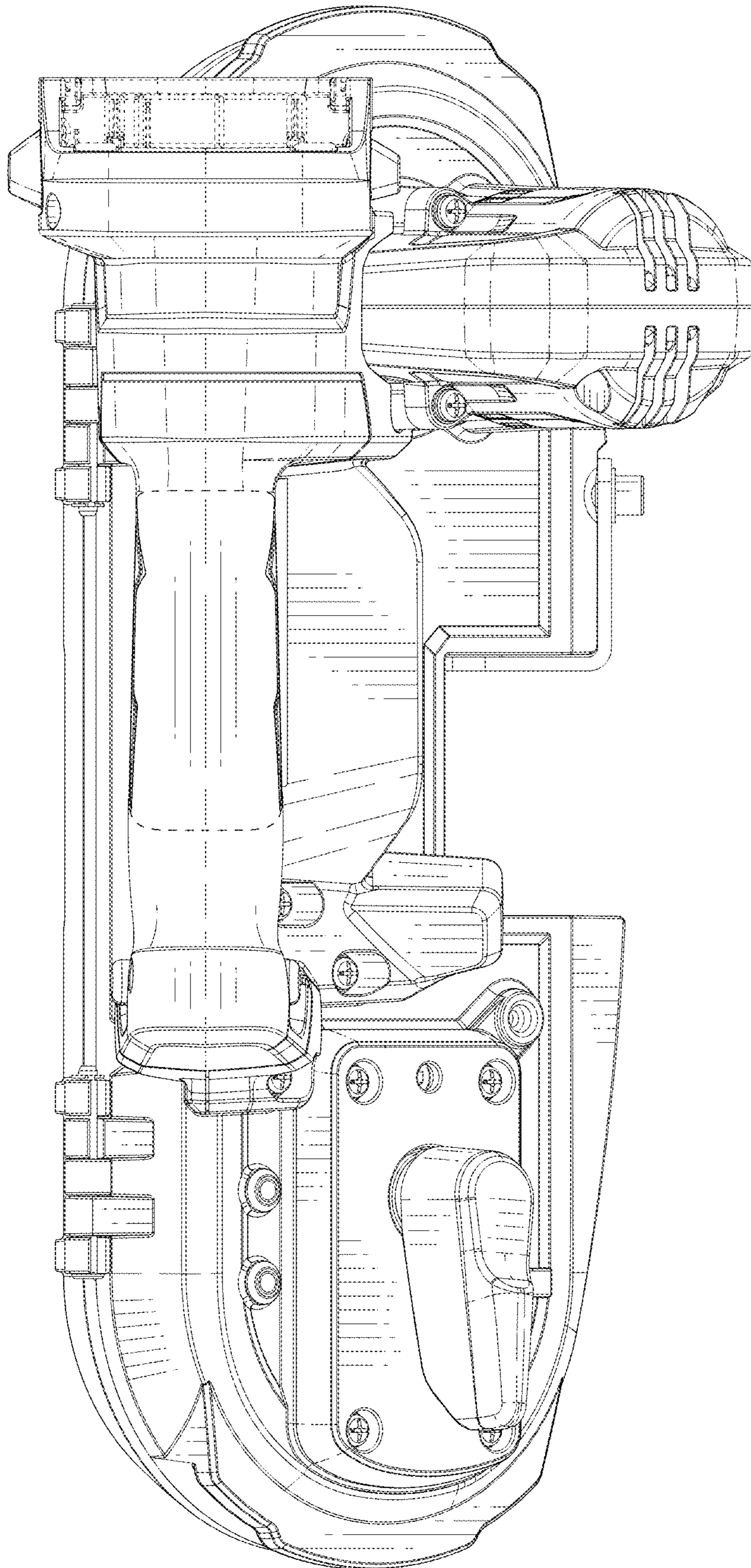


FIG. 5

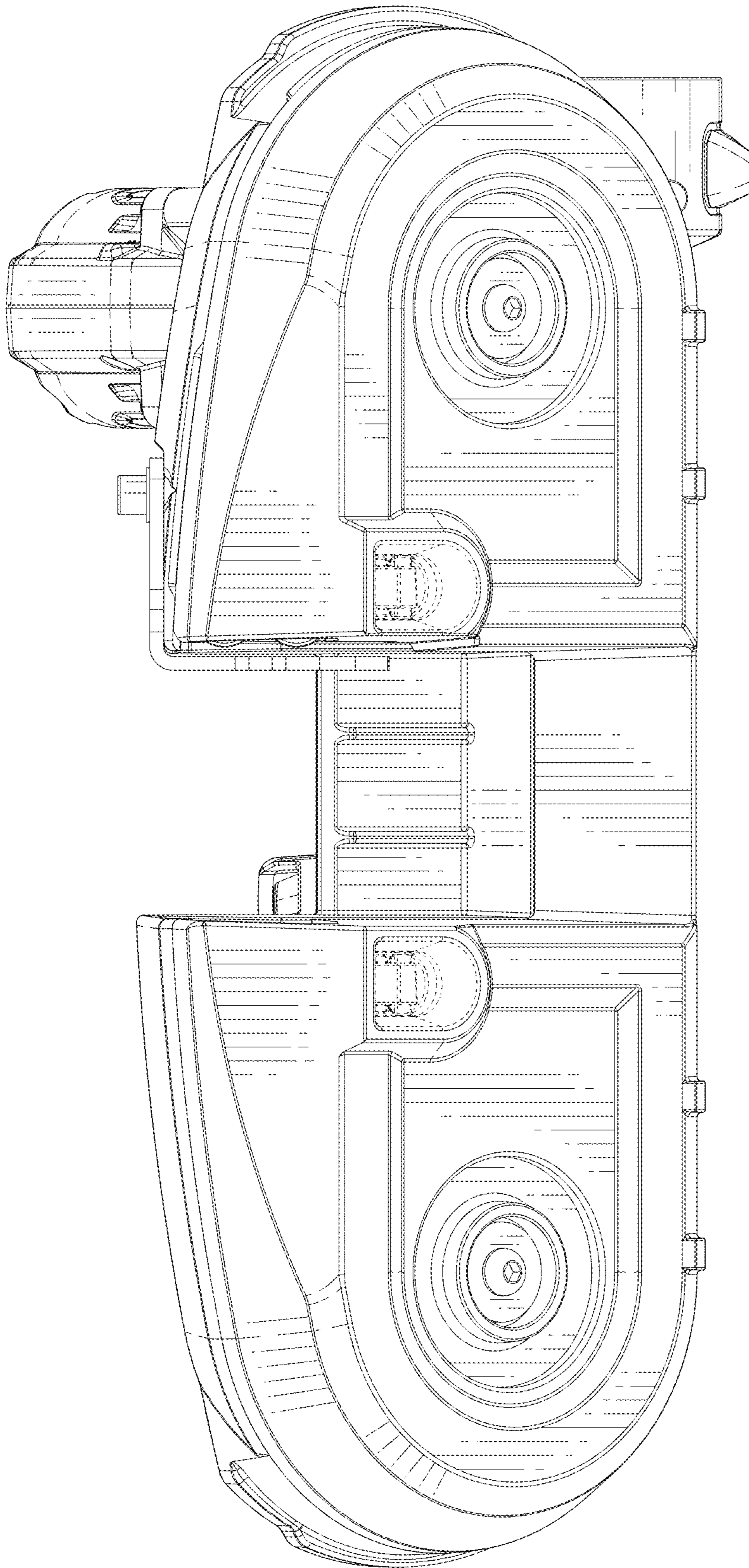


FIG. 6

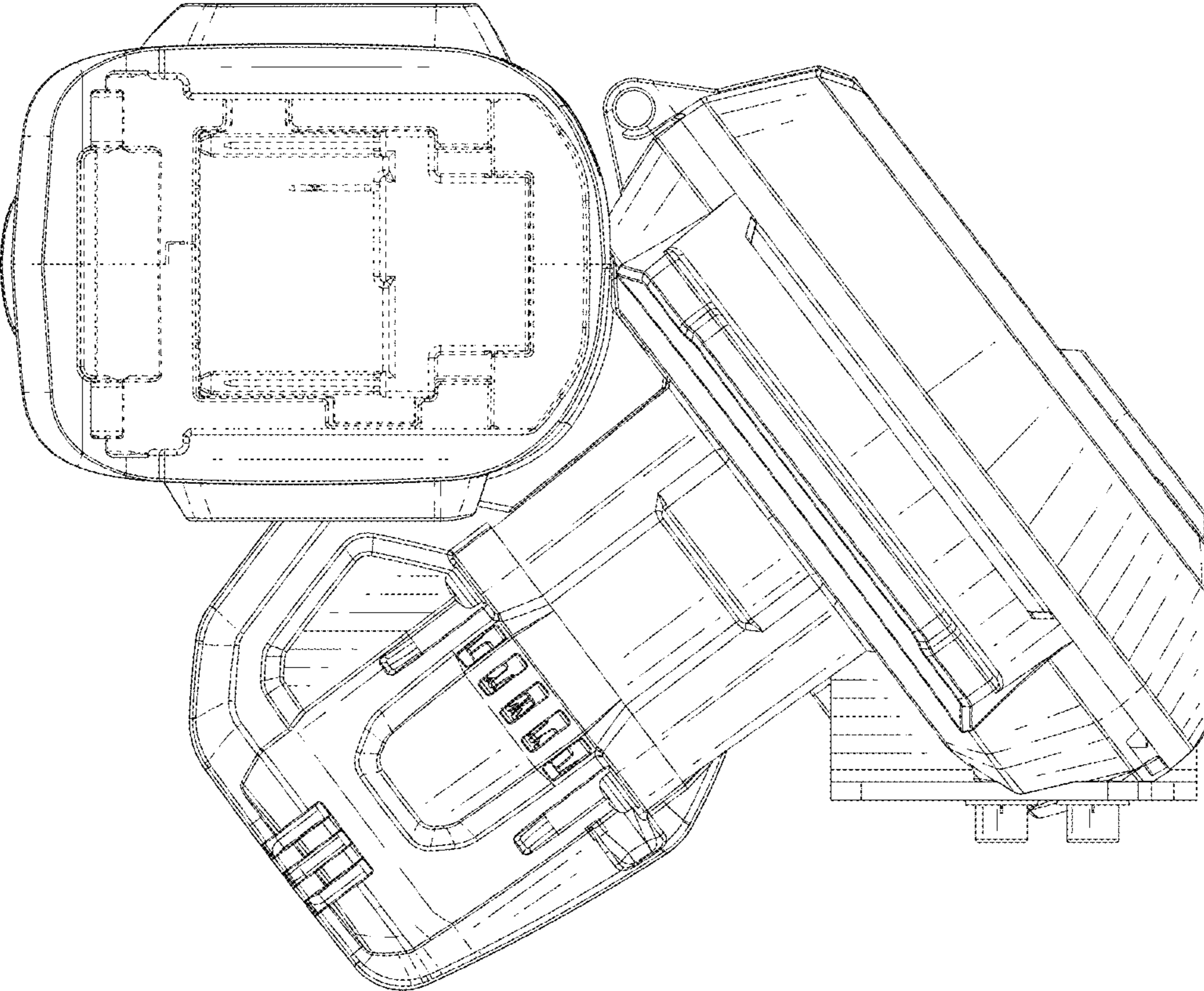


FIG. 7

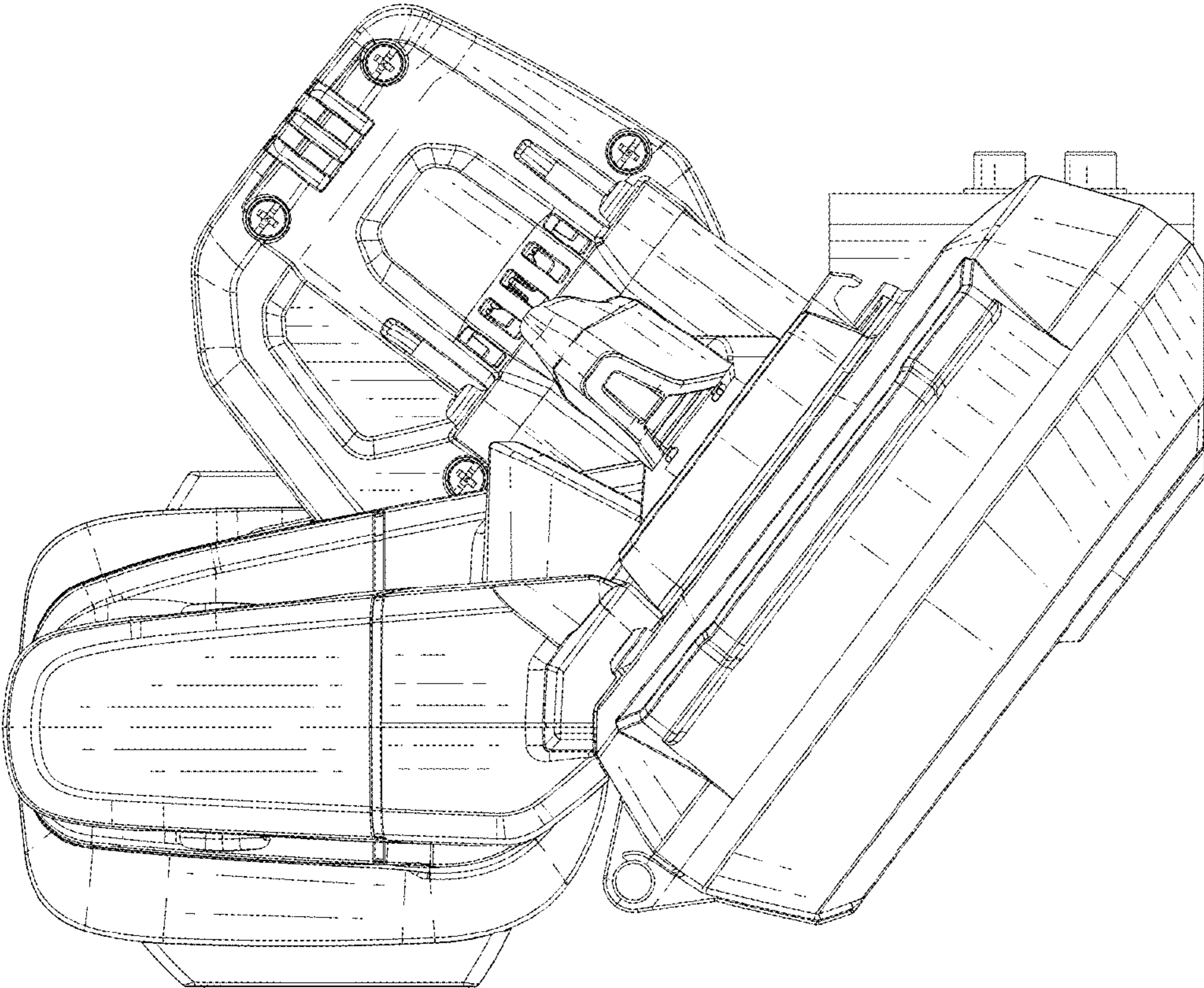


FIG. 8

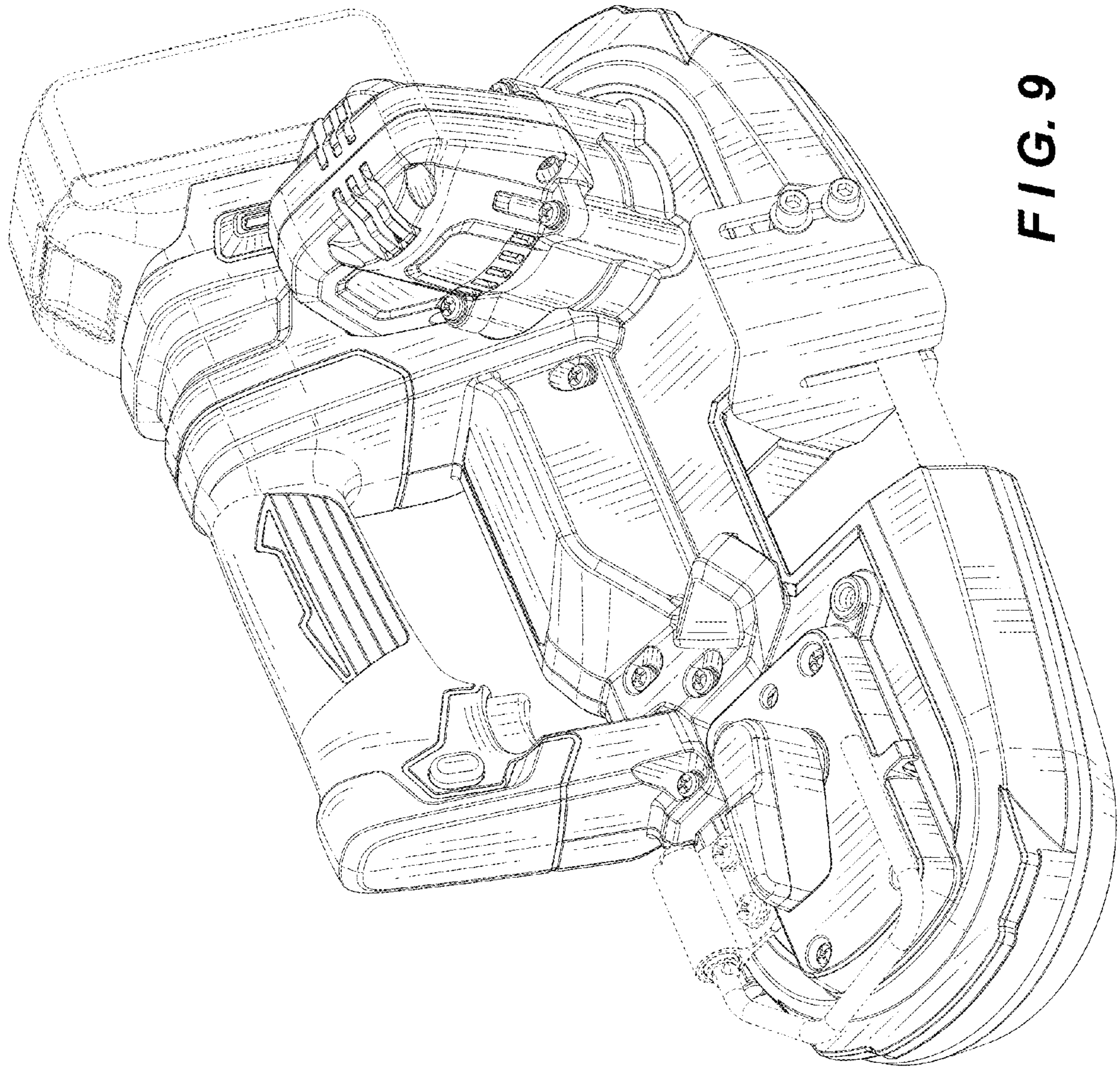


FIG. 9