

US00D938788S

(12) **United States Design Patent** (10) **Patent No.:** **US D938,788 S**  
**Zhong** (45) **Date of Patent:** **\*\* Dec. 21, 2021**

(54) **GRINDER**  
(71) Applicant: **JIANGMEN MOJIA TECHNOLOGY CO., LTD**, Jiangmen (CN)  
(72) Inventor: **Zhongyuan Zhong**, Jiangmen (CN)  
(73) Assignee: **JIANGMEN MOJIA TECHNOLOGY CO., LTD**, Jiangmen (CN)

2005/0077405 A1\* 4/2005 Cheng ..... A47J 42/38  
241/169.1  
2005/0274835 A1\* 12/2005 Huang ..... A47J 42/04  
241/169.1  
2006/0006262 A1\* 1/2006 Gilberts ..... A47J 42/50  
241/169.1  
2009/0095832 A1\* 4/2009 Wu ..... A47J 42/40  
241/169.1  
2010/0276527 A1\* 11/2010 Park ..... A47J 42/08  
241/169.1

(\*\*) Term: **15 Years**

**OTHER PUBLICATIONS**

(21) Appl. No.: **29/748,936**

Amazon.com, Electric Pepper Grinder or Salt Grinder, pp. 1-13, ASIN: B07DL2VKND, date first available Jul. 6, 2018. (Year: 2018).\*

(22) Filed: **Sep. 2, 2020**

(51) **LOC (13) Cl.** ..... **07-04**

(52) **U.S. Cl.**  
USPC ..... **D7/679**

\* cited by examiner

(58) **Field of Classification Search**  
USPC ..... D7/679, 590-597, 372, 373; D9/500, D9/503, 504

*Primary Examiner* — Terry A Wallace  
(74) *Attorney, Agent, or Firm* — Zhihua Han; Wen IP LLC

CPC ..... B02C 18/24; B02C 18/08; B02C 18/16; B02C 18/00; B02C 7/00; B02C 7/02; B02C 7/04; A47J 42/00; A47J 42/04; A47J 42/14; A47J 42/24; A47J 42/34; A47J 42/36; A47J 43/25; A47J 43/255; A47J 43/04; A47J 43/06; B26B 27/00; A24B 7/00; A24F 23/04

(57) **CLAIM**

The ornamental design for a grinder, as shown and described.

See application file for complete search history.

**DESCRIPTION**

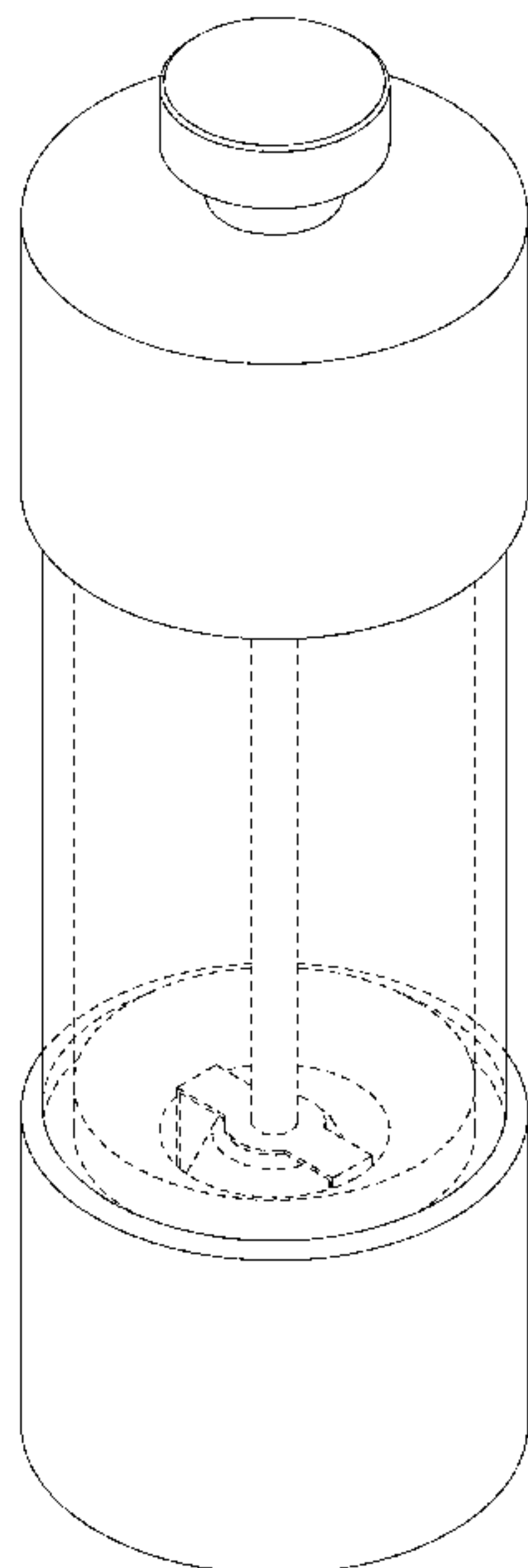
(56) **References Cited**

**U.S. PATENT DOCUMENTS**

D361,478 S \* 8/1995 Kinsman ..... D7/679  
D364,078 S \* 11/1995 Weterrings ..... D7/679  
5,465,871 A \* 11/1995 Robbins, III ..... B65D 47/0814  
222/142.5  
D570,651 S \* 6/2008 Lin ..... D7/679  
2002/0130208 A1\* 9/2002 Pedersen ..... A47J 42/46  
241/169.1

FIG. 1 is a perspective view of a grinder, showing my new design;  
FIG. 2 is a front elevational view thereof;  
FIG. 3 is a rear elevational view thereof;  
FIG. 4 is right side elevational view thereof;  
FIG. 5 is left side elevational view thereof;  
FIG. 6 is a top plan view thereof;  
FIG. 7 is a bottom plan view thereof; and,  
FIG. 8 is another perspective view thereof, viewed from bottom, for clarity of illustration.

**1 Claim, 8 Drawing Sheets**



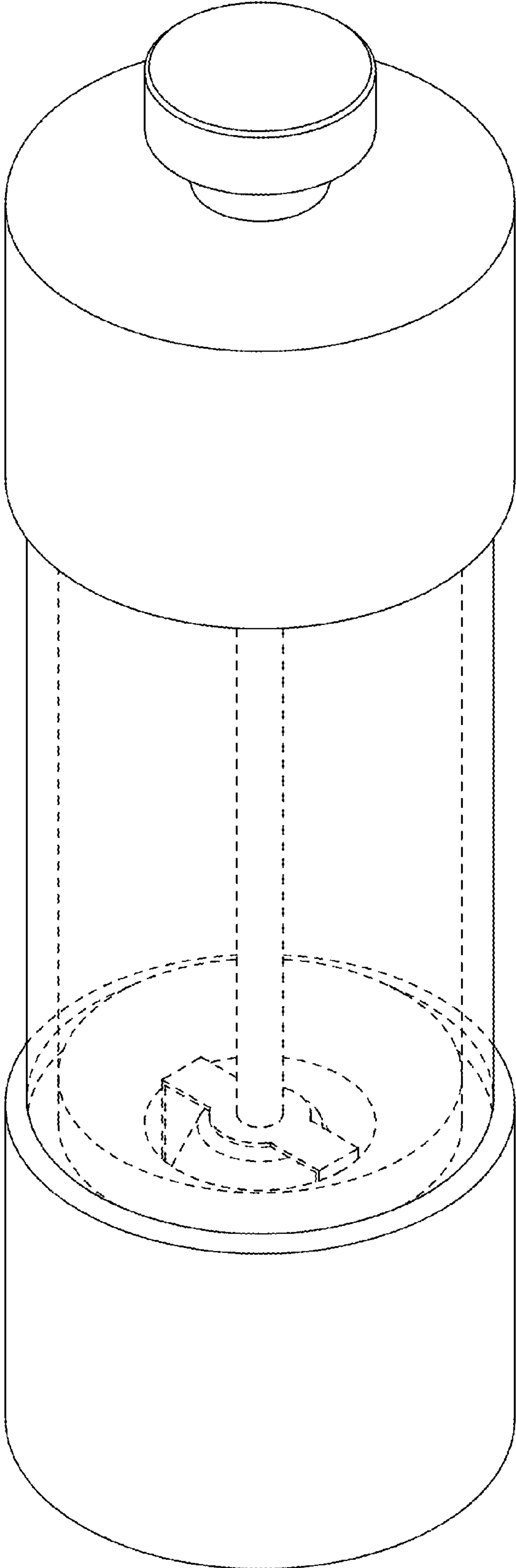


FIG. 1

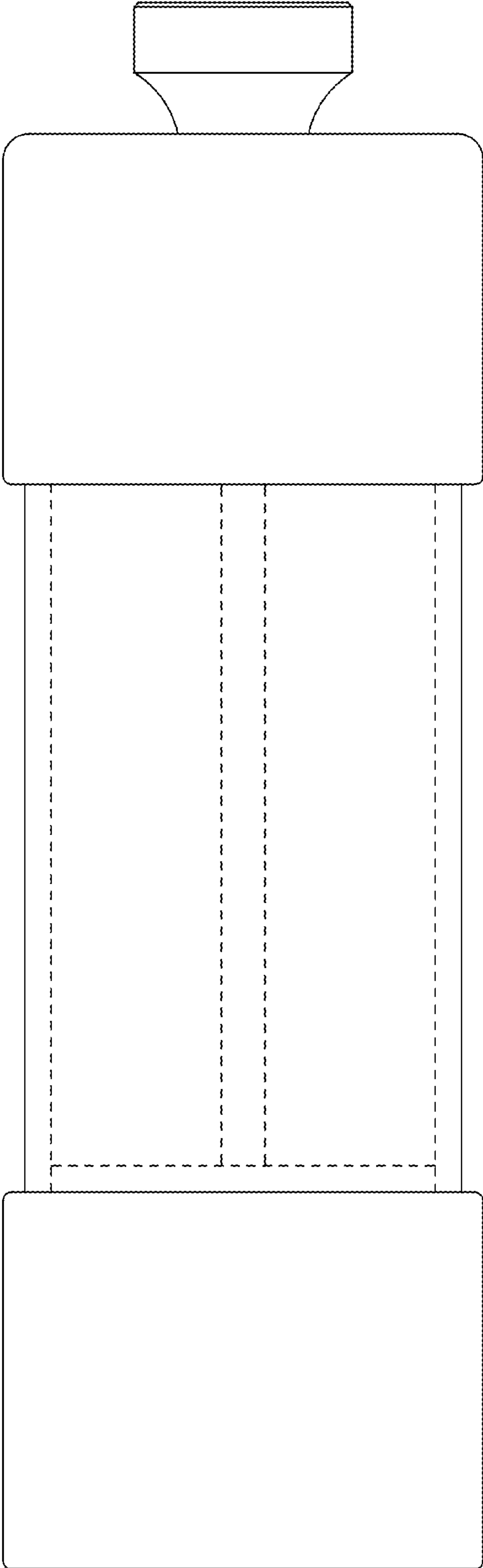


FIG. 2

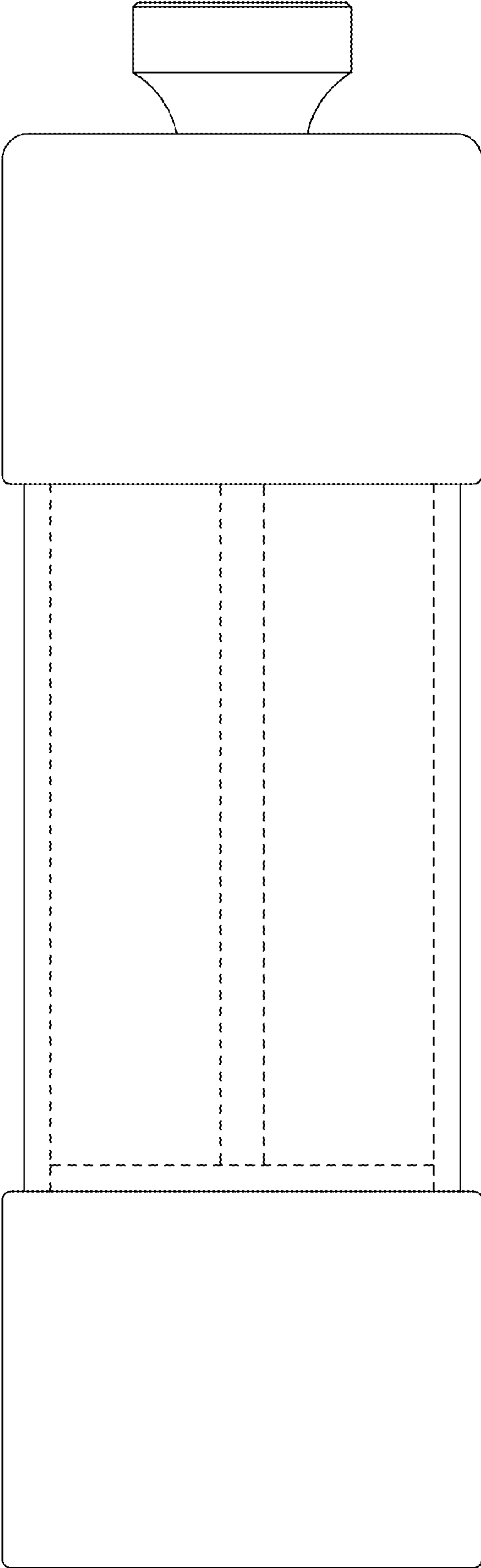


FIG. 3

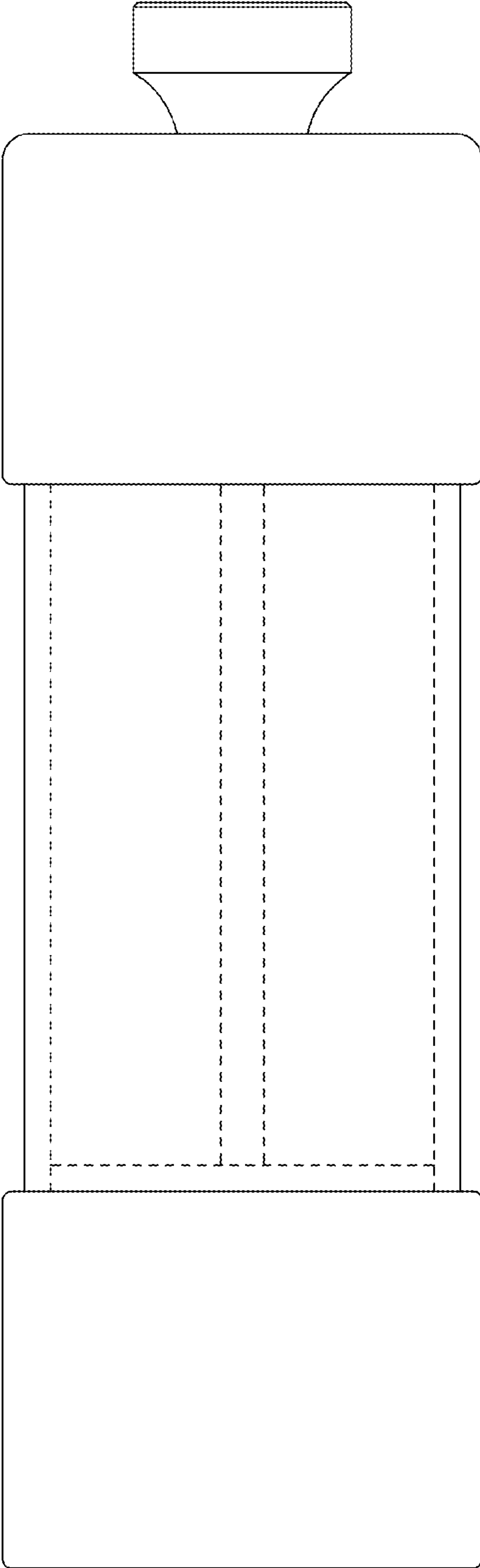


FIG. 4

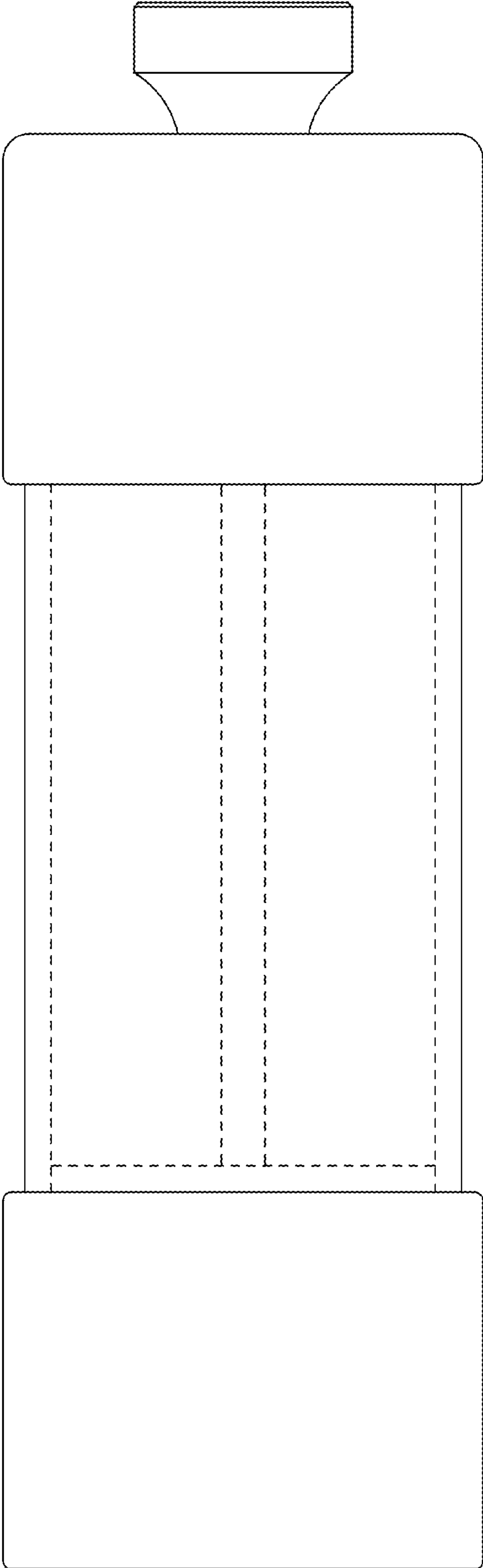


FIG. 5

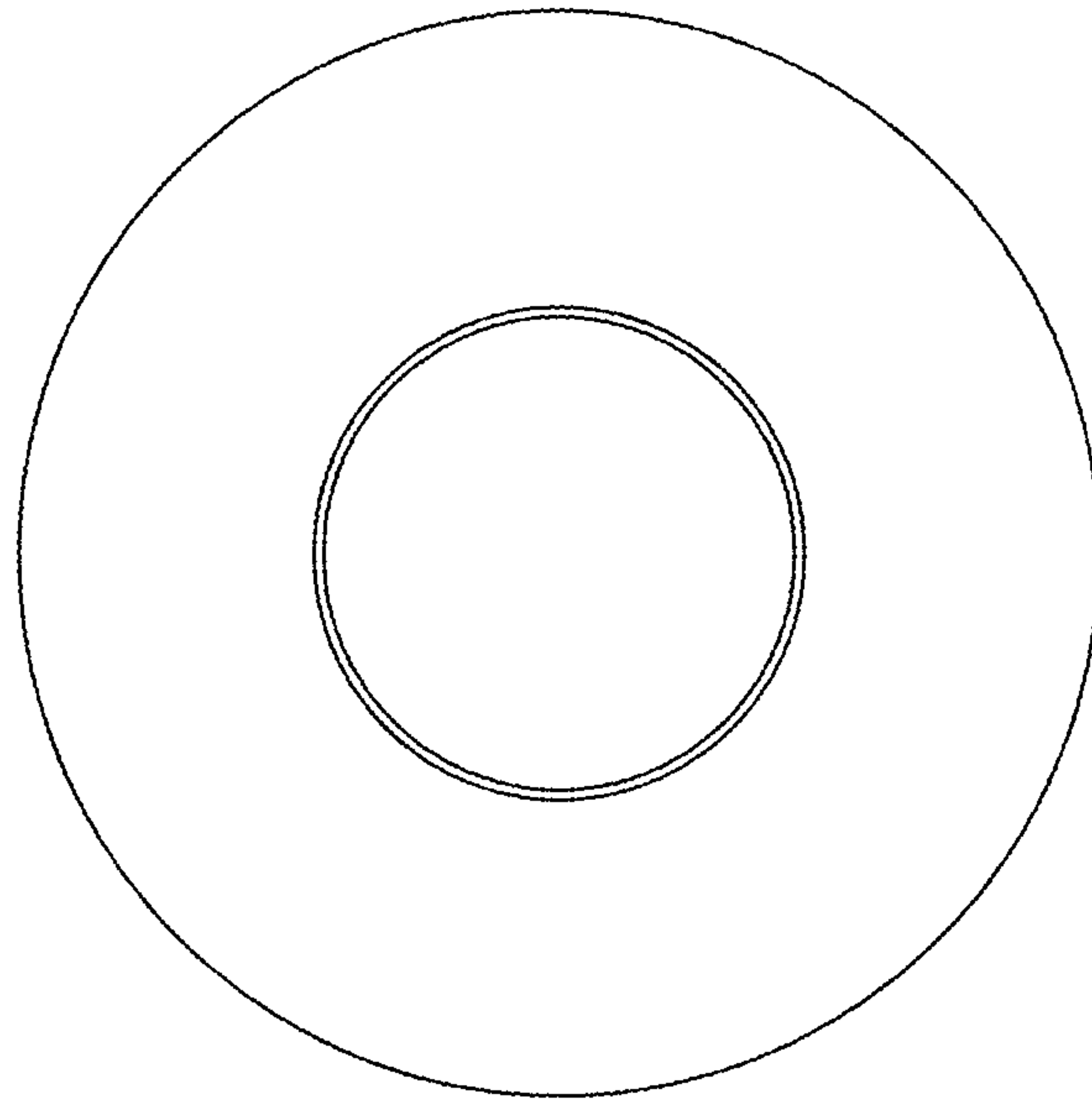


FIG. 6

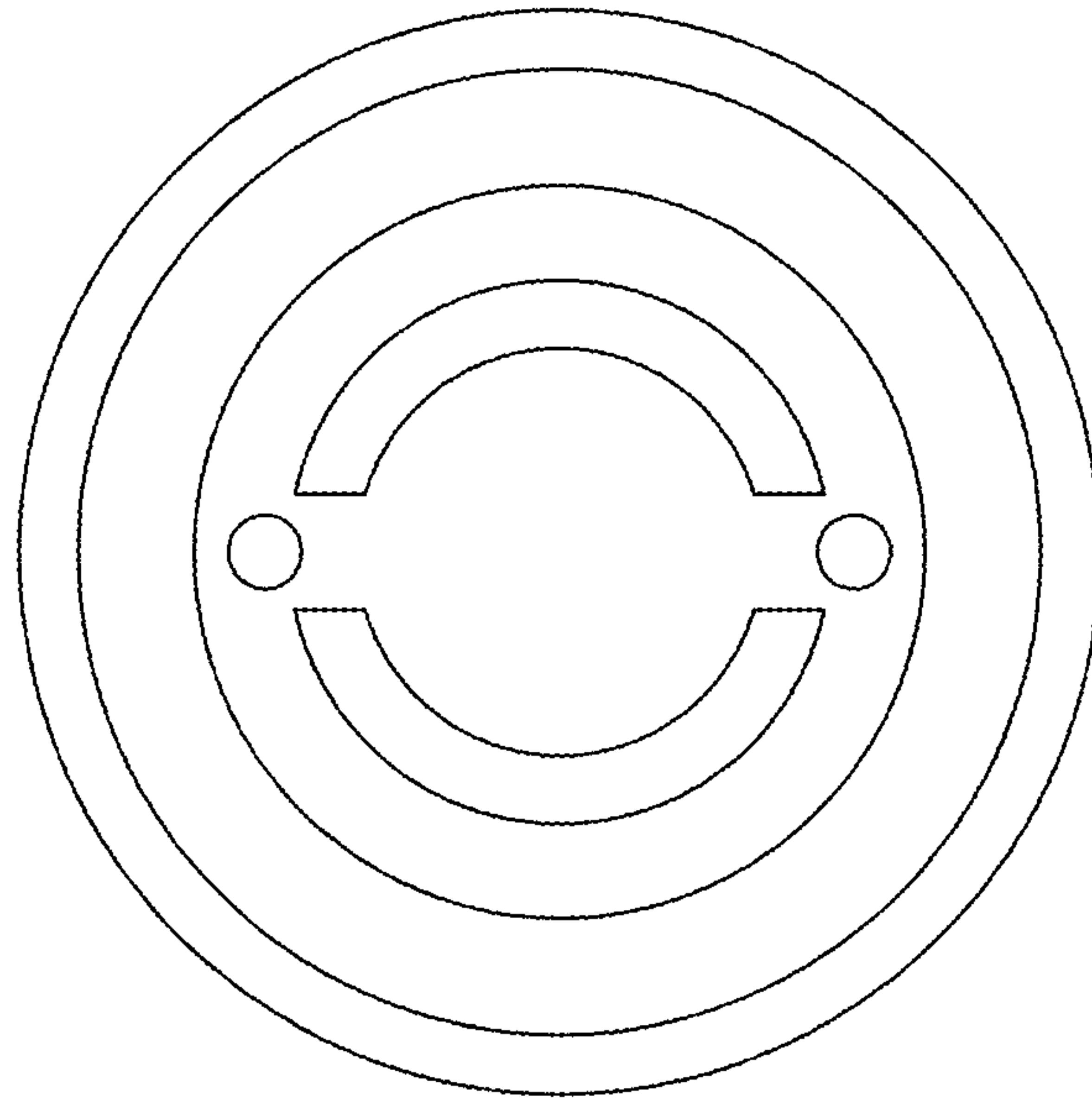


FIG. 7



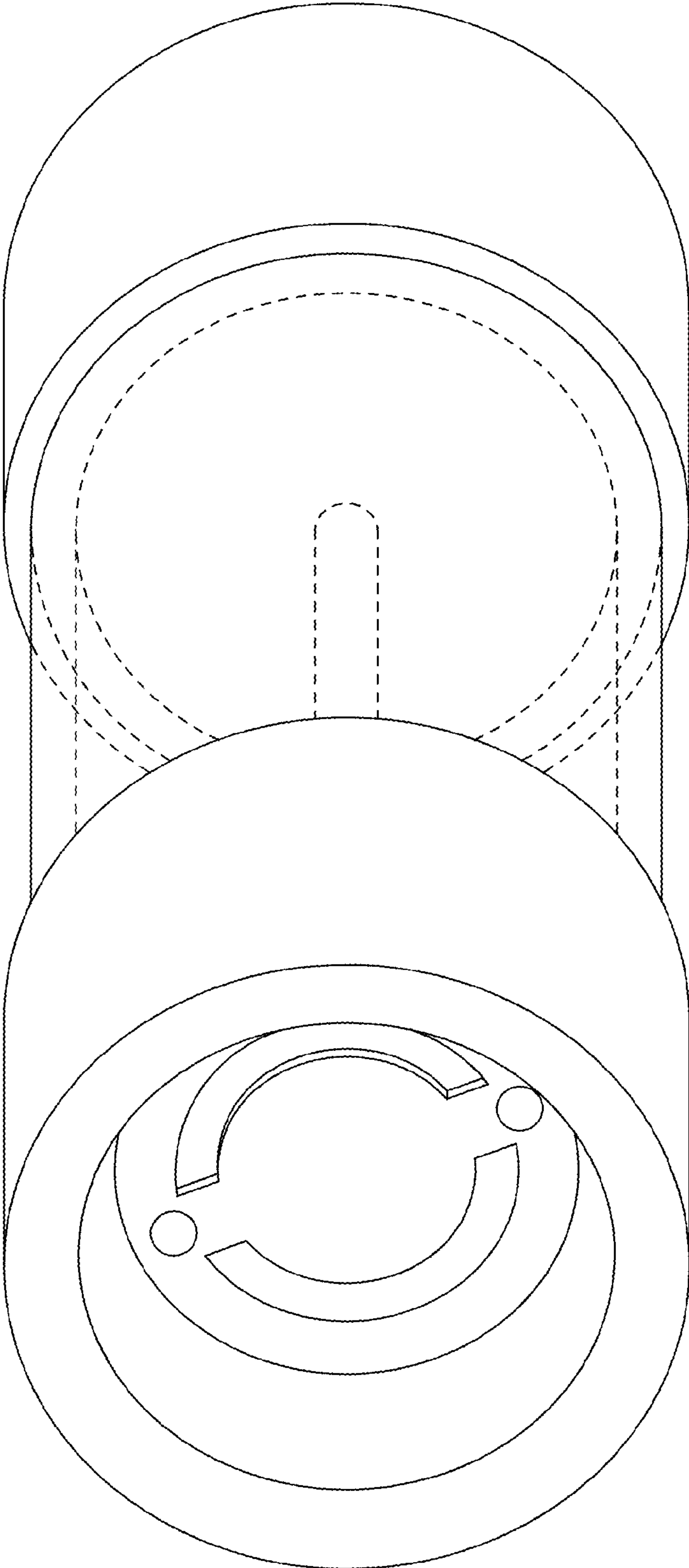


FIG. 8