



US00D938786S

(12) **United States Design Patent**  
**Tuan**

(10) **Patent No.:** **US D938,786 S**

(45) **Date of Patent:** **\*\* Dec. 21, 2021**

(54) **DOUBLE LAYER BOX**

D718,983 S \* 12/2014 Yessin ..... D7/629  
D795,654 S \* 8/2017 Kolano ..... D7/629

(71) Applicant: **Ronald Tuan**, Nantou County (TW)

\* cited by examiner

(72) Inventor: **Ronald Tuan**, Nantou County (TW)

*Primary Examiner* — Terry A Wallace

(\*\*) Term: **15 Years**

(74) *Attorney, Agent, or Firm* — Bruce Stone LLP;  
Joseph A. Bruce

(21) Appl. No.: **29/710,677**

(57) **CLAIM**

(22) Filed: **Oct. 25, 2019**

The ornamental design for a double layer box, as shown and described.

(30) **Foreign Application Priority Data**

**DESCRIPTION**

May 23, 2019 (TW) ..... 108302986

(51) **LOC (13) Cl.** ..... **07-07**

(52) **U.S. Cl.**  
USPC ..... **D7/629**

(58) **Field of Classification Search**  
USPC ..... D7/601, 602, 629, 630, 709, 538–542,  
D7/612–615; D9/424, 428–432, 414,  
D9/642, 721, 761

CPC . B65D 1/22; B65D 1/24; B65D 1/243; B65D  
1/246; B65D 1/40; B65D 2581/00; B65D  
81/3453; B65D 25/00; B65D 25/04;  
B65D 45/22; A45C 11/20; A45C 13/02;  
A45F 3/46

See application file for complete search history.

FIG. 1 is a perspective view of a double layer box showing my new design;

FIG. 2 is a front view thereof; a rear view is omitted because it is identical as the front view;

FIG. 3 is a left side view thereof; a right side view is omitted because it is identical as the left side view;

FIG. 4 is a top plan view thereof;

FIG. 5 is a bottom plan view thereof;

FIG. 6 is a cross-sectional view taken along section line 6-6 of FIG. 4;

FIG. 7 is a perspective view thereof shown in use;

FIG. 8 is a perspective view of second embodiment of FIG. 1, the only difference being in body length of the double layer box; and,

FIG. 9 is a perspective view of third embodiment of FIG. 1, the only difference being in body without broken lines indicating indeterminate length portion.

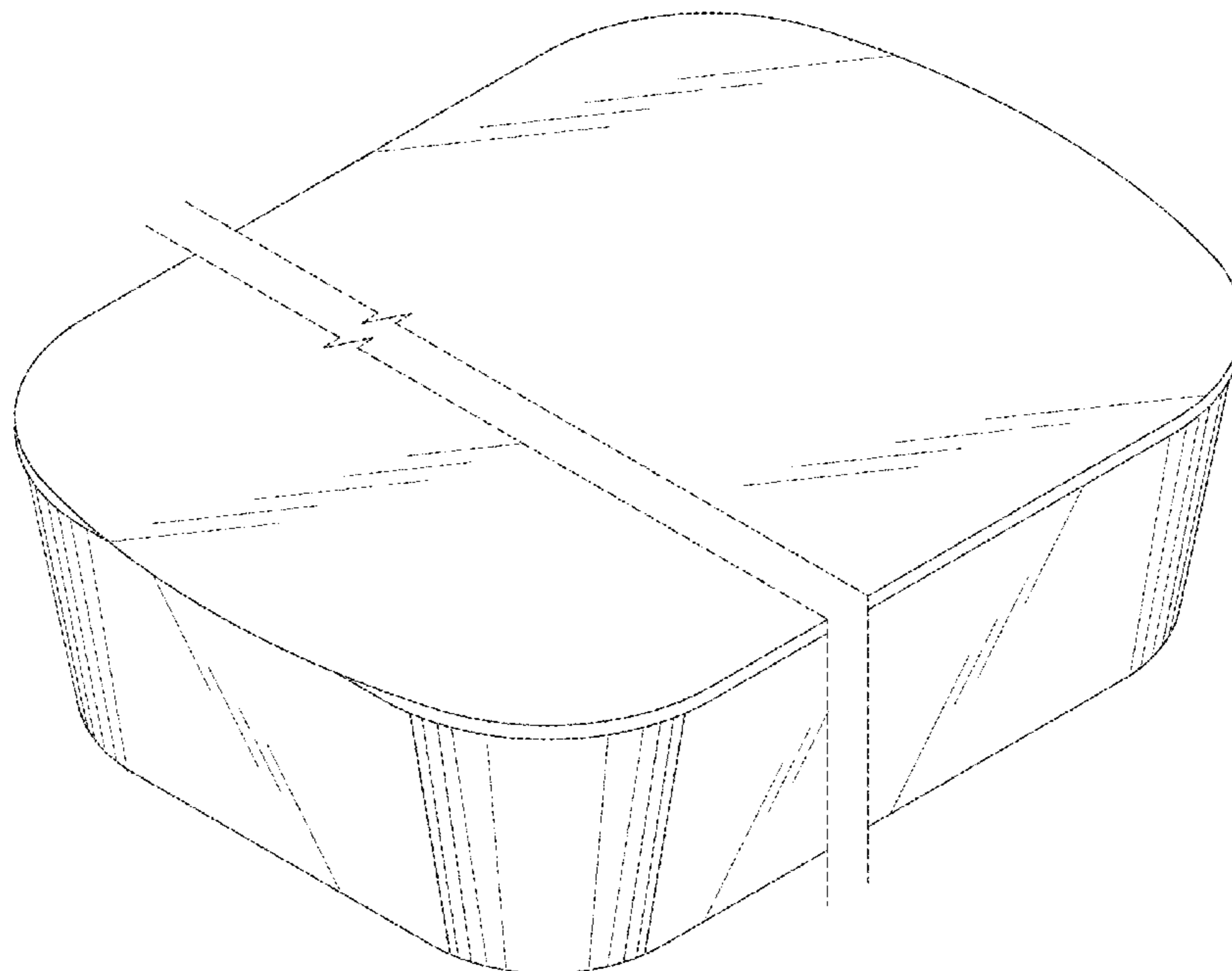
The double layer box is shown broken line in the middle along the length to indicate indeterminate length, with the understanding that the “indeterminate” length portion of the double layer box not shown forms no part of the claimed design, patentability is based only on those portions of the article that are shown in solid lines.

(56) **References Cited**

**U.S. PATENT DOCUMENTS**

4,412,630 A \* 11/1983 Daenen ..... B65D 43/0218  
220/792  
D551,515 S \* 9/2007 Ablo ..... D7/629  
D618,516 S \* 6/2010 DiPietro ..... D7/629  
D696,075 S \* 12/2013 Mashike ..... D7/605  
D700,840 S \* 3/2014 Vernon ..... D9/431

**1 Claim, 8 Drawing Sheets**



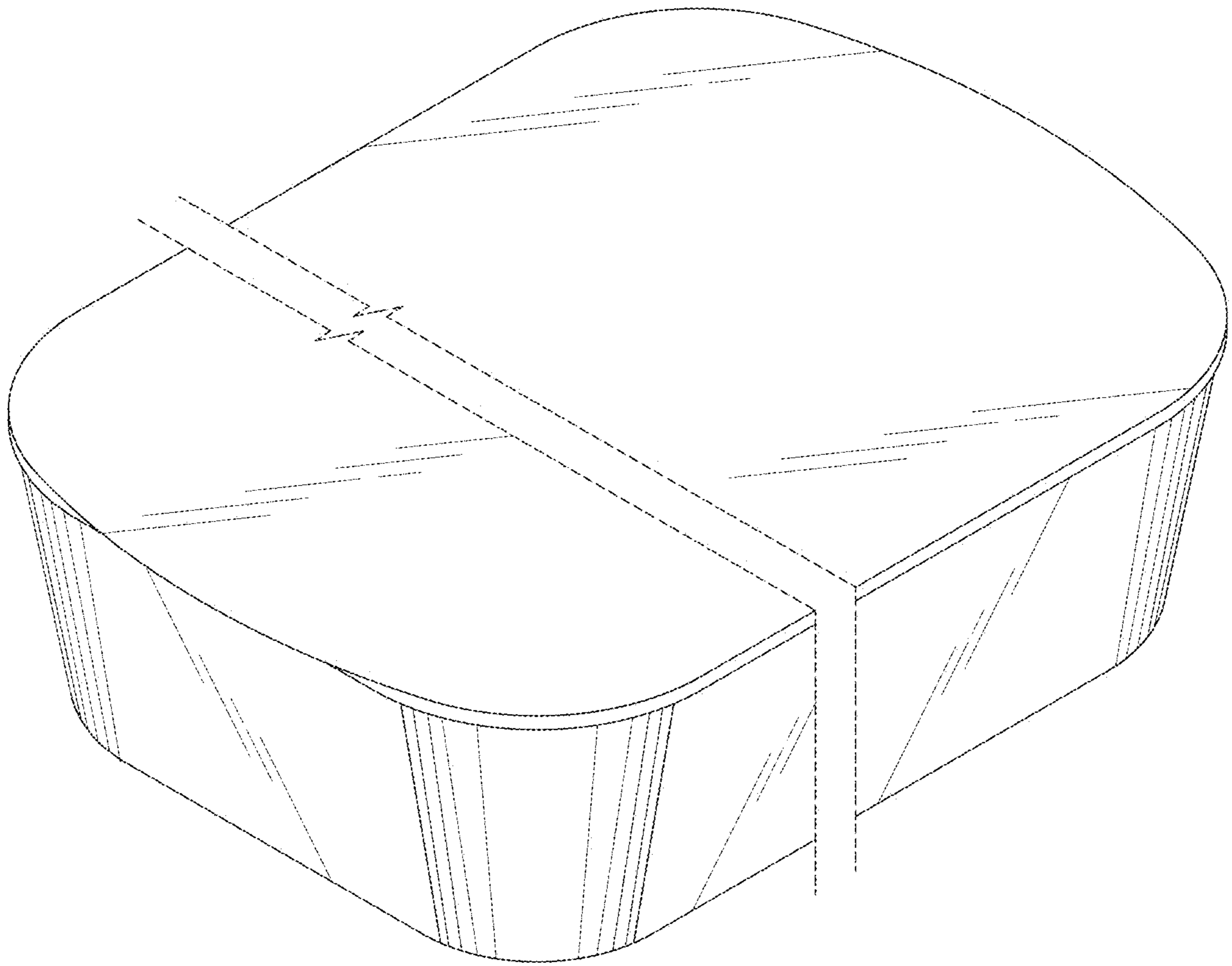


FIG.1

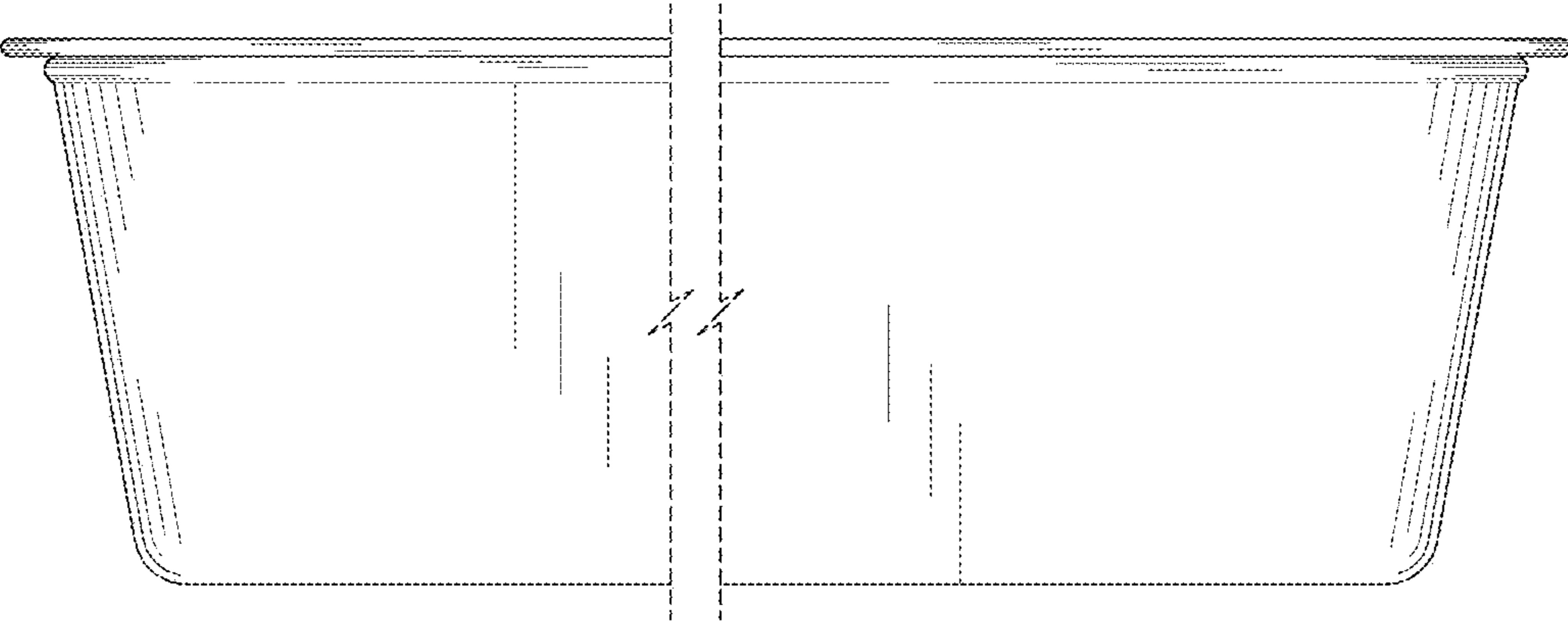


FIG.2

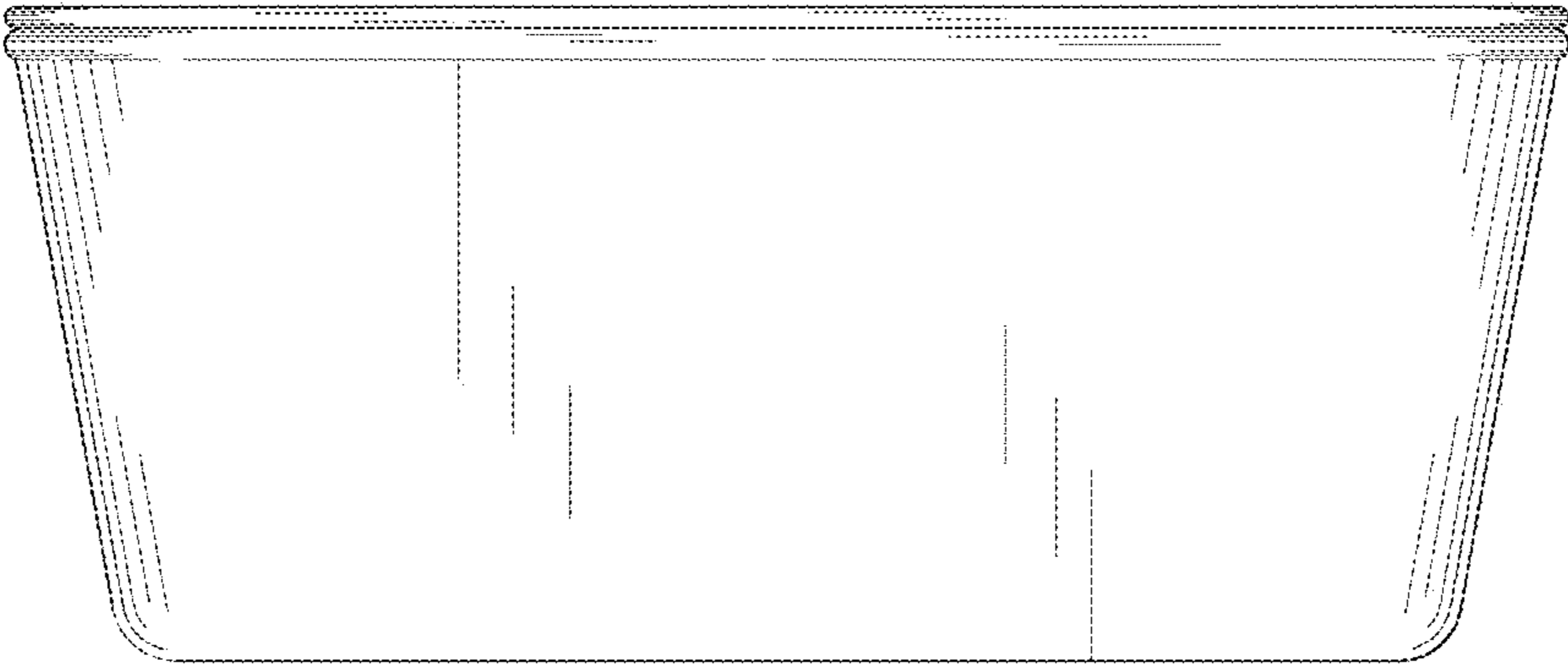


FIG.3

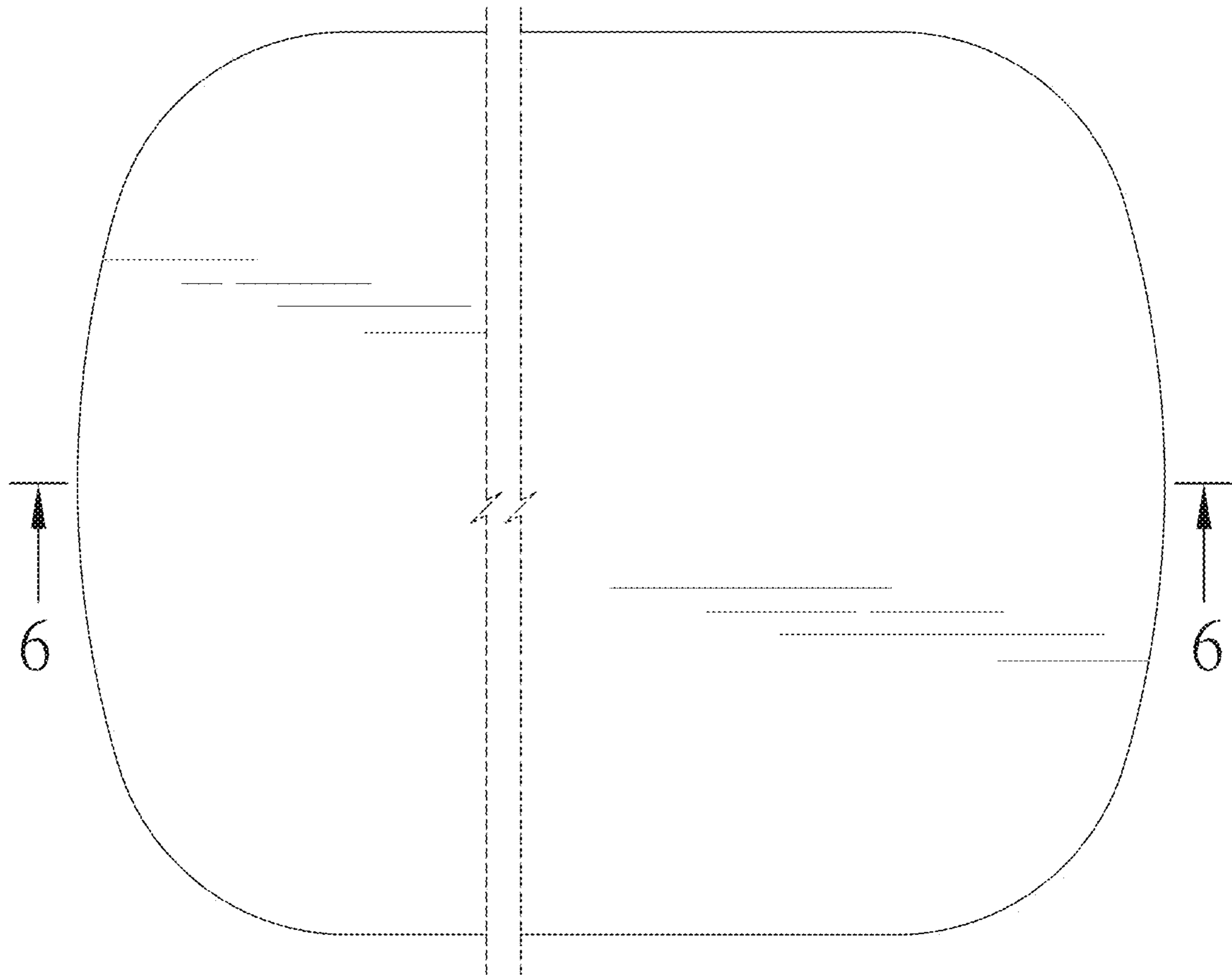


FIG.4

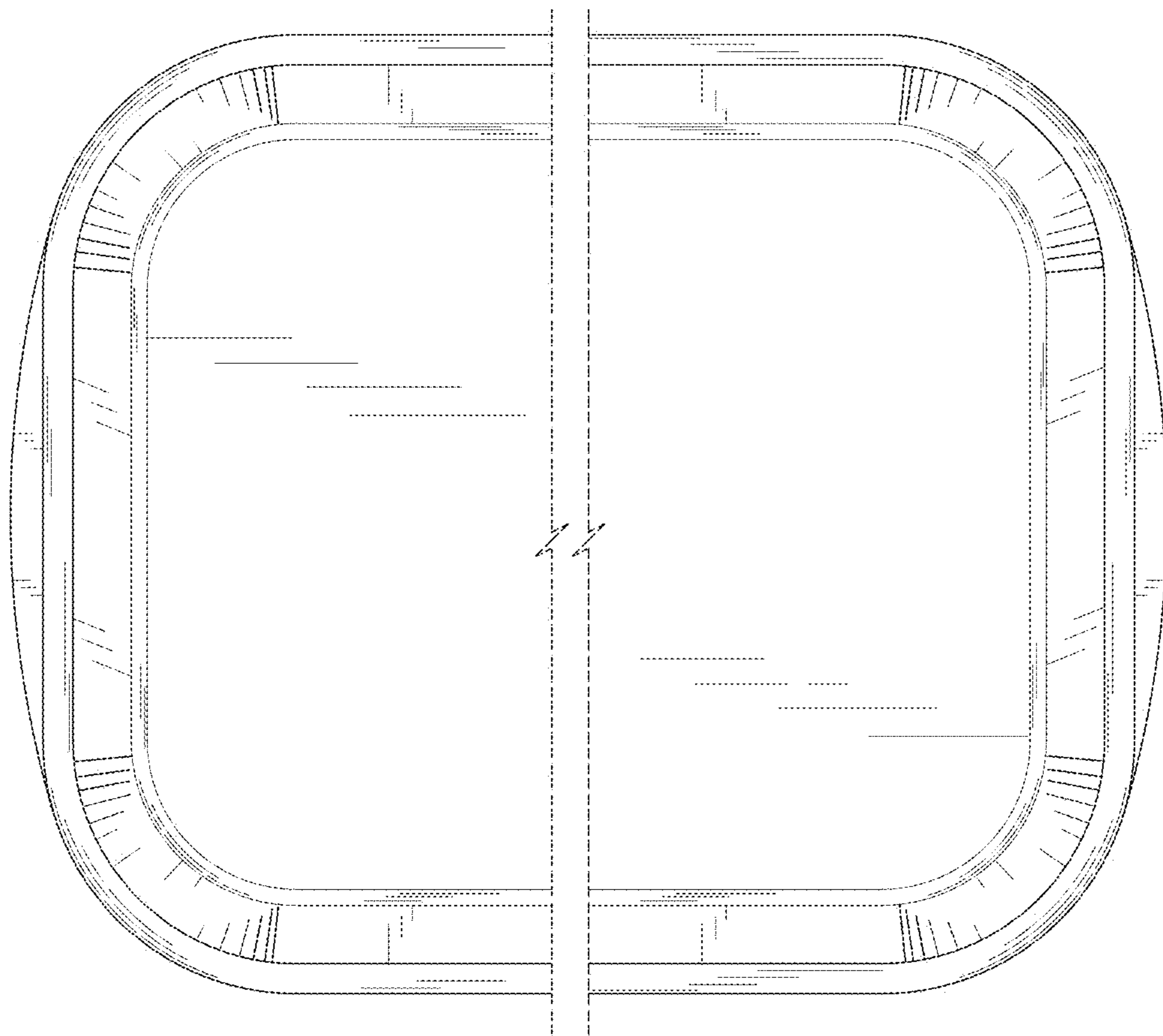


FIG.5

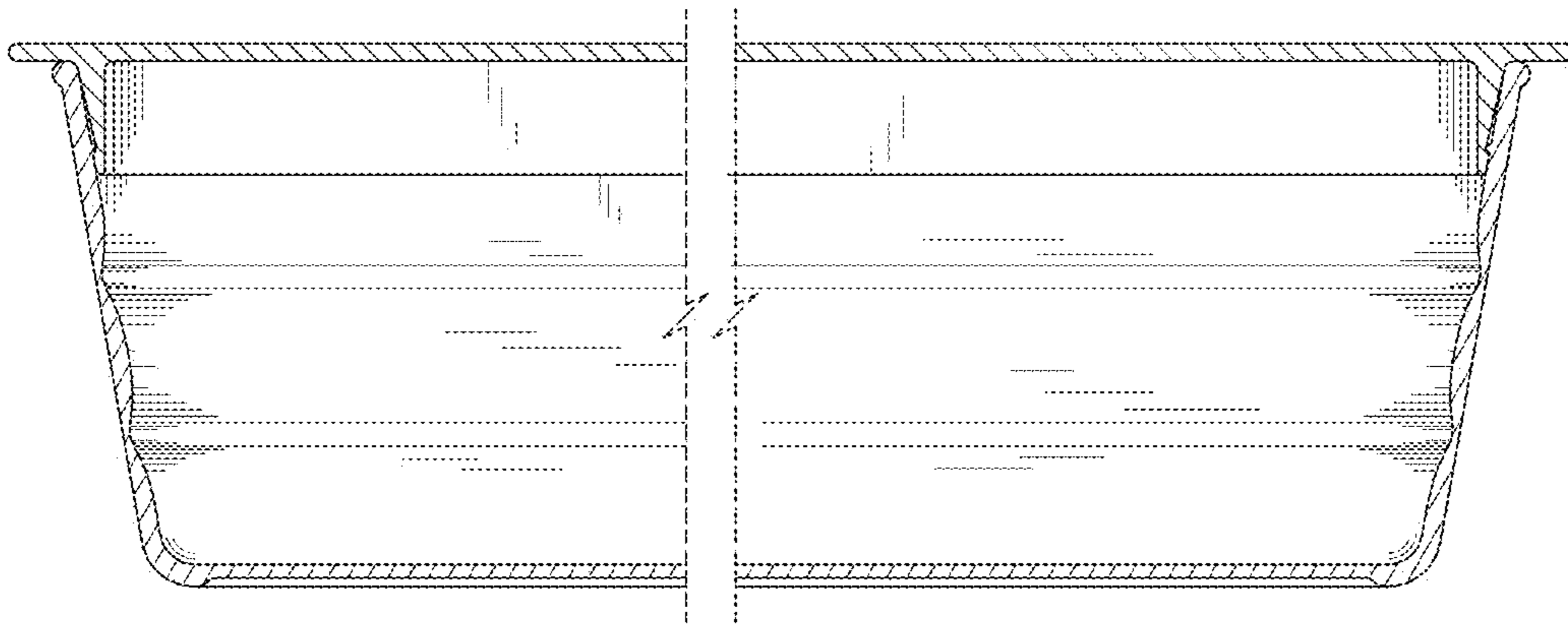


FIG. 6

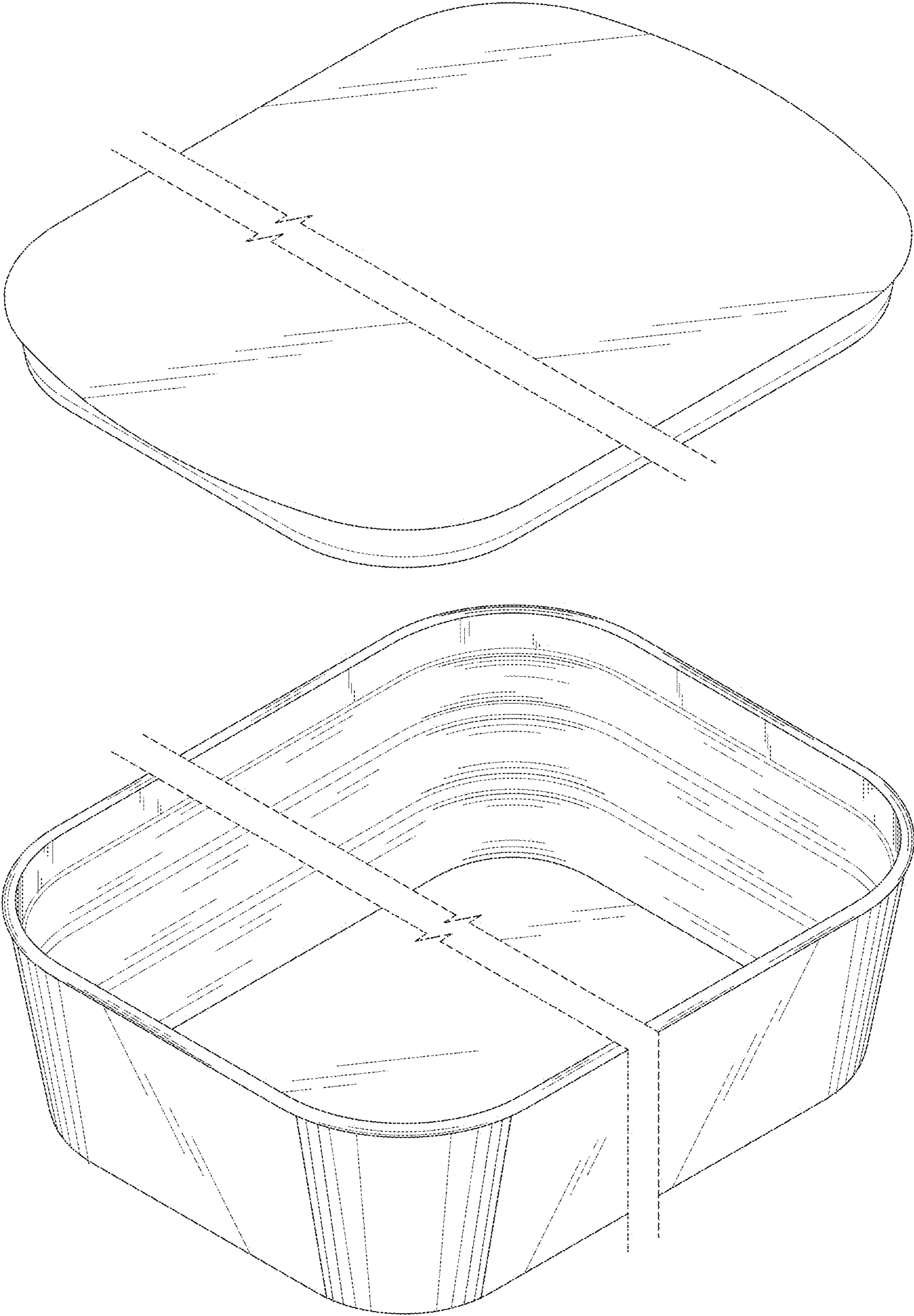


FIG. 7

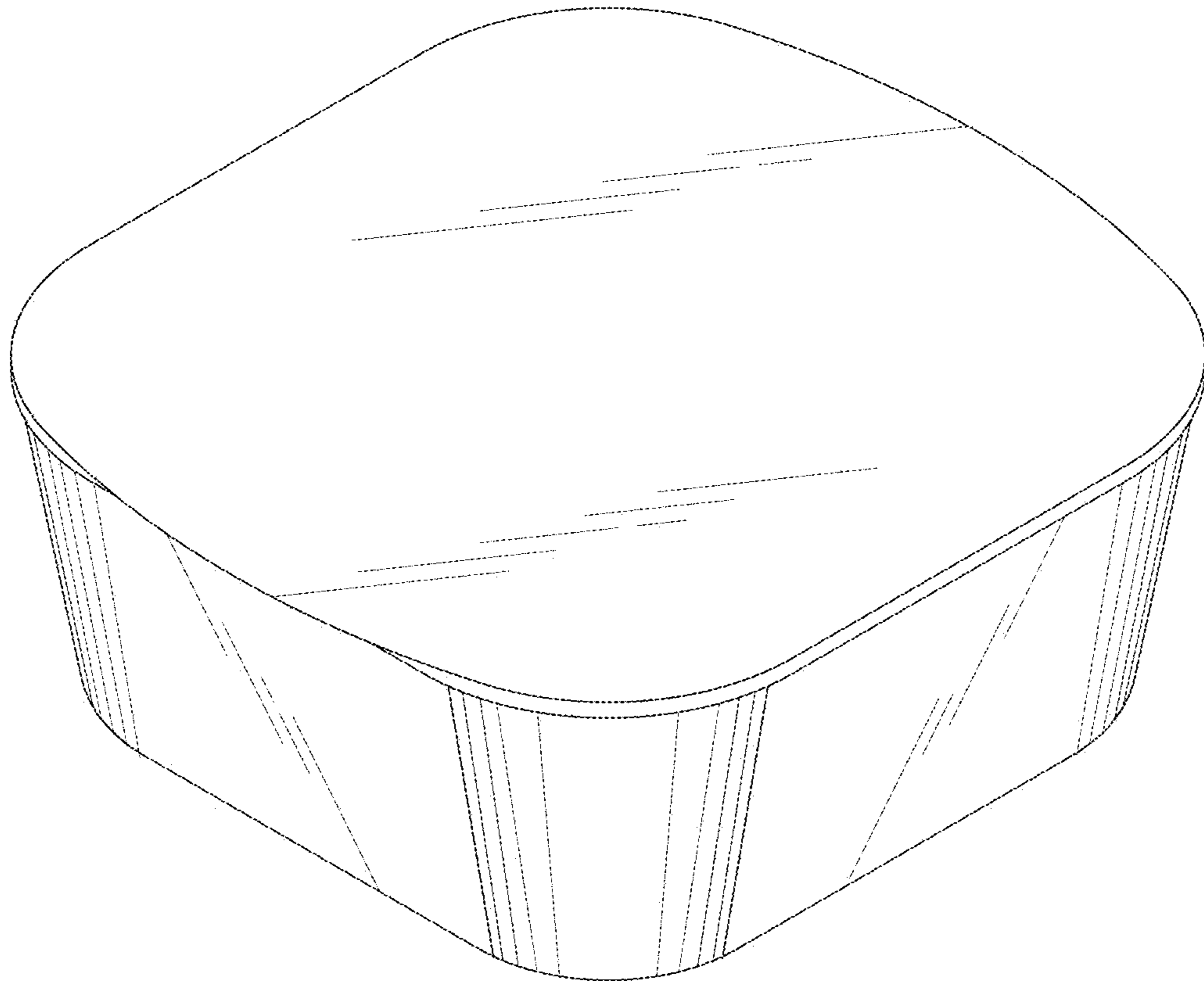


FIG.8



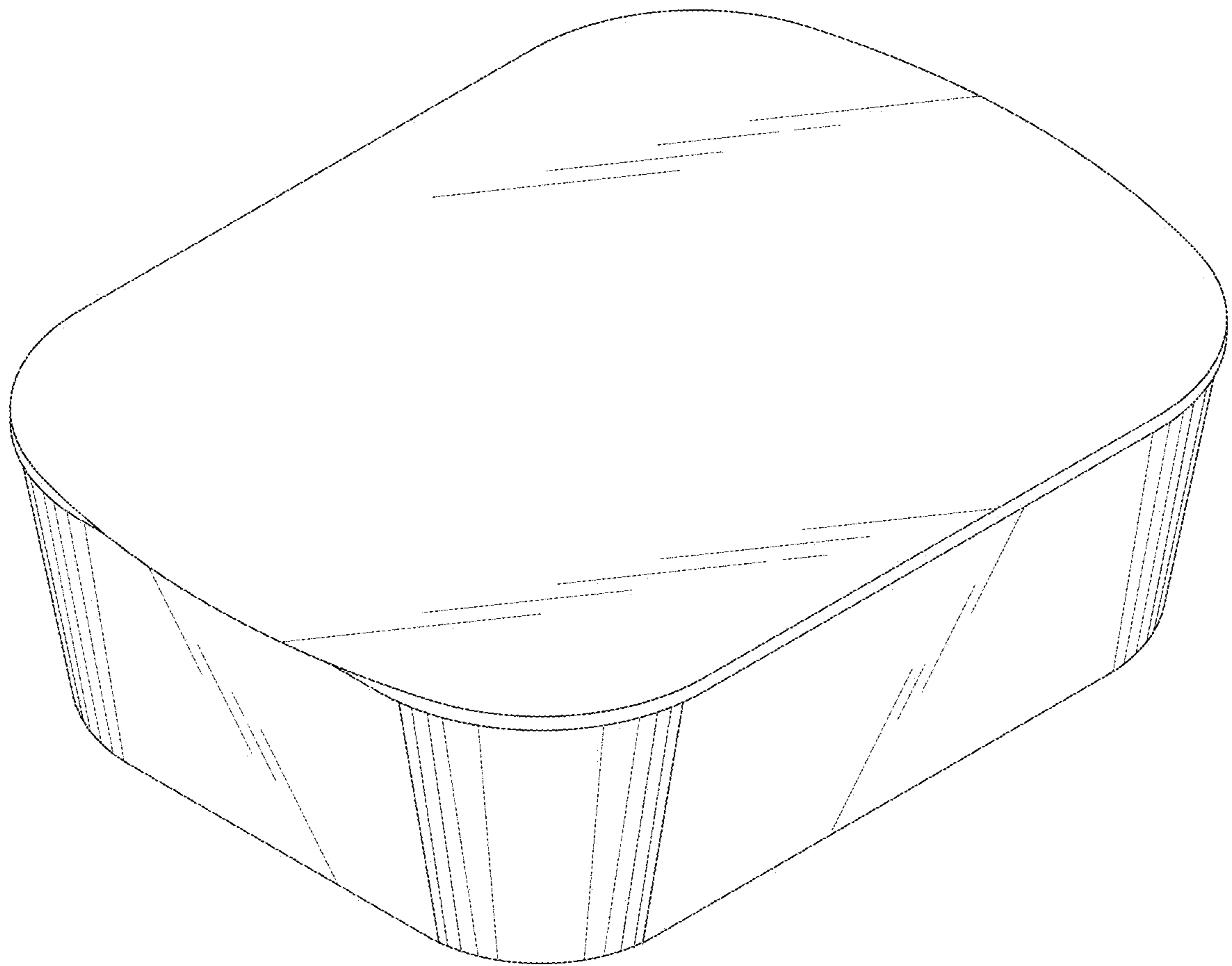


FIG.9