



US00D938785S

(12) **United States Design Patent** (10) **Patent No.:** **US D938,785 S**
Dow et al. (45) **Date of Patent:** **** Dec. 21, 2021**

(54) **BEVERAGE CONTAINER HOLDER**
(71) Applicant: **YETI Coolers, LLC**, Austin, TX (US)
(72) Inventors: **John W. Dow**, Austin, TX (US); **Derek G. Sullivan**, Austin, TX (US)

4,462,444 A 7/1984 Larson
4,540,611 A * 9/1985 Henderson B65D 23/08
150/901
4,620,426 A 11/1986 Pitchford et al.
4,648,525 A 3/1987 Henderson
(Continued)

(73) Assignee: **YETI Coolers, LLC**, Austin, TX (US)
(**) Term: **15 Years**

FOREIGN PATENT DOCUMENTS

CN 301896802 5/2012
CN 301956070 6/2012
(Continued)

(21) Appl. No.: **29/712,568**

(22) Filed: **Nov. 8, 2019**

OTHER PUBLICATIONS

(51) **LOC (13) Cl.** **07-06**
(52) **U.S. Cl.**
USPC **D7/624.2**

Feb. 19, 2021—(WO) International Search Report & Written Opinion—
PCT/US20/058700.

(58) **Field of Classification Search**
USPC D7/605, 608, 624.2, 624.3; D3/202, 229
CPC B65D 81/38; B65D 81/3876; B65D
81/3879; B65D 81/3881; B65D 81/3886;
B65D 81/3888; B65D 81/389; B65D
81/3893; B65D 81/3895; B65D 81/3869;
B65D 81/3897; B65D 81/3883; B65D
23/104; F25D 3/08; F25D 31/007; F25D
31/008; F25D 31/002; F25D 81/006;
A47G 23/0241; A47G 23/0216; A47G
23/0258; A47G 23/0266; A47G 23/02;
A45C 11/20; A45F 3/02; A45F
2200/0583

Primary Examiner — Terry A Wallace
(74) *Attorney, Agent, or Firm* — Banner & Witcoff, Ltd.

See application file for complete search history.

(57) **CLAIM**

The ornamental design for a beverage container holder, as shown and described.

(56) **References Cited**

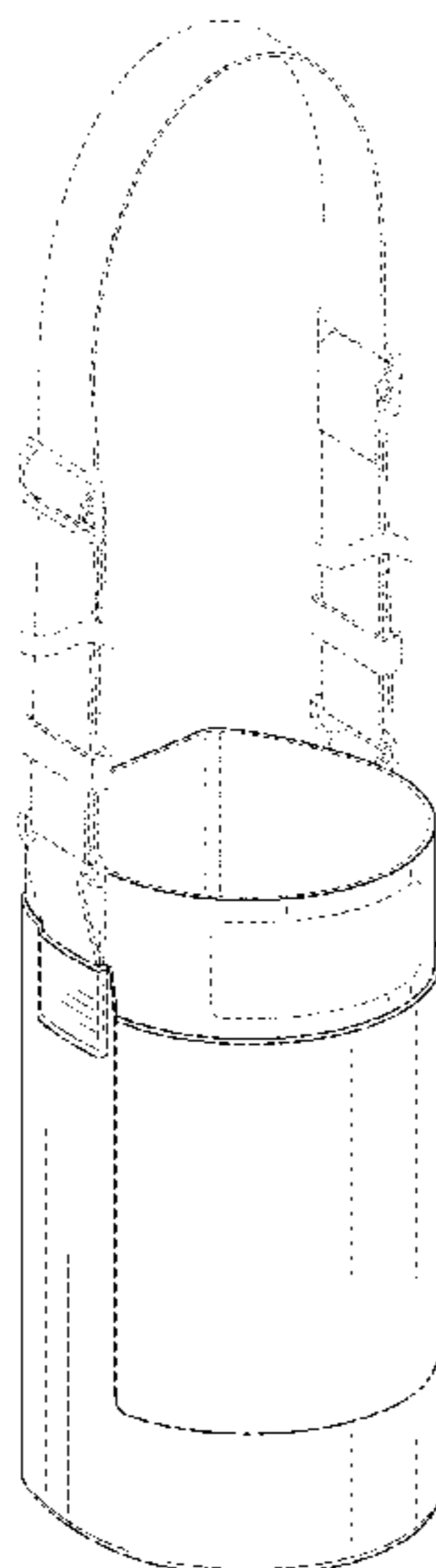
DESCRIPTION

U.S. PATENT DOCUMENTS

1,012,364 A 12/1911 Kent
2,974,814 A 3/1961 Parsons et al.
3,285,455 A 11/1966 Pewitt
4,094,351 A 6/1978 Catenaccio
4,163,374 A 8/1979 Moore et al.
4,181,765 A 1/1980 Harmony
4,194,627 A 3/1980 Christensen
4,197,890 A 4/1980 Simko
4,401,245 A 8/1983 Zills

FIG. 1 is a top, front, left perspective view of a beverage container holder showing our new design;
FIG. 2 is a front view thereof;
FIG. 3 is a rear view thereof;
FIG. 4 is a right side view thereof;
FIG. 5 is a left side view thereof;
FIG. 6 is a top view thereof;
FIG. 7 is a bottom view thereof; and,
FIG. 8 is a top, front, left perspective view showing our new design of FIGS. 1-8 in an exemplary environment.
The broken lines immediately adjacent to the shaded areas define the bounds of the claimed design and form no part thereof. The broken lines depicting features of the beverage container holder form no part of the claimed design.

1 Claim, 7 Drawing Sheets



(56)

References Cited

U.S. PATENT DOCUMENTS

4,802,602 A 2/1989 Evans et al.
 4,871,597 A 10/1989 Hobson
 4,925,071 A 5/1990 Fleming et al.
 4,974,761 A * 12/1990 Luque A45C 1/04
 224/148.5
 5,067,922 A 11/1991 McMahan
 5,169,025 A 12/1992 Guo
 5,222,656 A 6/1993 Carlson
 5,256,131 A 10/1993 Owens et al.
 5,259,529 A 11/1993 Coale
 5,320,249 A 6/1994 Strech
 5,325,991 A 7/1994 Williams
 D349,190 S 8/1994 Wasserman
 5,335,809 A 8/1994 Toida et al.
 D352,827 S 11/1994 Schildkraut
 D353,045 S 12/1994 Chandler
 5,407,110 A 4/1995 Marsh, Jr.
 5,445,315 A 8/1995 Shelby
 D364,539 S 11/1995 Dickey et al.
 5,477,999 A 12/1995 Blankenship, Jr.
 5,501,382 A 3/1996 Webb
 D373,678 S * 9/1996 Haigis D3/229
 5,564,583 A 10/1996 Kelley et al.
 D375,624 S 11/1996 Jensen
 D378,022 S 2/1997 Chen
 5,622,346 A 4/1997 Story, Jr.
 5,740,951 A 4/1998 Jack
 5,941,434 A 8/1999 Green
 D419,392 S 1/2000 Schlebusch
 D419,770 S 2/2000 Mogil
 6,019,245 A 2/2000 Foster et al.
 6,029,847 A 2/2000 Mahoney, Jr. et al.
 6,032,841 A 3/2000 Johnson
 6,131,780 A 10/2000 Becker
 6,145,715 A 11/2000 Slonim
 6,279,794 B1 8/2001 Miyazaki
 6,286,798 B1 9/2001 Chun
 6,318,689 B1 11/2001 Rodriguez
 6,401,993 B1 * 6/2002 Andrino A45F 5/00
 224/148.5
 6,513,661 B1 2/2003 Mogil
 6,533,150 B1 3/2003 Margo et al.
 D474,887 S * 5/2003 Forster D3/229
 6,655,543 B2 12/2003 Beuke
 6,866,172 B2 3/2005 Shackelford
 6,907,877 B2 6/2005 Balogh, II
 6,986,438 B2 1/2006 Leung
 D540,030 S 4/2007 Schnackenberg
 D540,031 S 4/2007 Bouchard
 7,228,987 B2 6/2007 Jones
 D547,618 S 7/2007 Exler
 D549,444 S 8/2007 Schnackenberg
 D567,595 S 4/2008 Christopher
 D581,658 S 12/2008 Leslie
 D601,794 S 10/2009 Jarvio
 D607,115 S 12/2009 Bellamy-Noseworthy et al.
 7,677,407 B2 3/2010 Davis
 D625,513 S 10/2010 Carnes et al.
 7,897,088 B2 3/2011 Mitchell
 8,001,671 B2 8/2011 Mitchell
 8,104,636 B2 1/2012 Crain et al.
 D655,090 S 3/2012 Puckett et al.
 D663,168 S 7/2012 Khan
 D666,877 S 9/2012 Khan
 D669,654 S 10/2012 Rogerson
 8,297,469 B1 10/2012 Alford et al.
 D674,185 S 1/2013 Kao
 D682,544 S 5/2013 Raich
 D688,537 S 8/2013 Napoli
 8,622,262 B2 1/2014 Van Art
 8,678,229 B1 3/2014 Alford et al.
 8,720,739 B2 5/2014 Bollis
 8,757,427 B2 6/2014 Hiner
 D709,736 S 7/2014 Gooding
 D710,654 S 8/2014 Gooding

8,820,367 B2 9/2014 Reyes
 8,870,018 B2 10/2014 Cook et al.
 8,925,876 B2 1/2015 Rubinstein
 9,027,806 B1 5/2015 Gioggia
 9,044,113 B2 6/2015 Hargett
 D739,683 S 9/2015 Krohn
 9,307,854 B2 4/2016 Myers
 9,578,954 B2 2/2017 Sellars
 D780,442 S 3/2017 Tidwell
 9,681,720 B2 6/2017 Davis
 D802,294 S 11/2017 Sola et al.
 D840,674 S 2/2019 Earhart
 2001/0032867 A1 * 10/2001 Silbert A45F 3/16
 224/148.5
 2003/0228072 A1 12/2003 Tyberg
 2005/0173478 A1 8/2005 Gill et al.
 2005/0230405 A1 10/2005 Dix
 2006/0011676 A1 1/2006 Willows et al.
 2006/0037982 A1 2/2006 Lesser
 2006/0138154 A1 6/2006 Essel
 2007/0017924 A1 1/2007 Hundley
 2007/0068944 A1 3/2007 McKinney et al.
 2007/0108239 A1 5/2007 San Nicholas
 2007/0138188 A1 6/2007 Mace et al.
 2007/0138217 A1 6/2007 Hranilovich
 2007/0170189 A1 7/2007 Carlile
 2007/0221693 A1 9/2007 Moore
 2007/0257049 A1 11/2007 Tolan
 2008/0047986 A1 2/2008 Will et al.
 2008/0223887 A1 9/2008 Mills
 2008/0251552 A1 10/2008 Bell
 2009/0050767 A1 2/2009 Stone et al.
 2010/0072234 A1 3/2010 Tymczyna
 2011/0303708 A1 12/2011 Dudley et al.
 2012/0018465 A1 1/2012 Andrews
 2012/0187138 A1 * 7/2012 Vasquez A45C 3/001
 220/739
 2013/0056484 A1 3/2013 Lu et al.
 2013/0098954 A1 4/2013 Inglis
 2013/0213986 A1 8/2013 Couvelier
 2014/0217256 A1 8/2014 Young
 2014/0239003 A1 8/2014 Branca, Jr.
 2014/0291182 A1 10/2014 Cascio
 2014/0339240 A1 11/2014 Moore
 2014/0339244 A1 11/2014 Arnold
 2015/0021346 A1 * 1/2015 Cappuccio A45F 5/00
 220/735
 2015/0266653 A1 9/2015 Hill
 2016/0046430 A1 2/2016 Tractenberg
 2016/0316899 A1 11/2016 Gresham
 2018/0162626 A1 6/2018 Munie et al.
 2018/0242701 A1 8/2018 Seiders et al.

FOREIGN PATENT DOCUMENTS

CN 302376419 4/2013
 CN 303528642 12/2015
 CN 304189791 6/2017
 CN 305043522 S 2/2019
 CN 305048049 S 2/2019
 EM 000084348-0001 2/2004
 EM 000084348-0002 2/2004
 EM 001089932-0001 10/2009
 EM 001827528-0001 8/2011
 EM 001975707-0001 1/2012
 EM 002284596-0001 8/2013
 EM 003561273-0001 1/2017
 GB 3017352 7/2004
 GB 3022544 11/2005
 GB 3022545 11/2005
 GB 3022546 11/2005
 GB 2451667 A 2/2009
 GB 4015417 5/2010
 GB 5003433 7/2016
 GB 6013971 6/2017
 GB 6029555 3/2018
 GB 6052753 1/2019
 JP D1146218 7/2002
 JP D1290061 12/2006

(56)

References Cited

FOREIGN PATENT DOCUMENTS

JP	D1303435	6/2007
JP	D1548152	4/2016
KR	300889209.0000	1/2017
KR	300994276.0000	2/2019
KR	300994277.0000	2/2019
KR	300994279.0000	2/2019
WO	2005016065 A1	2/2005
WO	D089669-001	3/2016
WO	D102724-001	9/2018
WO	D102724-002	9/2018
WO	D102724-003	9/2018
WO	D102724-004	9/2018
WO	D102724-005	9/2018
WO	D102724-006	9/2018
WO	D102724-007	9/2018
WO	D102724-008	9/2018
WO	D102724-009	9/2018
WO	D102724-010	9/2018
WO	D102724-011	9/2018
WO	D102724-012	9/2018
WO	D102724-013	9/2018
WO	D102724-014	9/2018
WO	D102724-015	9/2018

* cited by examiner

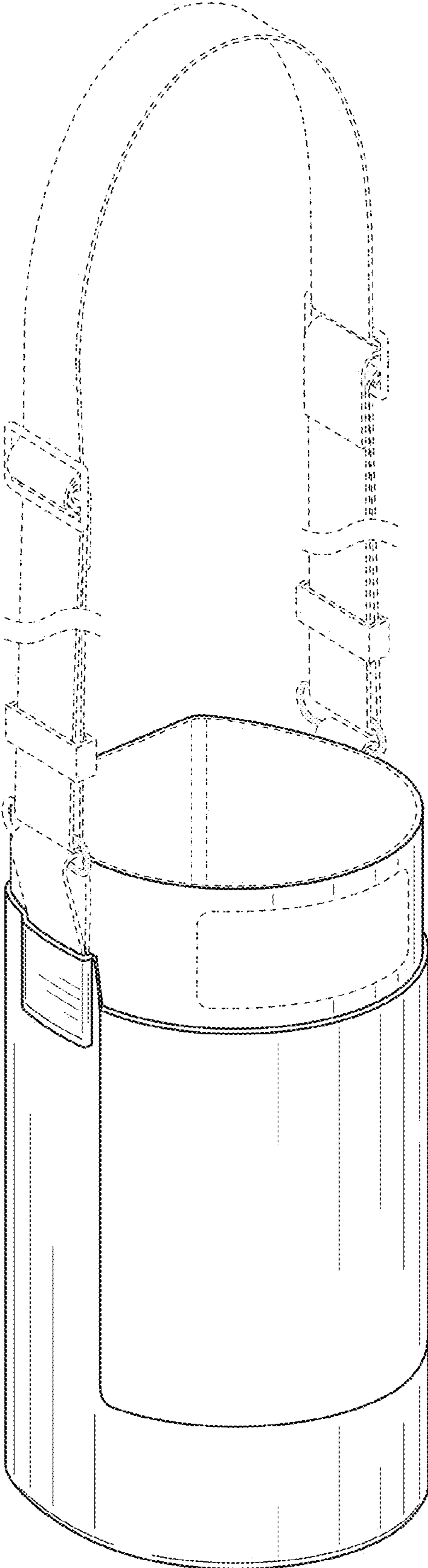


FIG. 1

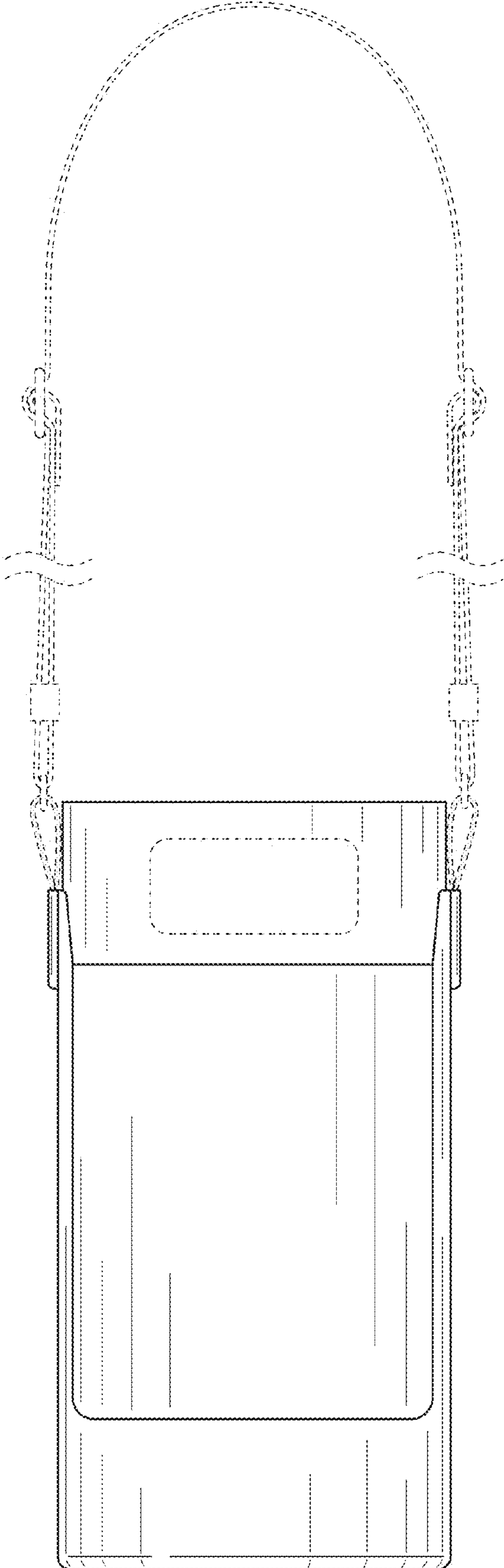


FIG. 2

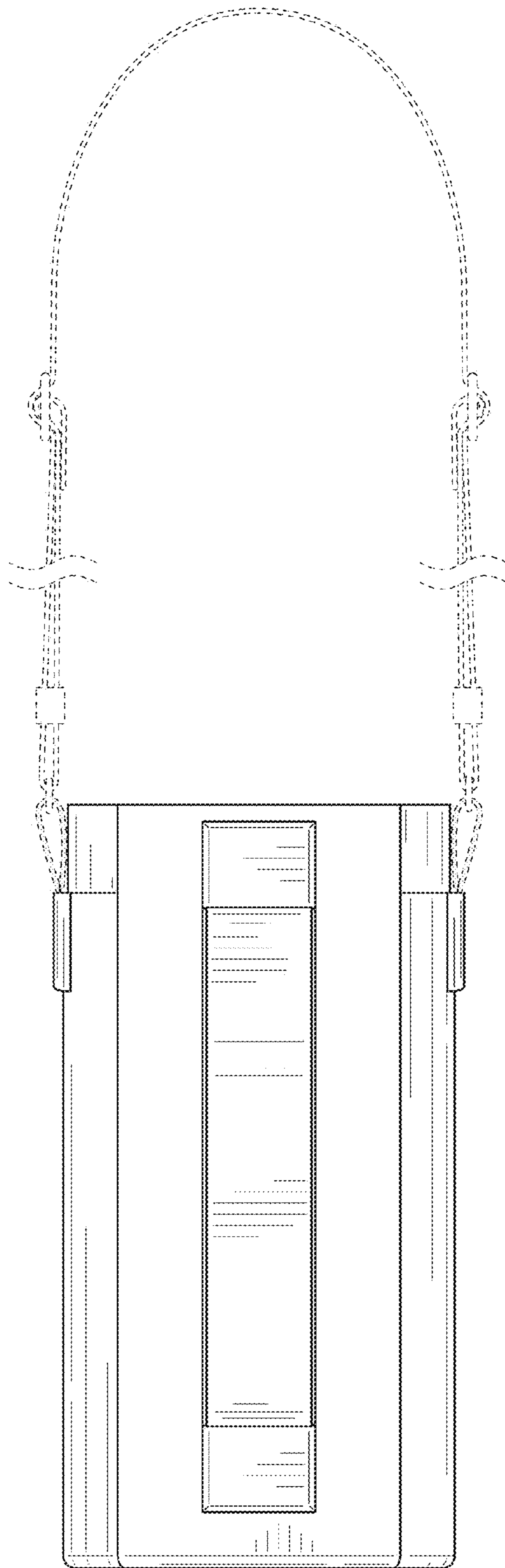


FIG. 3

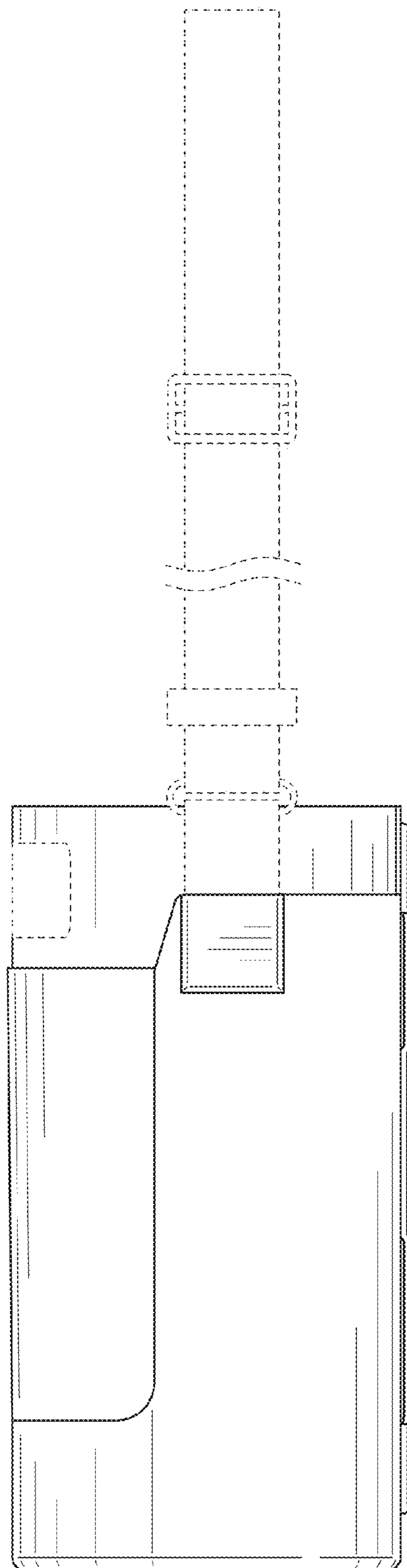


FIG. 4

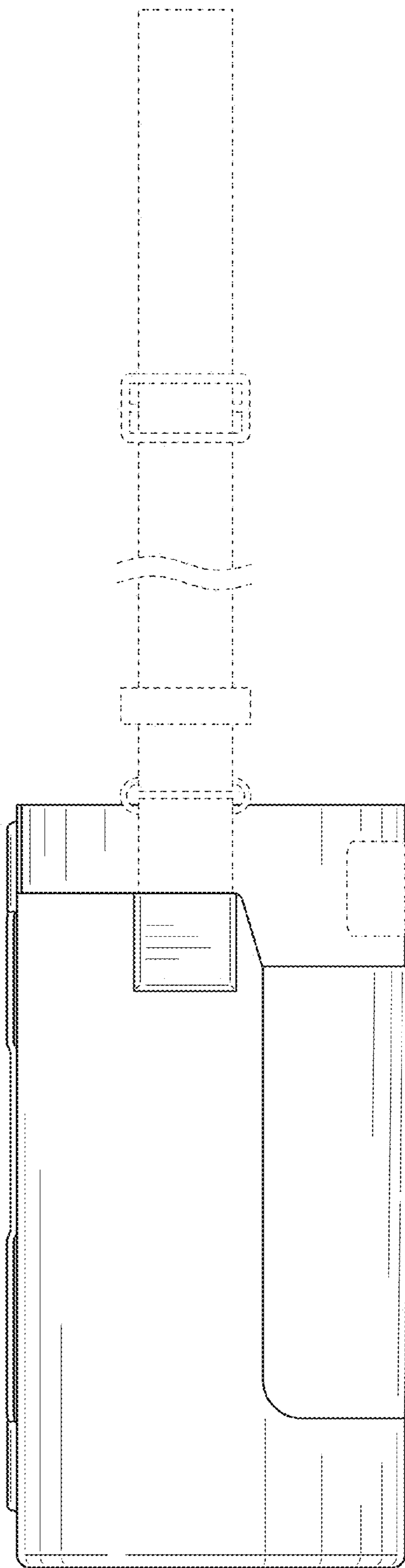


FIG. 5

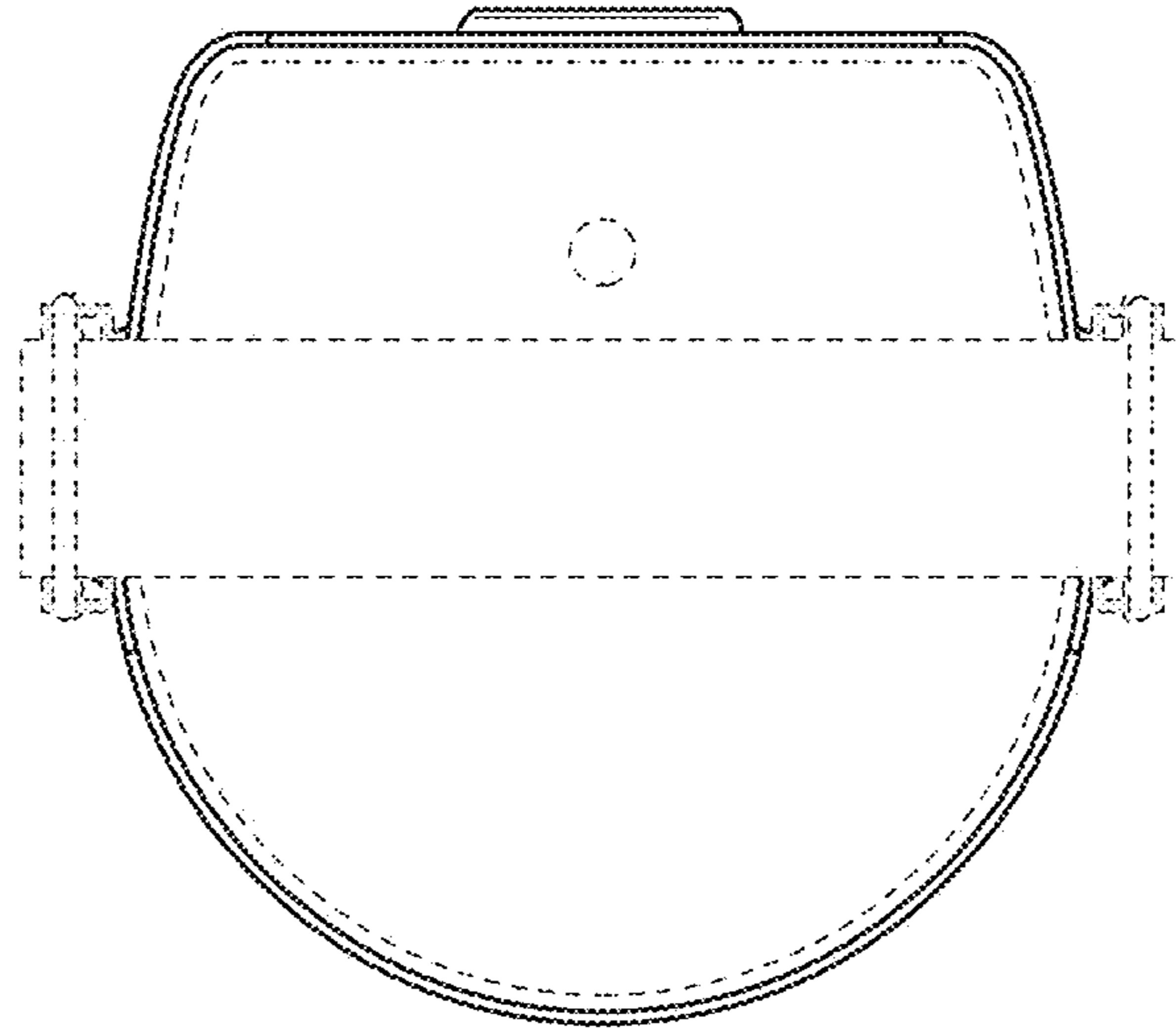


FIG. 6

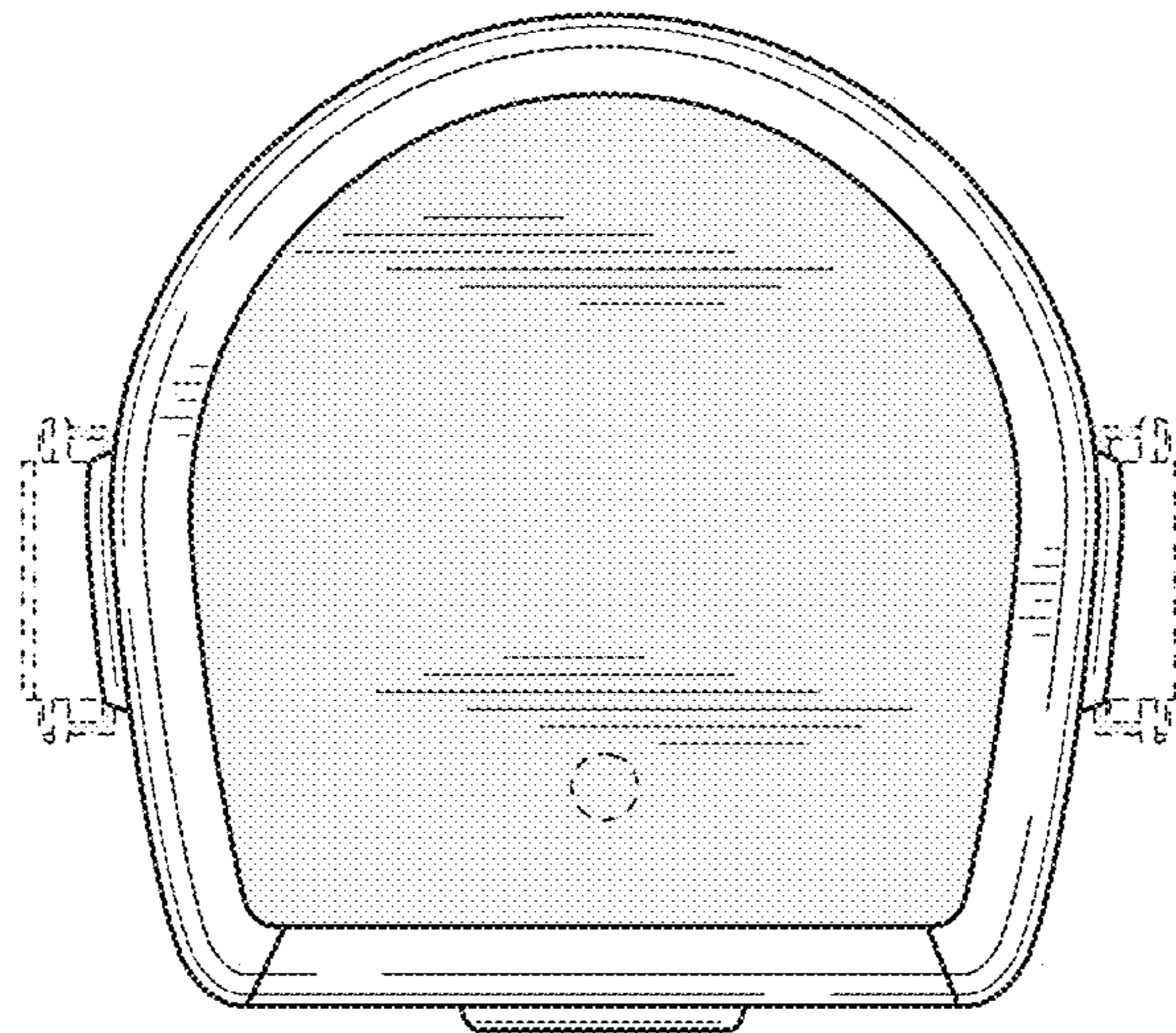


FIG. 7

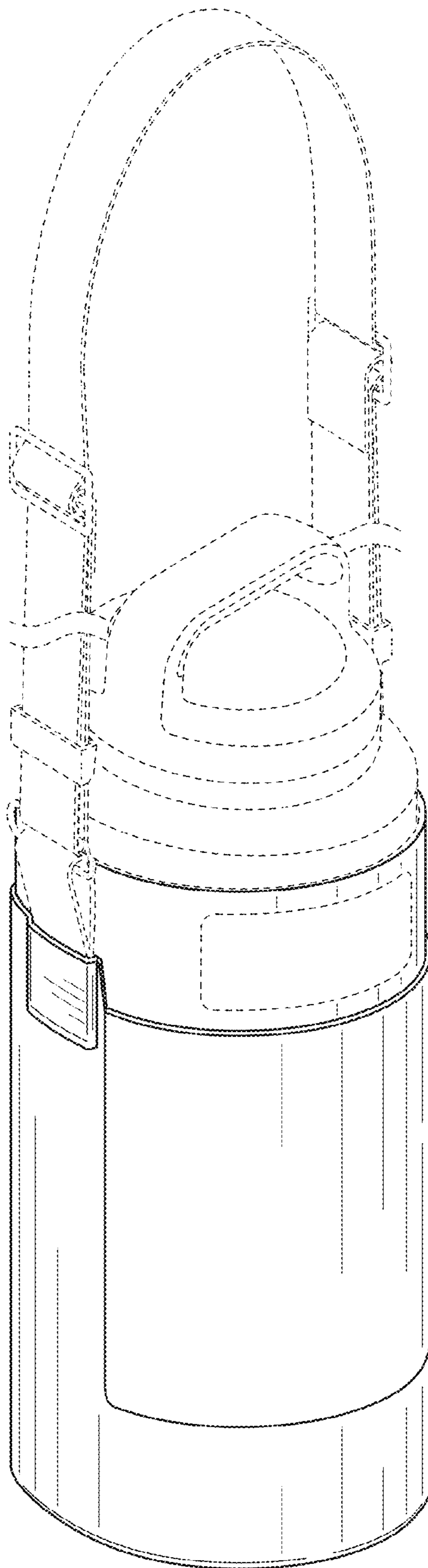


FIG. 8