



US00D938783S

(12) **United States Design Patent** (10) **Patent No.:** **US D938,783 S**
Whitehead (45) **Date of Patent:** **** Dec. 21, 2021**

(54) **COOLER**

2006/0113307 A1* 6/2006 Goulette A45C 11/20
220/495.06

(71) Applicant: **Graeme Whitehead**, Grimsby (CA)

* cited by examiner

(72) Inventor: **Graeme Whitehead**, Grimsby (CA)

Primary Examiner — Terry A Wallace

(**) Term: **15 Years**

(74) *Attorney, Agent, or Firm* — Pharar Patents & Intellectual Property; Andrew A. Pharar

(21) Appl. No.: **29/715,374**

(57) **CLAIM**

(22) Filed: **Dec. 2, 2019**

The ornamental design for a cooler, as shown and described.

(51) **LOC (13) Cl.** **07-01**

DESCRIPTION

(52) **U.S. Cl.**

USPC **D7/605**

(58) **Field of Classification Search**

USPC D7/605, 606, 607; D3/287, 276, 289,
D3/283, 291, 272–274, 201, 203.1–203.8

CPC B65D 81/3897; B65D 81/38;

B65D 81/3813; B65D 81/3816; B65D

81/3818; B65D 81/382; B65D 81/3823;

B65D 81/3825; B65D 81/3827; B65D

81/383; B65D 81/3832; B65D 81/3834;

B65D 81/3848; B65D 81/3851; B65D

81/81; B65D 81/3853; B65D 81/3855;

B65D 81/3858; B65D 81/386; B65D

81/3862; F25D 3/08; F25D 3/02; F25D

3/04; F25D 3/06; F25D 3/14; F25D

3/107; F25D 2331/804; F25D 2331/801;

A45C 11/20; A45C 3/00; A45C 2003/008

See application file for complete search history.

FIG. 1 is a front upper isometric perspective view of a cooler;

FIG. 2 is a rear lower isometric perspective view thereof;

FIG. 3 is front elevation view thereof;

FIG. 4 is a rear elevation view thereof;

FIG. 5 is a right side elevation view thereof;

FIG. 6 is a left side elevation view thereof;

FIG. 7 is a top plan view thereof;

FIG. 8 is a bottom plan view thereof;

FIG. 9 is a front upper isometric perspective view of a cooler with the lid removed;

FIG. 10 is a rear upper isometric perspective view thereof;

FIG. 11 is a front upper isometric perspective view of a cooler lid;

FIG. 12 is a rear lower isometric perspective view thereof;

FIG. 13 is a front upper isometric perspective view of a cooler with the lid removed and handles pulled out;

FIG. 14 is a left side elevation view thereof;

FIG. 15 is a front upper isometric perspective view of a cooler with the handles pulled out; and,

FIG. 16 is a right side elevation view thereof.

The bottom portion and the lid are shown separately for clarity of illustration.

(56) **References Cited**

U.S. PATENT DOCUMENTS

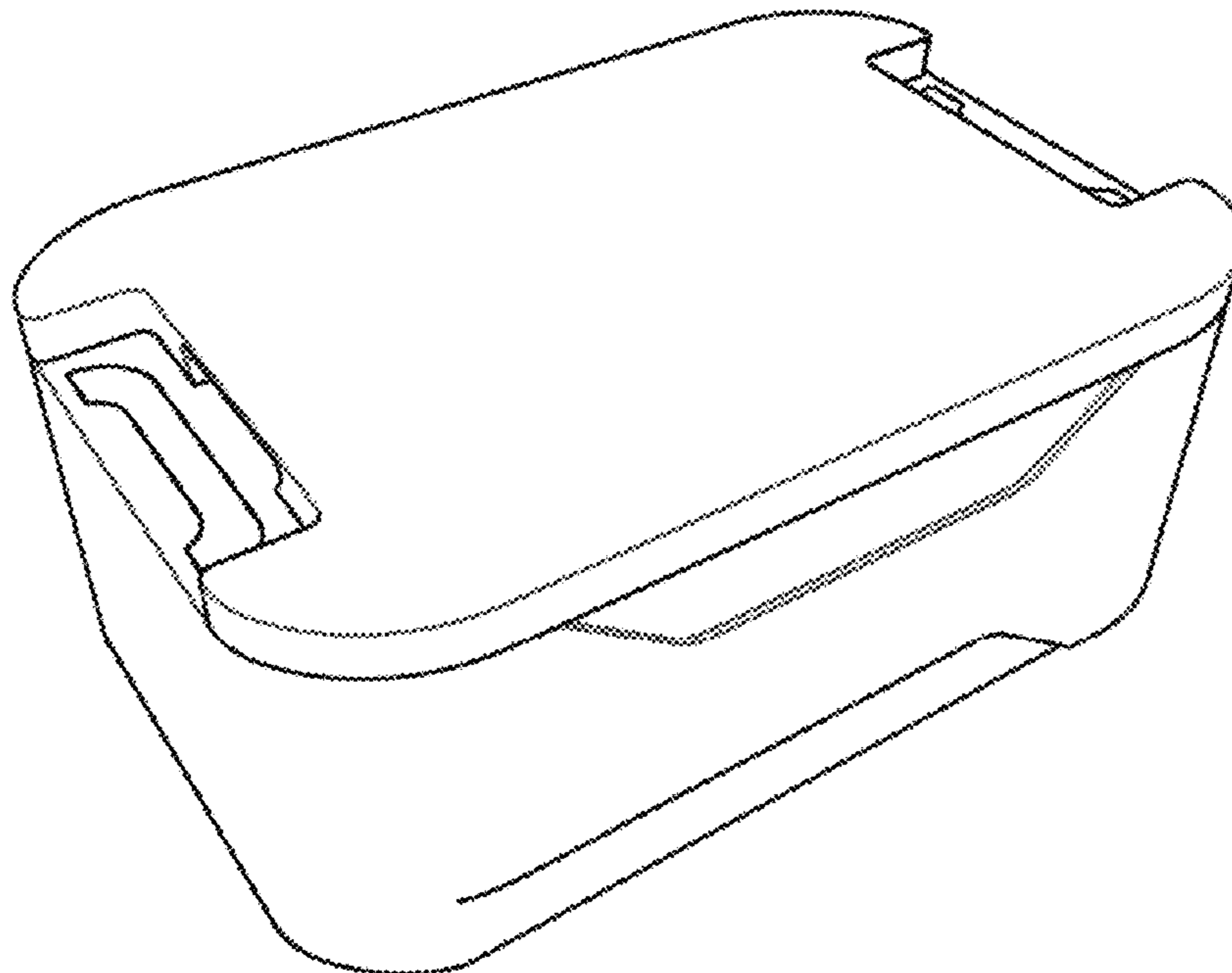
D418,021 S * 12/1999 Terracciano D7/605

6,112,899 A * 9/2000 Zeringue A45C 11/20

206/541

D780,522 S * 3/2017 Howell D7/605

1 Claim, 7 Drawing Sheets



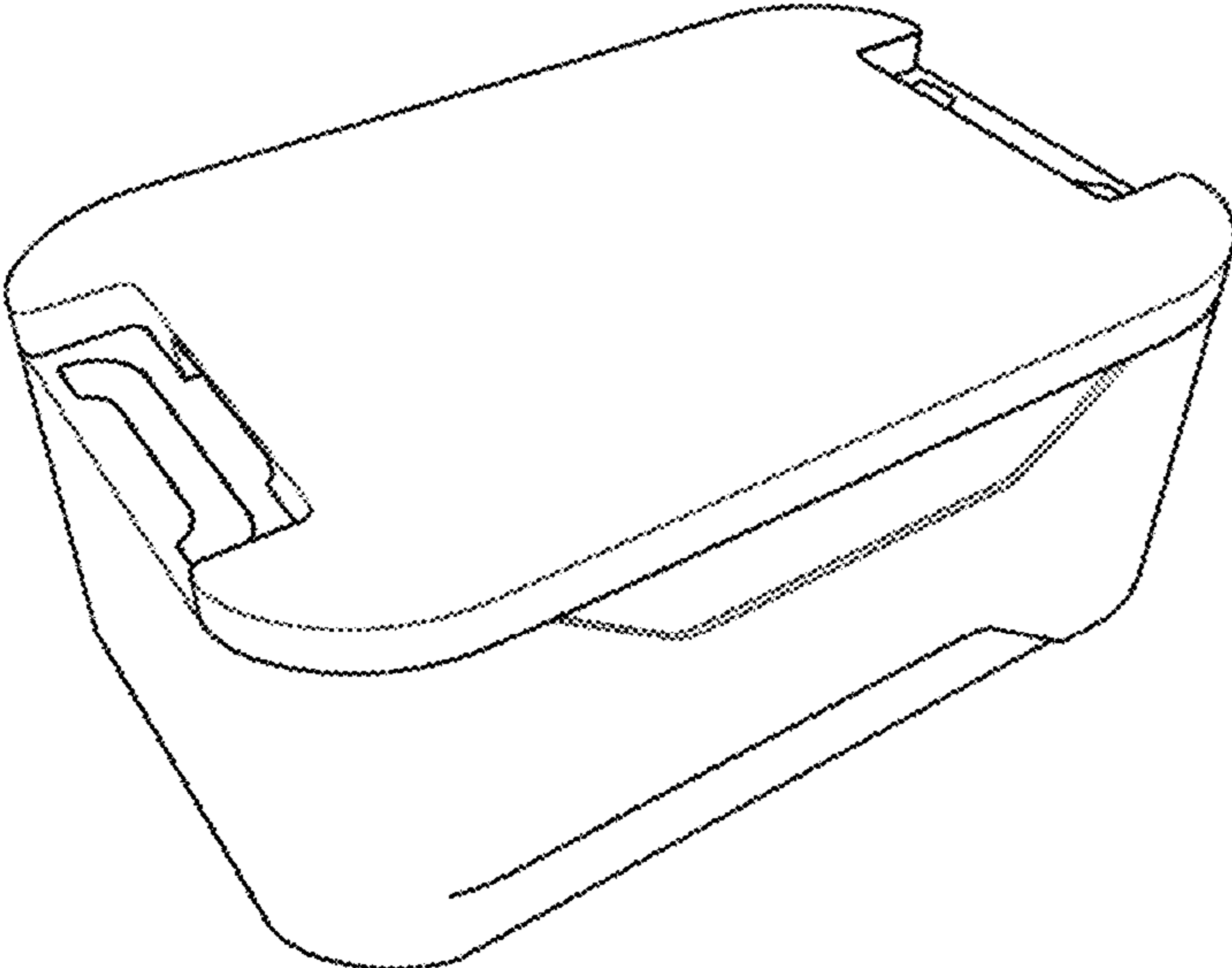


FIG. 1

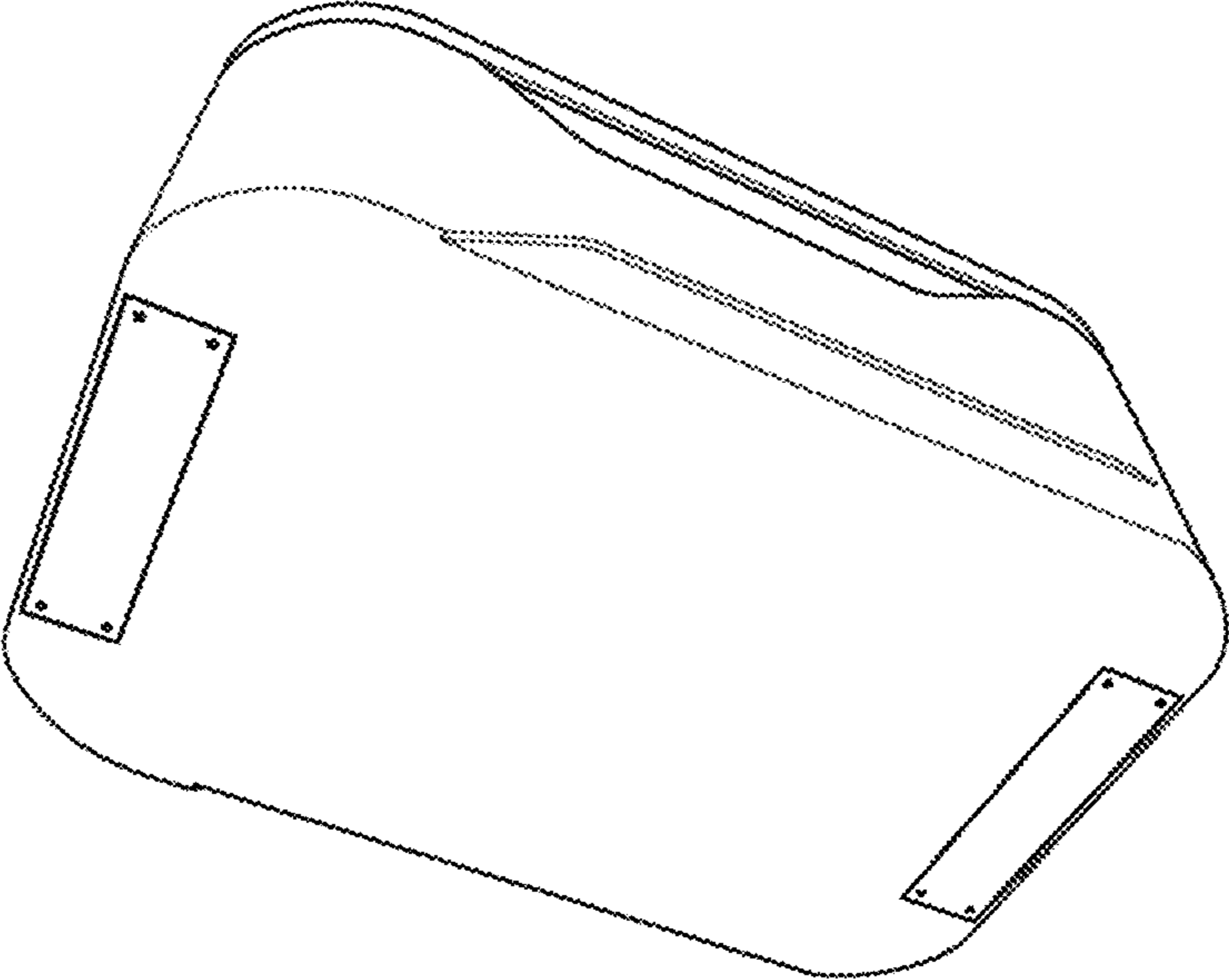


FIG. 2

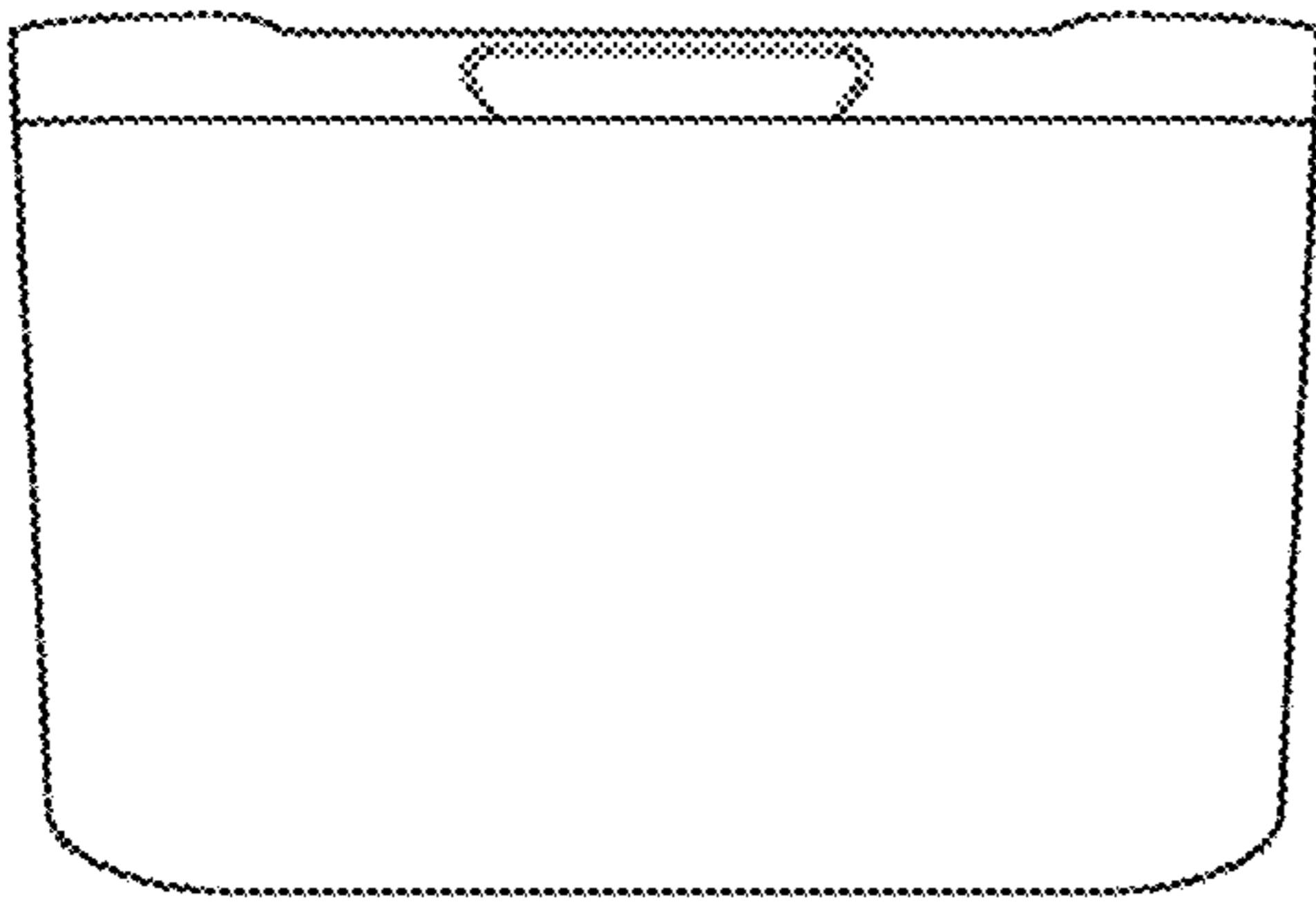


FIG. 3

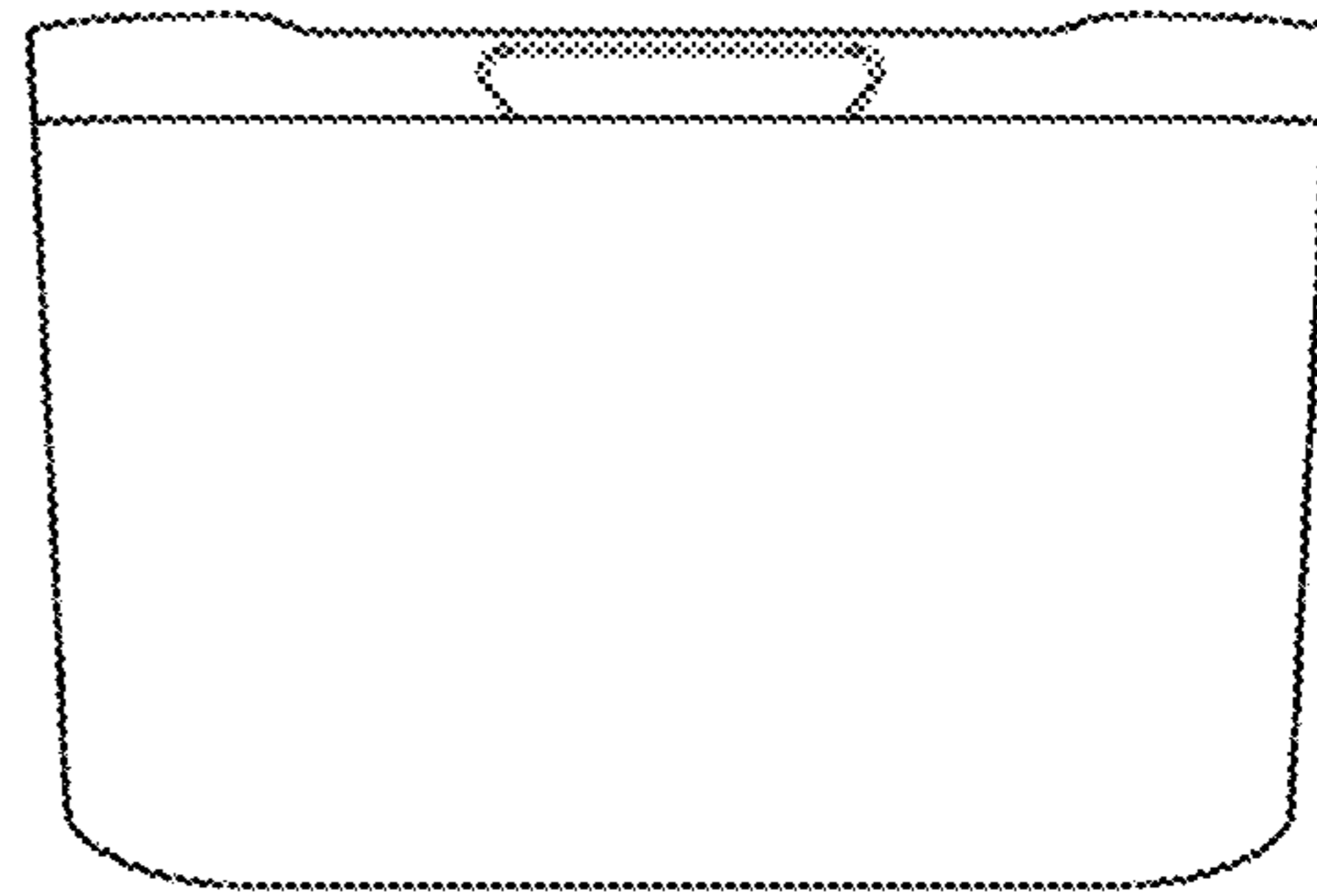


FIG. 4

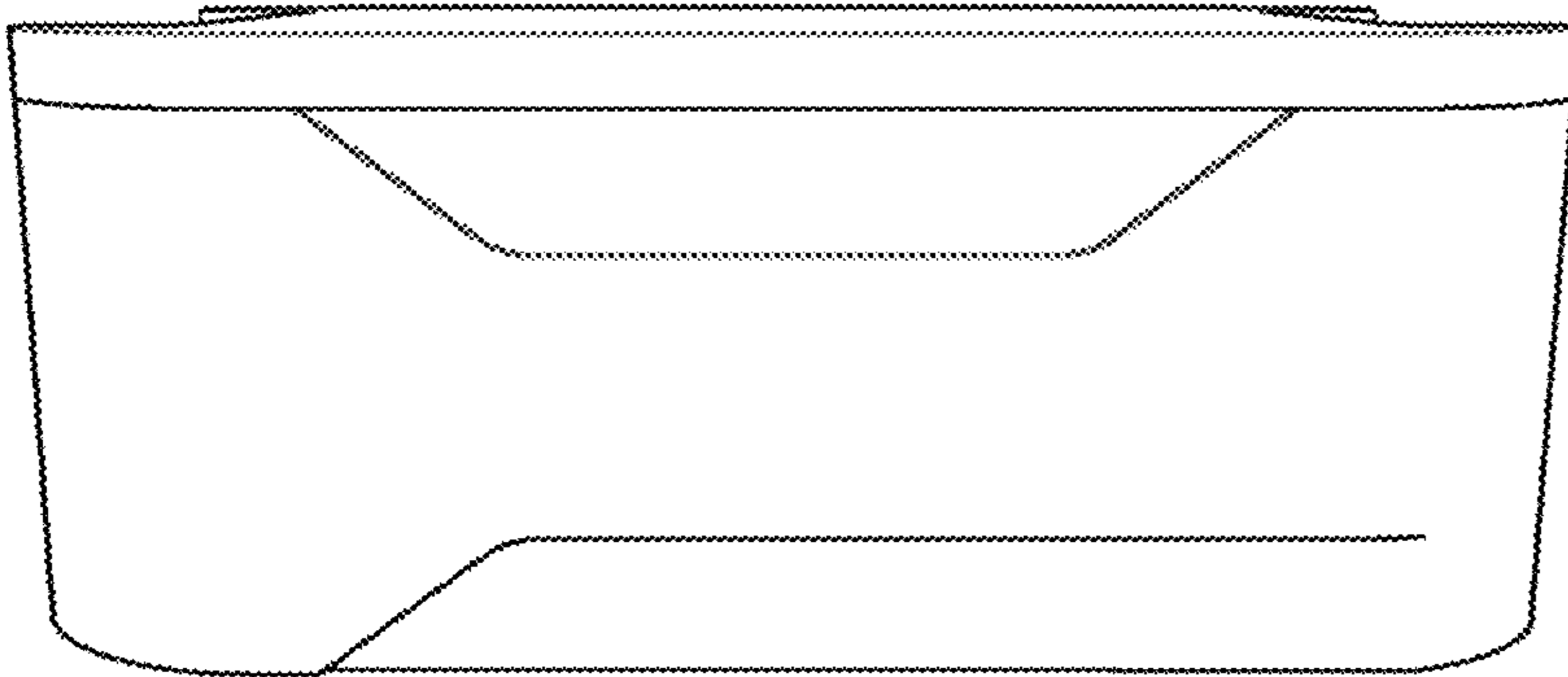


FIG. 5

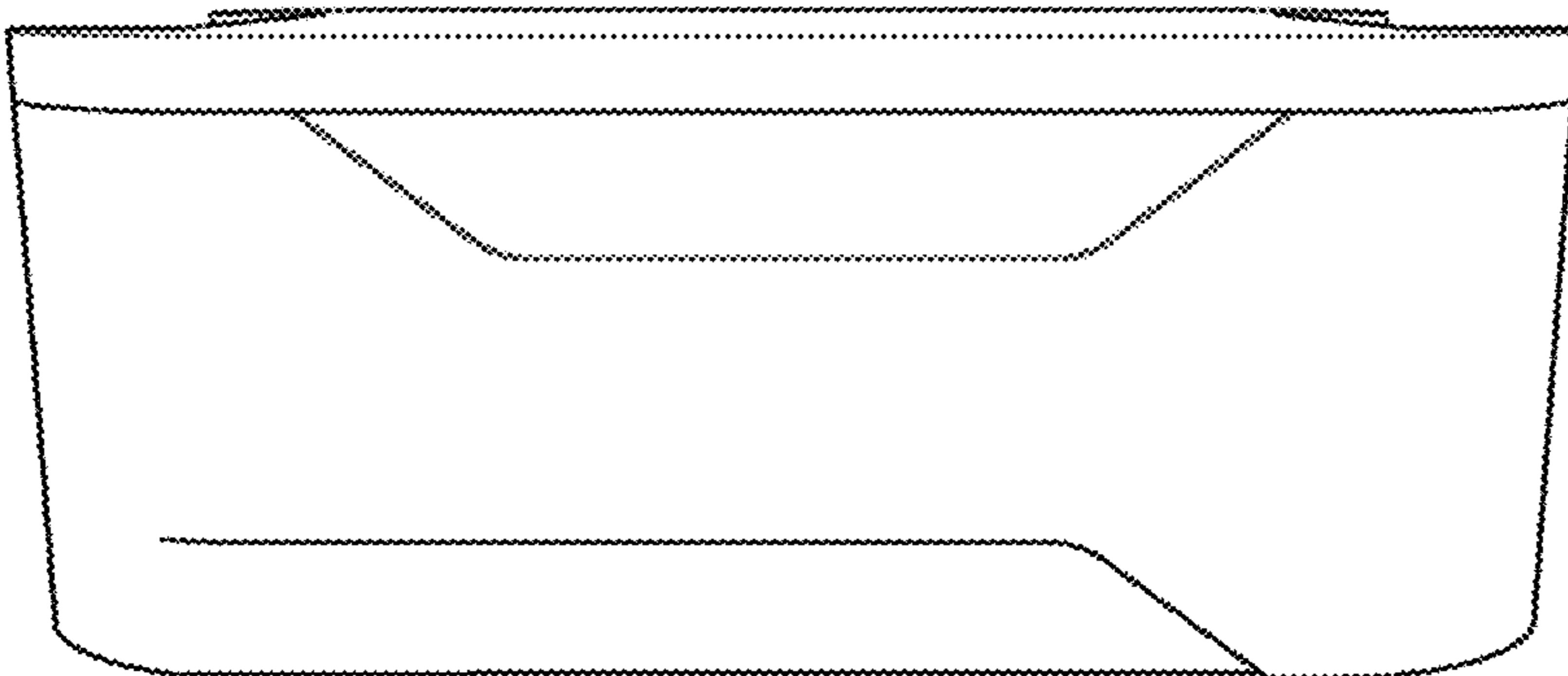


FIG. 6

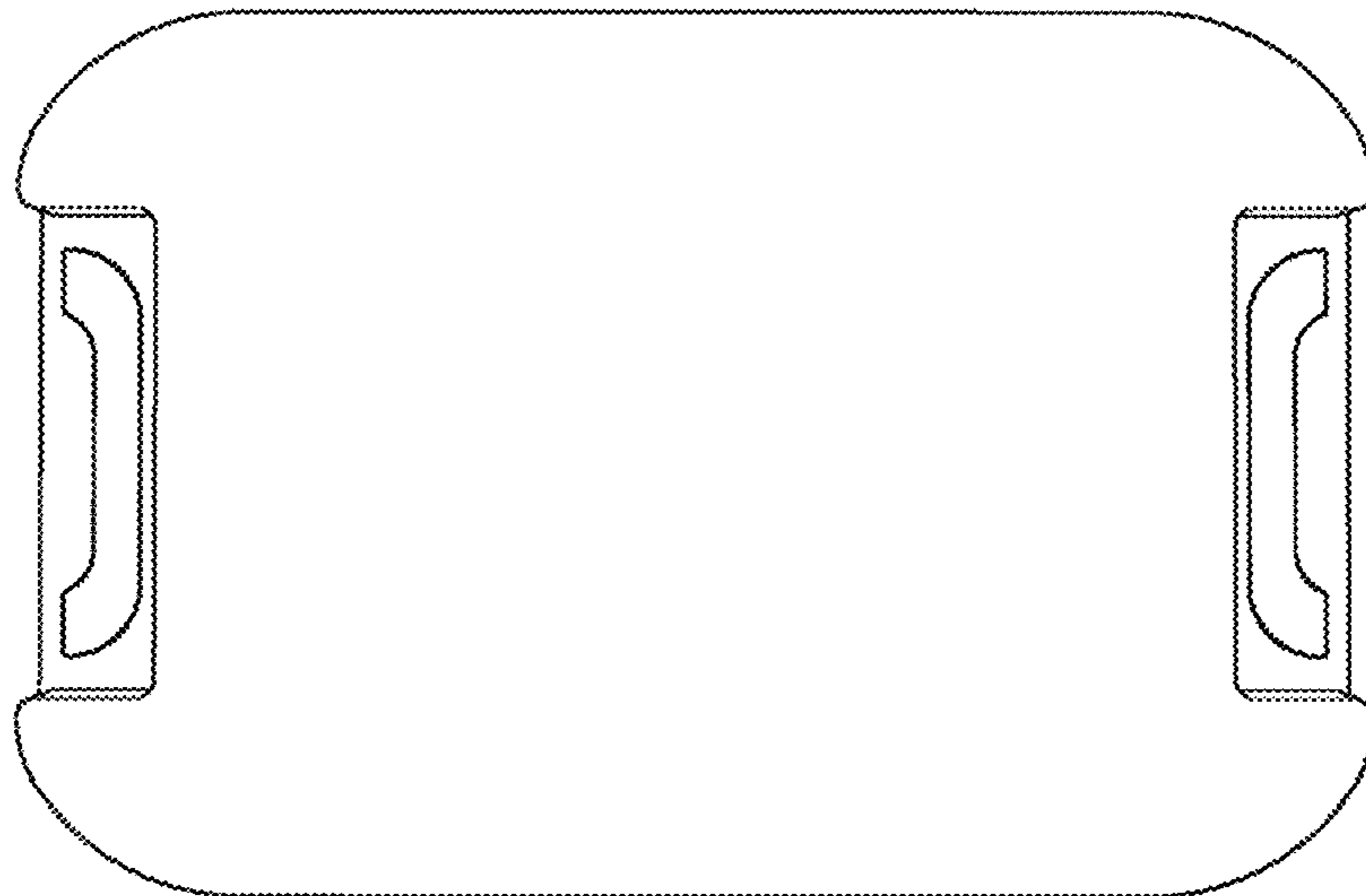


FIG. 7

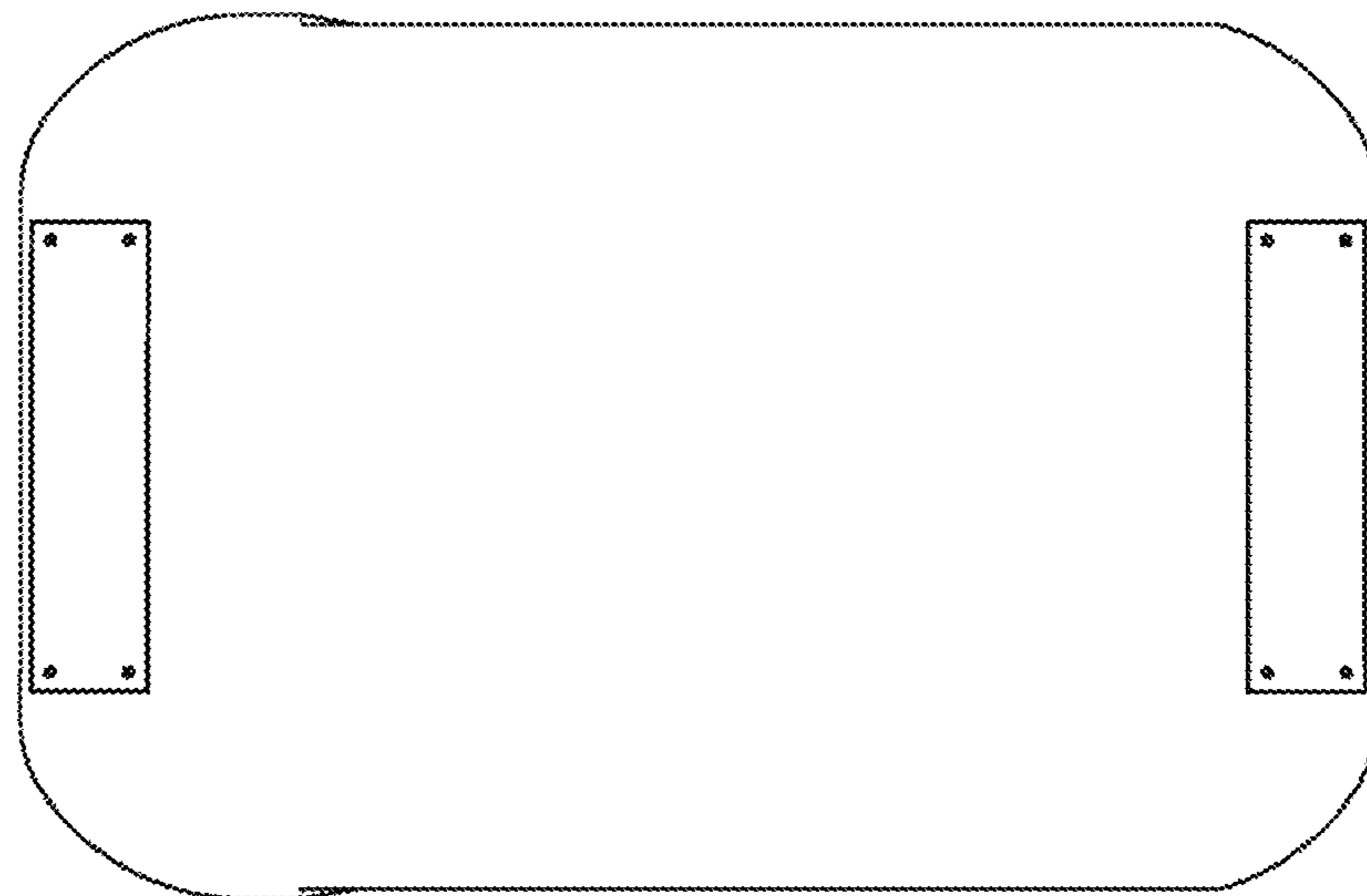


FIG. 8

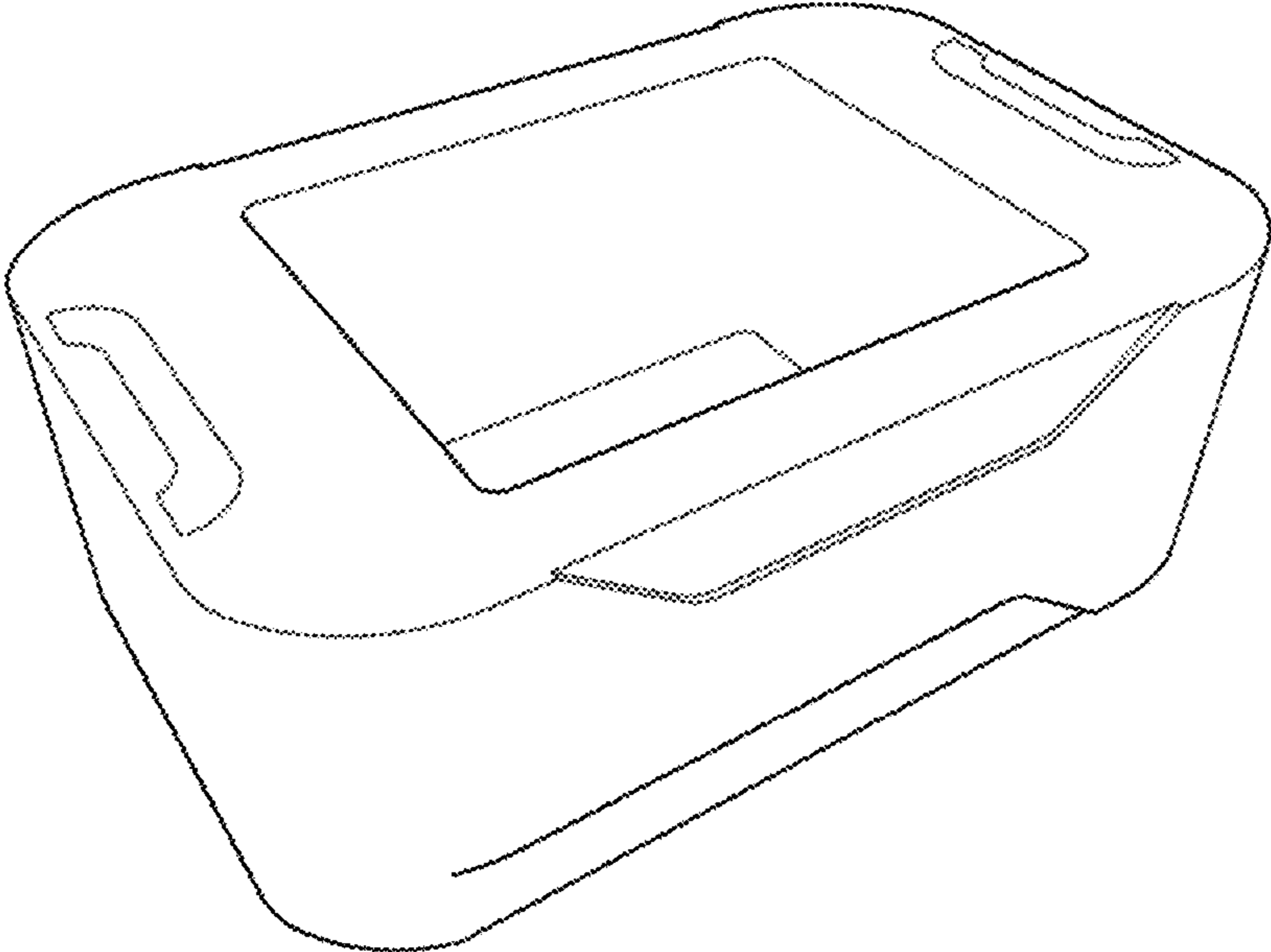


FIG. 9

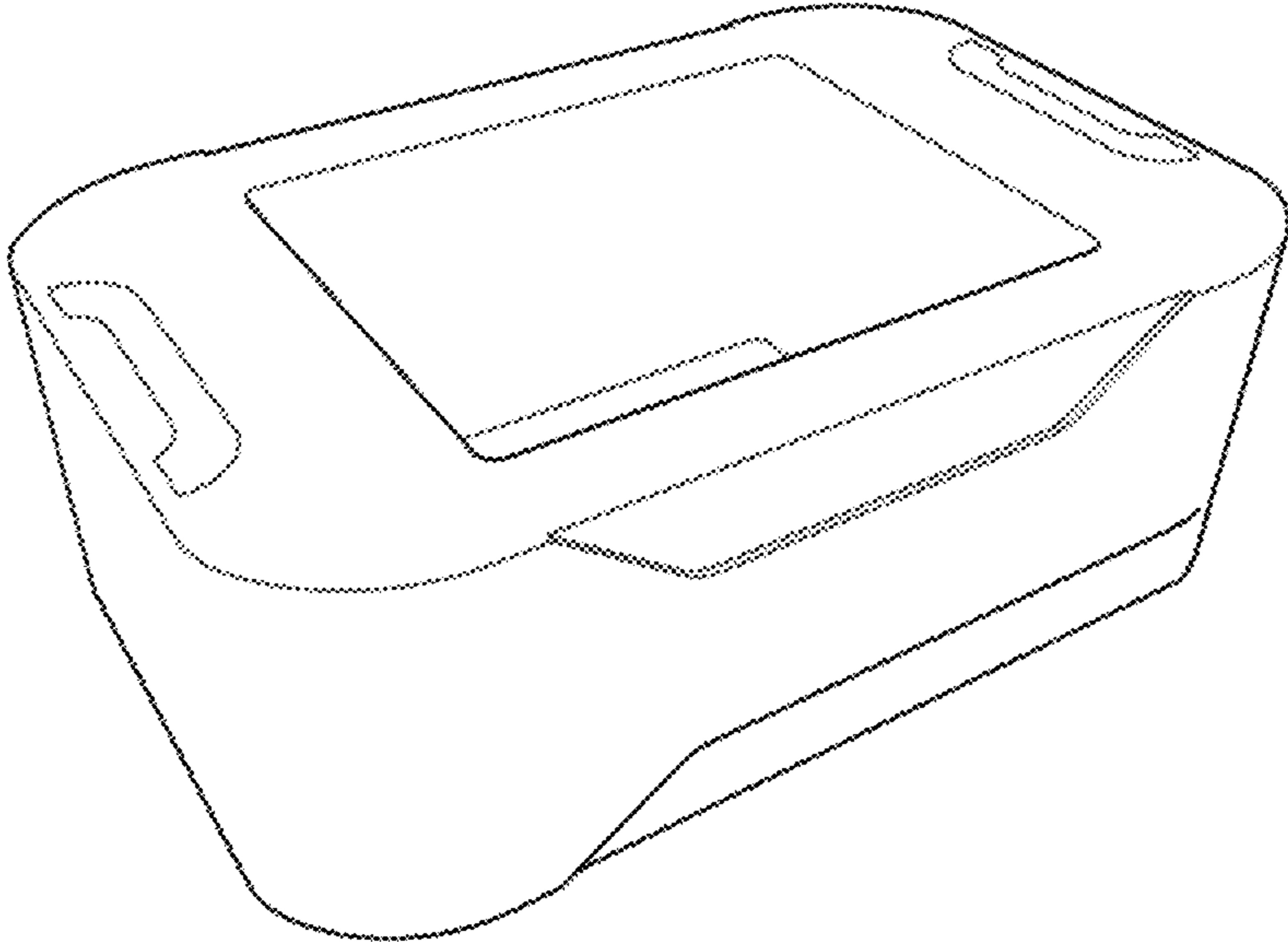


FIG. 10

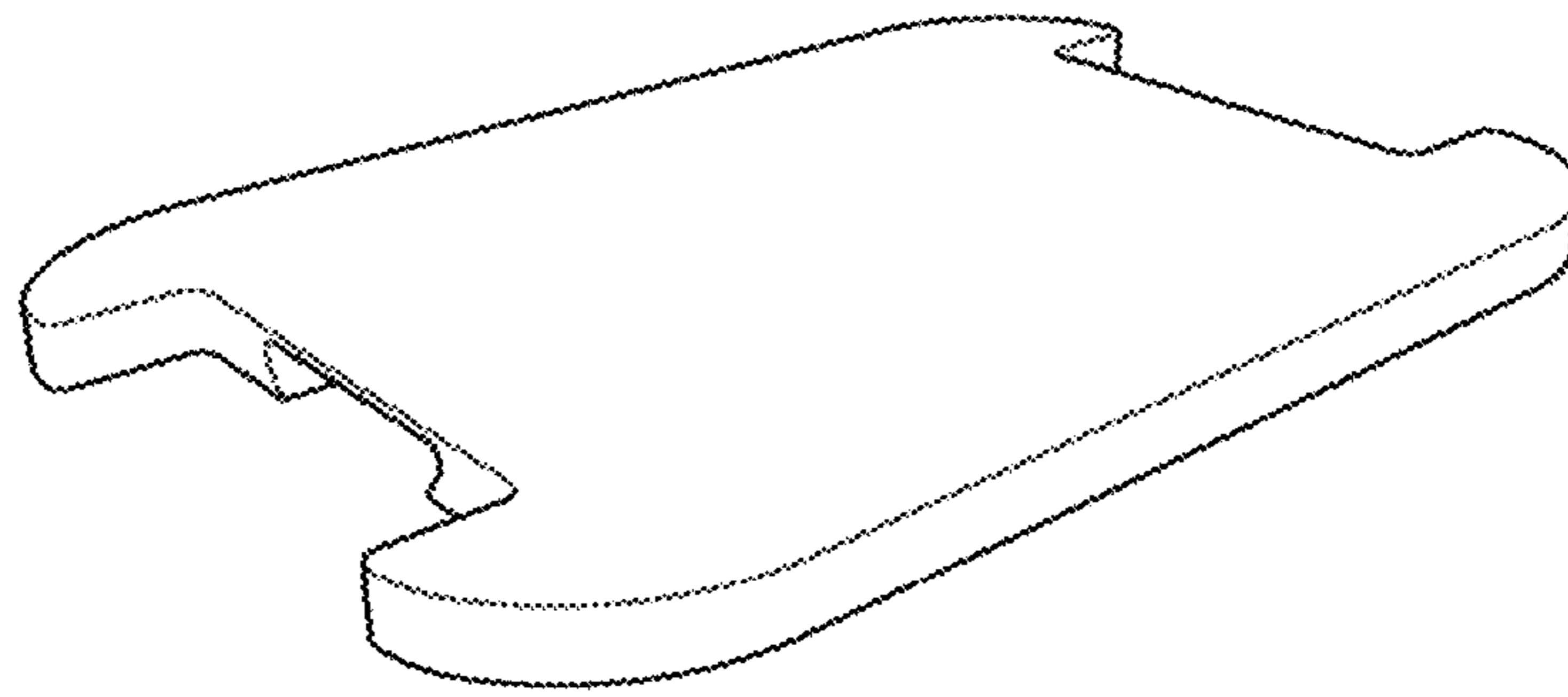


FIG. 11

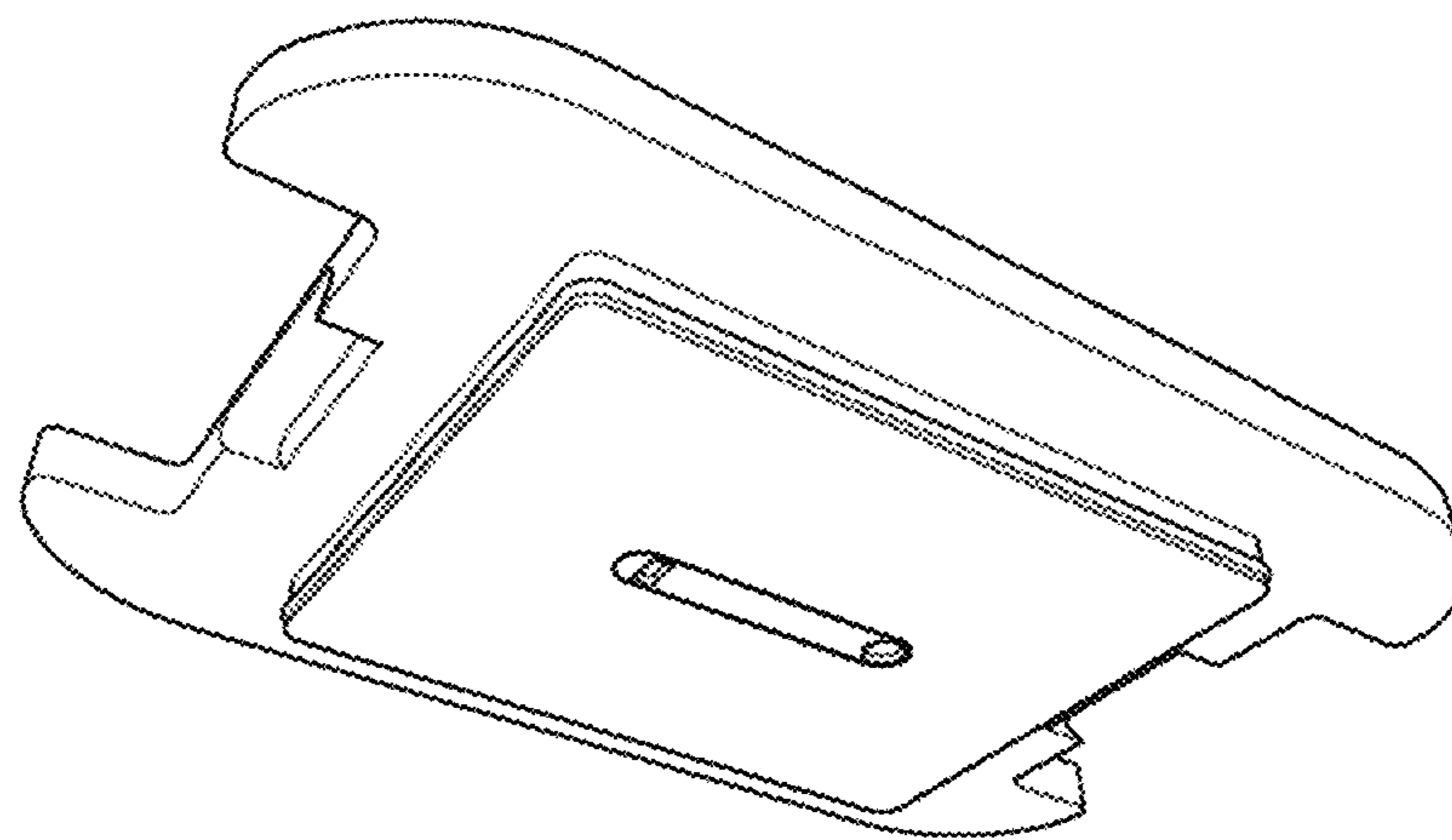


FIG. 12

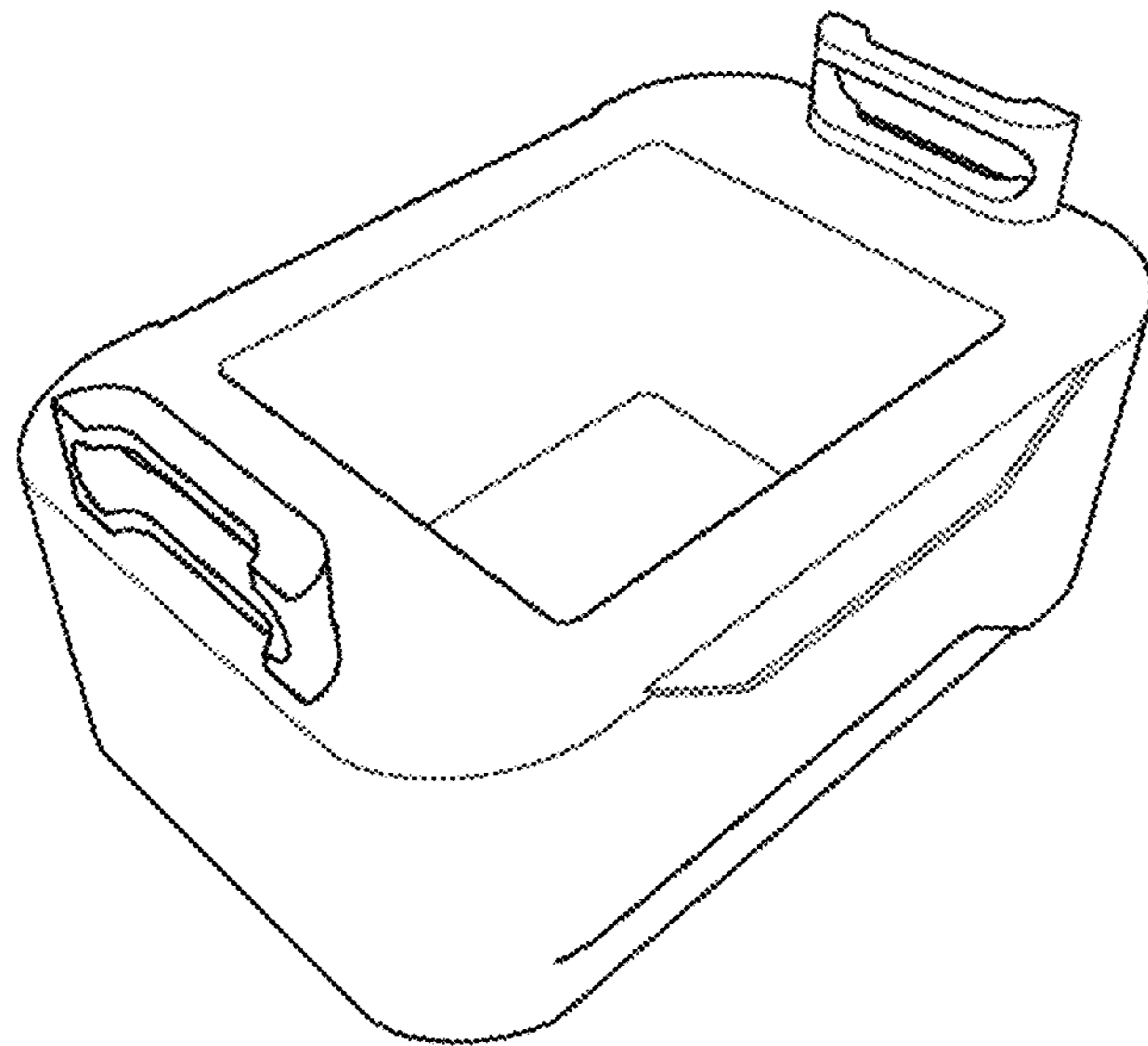


FIG. 13

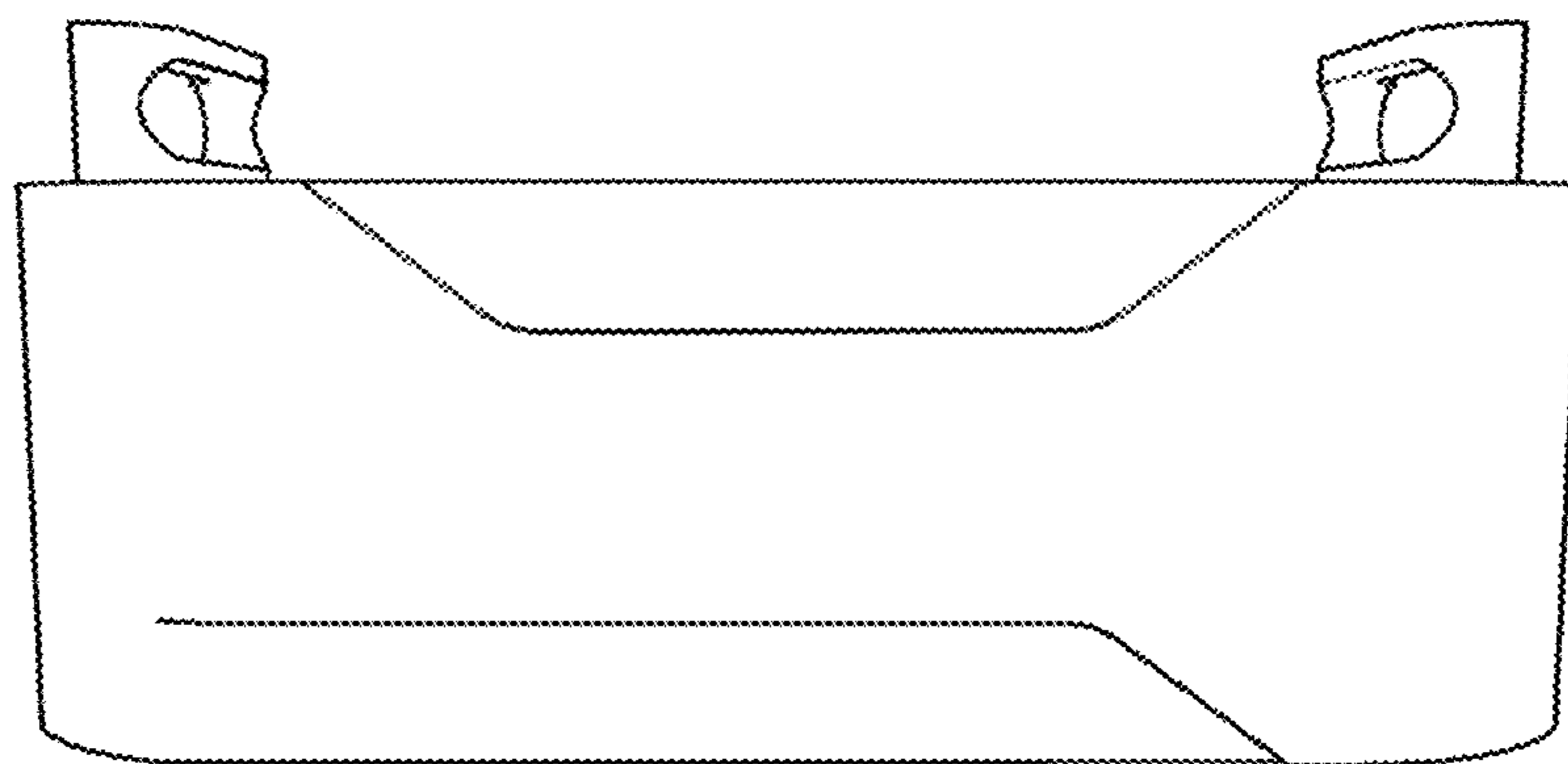


FIG. 14

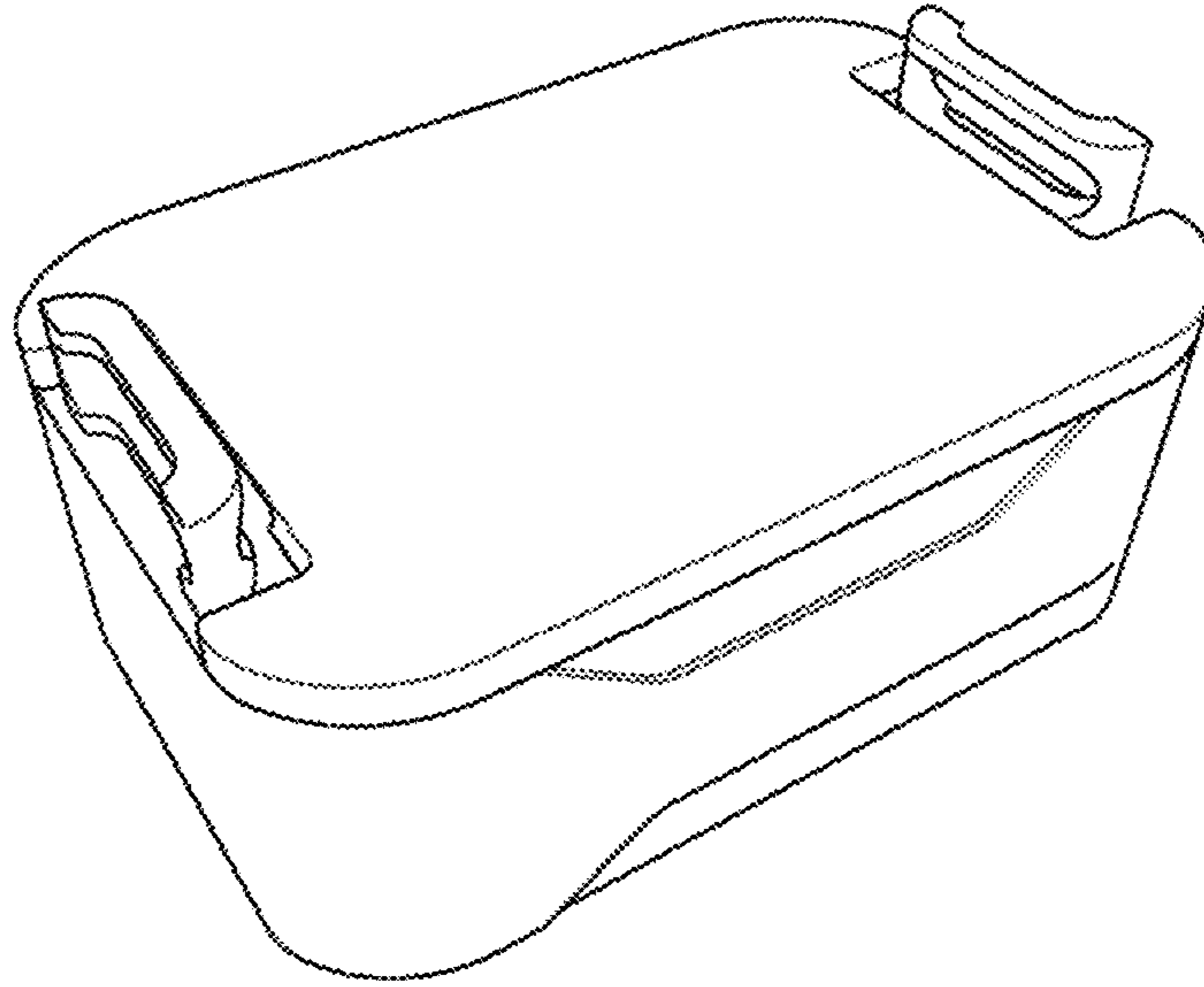


FIG. 15

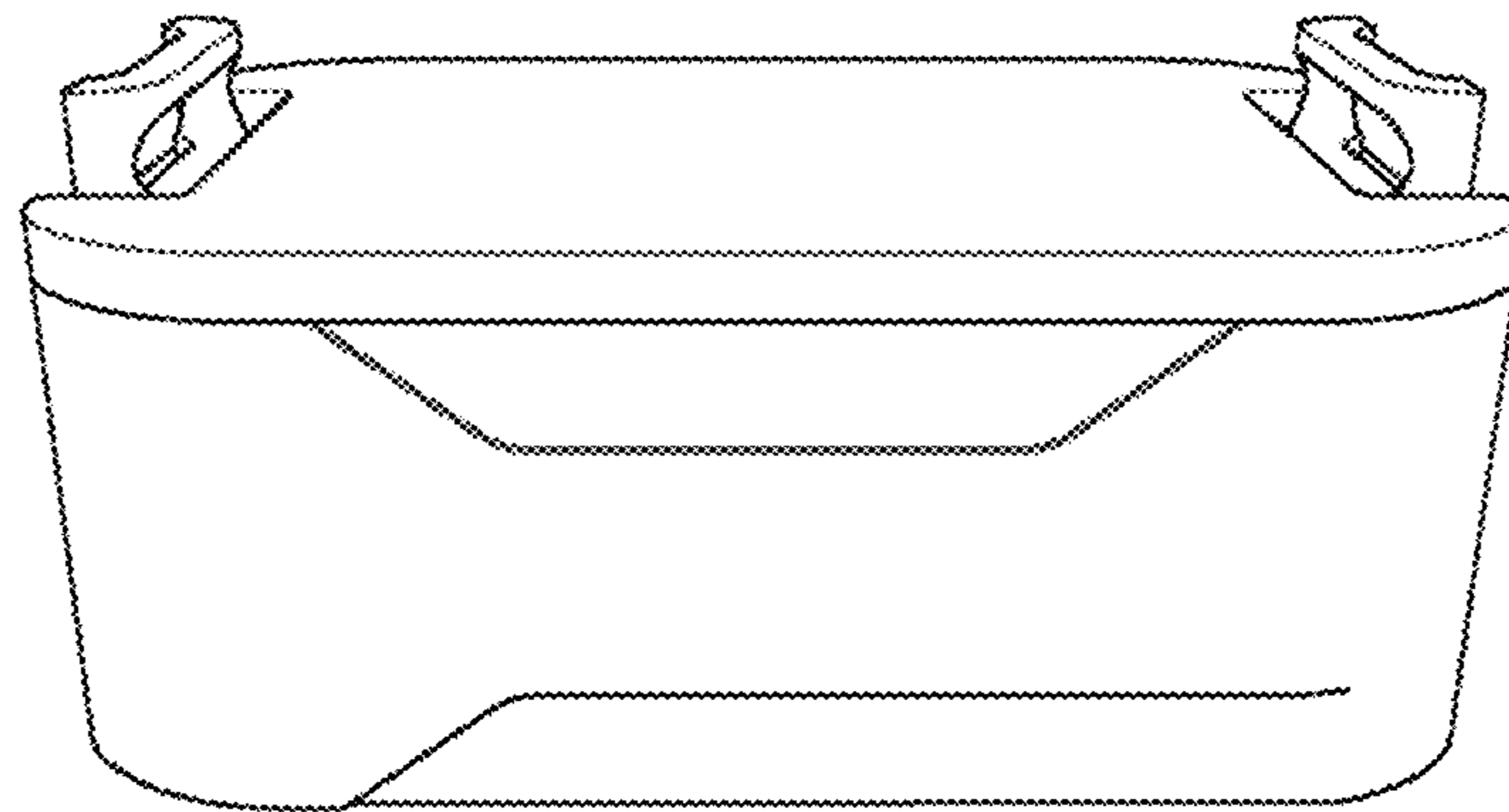


FIG. 16