



US00D938782S

(12) **United States Design Patent**
Godinger

(10) **Patent No.:** **US D938,782 S**

(45) **Date of Patent:** **** Dec. 21, 2021**

(54) **CIGAR GLASS**

(71) Applicant: **Godinger Silver Art Ltd.**, Ridgewood, NY (US)

(72) Inventor: **Arnold Godinger**, Brooklyn, NY (US)

(**) Term: **15 Years**

(21) Appl. No.: **29/741,152**

(22) Filed: **Jul. 9, 2020**

(51) **LOC (13) Cl.** **07-01**

(52) **U.S. Cl.**

USPC **D7/523**; D7/507

(58) **Field of Classification Search**

USPC D7/507, 509, 510, 511, 523, 532, 533, D7/535, 536, 300.1, 608, 392.1, 396.2, D7/629, 531, 529; D9/435, 449, 454, D9/450, 763, 767, 535; 220/200, 592.16, 220/592.17, 495.03; D3/202; D11/152, D11/153, 143, 144; D27/172, 174, 175, D27/183, 176, 187

CPC A47J 43/27; A47J 41/02; A47J 41/0077; A47G 19/22; A47G 19/2288; A47G 19/2205; A47G 19/2266; B65D 81/3869

See application file for complete search history.

(56) **References Cited**

U.S. PATENT DOCUMENTS

D183,940 S * 11/1958 Giorgio D9/535
3,198,377 A * 8/1965 Buckley A47J 45/06
220/771
4,967,918 A * 11/1990 Long A47G 19/2205
215/385
D331,173 S * 11/1992 Durand D7/507
D334,815 S * 4/1993 Bunger D21/501
D340,385 S * 10/1993 Durand D7/509
D483,200 S * 12/2003 Udommahuntisuk D6/407
D519,033 S * 4/2006 Romano D9/535

7,165,697 B1 * 1/2007 Checkalski A47G 19/2205
215/6

D543,450 S * 5/2007 Watzig D9/418
D631,700 S * 2/2011 Flick D7/523

(Continued)

FOREIGN PATENT DOCUMENTS

CN 303835636 * 9/2016
CN 304798609 * 9/2018

(Continued)

OTHER PUBLICATIONS

The Whiskey Whisperer _ Yanko Design [Online] URL: <https://www.yankodesign.com/2017/10/31/the-whiskey-whisperer/> (site visited: Aug. 12, 2021) (Year: 2017).*

(Continued)

Primary Examiner — Jae Liang

Assistant Examiner — Tia Ruth-Renee Polidori

(74) *Attorney, Agent, or Firm* — Bochner IP, PLLC;
Andrew D. Bochner

(57)

CLAIM

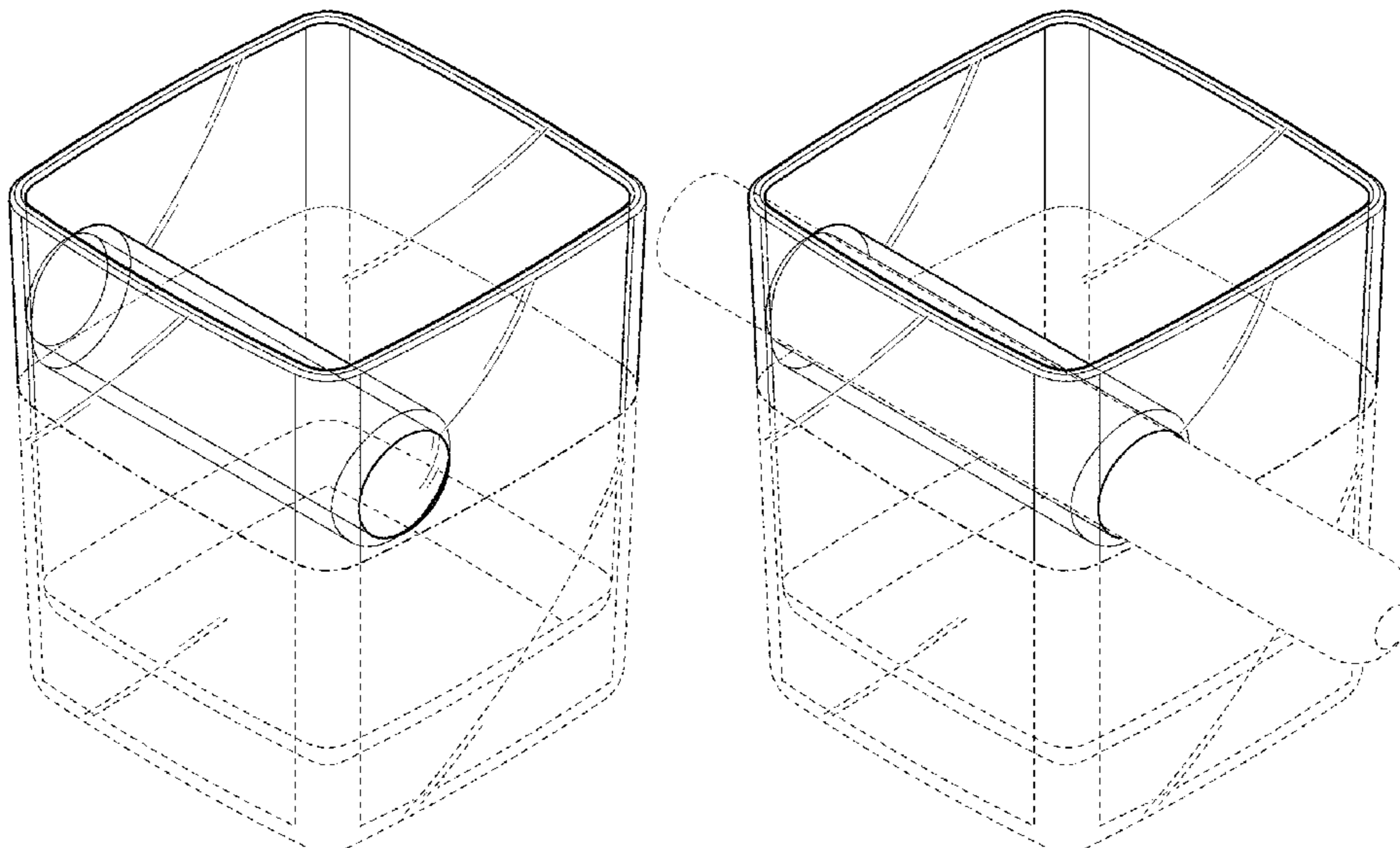
I claim the ornamental design for a cigar glass, as shown and described.

DESCRIPTION

FIG. 1 is a top, front perspective view of a cigar glass;
FIG. 2 is a front elevation view thereof;
FIG. 3 is a rear elevation view thereof;
FIG. 4 is a left-side elevation view thereof;
FIG. 5 is a right-side elevation view thereof;
FIG. 6 is a top plan view thereof;
FIG. 7 is a bottom plan view thereof; and,
FIG. 8 is an environmental perspective view of FIG. 1.

The dot-dash broken lines define the bounds of the claim and form no part of the claimed design. The dash-dash broken lines depict environment that forms no part of the claimed design.

1 Claim, 4 Drawing Sheets



(56)

References Cited

U.S. PATENT DOCUMENTS

D653,549 S * 2/2012 Holtz A24F 13/12
 D9/535
 D679,143 S * 4/2013 Wegzyn A47G 19/22
 D7/536
 D714,154 S * 9/2014 Keeler A47G 23/0241
 D9/535
 D736,454 S * 8/2015 Audibert D27/183
 D753,441 S * 4/2016 Varano D7/507
 9,315,293 B2 * 4/2016 Vucich A47G 19/2205
 D758,917 S * 6/2016 Smith D11/155
 D800,500 S * 10/2017 Bricker D7/509
 D803,002 S * 11/2017 Gretz D7/536
 D819,883 S * 6/2018 Shotwell D27/118
 10,005,589 B2 * 6/2018 Shakeri Clark B65D 43/0225
 D846,185 S * 4/2019 Shotwell D27/118
 D846,947 S * 4/2019 Godinger D7/507
 10,349,768 B1 * 7/2019 Jackson B65D 77/0446
 D875,474 S * 2/2020 Deutsch D7/529
 D893,954 S * 8/2020 Bailey, Jr. D7/523
 D904,842 S * 12/2020 Hsieh D8/29
 D918,657 S * 5/2021 Ouyang D7/507
 11,033,131 B2 * 6/2021 Garcia A47G 23/0241
 2003/0052018 A1 * 3/2003 Wilson A47G 19/22
 206/217
 2017/0000186 A1 * 1/2017 Russell A24F 13/12
 2018/0105090 A1 * 4/2018 Allen B60N 3/083
 2019/0117006 A1 * 4/2019 Cerasani A45F 3/18

FOREIGN PATENT DOCUMENTS

CN 304944010 * 12/2018
 CN 304944049 * 12/2018
 CN 305489692 * 12/2019
 CN 305489693 * 12/2019
 CN 305489694 * 12/2019
 CN 306429112 * 4/2021
 CN 306500762 * 4/2021
 CN 306625983 * 6/2021
 EM 003011642-0001 * 7/2016
 EM 007786835-0001 * 11/2020
 GB 9007786835-0001 * 4/2020

OTHER PUBLICATIONS

Godinger Cigar Whiskey Glass [Online] URL: <https://www.amazon.com/Godinger-Cigar-Glass-Fashioned-Indented/dp/B07KX64VT8> (site visited: Aug. 12, 2021) (Year: 2018).*

Kollea Cigar Whiskey Glass 15 Oz with Cigar Rest Holder [Online] URL: https://www.amazon.com/Kollea-Cigar-Glass-Built-Thanksgiving/dp/B07VN51X5R/ref=/ref=as_li_ss_il?ie=UTF8&linkCode=li3&tag=cigar44-20&linkId=4e7b46bd0ba2c3ecd6de23558356ee2e&th=1 (site visited: Aug. 12, 2021) (Year: 2019).*

Personalized Groomsmen Bullet Whiskey Glasses _ Lowball Glass [Online] URL: <https://www.groomsshop.com/products/bullet-lowball-whiskey-glass> (site visited: Aug. 12, 2021) (Year: 2019).*

Ruckus Creations Cigar Whiskey Glass with Cigar Rest Holder [Online] URL: https://www.amazon.com/Fashioned-Whiskey-Tumbler-Mounted-Holder/dp/B07V265MHS/ref=/ref=as_li_ss_il?ie=UTF8&linkCode=li3&tag=cigar44-20&linkId=4c48eadfe3bb3c1a04e43d10517e7a57 (site visited: Aug. 12, 2021) (Year: 2019).*

The Cocktail Box Co. Cigar Glass Set [Online] URL: https://www.amazon.com/dp/B07QQRDNB9/ref=as_li_ss_tl?SubscriptionId=AKIAJO7E5OLQ67NVPFZA&ascsubtag=401073340-2-1586796889.1628779381&tag=shopperz_origin3-20 (site visited: Aug. 12, 2021) (Year: 2019).*

Donut Mug—Official Bethesda Gear Store [Online] URL: <https://gear.bethesda.net/products/slocums-joe-donut-mug> (site visited: Aug. 12, 2021) (Year: 2020).*

Godinger Rocks Glass with Cigar Ashtray [Online] URL: <https://www.kegworks.com/godinger-whiskey-cigar-gift-set-includes-rocks-glass-with-cigar-ashtray/#QA> (site visited: Aug. 12, 2021) (Year: 2020).*

Lighten Life Cigar Glass—Whiskey Glass with Cigar Holder [Online] URL: https://www.amazon.com/dp/B08GR2R7WK/ref=as_li_ss_tl?SubscriptionId=AKIAJO7E5OLQ67NVPFZA&ascsubtag=499802291-2-1586796889.1628779381&tag=shopperz_origin3-20 (site visited: Aug. 12, 2021) (Year: 2020).*

* cited by examiner

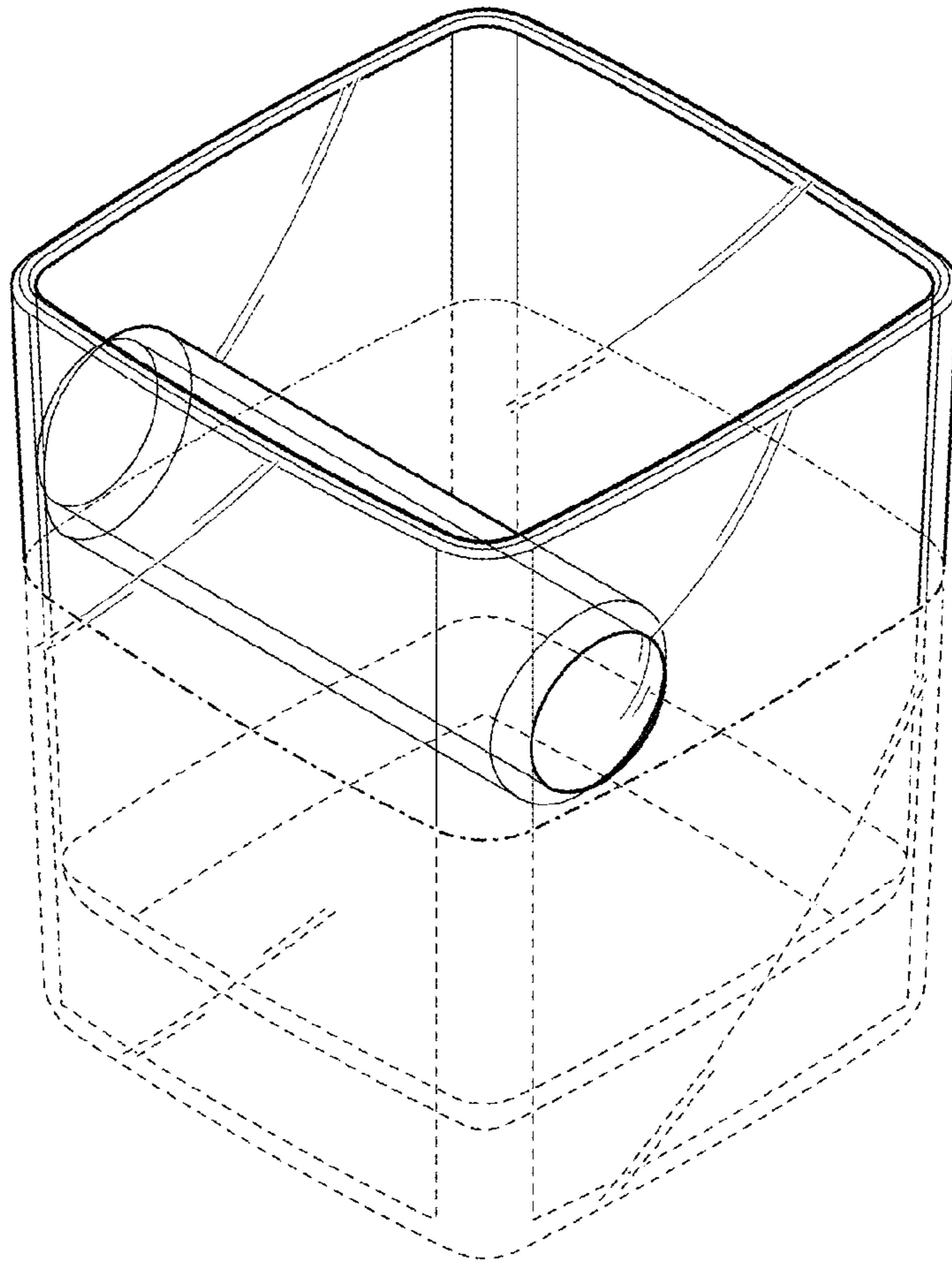


FIG. 1

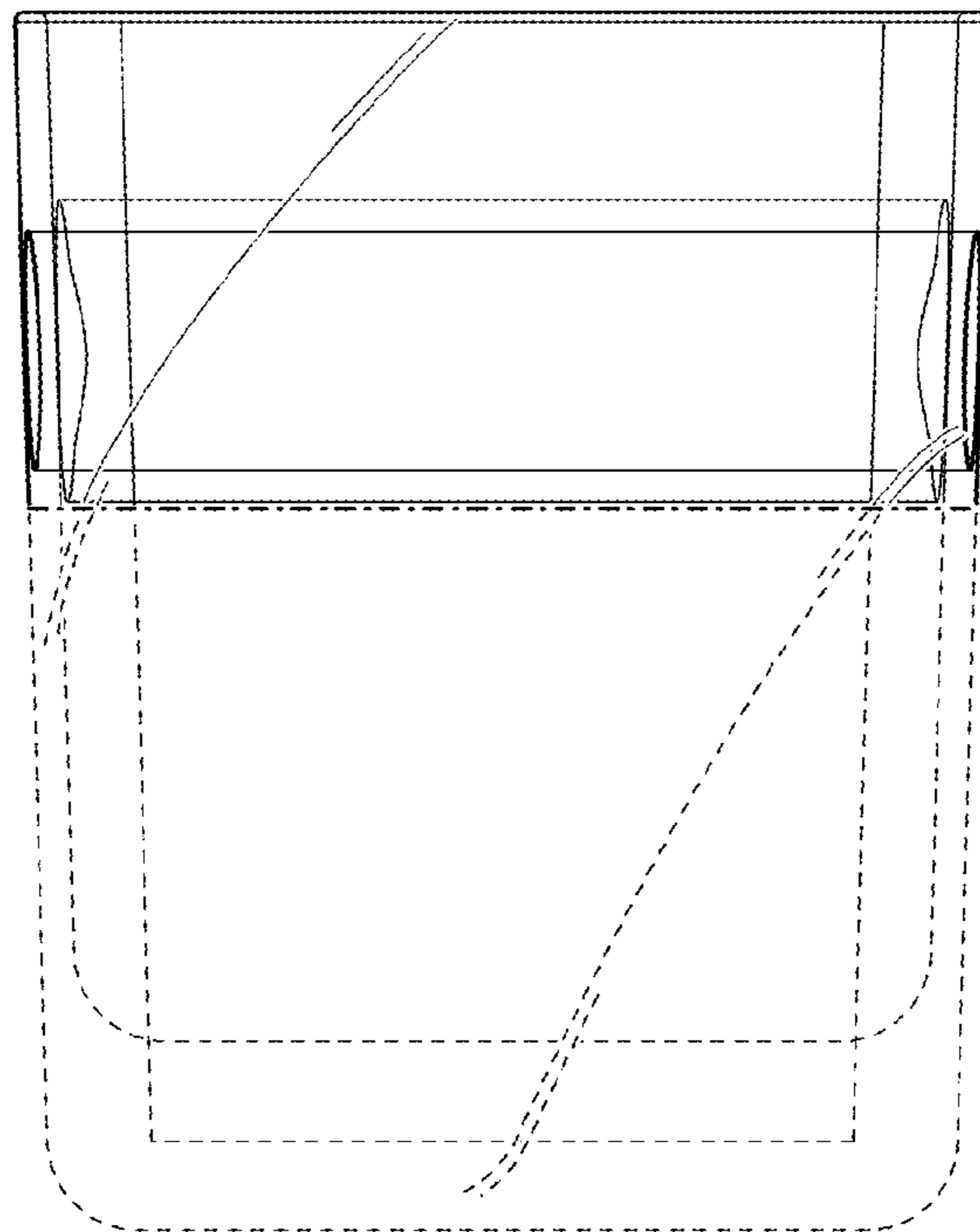


FIG. 2

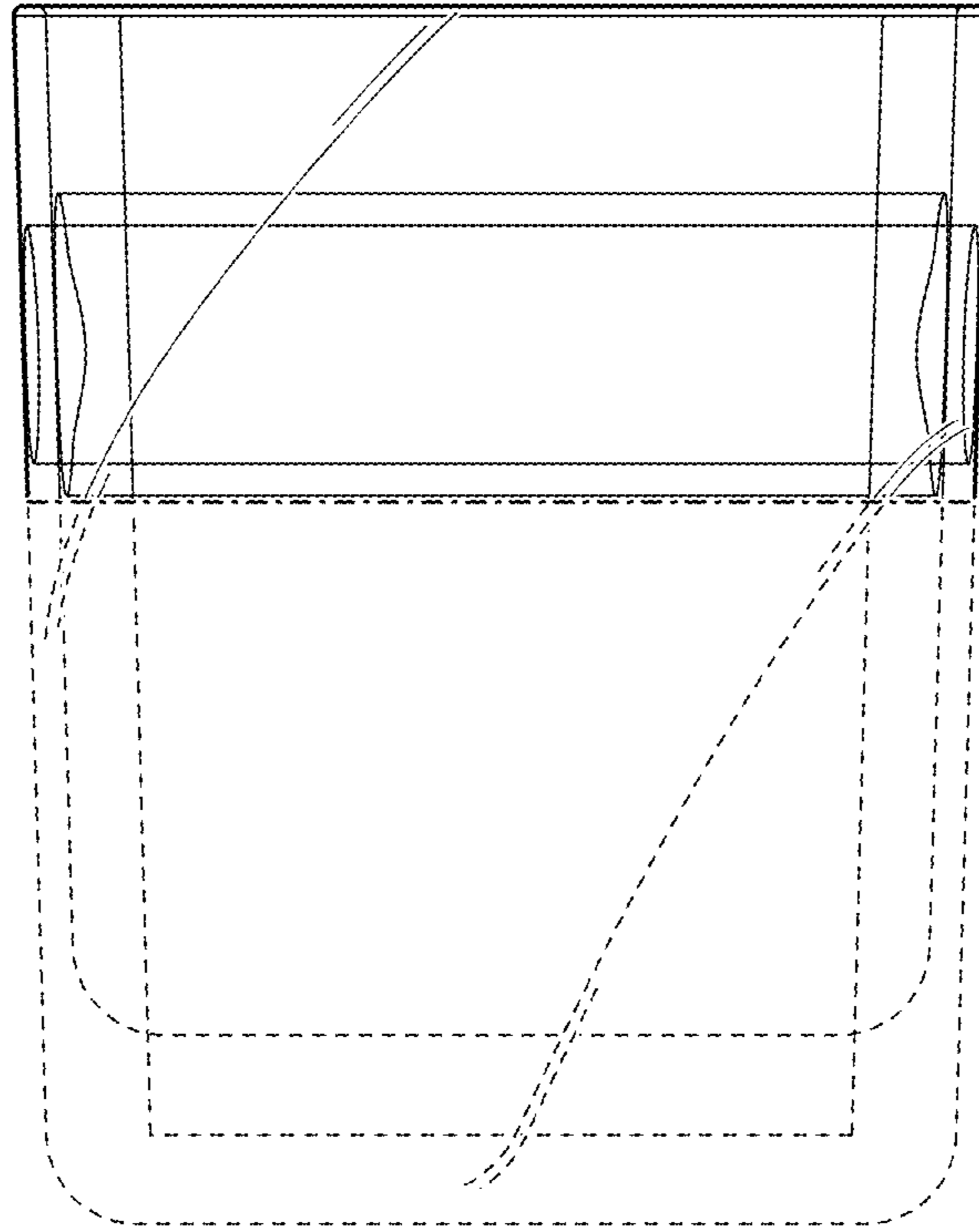


FIG. 3

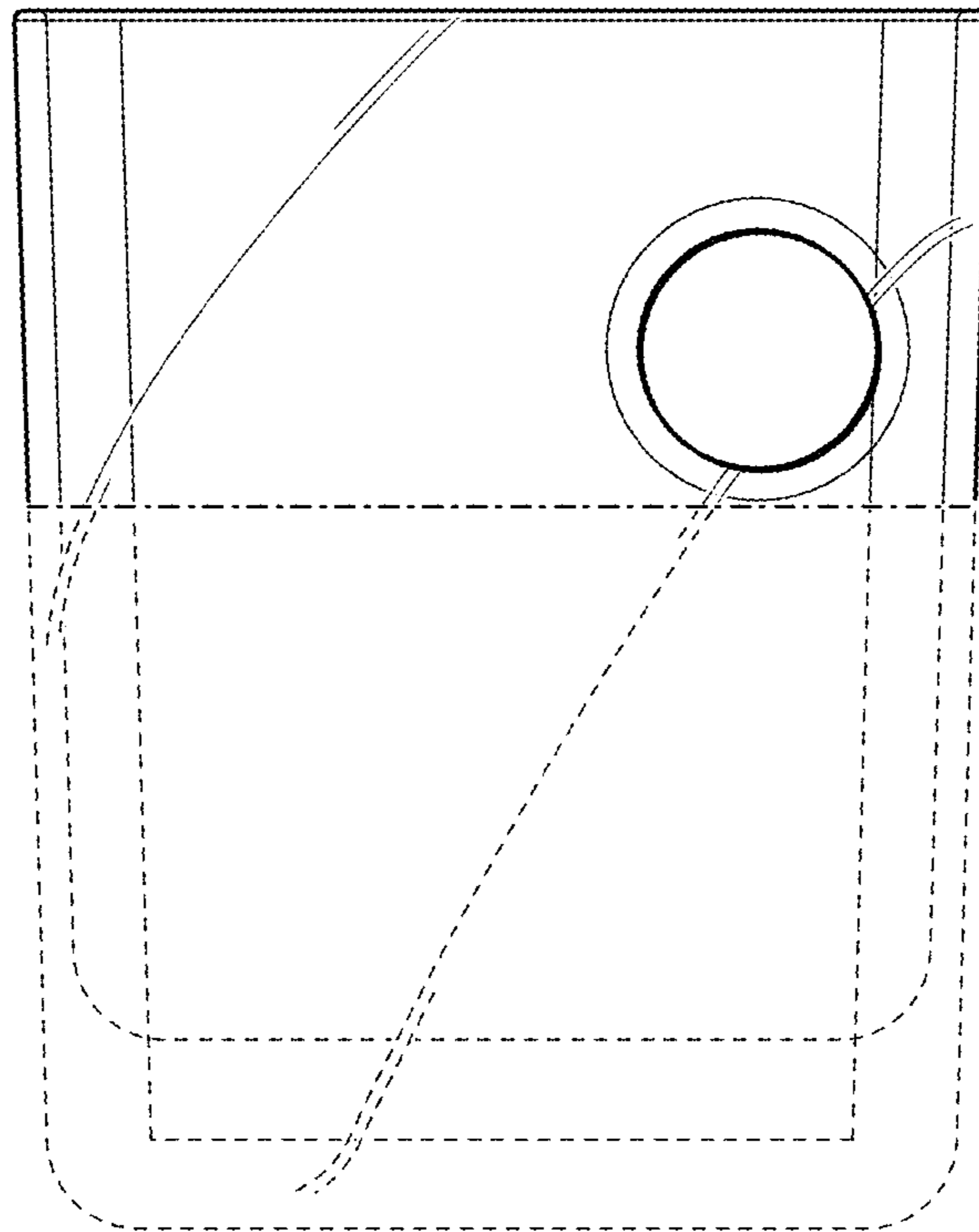


FIG. 4

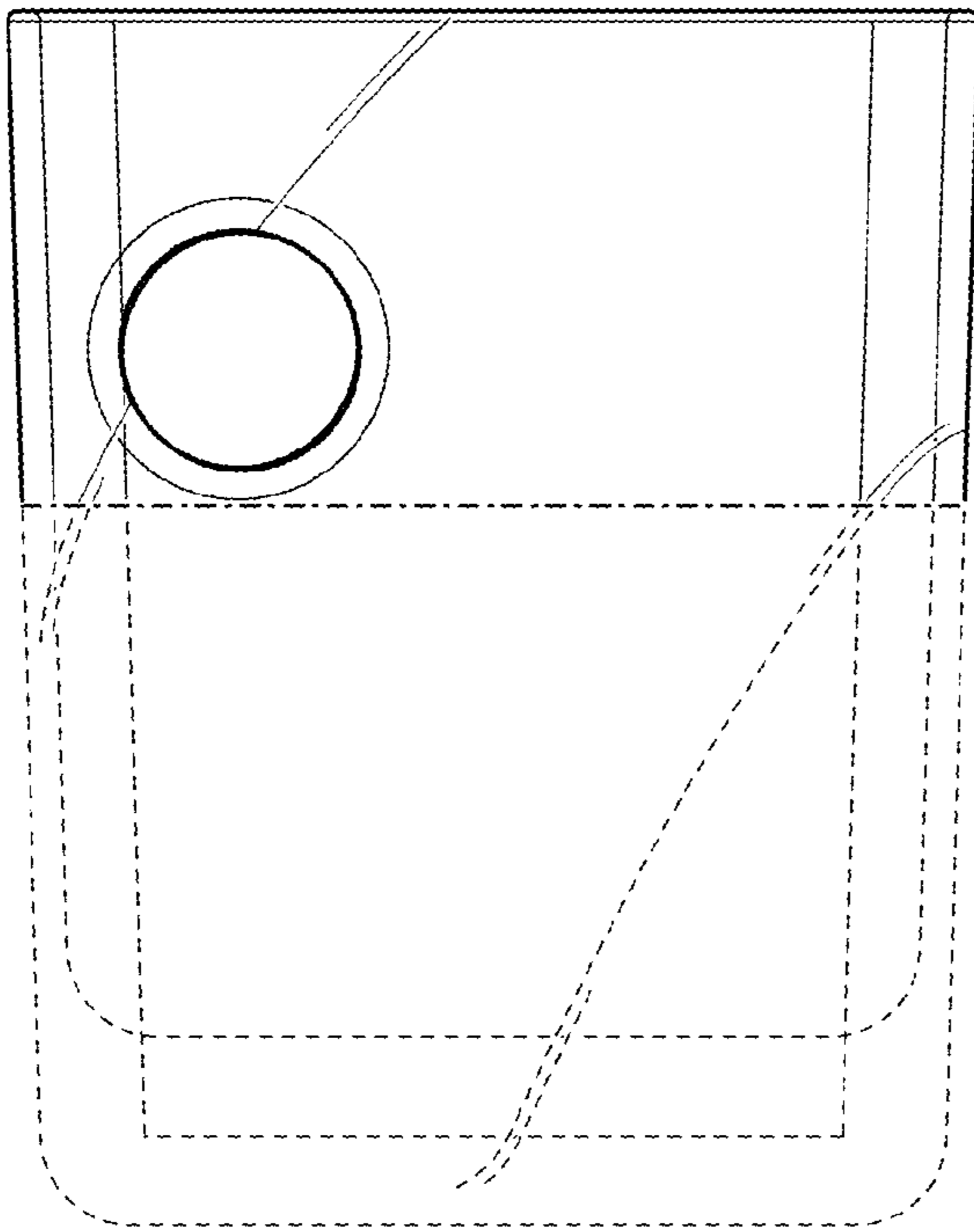


FIG. 5

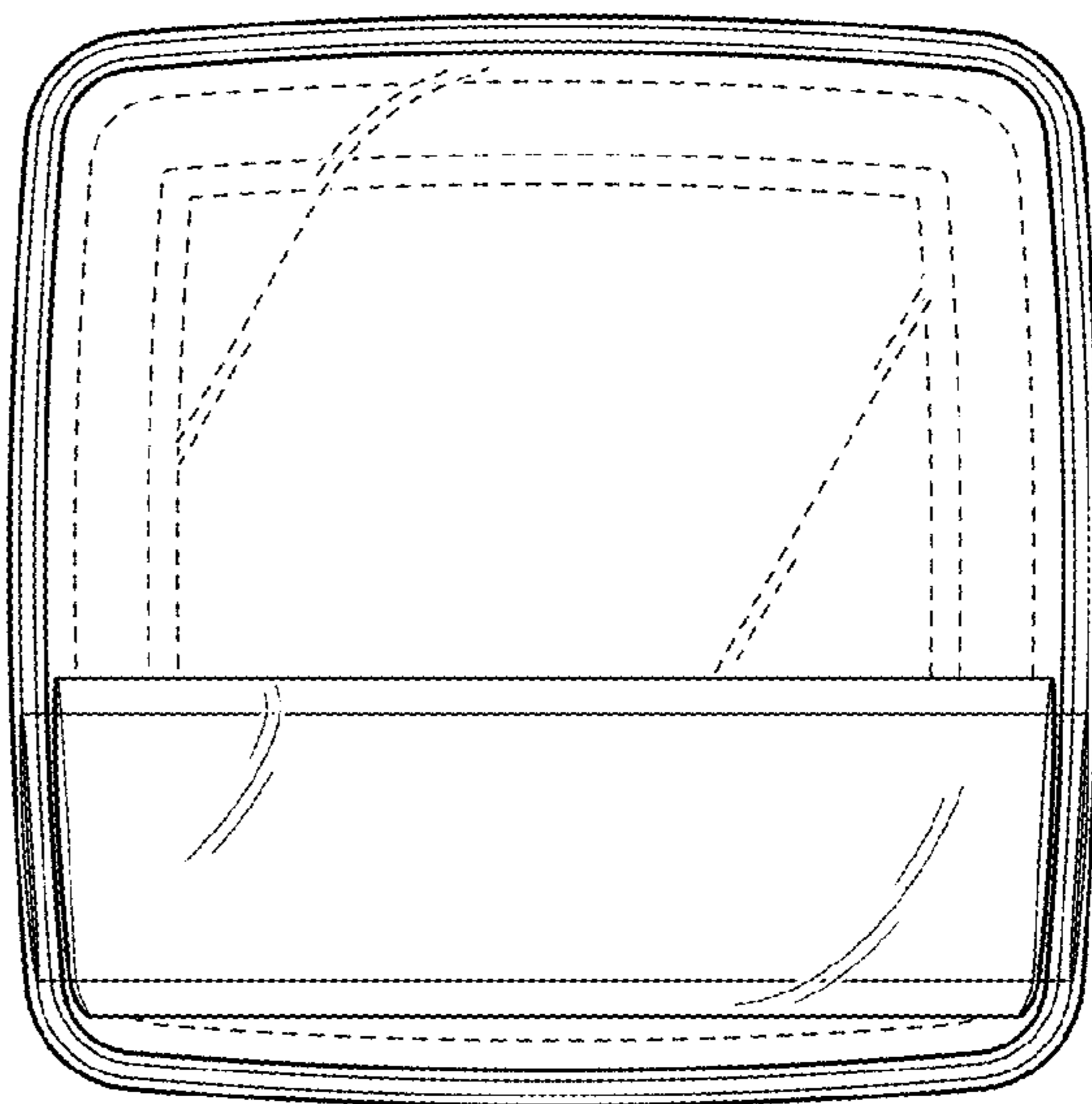


FIG. 6

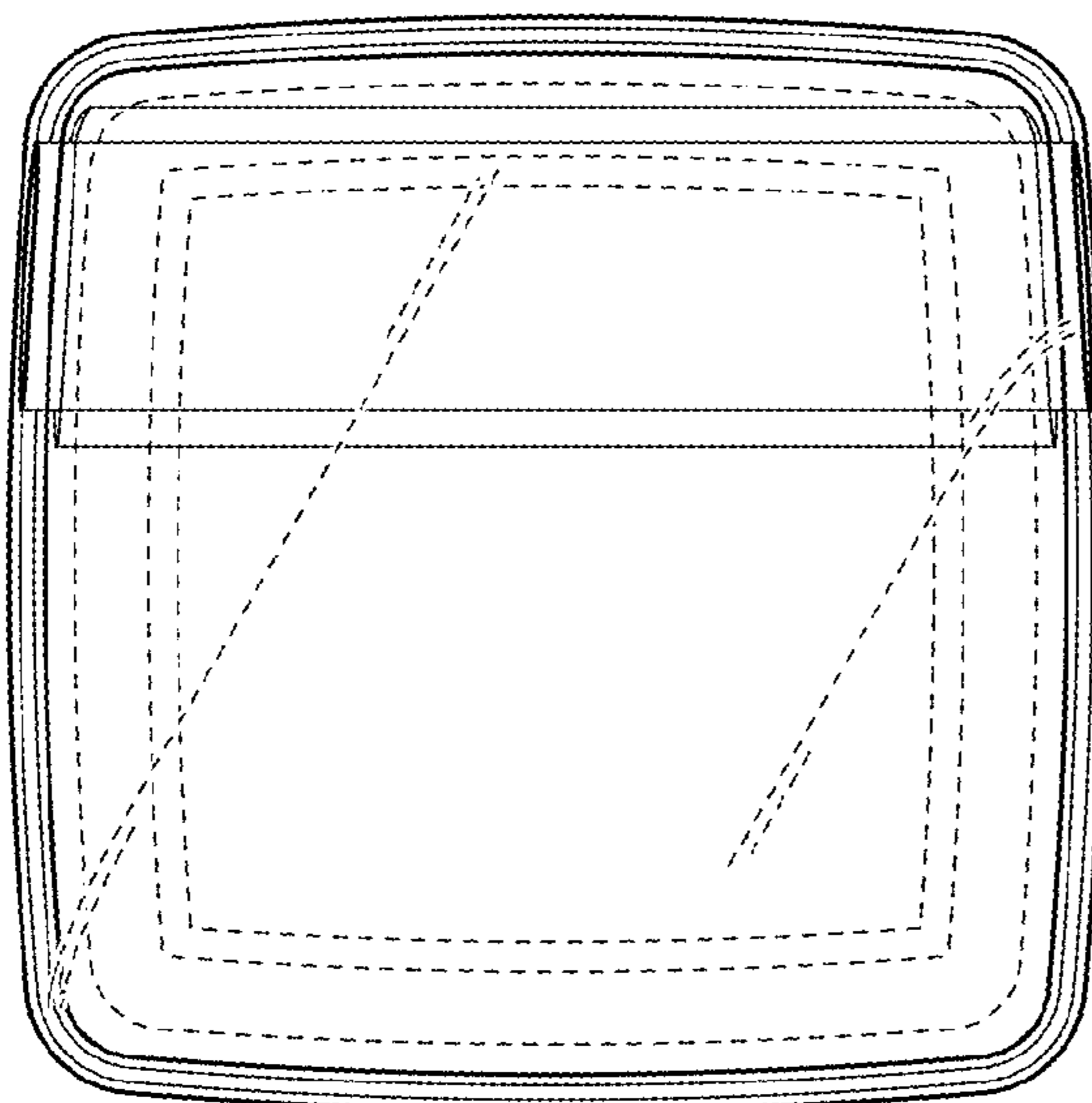


FIG. 7

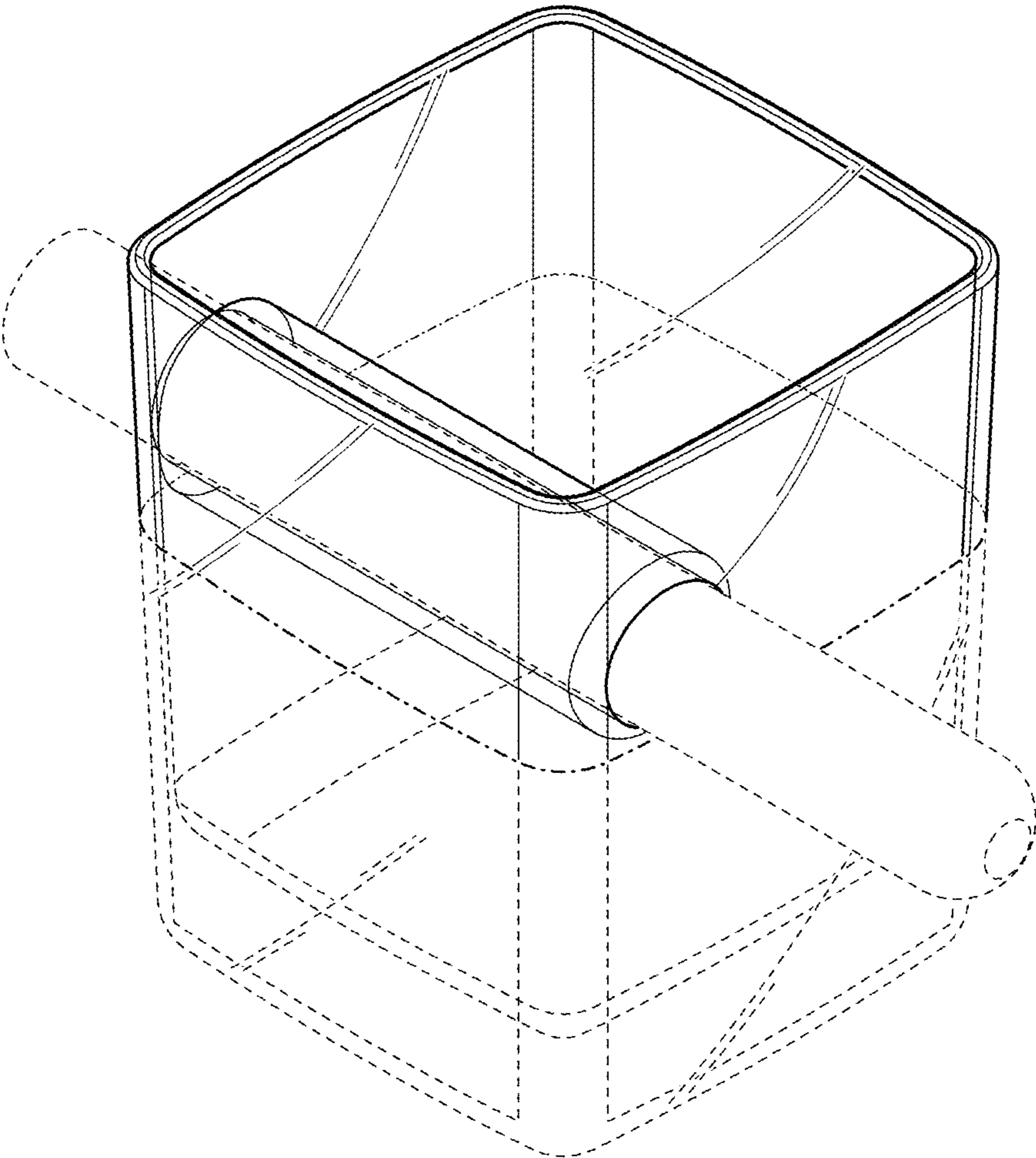


FIG. 8