



US00D938780S

(12) **United States Design Patent** (10) **Patent No.:** **US D938,780 S**
McConnell et al. (45) **Date of Patent:** **** Dec. 21, 2021**

(54) **FOOD PROCESSING ATTACHMENT**

(71) Applicant: **WHIRLPOOL CORPORATION**,
Benton Harbor, MI (US)

(72) Inventors: **John W. McConnell**, St. Joseph, MI
(US); **Wenkai Wu**, Aurora, IL (US)

(73) Assignee: **Whirlpool Corporation**, Benton
Harbor, MI (US)

(**) Term: **15 Years**

(21) Appl. No.: **29/787,442**

(22) Filed: **Jun. 7, 2021**

Related U.S. Application Data

(63) Continuation of application No. 29/763,359, filed on
Dec. 22, 2020, now Pat. No. Des. 924,629, which is
(Continued)

(51) **LOC (13) Cl.** **31-00**

(52) **U.S. Cl.**
USPC **D7/401.2**; D7/381; D7/384

(58) **Field of Classification Search**
USPC D7/372, 376–386, 401.2, 412, 665–666,
D7/669, 678–679, 693–694
CPC A01F 2015/07; A01F 2015/077; A01F
2015/0775; A23N 1/00; A23N 1/02;
A23N 7/026; A47J 19/00; A47J 19/005;
A47J 19/02; A47J 19/025; A47J 19/04;
A47J 19/06; A47J 42/32; A47J 42/34;
A47J 42/36; A47J 43/044; A47J 43/25;
A47J 43/255; A47J 17/16; B01F 7/26;
B01F 7/28; B01F 11/0082; B01F 13/04;
B02C 13/00; B02C 13/02; B02C 13/10;
B02C 18/06; B02C 18/26; B02C 18/2291;
B02C 18/30; B02C 18/301; B02C 18/302;
B02C 18/304; B02C 18/305; B02C 25/00;
B02C 2002/00; B02C 2013/00; B02C
2013/14; B02C 2013/145; B02C 2013/18;
B02C 2013/1807; B02C 2013/1857;

B02C 2013/1864; B30B 9/00; B30B 9/16;
B30B 9/18; B30B 9/20; B30B 9/26;
B30B 9/205; B30B 9/207; B26D 3/11;
B26D 3/185

See application file for complete search history.

(56) **References Cited**

U.S. PATENT DOCUMENTS

RE9,774 E 6/1881 Whittemore
242,660 A 6/1881 Law
(Continued)

Primary Examiner — Ricky Pham

(74) *Attorney, Agent, or Firm* — Price Heneveld LLP

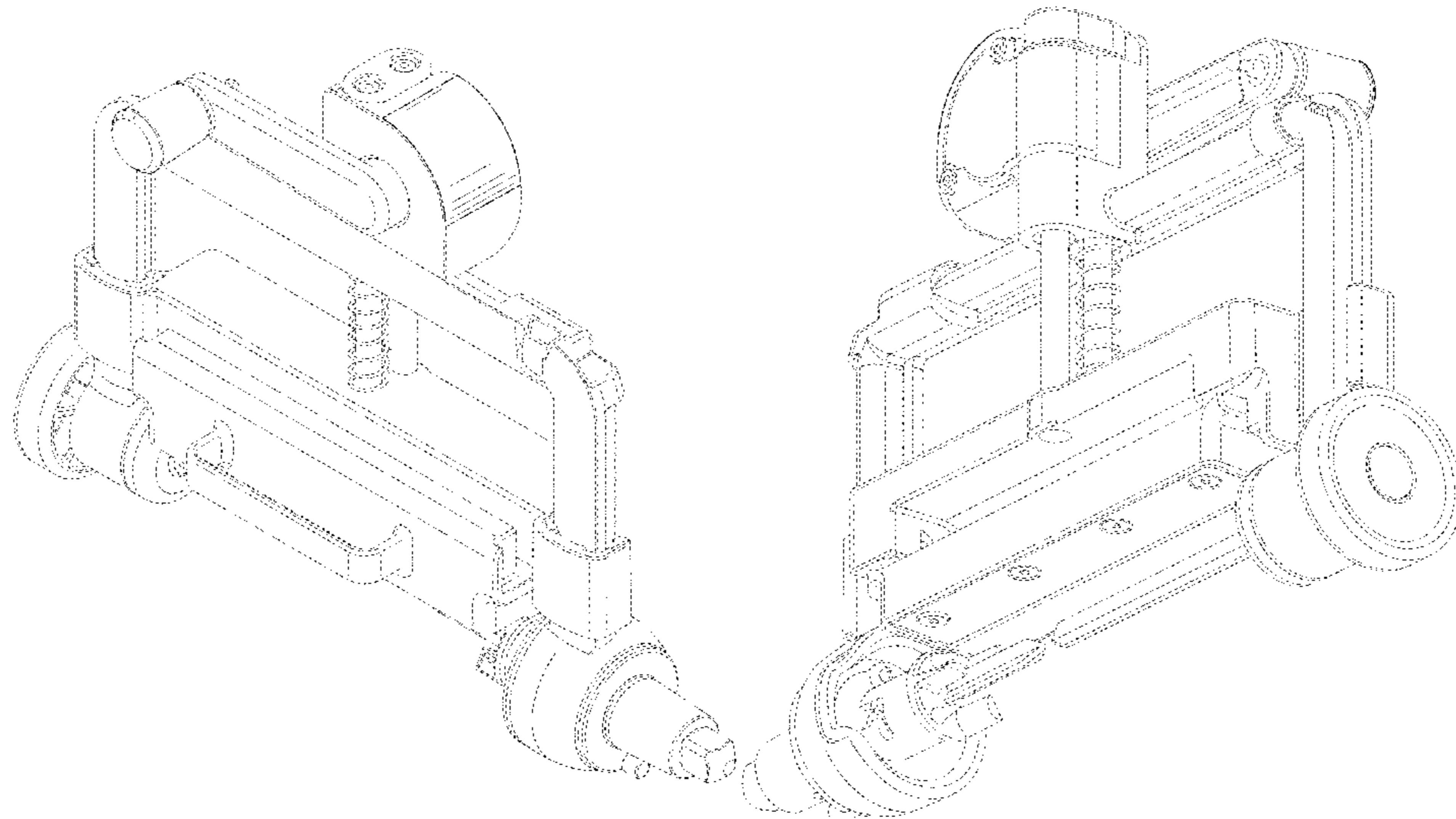
(57) **CLAIM**

We claim the ornamental design for a food processing
attachment, as shown and described.

DESCRIPTION

FIG. 1 is a top perspective view of the food processing
attachment of the present invention;
FIG. 2 is bottom perspective view of the food processing
attachment of the present invention;
FIG. 3 is a first side elevation view of the food processing
attachment of the present invention;
FIG. 4 is a second side elevation view of the food processing
attachment of the present invention;
FIG. 5 is a third side elevation view of the food processing
attachment of the present invention;
FIG. 6 is a fourth side elevation view of the food processing
attachment of the present invention;
FIG. 7 is a top plan view of the food processing attachment
of the present invention; and,
FIG. 8 is a bottom plan view of the food processing
attachment of the present invention.
The broken lines in the figures are for contextual purposes
or show the environment and form no part of the claimed
design.

1 Claim, 7 Drawing Sheets



Related U.S. Application Data

a continuation of application No. 29/754,037, filed on Oct. 6, 2020, now Pat. No. Des. 909,130, which is a continuation of application No. 29/740,104, filed on Jul. 1, 2020, now Pat. No. Des. 901,242, which is a continuation of application No. 29/713,992, filed on Nov. 20, 2019, now Pat. No. Des. 891,862, which is a continuation of application No. 29/698,967, filed on Jul. 22, 2019, now Pat. No. Des. 874,219, which is a continuation of application No. 29/663,694, filed on Sep. 18, 2018, now Pat. No. Des. 861,425, which is a continuation of application No. 29/589,335, filed on Dec. 30, 2016, now Pat. No. Des. 831,421.

3,952,621 A 4/1976 Chambos
 4,038,915 A 8/1977 Saito
 4,579,028 A 4/1986 Neidhardt
 D370,383 S 6/1996 Brefka
 5,557,998 A 9/1996 Schwartz et al.
 5,690,022 A 11/1997 Chai
 5,878,643 A 3/1999 Hwang
 5,950,528 A 9/1999 Wang
 D414,983 S 10/1999 Wong
 5,970,860 A 10/1999 Yip
 6,053,098 A 4/2000 Yamamoto
 6,148,719 A 11/2000 Poltielov
 6,314,849 B1 11/2001 Arrasmith
 6,516,713 B1 2/2003 Holmander
 6,523,464 B1 2/2003 Widelo
 6,854,383 B2* 2/2005 Wang A47J 17/16
 99/542

(56)

References Cited

U.S. PATENT DOCUMENTS

255,856 A 4/1882 Heizmann
 256,214 A 4/1882 Heizmann
 292,554 A 1/1884 Geer
 303,490 A 8/1884 Clark
 310,196 A * 1/1885 Goodell A47J 17/16
 99/598
 315,158 A 4/1885 Oaks
 319,905 A * 6/1885 Hudson A47J 17/16
 99/595
 430,139 A 6/1890 Meyer
 633,932 A 9/1899 Williamson
 954,340 A 4/1910 Phillips
 959,137 A * 5/1910 Hinchliffe A47J 17/16
 99/598
 1,008,555 A * 11/1911 Mower A47J 17/16
 99/598
 1,256,751 A * 2/1918 Wenzel A47J 17/16
 99/598
 1,511,137 A 10/1924 Pichler
 1,956,492 A 4/1934 China
 1,966,186 A 7/1934 Remnsnider
 2,056,843 A 10/1936 Erro
 2,299,092 A 10/1942 Johnson
 2,307,829 A 1/1943 Ellis
 2,361,241 A 10/1944 Rogers
 2,375,489 A 5/1945 Oskow
 2,410,683 A * 11/1946 Rios Y Marquez A47J 17/16
 99/598
 2,461,249 A * 2/1949 Anderson A23N 7/026
 99/596
 2,464,993 A 3/1949 Ross
 2,489,581 A 11/1949 Mason
 2,508,868 A * 5/1950 Ross B26D 3/11
 241/276
 2,566,568 A 9/1951 Ives
 2,693,210 A * 11/1954 Gustafson A47J 17/16
 99/545
 3,091,269 A 5/1963 Bums et al.
 3,211,202 A * 10/1965 Mason B26D 3/185
 99/592
 RE26,684 E 10/1969 Mason
 3,881,406 A 5/1975 Perez

7,032,491 B2 4/2006 Fischer
 D526,539 S 8/2006 Yip
 D531,850 S 11/2006 Wong
 D535,534 S 1/2007 Wong
 D541,368 S 4/2007 Hoffman
 7,207,510 B2 4/2007 Wong
 D558,002 S 12/2007 Meyer
 D669,324 S 10/2012 Bodum
 8,596,176 B1 12/2013 Wagner
 D715,094 S 10/2014 Cornu et al.
 D716,601 S 11/2014 Taghizadeh et al.
 D725,440 S 3/2015 Kim
 D773,894 S 12/2016 Benoit et al.
 D779,294 S 2/2017 Friedman
 D793,181 S 8/2017 Wong
 9,731,428 B2 8/2017 Levine et al.
 D796,917 S 9/2017 Wong
 D797,495 S 9/2017 McConnell et al.
 D809,881 S 2/2018 Exley
 10,021,904 B1 7/2018 Fikes
 D830,140 S 10/2018 Chen
 D831,421 S 10/2018 McConnell et al.
 10,183,409 B2 1/2019 Bagley et al.
 D842,024 S 3/2019 Li
 D858,223 S 9/2019 Feng
 D861,425 S 10/2019 McConnell et al.
 10,433,559 B2 10/2019 DeVito et al.
 D874,219 S 2/2020 McConnell et al.
 D885,822 S 6/2020 McConnell et al.
 D891,862 S 8/2020 McConnell et al.
 D901,242 S 11/2020 McConnell et al.
 D901,970 S 11/2020 Benoit et al.
 D904,104 S 12/2020 Wong
 D909,130 S 2/2021 McConnell
 D911,097 S 2/2021 Chen
 D919,365 S * 5/2021 Benoit D7/412
 D924,629 S * 7/2021 McConnell D7/401.2
 2004/0261634 A1 12/2004 Wang
 2008/0314262 A1 12/2008 Stark
 2012/0090480 A1 4/2012 Caspar et al.
 2016/0250768 A1 9/2016 Levine et al.
 2016/0255982 A1 9/2016 Benoit et al.
 2016/0257013 A1 9/2016 Exley
 2016/0332166 A1 11/2016 Chen
 2017/0136644 A1 5/2017 Bagley et al.

* cited by examiner

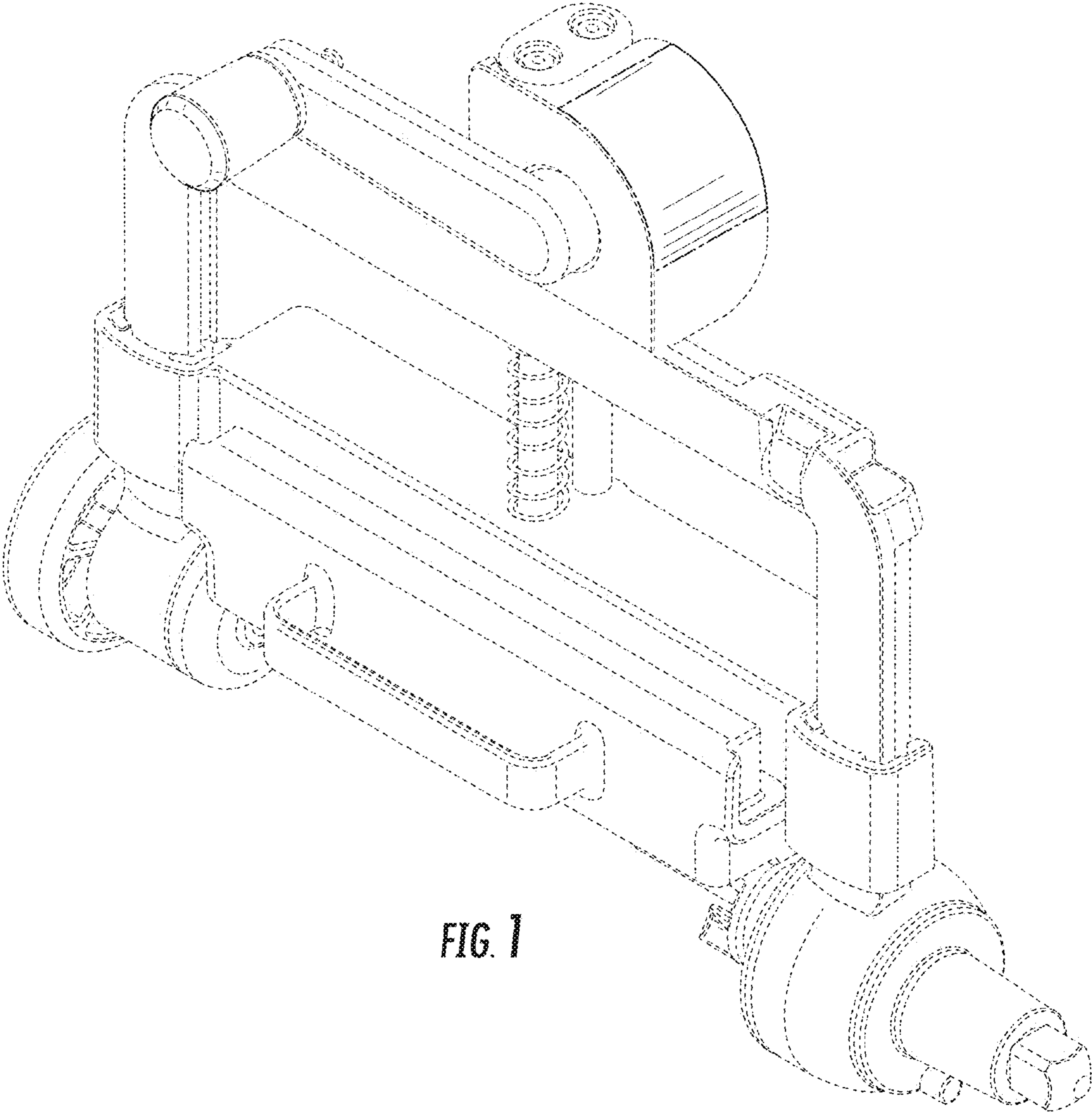
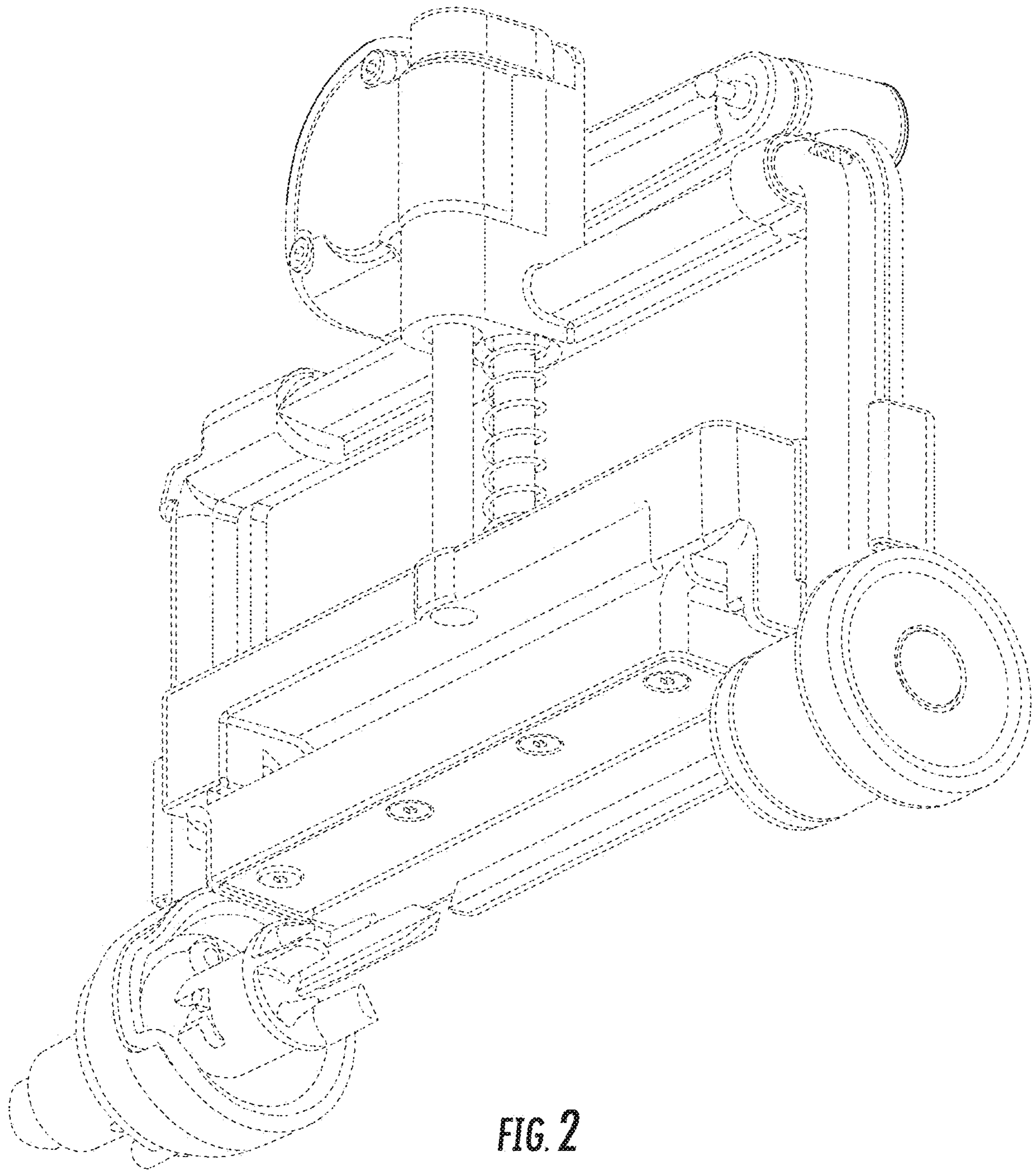


FIG. 1



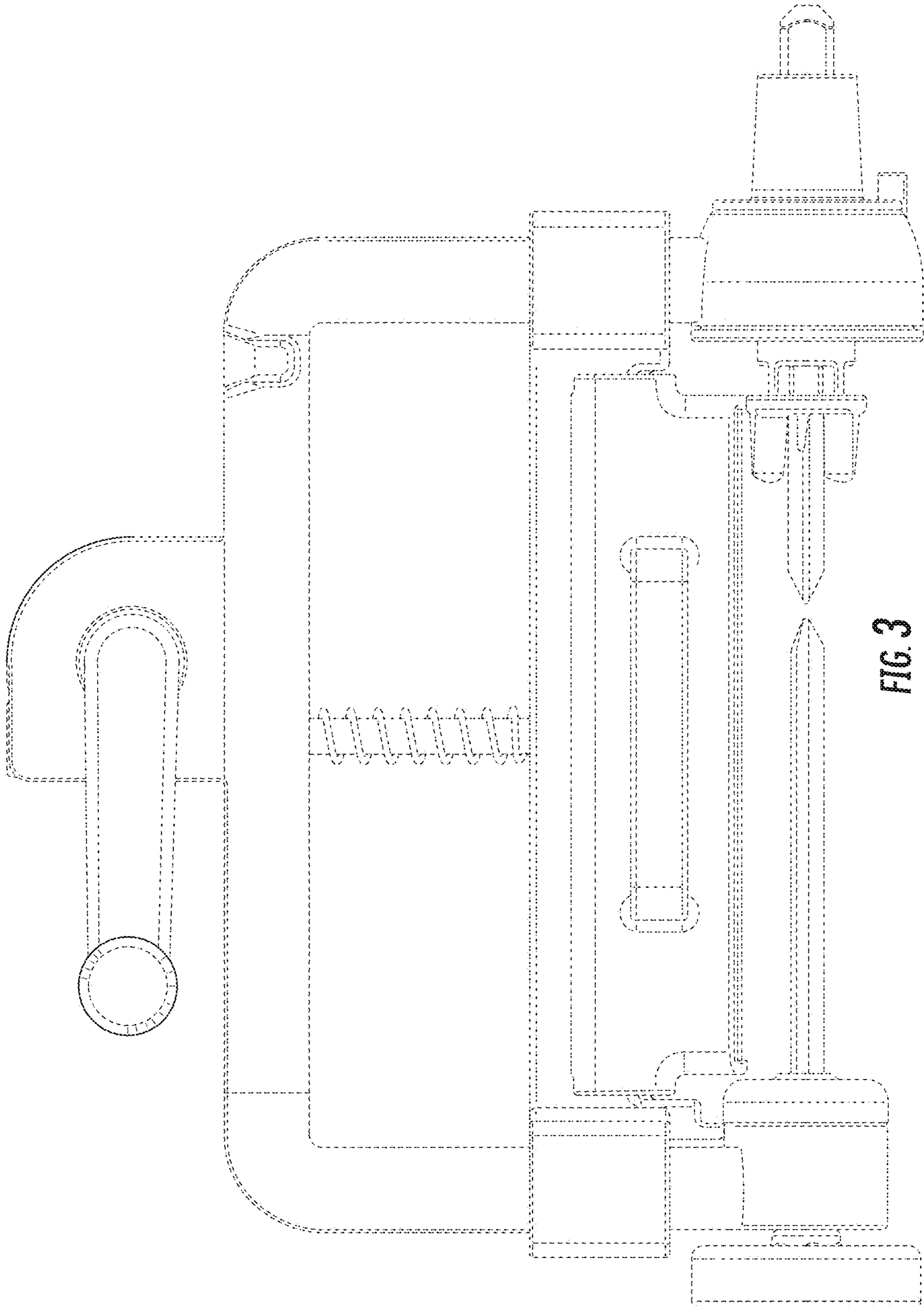


FIG. 3

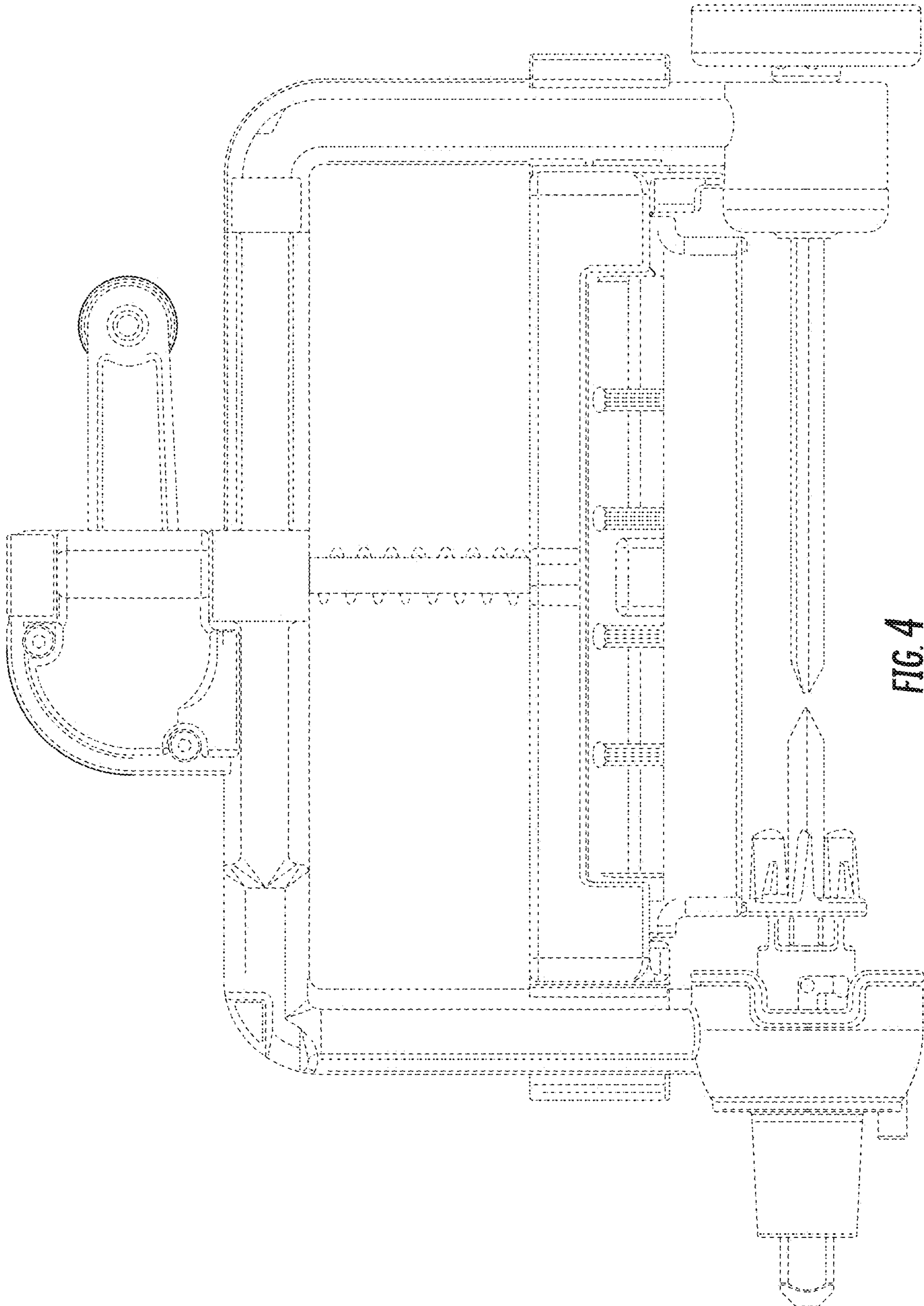


FIG. 4

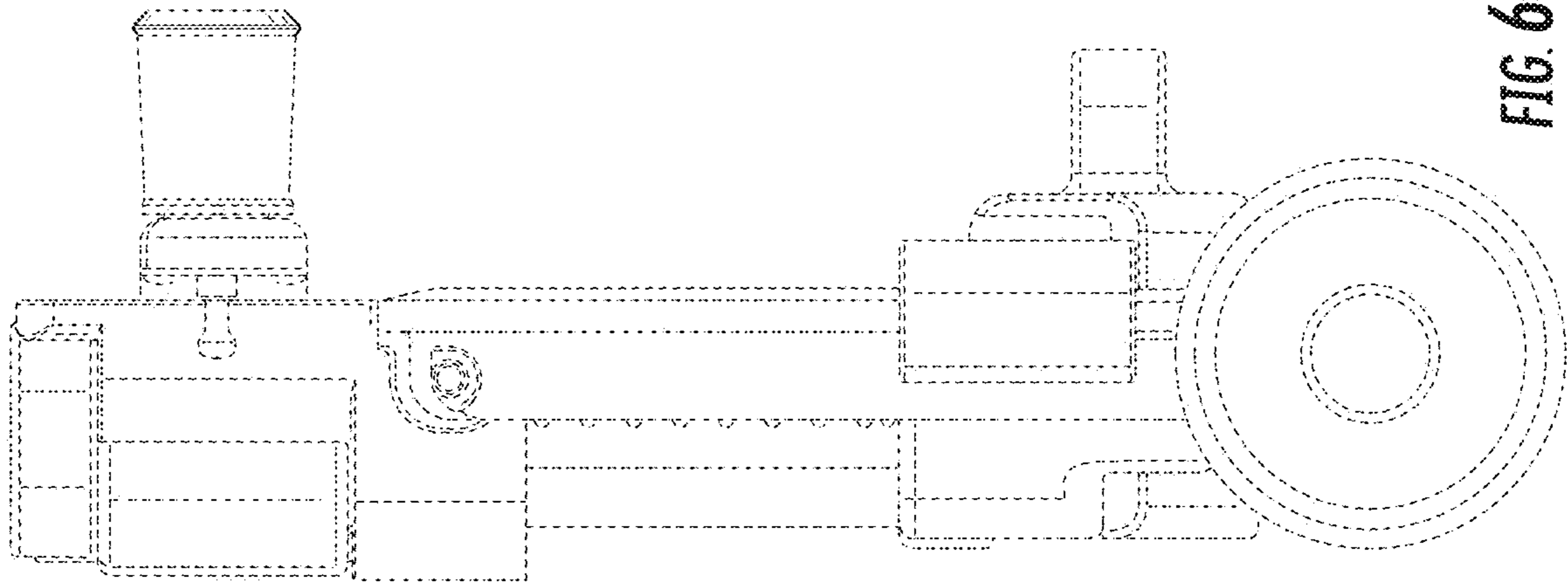


FIG. 6

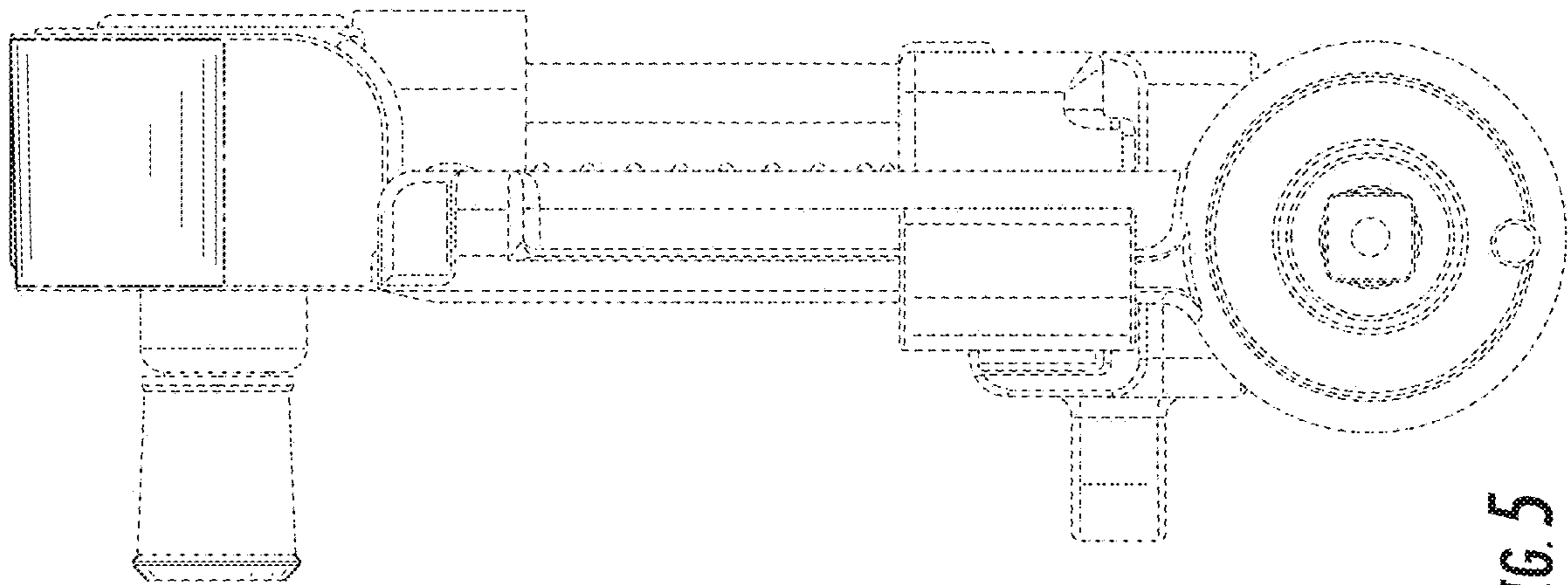


FIG. 5

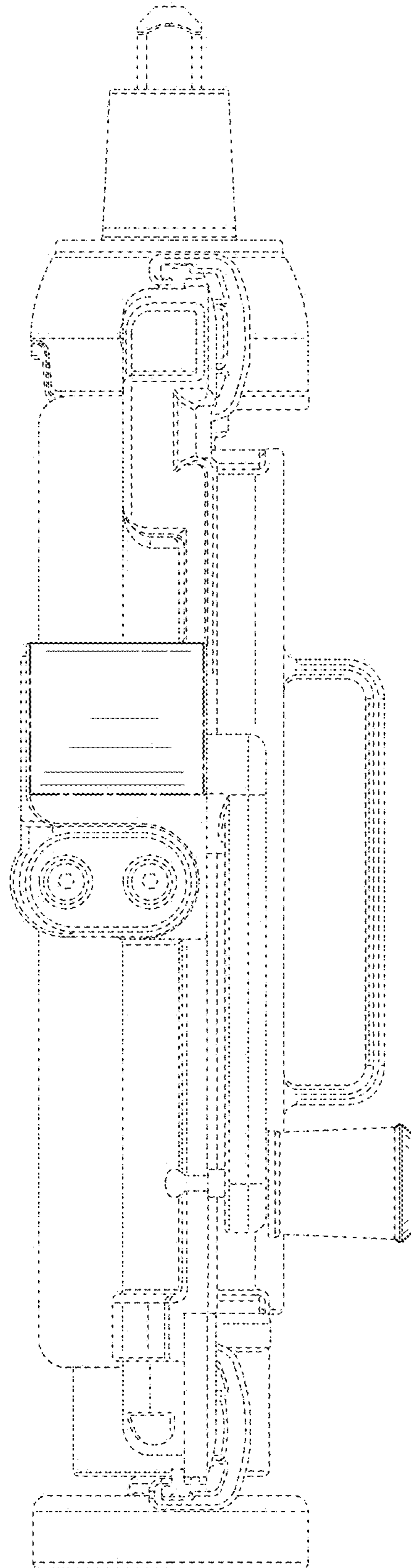


FIG. 7

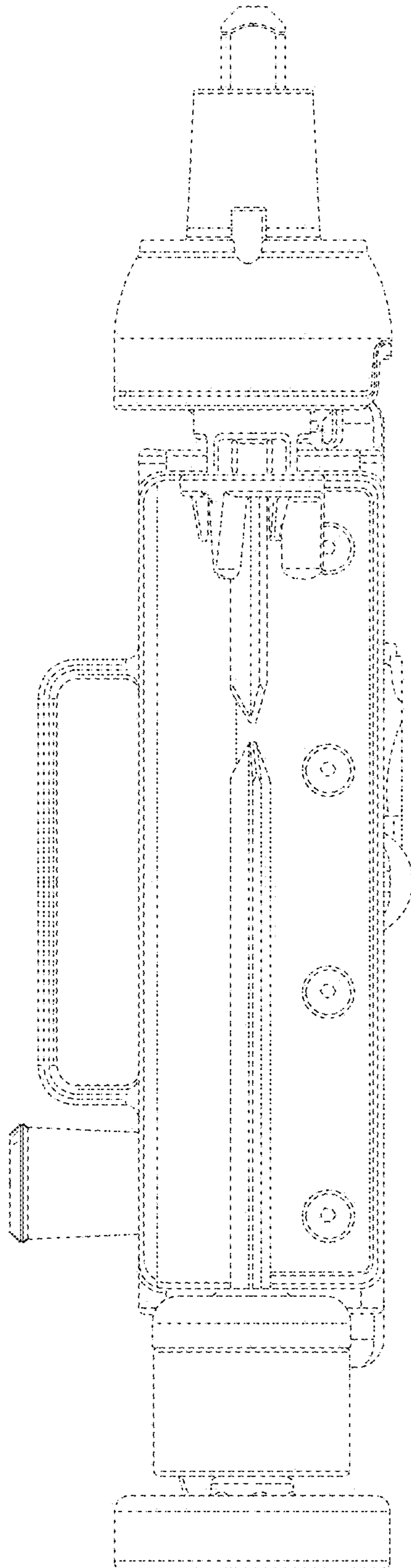


FIG. 8