



US00D938777S

(12) **United States Design Patent** (10) **Patent No.:** **US D938,777 S**  
**Gilmore, III et al.** (45) **Date of Patent:** **\*\* Dec. 21, 2021**

(54) **BEVERAGE CONTAINER LID**  
(71) Applicant: **Leapfrog Product Development LLC**,  
Chicago, IL (US)  
(72) Inventors: **Glen C. Gilmore, III**, Naperville, IL  
(US); **Steven N. Pinelli**, Ogden Dunes,  
IN (US); **Micaela K. McCabe**,  
Chicago, IL (US); **Brian M. Clemens**,  
Burnsville, MN (US); **Richard E.**  
**Ellison**, Chicago, IL (US); **Kurtis M.**  
**Sward**, Anna Maria, FL (US)  
(73) Assignee: **Leapfrog Product Development LLC**,  
Chicago, IL (US)

(\*\*) Term: **15 Years**

(21) Appl. No.: **29/692,812**

(22) Filed: **May 29, 2019**

(51) **LOC (13) Cl.** ..... **07-01**

(52) **U.S. Cl.**  
USPC ..... **D7/392.1**

(58) **Field of Classification Search**  
USPC ..... D7/391, 392, 392.1, 396.1, 396.2, 397,  
D7/509, 510, 543, 629; D9/435, 443,  
D9/447, 449, 516  
CPC ..... B65D 47/066; B65D 47/305  
See application file for complete search history.

(56) **References Cited**

**U.S. PATENT DOCUMENTS**

D364,810 S	12/1995	Meisner	
5,884,793 A *	3/1999	Wang	..... B65D 47/066 215/229
D471,455 S	3/2003	Laveault et al.	
D485,132 S	1/2004	Ohno et al.	
D505,294 S	5/2005	Gauss	
D508,185 S	8/2005	Gauss	
D515,357 S	2/2006	Ward et al.	
D528,862 S	9/2006	Li	

D533,061 S	12/2006	Li
D564,841 S	3/2008	Clemens et al.
D579,722 S	11/2008	Sakulsacha et al.
D581,727 S	12/2008	Pinelli et al.
D592,456 S	5/2009	Pinelli et al.
D592,905 S	5/2009	Pinelli et al.
D592,913 S	5/2009	Pinelli et al.

(Continued)

**OTHER PUBLICATIONS**

“Clear2Go Water Bottle with Filter”. Found online Feb. 13, 2020 at  
allfilters.com. Reference dated Apr. 27, 2011. Retrieved from https://  
www.allfilters.com/filteredwaterbottles/purifiers/clear2go-bottle.\*

(Continued)

*Primary Examiner* — Kendra Leslie Hamilton

(74) *Attorney, Agent, or Firm* — Barnes & Thornburg  
LLP

(57) **CLAIM**

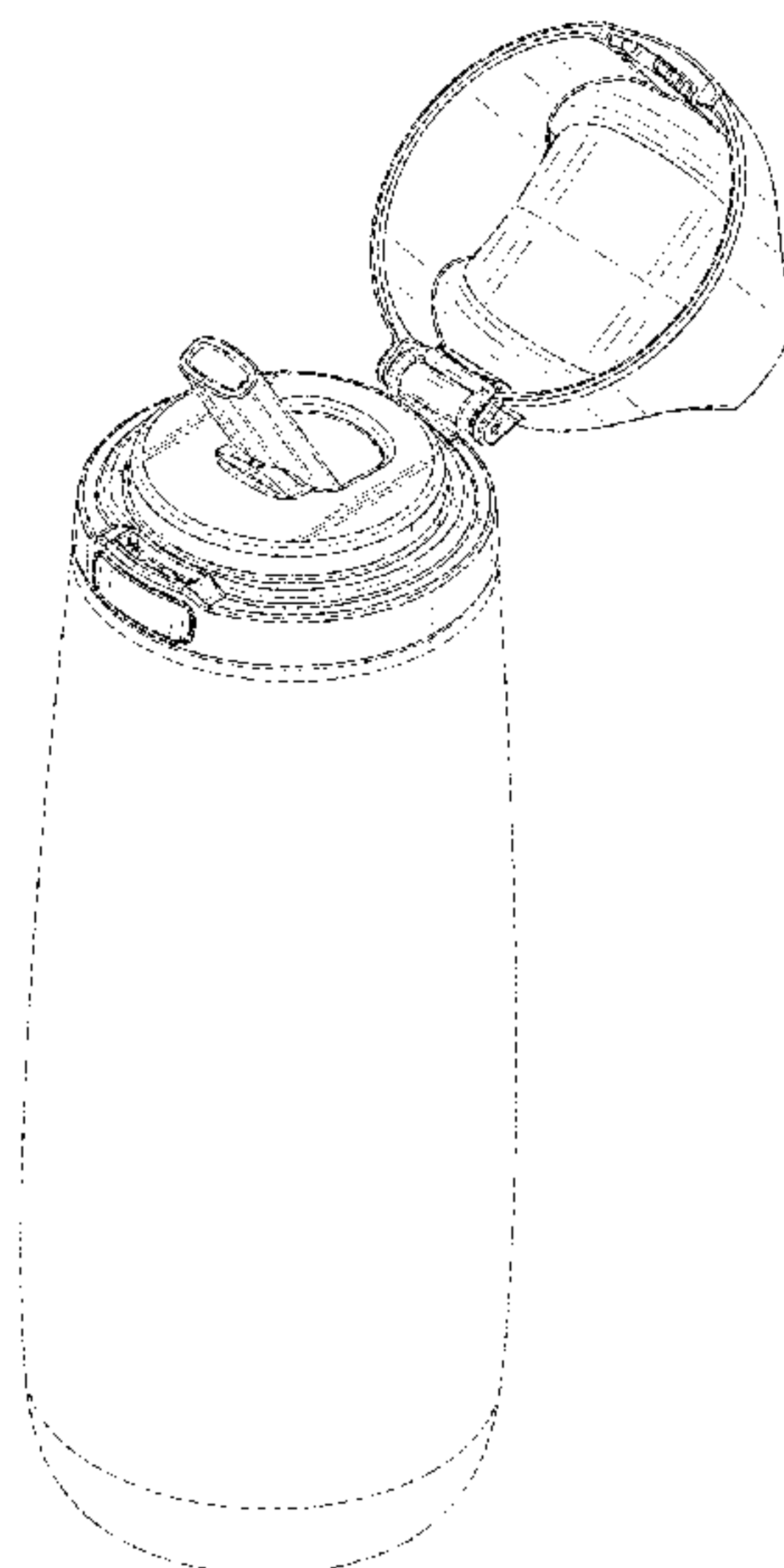
We claim the ornamental design for a beverage container lid,  
as shown and described.

**DESCRIPTION**

FIG. 1 is a top, front, right perspective view of a beverage  
container lid, showing our new design in a condition for use;  
FIG. 2 is a bottom, rear, right perspective view thereof;  
FIG. 3 is a front elevation view thereof;  
FIG. 4 is a rear elevation view thereof;  
FIG. 5 is a left side elevation view thereof;  
FIG. 6 is a right side elevation view thereof;  
FIG. 7 is a top plan view thereof; and,  
FIG. 8 is a bottom plan view thereof.

In the drawings, the equal-length broken lines on the bev-  
erage container depict portions of the beverage container lid  
that form no part of the claimed design. The equal-length  
broken lines showing a related beverage container depict  
environmental structure and also form no part of the claimed  
design.

**1 Claim, 8 Drawing Sheets**



(56)

References Cited

U.S. PATENT DOCUMENTS

7,546,933 B2 6/2009 Pinelli  
 D609,964 S 2/2010 Lane  
 D643,249 S 8/2011 Miller et al.  
 7,997,442 B2 8/2011 Pinelli  
 D655,580 S 3/2012 Kotani  
 D656,787 S 4/2012 Phillips et al.  
 D661,945 S 6/2012 Eyal  
 D675,060 S 1/2013 Lane  
 8,360,267 B1 1/2013 Chiou et al.  
 D683,581 S \* 6/2013 Archer ..... D7/392.1  
 D686,871 S 7/2013 Lane  
 D693,629 S 11/2013 Miller  
 D693,630 S 11/2013 Hurley et al.  
 8,579,133 B2 11/2013 Marcus et al.  
 8,590,731 B2 11/2013 Pinelli  
 D700,012 S 2/2014 Hurley et al.  
 D700,802 S 3/2014 Miller  
 8,978,906 B2 3/2015 Feeley et al.  
 D725,966 S 4/2015 Boroski et al.  
 D739,183 S 9/2015 Lane  
 9,266,643 B2 2/2016 Marcus et al.  
 D758,189 S 6/2016 Roth et al.  
 D758,790 S 6/2016 Boroski  
 D780,578 S 3/2017 Lane et al.  
 D785,402 S 5/2017 Shirley et al.  
 D793,154 S \* 8/2017 Sorensen ..... D7/392.1  
 D793,804 S 8/2017 Herbst et al.  
 D794,453 S 8/2017 Boroski et al.  
 D795,011 S 8/2017 Pisarevsky  
 D799,898 S 10/2017 Yao  
 D802,993 S 11/2017 Joseph et al.  
 D804,903 S 12/2017 Mason et al.  
 D804,904 S 12/2017 Noveletsky et al.  
 D808,220 S 1/2018 Burns et al.  
 D809,384 S 2/2018 Best et al.  
 D811,162 S \* 2/2018 Rane ..... D7/396.2  
 D814,398 S 4/2018 Yasunaga  
 D817,713 S 5/2018 Lin  
 D818,767 S 5/2018 Nezu  
 D820,637 S \* 6/2018 Davis ..... D7/392.1  
 D821,136 S 6/2018 Silsby et al.  
 D821,137 S 6/2018 Boroski  
 D821,815 S 7/2018 Chung  
 D822,427 S 7/2018 Sorensen et al.  
 D831,425 S 10/2018 Best et al.  
 D831,433 S 10/2018 Fleischhut  
 D835,939 S 12/2018 Yee et al.  
 D839,044 S 1/2019 Potter et al.  
 D848,787 S 5/2019 Tatsukawa et al.  
 D853,181 S 7/2019 Stanton  
 D853,784 S 7/2019 Wu  
 D855,388 S \* 8/2019 Potter ..... D7/392.1  
 D857,445 S \* 8/2019 Keung ..... D7/392.1  
 D865,457 S 11/2019 Kotani  
 D869,230 S 12/2019 Hao  
 D870,508 S \* 12/2019 Palkon ..... D7/392.1  
 D870,509 S 12/2019 Bo  
 2004/0069783 A1 \* 4/2004 Chen ..... A47G 19/2266  
 220/254.3  
 2010/0170902 A1 \* 7/2010 Britto ..... B65D 47/066  
 220/367.1  
 2011/0089059 A1 4/2011 Lane et al.  
 2012/0305559 A1 \* 12/2012 Steininger ..... B65D 51/1672  
 220/253  
 2012/0312832 A1 12/2012 Lane  
 2014/0175098 A1 \* 6/2014 Lane ..... A45F 3/16  
 220/212.5  
 2014/0339177 A1 11/2014 Lane  
 2015/0173539 A1 \* 6/2015 Mason ..... B65D 47/063  
 220/707

2015/0282654 A1 10/2015 Kurabe et al.  
 2017/0297785 A1 10/2017 Maruyama et al.

OTHER PUBLICATIONS

“GoBottle Double Wall Pick-a-Side”. Found online Feb. 19, 2020 at amazon.com. Reference dated Dec. 15, 2017. Retrieved from [https://www.amazon.com/GoBottle-40248-Double-System-Bottle/dp/B078G1QWL7/ref=sr\\_1\\_31?keywords=gobottle&qid=1582156178&sr=8-31.\\*](https://www.amazon.com/GoBottle-40248-Double-System-Bottle/dp/B078G1QWL7/ref=sr_1_31?keywords=gobottle&qid=1582156178&sr=8-31.*)  
 “Klean Kanteen Wide Mouth Water Bottle with Loop Cap”. Found online Oct. 12, 2016 at amazon.com. Reference dated Dec. 5, 2009. Retrieved from [https://www.amazon.com/Klean-Kanteen-Mouth-Water-Bottle/dp/B002VIZ6IU/ref=cm\\_cr\\_ar\\_p\\_d\\_product\\_top?ie=UTF8.\\*](https://www.amazon.com/Klean-Kanteen-Mouth-Water-Bottle/dp/B002VIZ6IU/ref=cm_cr_ar_p_d_product_top?ie=UTF8.*)  
<https://www.zuluathletic.com/shop-all/atlas-glass-water-bottle>.  
<https://waterbottles.com/kor-vida-bottle-25-oz>.  
<https://www.thermos.com/genuine-thermos-brand-hydration-bottle-with-rotating-intake-meter-24oz.html>.  
<https://www.thermos.com/genuine-thermos-brand-shaker-bottle-with-integrated-mixer-24oz-clear-green-accent.html>.  
<https://www.tervis.com/turtle-sunset-stainless-steel-24oz-stainless-water-bottle-1362572.html>.  
<https://www.swell.com/shop/swell/bottles/>.  
<http://www.pogogear.com/32oz-tritan-straw>.  
<http://www.pogogear.com/32oz-tritan-chug>.  
<http://www.pogogear.com/18oz-tritan-chug>.  
<https://www.elloproducts.com/water-bottles/chi-24oz-plastic-water-bottle>.  
<https://www.elloproducts.com/kids/dash-16oz-tritan-plastic-water-bottle>.  
<https://www.elloproducts.com/tumblers/cru-stemless-wine-glass-set-with-silicone-protection>.  
 Aladdin Water Bottle (1 page).  
<https://www.elloproducts.com/water-bottles/elsie-22oz-glass-water-bottle>.  
<https://www.elloproducts.com/tumblers/beacon-24oz-vacuum-insulated-stainless-tumbler>.  
<https://www.elloproducts.com/kids/rise-12oz-vacuum-insulated-stainless-steel-tumbler>.  
<https://www.elloproducts.com/travel-mugs/hammertime-18oz-vacuum-insulated-stainless-steel-travel-mug>.  
<https://www.elloproducts.com/water-bottles/pure-20oz-glass-water-bottle>.  
<https://www.elloproducts.com/kids/max-12oz-vacuum-insulated-stainless-steel-kids-water-bottle>.  
<https://www.elloproducts.com/water-bottles/syndicate-20oz-glass-water-bottle>.  
 Mason Glass Jar (1 page).  
[https://www.camelbak.com/en/bottles/R02056-Eddy\\_75L\\_2019?color=6bbd0584f3a64b0eb30d406f7e03797e](https://www.camelbak.com/en/bottles/R02056-Eddy_75L_2019?color=6bbd0584f3a64b0eb30d406f7e03797e).  
<https://www.gocontigo.com/20-oz-autoseal-west-loop-stainless-travel-mug-with-easy-clean-lid.html>.  
<https://www.gocontigo.com/14-oz-autospout-striker-kids-water-bottle.html>.  
<https://www.zojirushi.com/app/product/smyae>.  
<https://www.zojirushi.com/app/product/smkc>.  
<https://www.zojirushi.com/app/product/sjjs>.  
<https://www.zojirushi.com/app/product/smqhe>.  
<https://www.zojirushi.com/app/product/smtae>.  
<https://www.zojirushi.com/app/product/smta>.  
<https://www.zojirushi.com/app/product/smse>.  
<https://www.zojirushi.com/app/product/smsd>.  
<https://www.zojirushi.com/app/product/smshe>.  
<https://www.zojirushi.com/app/product/smkhe>.  
<https://www.zojirushi.com/app/product/smsc>.  
<https://www.zojirushi.com/app/product/smpc>.  
<https://www.zojirushi.com/app/product/smpb>.  
<https://www.pinterest.ru/pin/12666442685646757/>.  
[https://www.coleman.com/all-camp-kitchen/drinkware/switch-ss/col\\_2038485\\_pr/COL\\_2038485](https://www.coleman.com/all-camp-kitchen/drinkware/switch-ss/col_2038485_pr/COL_2038485).



(56)

**References Cited**

## OTHER PUBLICATIONS

<https://corkcicle.com/products/classic-arctican?variant=475182759951>.

ELLO Reflex Beverage Container (1 page).

Zulu, "Atlas 20 oz Glass Water Bottle," accessed on-line at: <https://www.zuluathletic.com/shop-all/atlas-glass-water-bottle> (available at least as early as May 29, 2019).

Kor, "Vida Bottle—25oz," accessed on-line at: <https://waterbottles.com/kor-vida-bottle-25-oz> (available at least as early as May 29, 2019).

Thermos, "Hydration Bottle with Rotating Intake Meter, 24oz," accessed on-line at: <https://www.thermos.com/genuine-thermos-brand-hydration-bottle-with-rotating-intake-meter-24oz.html> (available at least as early as May 29, 2019).

Thermos, "Shaker Bottle with Integrated Mixer, 24oz," accessed on-line at: <https://www.thermos.com/genuine-thermos-brand-shaker-bottle-with-integrated-mixer-24oz-clear-green-accent.html> (available at least as early as May 29, 2019).

Tervis, "Custom Water Bottle," accessed on-line at: <https://www.tervis.com/turtle-sunset-stainless-steel-24oz-stainless-water-bottle-1362572.html> (available at least as early as May 29, 2019).

Swell, "Bottles," accessed on-line at: <https://www.swell.com/shop/swell/bottles/> (available at least as early as May 29, 2019).

Tritan, "32 oz Soft Straw Plastic Water Bottle," accessed on-line at: <http://www.pogogear.com/32oz-tritan-straw> (available at least as early as May 29, 2019).

Tritan, "32oz Chug Plastic Water Bottle," accessed on-line at: <http://www.pogogear.com/32oz-tritan-chug> (available at least as early as May 29, 2019).

Tritan, "18oz Chug Plastic Water Bottle," accessed on-line at: <http://www.pogogear.com/18oz-tritan-chug> (available at least as early as May 29, 2019).

Ello, "chi 24oz BPA-Free Tritan Plastic Water Bottle," accessed on-line at: <https://www.elloproducts.com/water-bottles/chi-24oz-plastic-water-bottle> (available at least as early as May 29, 2019).

Ello, "Dash 16oz 2pk Tritan Plastic Water Bottles," accessed on-line at: <https://www.elloproducts.com/kids/dash-16oz-tritan-plastic-water-bottle> (available at least as early as May 29, 2019).

Ello, "Cru Stemless Wine glass Set with Silicone Protection," accessed on-line at: <https://www.elloproducts.com/tumblers/cru-stemless-wine-glass-set-with-silicone-protection> (available at least as early as May 29, 2019).

Aladdin, "Water Bottle," (1 page) (available at least as early as May 29, 2019).

Ello, "Elsie 22oz Glass Water Bottle," accessed on-line at: <https://www.elloproducts.com/water-bottles/elsie-22oz-glass-water-bottle> (available at least as early as May 29, 2019).

Ello, "Beacon 24oz Vacuum Insulated Stainless Tumbler," accessed on-line at: <https://www.elloproducts.com/tumblers/beacon-24oz-vacuum-insulated-stainless-tumbler> (available at least as early as May 29, 2019).

Ello, "Rise 12oz Vacuum Insulated Stainless Steel Tumbler with Optional Straw," accessed on-line at: <https://www.elloproducts.com/kids/rise-12oz-vacuum-insulated-stainless-steel-tumbler> (available at least as early as May 29, 2019).

Ello, "Hammertime 18oz Stainless Steel Travel Mug," accessed on-line at: <https://www.elloproducts.com/travel-mugs/hammertime-18oz-vacuum-insulated-stainless-steel-travel-mug> (available at least as early as May 29, 2019).

Ello, "Pure 20oz Glass Water Bottle," accessed on-line at: <https://www.elloproducts.com/water-bottles/pure-20oz-glass-water-bottle> (available at least as early as May 29, 2019).

Ello, "Max 12oz Vacuum-Insulated Stainless Steel Kids Water Bottle," accessed on-line at: <https://www.elloproducts.com/kids/max-12oz-vacuum-insulated-stainless-steel-kids-water-bottle> (available at least as early as May 29, 2019).

Ello, "Syndicate 20oz Glass Water Bottle," accessed on-line at: <https://www.elloproducts.com/water-bottles/syndicate-20oz-glass-water-bottle> (available at least as early as May 29, 2019).

Mason, "Glass Jar," (1 page) (available at least as early as May 29, 2019).

Camelbak, "Eddy+ 1L Bottle," accessed on-line at: [https://www.camelbak.com/en/bottles/R02056--Eddy\\_75L\\_2019?color=6bbd0584f3a64b0eb30d406f7e03797e](https://www.camelbak.com/en/bottles/R02056--Eddy_75L_2019?color=6bbd0584f3a64b0eb30d406f7e03797e) (available at least as early as May 29, 2019).

Contigo, "Autoseal West Loop 2.0 Stainless," accessed on-line at: <https://www.gocontigo.com/20-oz-autoseal-west-loop-stainless-travel-mug-with-easy-clean-lid.html> (available at least as early as May 29, 2019).

Contigo, "Autospout Straw Striker Chill," accessed on-line at: <https://www.gocontigo.com/14-oz-autospout-striker-kids-water-bottle.html> (available at least as early as May 29, 2019).

Zojirushi, "Travel Mug SM-YAE48," accessed on-line at: <https://www.zojirushi.com/app/product/smyae> (available at least as early as May 29, 2019).

Zojirushi, "Stainless Mug SM-KC3648," accessed on-line at: <https://www.zojirushi.com/app/product/smkc> (available at least as early as May 29, 2019).

Zojirushi, "Stainless Bottle SJ-JS10," accessed on-line at: <https://www.zojirushi.com/app/product/sjjs> (available at least as early as May 29, 2019).

Zojirushi, "Flip-and-Go Stainless Mug SM-QHE48/60," accessed on-line at: <https://www.zojirushi.com/app/product/smqhe> (available at least as early as May 29, 2019).

Zojirushi, "Stainless Mug SM-TAE48SA, Ichimatsu Collection," accessed on-line at: <https://www.zojirushi.com/app/product/smtae> (available at least as early as May 29, 2019).

Zojirushi, "Stainless Mug SM-TA36/48/60," accessed on-line at: <https://www.zojirushi.com/app/product/smta> (available at least as early as May 29, 2019).

Zojirushi, "Stainless Mug SM-SE36/48/60," accessed on-line at: <https://www.zojirushi.com/app/product/smse> (available at least as early as May 29, 2019).

Zojirushi, "Stainless Mug SM-SD36/48/60," accessed on-line at: <https://www.zojirushi.com/app/product/smsd> (available at least as early as May 29, 2019).

Zojirushi, "Stainless Mug SM-SHE48/60," accessed on-line at: <https://www.zojirushi.com/app/product/smshe> (available at least as early as May 29, 2019).

Zojirushi, "Stainless Mug SM-KHE36/48," accessed on-line at: <https://www.zojirushi.com/app/product/smkhe> (available at least as early as May 29, 2019).

Zojirushi, "Stainless Mug SM-SC36/48/60" accessed on-line at: <https://www.zojirushi.com/app/product/smsc> (available at least as early as May 29, 2019).

Zojirushi, "Stainless Mug SM-PC20/30," accessed on-line at: <https://www.zojirushi.com/app/product/smpc> (available at least as early as May 29, 2019).

Zojirushi, "Stainless Mug SM-PB30/34," accessed on-line at: <https://www.zojirushi.com/app/product/smpb> (available at least as early as May 29, 2019).

Migo, "Enjoy Sport Water Bottle," accessed on-line at: <https://www.pinterest.ru/pin/12666442685646757/> (available at least as early as May 29, 2019).

Coleman, "Switch SS," accessed on-line at: [https://www.coleman.com/all-camp-kitchen/drinkware/switch-ss/col\\_2038485\\_pr/COL\\_2038485](https://www.coleman.com/all-camp-kitchen/drinkware/switch-ss/col_2038485_pr/COL_2038485) (available at least as early as May 29, 2019).

Corkcicle, "Classic Arctican," accessed on-line at: <https://corkcicle.com/products/classic-arctican?variant=475182759951> (available at least as early as May 29, 2019).

Ello, "Reflex Beverage Container," (1 page) (available at least as early as May 29, 2019).

\* cited by examiner

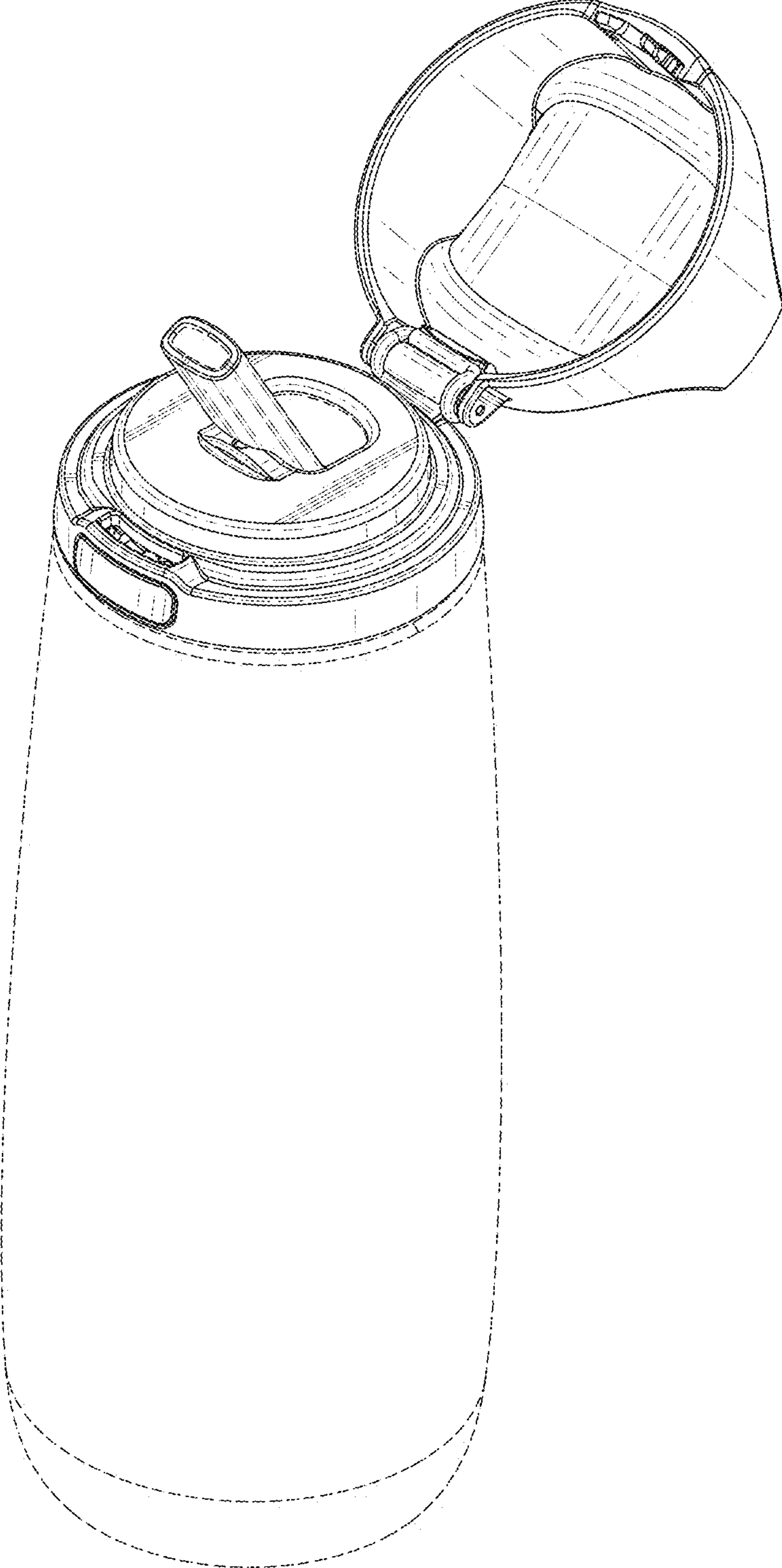


FIG. 1



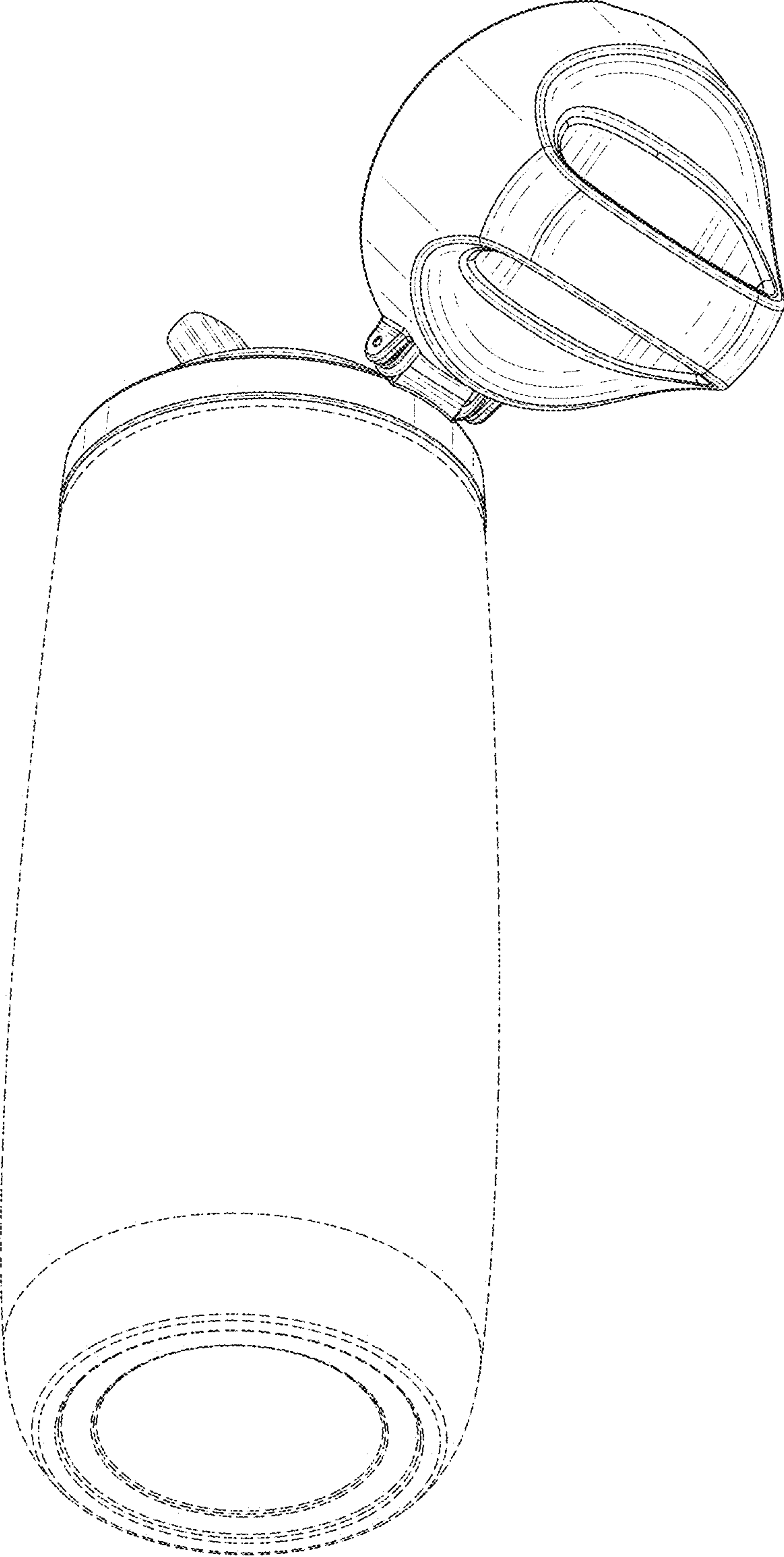


FIG. 2

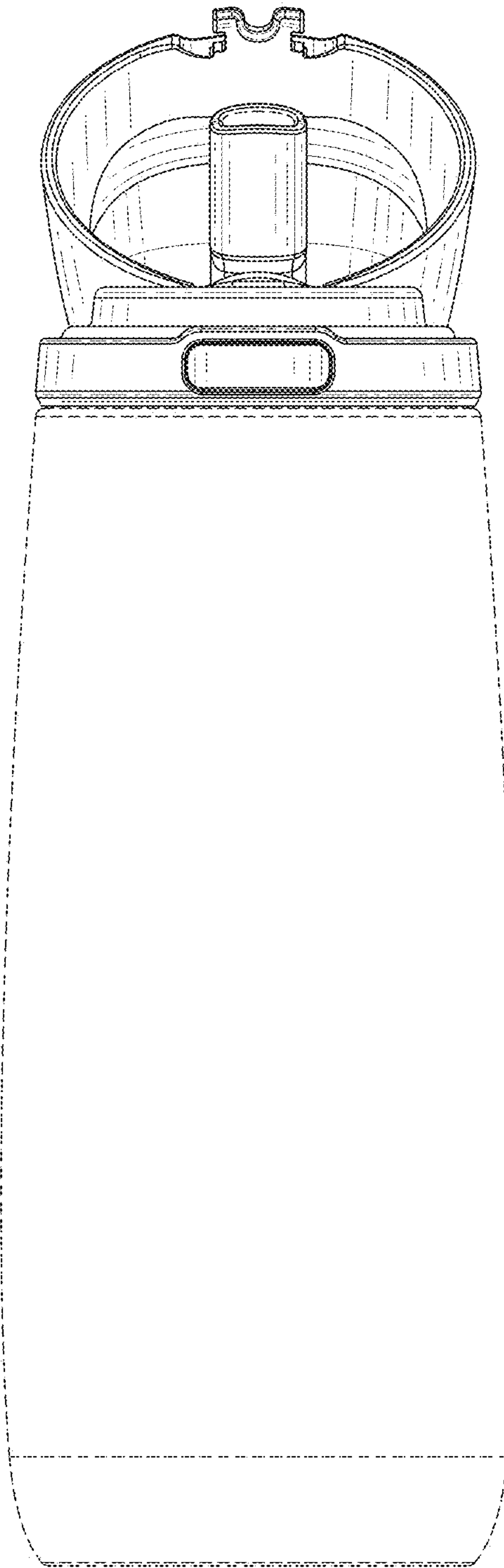


FIG. 3

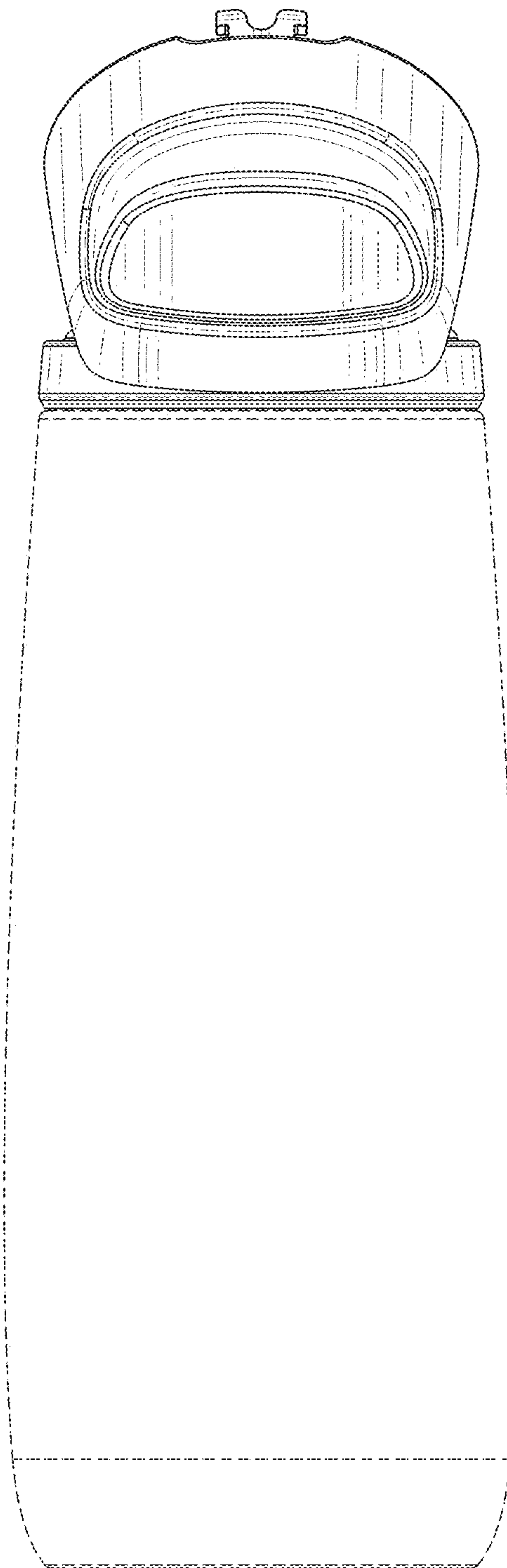


FIG. 4

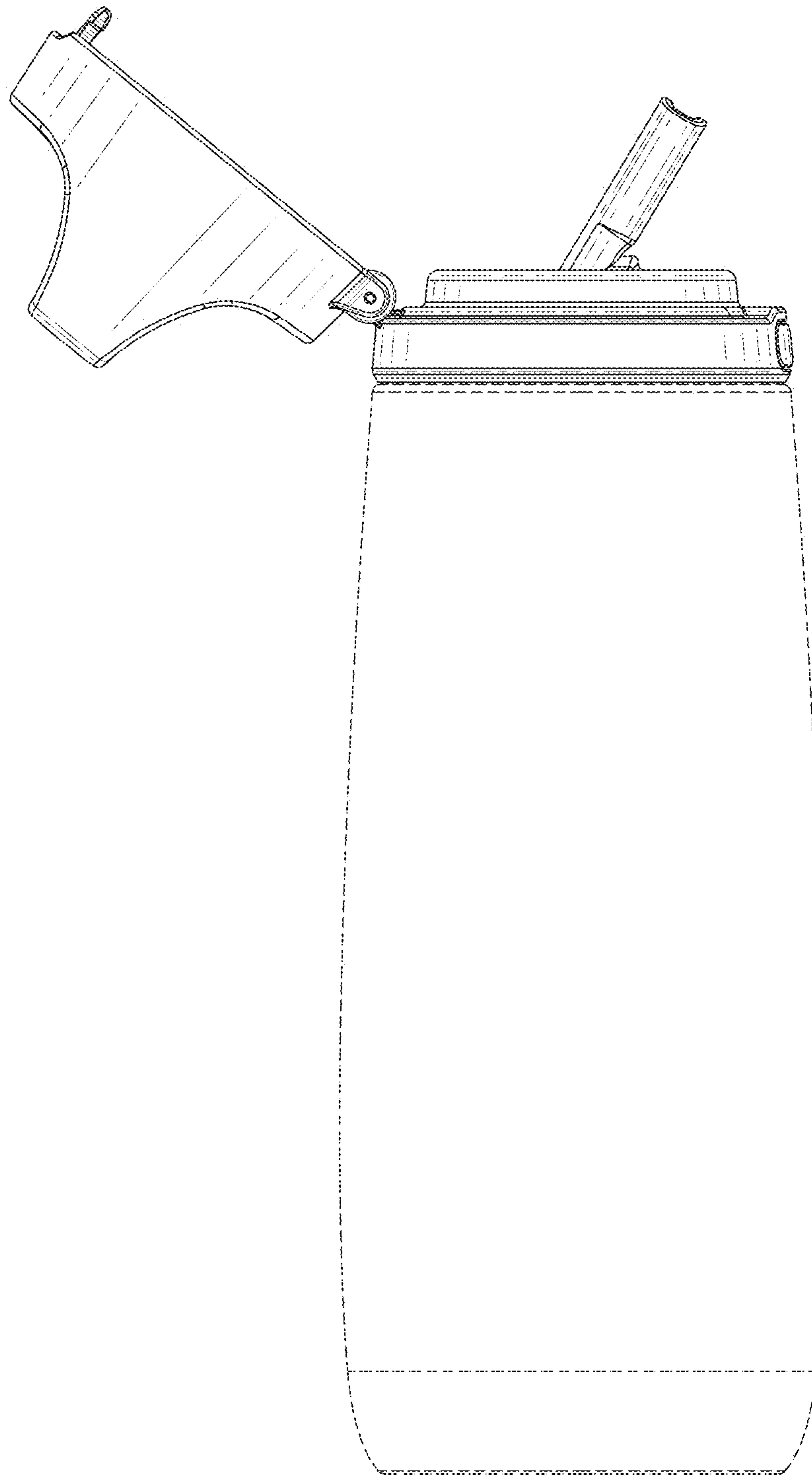


FIG. 5



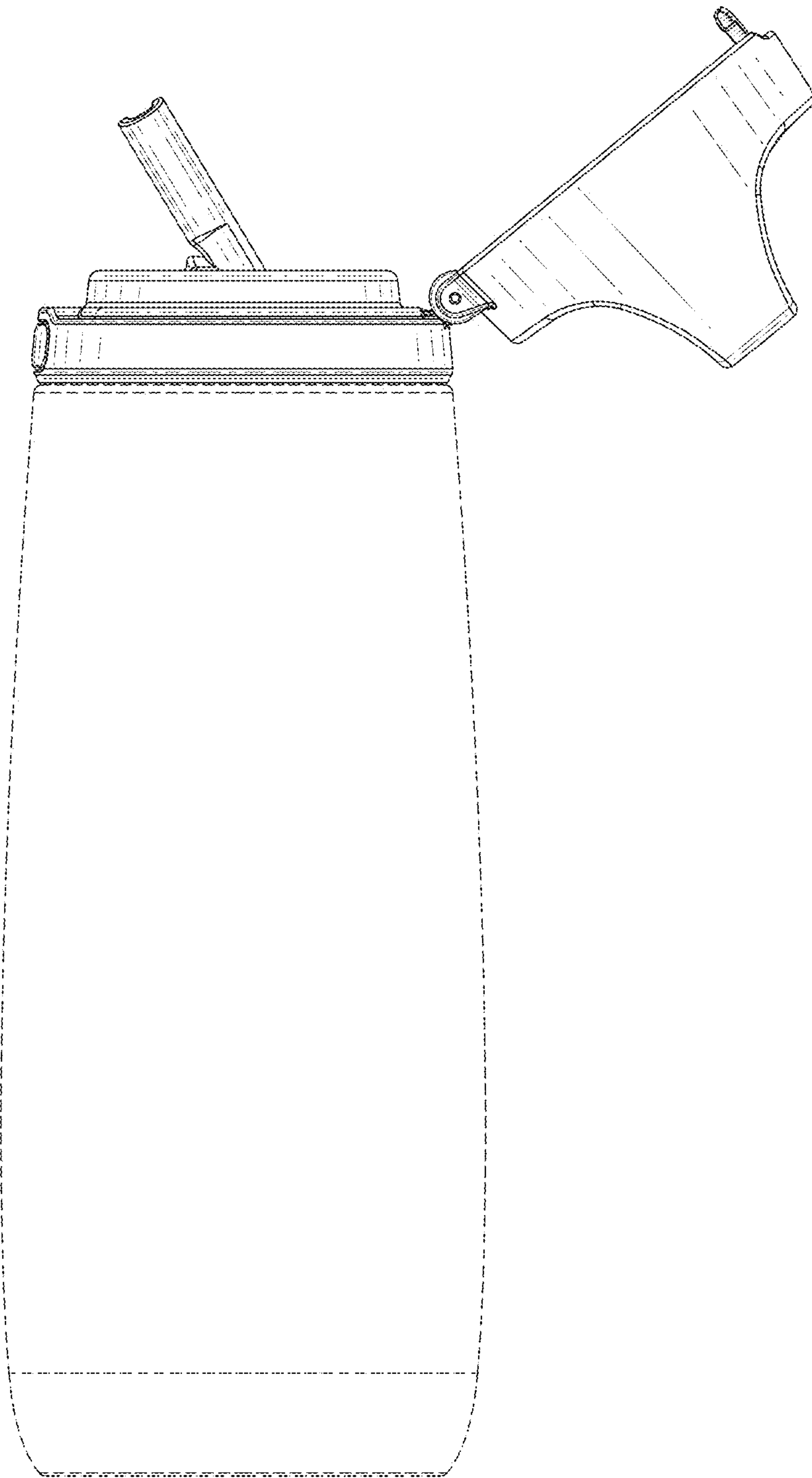


FIG. 6

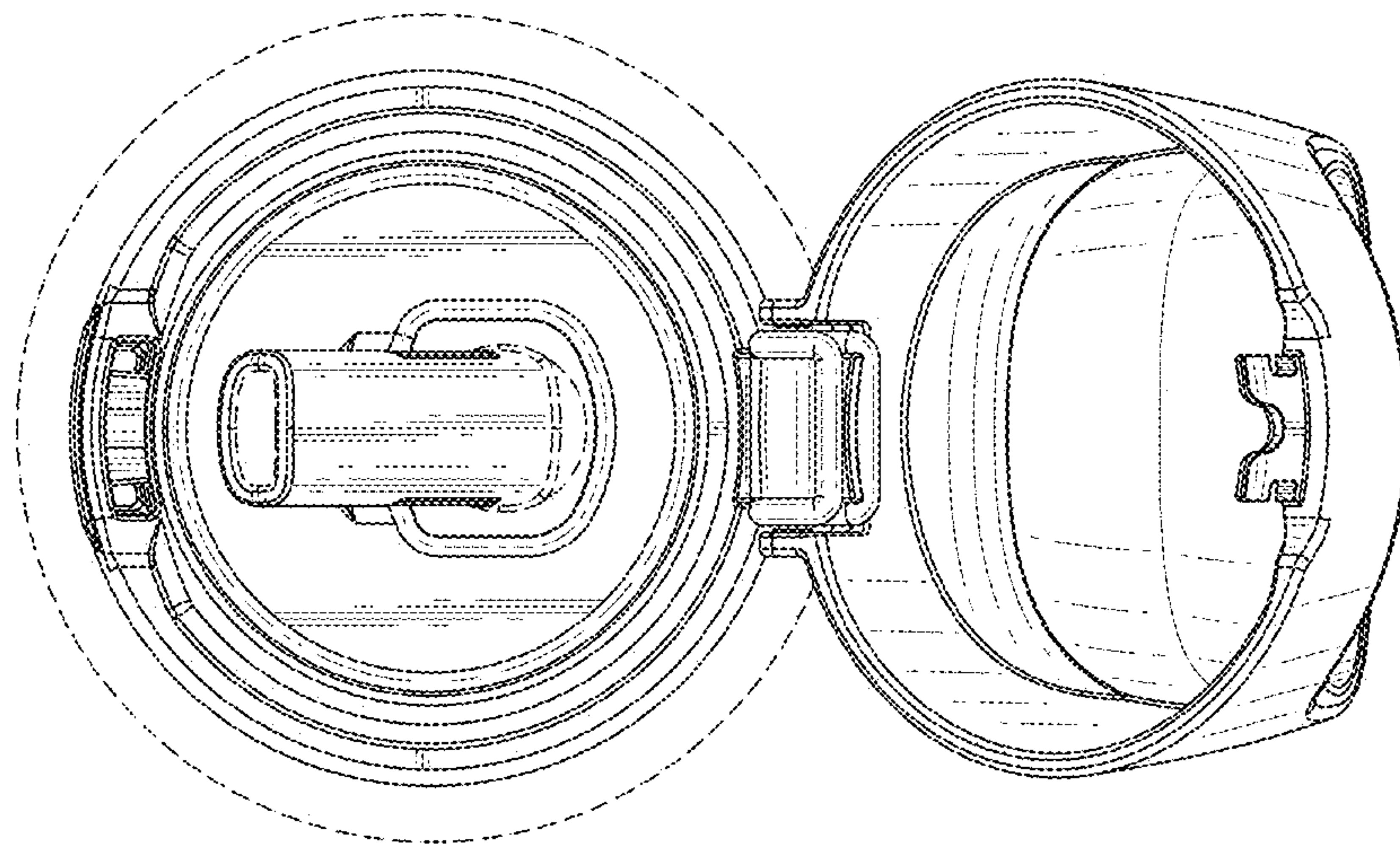


FIG. 7

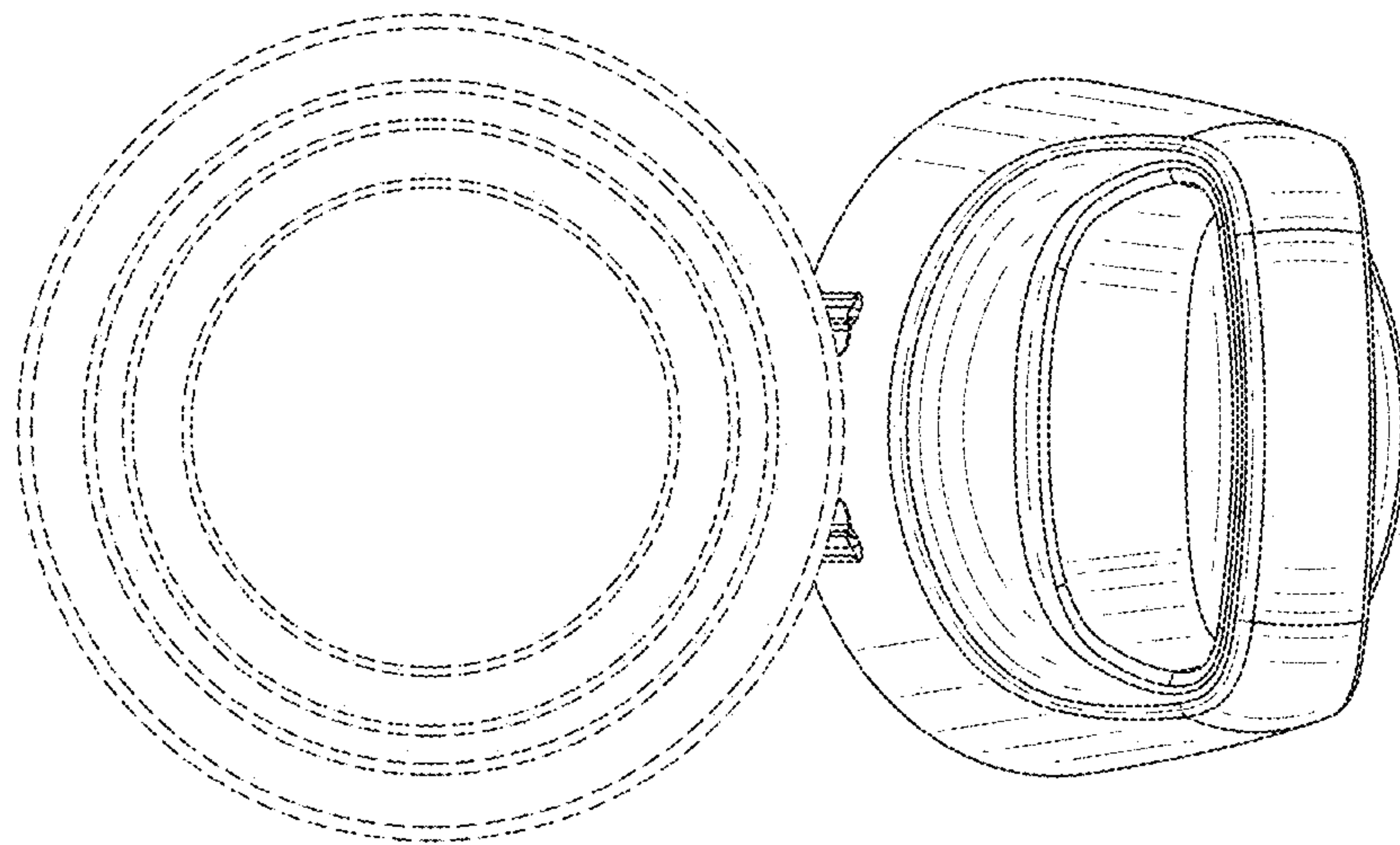


FIG. 8