



US00D938776S

(12) **United States Design Patent** (10) **Patent No.:** **US D938,776 S**  
**Hayon** (45) **Date of Patent:** **\*\* Dec. 21, 2021**

(54) **BLENDER**  
(71) Applicant: **Samsung Electronics Co., Ltd.**,  
Suwon-si (KR)  
(72) Inventor: **Jaime Hayon**, Valencia (ES)  
(73) Assignee: **Samsung Electronics Co., Ltd.**,  
Suwon-si (KR)

D630,467 S \* 1/2011 Harrod ..... D7/376  
D728,302 S \* 5/2015 Vu ..... D7/378  
D747,135 S 1/2016 Ha  
D755,004 S \* 5/2016 Bock ..... D7/386  
D782,866 S \* 4/2017 Suess ..... D7/378  
D794,385 S \* 8/2017 Lee ..... D7/386  
D817,080 S \* 5/2018 Seidl ..... D7/377  
D895,348 S \* 9/2020 Vignau-Lous ..... D7/377  
D896,566 S \* 9/2020 Wang ..... D7/378  
2016/0130052 A1 \* 5/2016 Stenglein ..... B65D 51/245  
220/212

(\*\*) Term: **15 Years**

(21) Appl. No.: **29/739,530**

(22) Filed: **Jun. 26, 2020**

(30) **Foreign Application Priority Data**

Dec. 26, 2019 (KR) ..... 30-2019-0063157

(51) **LOC (13) Cl.** ..... **31-00**

(52) **U.S. Cl.**  
USPC ..... **D7/378**; D7/376; D7/412; D7/413

(58) **Field of Classification Search**  
USPC ..... D7/372, 376-386, 412-413, 602, 629,  
D7/665-666, 669, 679, 693-694  
CPC .... A21C 1/02; A21C 1/04; A23N 1/00; A23N  
1/02; A47J 43/04; A47J 43/25; A47J  
43/27; A47J 43/042; A47J 43/044; A47J  
43/046; A47J 43/075; A47J 43/0711;  
A47J 43/0722; A47J 43/0727; B01F 3/00;  
B01F 3/0807; B01F 3/0853; B01F  
13/0059; B01F 13/0064; B02C 1/08;  
B02C 2/04; B02C 4/42; B02C 4/142;  
B02C 4/143; B02C 4/423; B02C 13/1835;  
B28C 5/10; B28C 5/12; B28C 5/14;  
B28C 5/16; B65D 51/245  
See application file for complete search history.

(56) **References Cited**

**U.S. PATENT DOCUMENTS**

D199,888 S \* 12/1964 Dewenter ..... D7/378  
D578,340 S \* 10/2008 Picozza ..... D7/378

**FOREIGN PATENT DOCUMENTS**

CN 201630135197 8/2016  
CN 201730213294 10/2017  
EM 003337302-0001 1/2017  
KR 30-2018-0060124 7/2019

\* cited by examiner

*Primary Examiner* — Ricky Pham  
(74) *Attorney, Agent, or Firm* — NSIP Law

(57) **CLAIM**

I claim the ornamental design for a blender, as shown and described.

**DESCRIPTION**

FIG. 1 is a front perspective view of a blender showing my new design;  
FIG. 2 is a front view thereof;  
FIG. 3 is a rear view thereof;  
FIG. 4 is a left-side view thereof;  
FIG. 5 is a right-side view thereof;  
FIG. 6 is a top view thereof; and,  
FIG. 7 is a bottom view thereof.  
The broken lines in the figures depict portions of the blender which form no part of the claimed design.

**1 Claim, 7 Drawing Sheets**

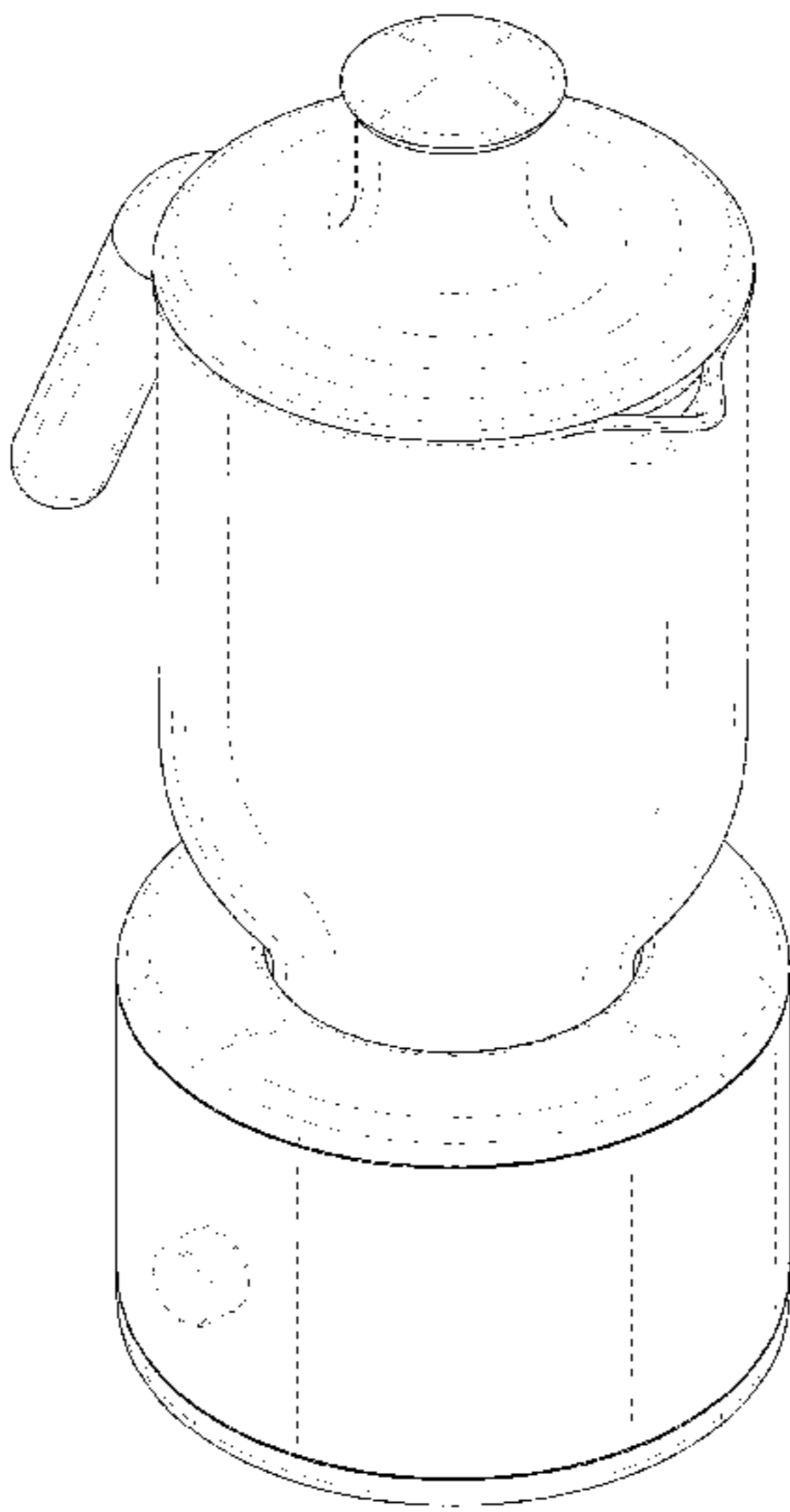


FIG. 1

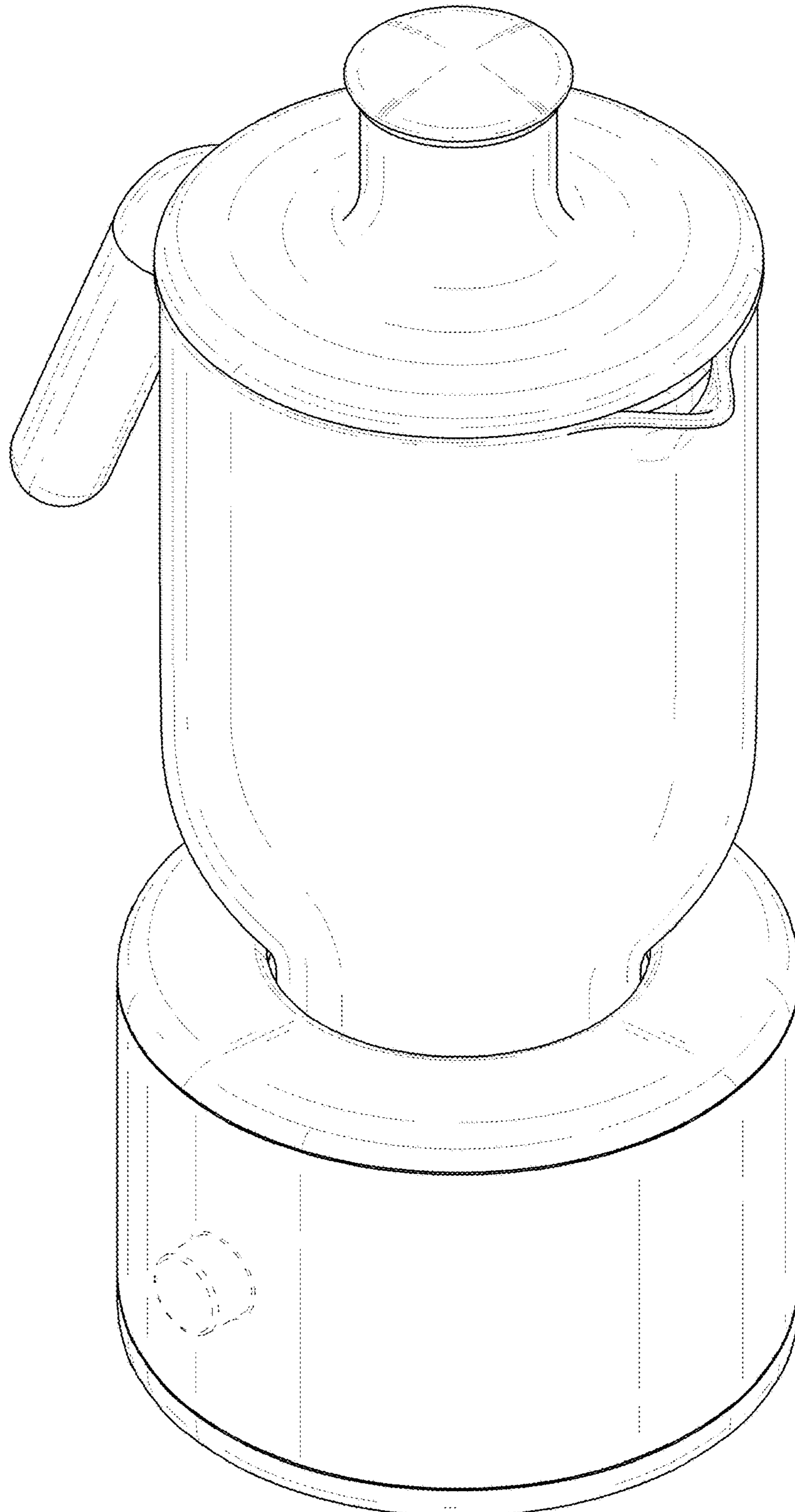


FIG. 2

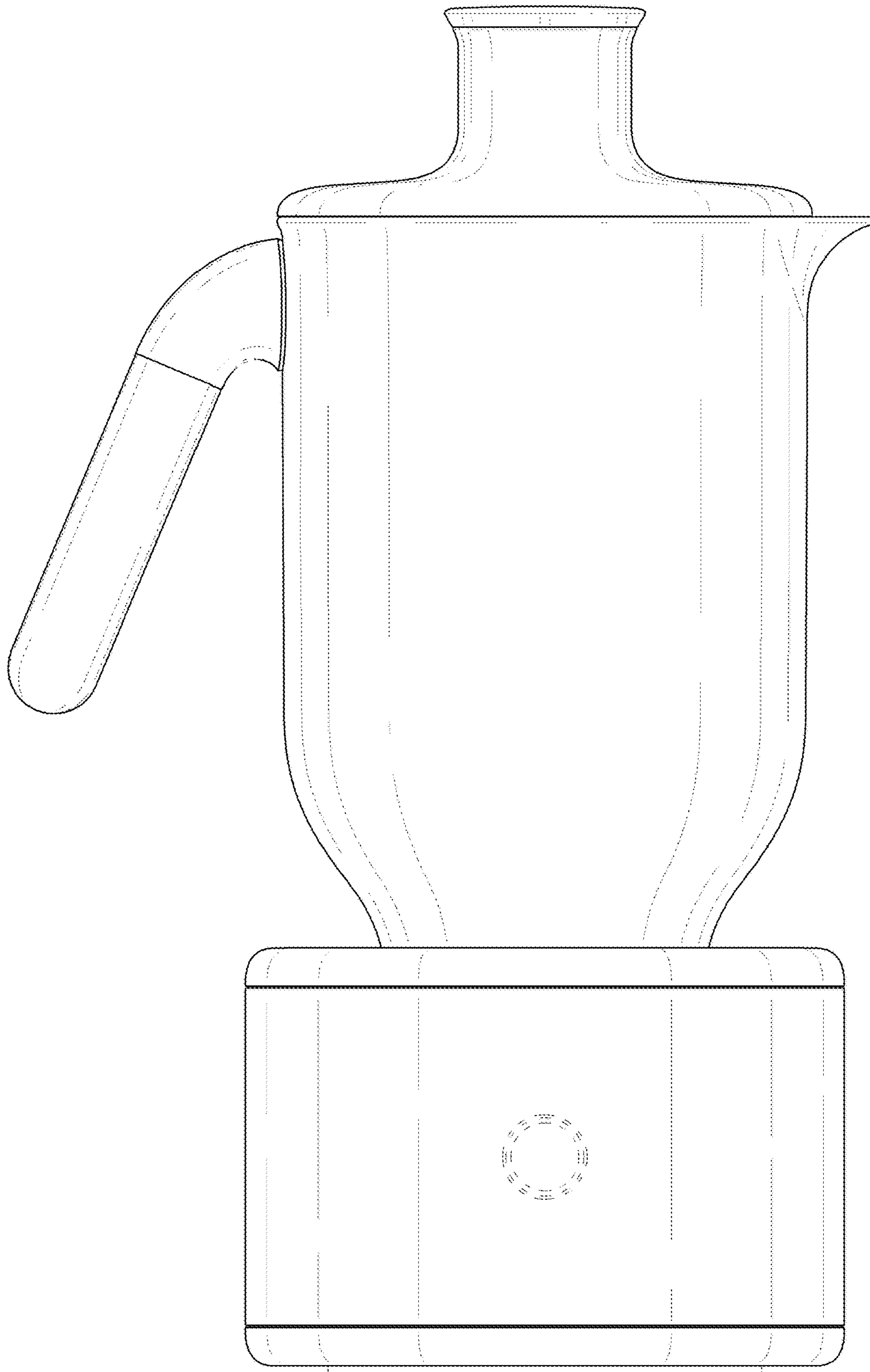


FIG. 3

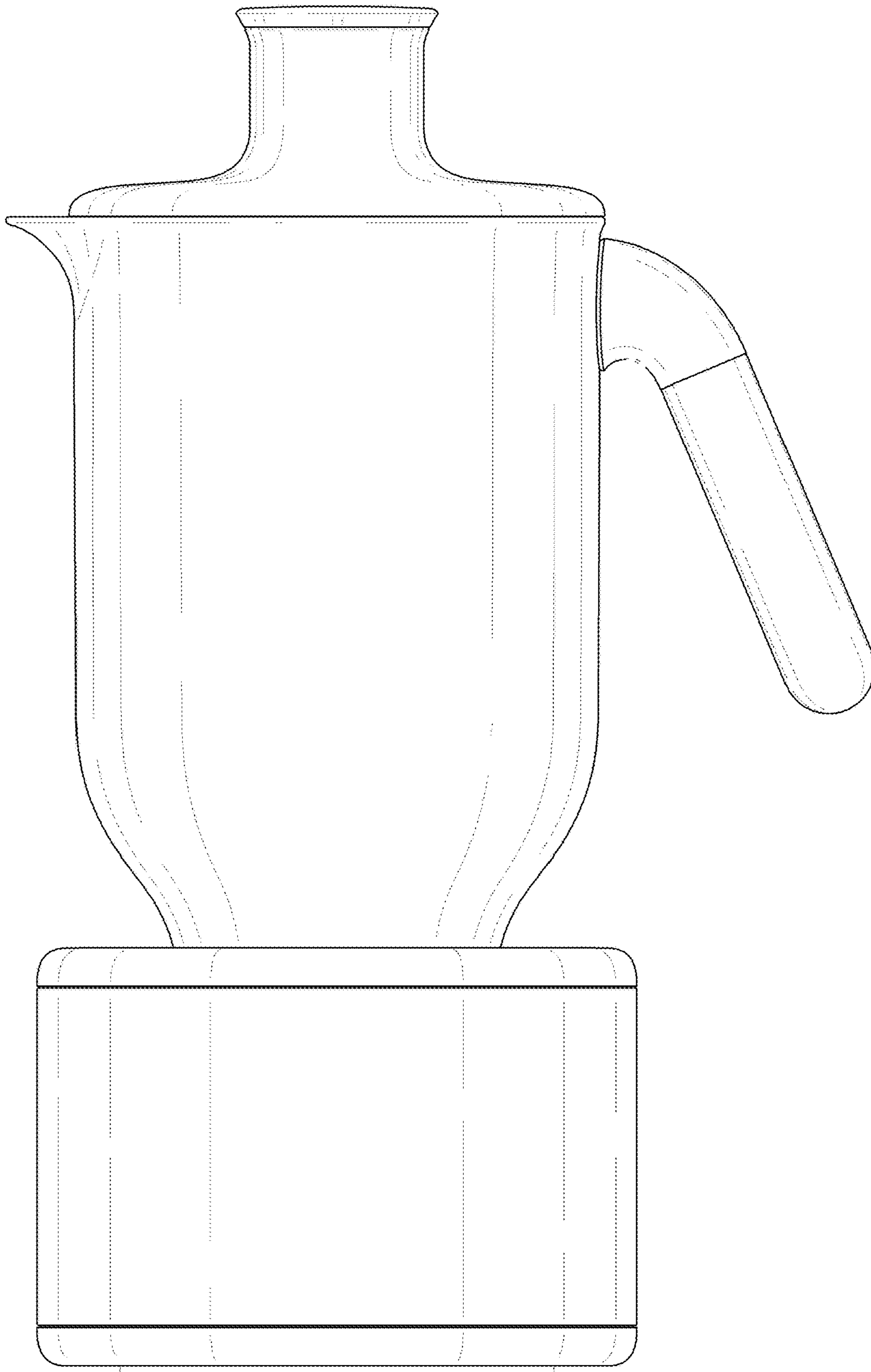


FIG. 4

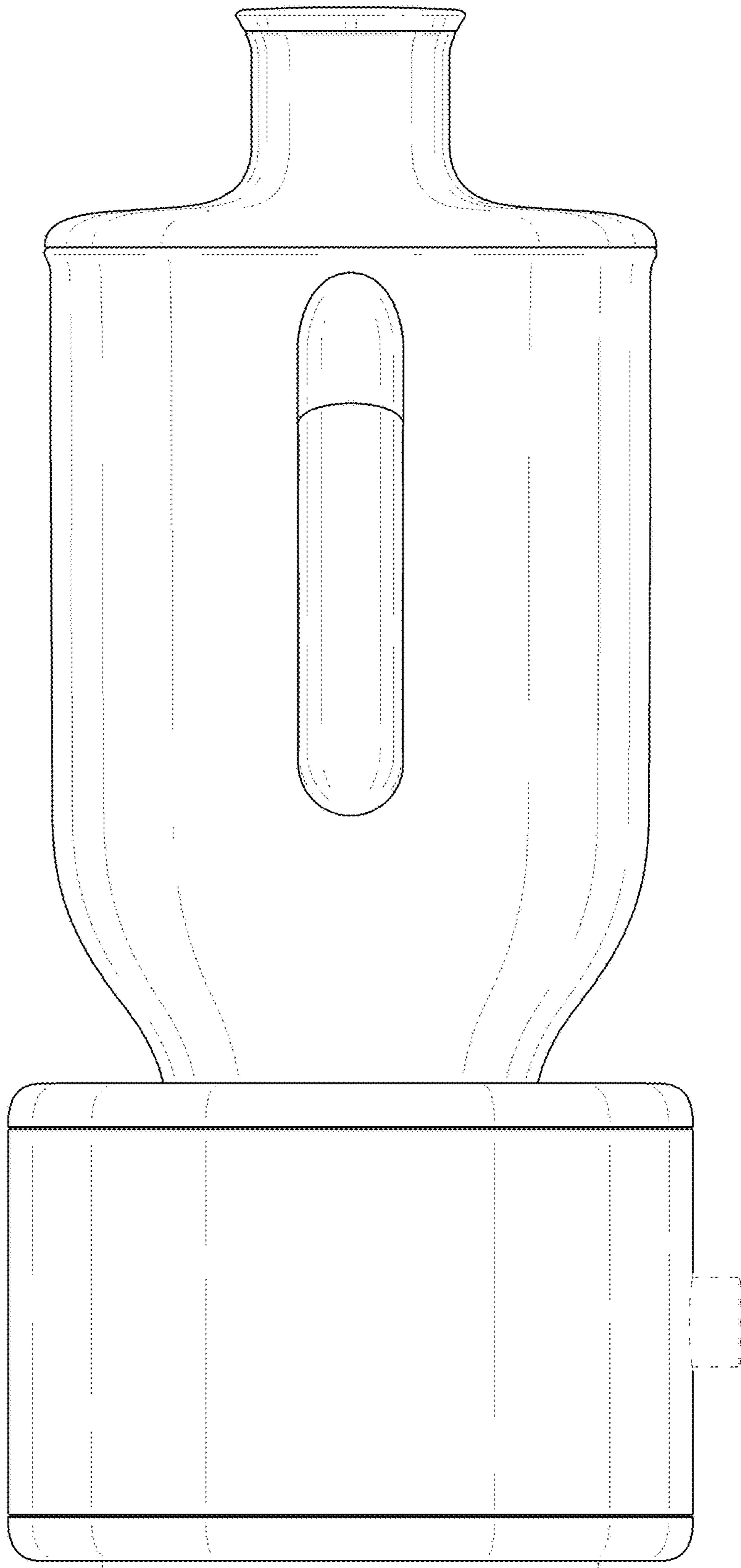


FIG. 5

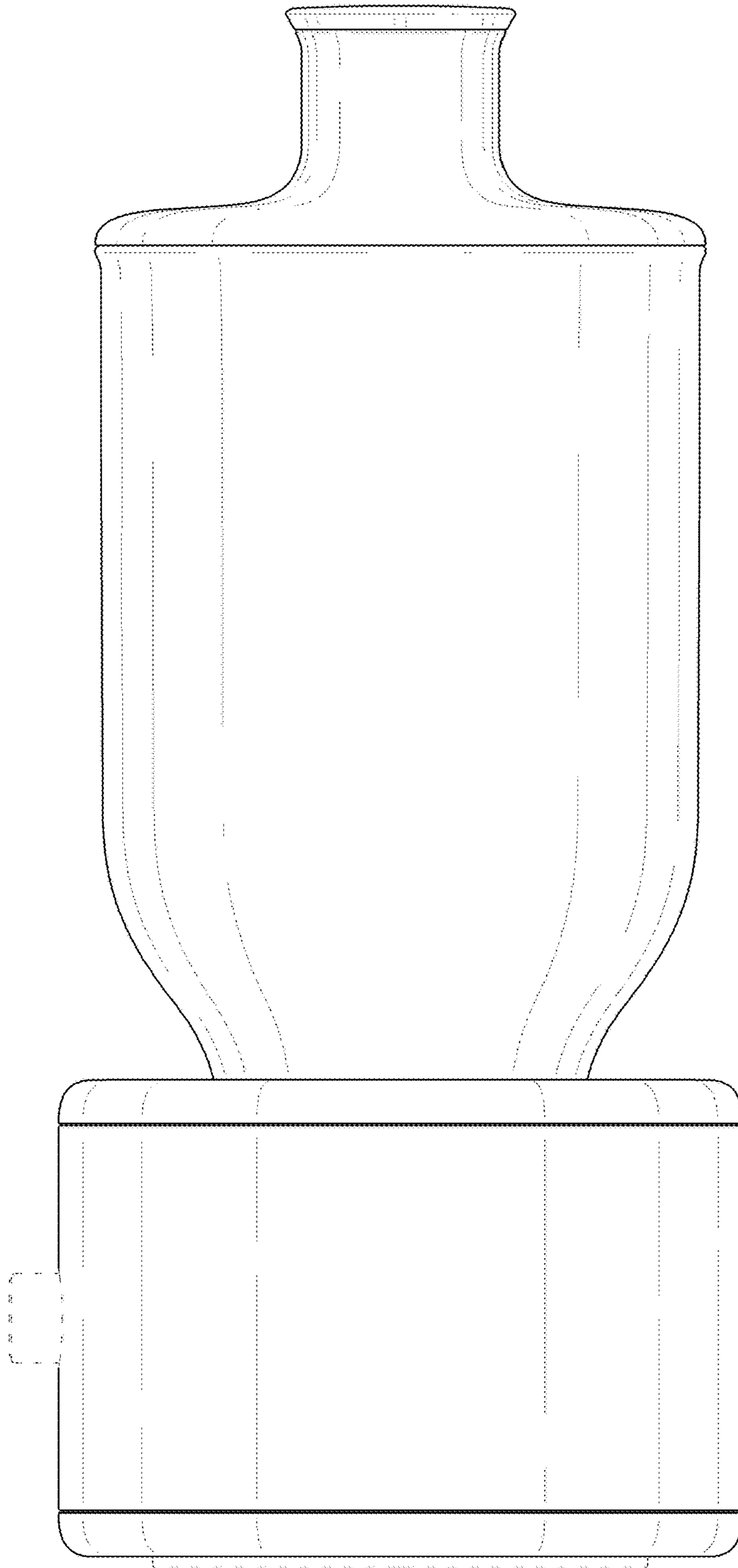


FIG. 6

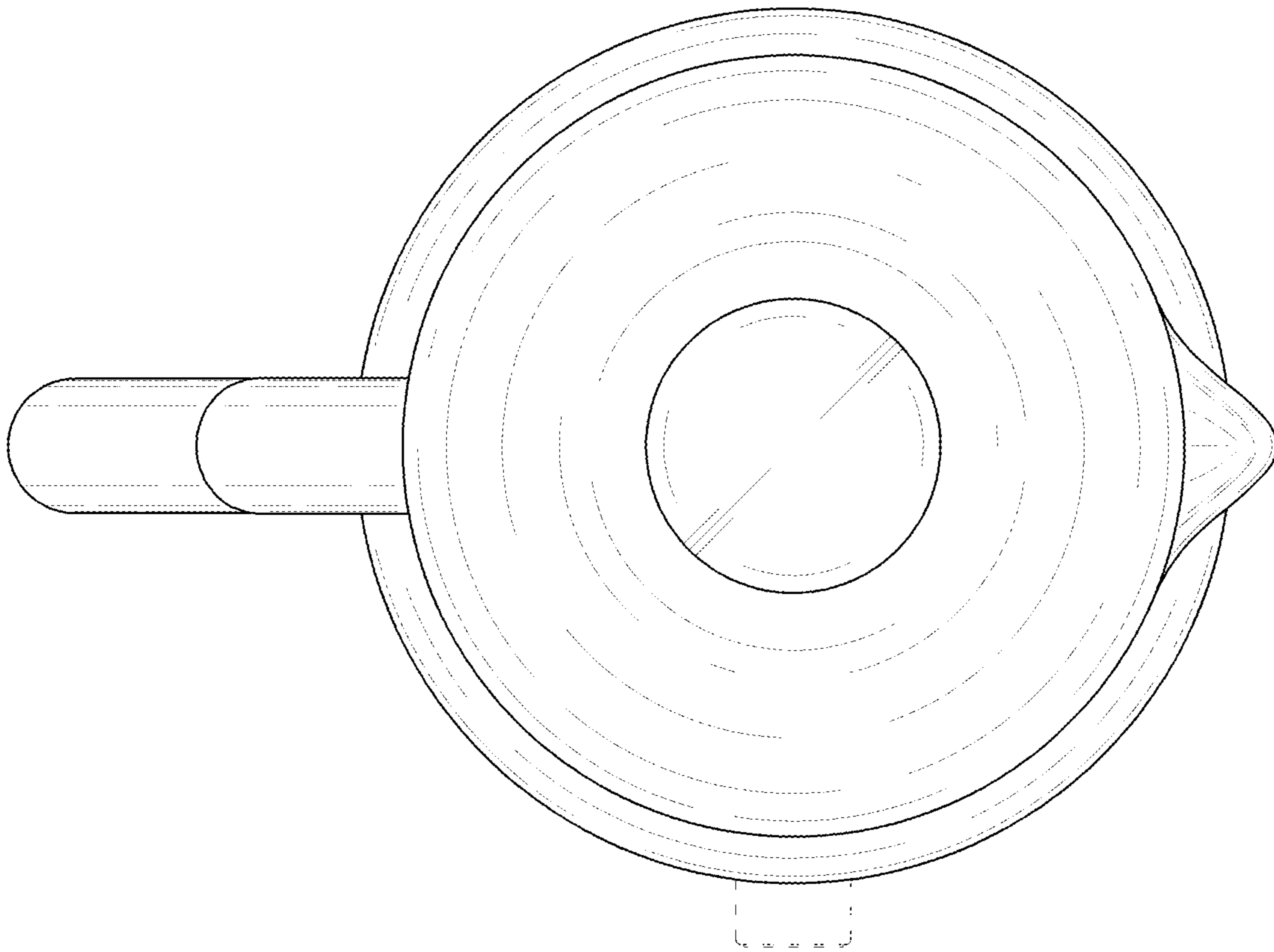


FIG. 7

