



US00D938770S

(12) **United States Design Patent** (10) **Patent No.:** **US D938,770 S**
Styrc et al. (45) **Date of Patent:** **** Dec. 21, 2021**

(54) **CONNECTOR**

F16B 7/048; F16B 7/0486; F16B 9/052;
F16B 9/056; F16B 9/058; A45F 3/22;
A45F 3/24; A45F 3/26; F16M 11/24

(71) Applicant: **2724889 ONTARIO INC.**, Oakville
(CA)

See application file for complete search history.

(72) Inventors: **Jacek Styrc**, Oakville (CA); **Sebastian Lysiak**, Bielsko-Biala (PL)

(56)

References Cited

U.S. PATENT DOCUMENTS

(73) Assignee: **2724889 ONTARIO INC.**, Oakville
(CA)

(**) Term: **15 Years**

(21) Appl. No.: **29/723,123**

(22) Filed: **Feb. 4, 2020**

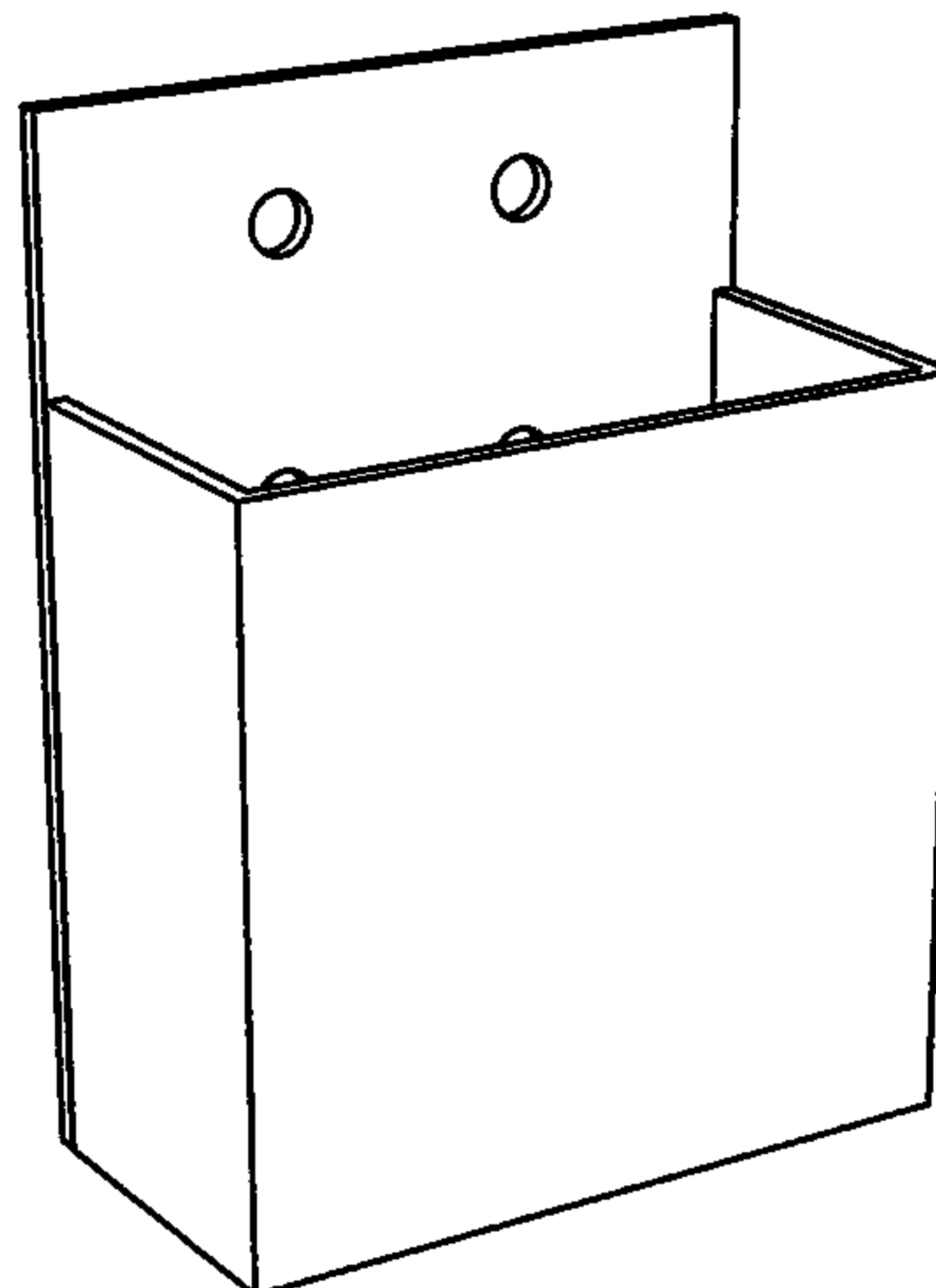
(51) **LOC (13) Cl.** **06-06**

(52) **U.S. Cl.**
USPC **D6/718.12; D8/382**

(58) **Field of Classification Search**
USPC D25/133, 134, 68, 199, 124, 127, 135,
D25/122, 119; D8/349, 354, 380, 381,
D8/373, 374, 394, 382; D6/718.1,
D6/718.11, 718.12, 347, 702, 718.29,
D6/387, 388, 683, 684

CPC E04F 10/02; E04B 1/1912; E04B 1/2608;
E04B 1/28; E04B 1/30; E04B 1/3483;
E04B 1/34838; E04B 1/34846; E04B
1/34853; E04B 1/34861; E04B 1/40;
E04B 1/34823; E04B 1/2612; E04B
2001/1963; E04B 2001/199; E04B
2001/1993; E04B 2001/266; E04B
2001/2676; E04B 2001/1984; E04B
2001/405; E04B 2001/2415; E04B
2001/2439; E04B 2001/2445; E04B
2001/2457; E04B 2001/246; E04B
2001/2469; E04B 2001/2644; E04B
2001/2684; E04B 2001/2692; A47B
13/003; A47B 2013/006; A47B 13/021;
A47B 2013/022; A47B 13/04; A47B
13/06; A47B 2220/0036; A47B
2220/0038; A47B 2220/0041; A47B
2220/0044; F16B 7/04; F16B 7/0406;
F16B 7/0426; F16B 7/044; F16B 7/0453;

451,596 A *	5/1891	Longenecker	F16B 9/058 52/656.9
490,122 A *	1/1893	Magargal	F41C 33/0209 224/231
922,215 A *	5/1909	Tuteur	F16B 7/0446 403/190
949,394 A	2/1910	Daly	
1,097,934 A *	5/1914	Price	F16B 9/058 403/190
1,201,159 A *	10/1916	Dettmer	F41C 33/0209 224/231
1,214,738 A *	2/1917	Wolf	F16B 12/56 5/290
1,441,559 A *	1/1923	Burhen	E06B 3/984 403/205
1,816,049 A *	7/1931	Larner	A24F 19/0064 206/496
1,818,418 A	8/1931	Millard	
1,848,085 A *	3/1932	Eisenschmidt	E04G 7/02 403/187
2,016,702 A *	10/1935	Bauer	F16B 7/048 403/237
2,037,736 A	4/1936	Payne et al.	
2,153,547 A	4/1939	Charlop	
2,225,599 A	12/1940	Zillig	
D141,423 S *	5/1945	Lewis	D6/573
2,477,163 A *	7/1949	Barnett	F16B 9/052 403/205
D178,316 S *	7/1956	Vegors	D22/147
2,869,693 A	1/1959	Wood	
2,931,129 A	4/1960	Boniface	
3,188,696 A *	6/1965	Earhart	E04B 1/2612 52/241
3,229,004 A	1/1966	Lewine	
3,278,149 A *	10/1966	Brucker	F16B 9/056 248/239
3,294,298 A *	12/1966	Danielson	A45F 5/00 224/666
3,310,324 A	3/1967	Boden	
3,352,491 A	11/1967	Nelson	
3,369,333 A *	2/1968	Wheeler	F16B 7/00 52/210



US D938,770 S

8,870,163	B2 *	10/2014	Regan	E04F 11/1817 256/65.02	2006/0260259	A1 *	11/2006	Morse	E04B 1/2608 52/698
8,925,893	B2 *	1/2015	Biedenweg	B60P 7/0807 248/680	2007/0209312	A1 *	9/2007	Keys	F16B 9/052 52/696
D726,342	S	4/2015	Rodriguez		2007/0209314	A1	9/2007	Vaughn	
D727,143	S *	4/2015	Gomez	D9/432	2007/0261356	A1	11/2007	Vaughn	
9,091,037	B2	7/2015	Fairbairn		2007/0266647	A1 *	11/2007	Pedersen	A47B 9/00 52/36.6
9,102,092	B2	8/2015	Mukith et al.						
D737,670	S *	9/2015	Beyerle	D8/373	2008/0110583	A1	5/2008	Lallemand	
9,144,291	B2 *	9/2015	Huang	A45F 5/021	2008/0178551	A1	7/2008	Porter	
D744,319	S *	12/2015	White	D8/354	2008/0229678	A1	9/2008	Goddard	
9,228,338	B2 *	1/2016	Lin	E04B 1/2612	2011/0179741	A1	7/2011	Yen	
D749,597	S *	2/2016	Wengreen	D14/447	2011/0258941	A1	10/2011	Dalo	
9,388,540	B2 *	7/2016	Koering	B66B 23/24	2011/0308063	A1	12/2011	Feeleus	
D768,466	S *	10/2016	Simmons	D8/354	2013/0036702	A1	2/2013	Paceti et al.	
D769,470	S *	10/2016	Criscione	D25/134	2013/0108394	A1	5/2013	Zhu	
D775,512	S *	1/2017	White	D8/354	2013/0232758	A1	8/2013	Pond	
D776,965	S *	1/2017	Anderson	D6/705	2013/0247499	A1	9/2013	Zimmerman et al.	
D783,390	S	4/2017	Nelson		2013/0276382	A1	10/2013	Workman	
9,631,770	B2 *	4/2017	Holestine	F16M 11/046	2013/0306808	A1	11/2013	Huang	
D805,218	S *	12/2017	Malone	D25/68	2014/0082921	A1 *	3/2014	Adams, Jr.	F16B 7/04 29/525.02
9,856,640	B2	1/2018	Shuhaibar						
D820,359	S	6/2018	Deemer		2015/0020857	A1	1/2015	Dominick	
D822,454	S *	7/2018	Kanter	D8/354	2015/0152630	A1 *	6/2015	Winter	E04F 15/02044 52/633
D824,399	S *	7/2018	Wengreen	D14/447					
10,024,046	B2 *	7/2018	Higginbotham	E04B 5/12	2015/0328977	A1	11/2015	Lueschen et al.	
10,030,408	B2 *	7/2018	Crandall	E04H 17/1413	2016/0168840	A1 *	6/2016	Monty	F16B 7/0493 52/262
D825,967	S *	8/2018	Tolokan	D6/701					
D826,695	S *	8/2018	Bolster	D8/354	2017/0089059	A1	3/2017	Farre Berga	
D827,414	S	9/2018	MacDonald et al.		2017/0233996	A1	8/2017	Abernathy et al.	
D832,858	S *	11/2018	Wengreen	D14/447	2017/0314254	A1	11/2017	Houghton et al.	
D834,396	S	11/2018	MacDonald		2018/0070709	A1	3/2018	Ketcher	
D835,973	S	12/2018	Bertato		2018/0135295	A1	5/2018	Bowron	
10,202,766	B1 *	2/2019	Fox	E04B 7/045	2018/0135296	A1 *	5/2018	Brekke	E04B 1/2612
D842,684	S *	3/2019	House	D8/354	2018/0230664	A1	8/2018	Dominguez	
D843,823	S	3/2019	Bouchard		2018/0238041	A1	8/2018	Styrc	
D843,932	S	3/2019	Sinai et al.		2019/0078313	A1	3/2019	Morgan	
D845,113	S	4/2019	Salter		2019/0226201	A1	7/2019	Nguyen	
D845,116	S	4/2019	Wokutch		2019/0271146	A1 *	9/2019	Fox	E04B 1/2604
D845,310	S *	4/2019	Wengreen	D14/447	2019/0277022	A1 *	9/2019	Francis	E04B 1/003
D845,959	S *	4/2019	Wengreen	D14/447	2020/0375366	A1 *	12/2020	Chen	A47C 3/0255
D846,369	S *	4/2019	Ni	D8/354					
D846,370	S *	4/2019	Ni	D8/354					
D852,788	S *	7/2019	Kanter	D14/238					
D854,191	S *	7/2019	Sorensen	D25/68					
D854,710	S	7/2019	Hendry						
D856,282	S	8/2019	Pillsbury						
D856,781	S	8/2019	Hendry et al.						
D859,958	S *	9/2019	Ni	D8/354					
10,422,140	B2 *	9/2019	Mitchell	E04F 11/181					
D866,465	S *	11/2019	Harrison	D13/119					
10,480,177	B2 *	11/2019	Siddhartha	E04B 1/2612					
D870,544	S *	12/2019	Lai	D8/382					
10,518,596	B2 *	12/2019	Aitoh	B21D 5/16					
10,597,899	B2 *	3/2020	Crandall	E04H 17/143					
D887,025	S *	6/2020	Styrc	D25/133					
10,697,198	B2 *	6/2020	Crandall	E04H 17/1417					
10,760,298	B2 *	9/2020	Crandall	E04H 17/20					
D900,199	S	10/2020	Rogers						
D901,929	S *	11/2020	McCune	D6/540					
D905,067	S *	12/2020	Wengreen	D14/447					
D905,068	S *	12/2020	Wengreen	D14/447					
D905,069	S *	12/2020	Wengreen	D14/447					
D912,496	S *	3/2021	Fox	D8/354					
D915,186	S	4/2021	Barker						
10,975,584	B2 *	4/2021	Brownmiller	E04G 5/14					
D918,010	S *	5/2021	Lynn	D8/331					
D920,728	S	6/2021	Scott						
D929,611	S	8/2021	Styrc et al.						
11,098,476	B2	8/2021	Jin et al.						
2003/0101677	A1	6/2003	Hewett						
2004/0170471	A1	9/2004	Wadsworth et al.						
2004/0182430	A1	9/2004	Seo						
2005/0098772	A1	5/2005	Fuoco						
2006/0029462	A1	2/2006	Patberg						
2006/0130887	A1	6/2006	Mallookis et al.						
2006/0185706	A1	8/2006	Slade						
2006/0193687	A1	8/2006	Ghosh						

FOREIGN PATENT DOCUMENTS

CA	3007687	A1 *	12/2018	E04B 1/2403
CN	201542095	U	8/2010		
EP	2492408	A1	8/2012		
EP	3456990	A1 *	3/2019	F16B 37/045
FR	2300863	A1 *	9/1976	E04B 1/2612
FR	2579720	A1	10/1986		
FR	2991304	A1 *	12/2013	E04B 1/3483
GB	422765	A *	1/1935	E04B 5/14
GB	910183	A	11/1962		
JP	S48-032321		4/1973		
JP	S48-32322		4/1973		
JP	S58-061816		4/1983		
JP	1997268655		10/1997		
RU	73909	U1	6/2008		
WO	201656696	A1	4/2016		
WO	2016178637	A1	11/2016		
WO	WO-2019048362	A1 *	3/2019	F16B 7/0473
WO	WO-2021094982	A1 *	5/2021	E04B 1/19

OTHER PUBLICATIONS

“Office Action for JP 2021-002873”.

“Office Action for JP 2021-002874”.

“Office Action for JP 2021-002875”.

“Office Action for JP 2021-002876”.

“Office Action for JP 2021-002877”.

“Office Action for JP 2021-002878”.

International Search Report of the International Searching Authority for PCT/CA2018/050169, Canadian Intellectual Property Office, Lily Truong, Canada, dated Jun. 21, 2018.

Office action for U.S. Appl. No. 15/815,973, United States Patent & Trademark Office, dated Aug. 15, 2018.

Office action for U.S. Appl. No. 15/815,973, United States Patent & Trademark Office, dated Mar. 19, 2019.

Office action for U.S. Appl. No. 16/485,272, United States Patent & Trademark Office, dated Dec. 19, 2019.

Office action for U.S. Appl. No. 29/635,278, United States Patent & Trademark Office, dated Sep. 17, 2019.

Written Opinion of the International Searching Authority for PCT/CA2018/050169, Canadian Intellectual Property Office, Lily Truong, Canada, dated Jun. 21, 2018.

Office action for U.S. Appl. No. 29/635,278, United States Patent & Trademark Office, dated Feb. 14, 2020.

Pergola CUBIC 3-way corner bracket for 7x7 cm post-beam <https://www.vinuovo.com/en/pergola-cubic-way-corner-bracket-for-7x7-94058077.html#reviews> Aug. 1, 2019 (Year: 2019).

Toja Grid TRIO 2 Pack for 6x6 Wood G0210360-2 <https://www.patioproducts.com/toja-grid-trio-2-pack-for-6x6-wood-g0210360-2.html> Date Unknown.

“Russian Patent Office, Office Action dated Jul. 6, 2021 for application No. 2019128908”.

* cited by examiner

Primary Examiner — Holly E Thurman

Assistant Examiner — Ieisha N Price

(74) *Attorney, Agent, or Firm* — Bhole IP Law; Anil Bhole; Marc Lampert

(57)

CLAIM

The ornamental design for a connector, as shown and described.

DESCRIPTION

FIG. 1 is a front perspective view of a connector according to our new design.

FIG. 2 is a top view of the design of FIG. 1.

FIG. 3 is a bottom view of the design of FIG. 1.

FIG. 4 is a front view of the design of FIG. 1.

FIG. 5 is a rear view of the design of FIG. 1.

FIG. 6 is a left side view of the design of FIG. 1.

FIG. 7 is a right side view of the design of FIG. 1.

FIG. 8 is a rear left perspective view of the design of FIG.

1.

FIG. 9 is a front left perspective view of the design of FIG.

1.

FIG. 10 is a front right perspective view of the design of FIG. 1; and,

FIG. 11 is a rear right perspective view of the design of FIG.

1.

1 Claim, 8 Drawing Sheets

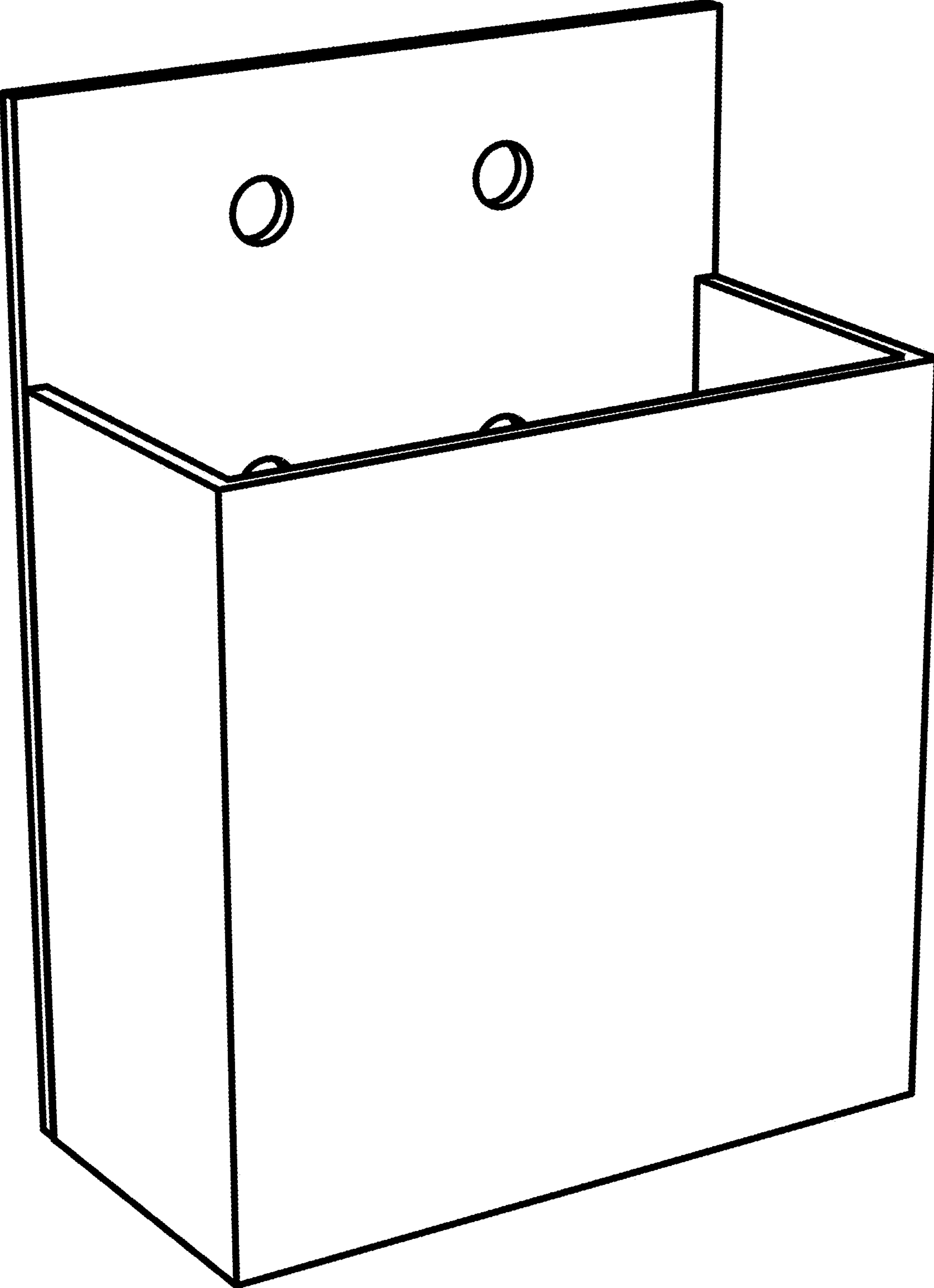


FIG. 1

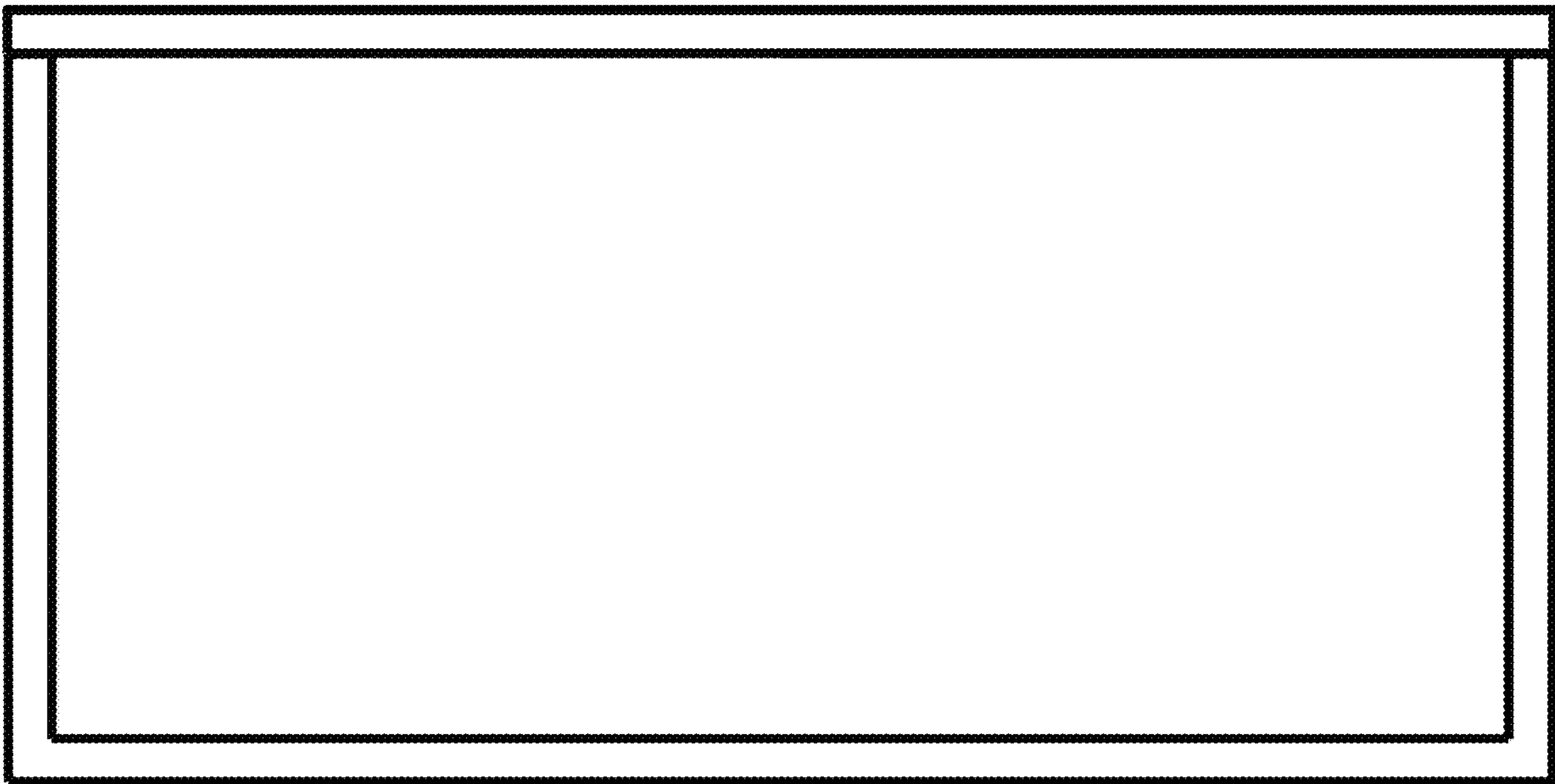


FIG.2

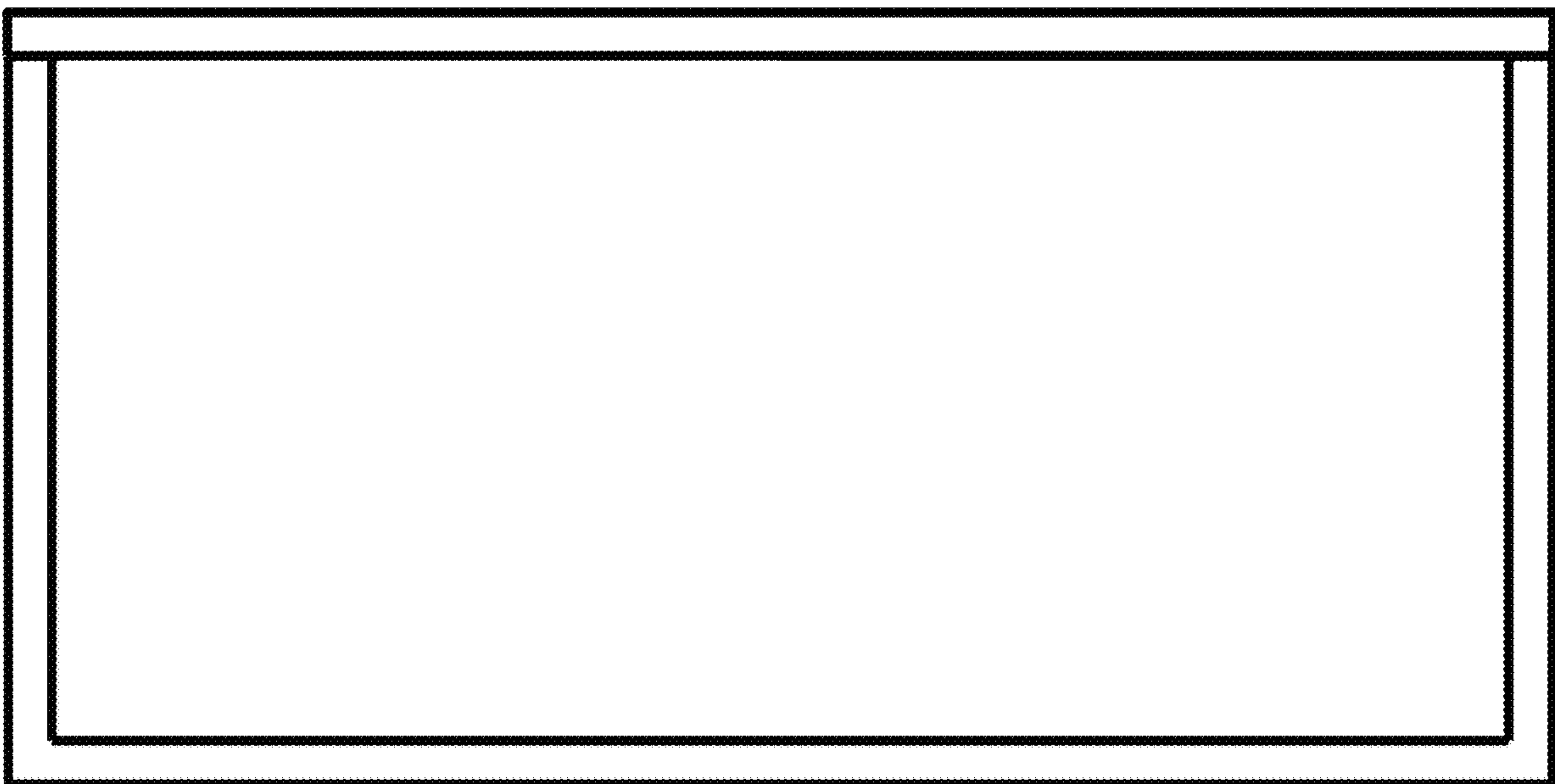


FIG.3

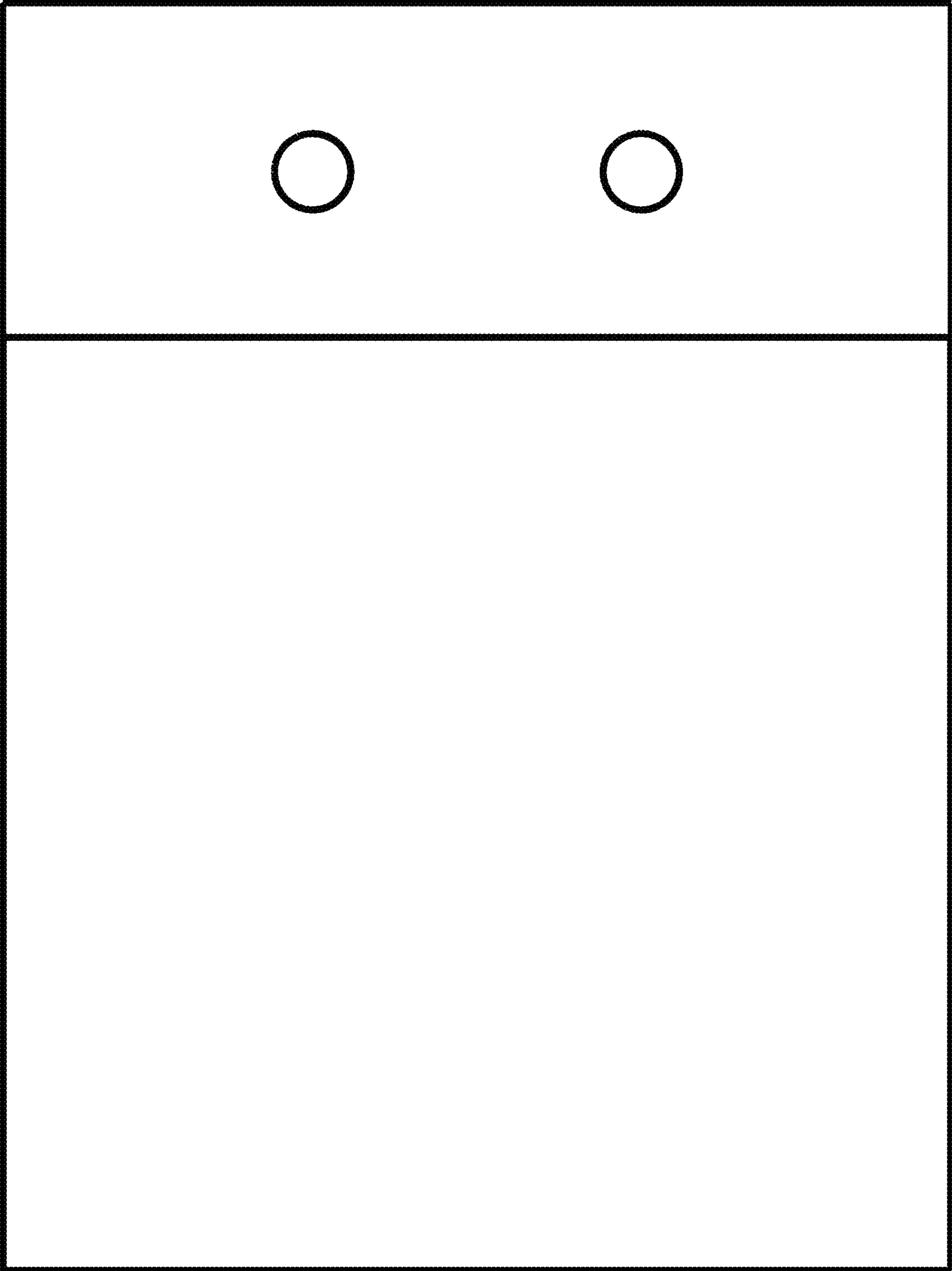


FIG. 4

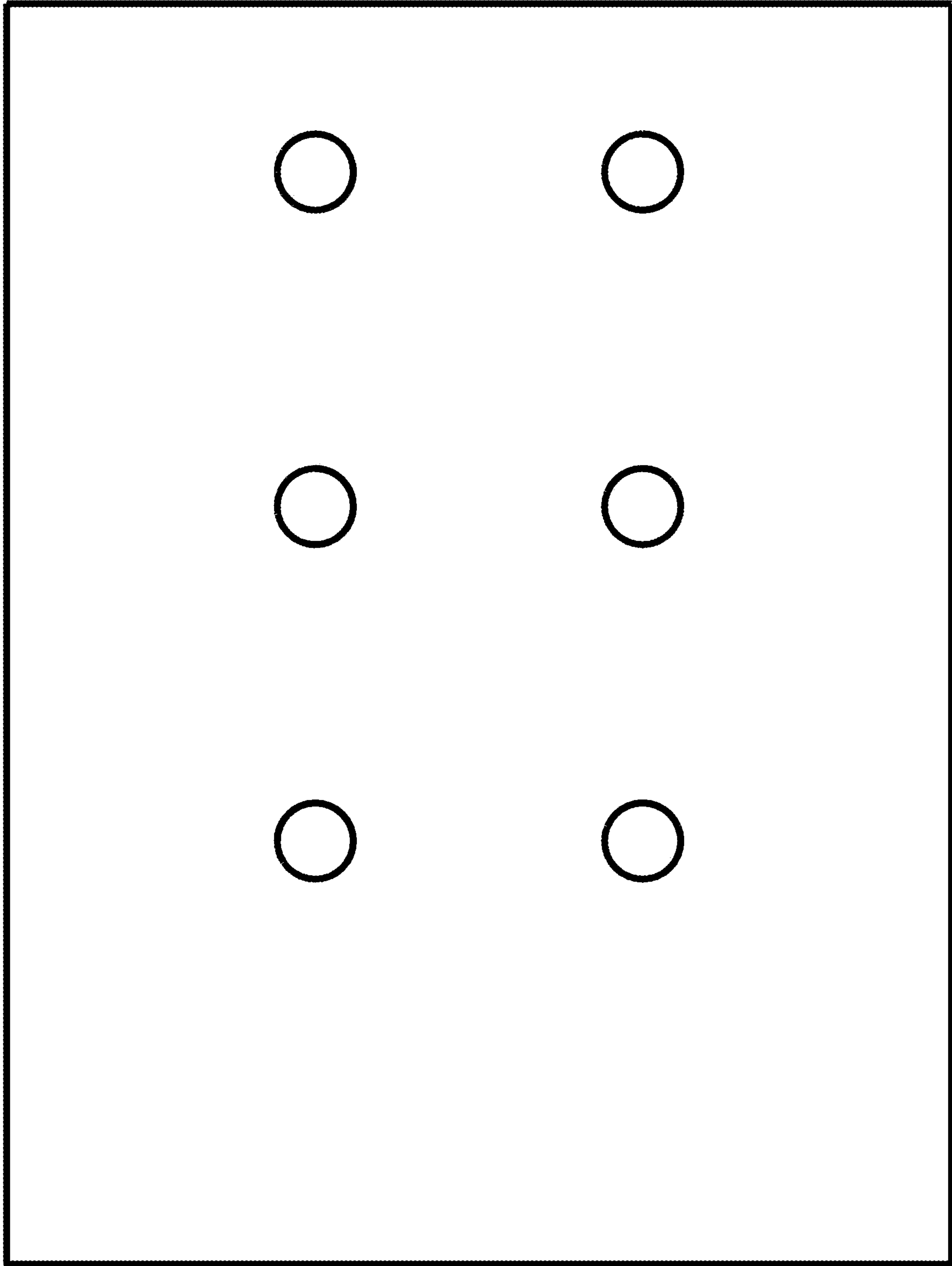


FIG. 5

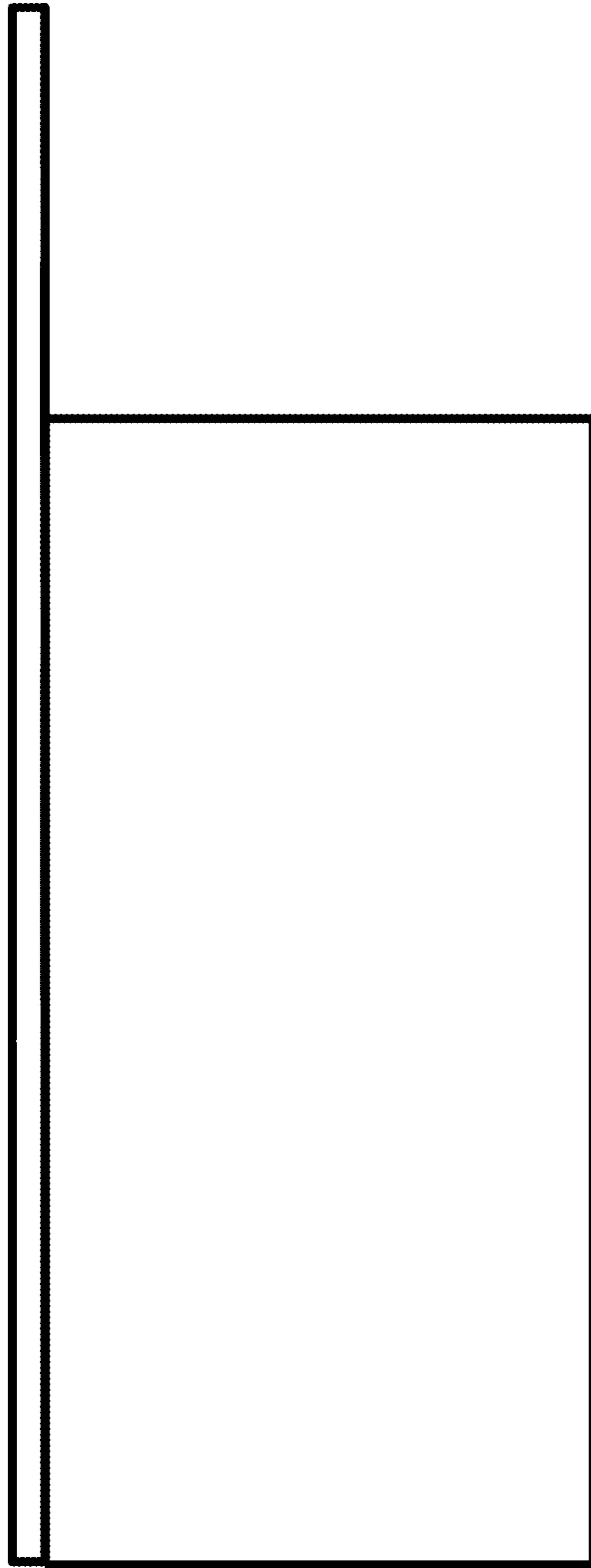


FIG. 6

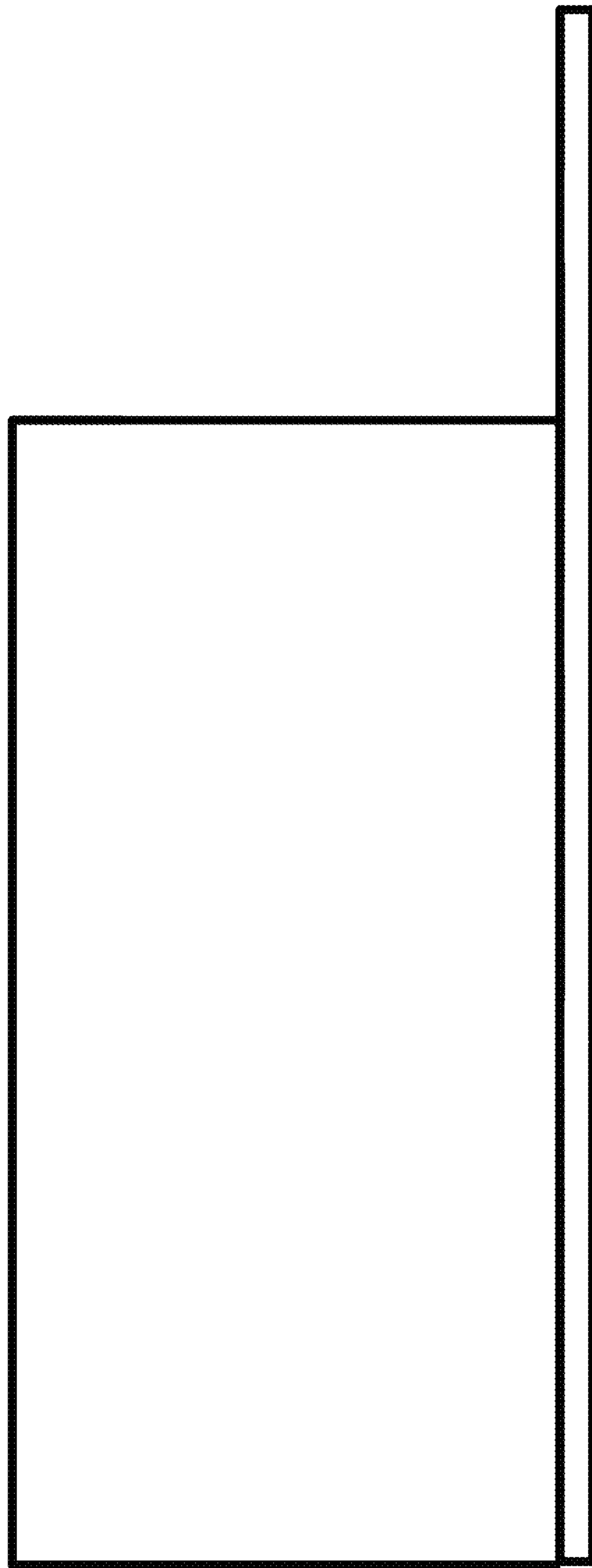


FIG. 7

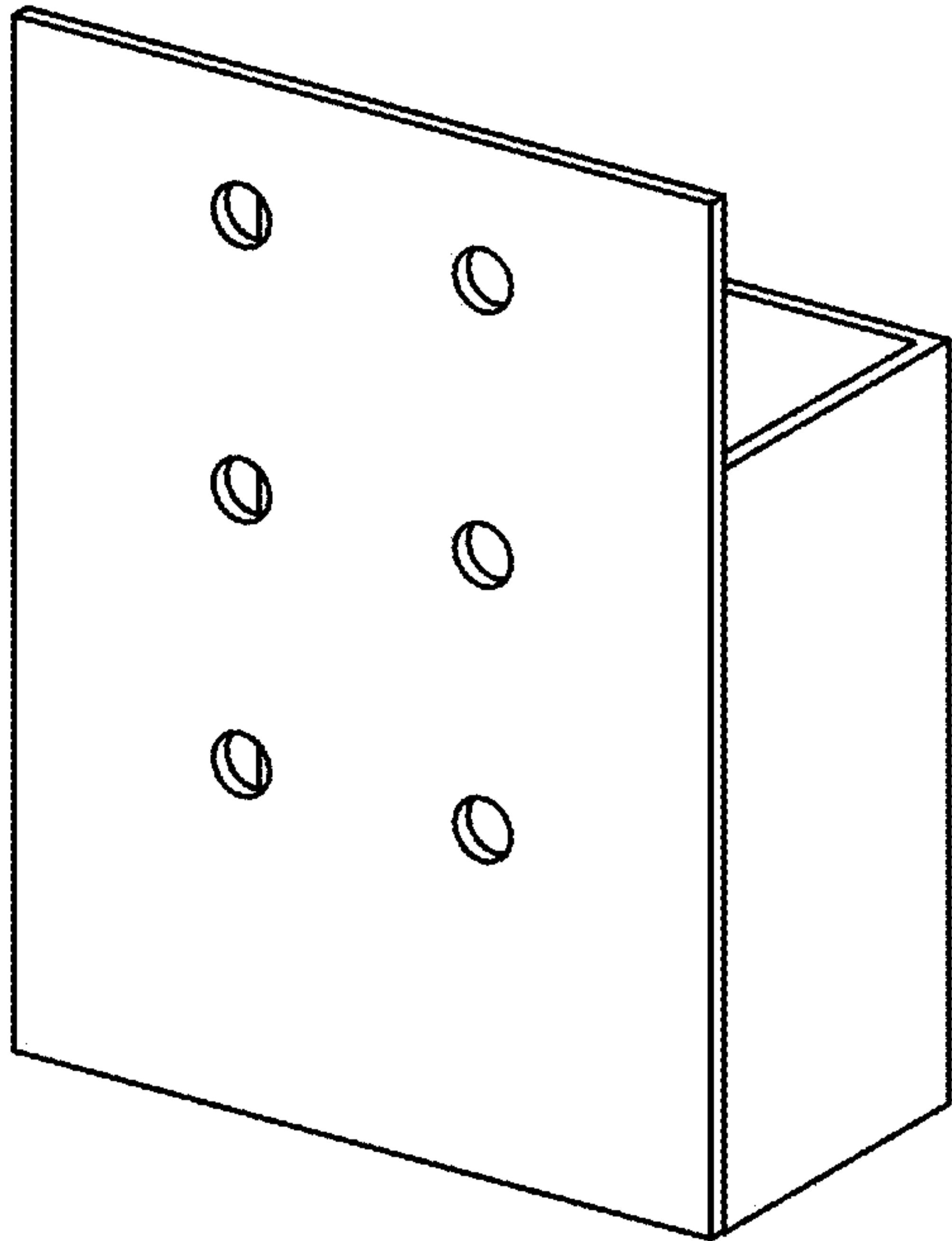


FIG. 8

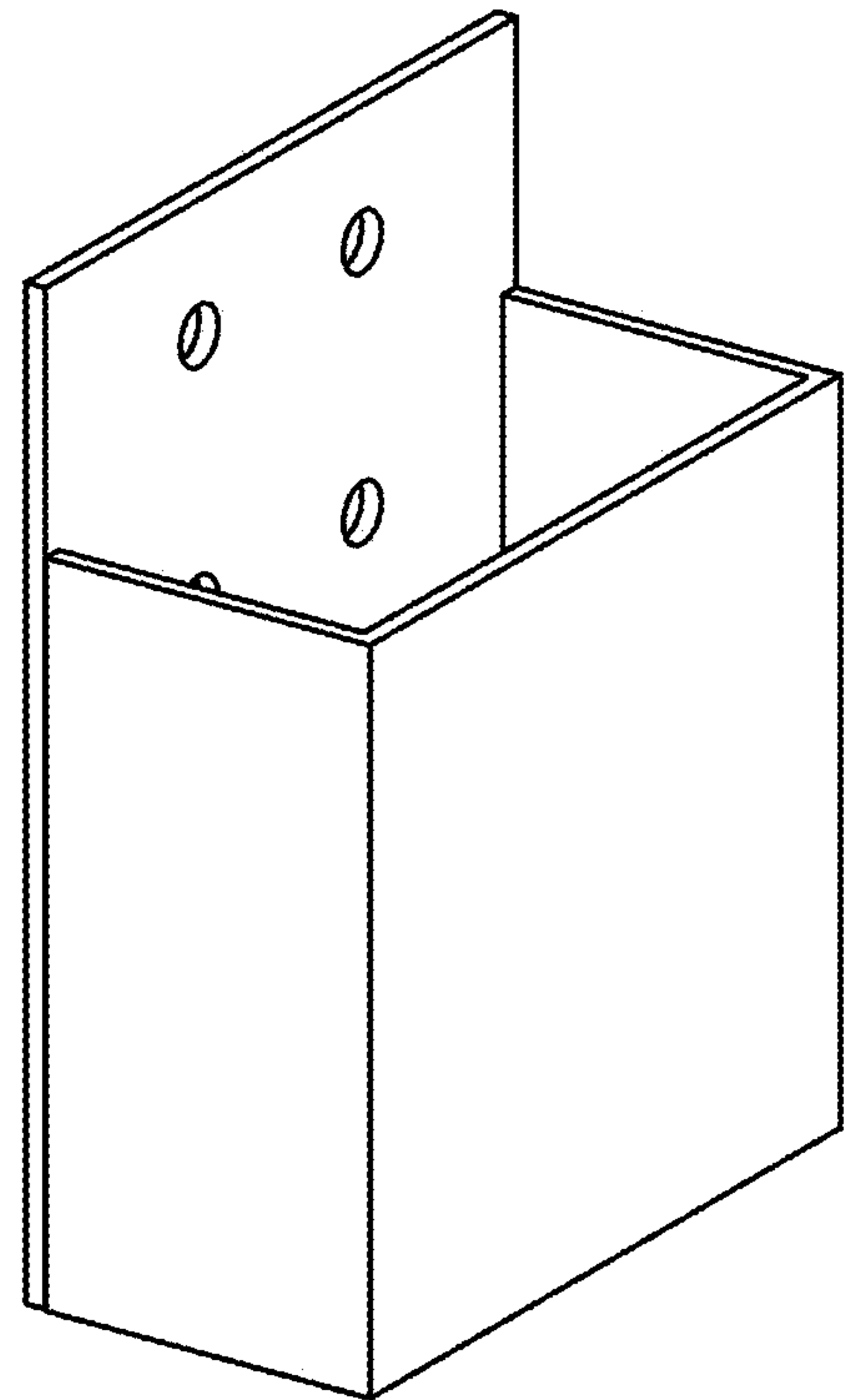


FIG. 9

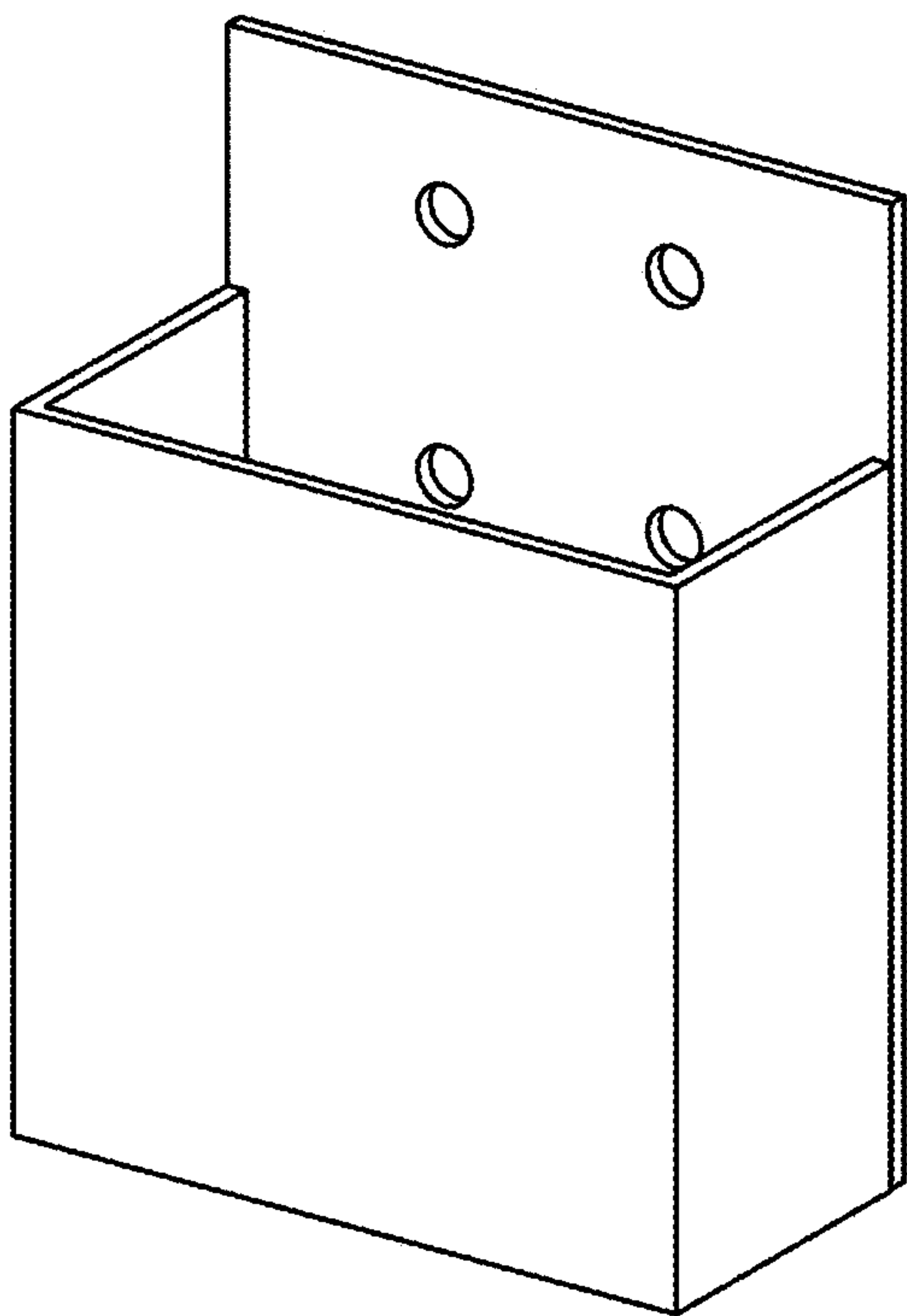


FIG. 10

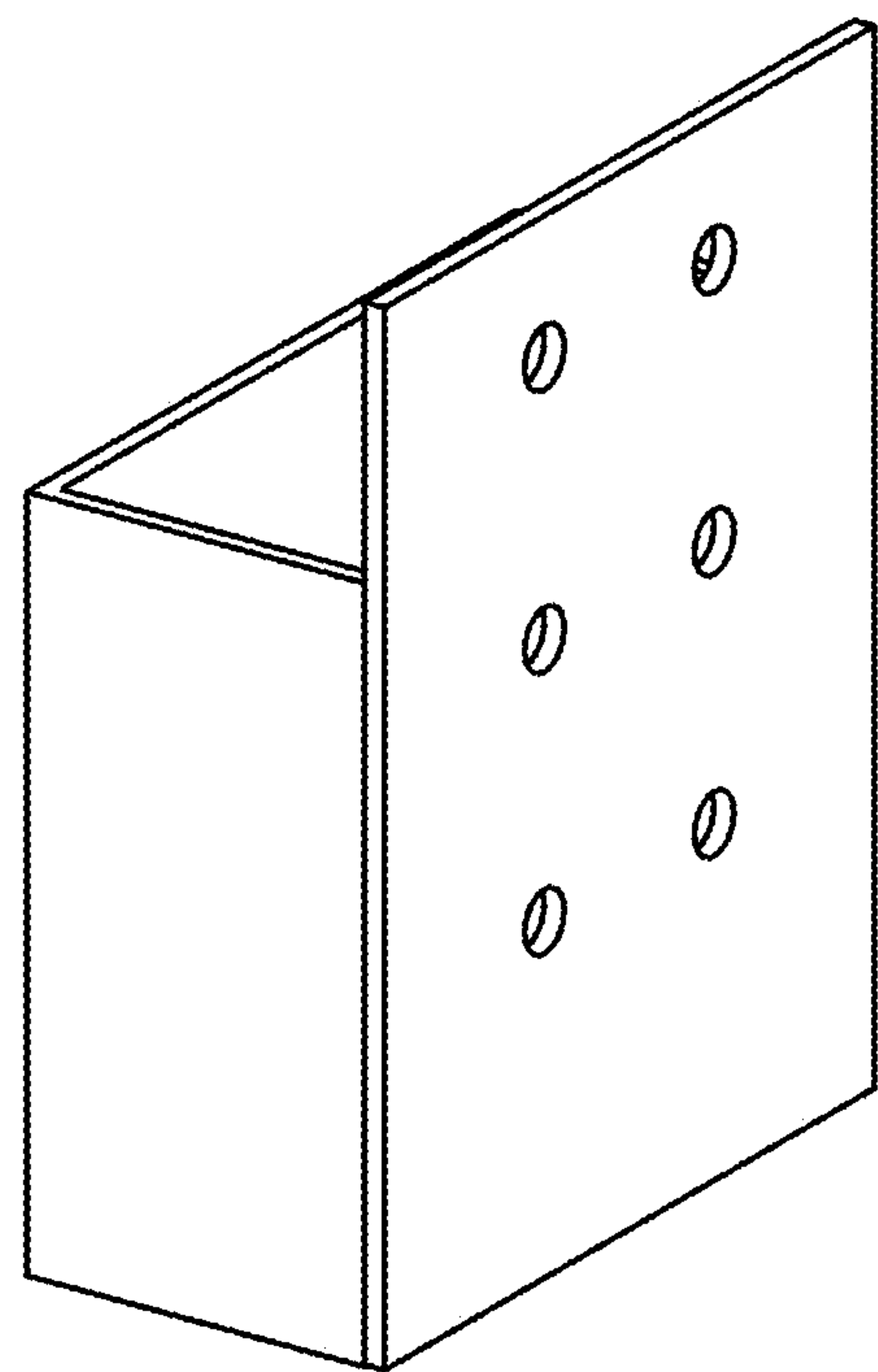


FIG. 11