



US00D938765S

(12) **United States Design Patent** (10) **Patent No.:** **US D938,765 S**  
**Mandel** (45) **Date of Patent:** **\*\* \*Dec. 21, 2021**

- (54) **BARWARE CART**
- (71) Applicant: **Godinger Silver Art Ltd.**, Ridgewood, NY (US)
- (72) Inventor: **Hershel Mandel**, Highland Mills, NY (US)
- (73) Assignee: **GODINGER SILVER ART LTD.**, Ridgewood, NY (US)
- (\*) Notice: This patent is subject to a terminal disclaimer.
- (\*\*) Term: **15 Years**
- (21) Appl. No.: **29/756,809**
- (22) Filed: **Oct. 30, 2020**

D344,382 S	2/1994	Conaway	
D354,186 S	1/1995	Grosfillex	
6,502,705 B1 *	1/2003	Ziegler	A47B 73/002 211/181.1
6,572,123 B2	6/2003	Calmeise	
D541,604 S *	5/2007	Goodman	D7/704
D557,520 S	12/2007	Samtani	
D602,314 S *	10/2009	Stravitz	D7/701
D616,271 S	5/2010	Goodman	
D620,120 S	7/2010	Lambalot	
D635,405 S *	4/2011	Tiemann	A47J 47/16 D7/600.4
D690,171 S	9/2013	Goodman	
D747,837 S	1/2016	Chang	
D780,397 S	2/2017	Nicoll	
D903,966 S *	12/2020	Li	D34/14
D904,087 S *	12/2020	Mandel	D6/682.2
2014/0084036 A1 *	3/2014	Hemann	B62B 5/00 224/411

**Related U.S. Application Data**

- (63) Continuation-in-part of application No. 29/648,883, filed on May 24, 2018, now Pat. No. Des. 904,087.
- (51) **LOC (13) Cl.** ..... **06-06**
- (52) **U.S. Cl.**  
USPC ..... **D6/682.2**; D34/14
- (58) **Field of Classification Search**  
USPC ..... D7/509-513, 550.1, 543, 602, 701, 704;  
D6/682, 682.1, 682.2, 672, 672.1;  
D34/12, 14  
CPC ..... A47G 23/02; A47G 23/0241; B62B 3/10;  
B62B 1/00; B62B 2202/67; B62B 3/104;  
B62B 5/0083  
See application file for complete search history.

**References Cited**

**U.S. PATENT DOCUMENTS**

D174,193 S	3/1955	Pinkus
2,886,186 A	5/1959	Hamilton
D250,409 S	11/1978	Quapp
D285,853 S	9/1986	Hubert

**OTHER PUBLICATIONS**

Forbes Industries, "Birdcage® Elite Luggage Cart," Sep. 1, 2020, 6 pages.

\* cited by examiner

*Primary Examiner* — Kelley A Donnelly

(74) *Attorney, Agent, or Firm* — Cozen O'Connor

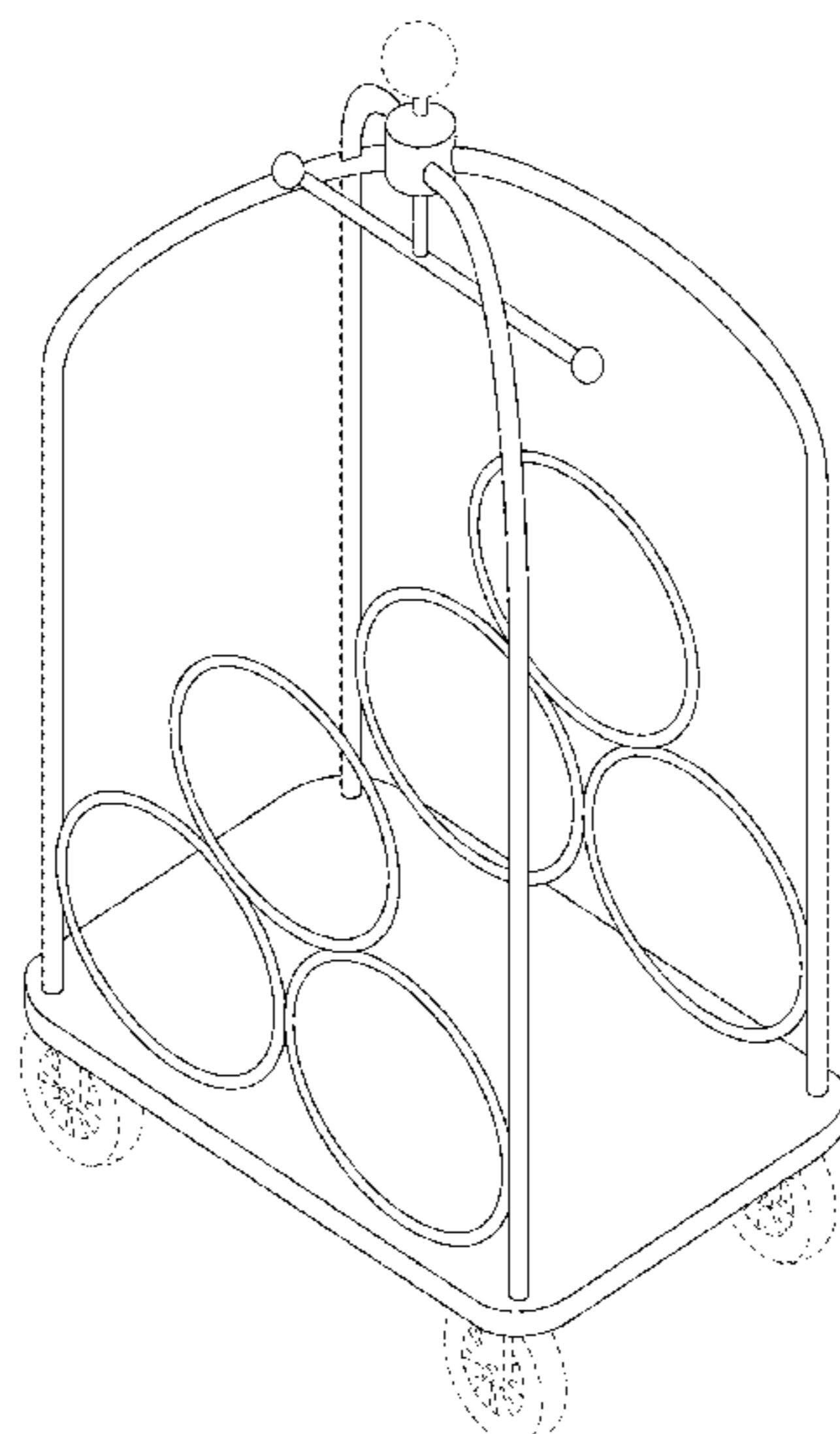
(57) **CLAIM**

The ornamental design for a barware cart, as shown and described.

**DESCRIPTION**

FIG. 1 is a perspective view of a barware cart according to an embodiment;  
FIG. 2 is a front view thereof;  
FIG. 3 is a side view thereof;  
FIG. 4 is a top view thereof; and,  
FIG. 5 is a bottom view thereof.  
The features shown in phantom do not make up part of the claimed designs.

**1 Claim, 5 Drawing Sheets**



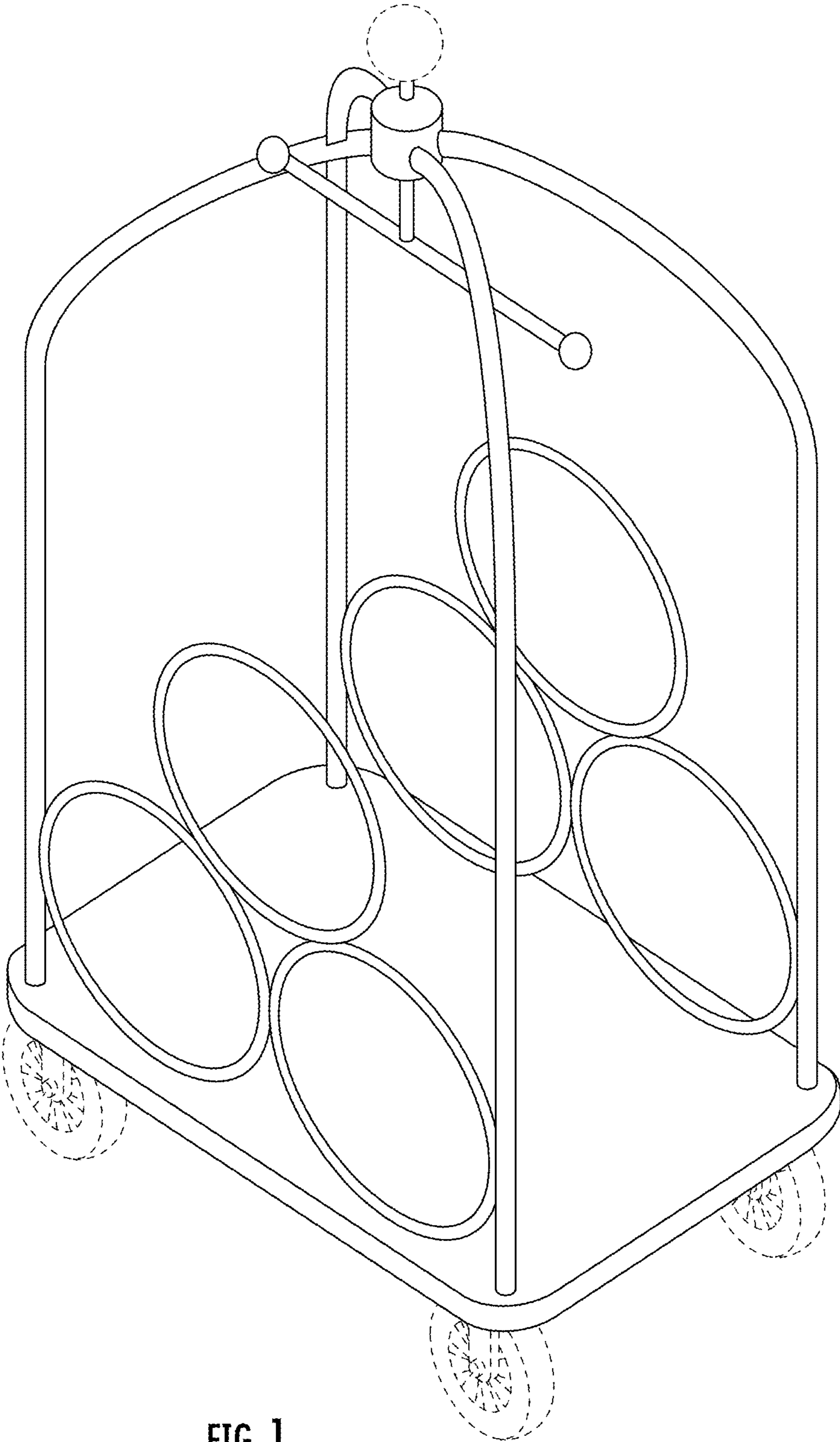


FIG. 1

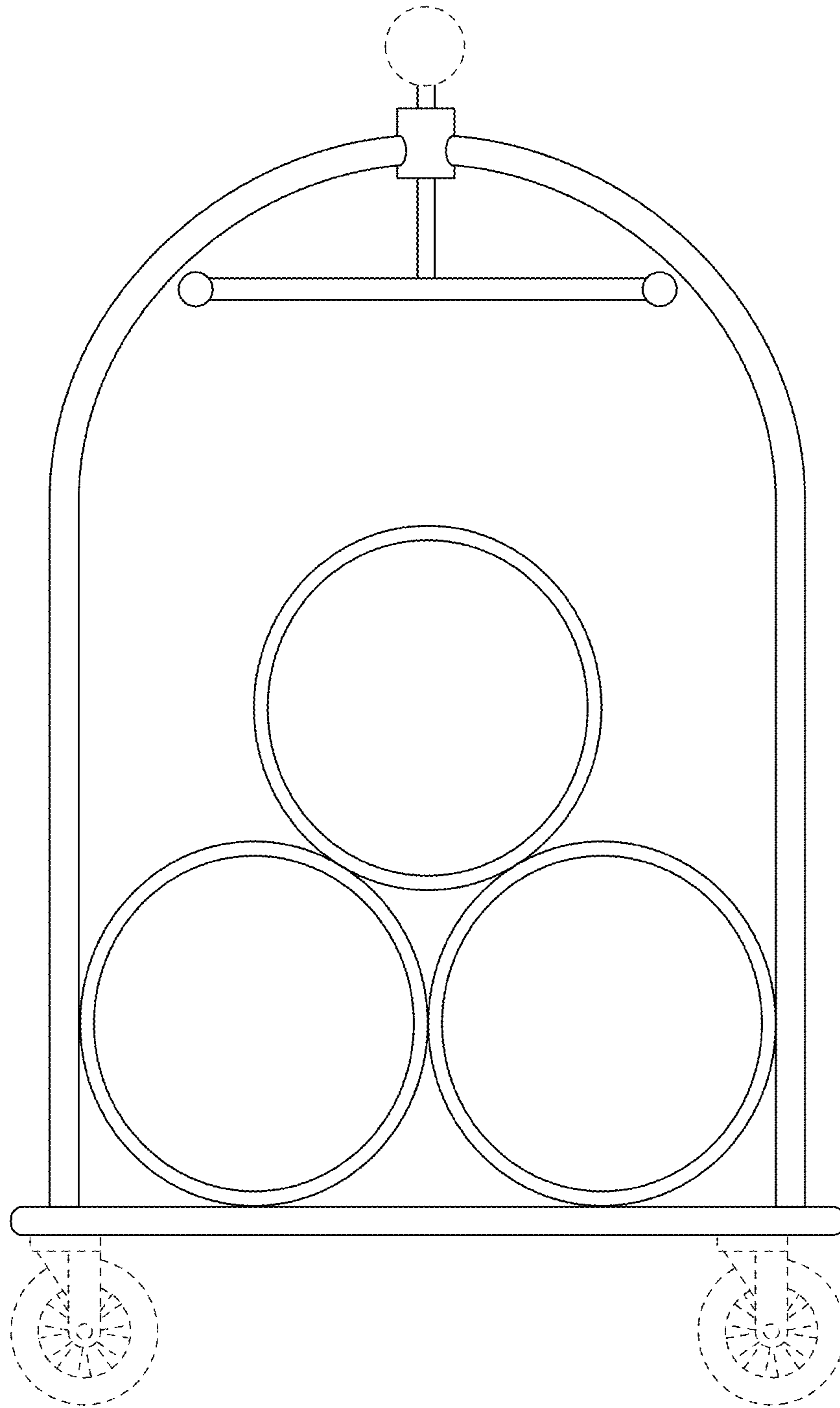


FIG. 2

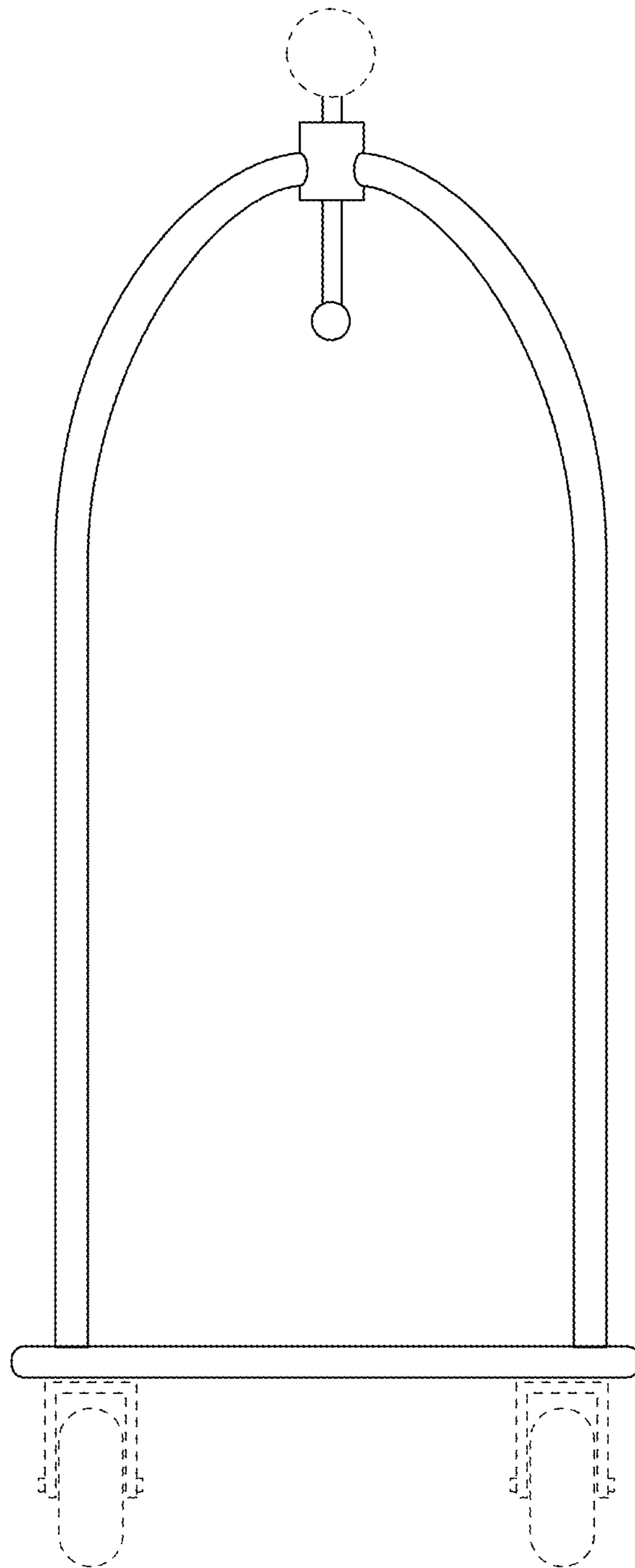


FIG. 3

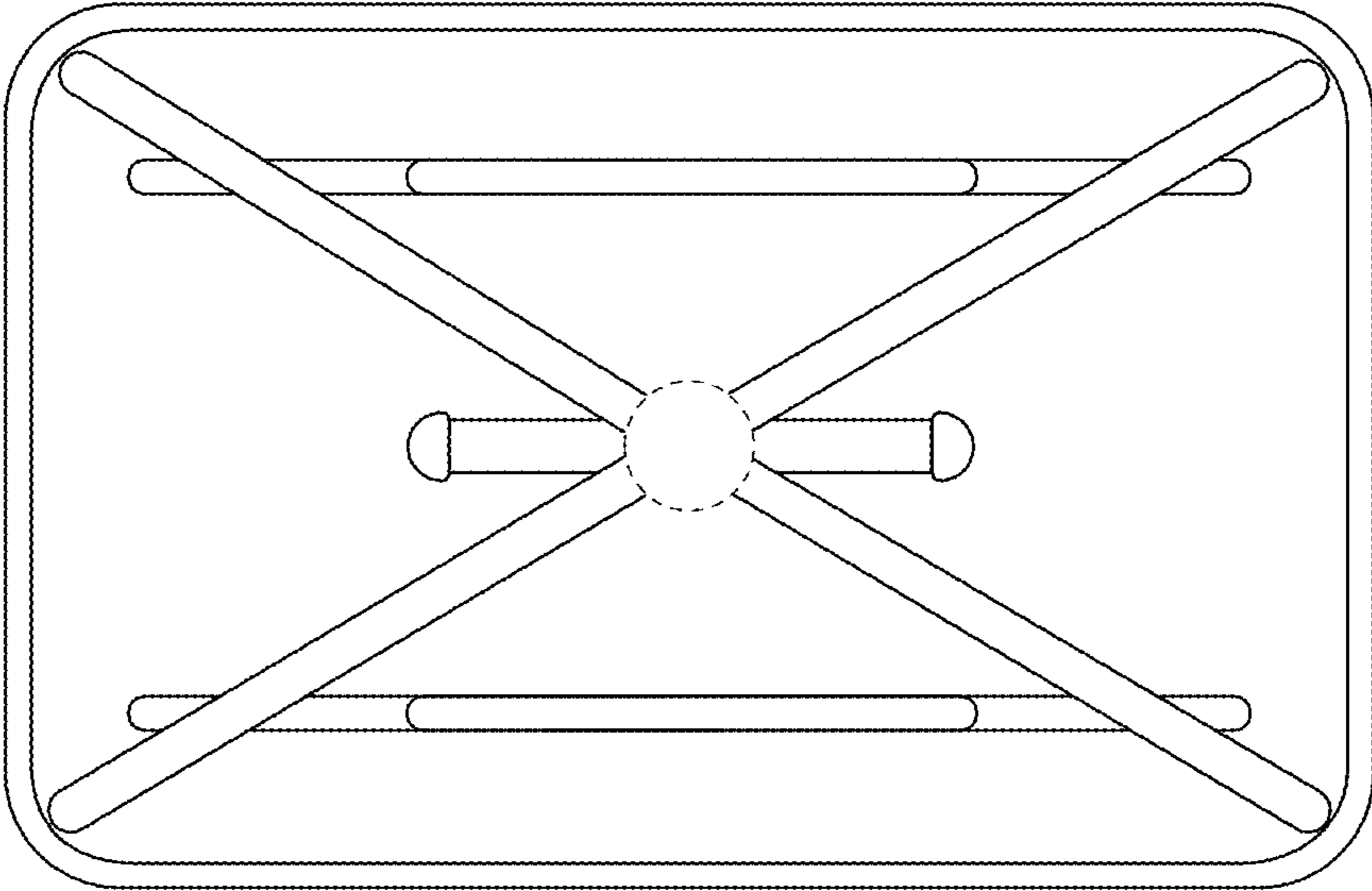


FIG. 4

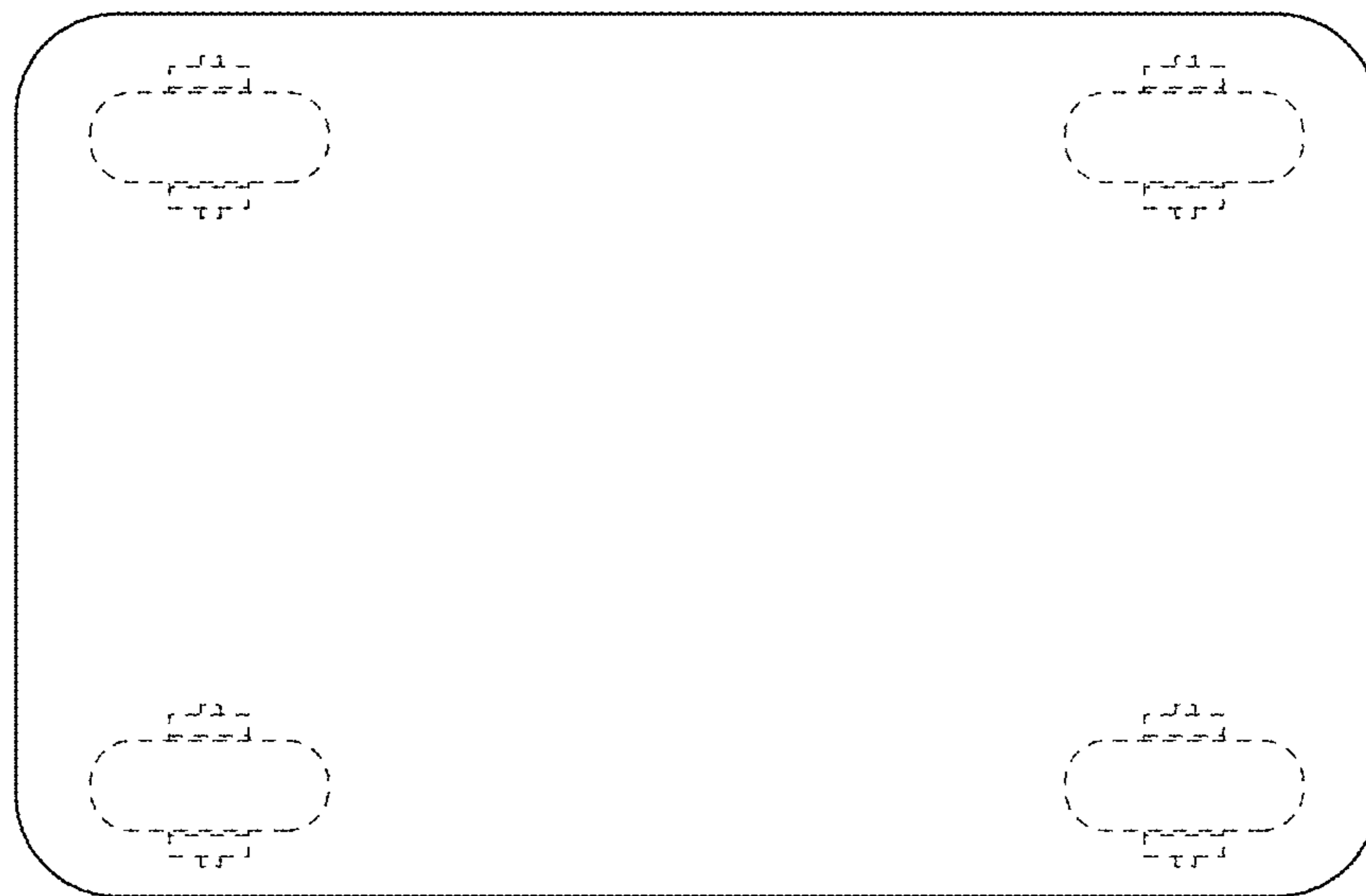


FIG. 5

UNITED STATES PATENT AND TRADEMARK OFFICE  
**CERTIFICATE OF CORRECTION**

PATENT NO. : D938,765 S  
APPLICATION NO. : 29/756809  
DATED : December 21, 2021  
INVENTOR(S) : Hershel Mandel

Page 1 of 3

It is certified that error appears in the above-identified patent and that said Letters Patent is hereby corrected as shown below:

On the Title Page

Delete the title page and substitute therefore with the attached title page consisting of the corrected illustrative figure.

In the Drawings

Please replace Fig. 1 with Fig. 1 as shown on the attached page.

Signed and Sealed this  
Fifteenth Day of March, 2022



Drew Hirshfeld  
*Performing the Functions and Duties of the  
Under Secretary of Commerce for Intellectual Property and  
Director of the United States Patent and Trademark Office*

(12) **United States Design Patent** (10) **Patent No.:** **US D938,765 S**  
**Mandel** (45) **Date of Patent:** **\*\* \*Dec. 21, 2021**

(54) **BARWARE CART**  
 (71) Applicant: **Godinger Silver Art Ltd.**, Ridgewood, NY (US)  
 (72) Inventor: **Hershel Mandel**, Highland Mills, NY (US)  
 (73) Assignee: **GODINGER SILVER ART LTD.**, Ridgewood, NY (US)  
 (\*) Notice: This patent is subject to a terminal disclaimer.  
 (\*\*) Term: **15 Years**  
 (21) Appl. No.: **29/756,809**  
 (22) Filed: **Oct. 30, 2020**

D344,382 S 2/1994 Conaway  
 D354,186 S 1/1995 Grosfillex  
 6,502,705 B1\* 1/2003 Ziegler ..... A47B 73/002  
 211/181.1  
 6,572,123 B2 6/2003 Calmeise  
 D541,604 S \* 5/2007 Goodman ..... D7/704  
 D557,520 S 12/2007 Samtani  
 D602,314 S \* 10/2009 Stravitz ..... D7/701  
 D616,271 S 5/2010 Goodman  
 D620,120 S 7/2010 Lambalot  
 D635,405 S \* 4/2011 Tiemann ..... A47J 47/16  
 D7/600.4  
 D690,171 S 9/2013 Goodman  
 D747,837 S 1/2016 Chang  
 D780,397 S 2/2017 Nicoll  
 D903,966 S \* 12/2020 Li ..... D34/14  
 D904,087 S \* 12/2020 Mandel ..... D6/682.2  
 2014/0084036 A1\* 3/2014 Hemann ..... B62B 5/00  
 224/411

**Related U.S. Application Data**

(63) Continuation-in-part of application No. 29/648,883, filed on May 24, 2018, now Pat. No. Des. 904,087.  
 (51) **LOC (13) Cl.** ..... **06-06**  
 (52) **U.S. Cl.**  
 USPC ..... **D6/682.2; D34/14**  
 (58) **Field of Classification Search**  
 USPC ..... D7/509-513, 550.1, 543, 602, 701, 704;  
 D6/682, 682.1, 682.2, 672, 672.1;  
 D34/12, 14  
 CPC ..... A47G 23/02; A47G 23/0241; B62B 3/10;  
 B62B 1/00; B62B 2202/67; B62B 3/104;  
 B62B 5/0083  
 See application file for complete search history.

**References Cited**

**U.S. PATENT DOCUMENTS**

D174,193 S 3/1955 Pinkus  
 2,886,186 A 5/1959 Hamilton  
 D250,409 S 11/1978 Quapp  
 D285,853 S 9/1986 Hubert

**OTHER PUBLICATIONS**

Forbes Industries, "Birdcage® Elite Luggage Cart," Sep. 1, 2020, 6 pages.

\* cited by examiner

*Primary Examiner* — Kelley A Donnelly

(74) *Attorney, Agent, or Firm* — Cozen O'Connor

(57) **CLAIM**

The ornamental design for a barware cart, as shown and described.

**DESCRIPTION**

FIG. 1 is a perspective view of a barware cart according to an embodiment;  
 FIG. 2 is a front view thereof;  
 FIG. 3 is a side view thereof;  
 FIG. 4 is a top view thereof; and,  
 FIG. 5 is a bottom view thereof.  
 The features shown in phantom do not make up part of the claimed designs.

**1 Claim, 5 Drawing Sheets**

