



US00D938764S

(12) **United States Design Patent**
Chung

(10) **Patent No.:** **US D938,764 S**

(45) **Date of Patent:** **** Dec. 21, 2021**

- (54) **GARMENT DISPLAY RACK**
- (71) Applicant: **United Colors International Limited,**
Kwai Chung (HK)
- (72) Inventor: **Dennis Ming Kwan Chung,** Hong
Kong (HK)
- (73) Assignee: **UNITED COLORS**
INTERNATIONAL LIMITED, Kwai
Chung (HK)
- (**) Term: **15 Years**
- (21) Appl. No.: **29/672,373**
- (22) Filed: **Dec. 5, 2018**
- (51) **LOC (13) Cl.** **20-02**
- (52) **U.S. Cl.**
USPC **D6/681**
- (58) **Field of Classification Search**
USPC D6/672, 673, 675, 675.5, 681, 681.1;
D32/58
CPC A47B 43/00; A47B 45/00; A47B 46/00;
A47B 47/00; A47B 47/005; A47B 47/02;
A47B 47/021; A47B 47/04; A47B 61/02;
A47F 5/00; A47F 5/0006; A47F 5/0031;
A47F 5/01; A47F 5/10; A47F 5/13; A47F
7/19; A47F 7/24; A47G 25/06
See application file for complete search history.

(56) **References Cited**

U.S. PATENT DOCUMENTS

- D151,272 S 10/1948 Kipp
- 2,996,194 A * 8/1961 Huck A47F 5/108
211/202
- 3,298,537 A * 1/1967 Di Marco A47F 7/24
211/200
- 3,303,938 A * 2/1967 Solomon A47F 7/24
211/182

- 3,318,462 A * 5/1967 Spiegl A47F 7/24
211/190
- 3,371,797 A * 3/1968 Caligiuri A47F 7/24
211/204
- 3,499,541 A * 3/1970 Mackie A47B 45/00
211/134
- 3,503,525 A * 3/1970 Loebner A47G 25/0664
211/206
- 3,532,224 A 10/1970 Grubb et al.
- 3,561,609 A * 2/1971 Doherty F16B 7/00
211/206
- 3,620,377 A * 11/1971 Holtz A47G 25/0664
211/206
- 3,705,731 A * 12/1972 Berchak B62B 3/02
280/651
- 3,831,768 A * 8/1974 Keller A47F 7/24
211/1
- 3,918,591 A * 11/1975 Cooper A47F 5/108
211/204
- 3,921,814 A * 11/1975 Solomon A47F 7/24
211/162
- 4,054,209 A * 10/1977 Solomon A47F 7/24
211/208
- 4,175,602 A * 11/1979 Cavalaris A45C 13/34
141/390
- D271,732 S * 12/1983 Ytter D6/332
- D289,243 S * 4/1987 Arnold D6/709
- D304,528 S * 11/1989 Handler D6/681.1

(Continued)

Primary Examiner — Steven J Czyz

(74) *Attorney, Agent, or Firm* — Milord A. Keshishian

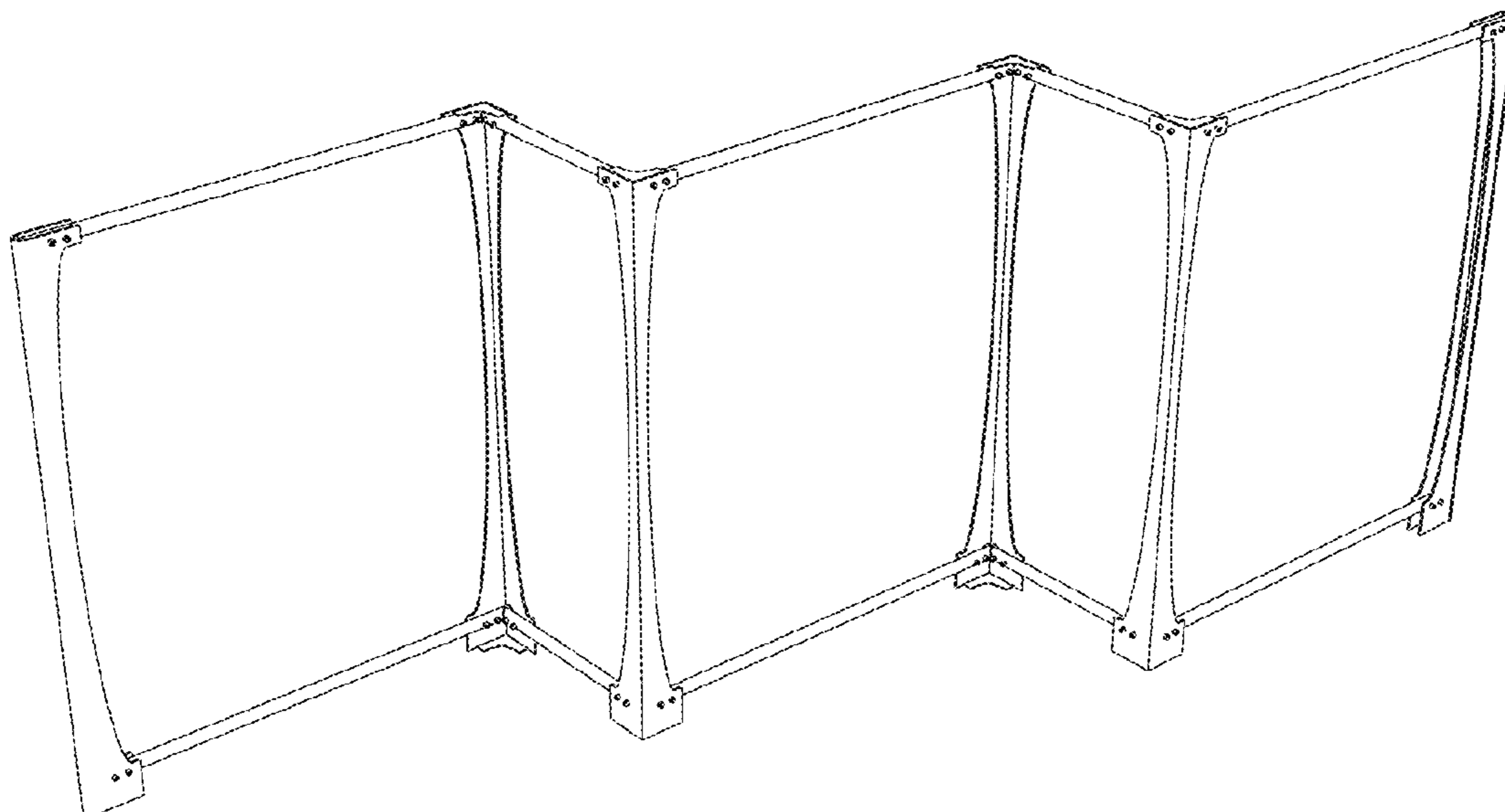
(57) **CLAIM**

The ornamental design for a garment display rack, as shown and described.

DESCRIPTION

FIG. 1 is a top view of the garment display rack;
FIG. 2 is a front view thereof;
FIG. 3 is a side view thereof; and,
FIG. 4 is a front perspective view thereof.

1 Claim, 2 Drawing Sheets



(56)

References Cited

U.S. PATENT DOCUMENTS

5,167,564 A * 12/1992 Lord A63H 3/52
211/123
D346,081 S * 4/1994 Turner D6/681.1
5,617,962 A * 4/1997 Chen A47G 25/0664
211/204
5,718,344 A * 2/1998 Joldeson A47F 5/13
211/182
D417,536 S * 12/1999 Sum D32/58
6,283,314 B1 * 9/2001 Loguercio D06F 57/06
211/200
D450,948 S * 11/2001 Stafford D6/681.1
D455,016 S * 4/2002 Newhouse D6/332
D456,167 S * 4/2002 Harwanko D6/548
6,401,948 B1 * 6/2002 Huang A47F 5/137
211/206
6,488,160 B2 * 12/2002 Wang A47F 7/19
211/195
D470,685 S * 2/2003 Chang D6/681.1
D474,350 S * 5/2003 Sardis D6/681.1
D476,167 S * 6/2003 Klein D6/681.1
6,644,484 B1 * 11/2003 Sardis A47B 43/00
211/189
D491,742 S * 6/2004 Harwanko D6/681.1
D495,523 S * 9/2004 Harwanko D6/681.1
D496,798 S * 10/2004 Berg D6/332
D508,169 S * 8/2005 Berg D6/332
D515,844 S * 2/2006 Pryor D6/681
7,077,277 B2 * 7/2006 Wang A47B 91/02
182/186.7
D537,266 S * 2/2007 Ward D6/681.1
D546,013 S * 7/2007 Pong D32/58
D637,840 S * 5/2011 Stephens D6/513
7,946,434 B1 * 5/2011 Greenspon A47G 25/0685
211/85.3
D708,873 S * 7/2014 Wehner D06F 57/10
D6/675.2
8,936,166 B2 * 1/2015 Hornsby A47F 5/10
211/85.3
D729,554 S * 5/2015 Denby D6/681
D736,548 S * 8/2015 Hornsby D6/681.1
D749,879 S * 2/2016 Wall D6/680.3
D750,401 S * 3/2016 Ruiz D6/681

D753,940 S * 4/2016 Ruiz D6/681
D777,483 S * 1/2017 Bittle D6/681
D790,892 S * 7/2017 Chung D6/681
9,765,470 B1 * 9/2017 Dufresne A47F 5/10
D801,613 S * 10/2017 Felsenthal A47G 25/0664
D32/58
D808,101 S * 1/2018 Greenspon D32/58
D809,835 S * 2/2018 Greenspon D6/681
D819,374 S * 6/2018 Kuehn D6/681.2
D825,128 S * 8/2018 Nolen, Sr. D32/58
D827,239 S * 8/2018 Xie D32/58
D827,342 S * 9/2018 Stukenberg D6/681
D829,473 S * 10/2018 Mical D6/681
10,264,878 B1 * 4/2019 Liu A47B 88/40
D874,191 S * 2/2020 Qi D6/664
D887,188 S * 6/2020 Felsenthal D6/681.2
D889,171 S * 7/2020 Cao D6/681.2
D895,331 S * 9/2020 Felsenthal D6/678.4
D901,952 S * 11/2020 Tuang D6/681
D909,104 S * 2/2021 Lai D6/681.2
D910,351 S * 2/2021 Davis D6/681.2
D911,085 S * 2/2021 Song D6/681.2
D917,212 S * 4/2021 Du D6/681.2
D923,274 S * 6/2021 Cui D32/55
2001/0001199 A1 * 5/2001 Sabounjian D06F 57/08
211/202
2004/0050814 A1 * 3/2004 Roush A47F 5/01
211/201
2004/0074858 A1 * 4/2004 Thuma D06F 57/00
211/202
2007/0138119 A1 * 6/2007 Schwerdlin D06F 57/10
211/202
2008/0185358 A1 * 8/2008 Hernandez D06F 57/12
211/195
2010/0294900 A1 * 11/2010 Maurer A01M 31/02
248/156
2011/0233163 A1 * 9/2011 Raddatz D06F 57/12
211/85.3
2015/0008201 A1 * 1/2015 Qiang D06F 57/06
211/85.3
2017/0196380 A1 * 7/2017 Chapman A47K 3/38
2018/0160801 A1 * 6/2018 Felsenthal A47B 47/00
2018/0163339 A1 * 6/2018 Greenspon D06F 57/08
2018/0298547 A1 * 10/2018 Felsenthal D06F 57/08

* cited by examiner

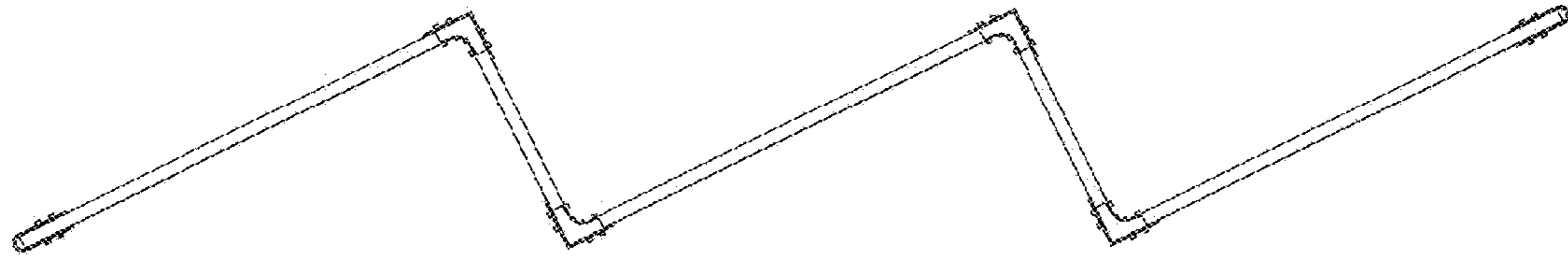


FIG. 1

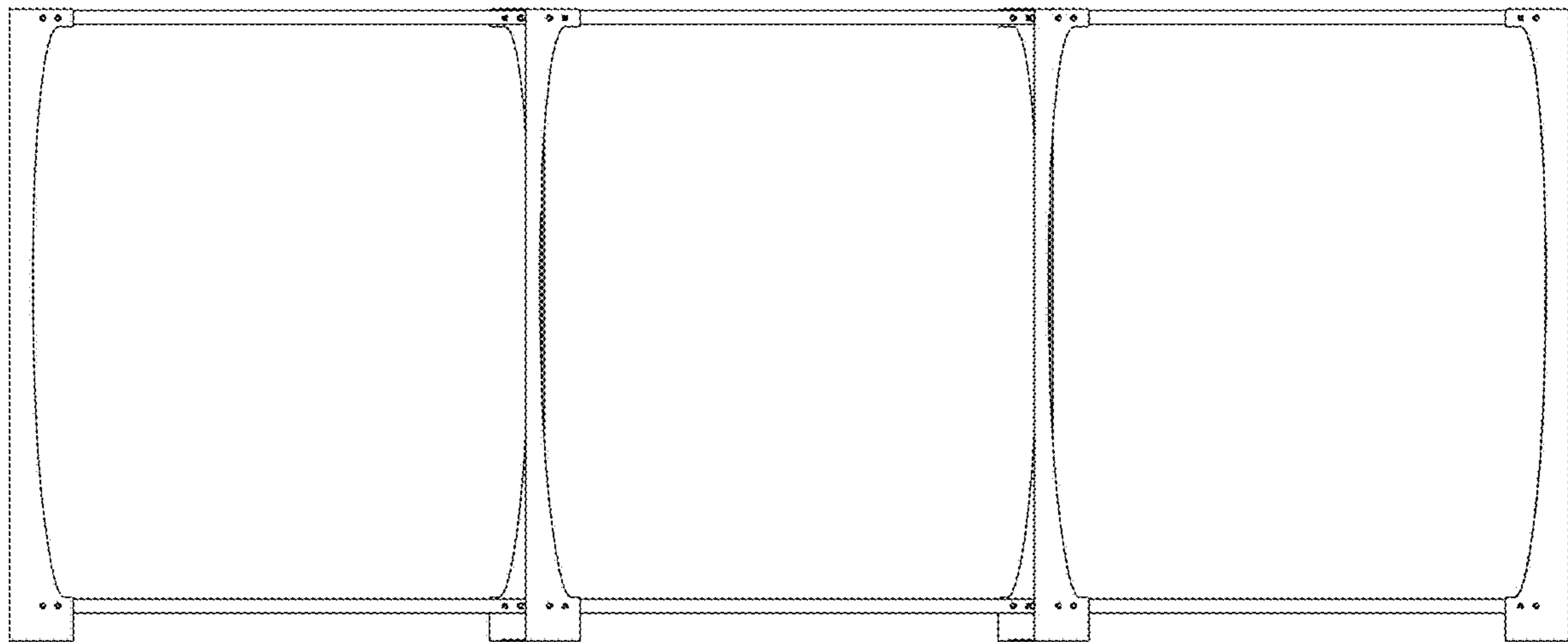


FIG. 2

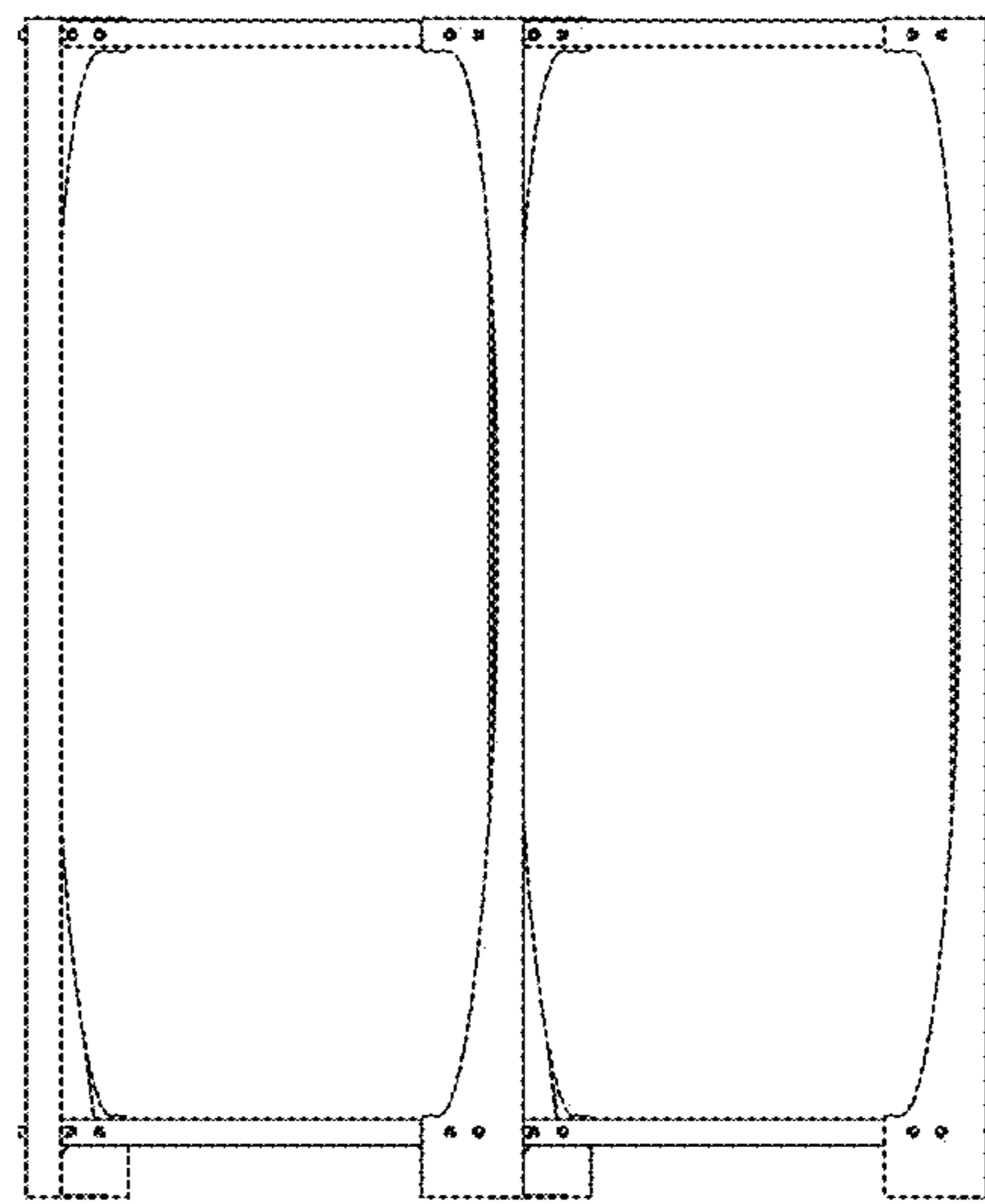


FIG. 3

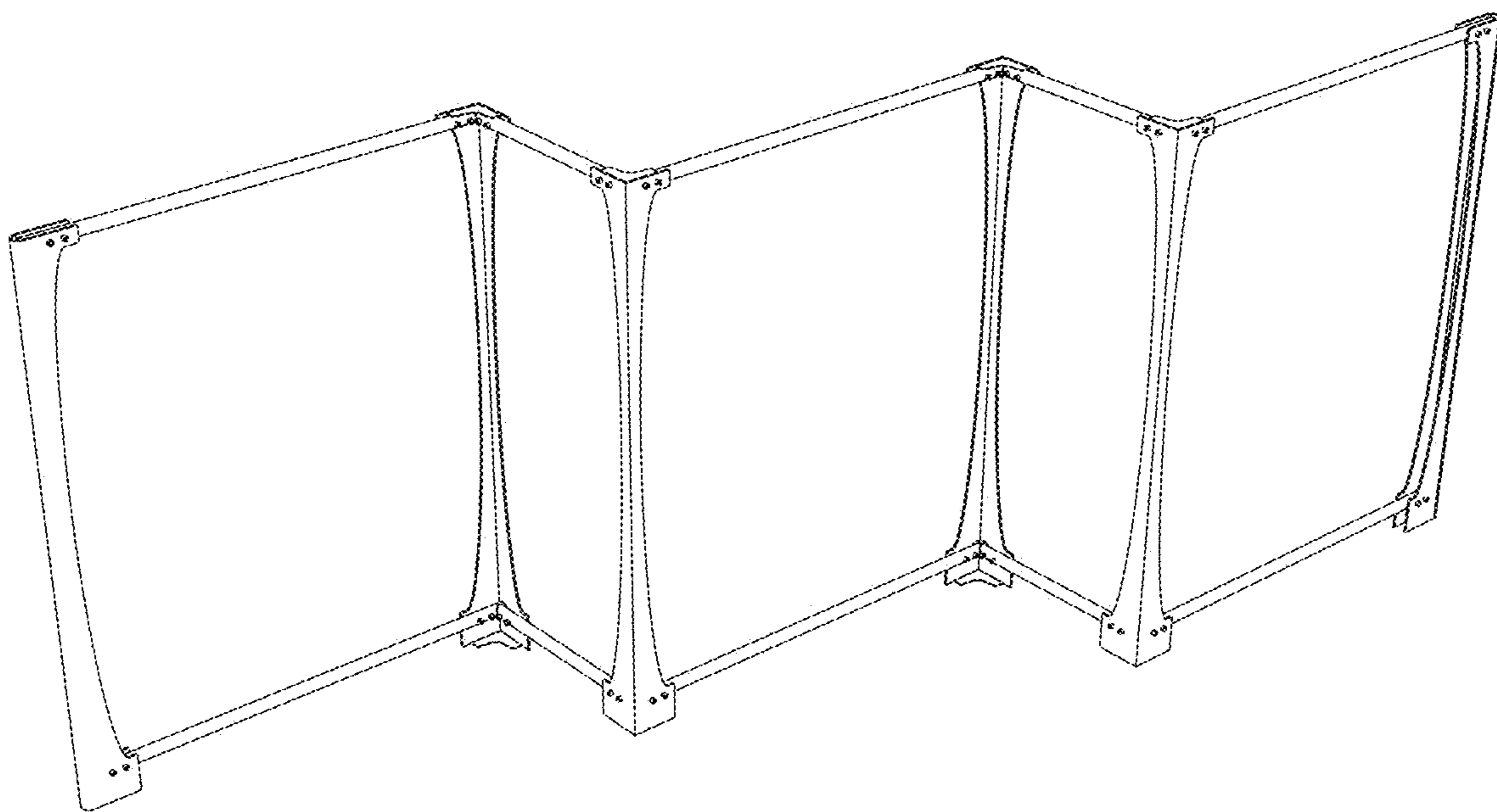


FIG. 4