



US00D938763S

(12) **United States Design Patent** (10) **Patent No.:** **US D938,763 S**
Lin (45) **Date of Patent:** **** Dec. 21, 2021**

(54) **SHOE RACK**
(71) Applicant: **Lili Lin**, Guangdong (CN)
(72) Inventor: **Lili Lin**, Guangdong (CN)
(**) Term: **15 Years**
(21) Appl. No.: **29/776,409**
(22) Filed: **Mar. 30, 2021**
(51) **LOC (13) Cl.** **06-06**
(52) **U.S. Cl.**
USPC **D6/675.1; D6/682.1**
(58) **Field of Classification Search**
USPC D6/672, 675, 675.1, 675.2, 675.3, 675.4,
D6/675.5, 682, 682.1
CPC ... A47F 7/00; A47F 7/08; A47B 61/00; A47B
61/08
See application file for complete search history.

D436,760 S * 1/2001 Dow D6/675.1
D451,306 S * 12/2001 Dow D6/675.1
D461,333 S * 8/2002 Malik
D488,003 S * 4/2004 Malik
7,207,449 B1 * 4/2007 Greco H05K 9/0079
211/134
D654,287 S * 2/2012 Iulita D6/675
D692,012 S * 10/2013 Thorne D14/447
D731,822 S * 6/2015 Klein D6/675
D830,087 S * 10/2018 Greenspon D6/675

* cited by examiner

Primary Examiner — Kelley A Donnelly
(74) *Attorney, Agent, or Firm* — ScienBiziP, P.C.

(57) **CLAIM**

The ornamental design for a shoe rack, as shown and described.

DESCRIPTION

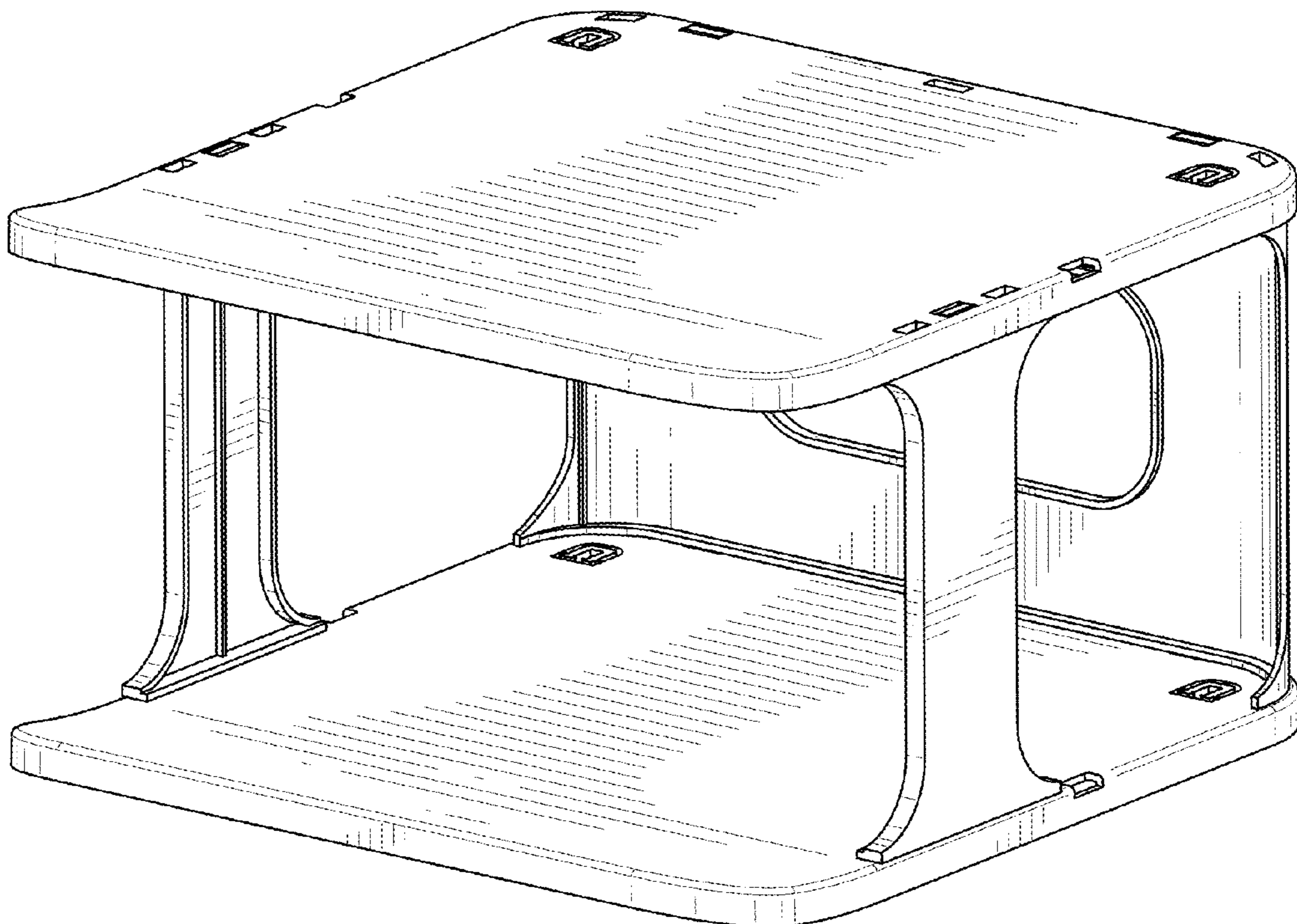
FIG. 1 is a front, right, and top perspective view of a shoe rack, showing my design.
FIG. 2 is a front elevation view thereof.
FIG. 3 is a rear elevation view thereof.
FIG. 4 is a left side elevation view thereof.
FIG. 5 is a right side elevation view thereof.
FIG. 6 is a top plan view thereof; and,
FIG. 7 is a bottom plan view thereof.
The broken lines shown in the drawings are included for the purpose of illustrating portions of the shoe rack that form no part of the claimed design.

(56) **References Cited**

U.S. PATENT DOCUMENTS

D226,647 S * 4/1973 Longato D6/675.1
D234,894 S * 4/1975 Vandenbeuck D6/675.1
D279,440 S * 7/1985 Evenson D19/90
D284,049 S * 6/1986 Nathan D19/92
D285,632 S * 9/1986 Axhamre D18/59
D315,461 S * 3/1991 Hilton D6/675
D326,199 S * 5/1992 Heiligenthal D6/675
D327,998 S * 7/1992 Williams D6/406.6
D404,599 S * 1/1999 Douglas D6/705

1 Claim, 7 Drawing Sheets



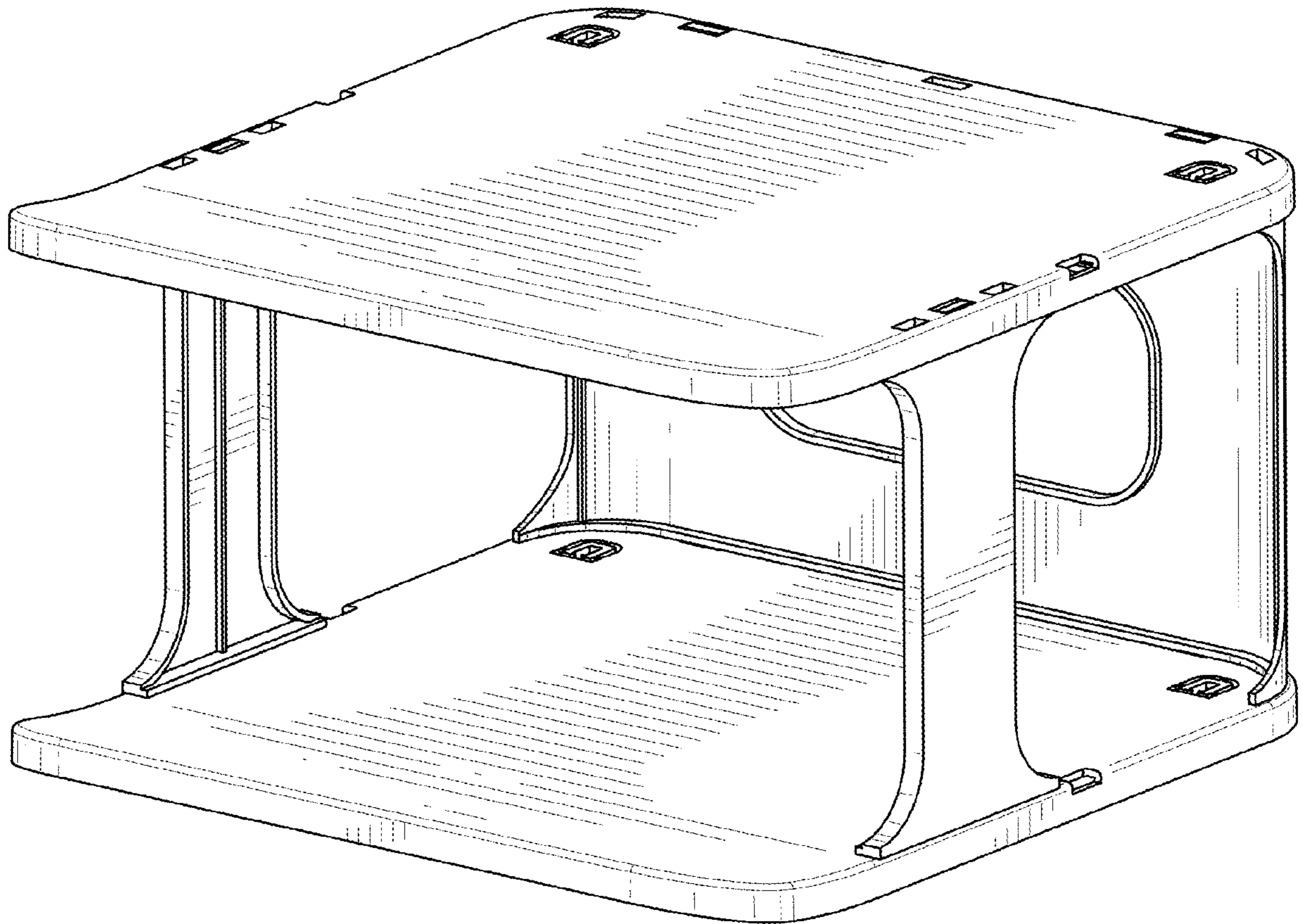


FIG.1

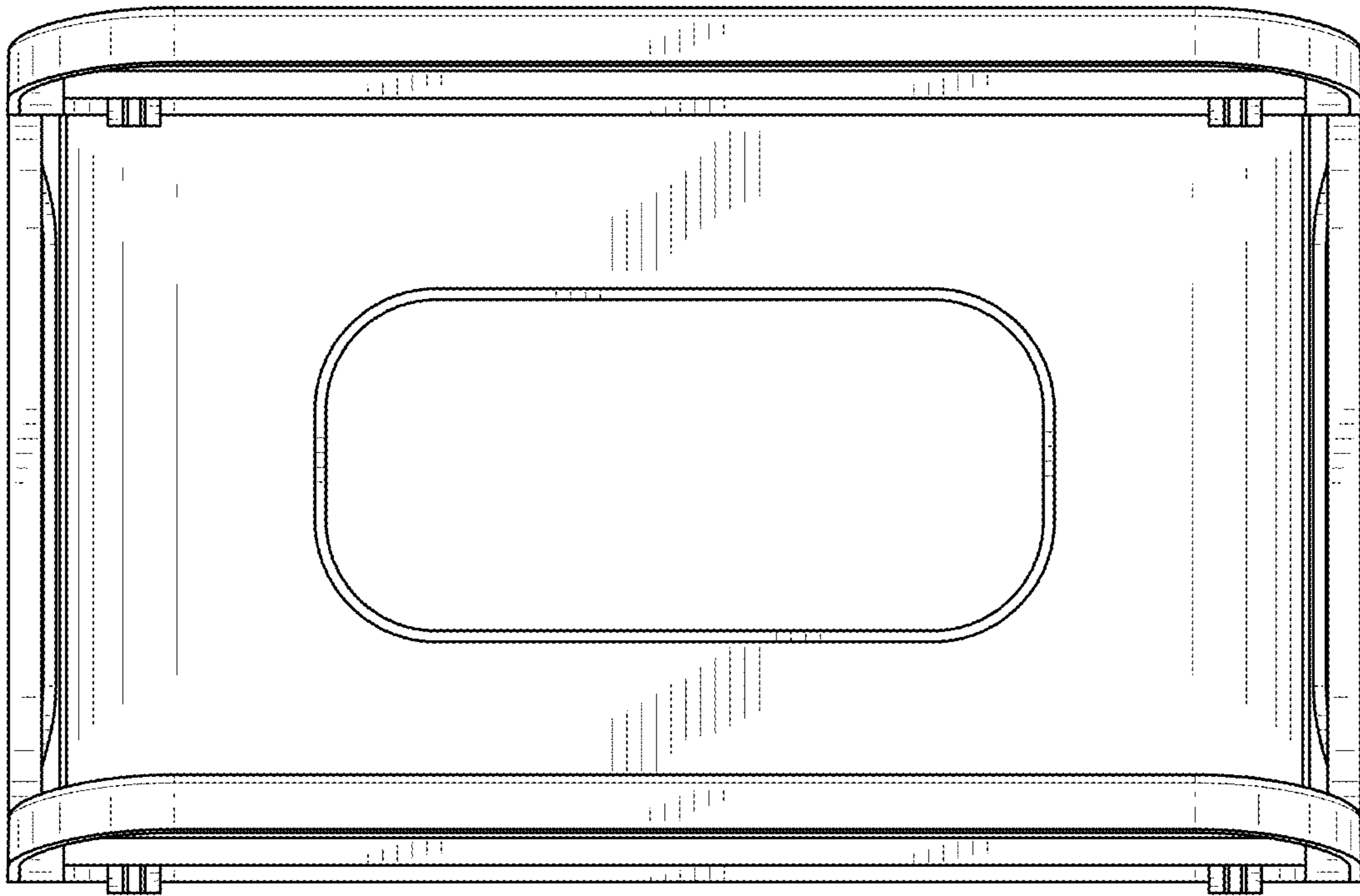


FIG.2

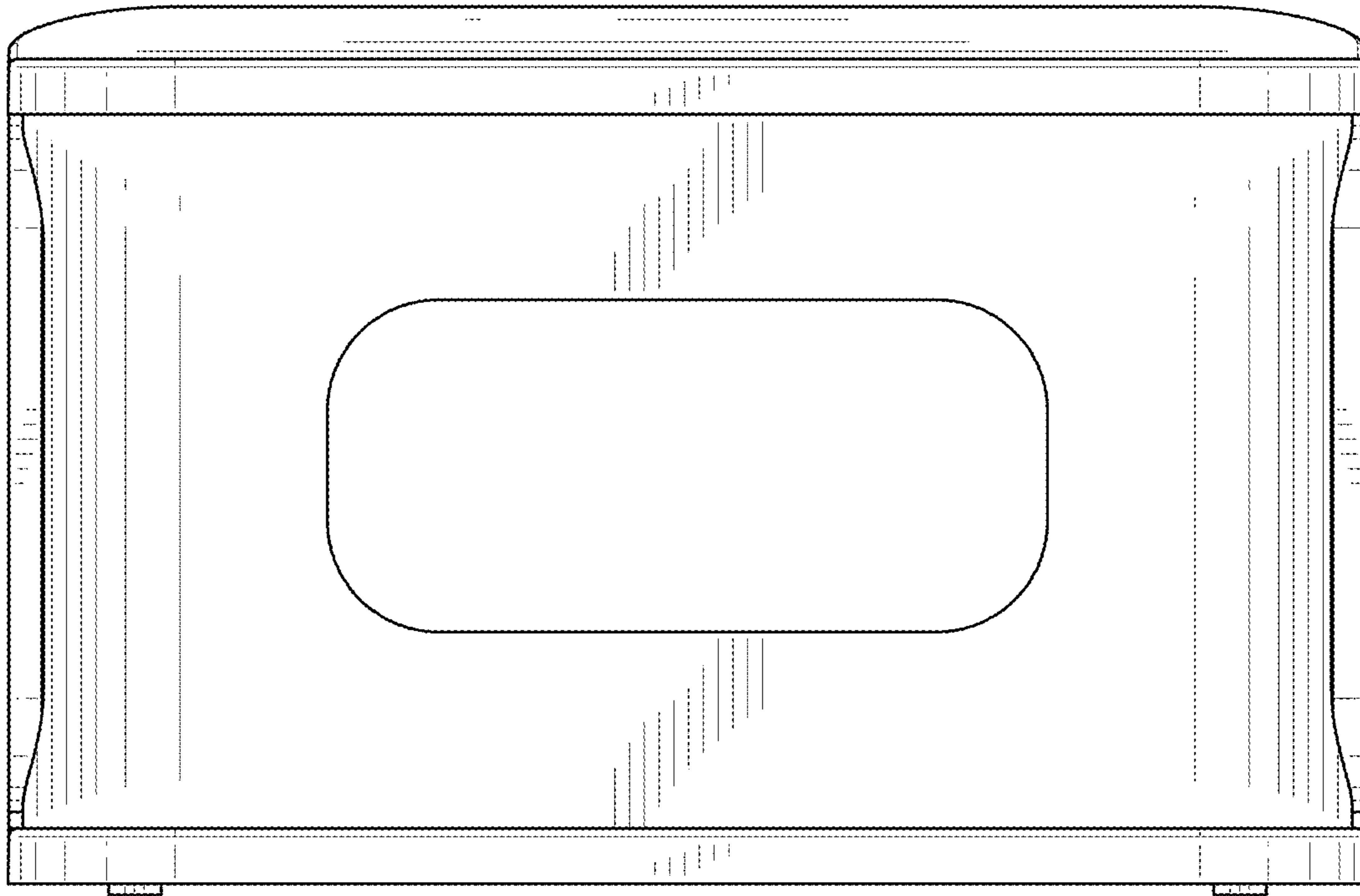


FIG.3

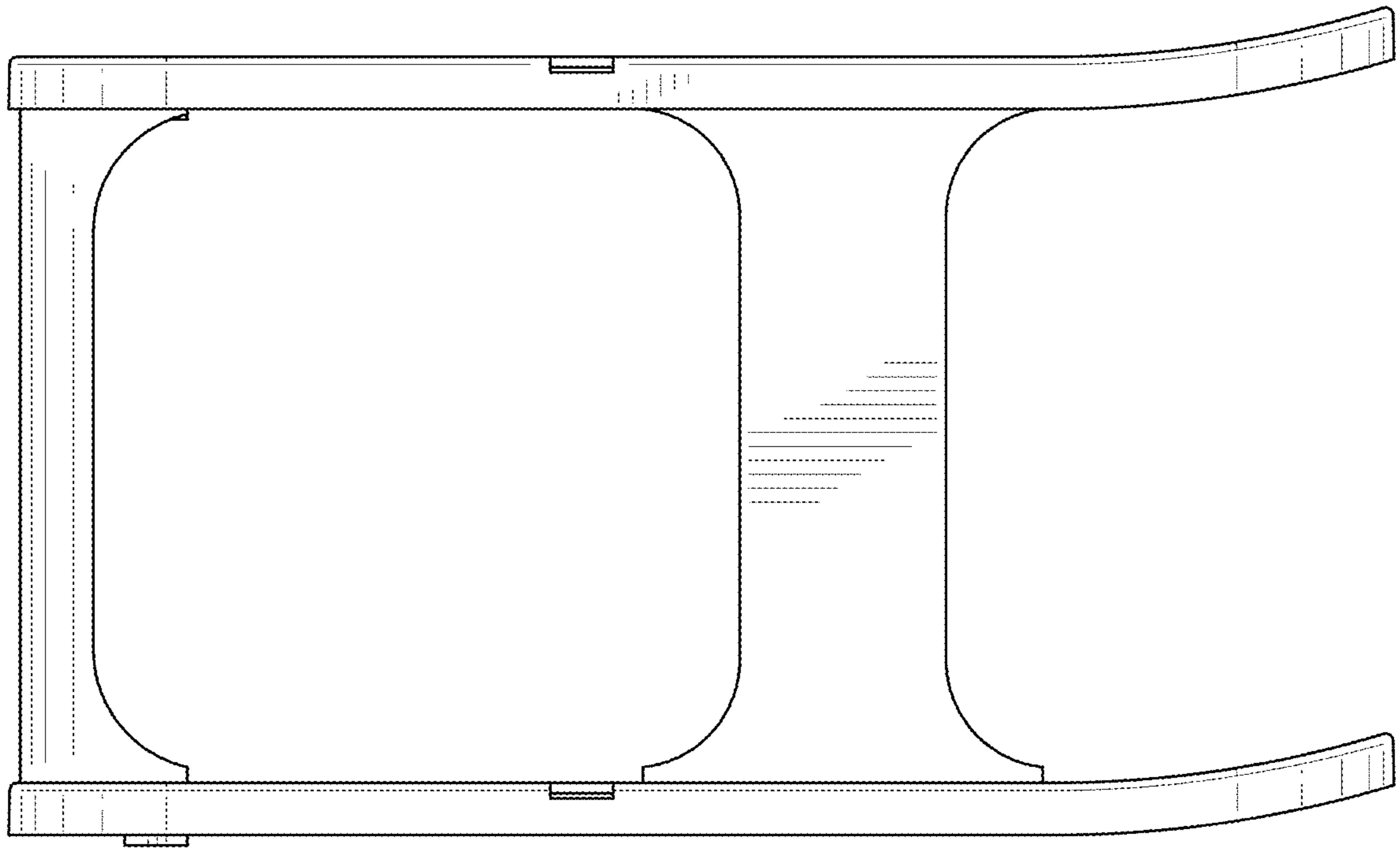


FIG.4

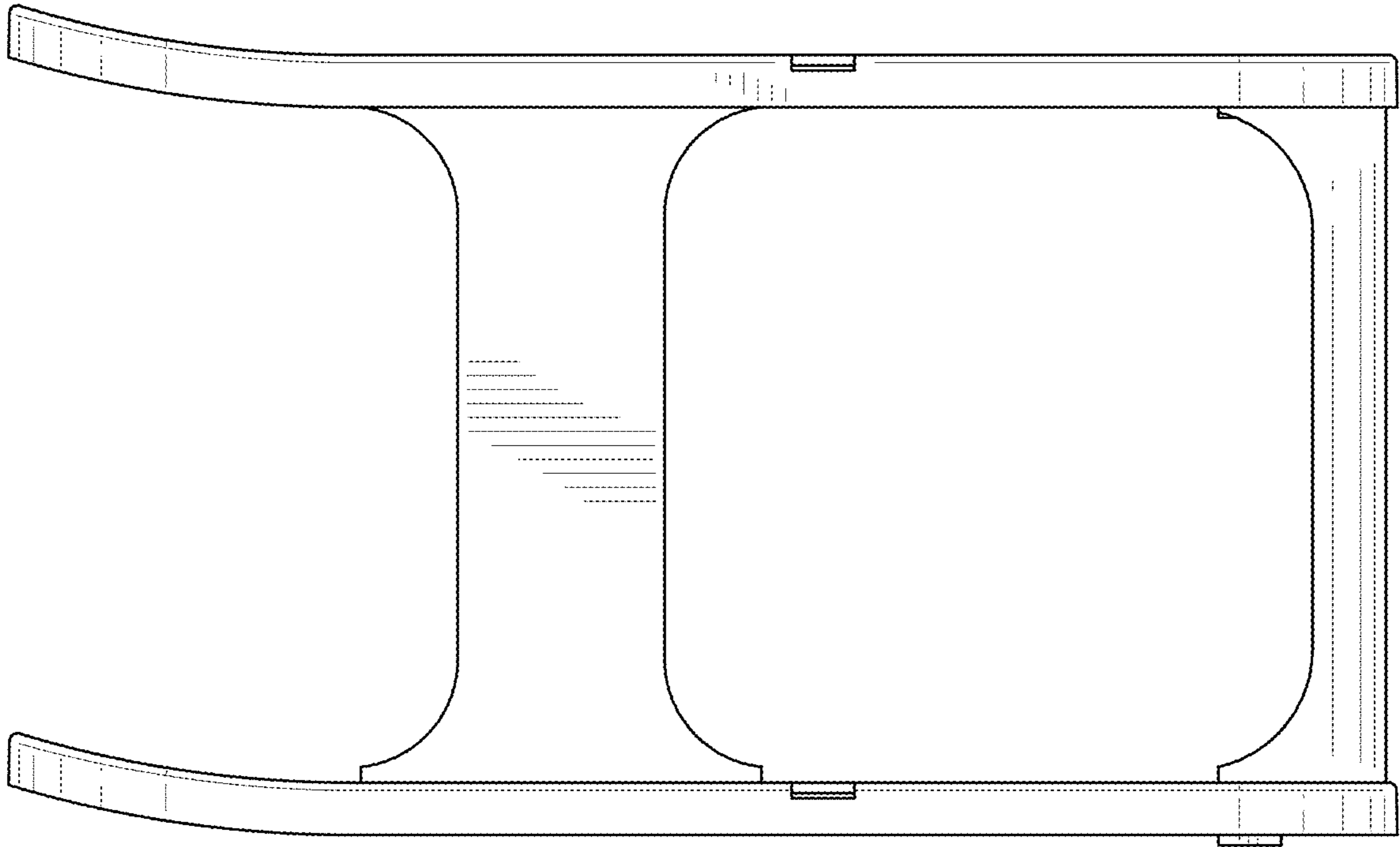


FIG.5

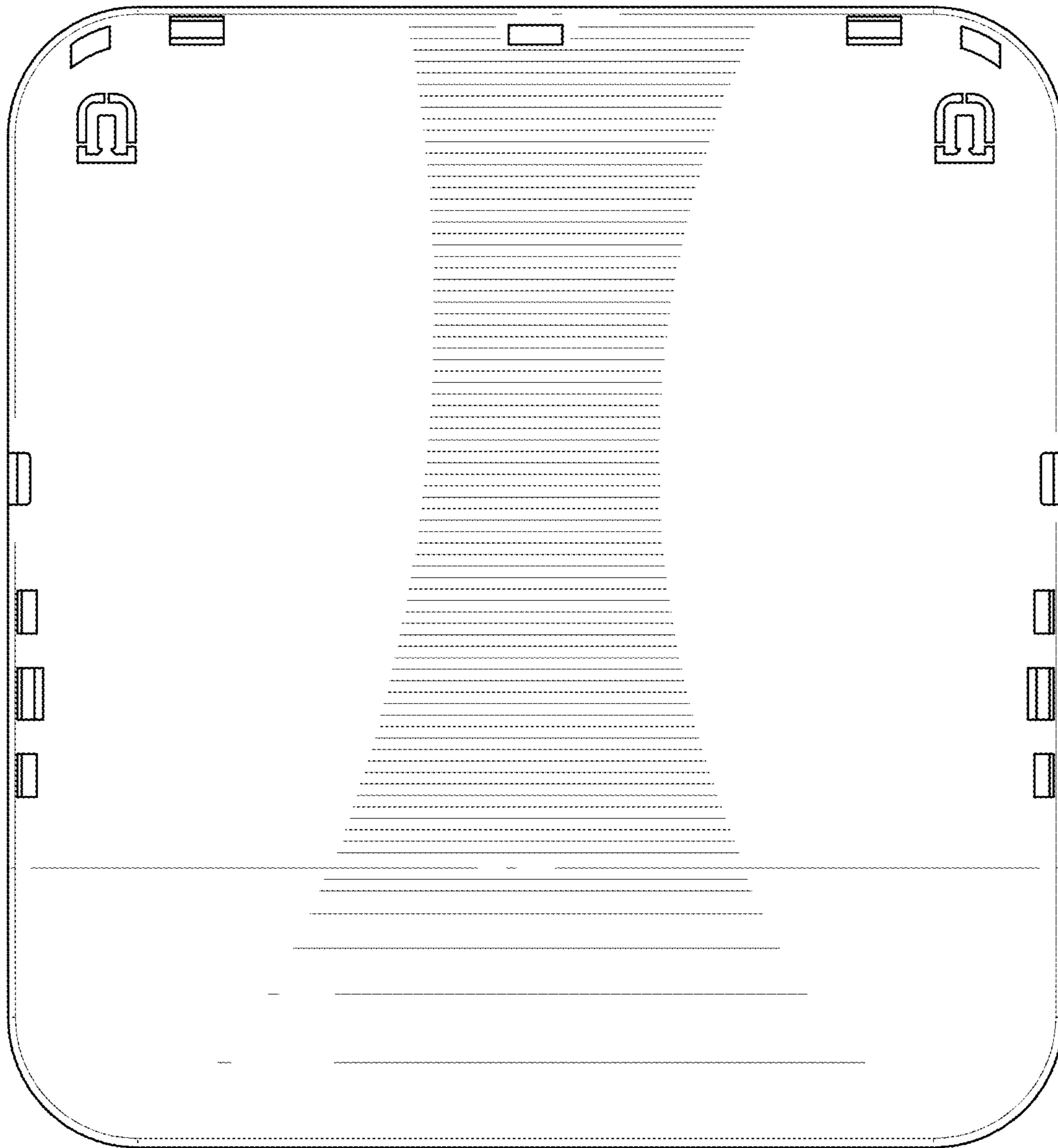


FIG.6

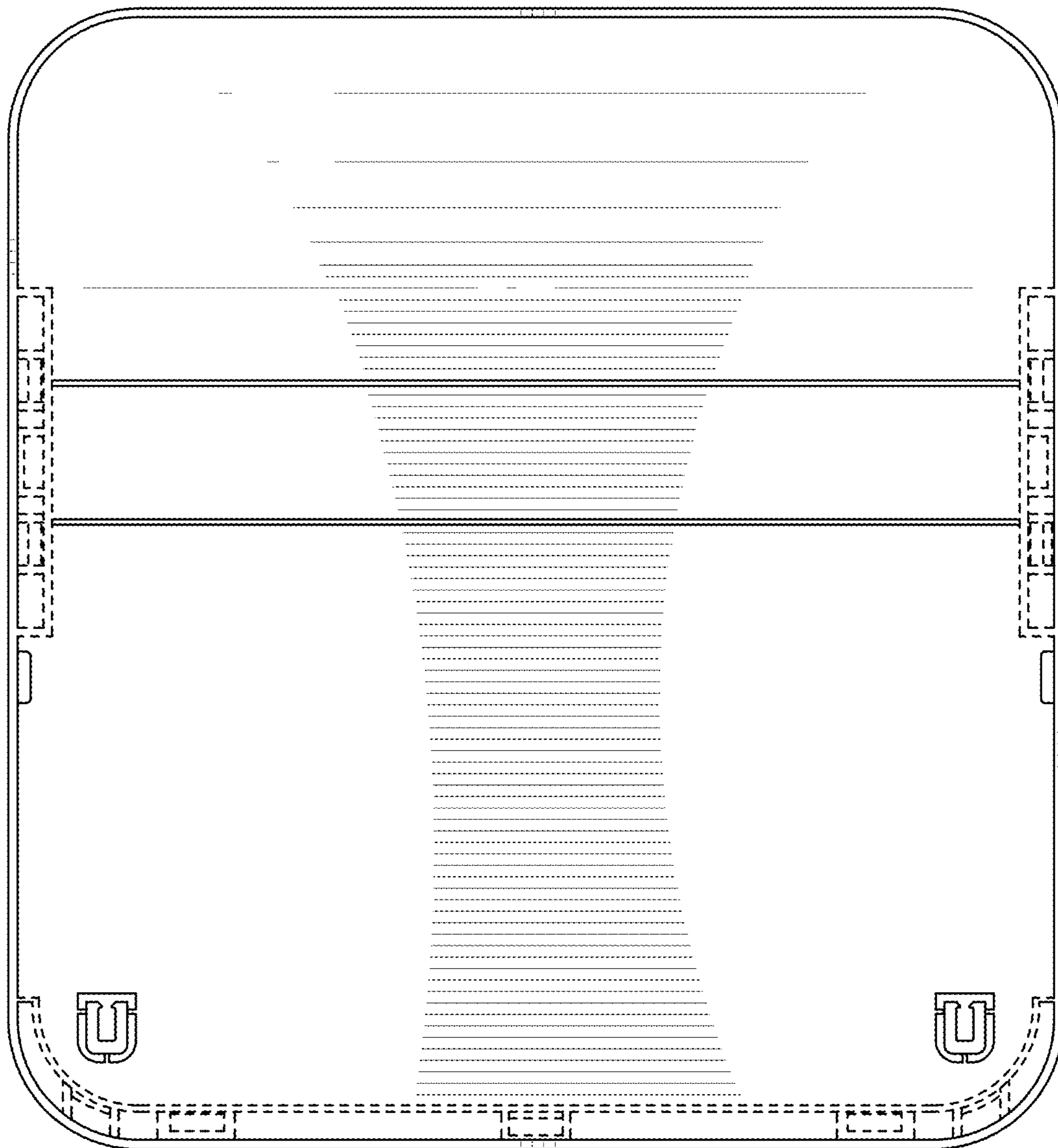


FIG.7