



US00D938760S

(12) **United States Design Patent** (10) **Patent No.:** **US D938,760 S**  
**Shi** (45) **Date of Patent:** **\*\* Dec. 21, 2021**

(54) **LUMBAR PILLOW**  
(71) Applicant: **Chunxia Shi**, Yancheng (CN)  
(72) Inventor: **Chunxia Shi**, Yancheng (CN)  
(\*\*) Term: **15 Years**  
(21) Appl. No.: **29/756,348**

D883,714 S \* 5/2020 Comercio ..... D6/601  
D898,428 S \* 10/2020 Huang ..... D6/601  
D898,434 S \* 10/2020 Ponder ..... D6/601  
D904,074 S \* 12/2020 Yang ..... D6/601  
D905,471 S \* 12/2020 Ou ..... D6/601  
D908,391 S \* 1/2021 Yang ..... D6/601  
D908,392 S \* 1/2021 Despen ..... D6/601  
D909,792 S \* 2/2021 Pound ..... D6/601  
D922,797 S \* 6/2021 Liu ..... D6/601  
D931,012 S \* 9/2021 Ouyang ..... D6/601  
2015/0164727 A1\* 6/2015 Lopez ..... A61G 5/1091  
5/653

(22) Filed: **Oct. 27, 2020**  
(51) **LOC (13) Cl.** ..... **06-09**  
(52) **U.S. Cl.**  
USPC ..... **D6/601**  
(58) **Field of Classification Search**  
USPC ..... D6/582-583, 587-592, 595-609,  
D6/617-622; D21/803-809; D24/183  
CPC ..... A47G 9/00; A47G 2009/001; A47G  
2009/002; A47G 2009/003; A47G 9/10;  
A47G 9/1009; A47G 2009/1018; A47G  
9/1045; A47G 9/1081; A47G 9/109  
See application file for complete search history.

\* cited by examiner

*Primary Examiner* — Jennifer L Rempfer  
(74) *Attorney, Agent, or Firm* — W&KIP

(57) **CLAIM**

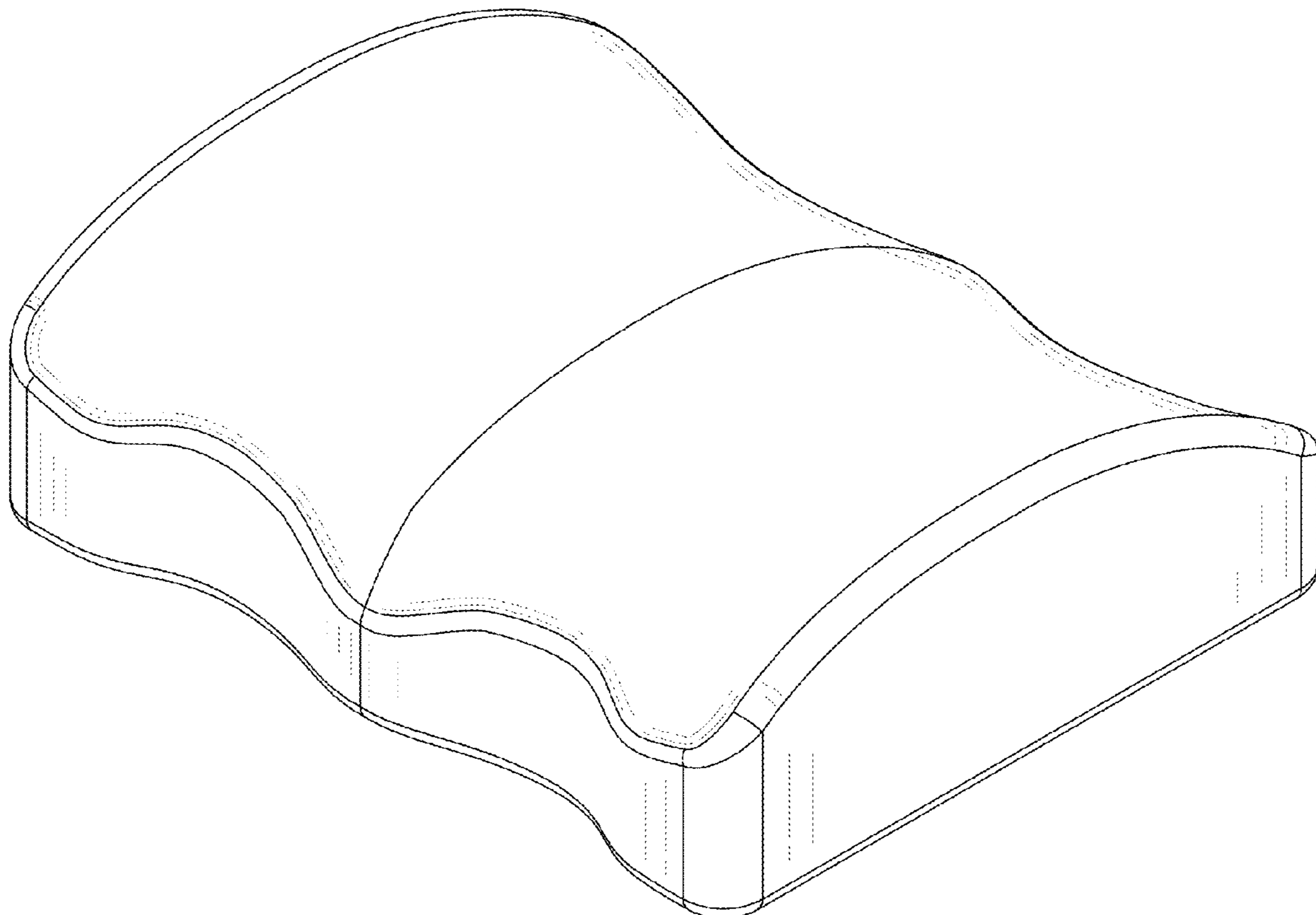
The ornamental design for a lumbar pillow, as shown and described.

**DESCRIPTION**

FIG. 1 is a front view of a lumbar pillow showing my new design;  
FIG. 2 is a rear view thereof;  
FIG. 3 is a left side view thereof;  
FIG. 4 is a right side view thereof;  
FIG. 5 is a top plan view thereof;  
FIG. 6 is a bottom plan view thereof;  
FIG. 7 is a perspective view thereof; and,  
FIG. 8 is another perspective view thereof.

**1 Claim, 6 Drawing Sheets**

(56) **References Cited**  
U.S. PATENT DOCUMENTS  
D410,744 S \* 6/1999 Banister ..... D24/183  
D624,776 S \* 10/2010 Tang ..... D6/601  
D696,047 S \* 12/2013 Marinkovic ..... D6/601  
D701,710 S \* 4/2014 Martinez ..... D6/601  
D707,358 S \* 6/2014 Mantilla ..... D24/184  
D808,194 S \* 1/2018 Wyborn ..... D6/601



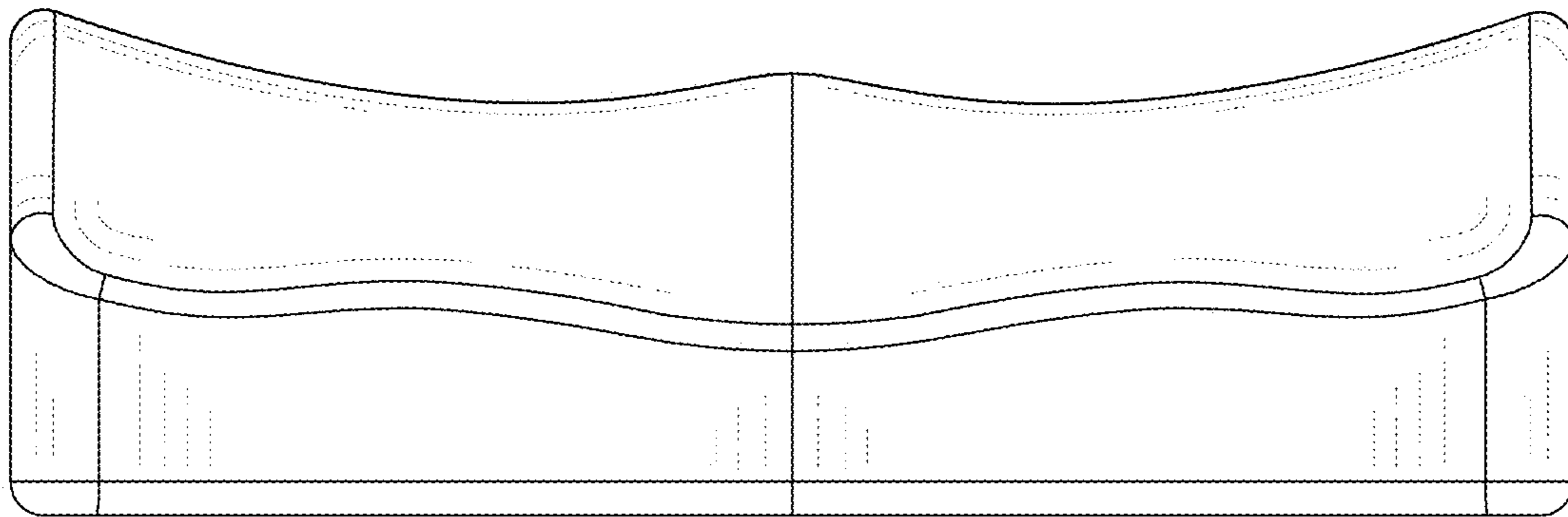


FIG. 1

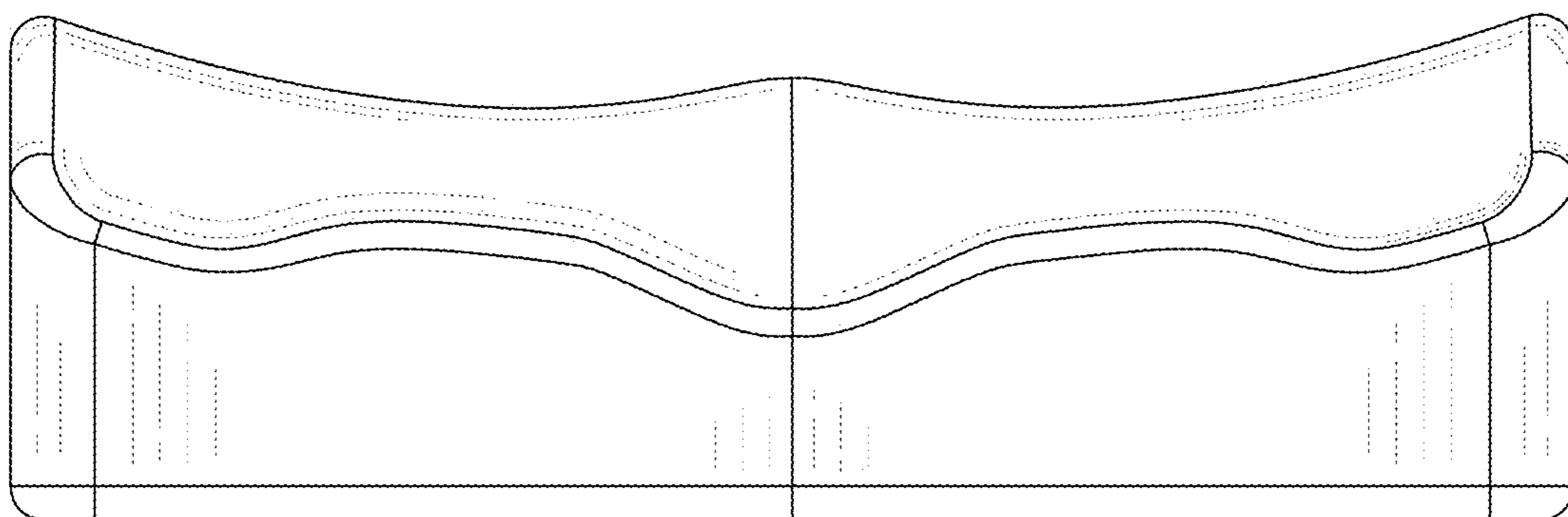


FIG. 2

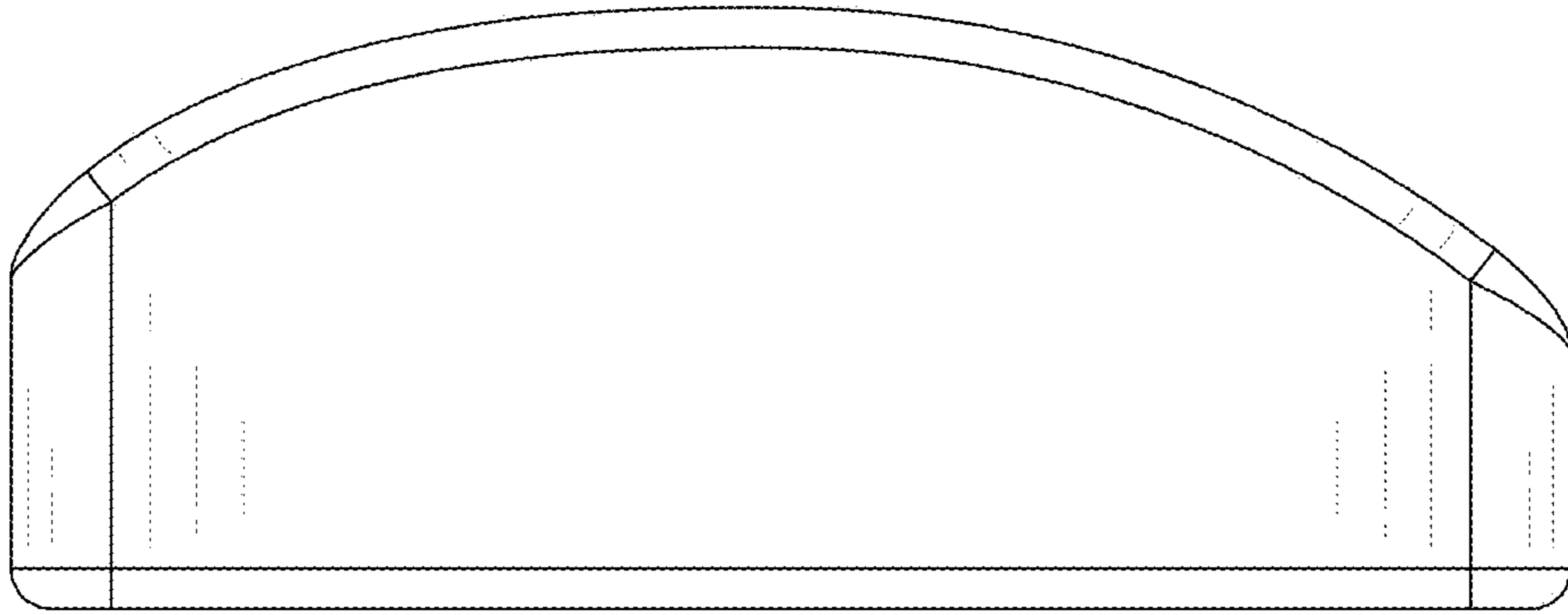


FIG. 3

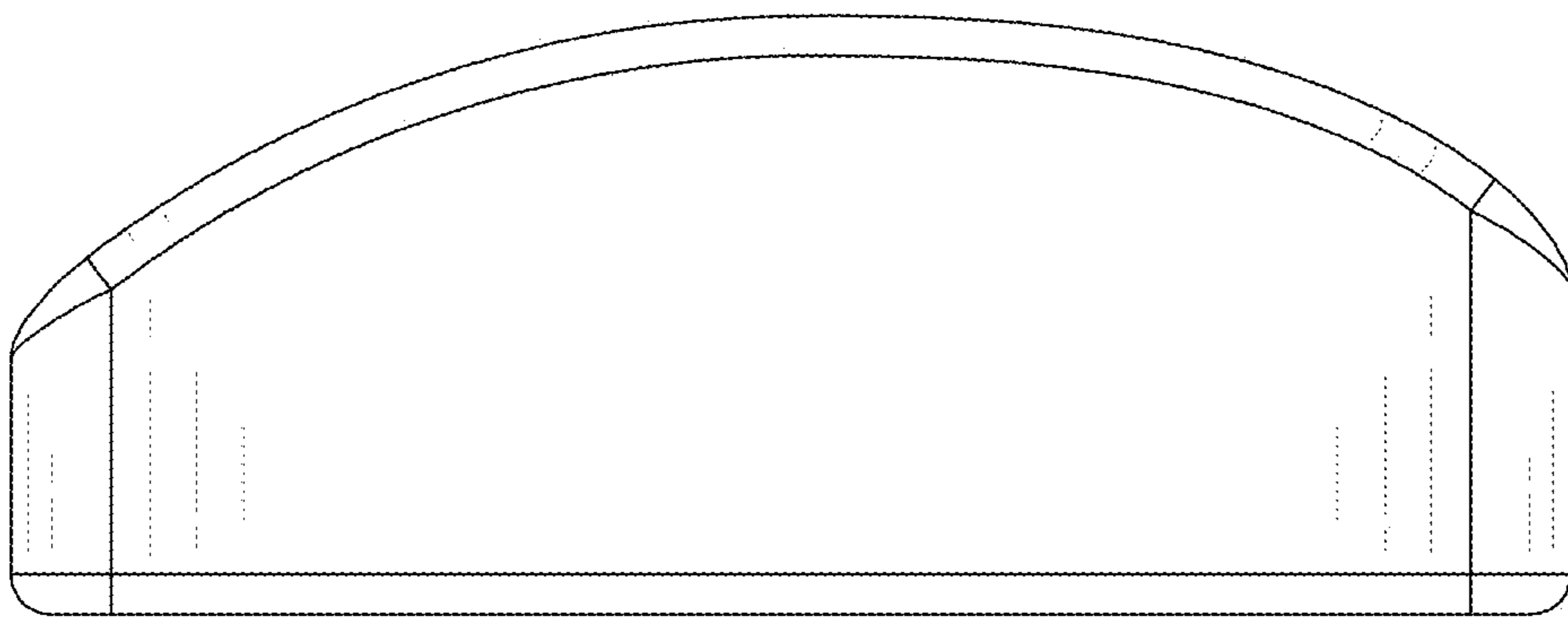


FIG. 4

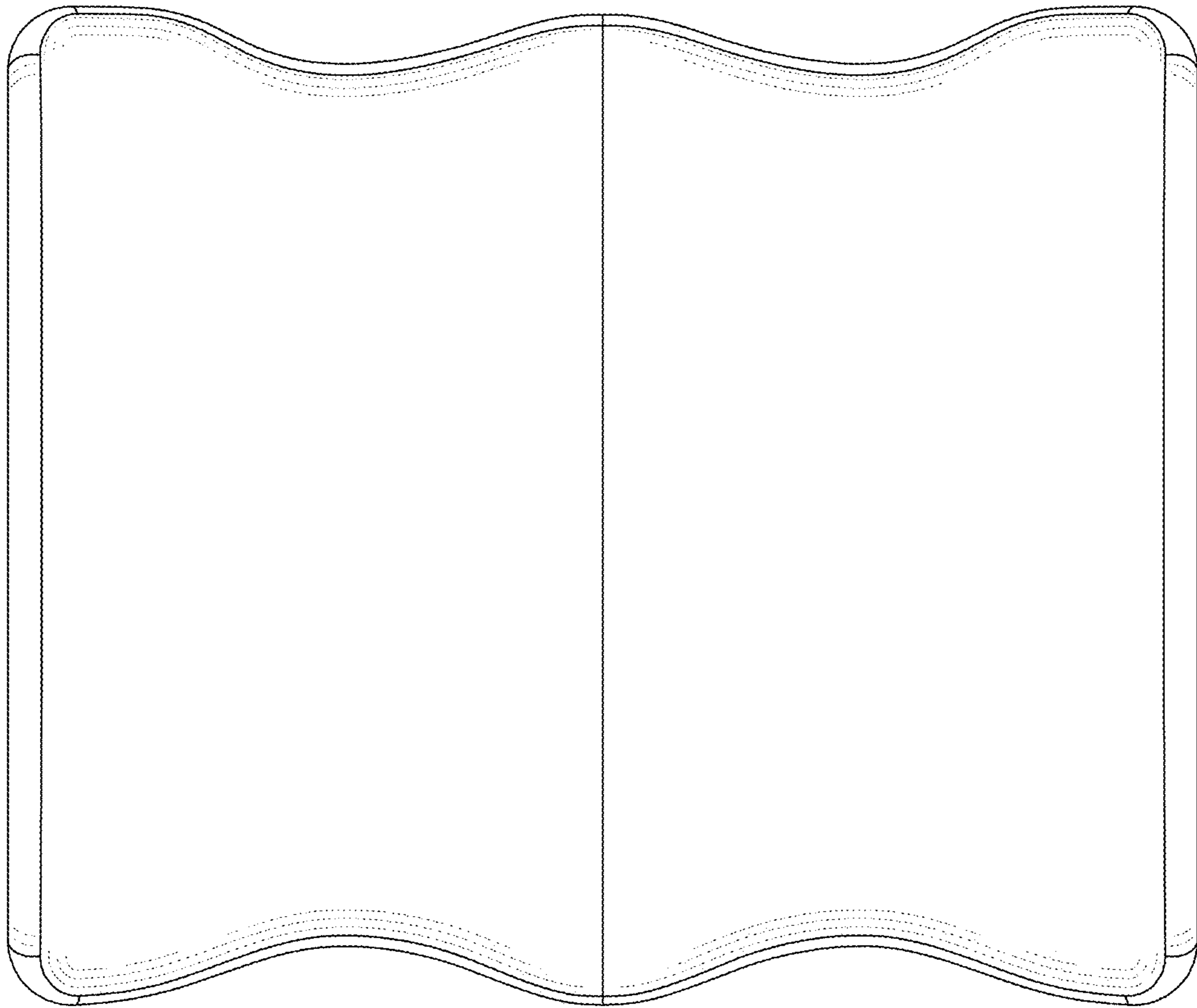


FIG. 5

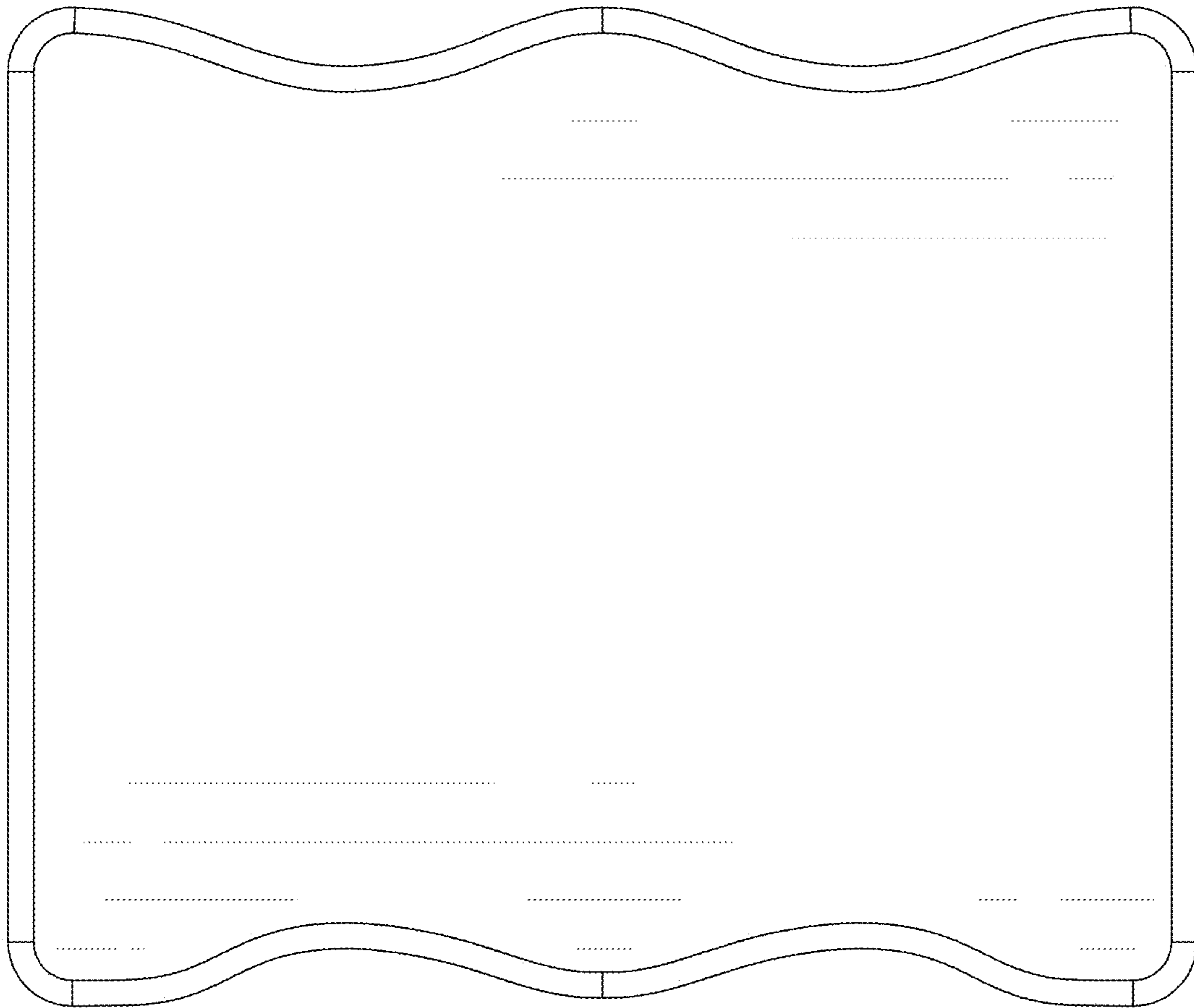


FIG. 6

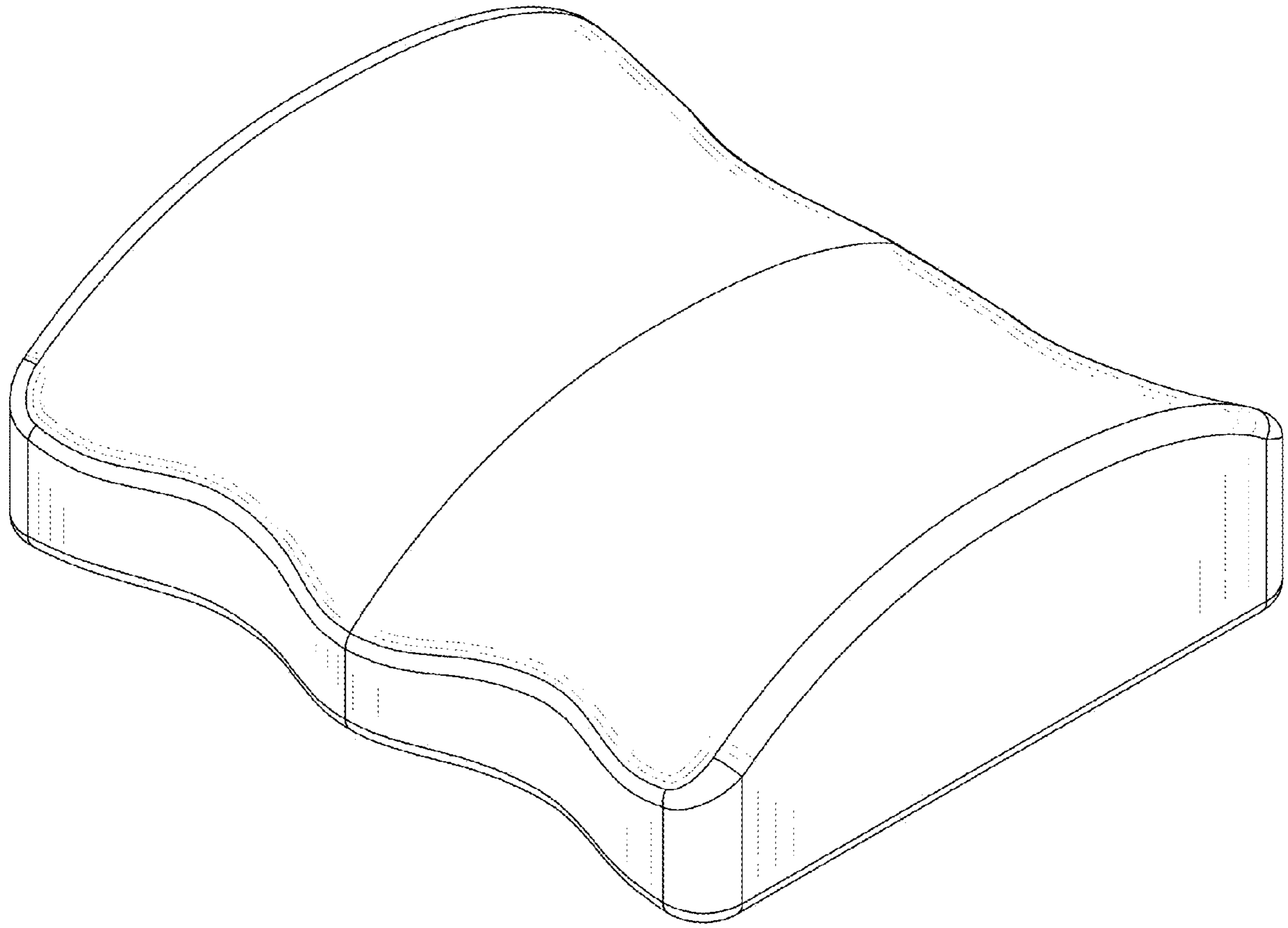


FIG. 7

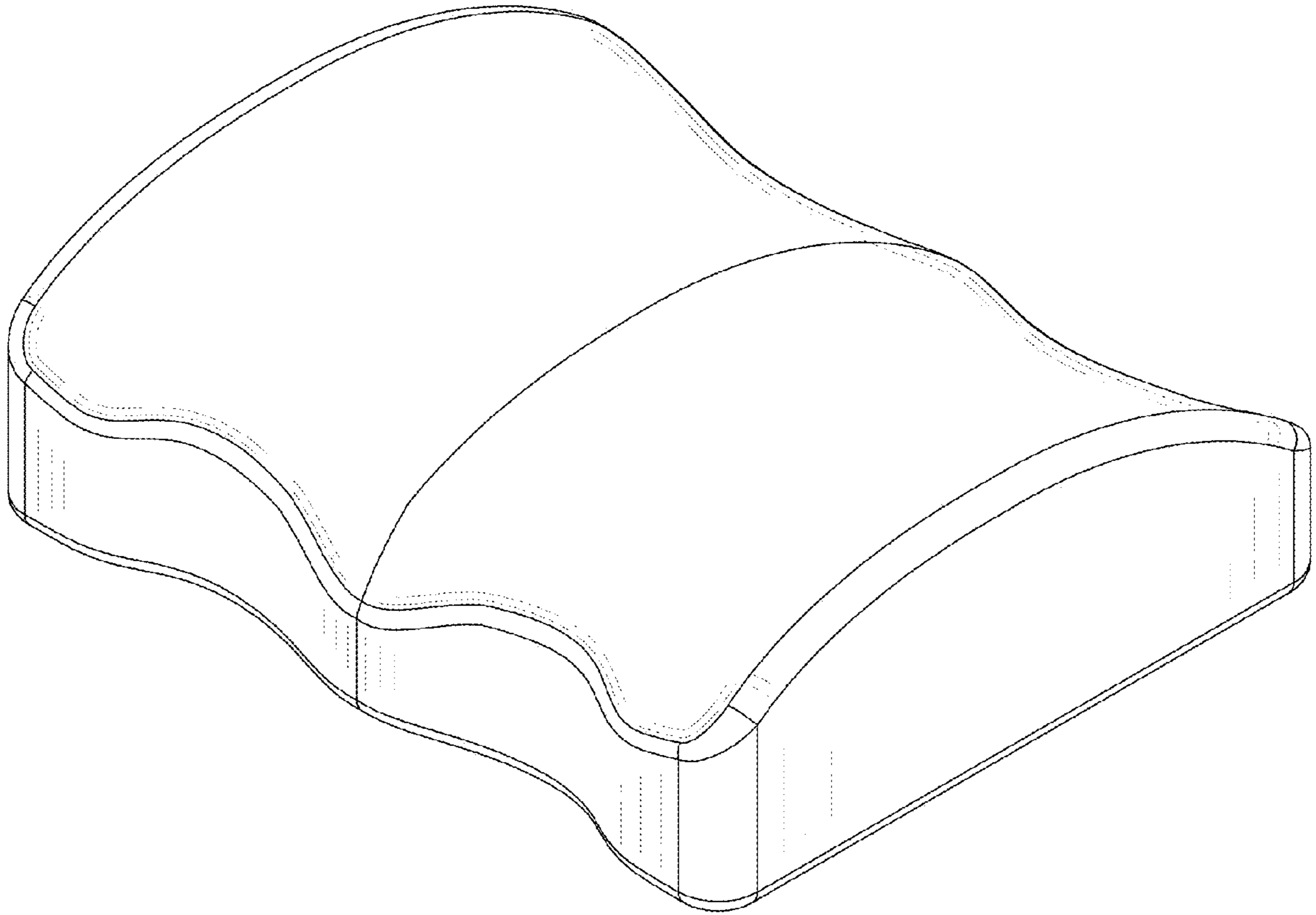


FIG. 8