



US00D938759S

(12) **United States Design Patent** (10) **Patent No.:** **US D938,759 S**  
**Guan** (45) **Date of Patent:** **\*\* Dec. 21, 2021**

(54) **MATRIX PILLOW**  
(71) Applicant: **Jing Guan**, Dover, DE (US)  
(72) Inventor: **Jing Guan**, Dover, DE (US)  
(73) Assignee: **SLEEPX INC.**, Dover, DE (US)  
(\*\*) Term: **15 Years**

(21) Appl. No.: **29/745,610**

(22) Filed: **Aug. 7, 2020**

(51) **LOC (13) Cl.** ..... **06-09**

(52) **U.S. Cl.**  
USPC ..... **D6/601**

(58) **Field of Classification Search**  
USPC ..... D6/582-583, 587-592, 595-609,  
D6/617-622; D21/803-809; D24/183  
CPC ..... A47G 9/00; A47G 2009/001; A47G  
2009/002; A47G 2009/003; A47G 9/10;  
A47G 9/1009; A47G 2009/1018; A47G  
9/1045; A47G 9/1081; A47G 9/109  
See application file for complete search history.

(56) **References Cited**

**U.S. PATENT DOCUMENTS**

D329,566 S \* 9/1992 Davidson, Jr. .... D6/601  
5,960,497 A \* 10/1999 Castellino ..... A47C 27/146  
5/665

D529,326 S \* 10/2006 Martin ..... D6/601  
D751,322 S \* 3/2016 Reynolds ..... D6/601  
D758,101 S \* 6/2016 Mason ..... D6/601  
D818,290 S \* 5/2018 Facco ..... D6/601  
D876,125 S \* 2/2020 Bellot ..... D6/601  
10,646,049 B2 \* 5/2020 Sprouse, II ..... A47C 7/021  
D898,442 S \* 10/2020 Bellot ..... D6/601  
D909,092 S \* 2/2021 Pearce ..... D6/601  
2004/0019972 A1 \* 2/2004 Schecter ..... A47G 9/10  
5/645  
2013/0055503 A1 \* 3/2013 Huang ..... A47C 7/746  
5/652.1  
2020/0037796 A1 \* 2/2020 Reissi ..... A47G 9/10

\* cited by examiner

*Primary Examiner* — Jennifer L Rempfer

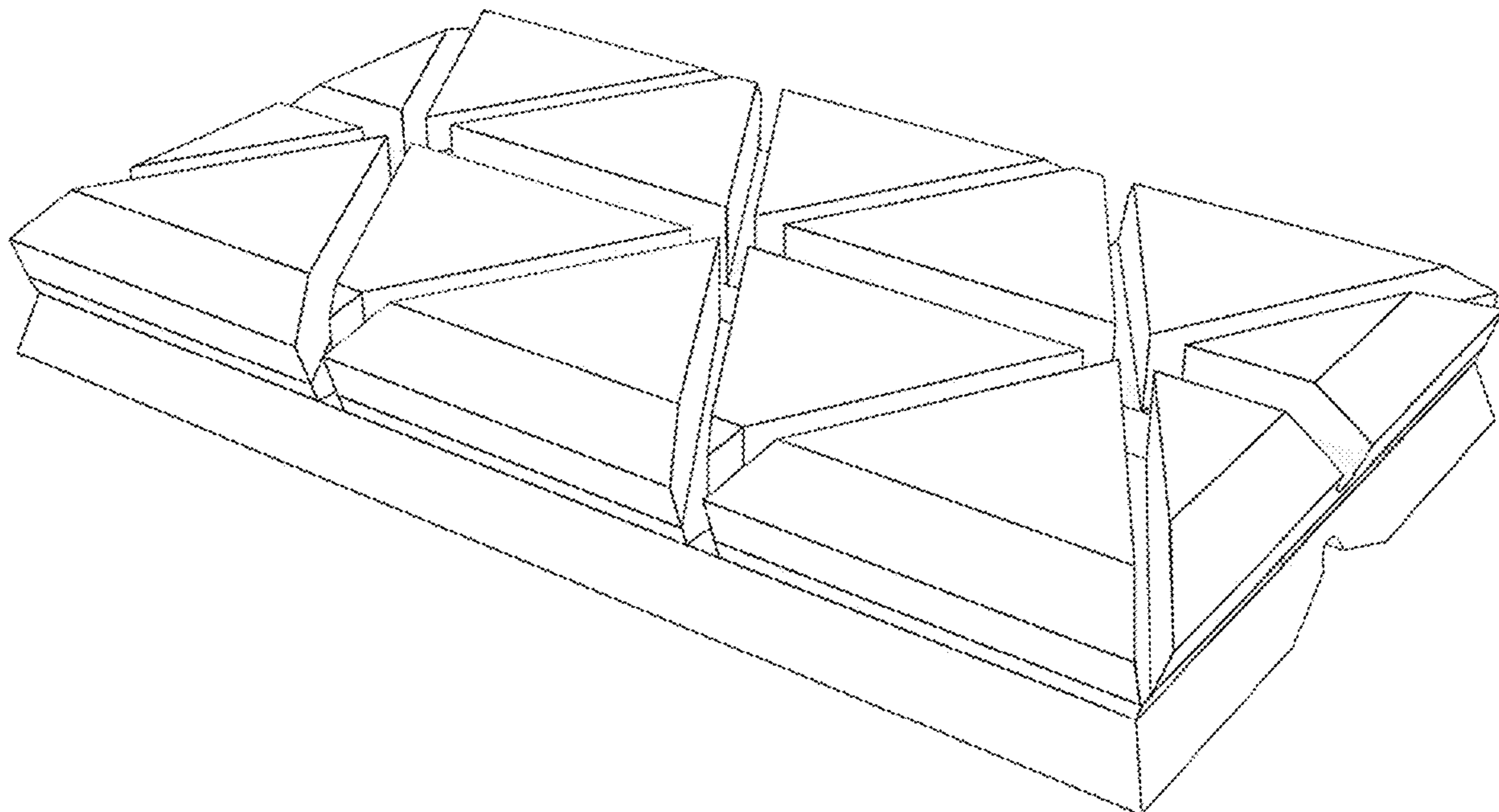
(57) **CLAIM**

The ornamental design for a matrix pillow, as shown and described.

**DESCRIPTION**

FIG. 1 is a perspective view of a matrix pillow showing my new design;  
FIG. 2 is a front elevational view thereof, the rear elevational view being a mirror image of the front elevational view;  
FIG. 3 is a left side elevational view thereof, the right side elevational view being a mirror image of the left side elevational view;  
FIG. 4 is a top plan view thereof; and,  
FIG. 5 is a bottom plan view thereof.

**1 Claim, 5 Drawing Sheets**



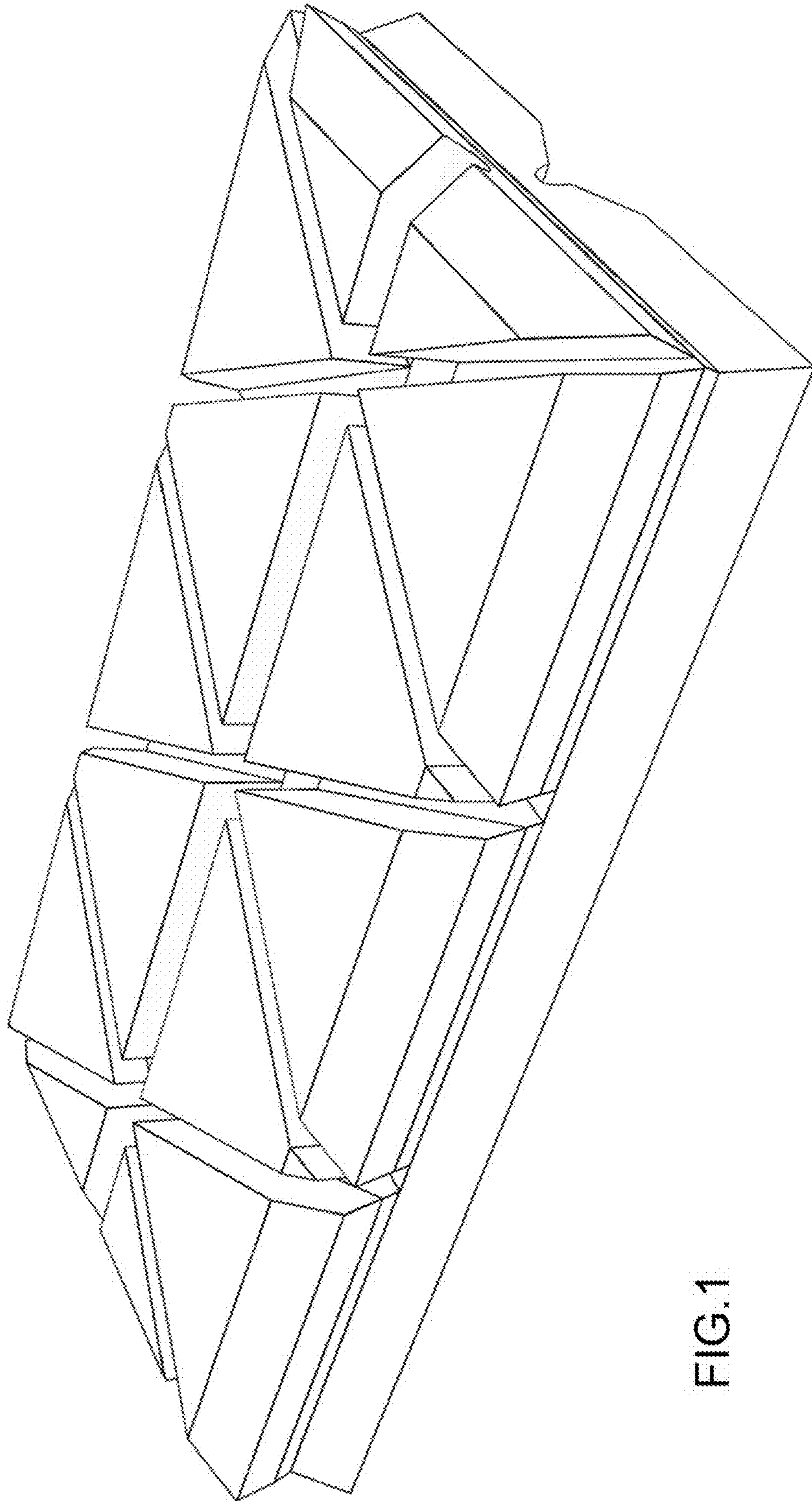


FIG.1

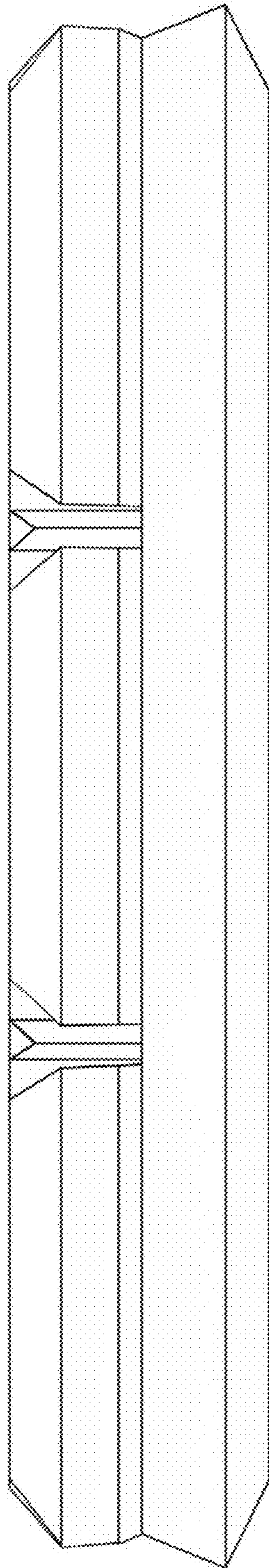


FIG.2

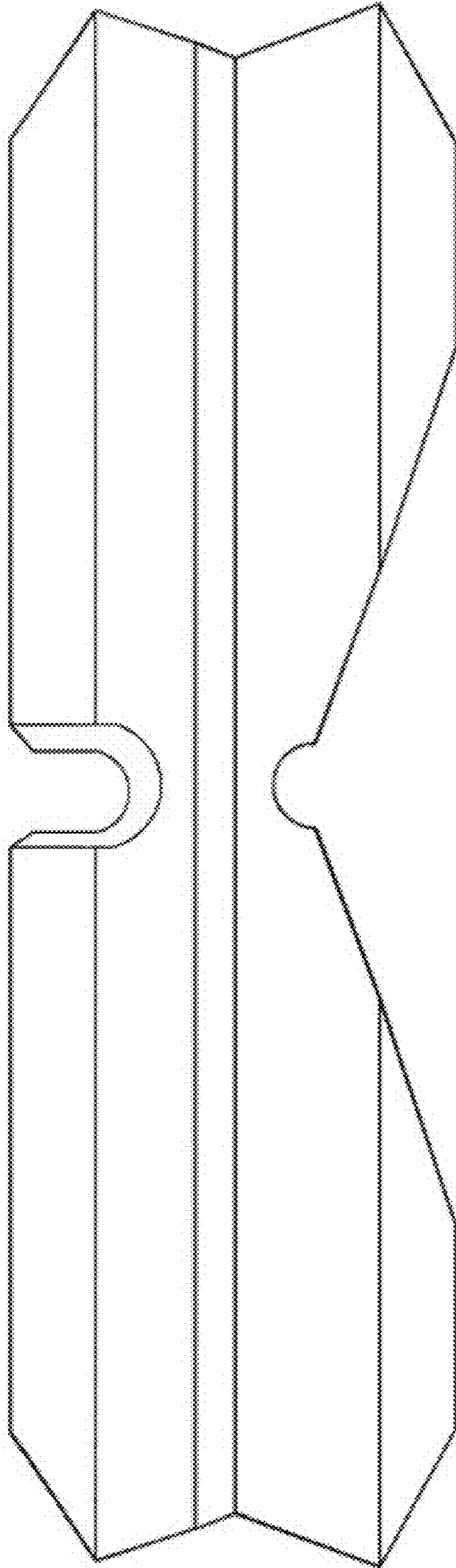


FIG. 3

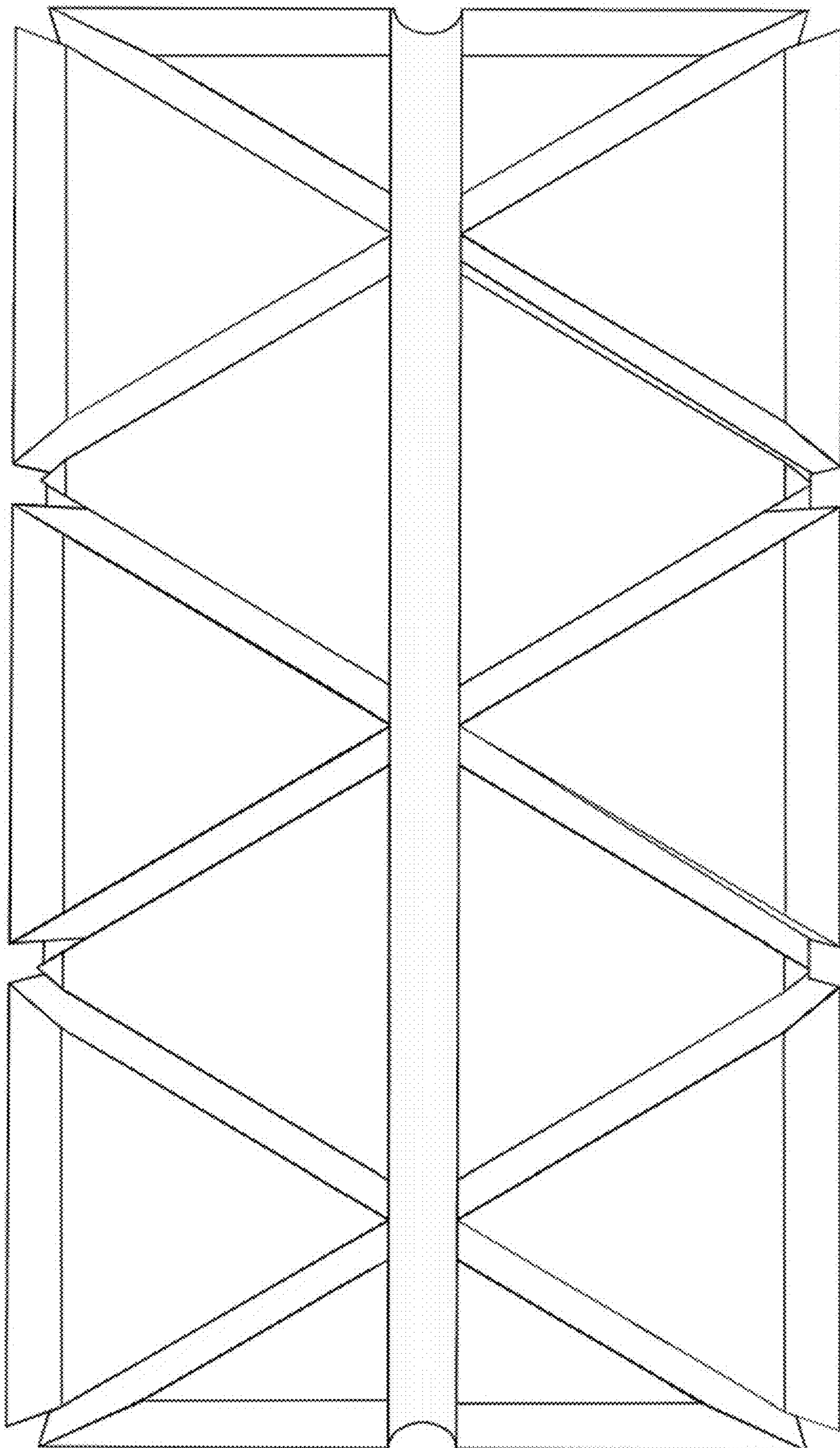


FIG.4

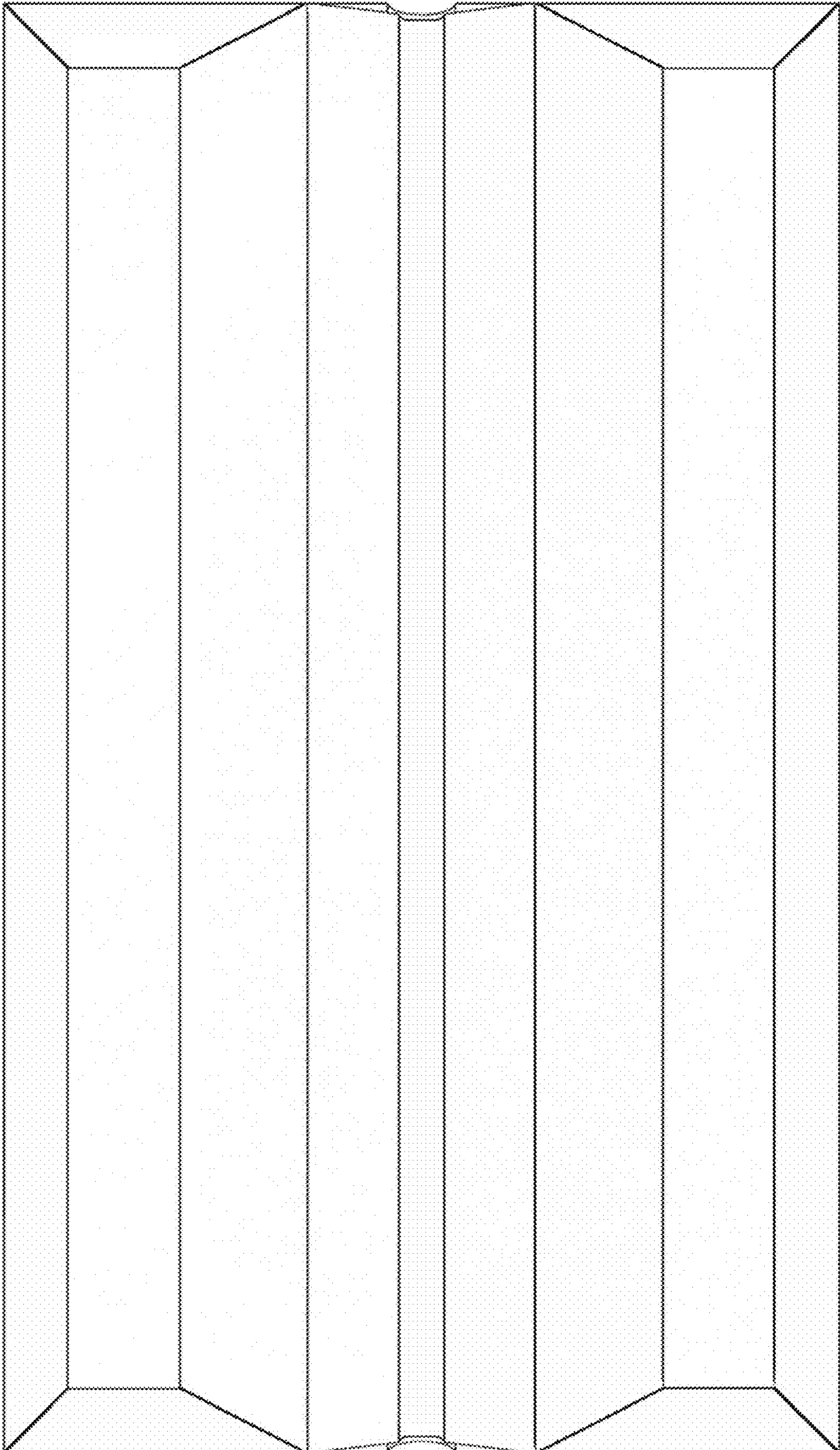


FIG.5